



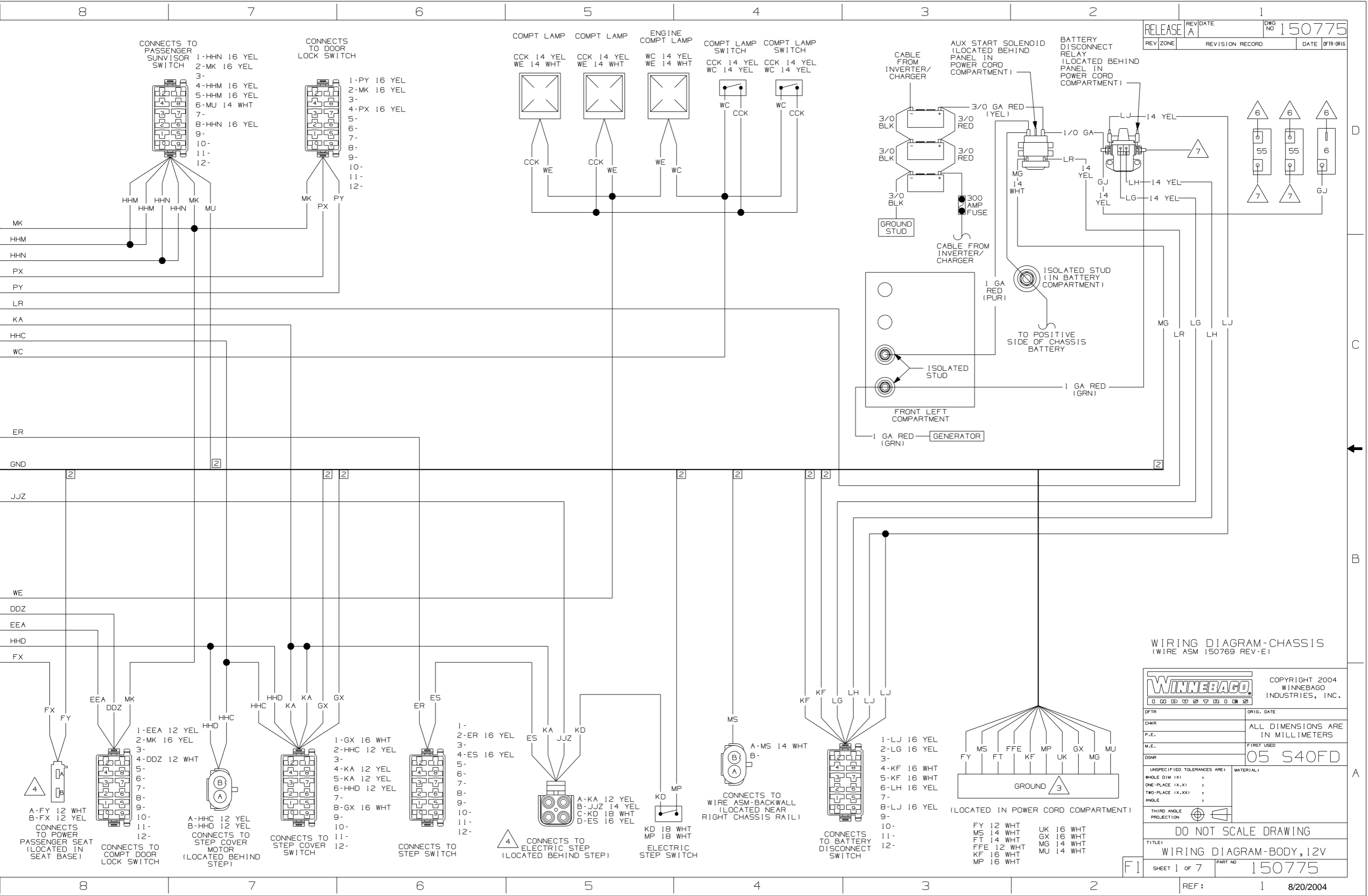
DANGER

Danger of electrical shock, burns or death. Always remove all power sources before attempting any repair, service or diagnostic work. Power can be present from shore power, generator, inverter or battery. All power sources must be disabled and secured before performing any service.



CAUTION

If you lack the skills, tools or equipment to perform diagnostic or repair work leave such work to an authorized Winnebago Industries dealer or other qualified shop.

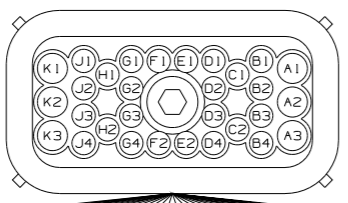


WIRING DIAGRAM-CHASSIS
 (WIRE ASM 150769 REV-E)

WINNEBAGO		COPYRIGHT 2004 WINNEBAGO INDUSTRIES, INC.	
DFTR	ORIG. DATE	ALL DIMENSIONS ARE IN MILLIMETERS	
CHRR		FIRST USED	
P.E.		05 S40FD	
M.E.		UNSPECIFIED TOLERANCES ARE:	
DSNR		MATERIAL:	
WHOLE DIM (X)		:	
ONE-PLACE (X,X)		:	
TWO-PLACE (X,XX)		:	
ANGLE		:	
THIRD ANGLE PROJECTION			
DO NOT SCALE DRAWING			
TITLE: WIRING DIAGRAM-BODY, 12V			
SHEET 1 OF 7		PART NO 150775	

5 CONNECTS TO WIRE ASM-IP MAIN (LOCATED ON FRONT LEFT COMPT)

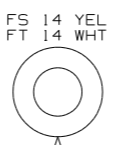
- A1-AAX 16 WHT
- A2-HHC 12 YEL
- A3-FS 14 YEL
- B1-BBM 16 YEL
- B2-BBN 16 YEL
- B3-CCY 16 YEL
- B4-KKK 16 YEL
- C1-DDA 16 YEL
- C2-HHM 16 YEL
- D1-LL 16 WHT



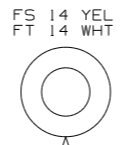
- D2-LM 16 WHT
- D3-LN 16 WHT
- D4-HU 16 YEL
- E1-MM 14 YEL
- E2-WC 16 YEL
- F1-MK 16 YEL
- F2-LR 14 YEL
- G1-DL 16 YEL
- G2-DM 16 WHT
- G3-DJ 16 YEL

- G4-DK 16 WHT
- H1-HHN 16 YEL
- H2-PX 16 YEL
- J1-PJ 16 YEL
- J2-JJZ 14 YEL
- J3-ER 16 YEL
- J4-PY 16 YEL
- K1-FFD 12 YEL
- K2-KA 12 YEL
- K3-AAW 16 YEL

LEFT SIDE DOCKING LAMP
FS 14 YEL
FT 14 WHT



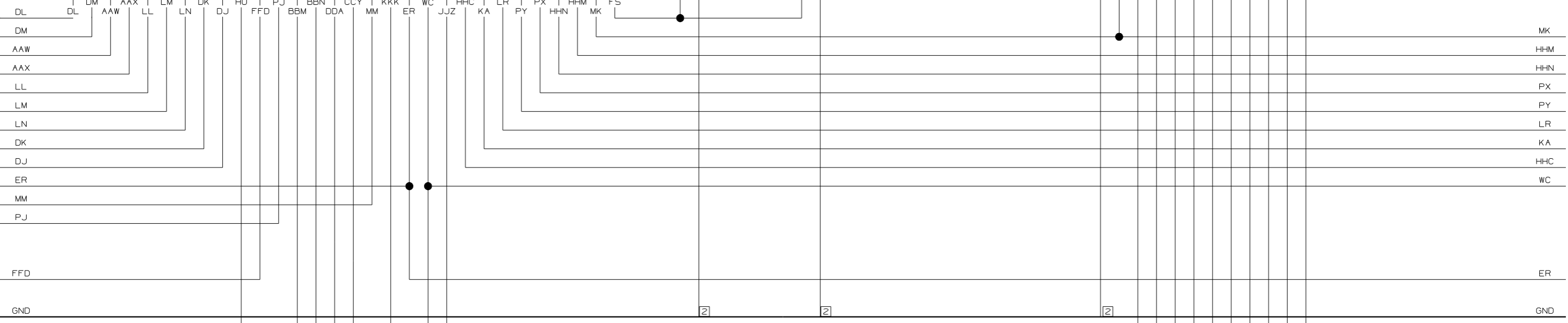
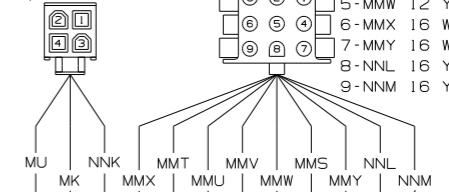
RIGHT SIDE DOCKING LAMP
FS 14 YEL
FT 14 WHT



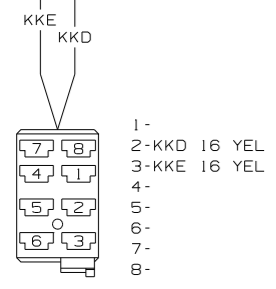
CONNECTS TO KEYLESS ENTRY TOUCH PAD
1-MK 16 YEL
2-MU 16 WHT
3-NNK 16 YEL
4-

CONNECTS TO HEATER/AC CONTROLS

- 1-MMS 12 YEL
- 2-MMT 12 YEL
- 3-MMU 12 YEL
- 4-MMV 12 YEL
- 5-MMW 12 YEL
- 6-MMX 16 WHT
- 7-MMY 16 WHT
- 8-NNL 16 YEL
- 9-NNM 16 YEL

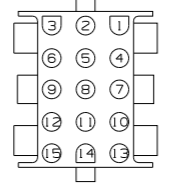


- JJT
- KKL
- BBM
- BBN
- DDA
- CCY
- HHF
- KKK
- HHE
- WC
- WE
- DDU
- DDW
- DDV



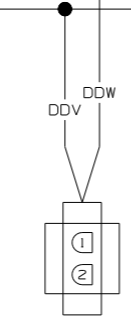
- 1- 2-KKD 16 YEL
- 2- 3-KKE 16 YEL
- 3- 4-
- 4- 5-
- 5- 6-
- 6- 7-
- 7- 8-

CONNECTS TO LP VALVE SWITCH

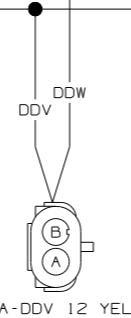


CONNECTS TO WIRE ASM-COACH (SHT 2, A-17) (LOCATED IN BED BASE)

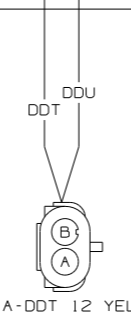
- 1-BBM 16 YEL
- 2-BBN 16 YEL
- 3-DDA 16 YEL
- 4-CCY 16 YEL
- 5-KKK 16 YEL
- 6-HHE 16 YEL
- 7-HHF 16 YEL
- 8-KKL 16 YEL
- 9-WC 16 YEL
- 10-WE 14 WHT
- 11-DDT 12 YEL
- 12-DDU 12 WHT
- 13-DDV 12 YEL
- 14-DDW 12 WHT
- 15-JJT 14 YEL



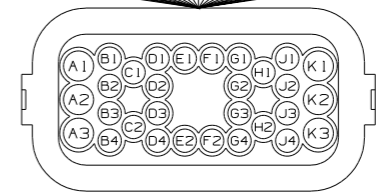
1-DDV 12 YEL
2-DDW 12 WHT
CONNECTS TO WIRE ASM-LOCK, COMPT DOORS (SHT 6, A-2) (LOCATED ON COMPT DOOR)



A-DDV 12 YEL
B-DDW 12 WHT
CONNECTS TO WIRE ASM-LOCK, COMPT DOORS (SHT 6, A-4) (LOCATED ON COMPT DOOR)

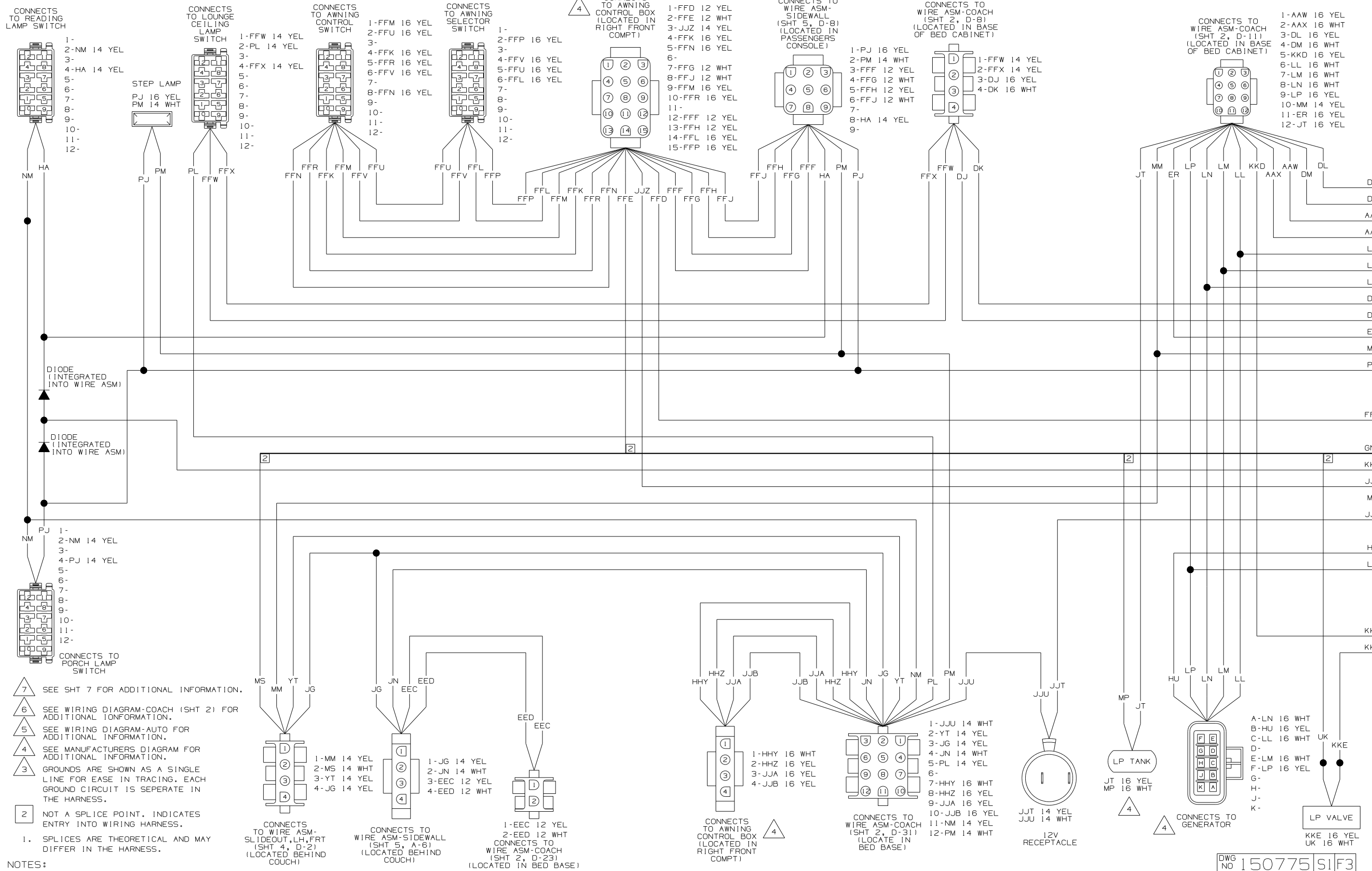


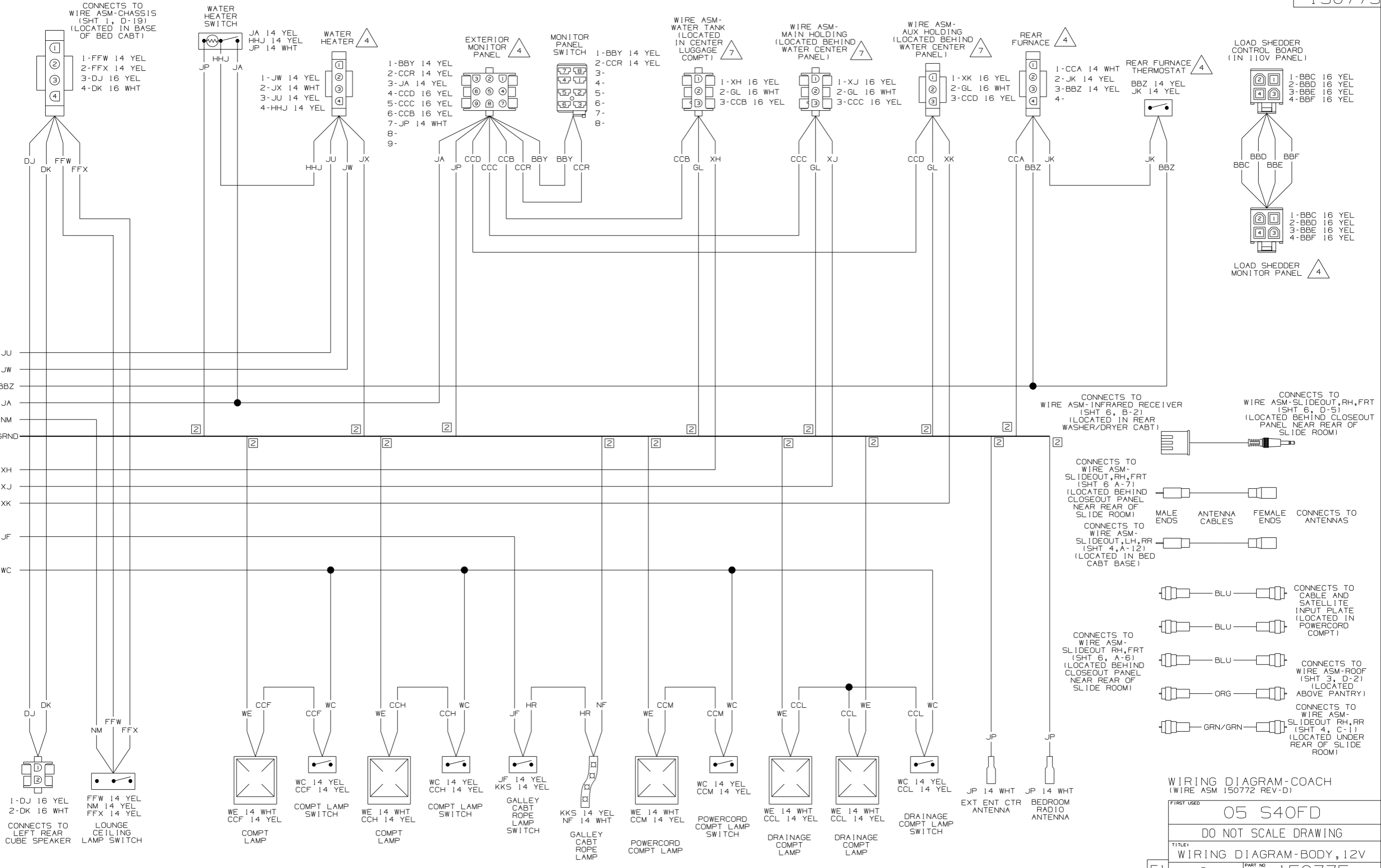
A-DDT 12 YEL
B-DDU 12 WHT
CONNECTS TO WIRE ASM-LOCK, COMPT DOORS (SHT 6, A-4) (LOCATED ON COMPT DOOR)



5 CONNECTS TO WIRE ASM-IP MAIN (LOCATED ON FRONT LEFT COMPT)

- E1-NNK 16 YEL
- E2-KKL 16 YEL
- F1-HHE 16 YEL
- F2-HHF 16 YEL
- G1-MMW 16 YEL
- G2-MMX 16 WHT
- G3-MMY 16 WHT
- G4-NNL 16 YEL
- H1-LP 16 YX
- H2-NNM 16 YEL
- J1-
- J2-
- J3-
- J4-KKN 16 YEL
- K1-DDW 12 WHT
- K2-HHD 12 YEL
- K3-FX 12 YEL





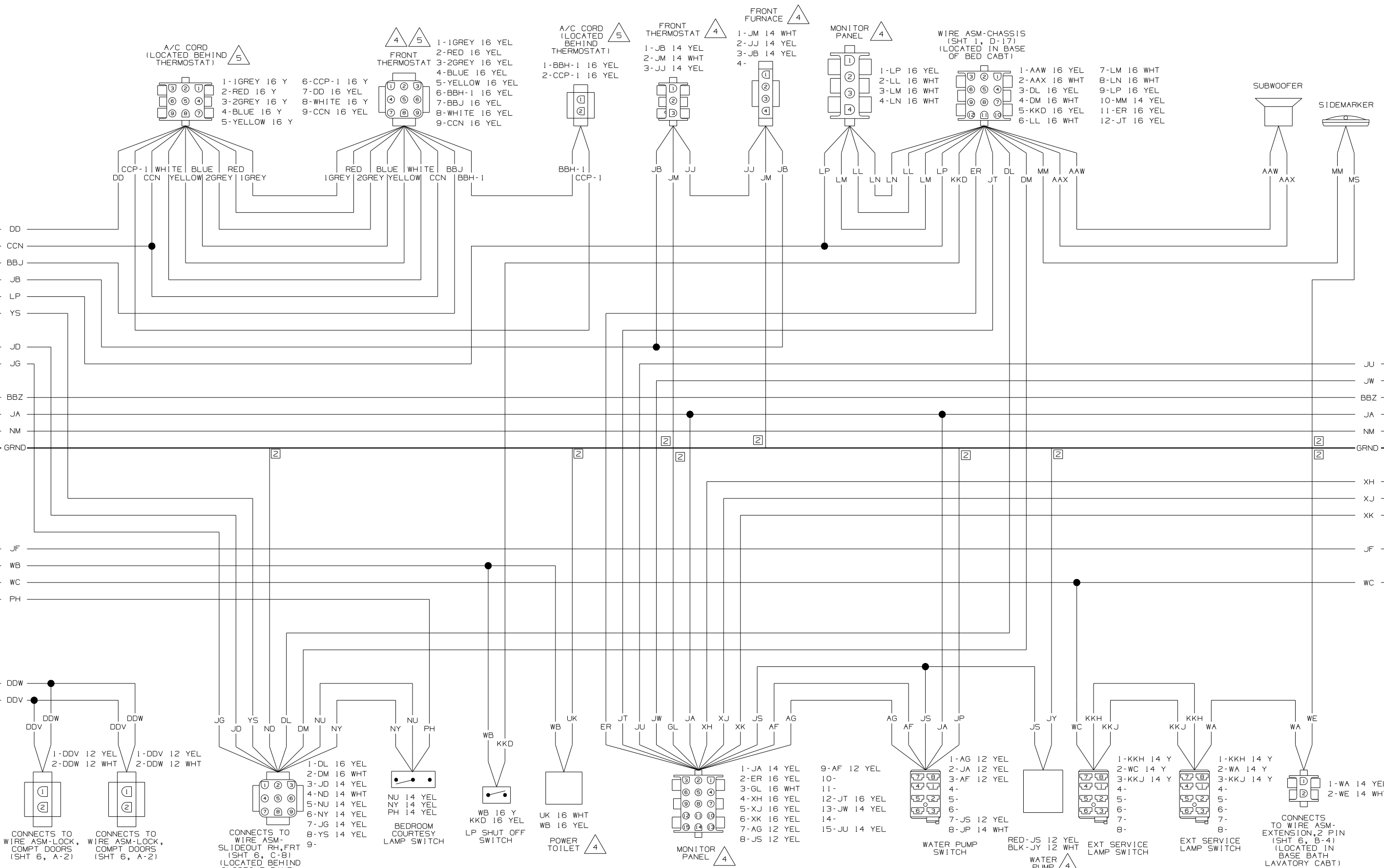
WIRING DIAGRAM-COACH
(WIRE ASM 150772 REV-D)

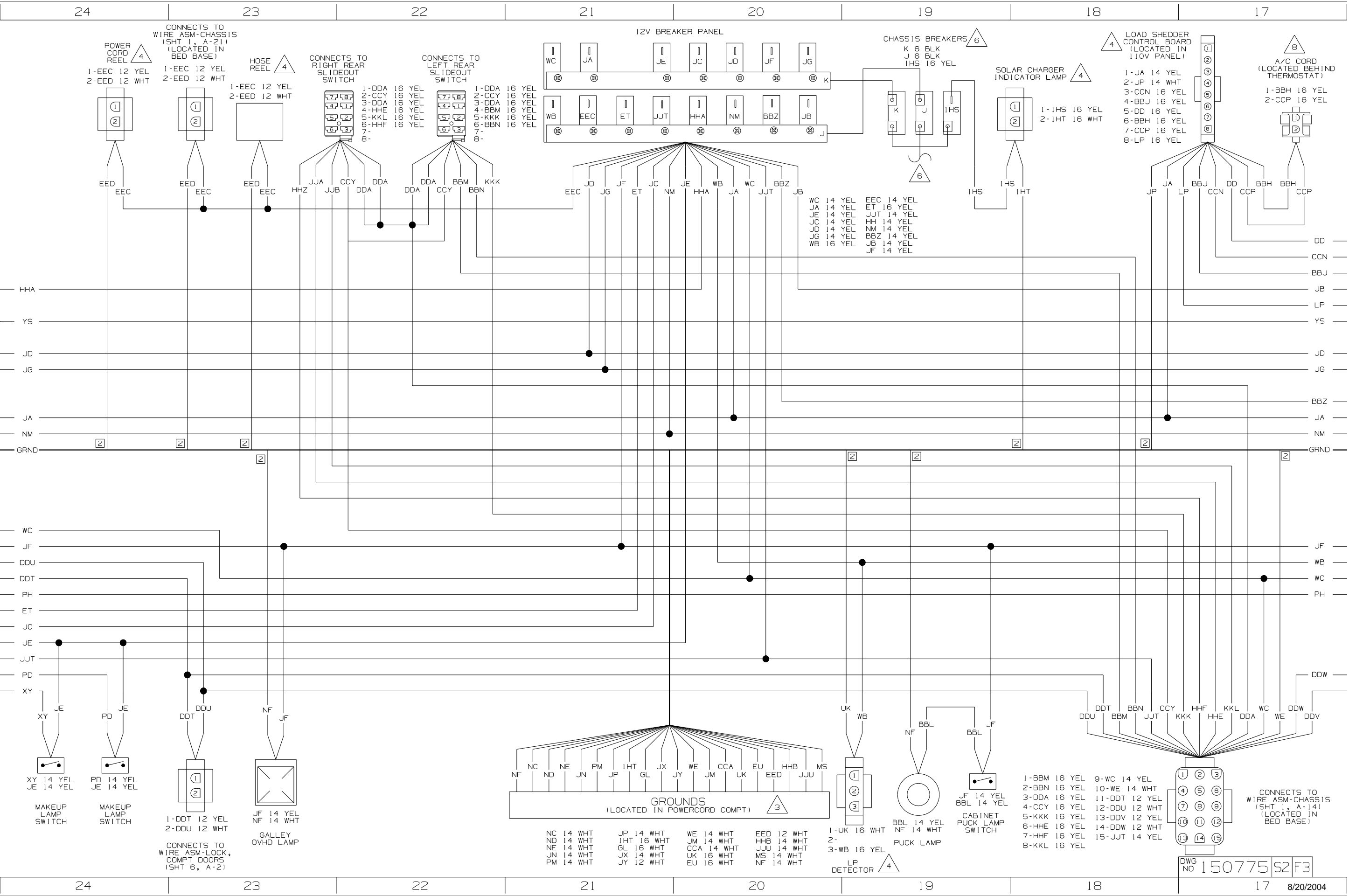
FIRST USED: 05 S40FD

TITLE: DO NOT SCALE DRAWING

WIRING DIAGRAM-BODY, 12V

SHEET 2 PART NO 150775





CONNECTS TO WIRE ASM-CHASSIS (SHT 1, A-21) (LOCATED IN BED BASE)

12V BREAKER PANEL

CHASSIS BREAKERS
K 6 BLK
J 6 BLK
IHS 16 YEL

LOAD SHEDDER CONTROL BOARD (LOCATED IN 110V PANEL)

A/C CORD (LOCATED BEHIND THERMOSTAT)

- WC 14 YEL
- JA 14 YEL
- JE 14 YEL
- JC 14 YEL
- JD 14 YEL
- JG 14 YEL
- WB 16 YEL
- EEC 14 YEL
- ET 16 YEL
- JJT 14 YEL
- HH 14 YEL
- NM 14 YEL
- BBZ 14 YEL
- JB 14 YEL
- JF 14 YEL

- 1-IHS 16 YEL
- 2-IHT 16 WHT

- 1-JA 14 YEL
- 2-JP 14 WHT
- 3-CCN 16 YEL
- 4-BBJ 16 YEL
- 5-DD 16 YEL
- 6-BBH 16 YEL
- 7-CCP 16 YEL
- 8-LP 16 YEL

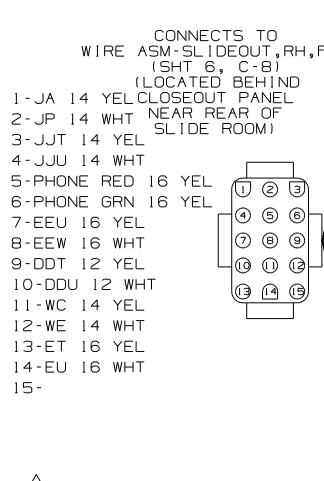
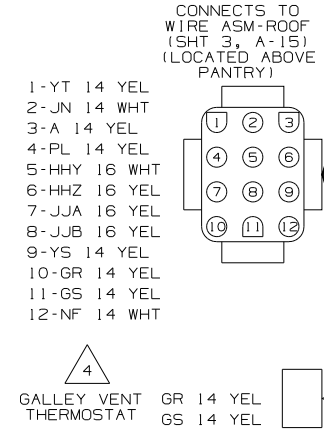
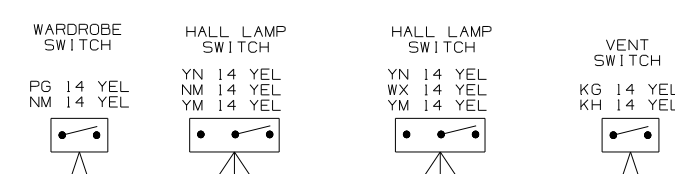
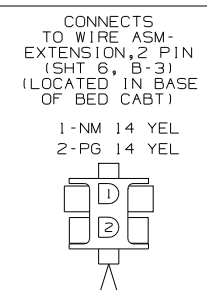
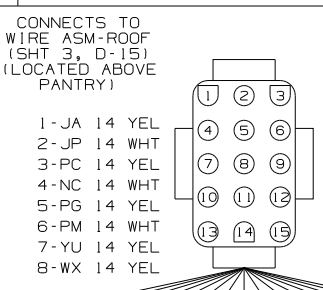
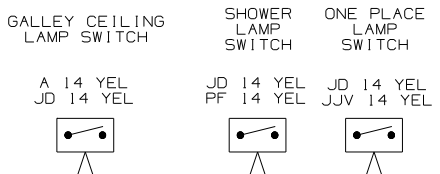
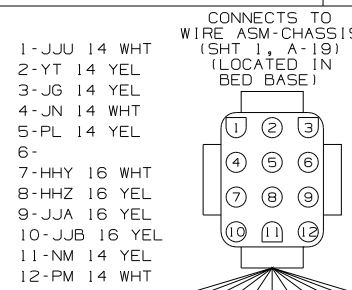
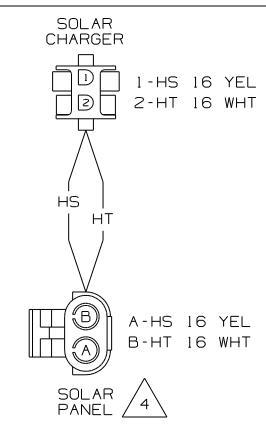
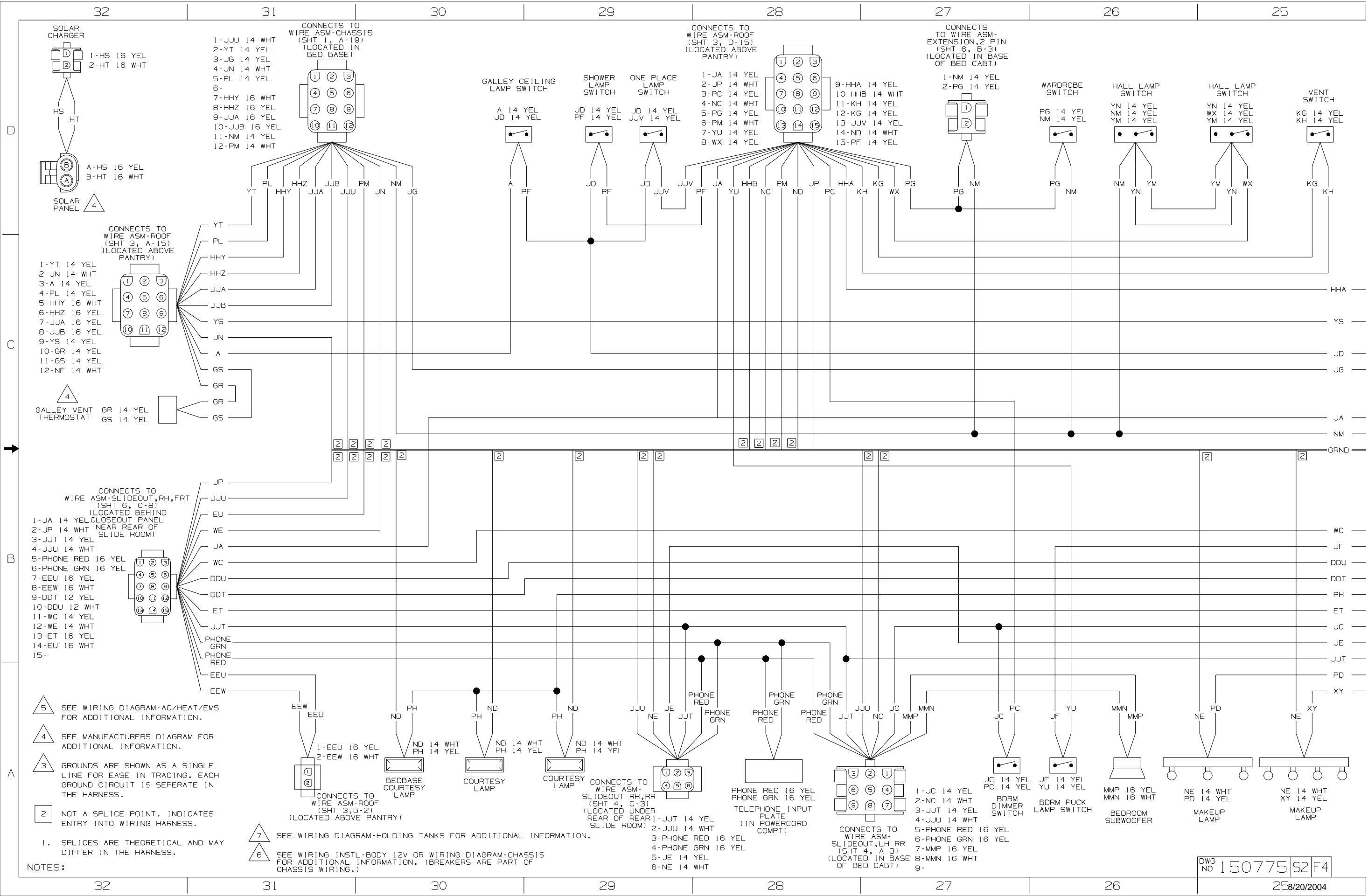
- 1-BBH 16 YEL
- 2-CCP 16 YEL

GROUNDS (LOCATED IN POWERCORD COMPT)

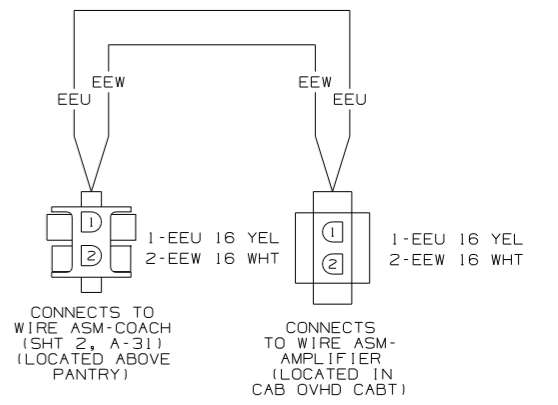
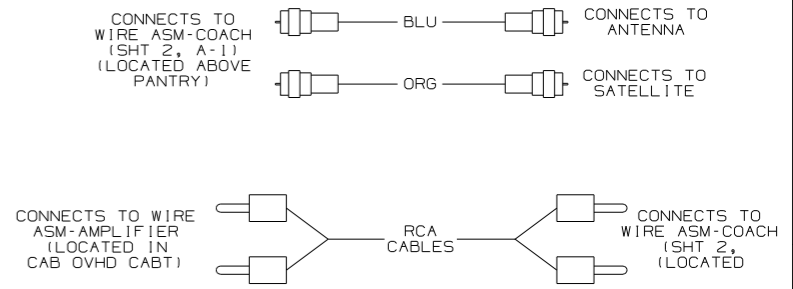
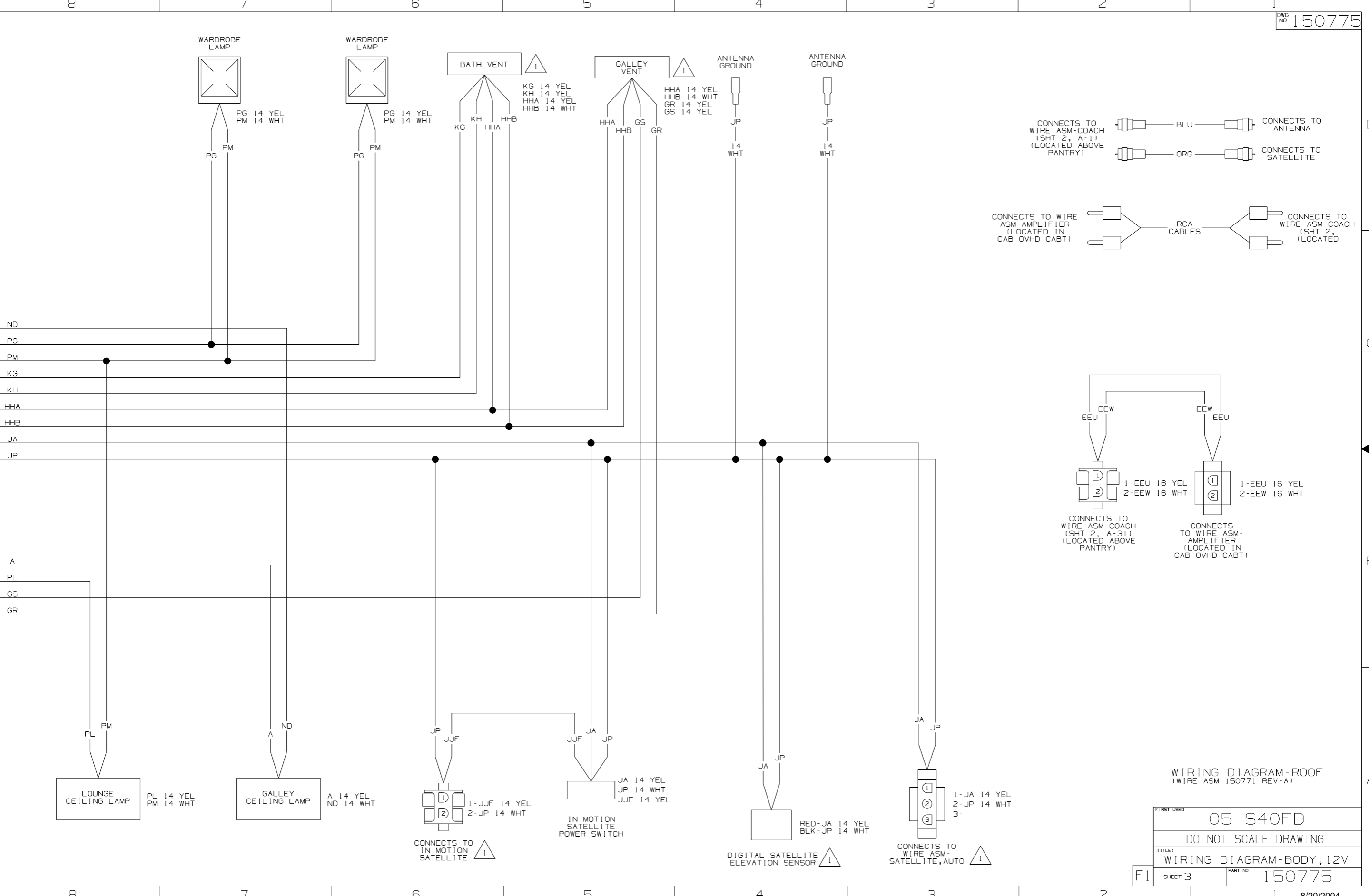
CONNECTS TO WIRE ASM-CHASSIS (SHT 1, A-14) (LOCATED IN BED BASE)

- | | | | |
|-----------|------------|------------|------------|
| NC 14 WHT | JP 14 WHT | WE 14 WHT | EED 12 WHT |
| ND 14 WHT | IHT 16 WHT | JM 14 WHT | HHB 14 WHT |
| NE 14 WHT | GL 16 WHT | CCA 14 WHT | JJU 14 WHT |
| JN 14 WHT | JX 14 WHT | UK 16 WHT | MS 14 WHT |
| PM 14 WHT | JY 12 WHT | EU 16 WHT | NF 14 WHT |

- 1-BBM 16 YEL
- 2-BBN 16 YEL
- 3-DDA 16 YEL
- 4-CCY 16 YEL
- 5-KKK 16 YEL
- 7-HHF 16 YEL
- 8-KKL 16 YEL
- 9-WC 14 YEL
- 10-WE 14 WHT
- 11-DDT 12 YEL
- 12-DDU 12 WHT
- 13-DDV 12 YEL
- 14-DDW 12 WHT
- 15-JJT 14 YEL

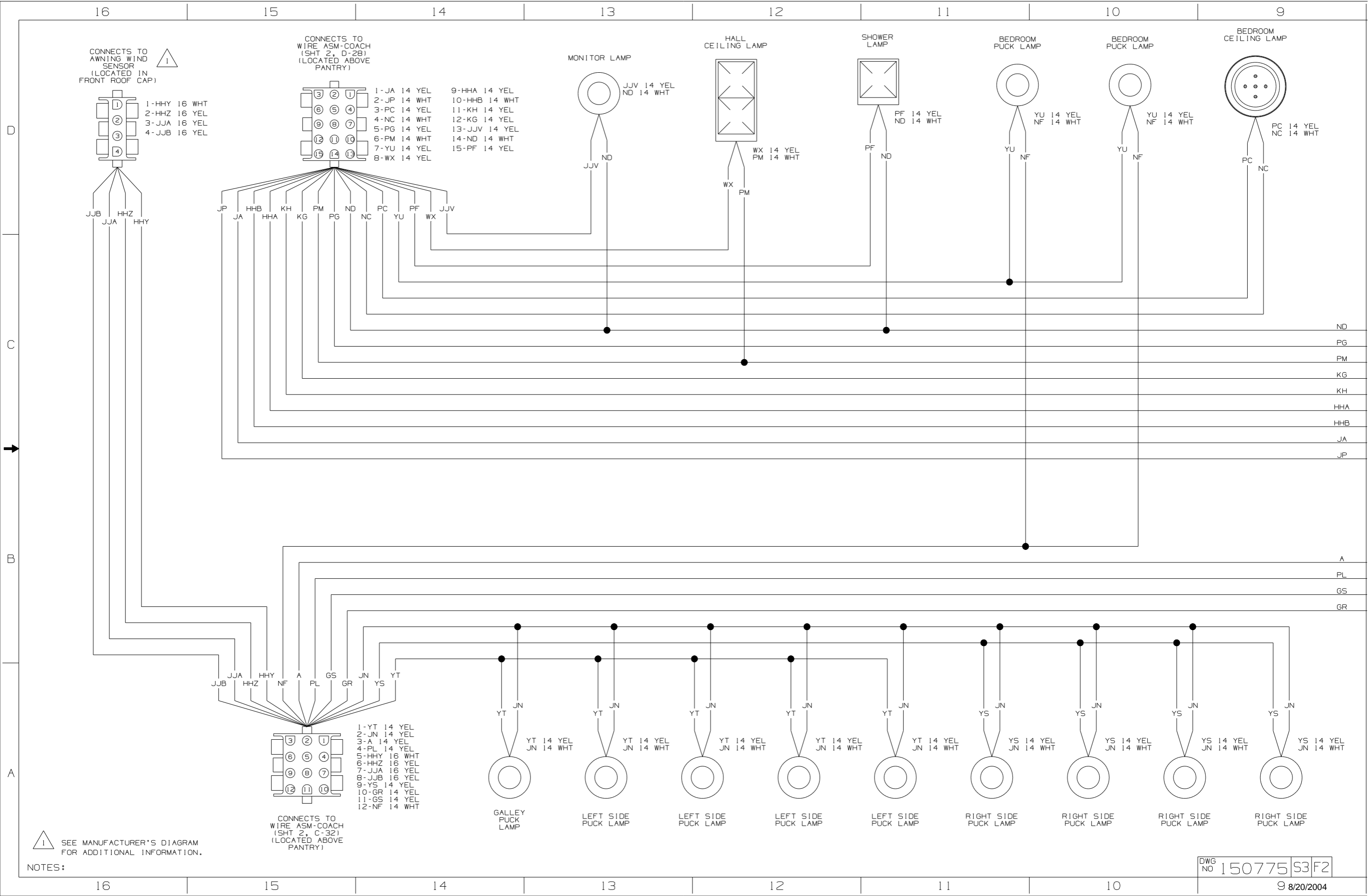


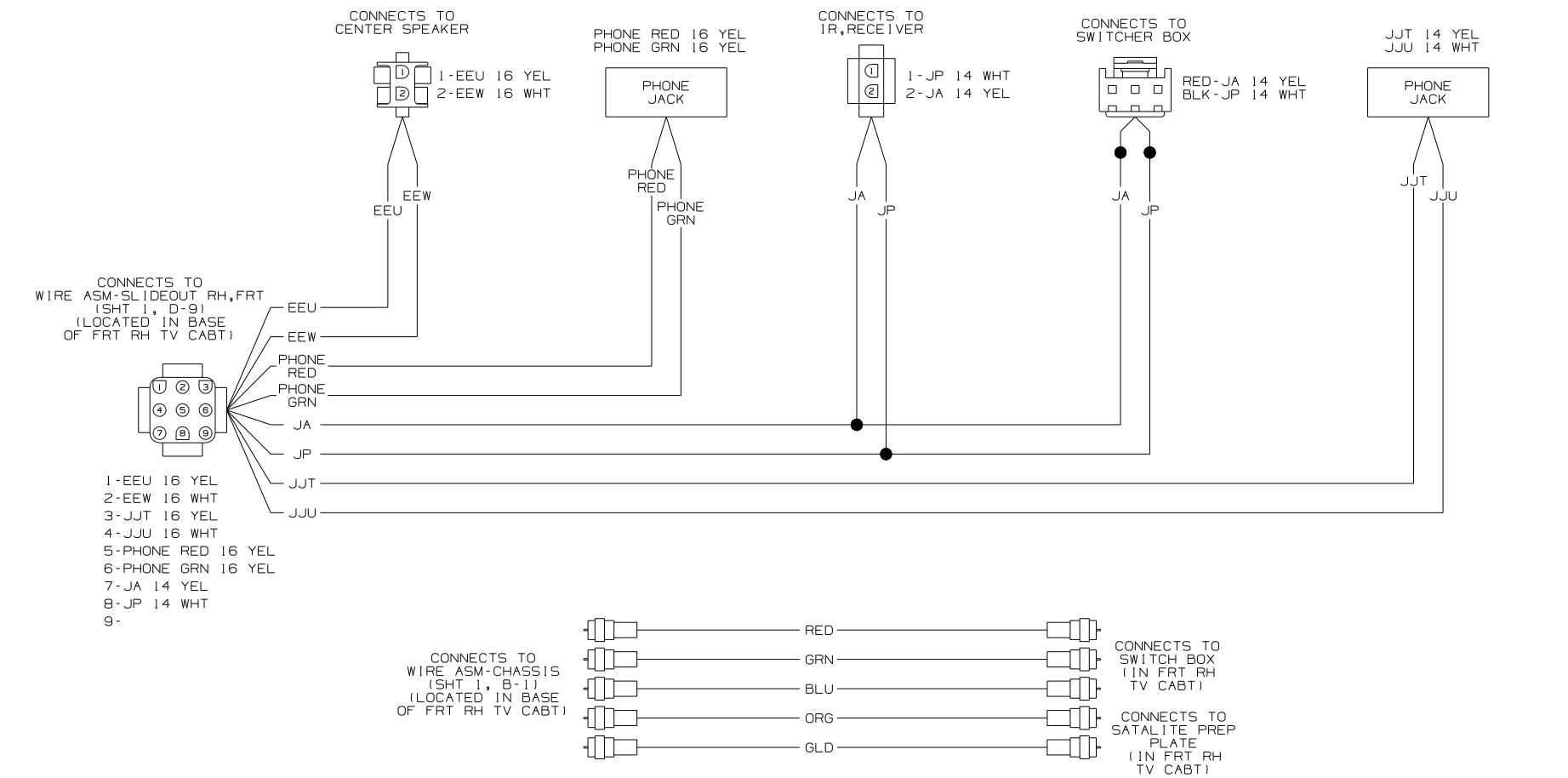
- NOTES:**
- 5. SEE WIRING DIAGRAM-AC/HEAT/EMS FOR ADDITIONAL INFORMATION.
 - 4. SEE MANUFACTURERS DIAGRAM FOR ADDITIONAL INFORMATION.
 - 3. GROUNDS ARE SHOWN AS A SINGLE LINE FOR EASE IN TRACING. EACH GROUND CIRCUIT IS SEPERATE IN THE HARNESS.
 - 2. NOT A SPLICE POINT. INDICATES ENTRY INTO WIRING HARNESS.
 - 7. SEE WIRING DIAGRAM-HOLDING TANKS FOR ADDITIONAL INFORMATION.
 - 6. SEE WIRING INSTL-BODY 12V OR WIRING DIAGRAM-CHASSIS FOR ADDITIONAL INFORMATION. (BREAKERS ARE PART OF CHASSIS WIRING.)



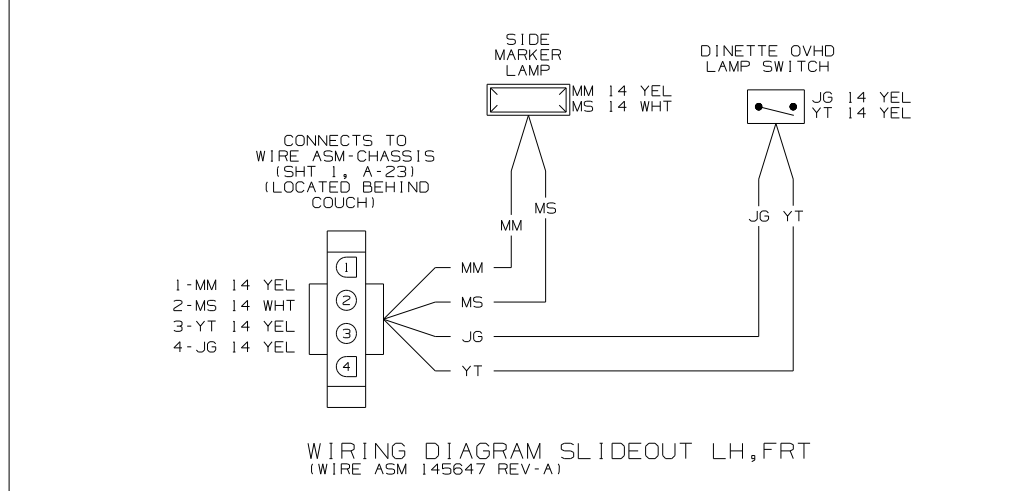
WIRING DIAGRAM-ROOF (WIRE ASM 150771 REV-A)

FIRST USED	05 S40FD	
TITLE	DO NOT SCALE DRAWING	
TITLE	WIRING DIAGRAM-BODY, 12V	
SHEET 3	PART NO	150775

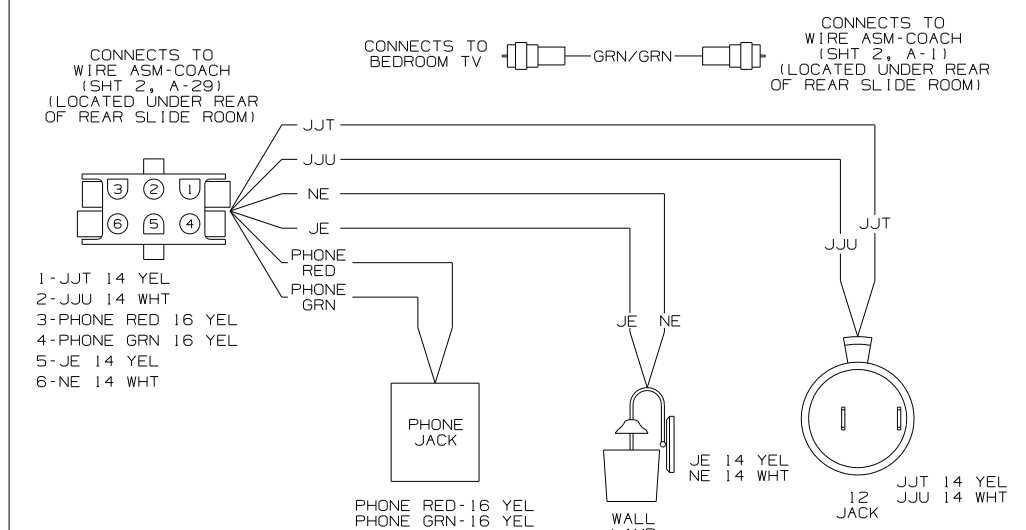




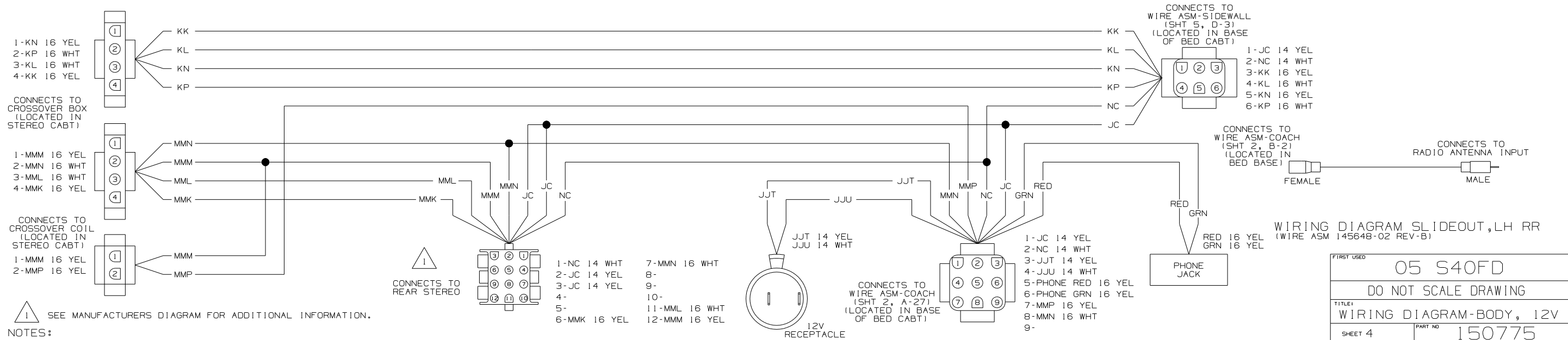
WIRING DIAGRAM TV CABT, SIDE
(WIRE ASM 151292 REV-A)



WIRING DIAGRAM SLIDEOUT LH, FRT
(WIRE ASM 145647 REV-A)



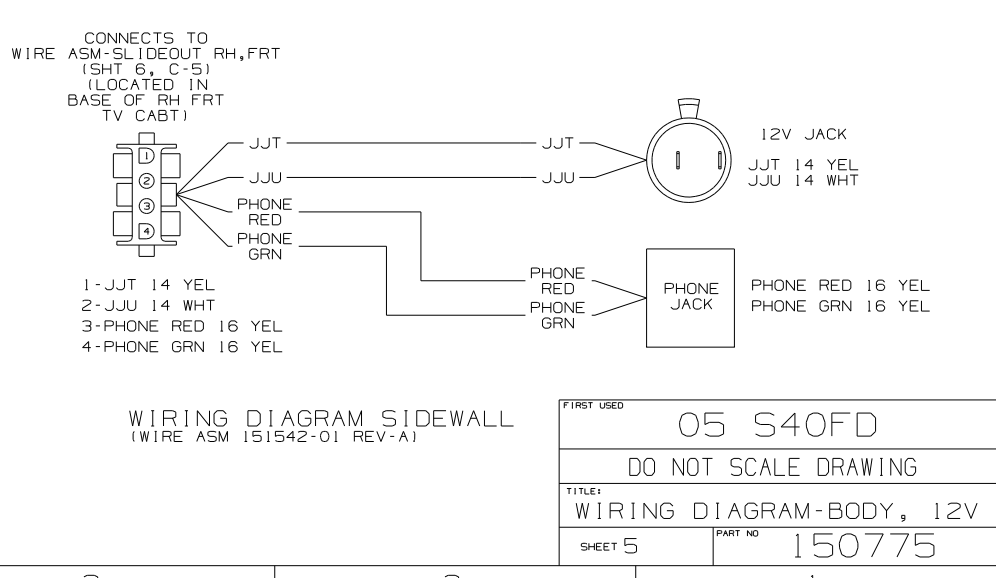
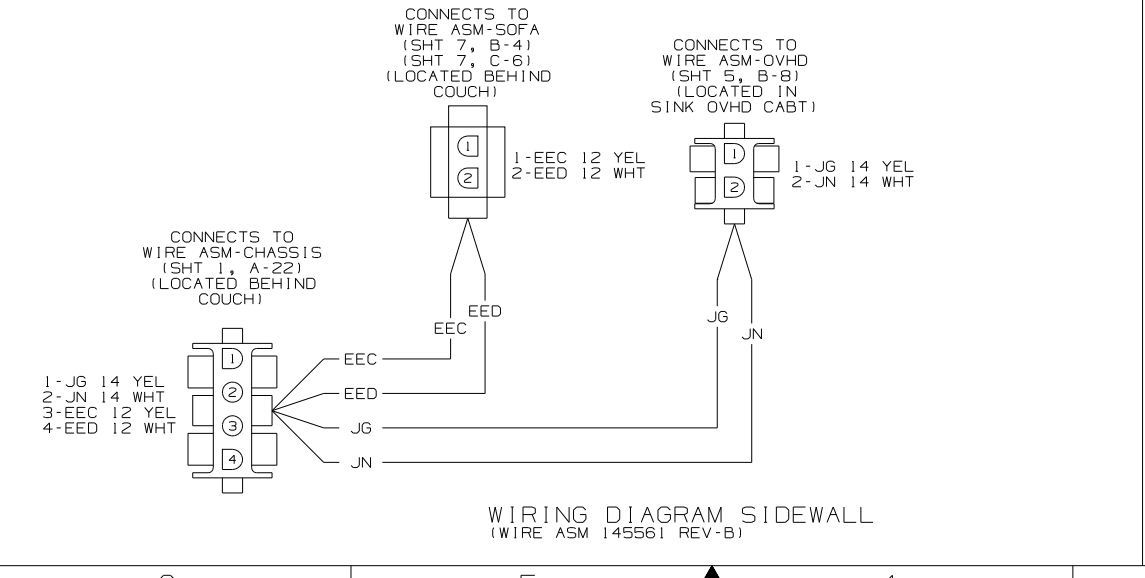
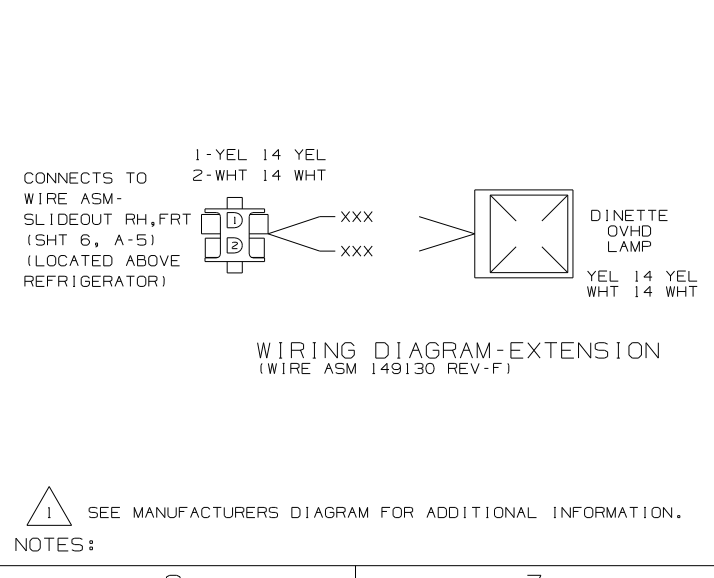
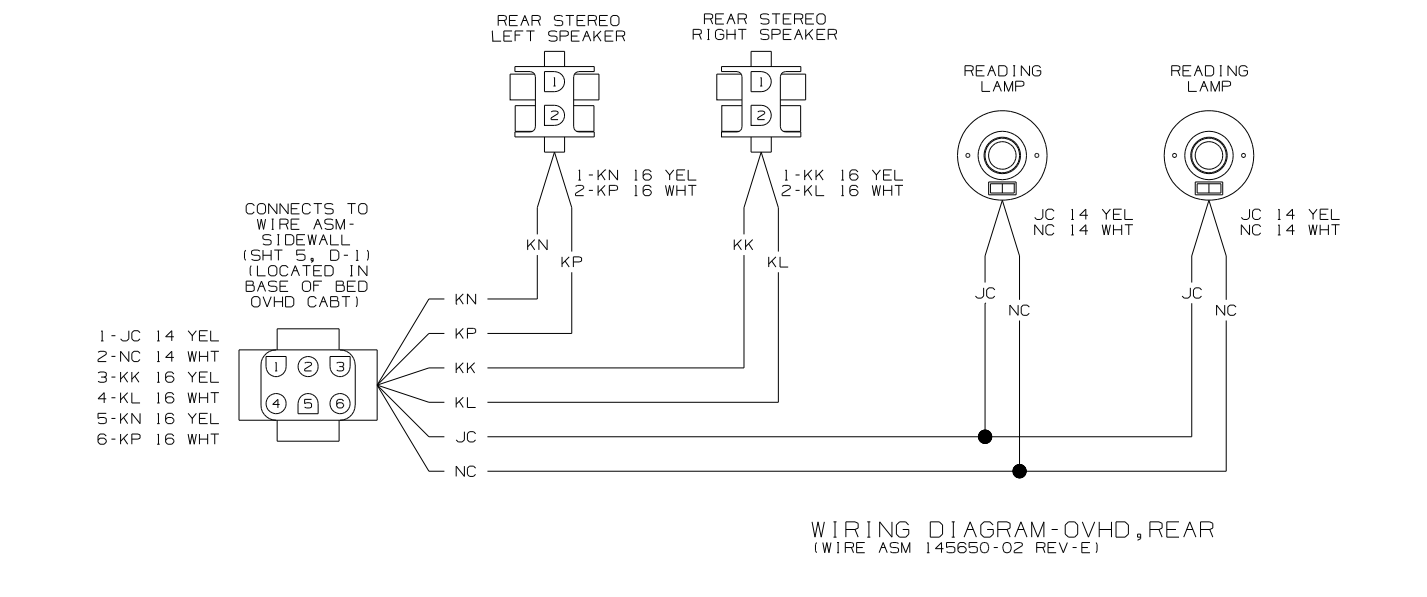
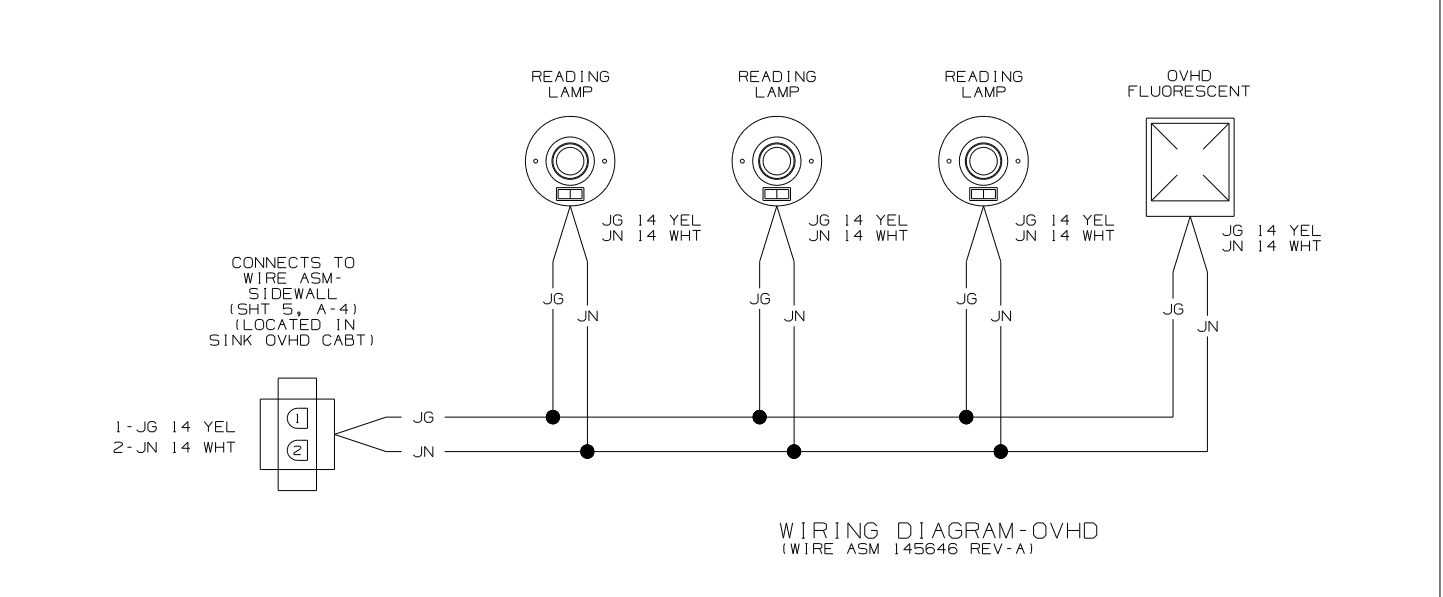
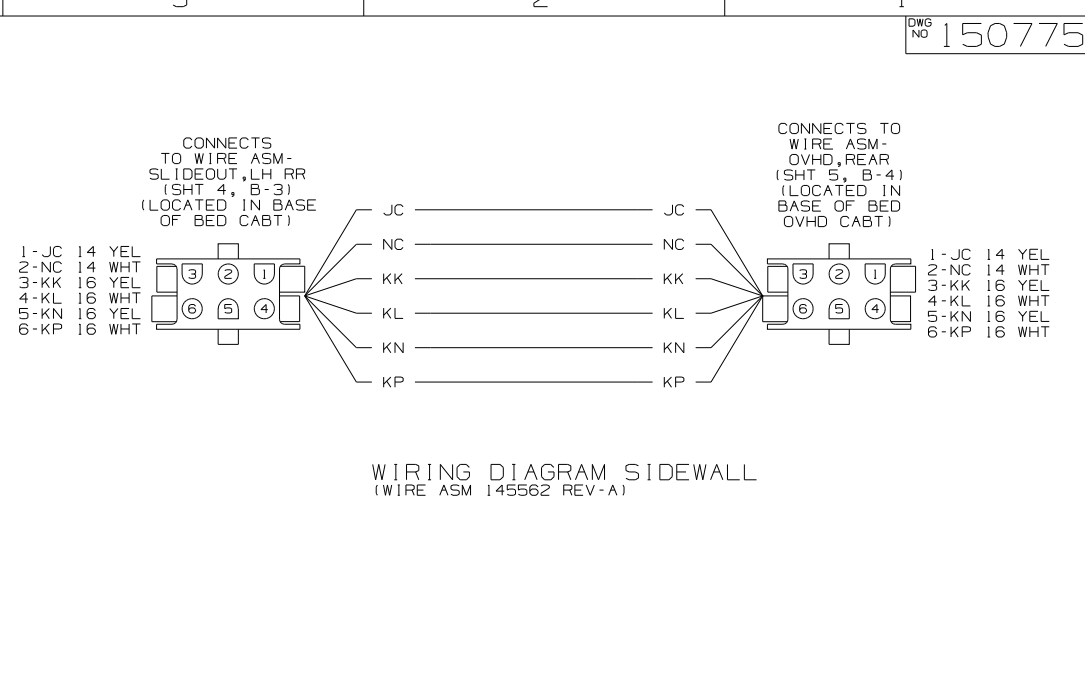
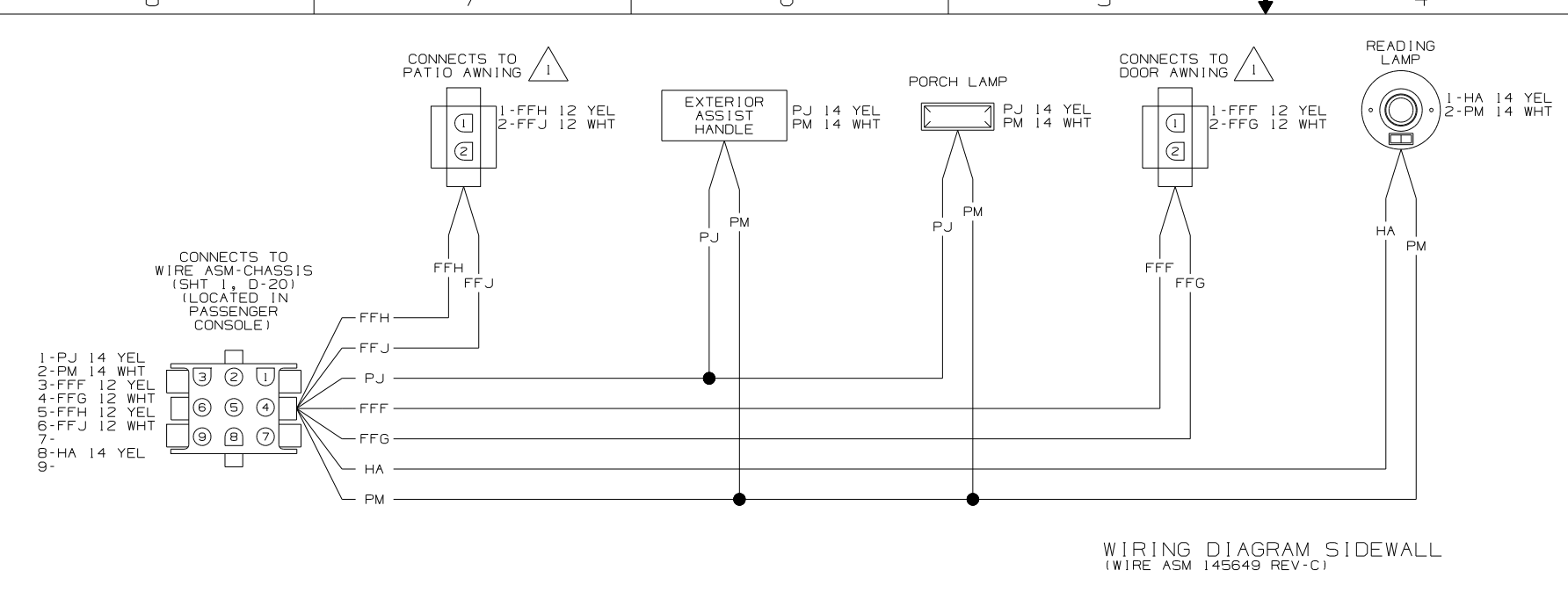
WIRING DIAGRAM SLIDEOUT RH, RR
(WIRE ASM 151672 REV-A)



WIRING DIAGRAM SLIDEOUT LH, RR
(WIRE ASM 145648-02 REV-B)

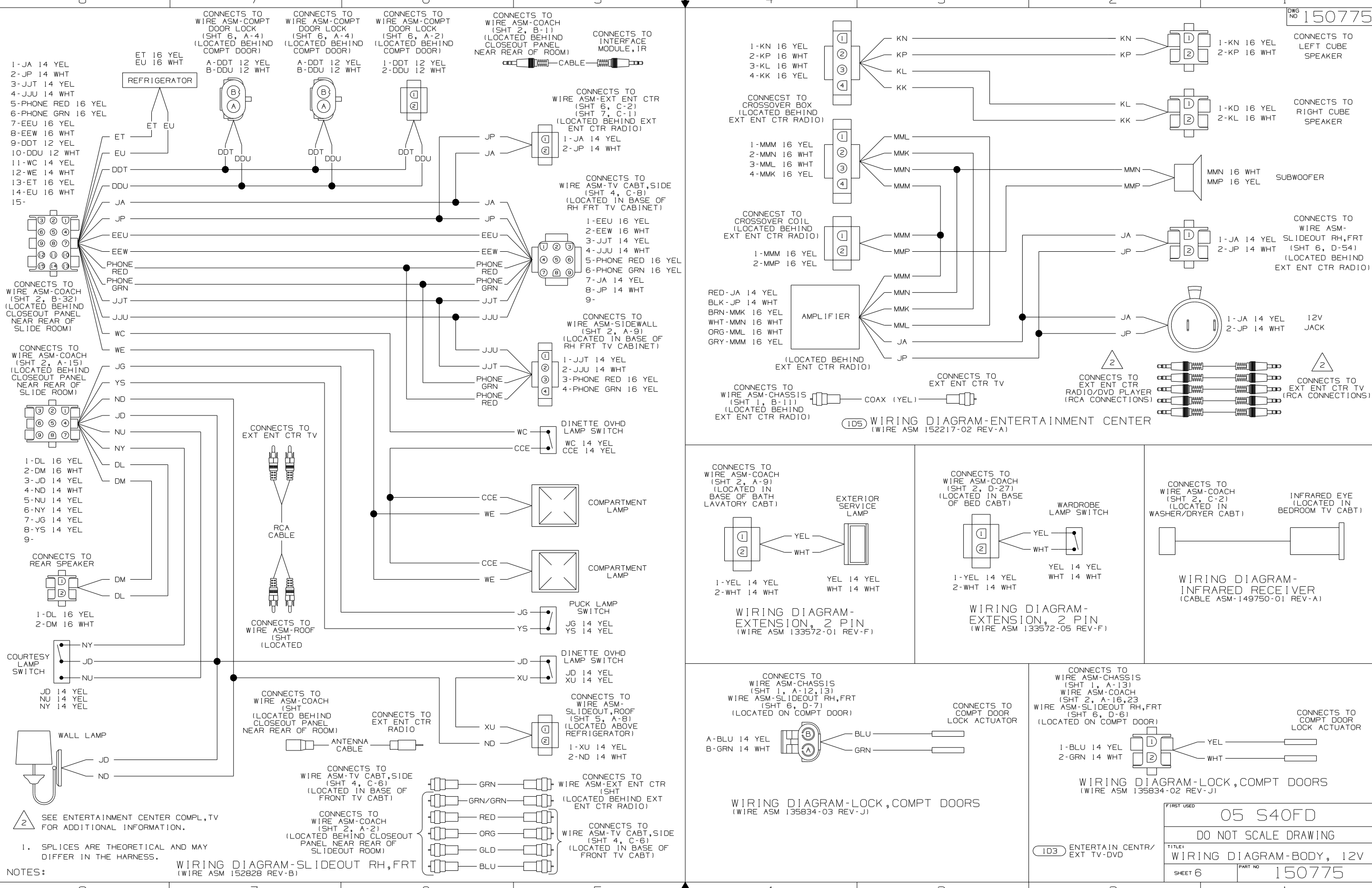
NOTES:
1 SEE MANUFACTURERS DIAGRAM FOR ADDITIONAL INFORMATION.

FIRST USED	05 S40FD
TITLE	DO NOT SCALE DRAWING
TITLE	WIRING DIAGRAM-BODY, 12V
SHEET 4	PART NO 150775



NOTES:
1 SEE MANUFACTURERS DIAGRAM FOR ADDITIONAL INFORMATION.

FIRST USED	05 S40FD
TITLE	DO NOT SCALE DRAWING
TITLE	WIRING DIAGRAM-BODY, 12V
SHEET 5	PART NO 150775



NOTES:
1. SPLICES ARE THEORETICAL AND MAY DIFFER IN THE HARNESS.

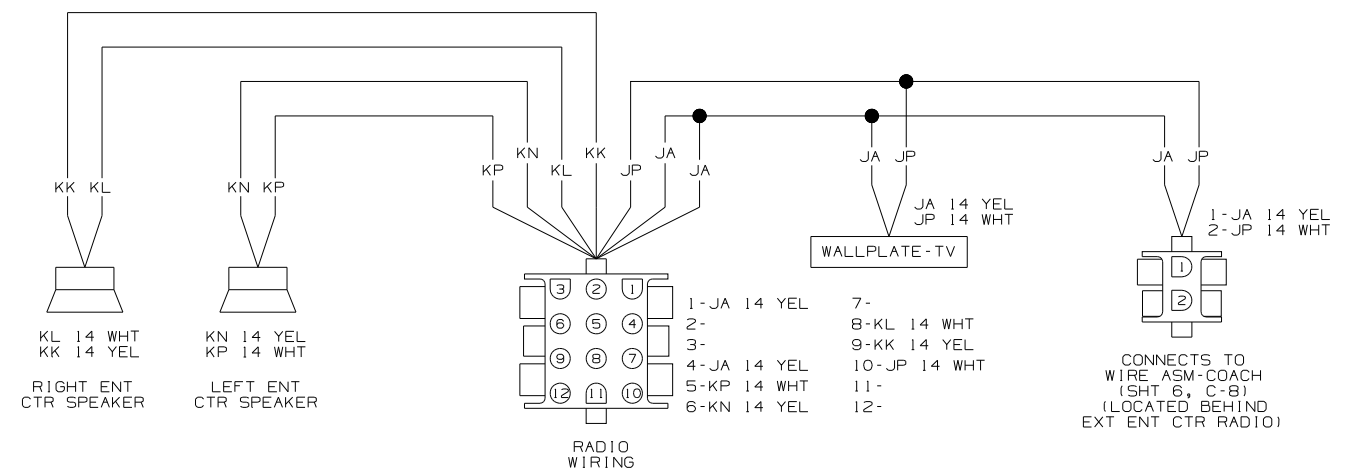
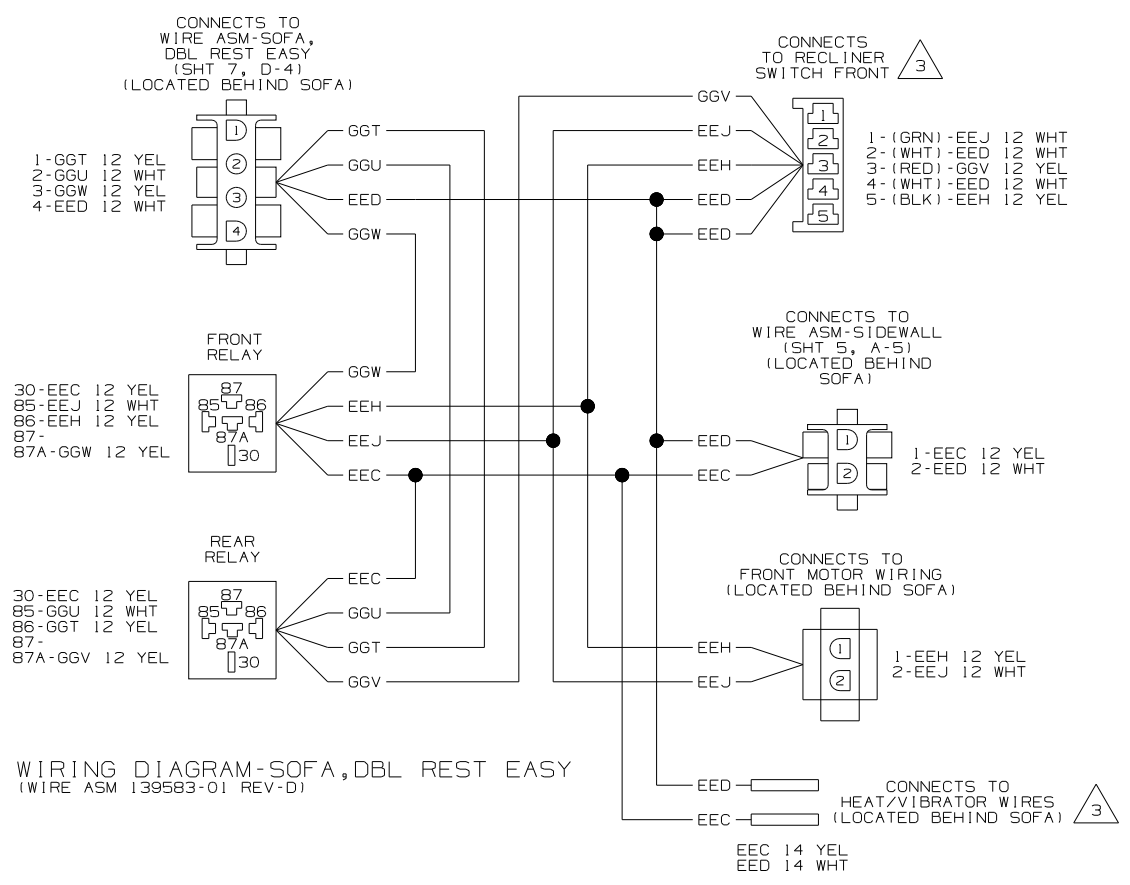
WIRING DIAGRAM-SLIDEOUT RH,FRT (WIRE ASM 152828 REV-B)

WIRING DIAGRAM-LOCK,COMPT DOORS (WIRE ASM 135834-03 REV-J)

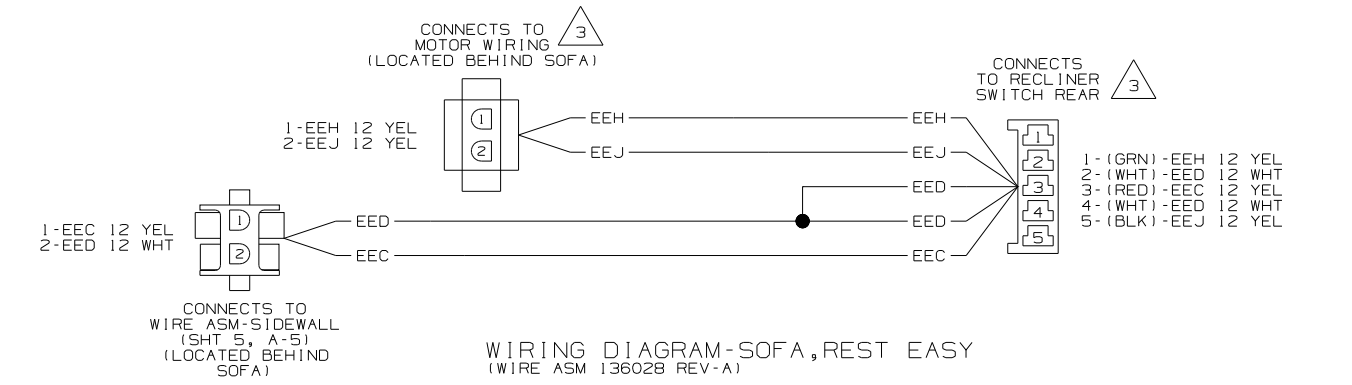
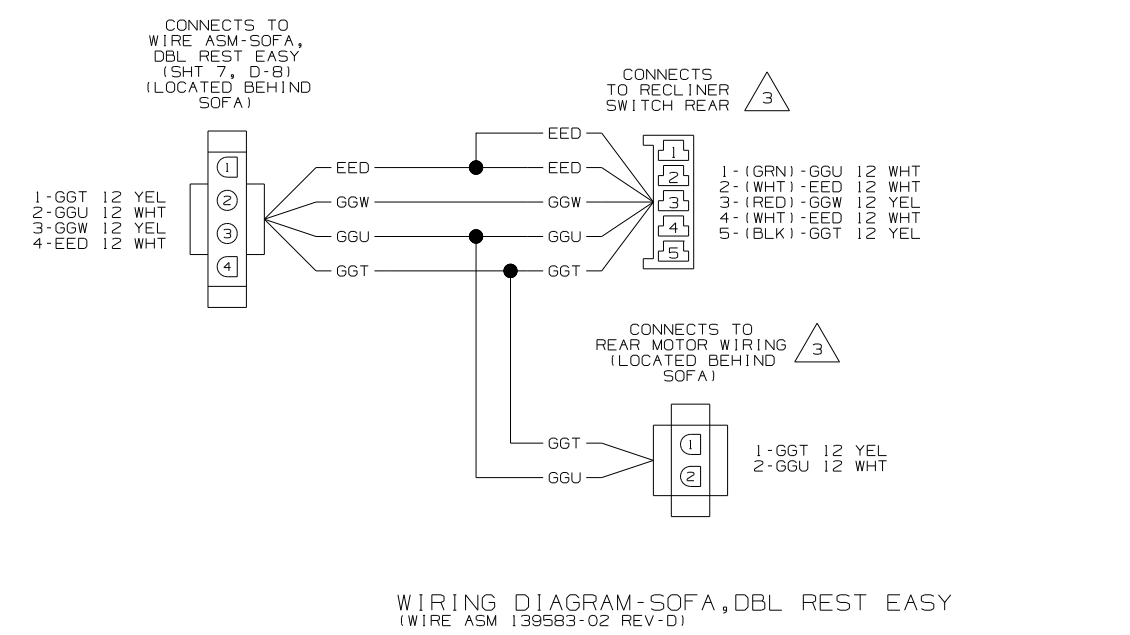
WIRING DIAGRAM-Lock,COMPT DOORS (WIRE ASM 135834-02 REV-J)

103 ENTERTAIN CENTR/ EXT TV-DVD

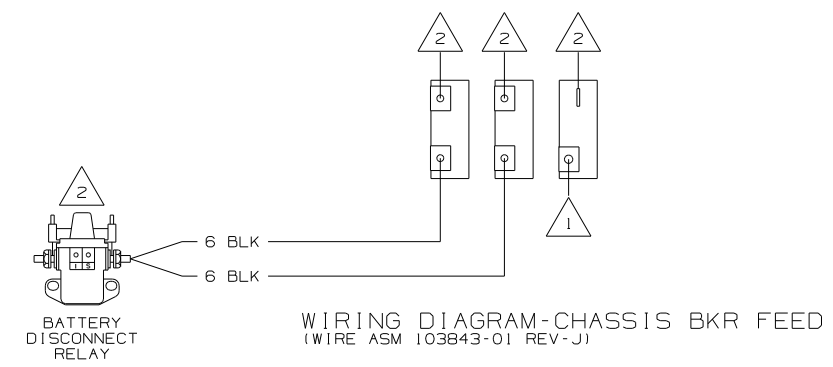
FIRST USED	
05 S40FD	
DO NOT SCALE DRAWING	
TITLE:	WIRING DIAGRAM-BODY, 12V
SHEET 6	PART NO 150775
1 8/20/2004	



(1D5) WIRING DIAGRAM-EXT ENT CTR (WIRE ASM 125853-07 REV-L)



WIRING DIAGRAM-SOFA, REST EASY (WIRE ASM 136028 REV-A)



WIRING DIAGRAM-CHASSIS BKR FEED (WIRE ASM 103843-01 REV-J)

(1D5) ENTERTAINMENT CENTR/EXT W/CD	
FIRST USED 05 S40FD	
DO NOT SCALE DRAWING	
TITLE: WIRING DIAGRAM-BODY, 12V	
SHEET 7	PART NO 150775

- NOTES:
- 3 SEE MANUFACTURERS DIAGRAM FOR ADDITIONAL INFORMATION.
 - 2 SEE SHT 2 FOR ADDITIONAL INFORMATION.
 - 1 SEE SHT 1 FOR ADDITIONAL INFORMATION.