



DANGER

Danger of electrical shock, burns or death. Always remove all power sources before attempting any repair, service or diagnostic work. Power can be present from shore power, generator, inverter or battery. All power sources must be disabled and secured before performing any service.

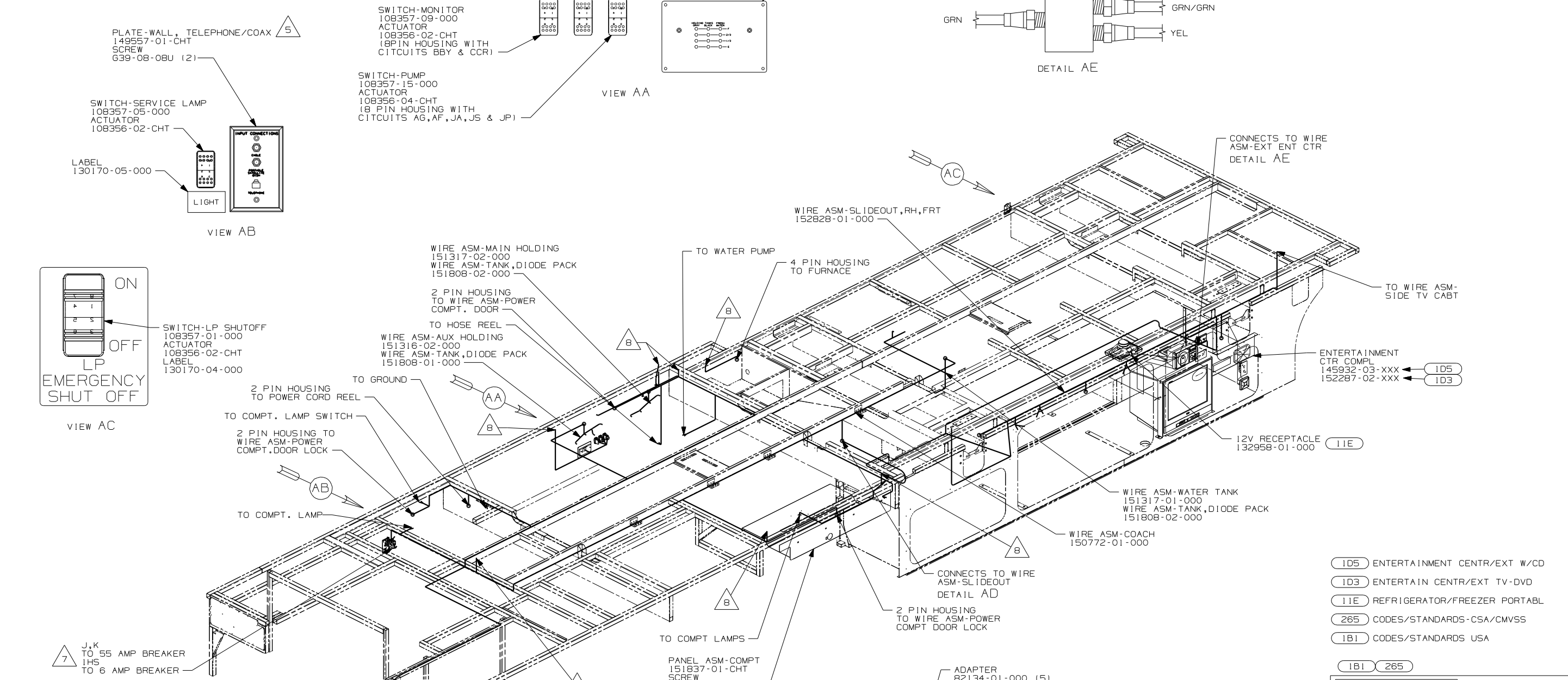


CAUTION

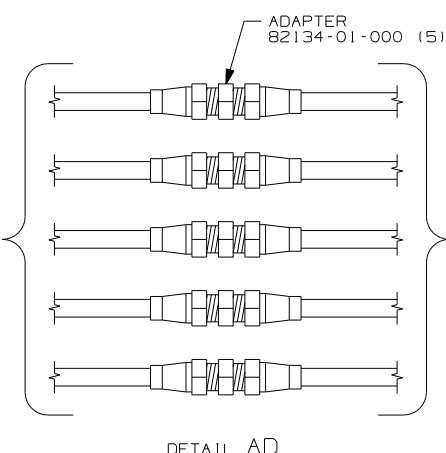
If you lack the skills, tools or equipment to perform diagnostic or repair work leave such work to an authorized Winnebago Industries dealer or other qualified shop.

DRAWING NO.	
150773-01	WIN
150773-02	ITA

RELEASE	REV/DATE	DWG NO
	A	150773
REV ZONE	REVISION RECORD	DATE
		DFTR-016



- NOTES:
1. ALL WIRES TO BE SECURED WITH CLAMP 10495 OR 10497 OR WIRE TIE 8343 OR 108046 EVERY 600MM, USE SCREW G67-XX-XXX OR G56-XX-XXX AS APPROPRIATE FOR INSTALLATION.
 2. ALL 110V WIRE TO BE CLAMPED WITH CLAMP 10497-05-000 WITHIN 200MM OF OUTLET BOXES, USE SCREW G67-10-12B.
 3. ALL GROUND WIRE TO BE COVERED WITH TUBING 8041-02-000.
 4. FOR MORE INFORMATION SEE WIRING DIAGRAM-BODY, 110V.
 5. CONNECT TELEPHONE WIRE TO MATCHING COLORS ON PLATE-TELEPHONE.
 6. FOR MORE INFORMATION SEE A/C INSTL.
 7. SEE WIRING INSTL-CHASSIS FOR ADDITIONAL INFORMATION.
 8. WIRES PASS UP THRU FLOOR IN THIS AREA.

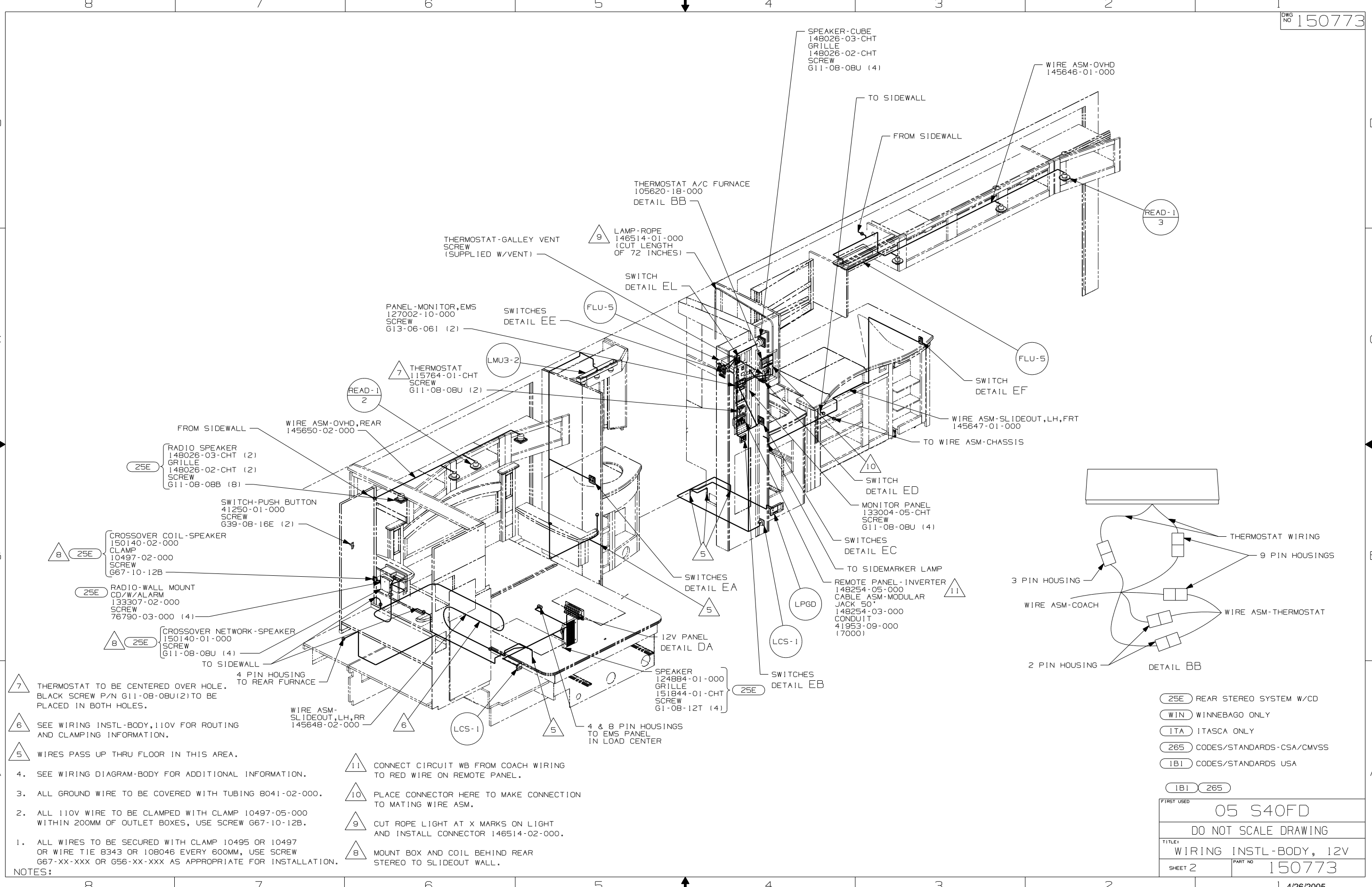


FOR ELECTRICAL TORQUE SPECIFICATIONS SEE DWG NO. 128783-01-000

FOR ELECTRICAL CALLOUTS SEE DWG NO. 121339-01-000

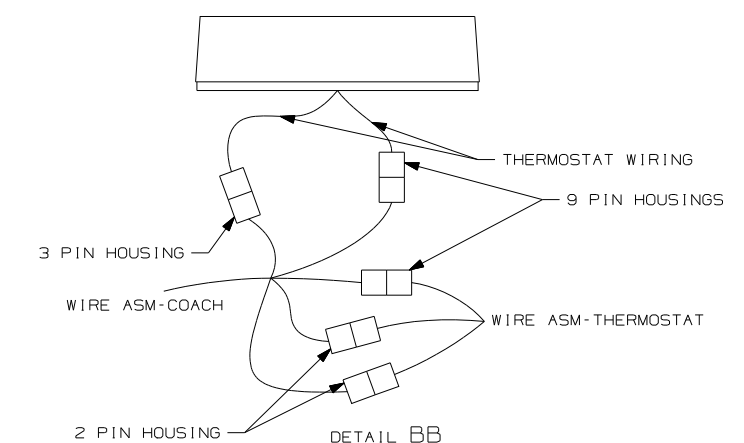
- (1D5) ENTERTAINMENT CENTR/EXT W/CD
- (1D3) ENTERTAINMENT CENTR/EXT TV-DVD
- (11E) REFRIGERATOR/FREEZER PORTABLE
- (265) CODES/STANDARDS-CSA/CMVSS
- (1B1) CODES/STANDARDS USA

WINNEBAGO		COPYRIGHT 2004 WINNEBAGO INDUSTRIES, INC.	
DFTR	ORIG. DATE		
CHKR	ALL DIMENSIONS ARE IN MILLIMETERS		
P.E.			
M.E.	FIRST USED	05 S40FD	
DSNR			
UNSPECIFIED TOLERANCES ARE:		MATERIAL:	
WHOLE DIM (X)	:		
ONE-PLACE (X.X)	:		
TWO-PLACE (X.XX)	:		
ANGLE	:		
THIRD ANGLE PROJECTION			
DO NOT SCALE DRAWING			
TITLE: WIRING INSTL-BODY, 12V			
SHEET 1 OF 7	PART NO	150773	
REF:	1 4/26/2005		



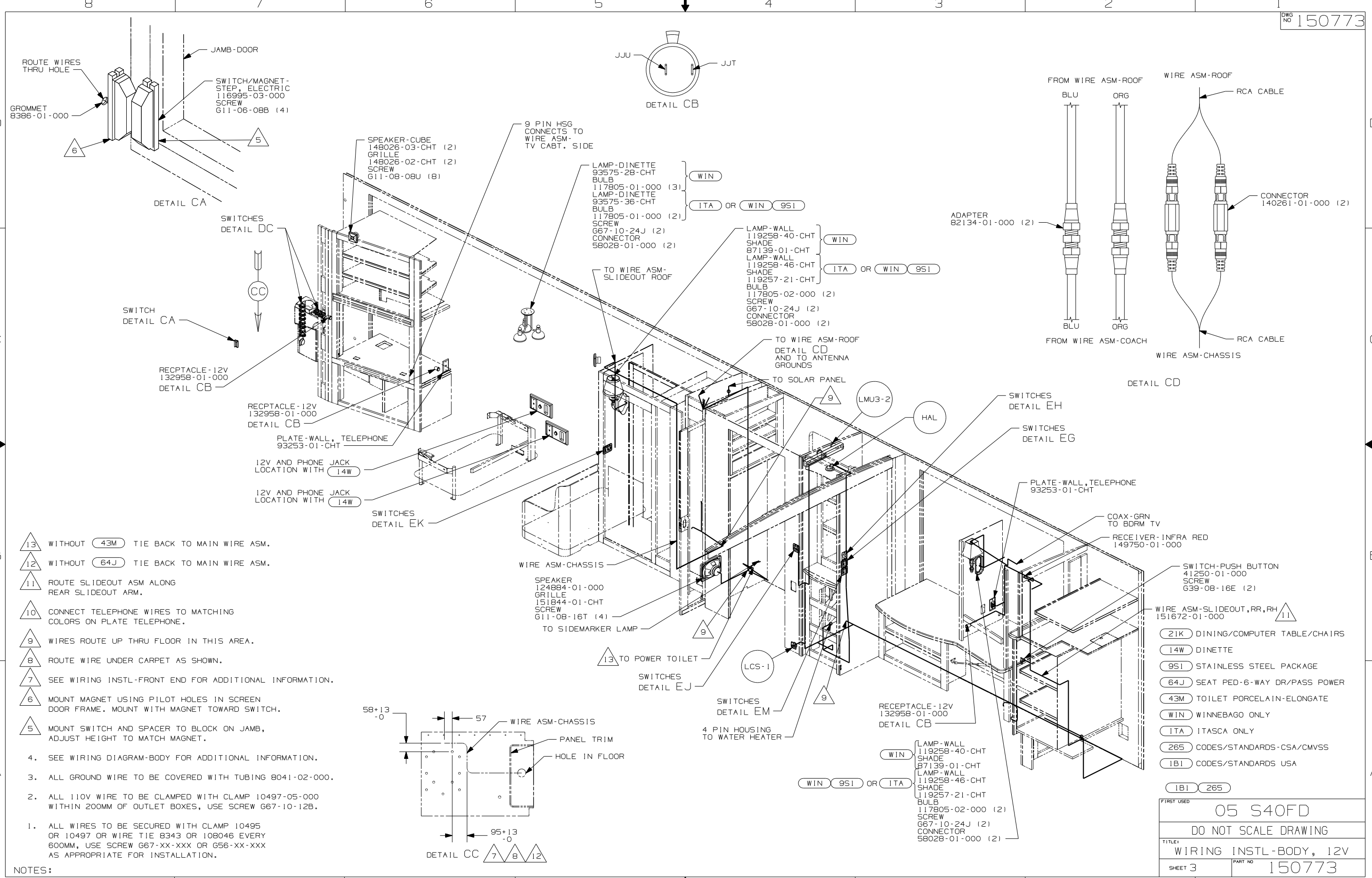
- 7 THERMOSTAT TO BE CENTERED OVER HOLE. BLACK SCREW P/N 611-08-08U(2) TO BE PLACED IN BOTH HOLES.
- 6 SEE WIRING INSTL-BODY, 110V FOR ROUTING AND CLAMPING INFORMATION.
- 5 WIRES PASS UP THRU FLOOR IN THIS AREA.
- 4. SEE WIRING DIAGRAM-BODY FOR ADDITIONAL INFORMATION.
- 3. ALL GROUND WIRE TO BE COVERED WITH TUBING 8041-02-000.
- 2. ALL 110V WIRE TO BE CLAMPED WITH CLAMP 10497-05-000 WITHIN 200MM OF OUTLET BOXES, USE SCREW 667-10-12B.
- 1. ALL WIRES TO BE SECURED WITH CLAMP 10495 OR 10497 OR WIRE TIE 8343 OR 108046 EVERY 600MM, USE SCREW 667-XX-XXX OR 656-XX-XXX AS APPROPRIATE FOR INSTALLATION.

- 11 CONNECT CIRCUIT WB FROM COACH WIRING TO RED WIRE ON REMOTE PANEL.
- 10 PLACE CONNECTOR HERE TO MAKE CONNECTION TO MATING WIRE ASM.
- 9 CUT ROPE LIGHT AT X MARKS ON LIGHT AND INSTALL CONNECTOR 146514-02-000.
- 8 MOUNT BOX AND COIL BEHIND REAR STEREO TO SLIDEOUT WALL.



- 25E REAR STEREO SYSTEM W/CD
- WIN WINNEBAGO ONLY
- ITA ITASCA ONLY
- 265 CODES/STANDARDS-CSA/CMVSS
- 1B1 CODES/STANDARDS USA

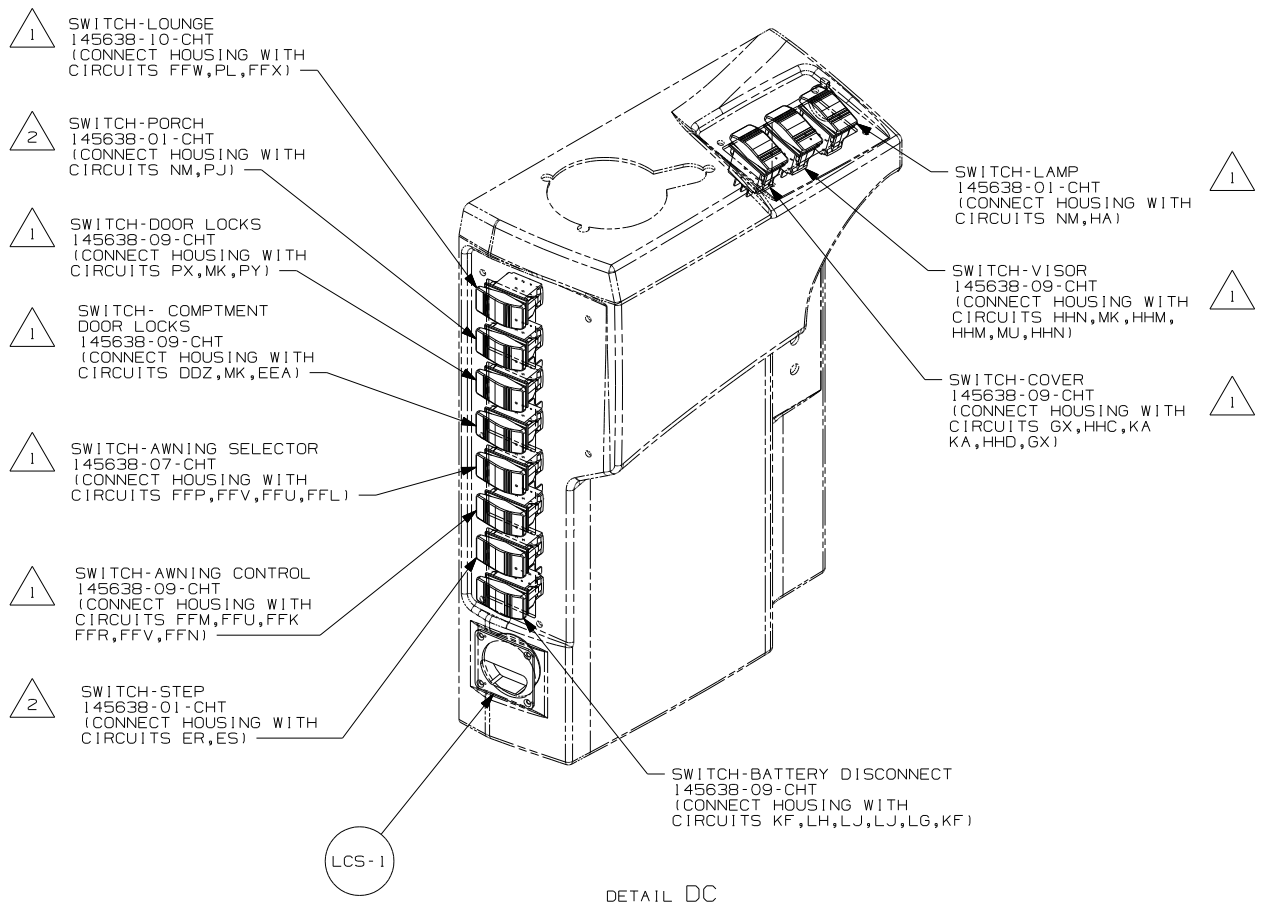
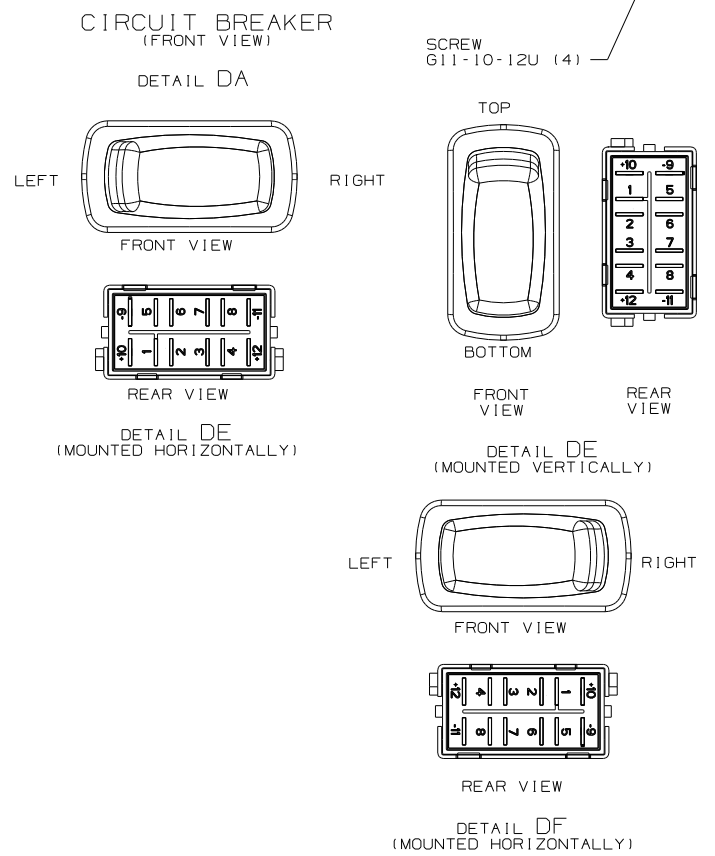
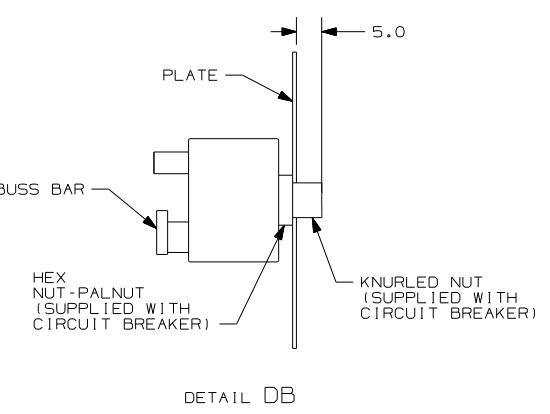
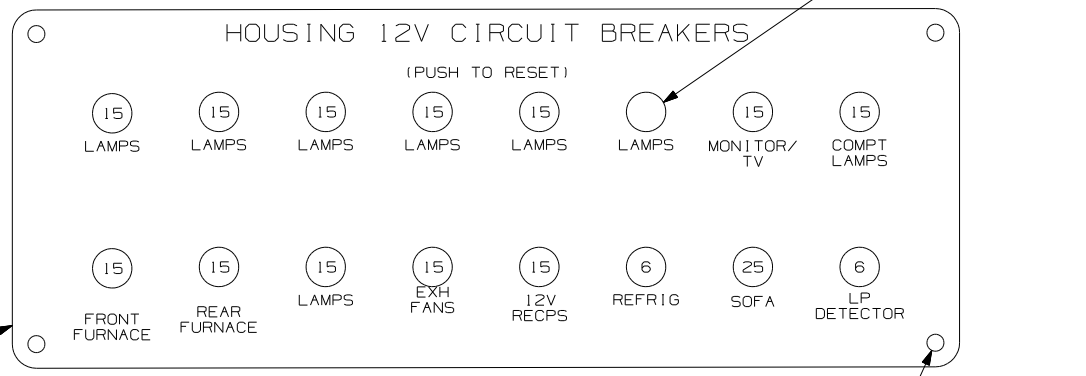
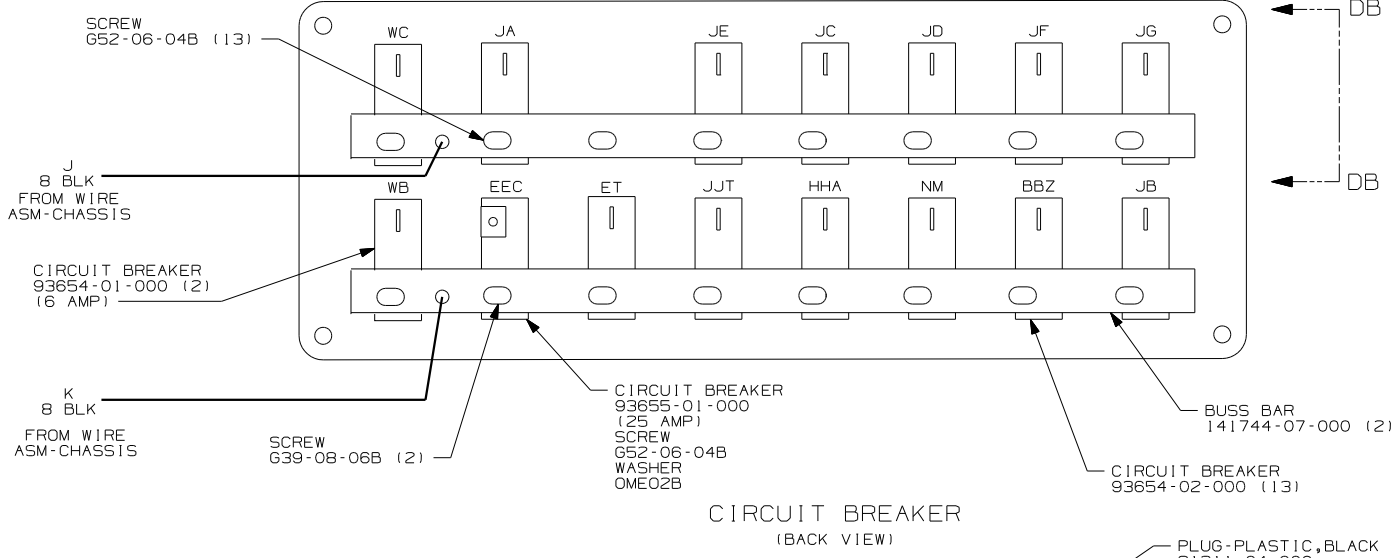
FIRST USED	05 S40FD
TITLE	DO NOT SCALE DRAWING
	WIRING INSTL-BODY, 12V
SHEET 2	PART NO 150773



- NOTES:
- 1. ALL WIRES TO BE SECURED WITH CLAMP 10495 OR 10497 OR WIRE TIE 8343 OR 108046 EVERY 600MM, USE SCREW G67-XX-XXX OR G56-XX-XXX AS APPROPRIATE FOR INSTALLATION.
 - 2. ALL 110V WIRE TO BE CLAMPED WITH CLAMP 10497-05-000 WITHIN 200MM OF OUTLET BOXES, USE SCREW G67-10-12B.
 - 3. ALL GROUND WIRE TO BE COVERED WITH TUBING 8041-02-000.
 - 4. SEE WIRING DIAGRAM-BODY FOR ADDITIONAL INFORMATION.
 - 5. MOUNT SWITCH AND SPACER TO BLOCK ON JAMB, ADJUST HEIGHT TO MATCH MAGNET.
 - 6. MOUNT MAGNET USING PILOT HOLES IN SCREEN DOOR FRAME. MOUNT WITH MAGNET TOWARD SWITCH.
 - 7. SEE WIRING INSTL-FRONT END FOR ADDITIONAL INFORMATION.
 - 8. ROUTE WIRE UNDER CARPET AS SHOWN.
 - 9. WIRES ROUTE UP THRU FLOOR IN THIS AREA.
 - 10. CONNECT TELEPHONE WIRES TO MATCHING COLORS ON PLATE TELEPHONE.
 - 11. ROUTE SLIDEOUT ASM ALONG REAR SLIDEOUT ARM.
 - 12. WITHOUT (64J) TIE BACK TO MAIN WIRE ASM.
 - 13. WITHOUT (43M) TIE BACK TO MAIN WIRE ASM.

- (21K) DINING/COMPUTER TABLE/CHAIRS
- (14W) DINETTE
- (951) STAINLESS STEEL PACKAGE
- (64J) SEAT PED-6-WAY DR/PASS POWER
- (43M) TOILET PORCELAIN-ELONGATE
- (WIN) WINNEBAGO ONLY
- (ITA) ITASCA ONLY
- (265) CODES/STANDARDS-CSA/CMVSS
- (1B1) CODES/STANDARDS USA

FIRST USED	05 S40FD
TITLE	DO NOT SCALE DRAWING
	WIRING INSTL-BODY, 12V
SHEET 3	PART NO 150773



NOTES:

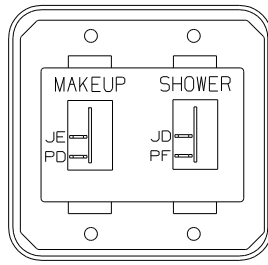
2 FOR SWITCH ORIENTATION SEE DETAIL DF.

1 FOR SWITCH ORIENTATION SEE DETAIL DE.

43W CABINET-LAVATORY

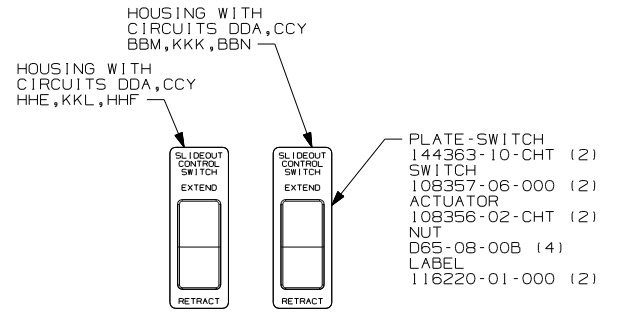
43V CABINET-CHEST OF DRAWERS

FIRST USED	05 S40FD	
TITLE	DO NOT SCALE DRAWING	
	WIRING INSTL-BODY, 12V	
SHEET 4	PART NO	150773



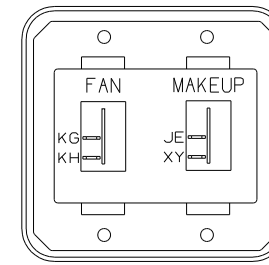
SWITCH-ROCKER
135740-01-CHT (2)
SWITCH-BASE
135741-02-CHT
SWITCH-BEZEL
135742-20-CHT
SCREW
G11-08-08U (4)

DETAIL EA



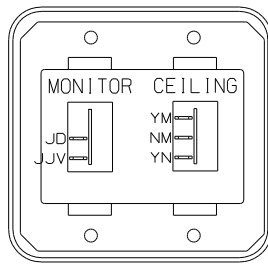
WARNING UNDERSTAND OPERATOR'S MANUAL BEFORE USING. KEEP PEOPLE AND OBSTRUCTIONS CLEAR. SLIDEOUT FROM BEING OPERATED TO AVOID INJURY AND/OR PROPERTY DAMAGE.

DETAIL EE



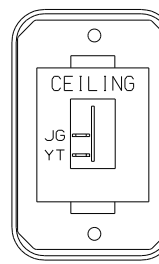
SWITCH-ROCKER
135740-01-CHT (2)
SWITCH-BASE
135741-02-CHT
SWITCH-BEZEL
135742-38-CHT
SCREW
G11-08-08U (4)

DETAIL EJ



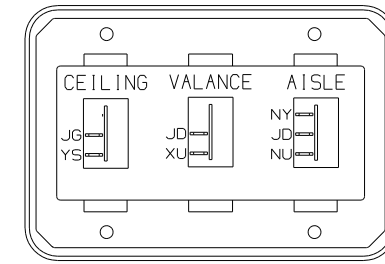
SWITCH-ROCKER
135740-01-CHT
135740-02-CHT
SWITCH-BASE
135741-02-CHT
SWITCH-BEZEL
135742-31-CHT
SCREW
G11-08-08U (4)

DETAIL EB



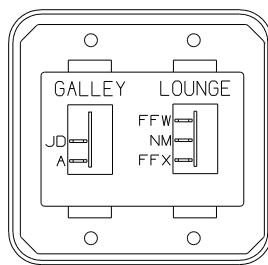
SWITCH-ROCKER
135740-01-CHT
SWITCH-BASE
135741-01-CHT
SWITCH-BEZEL
135742-07-CHT
SCREW
G11-08-08U (2)

DETAIL EF



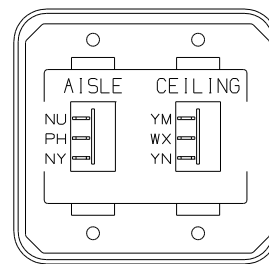
SWITCH-ROCKER
135740-01-CHT (2)
135740-02-CHT
SWITCH-BASE
135741-03-CHT
SWITCH-BEZEL
135742-22-CHT
SCREW
G11-08-08U (4)

DETAIL EK



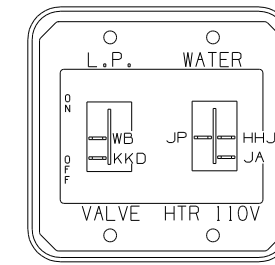
SWITCH-ROCKER
135740-01-CHT
135740-02-CHT
SWITCH-BASE
135741-02-CHT
SWITCH-BEZEL
135742-18-CHT
SCREW
G11-08-08U (4)

DETAIL EC



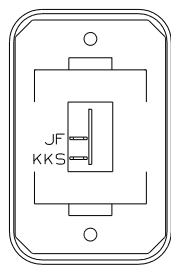
SWITCH-ROCKER
135740-02-CHT (2)
SWITCH-BASE
135741-02-CHT
SWITCH-BEZEL
135742-13-CHT
SCREW
G11-08-08U (4)

DETAIL EG



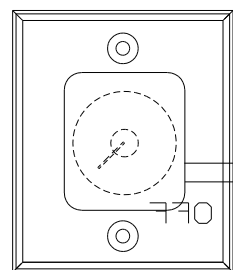
SWITCH-ROCKER
135740-01-CHT
135740-06-CHT
SWITCH-BASE
135741-02-CHT
SWITCH-BEZEL
135742-34-CHT
SCREW
G11-08-08U (4)

DETAIL EL



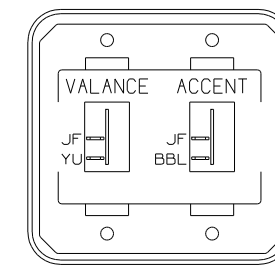
SWITCH-ROCKER
135740-01-CHT
SWITCH-BASE
135741-01-CHT
SWITCH-BEZEL
135742-01-CHT
SCREW
G11-08-08U (2)

DETAIL ED



SWITCH
137889-01-000
SCREW
G11-06-10U (2)

DETAIL EH



SWITCH-ROCKER
135740-01-CHT (2)
SWITCH-BASE
135741-02-CHT
SWITCH-BEZEL
135742-36-CHT
SCREW
G11-08-08U (4)

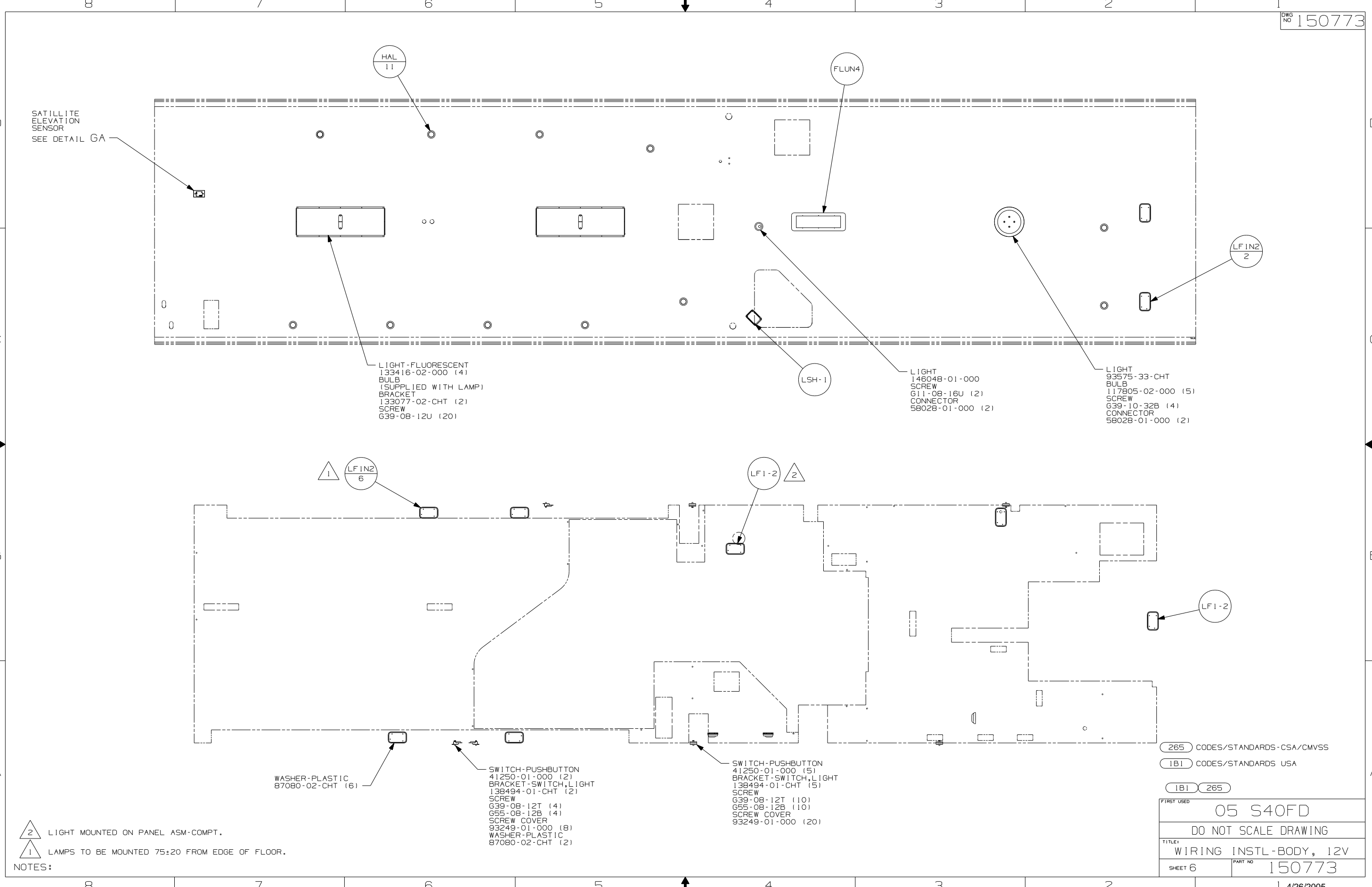
DETAIL EM

265 CODES/STANDARDS-CSA/CMVSS

1B1 CODES/STANDARDS USA

1B1 265

FIRST USED	05 S40FD
TITLE	DO NOT SCALE DRAWING
TITLE	WIRING INSTL-BODY, 12V
SHEET 5	PART NO 150773



SATILLITE ELEVATION SENSOR
SEE DETAIL GA

LIGHT-FLUORESCENT
133416-02-000 (4)
BULB
(SUPPLIED WITH LAMP)
BRACKET
133077-02-CHT (2)
SCREW
G39-08-12U (20)

LIGHT
146048-01-000
SCREW
G11-08-16U (2)
CONNECTOR
58028-01-000 (2)

LIGHT
93575-33-CHT
BULB
117805-02-000 (5)
SCREW
G39-10-32B (4)
CONNECTOR
58028-01-000 (2)

WASHER-PLASTIC
87080-02-CHT (6)

SWITCH-PUSHBUTTON
41250-01-000 (2)
BRACKET-SWITCH,LIGHT
138494-01-CHT (2)
SCREW
G39-08-12T (4)
G55-08-12B (4)
SCREW COVER
93249-01-000 (8)
WASHER-PLASTIC
87080-02-CHT (2)

SWITCH-PUSHBUTTON
41250-01-000 (5)
BRACKET-SWITCH,LIGHT
138494-01-CHT (5)
SCREW
G39-08-12T (10)
G55-08-12B (10)
SCREW COVER
93249-01-000 (20)

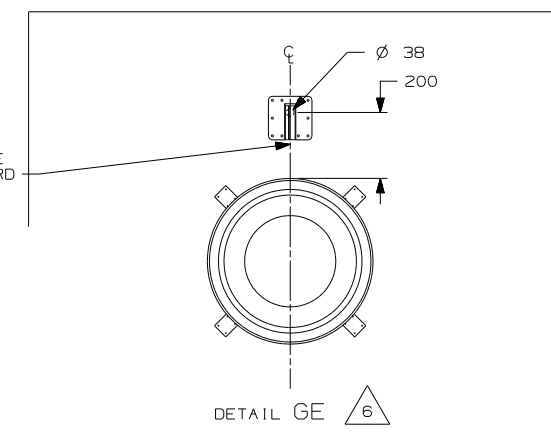
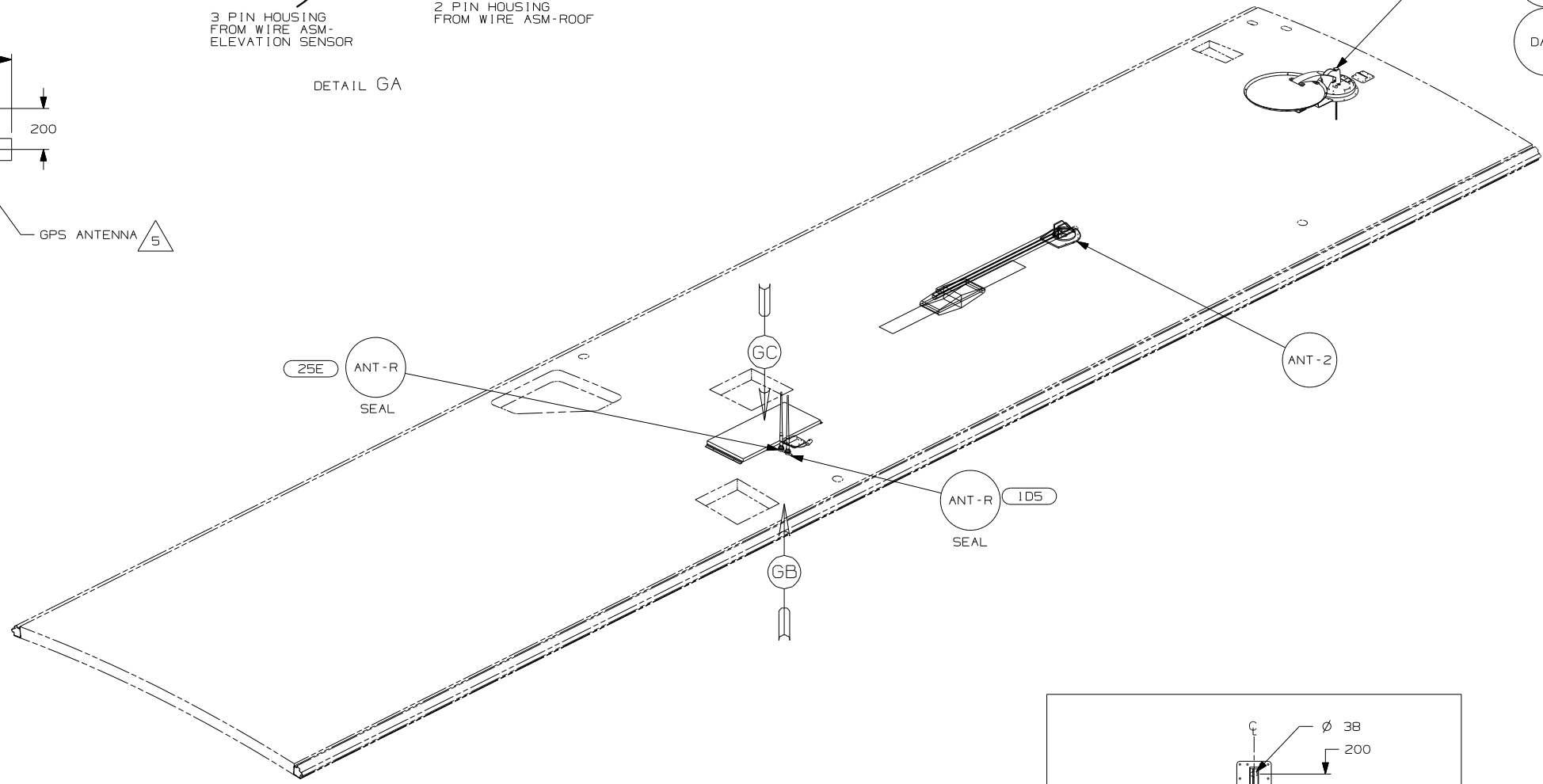
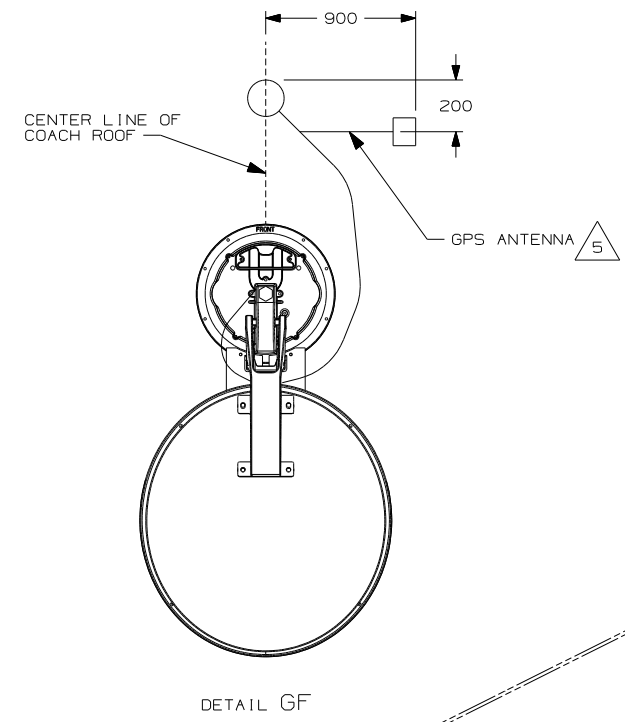
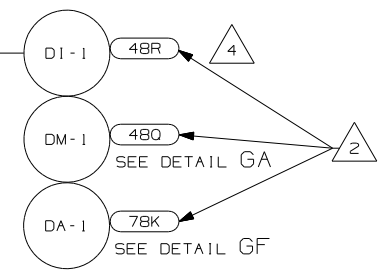
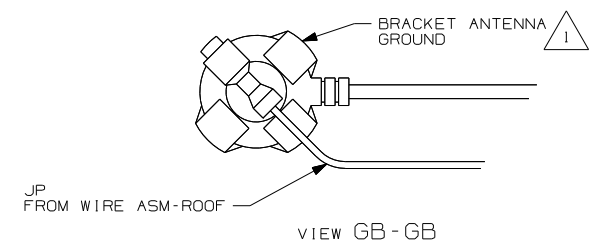
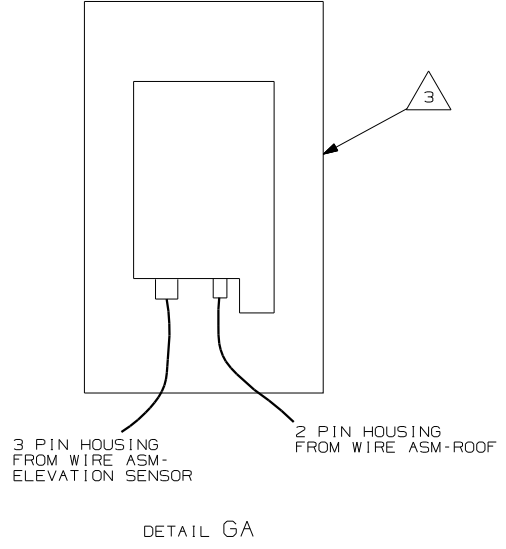
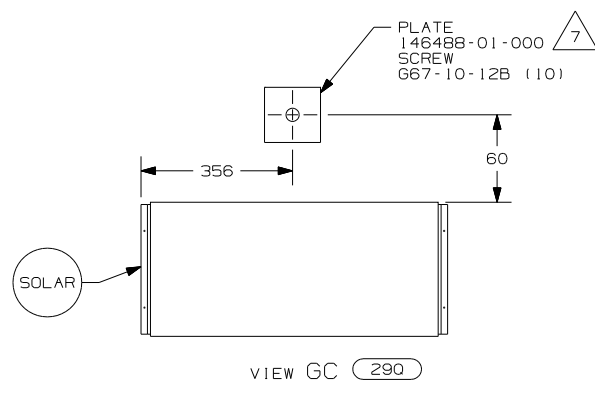
265 CODES/STANDARDS-CSA/CMVSS

1B1 CODES/STANDARDS USA

1B1 265

FIRST USED	05 S40FD
TITLE	DO NOT SCALE DRAWING
TITLE	WIRING INSTL-BODY, 12V
SHEET 6	PART NO 150773

- NOTES:
- 2 LIGHT MOUNTED ON PANEL ASM-COMPT.
 - 1 LAMPS TO BE MOUNTED 75±20 FROM EDGE OF FLOOR.



THE COAX CONNECTION IS TO BE PLACED ON THE CENTERLINE OF THE MOTORHOME FACING FORWARD

- NOTES:
- 7 SEAL
 - 6 REMOVE ALL SHIPPING RESTRAINTS AND FIRMLY INSERT THE SUPPLIED PLUGS INTO THE APPROPRIATE SIZED HOLES AS SPECIFIED IN THE INSTALLATION PROCESS.
 - 5 MOUNT GPS ANTENNA TO THE RIGHT OF THE SATELLITE AS SHOWN. SECURE CABLE WITH ROOF SEALANT.
 - 4 SEE DETAIL GE FOR SATELLITE LOCATION.
 - 3 SENSOR SUPPLIED WITH SATELLITE ASSEMBLY.
 - 2 SEE MANUFACTURER'S INSTALLATION FOR ADDITIONAL INFORMATION.
 - 1 WRAP BRACKET LEGS AROUND ANTENNA BASE.

- 48R SAT. SYS. IN-MOTION W/O RCVR.
- 290 SOLAR PANEL - 10 WATT
- 25E REAR STEREO SYSTEM W/CD
- 105 ENTERTAINMENT CTR/EXT W/CD
- 78K SATELLITE DISH-AUTOMATIC
- 480 SATELLITE DISH & ELEV.SENSOR
- 265 CODES/STANDARDS-CSA/CMVSS
- 1B1 CODES/STANDARDS USA

FIRST USED	
05 S40FD	
DO NOT SCALE DRAWING	
TITLE:	
WIRING INSTL-BODY, 12V	
SHEET 7	PART NO 150773