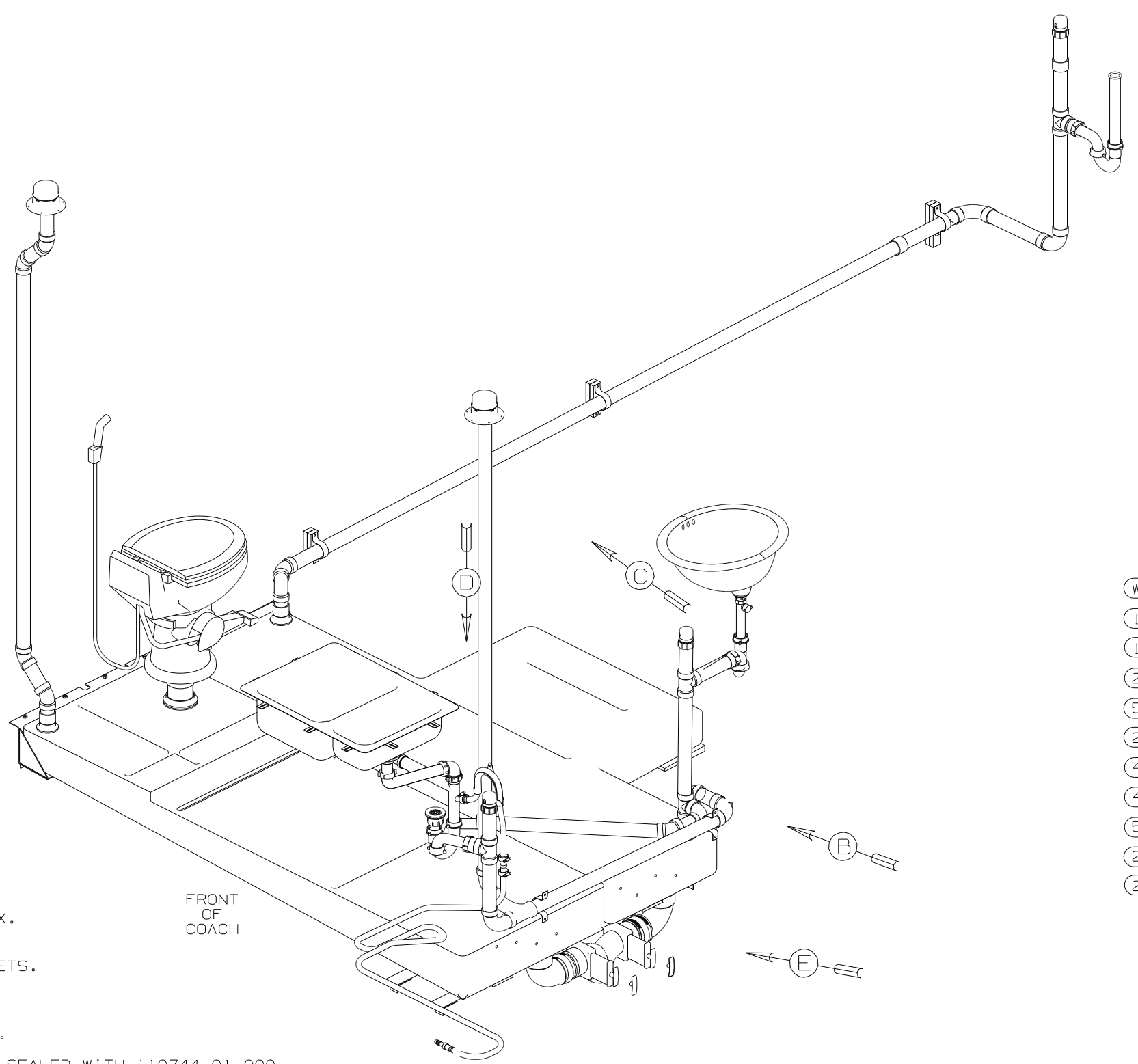


DWG NO	----
149761-01	(WIN)
149761-02	(ITA)

RELEASE	REV DATE	DWG NO
A		149761
REV ZONE	REVISION RECORD	DATE
		DFT-ORIG



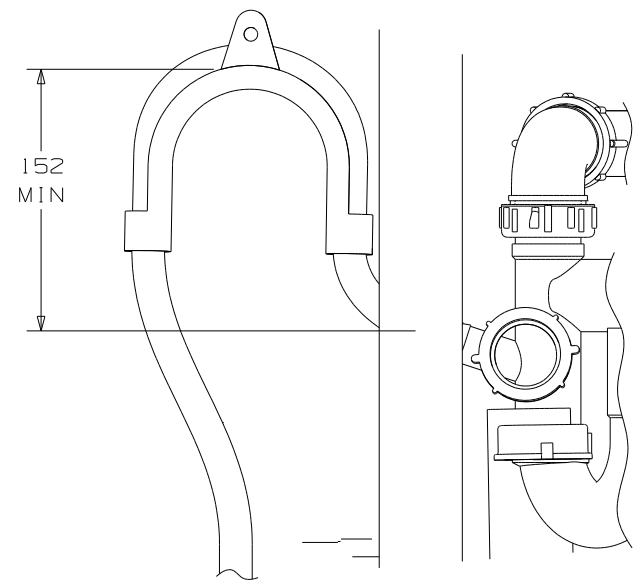
- (WIN) WINNEBAGO ONLY
- (ITA) ITASCA ONLY
- (1B1) CODES/STANDARDS-USA
- (265) CODES/STDS-CSA/CMVSS
- (54E) WASHER/DRYER
- (21M) WASHER/DRYER PREP
- (43M) TOILET PORCELAIN-ELONGATED
- (430) TOILET-PORCELAIN
- (54U) FLOOR/BATH-CERAMIC TILE
- (214) DISHWASHER DRAWER STYLE
- (215) DISHWASHER WITHOUT

- 8 VENT PIPE MUST PROJECT 51 MIN AND 64 MAX. ABOVE ROOF FOR PROPER FIT AND FUNCTION.
7. SEE DWG 61607-01-000 FOR INSTL OF GROMMETS.
6. SEAL ALL AROUND SHOWER WITH SILICONE.
- 5 SECURE VENT TUBES TO FLOOR WITH BRACKET.
4. ALL EXTERIOR OPENINGS AROUND PIPE TO BE SEALED WITH 110744-01-000.
3. ALL PIPE AND FITTINGS TO BE ASSEMBLED WITH SOLVENT 4020-01-000.
2. SLOPE OF TRAP ARM MUST BE 6 PER 305.
1. SLOPE OF HORIZONTAL PIPING TO BE 6 PER 305 mm.

NOTES:

(X-X)
FOR DRAINAGE CALLOUTS SEE DWG NO 116229-01-000

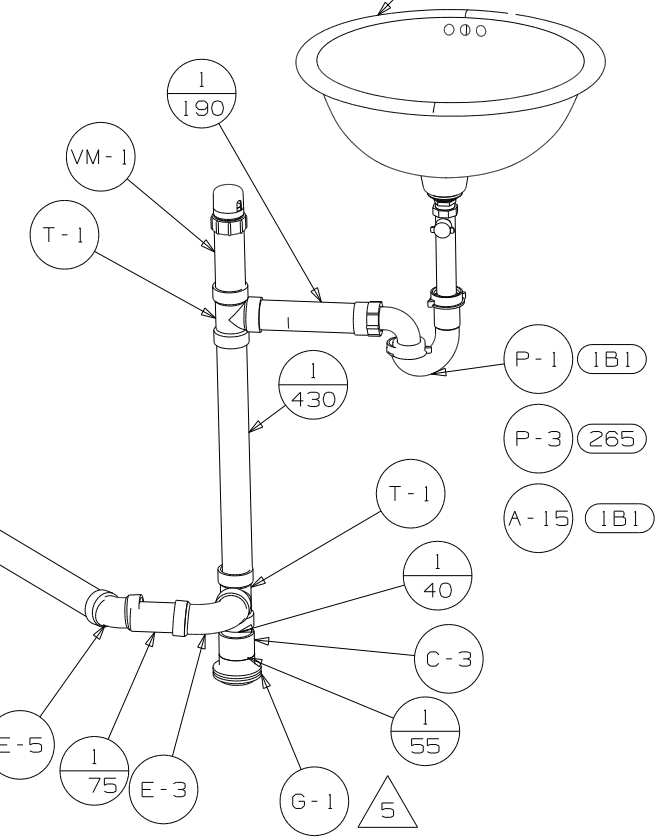
WINNEBAGO		COPYRIGHT 2005 WINNEBAGO INDUSTRIES, INC.	
DFT	ORIG. DATE	ALL DIMENSIONS ARE IN MILLIMETERS	
CHKR		MATERIAL:	
P.E.		UNSPECIFIED TOLERANCES ARE:	
M.E.	FIRST USED	WHOLE DIM (X)	: 3
DSNR	05 S40FD	ONE-PLACE (X.X)	:
		TWO-PLACE (X.XX)	:
		ANGLE	:
		THIRD ANGLE PROJECTION	⊕
DO NOT SCALE DRAWING			
TITLE: DRAINAGE SYSTEM INSTL			
SHEET 1 OF 4	PART NO	149761	



VIEW BC

- SINK-LAV, OVAL CHINA
155318-01-CHT
- POP-UP ASM
SUPPLIED WITH FAUCET
- TAILPIECE
151556-01-CHT
- ANGLE
153338-02-CHT (10)
- WASHER FOAM
147930-01-000

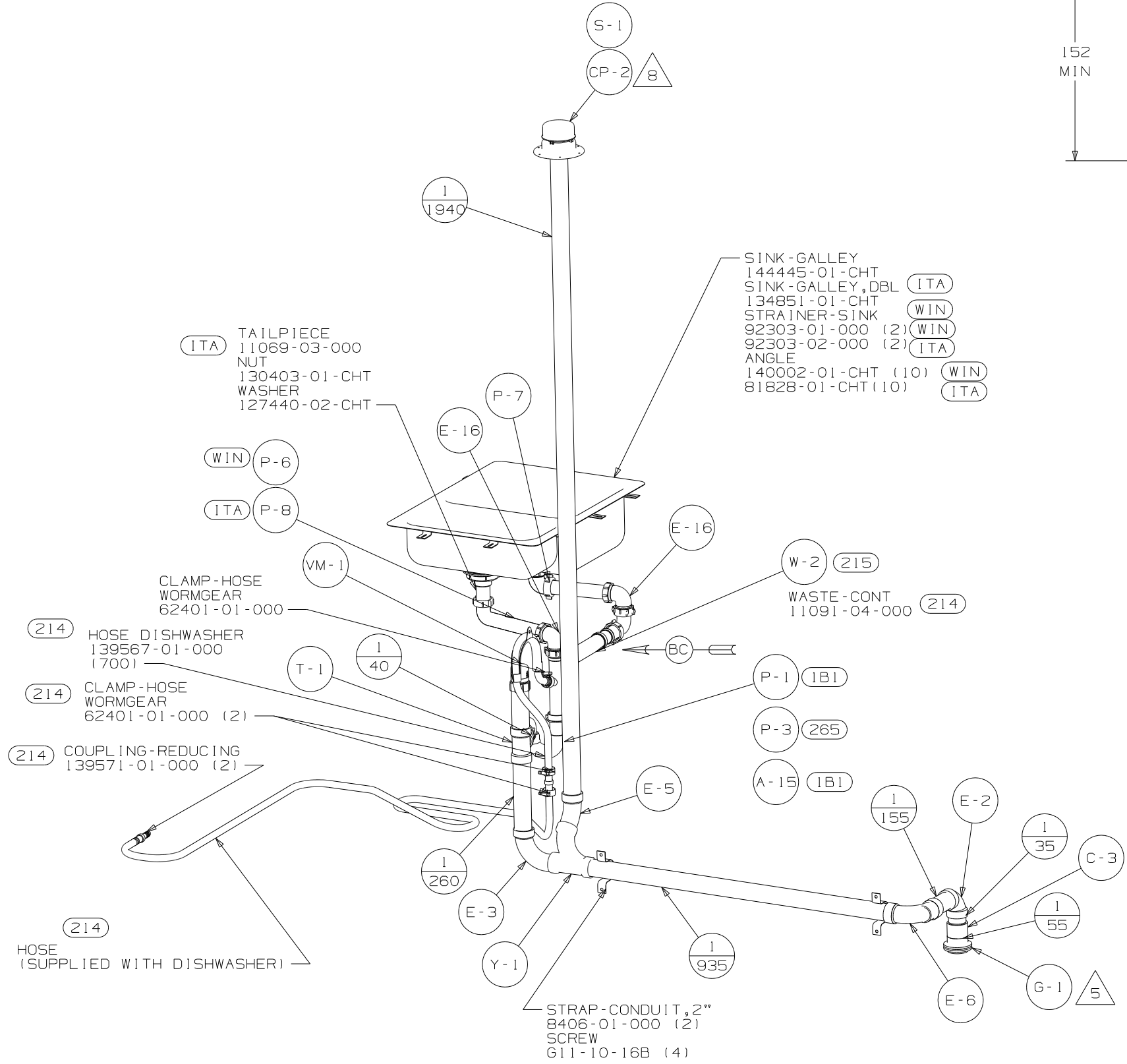
- SHOWER INSTL
142018-02-XXX
- STRAINER
66440-01-000
- SEALER
69640-01-000
- NUT
130403-01-000
- TAIL PIECE
11069-06-000
- WASHER
127440-02-CHT



VIEW B

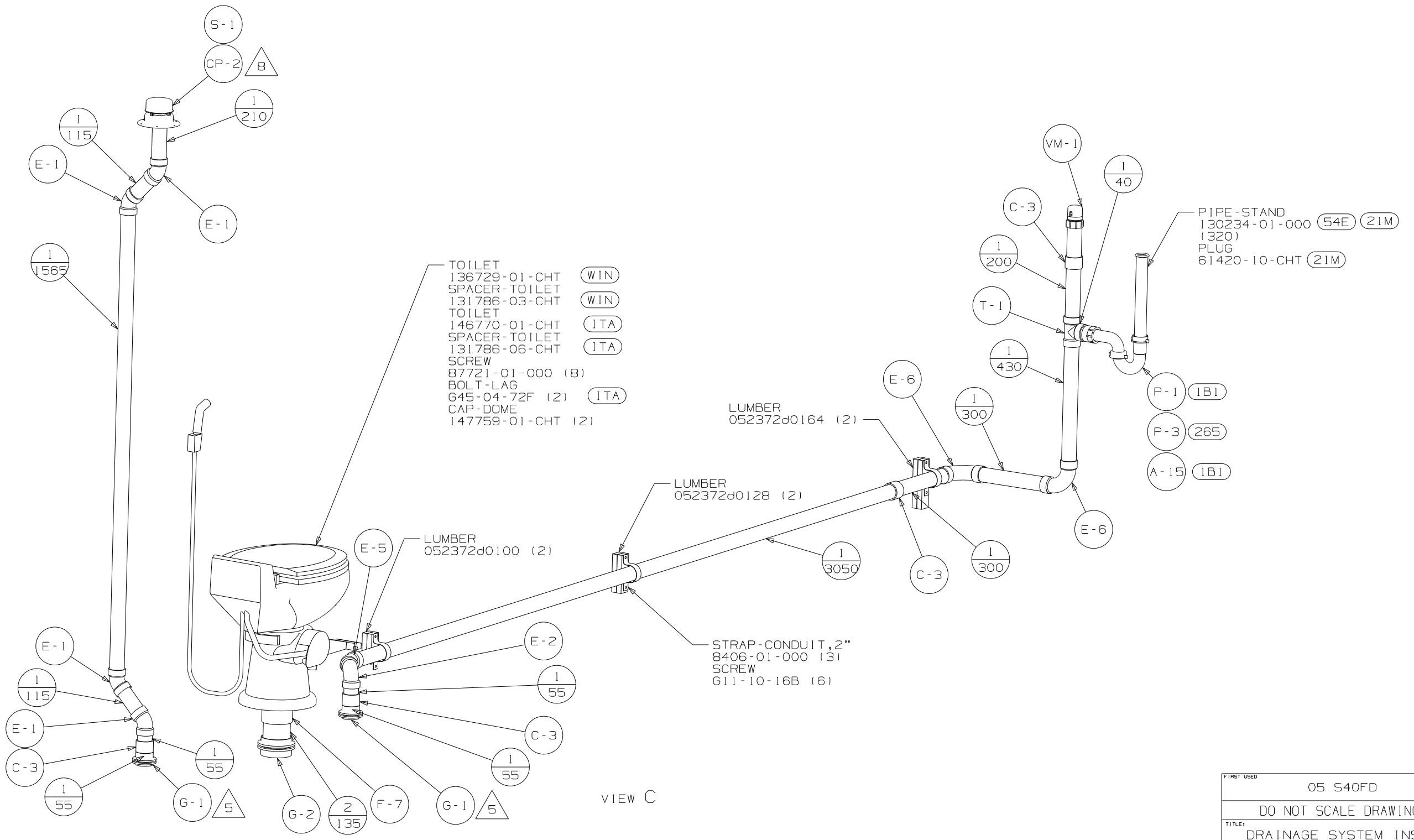
- SINK-GALLEY
144445-01-CHT
- SINK-GALLEY, DBL
134851-01-CHT
- STRAINER-SINK
92303-01-000 (2)
- 92303-02-000 (2)
- ANGLE
140002-01-CHT (10)
- 81828-01-CHT (10)

- TAILPIECE
11069-03-000
- NUT
130403-01-CHT
- WASHER
127440-02-CHT



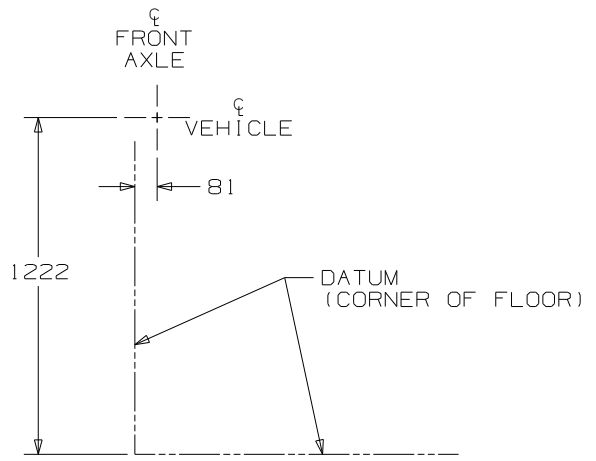
VIEW A

FIRST USED	06 S40FD
DO NOT SCALE DRAWING	
TITLE	DRAINAGE SYSTEM INSTL
SHEET 2	PART NO 149761

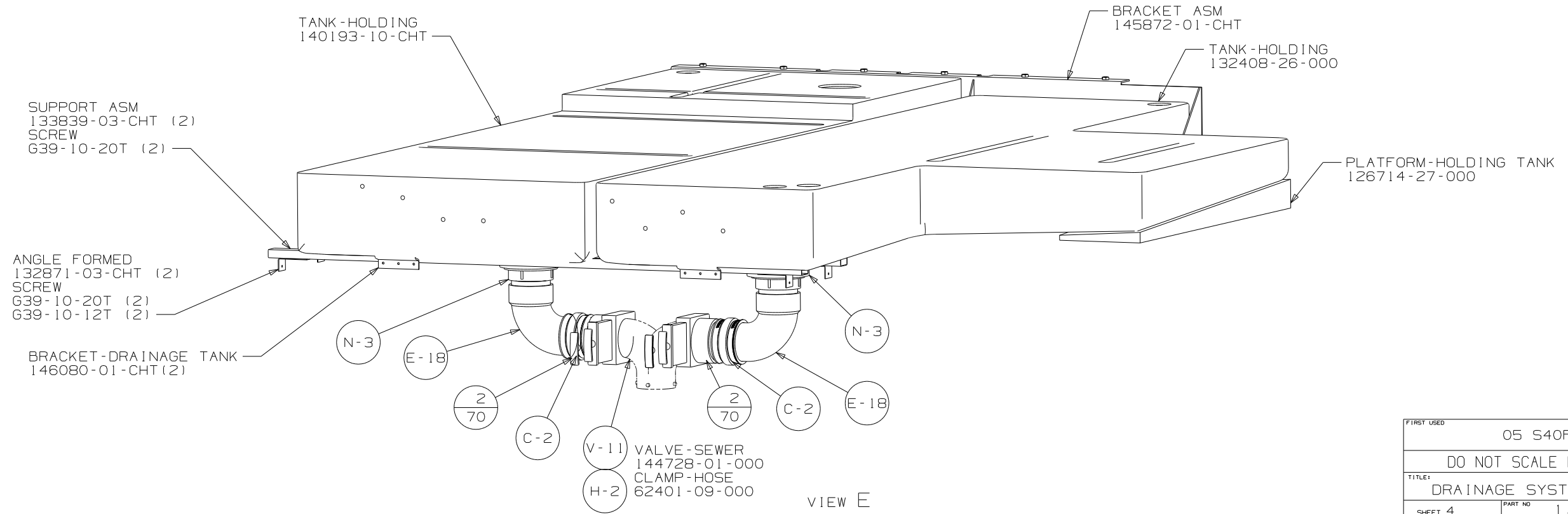
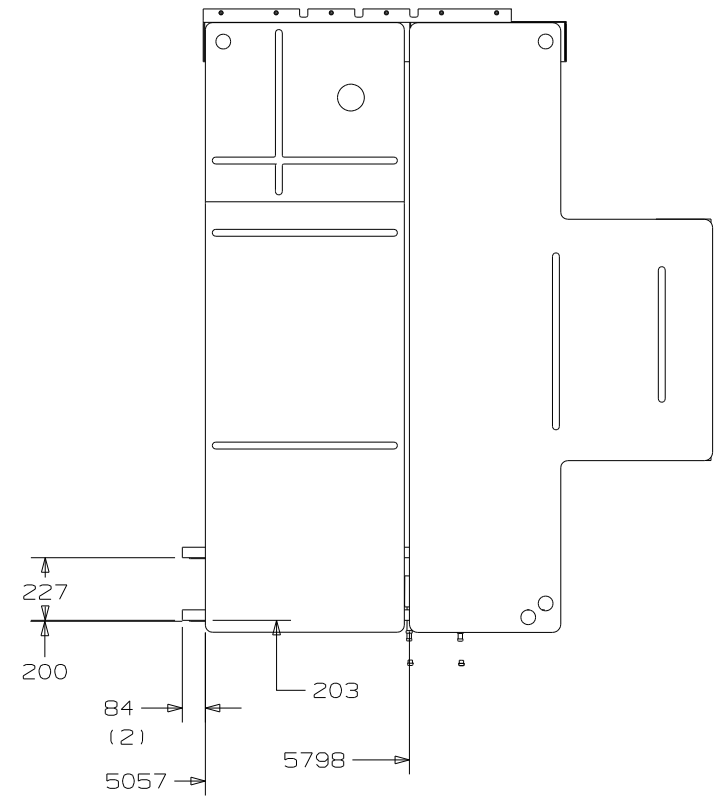


VIEW C

FIRST USED	05 S40FD
TITLE	DO NOT SCALE DRAWING DRAINAGE SYSTEM INSTL
SHEET 3	PART NO 149761
1 3/18/2005	



VIEW D

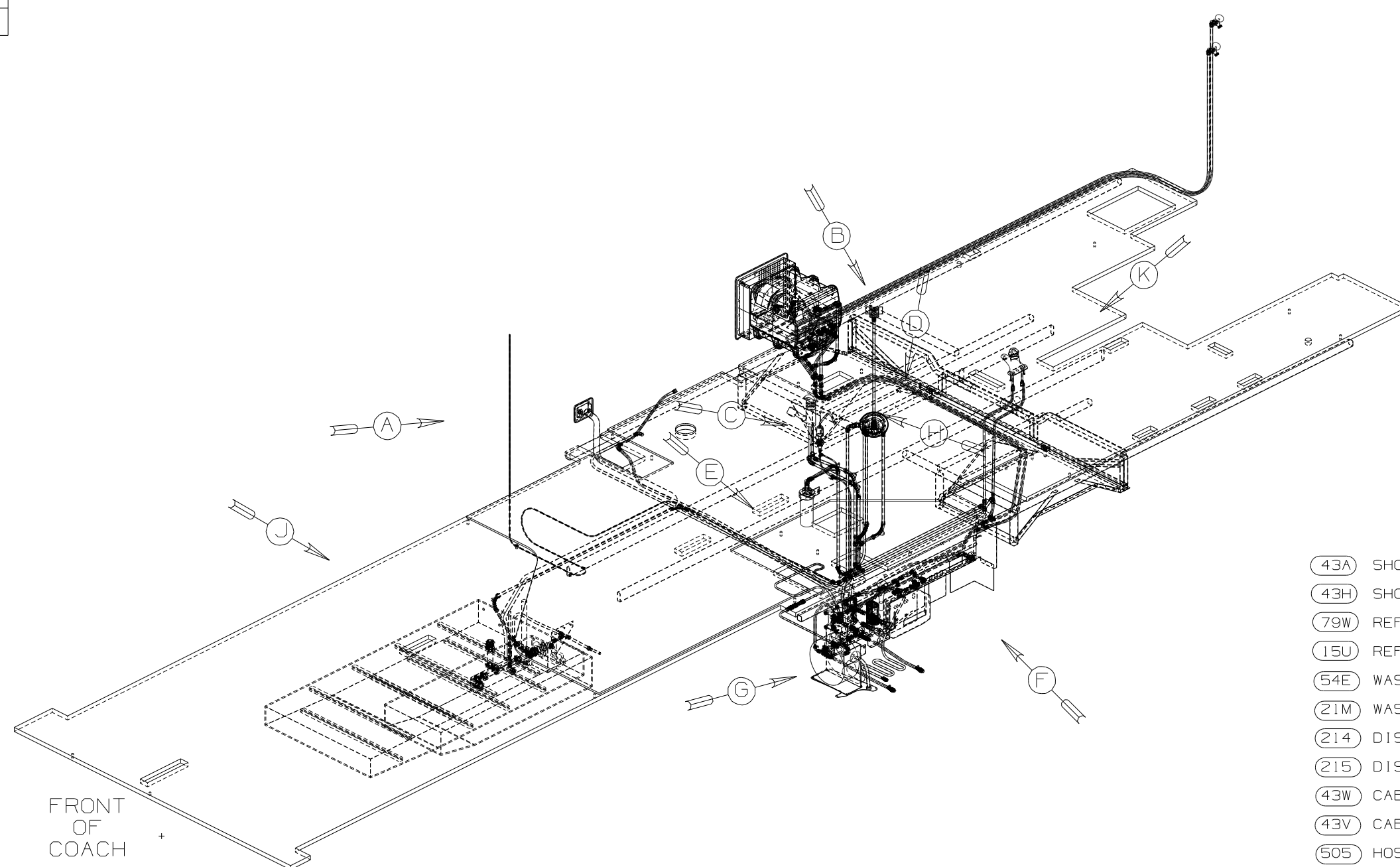


VIEW E

FIRST USED	05 S40FD
TITLE	DO NOT SCALE DRAWING
SHEET 4	PART NO 149761
DRAINAGE SYSTEM INSTL	

DWG NO	----
149764-01	(WIN)
149764-02	(ITA)

RELEASE	REV DATE A	DWG NO 149764
REV ZONE	REVISION RECORD	DATE DFR-ORIG



- (43A) SHOWER HEAD-FIXED
- (43H) SHOWER HEAD-HAND HELD
- (79W) REFRIGERATOR-4 DOOR
- (15U) REFRIGERATOR/FRZR W-ICEMAKER
- (54E) WASHER/DRYER
- (21M) WASHER/DRYER PREP
- (214) DISHWASHER-DRAWER STYLE
- (215) DISHWASHER WITHOUT
- (43W) CABINET-LAVATORY
- (43V) CABINET-CHEST OF DRAWERS
- (505) HOSE REEL-WATER,POWERED

- 7 ADD TEFLON TAPE 10405-02-000.
- 6 ADD TEFLON TAPE 10405-01-000.
- 5 ADD TEFLON TAPE 10405-03-000.
- 4 FLUSHING SYSTEM REQUIRES 125697-06-000 INSTRUCTION SHEET.

- 3. ALL TUBING TO BE SECURED AT 1200 INTERVALS MAXIMUM WITH CLAMP 10495-01-000 OR CLIP 91951-01-000 AND SCREW G67-10-12B.
- 2. TUBING TO BE INSTALLED WITH SUFFICIENT SLOPE TO PROVIDE DRAINAGE TO NEAREST VALVE.
- 1. PLASTIC FITTINGS TO BE SEALED WITH SEALANT 84456-01-000.

NOTES:

WINNEBAGO		COPYRIGHT 2005 WINNEBAGO INDUSTRIES, INC.	
DFTR	ORIG. DATE	ALL DIMENSIONS ARE IN MILLIMETERS	
CHKR		FIRST USED	
P.E.		05 S40FD	
M.E.		UNSPECIFIED TOLERANCES ARE:	
DSNR		MATERIAL:	
		WHOLE DIM (X)	: 7
		ONE-PLACE (X.X)	:
		TWO-PLACE (X.XX)	:
		ANGLE	:
		THIRD ANGLE PROJECTION	
DO NOT SCALE DRAWING			
TITLE: WATER SYSTEM INSTL			
SHEET 1 OF 5		PART NO 149764	

(X-X)
FOR
WATER
CALLOUTS
SEE DWG NO
116230-01-000

- WIN FAUCET-GALLEY, SGL CONT 123744-03-CHT
- ITA 144444-01-CHT
- BACKING
- WIN 139295-01-CHT
- ITA 137079-03-CHT

FAUCET
103635-01-000

BRACKET
143101-01-CHT

43A VALVE-SHOWER
128974-01-CHT

BREAKER-VACUUM
125697-04-000
CHECK VALVE
125697-03-000

FILTER
87200-01-000
CARTRIDGE
87200-02-000
SCREW
667-10-12U (2)

43A FAUCET-TRIM KIT
144596-01-CHT
144596-03-CHT

PLUG-BRASS
145609-01-000

- WIN FAUCET-LAV, SGL CTRL, POL BRAS 128997-01-CHT
- ITA FAUCET-VALVE 149174-01-CHT
- ITA FAUCET-TRIM KIT 149174-02-CHT
- SPACER 105218-01-CHT

VIEW C

FAUCET 21M 54E
98419-01-000 (2)

TO REFRIGERATOR

TO TOILET

DROP-ELL
135028-02-CHT
VALVE-SHOWER
128974-01-CHT
SPACER
130041-03-CHT

SHOWER-HEAD W/SLIDE BAR
143525-01-CHT

FAUCET-TRIM KIT
144596-01-CHT
144596-02-CHT

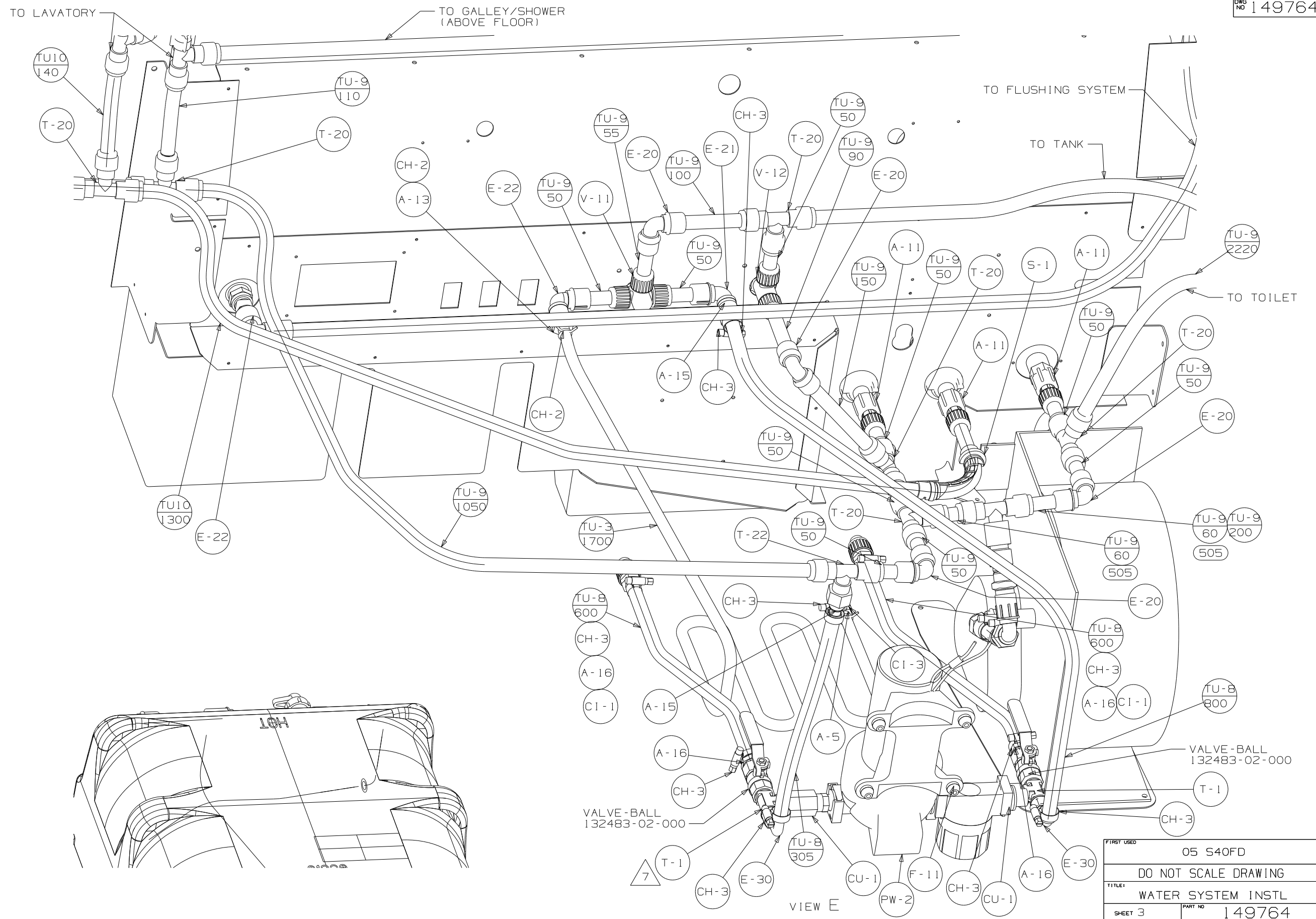
ADAPTER 214
146297-01-000

VIEW A

VIEW D

VIEW B 43H

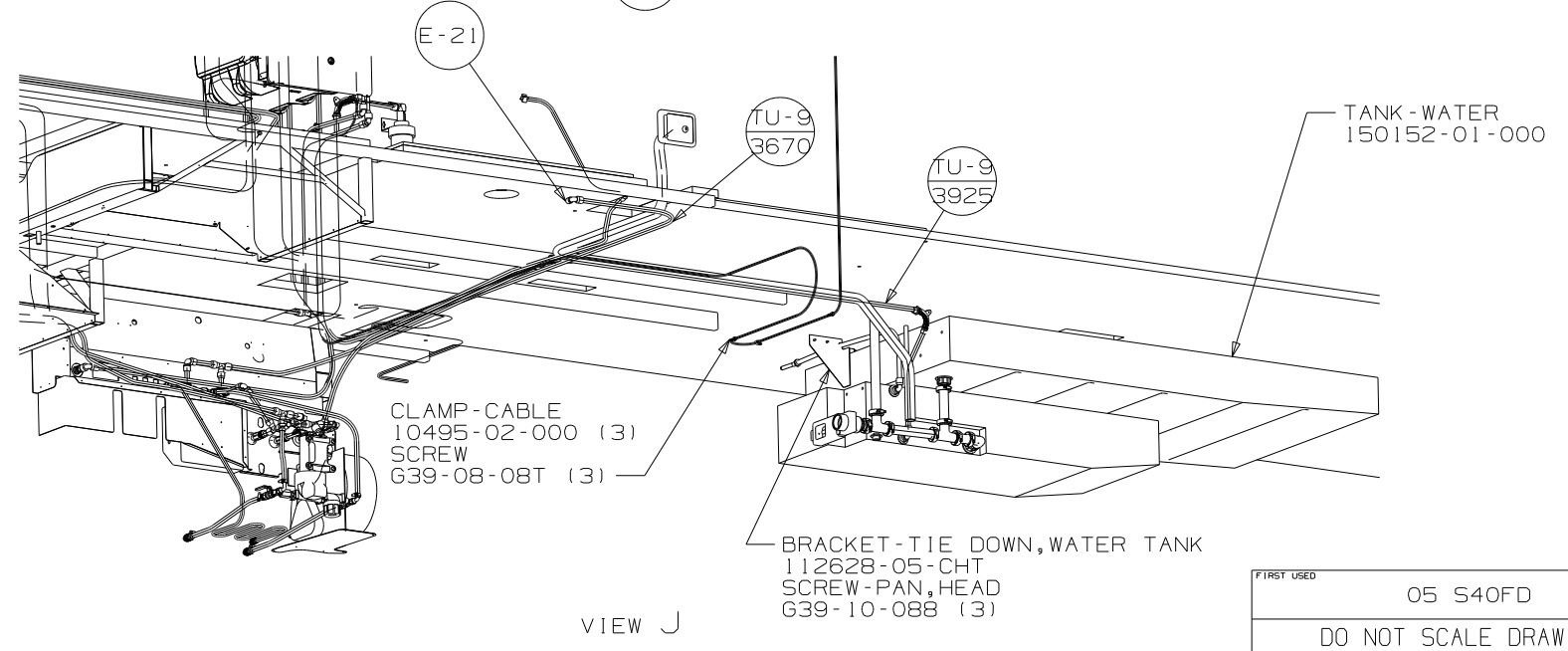
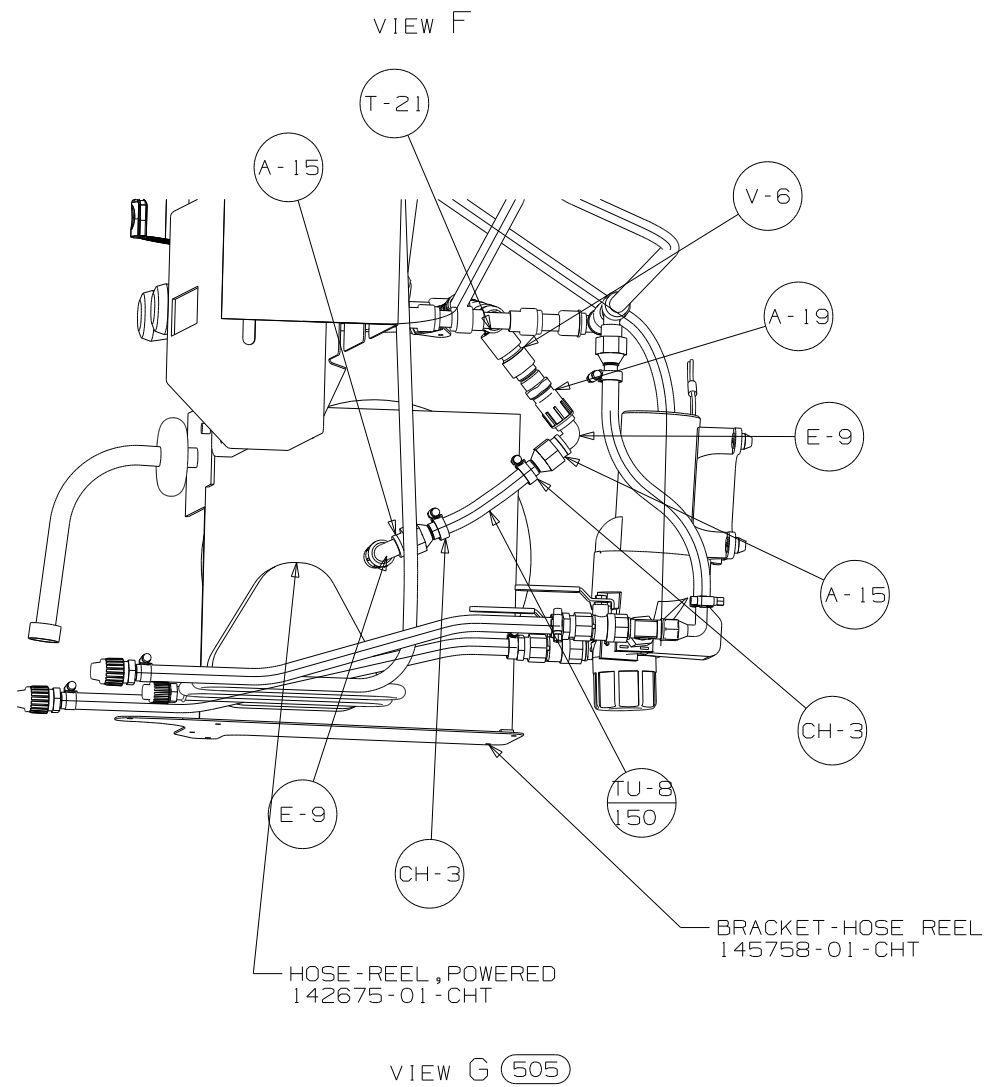
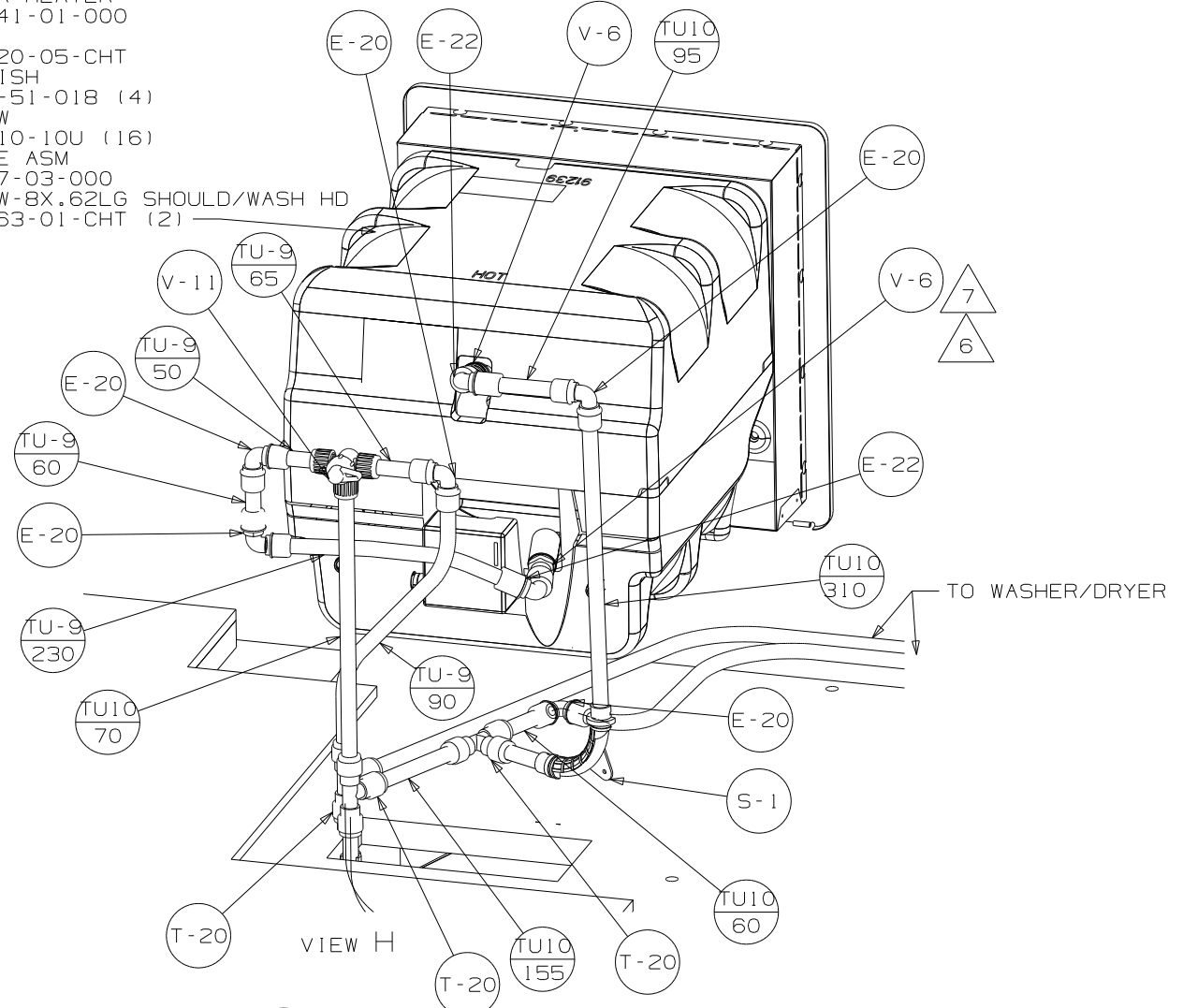
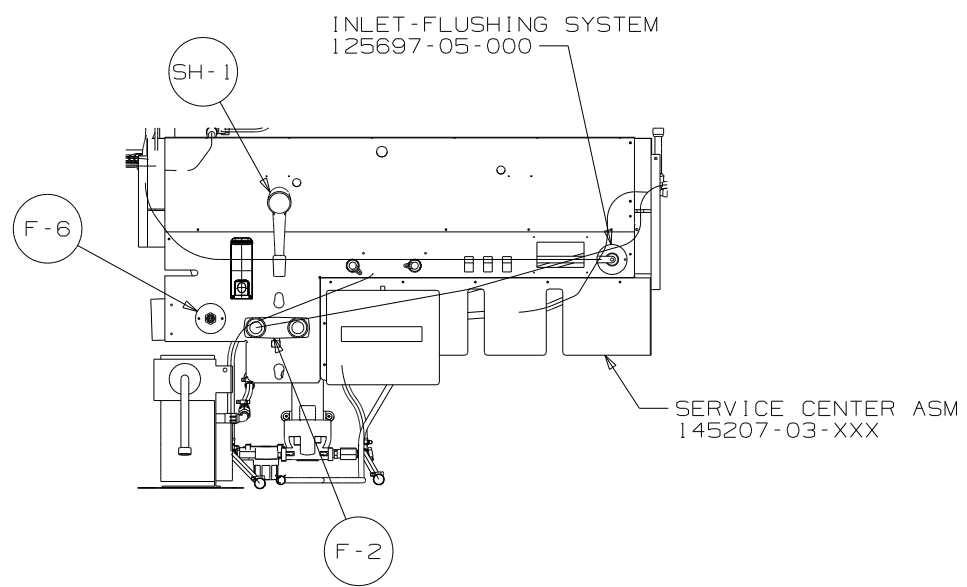
FIRST USED	05 S40FD
TITLE	DO NOT SCALE DRAWING
TITLE	WATER SYSTEM INSTL
SHEET 2	PART NO 149764



FIRST USED	05 S40FD
TITLE:	DO NOT SCALE DRAWING
SHEET 3	PART NO 149764
	1 3/9/2005

VIEW E

- WATER HEATER 145541-01-000
- DOOR 125420-05-CHT
- GARNISH 2726-51-018 (4)
- SCREW 639-10-10U (16)
- CABLE ASM 76767-03-000
- SCREW-8X.62LG SHOULD/WASH HD 113563-01-CHT (2)

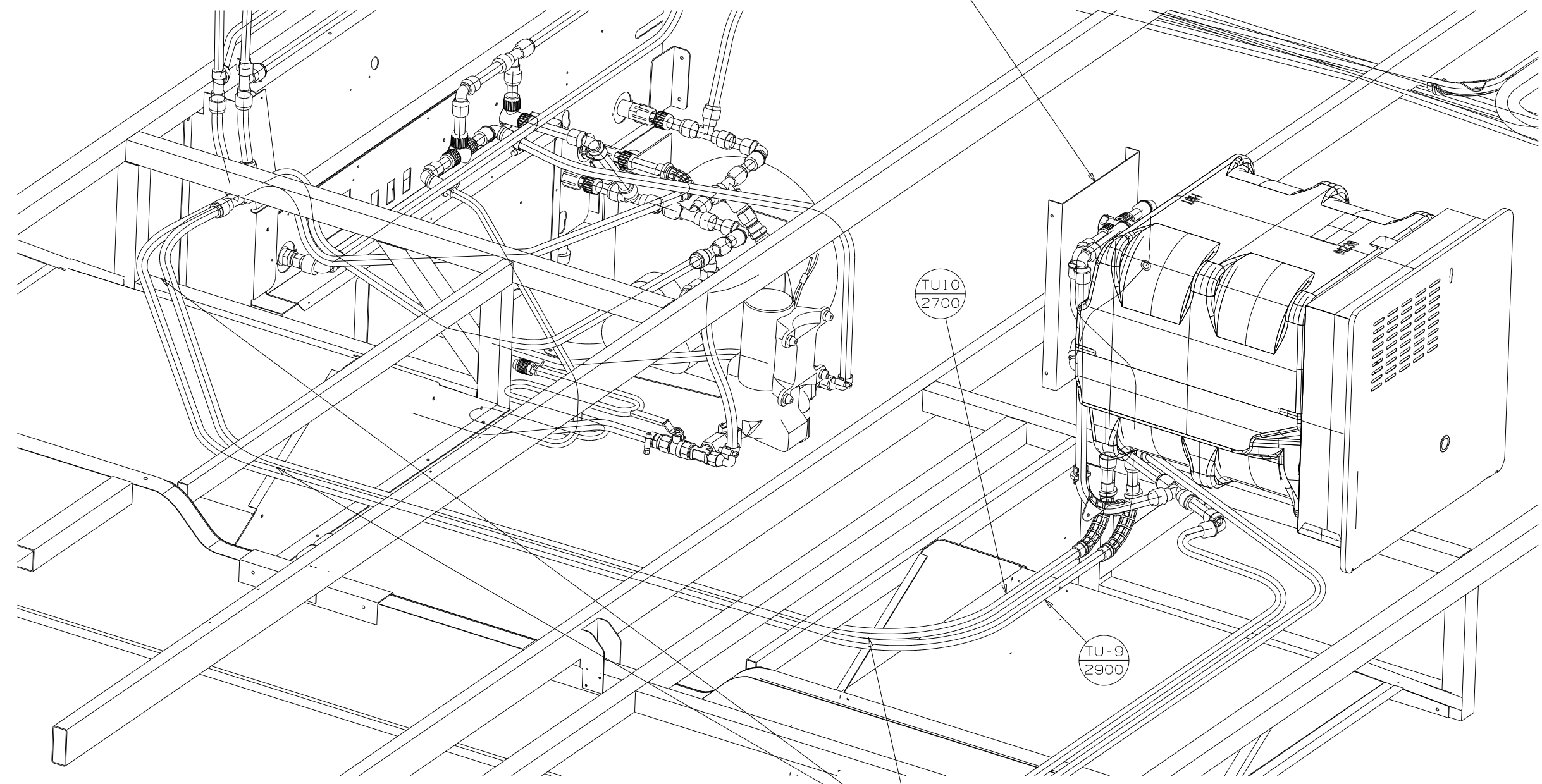


VIEW G (505)

VIEW J

FIRST USED	05 S40FD
TITLE	DO NOT SCALE DRAWING
SHEET 4	PART NO 149764

- BRACKET - VALVE ,BYPASS ,HEATER
- 151245-01 -CHT
- CLAMP
- 10497-03-000
- SCREW
- G19-10-20B
- NUT
- D24-10-00B
- SCREW
- G67-10-12U (2)



TU10
2700

TU-9
2900

VIEW K

CLAMP TO MAINTAIN A
DOWNWARD SLOPE TOWARDS
THE SERVICE CENTER

FIRST USED	05 S40FD
TITLE	DO NOT SCALE DRAWING
	WATER SYSTEM INSTL
SHEET 5	PART NO 149764