



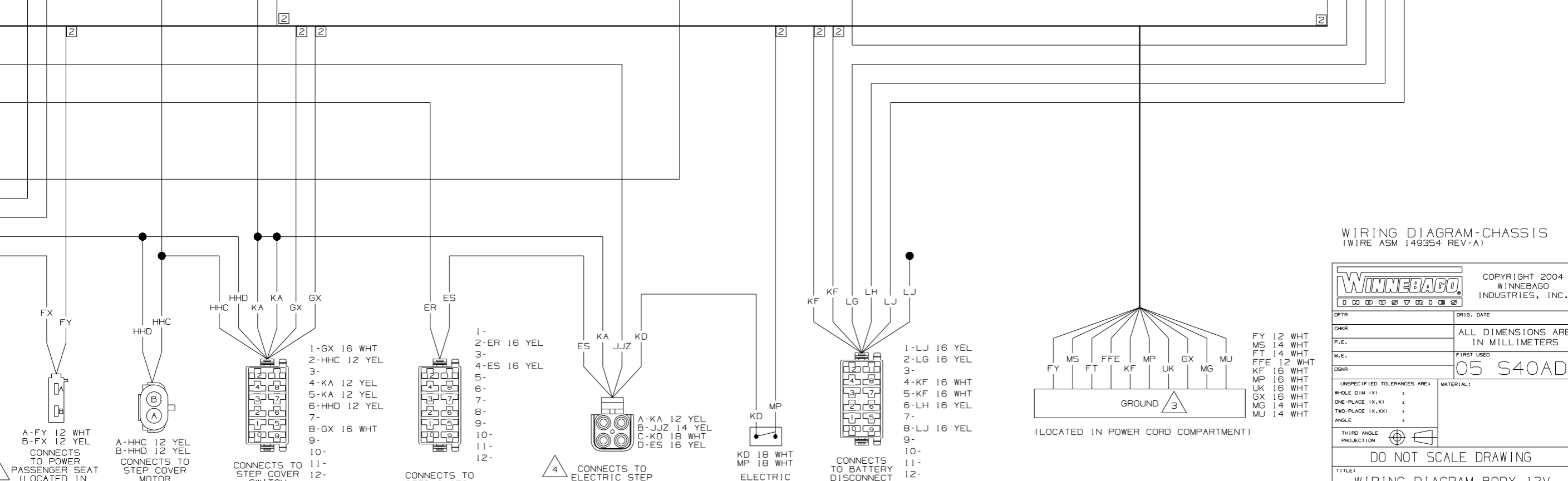
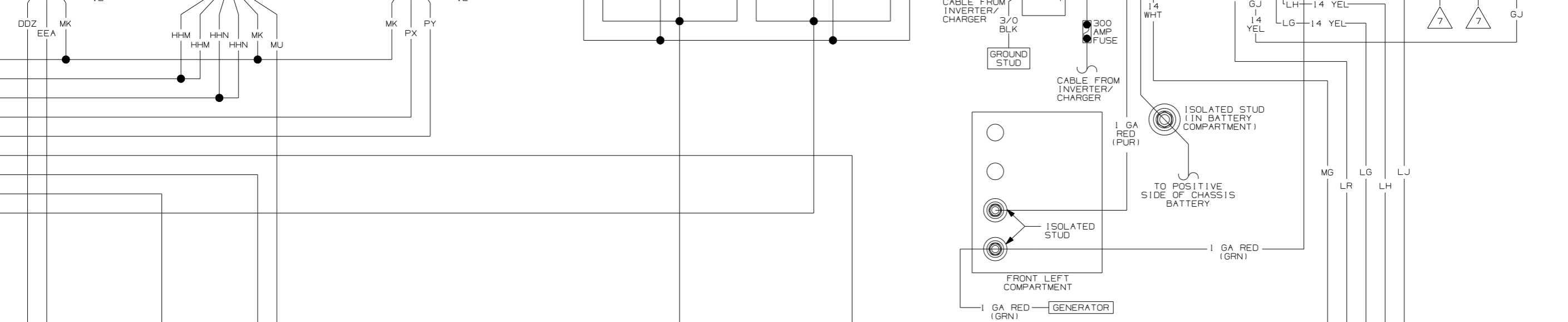
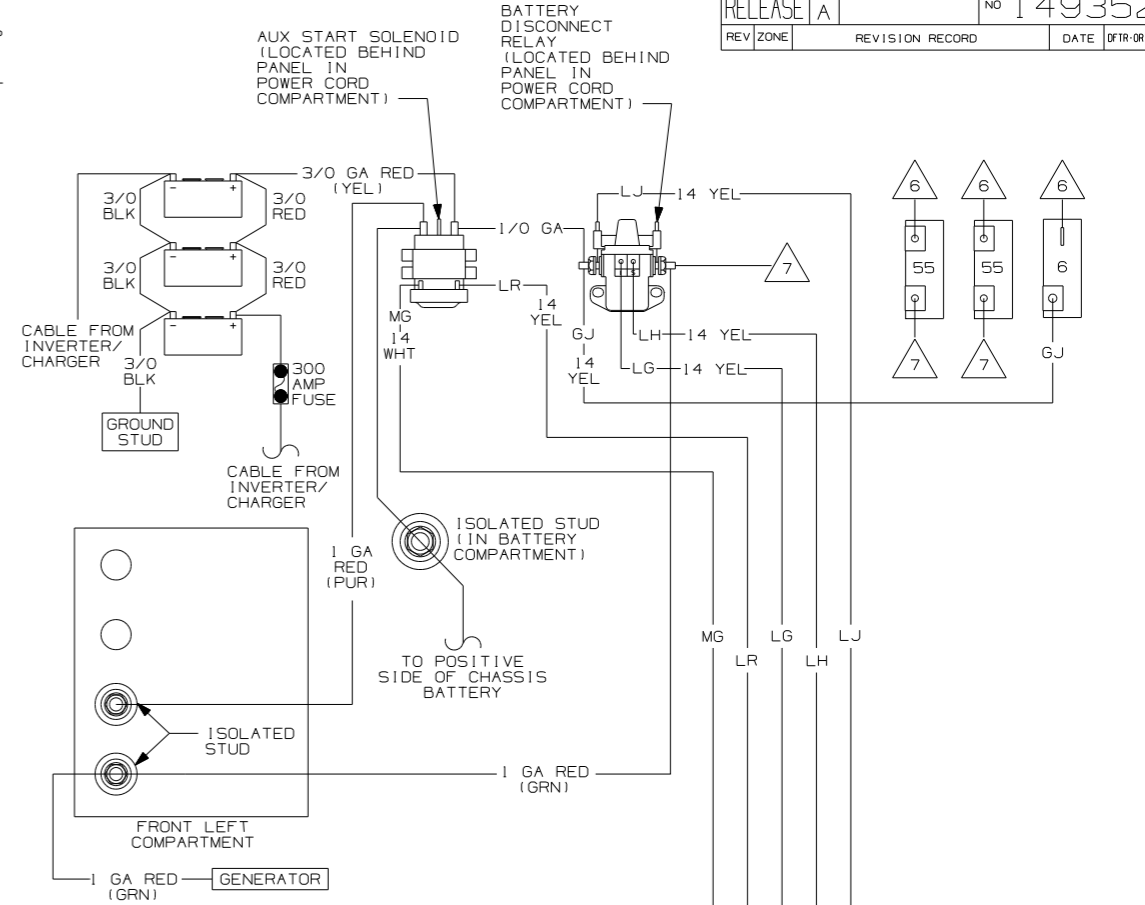
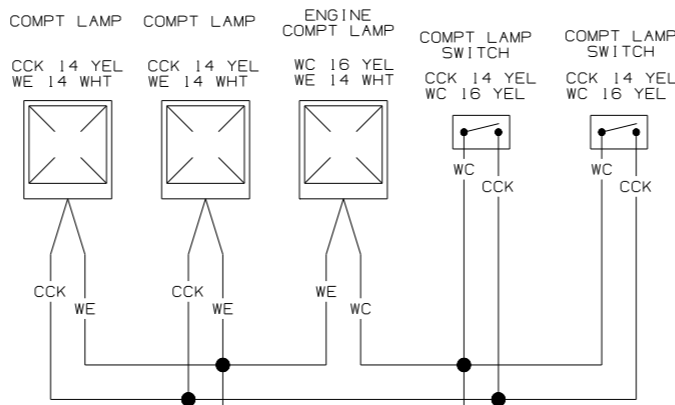
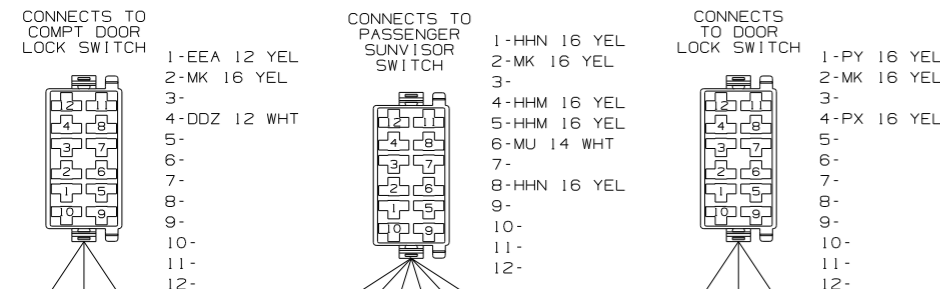
DANGER

Danger of electrical shock, burns or death. Always remove all power sources before attempting any repair, service or diagnostic work. Power can be present from shore power, generator, inverter or battery. All power sources must be disabled and secured before performing any service.



CAUTION

If you lack the skills, tools or equipment to perform diagnostic or repair work leave such work to an authorized Winnebago Industries dealer or other qualified shop.



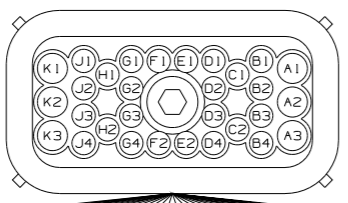
WIRING DIAGRAM-CHASSIS (WIRE ASM 149354 REV-A)

WINNEBAGO COPYRIGHT 2004 WINNEBAGO INDUSTRIES, INC.

DFTR	ORIG. DATE
CHNR	ALL DIMENSIONS ARE IN MILLIMETERS
P.E.	M.E.
DSNR	FIRST USED
UNSPECIFIED TOLERANCES ARE:	
WHOLE DIM (XX)	MATERIAL:
ONE-PLACE (X.X)	
TWO-PLACE (X.XX)	
ANGLE	
THIRD ANGLE PROJECTION	
DO NOT SCALE DRAWING	
TITLE: WIRING DIAGRAM-BODY, 12V	
SHEET 1 OF 7	PART NO 149352

5 CONNECTS TO WIRE ASM-IP MAIN (LOCATED ON FRONT LEFT COMPT)

- A1-AAX 16 WHT
- A2-HHC 12 YEL
- A3-FS 14 YEL
- B1-BBM 16 YEL
- B2-BBN 16 YEL
- B3-CCY 16 YEL
- B4-KKK 16 YEL
- C1-DDA 16 YEL
- C2-HHM 16 YEL
- D1-LL 16 WHT



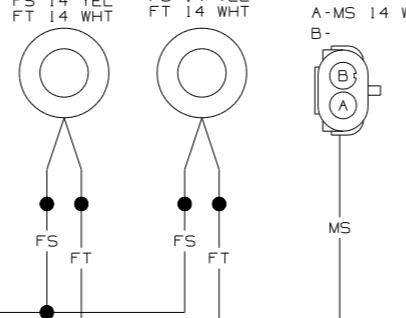
- D2-LM 16 WHT
- D3-LN 16 WHT
- D4-HU 16 YEL
- E1-MM 14 YEL
- E2-WC 16 YEL
- F1-MK 16 YEL
- F2-LR 14 YEL
- G1-DL 16 YEL
- G2-DM 16 WHT
- G3-DJ 16 YEL

- G4-DK 16 WHT
- H1-HHN 16 YEL
- H2-PX 16 YEL
- J1-PJ 16 YEL
- J2-JJZ 14 YEL
- J3-ER 16 YEL
- J4-PY 16 YEL
- K1-FFD 12 YEL
- K2-KA 12 YEL
- K3-AAW 16 YEL

LEFT SIDE DOCKING LAMP

RIGHT SIDE DOCKING LAMP

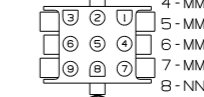
CONNECTS TO WIRE ASM-BACKWALL (LOCATED NEAR RIGHT CHASSIS RAIL)



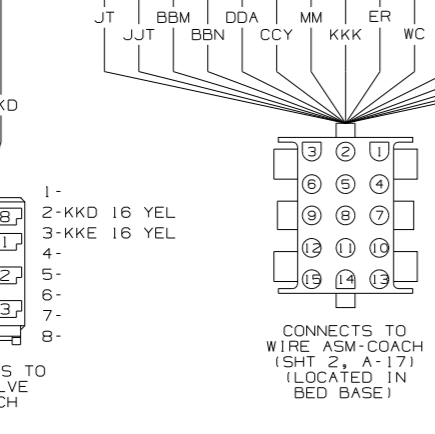
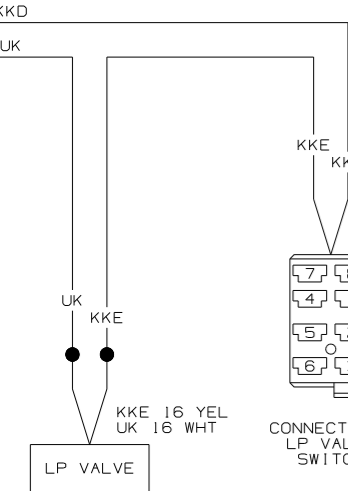
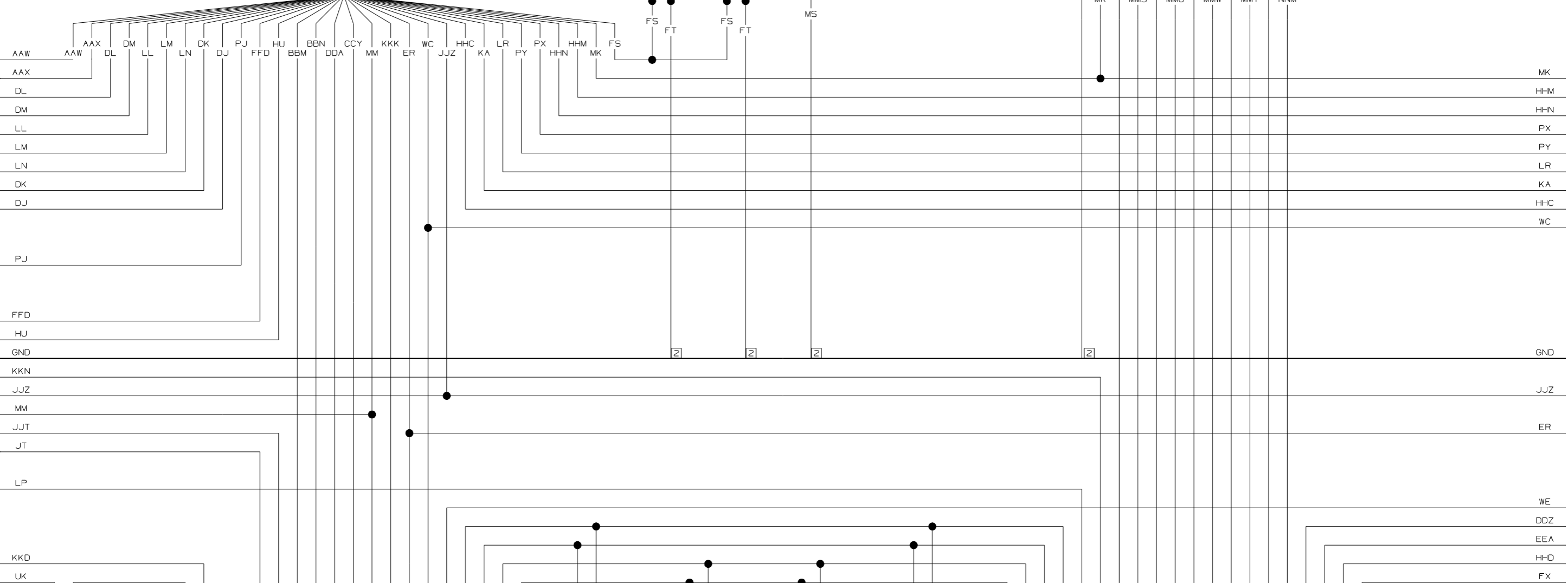
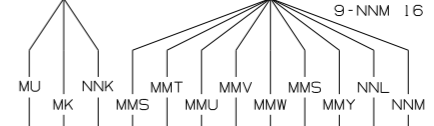
CONNECTS TO PASSENGER TOUCH PAD

CONNECTS TO HEATER/AC CONTROLS

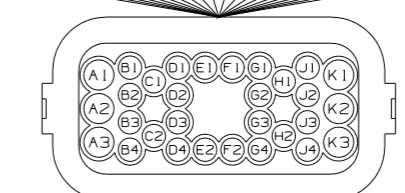
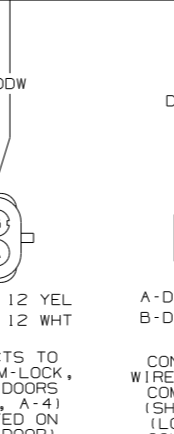
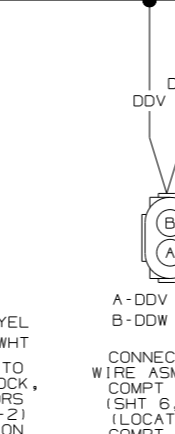
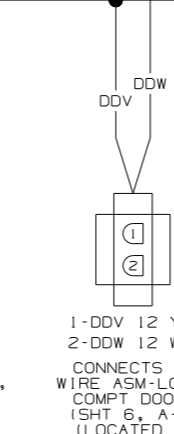
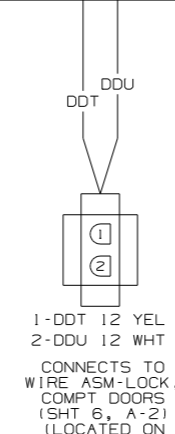
- 1-MK 16 YEL
- 2-MU 16 WHT
- 3-NNK 16 YEL
- 4-



- 1-MMS 12 YEL
- 2-MMT 12 YEL
- 3-MMU 12 YEL
- 4-MMV 12 YEL
- 5-MMW 12 YEL
- 6-MMS 16 WHT
- 7-MMY 156 WHT
- 8-NNL 16 YEL
- 9-NNM 16 YEL

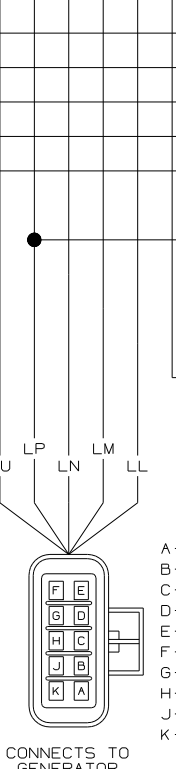
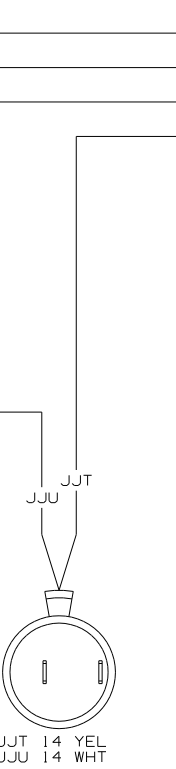
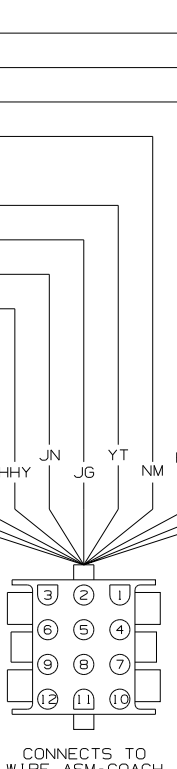
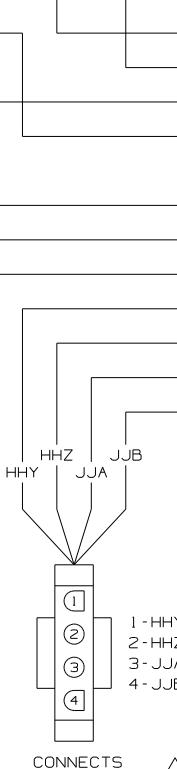
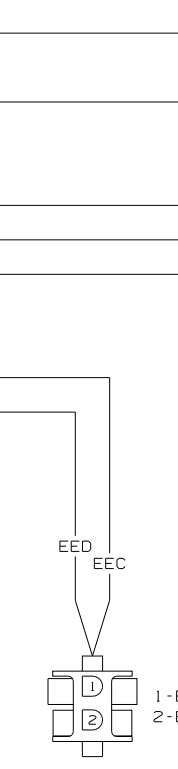
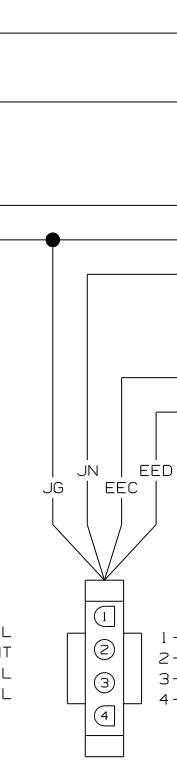
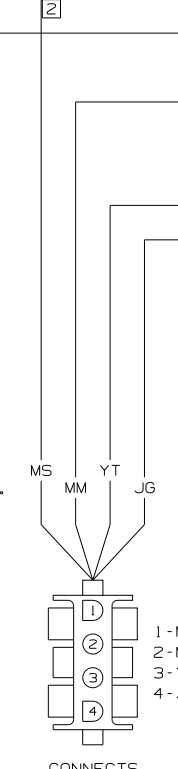
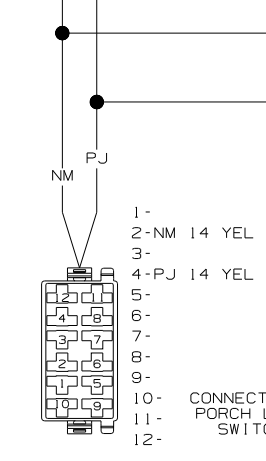
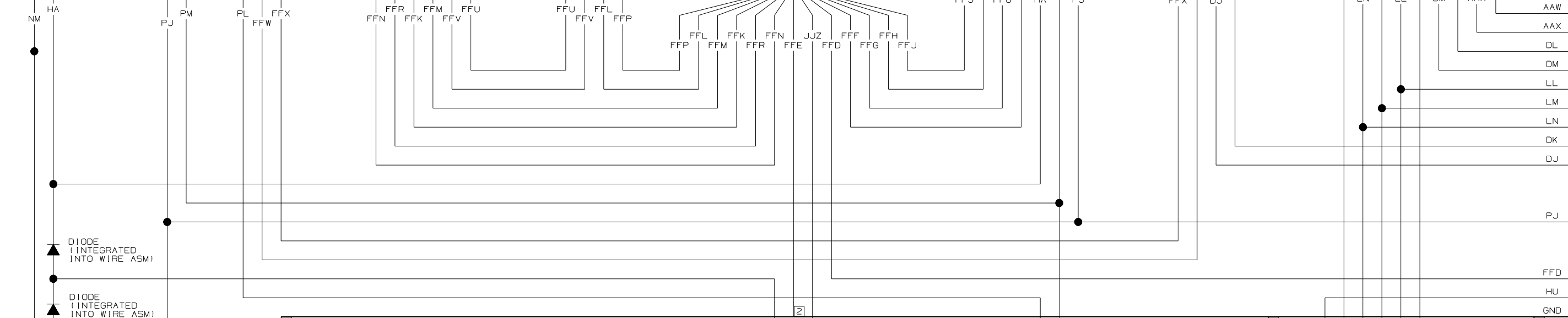
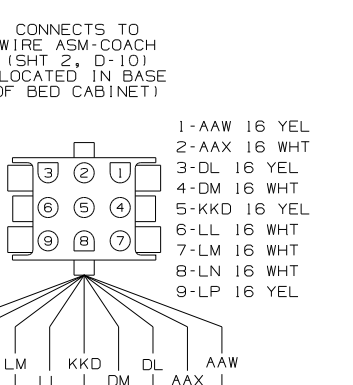
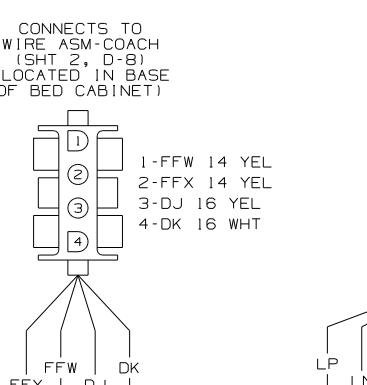
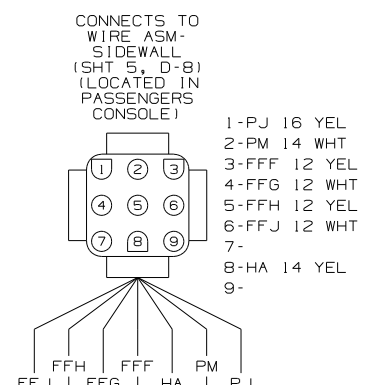
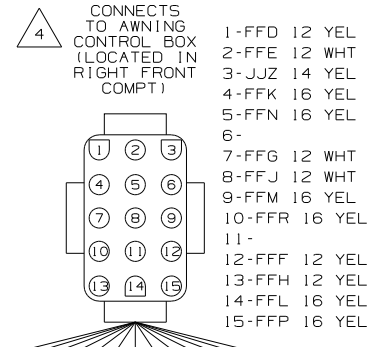
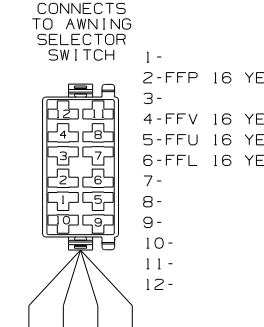
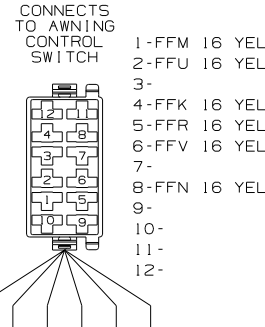
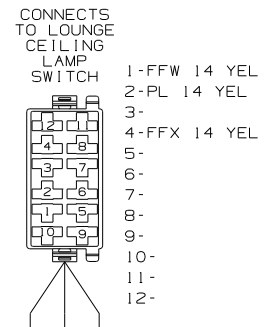
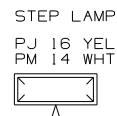
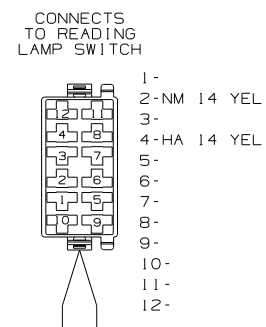


- 1-BBM 16 YEL
- 2-BBN 16 YEL
- 3-DDA 16 YEL
- 4-CCY 16 YEL
- 5-KKK 16 YEL
- 6-MM 14 YEL
- 7-ER 16 YEL
- 8-JT 16 YEL
- 9-WC 16 YEL
- 10-WE 14 WHT
- 11-DDT 12 YEL
- 12-DDU 12 WHT
- 13-DDV 12 YEL
- 14-DDW 12 WHT
- 15-JJT 14 YEL

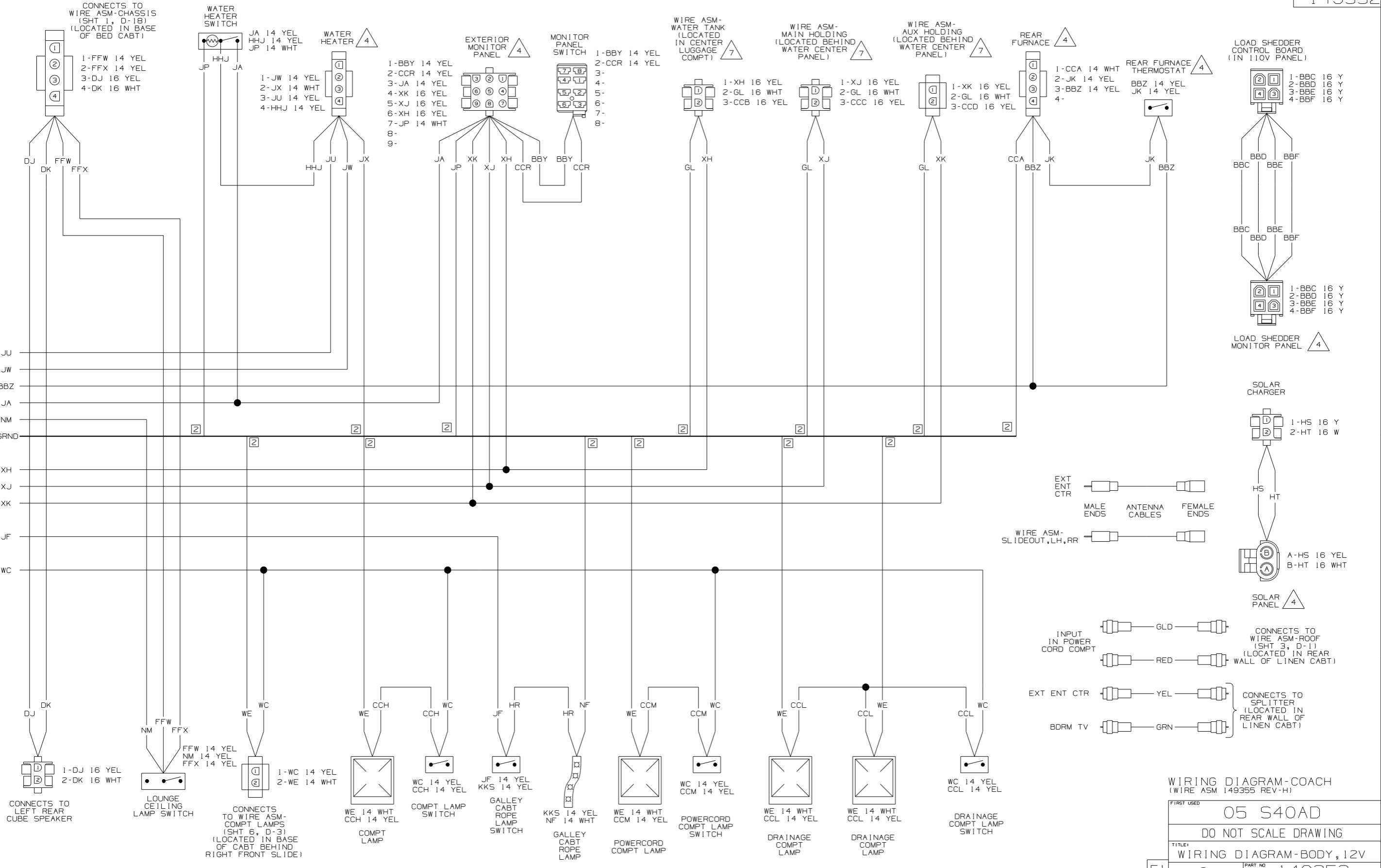


5 CONNECTS TO WIRE ASM-IP MAIN (LOCATED ON FRONT LEFT COMPT)

- A1-DDT 12 YEL
- A2-DDU 12 WHT
- A3-DDV 12 YEL
- B1-
- B2-
- B3-
- B4-
- C1-DDZ 12 YEL
- C2-EEA 12 WHT
- D1-MMS 12 YEL
- D2-MMT 12 YEL
- D3-MMU 12 YEL
- D4-MMV 12 YEL
- E1-NNK 16 YEL
- E2-
- F1-
- F2-
- G1-MMW 16 YEL
- G2-MMX 16 WHT
- G3-MMY 16 WHT
- G4-NNL 16 YEL
- H1-LP 16 YX
- H2-NNM 16 YEL
- J1-
- J2-
- J3-
- J4-KKN 16 YEL
- K1-DDW 12 WHT
- K2-HHD 12 YEL
- K3-FX 12 YEL



- NOTES:
- 7 SEE SHT 7 FOR ADDITIONAL INFORMATION.
 - 6 SEE WIRING DIAGRAM-COACH (SHT 2) FOR ADDITIONAL INFORMATION.
 - 5 SEE WIRING DIAGRAM-AUTO FOR ADDITIONAL INFORMATION.
 - 4 SEE MANUFACTURERS DIAGRAM FOR ADDITIONAL INFORMATION.
 - 3 GROUNDS ARE SHOWN AS A SINGLE LINE FOR EASE IN TRACING. EACH GROUND CIRCUIT IS SEPERATE IN THE HARNESS.
 - 2 NOT A SPLICE POINT. INDICATES ENTRY INTO WIRING HARNESS.



WIRING DIAGRAM-COACH
(WIRE ASM 149355 REV-H)

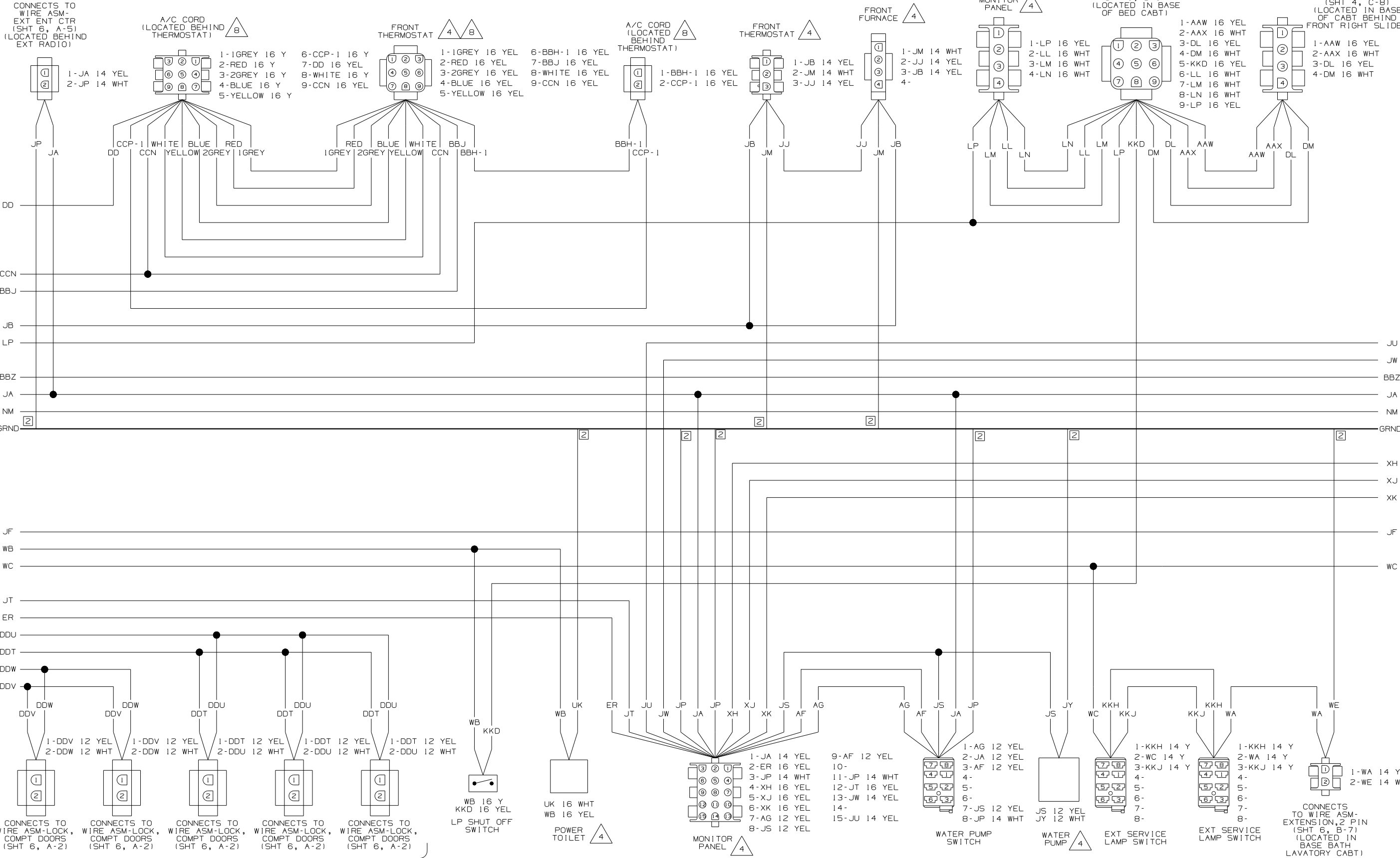
FIRST USED: 05 S40AD

DO NOT SCALE DRAWING

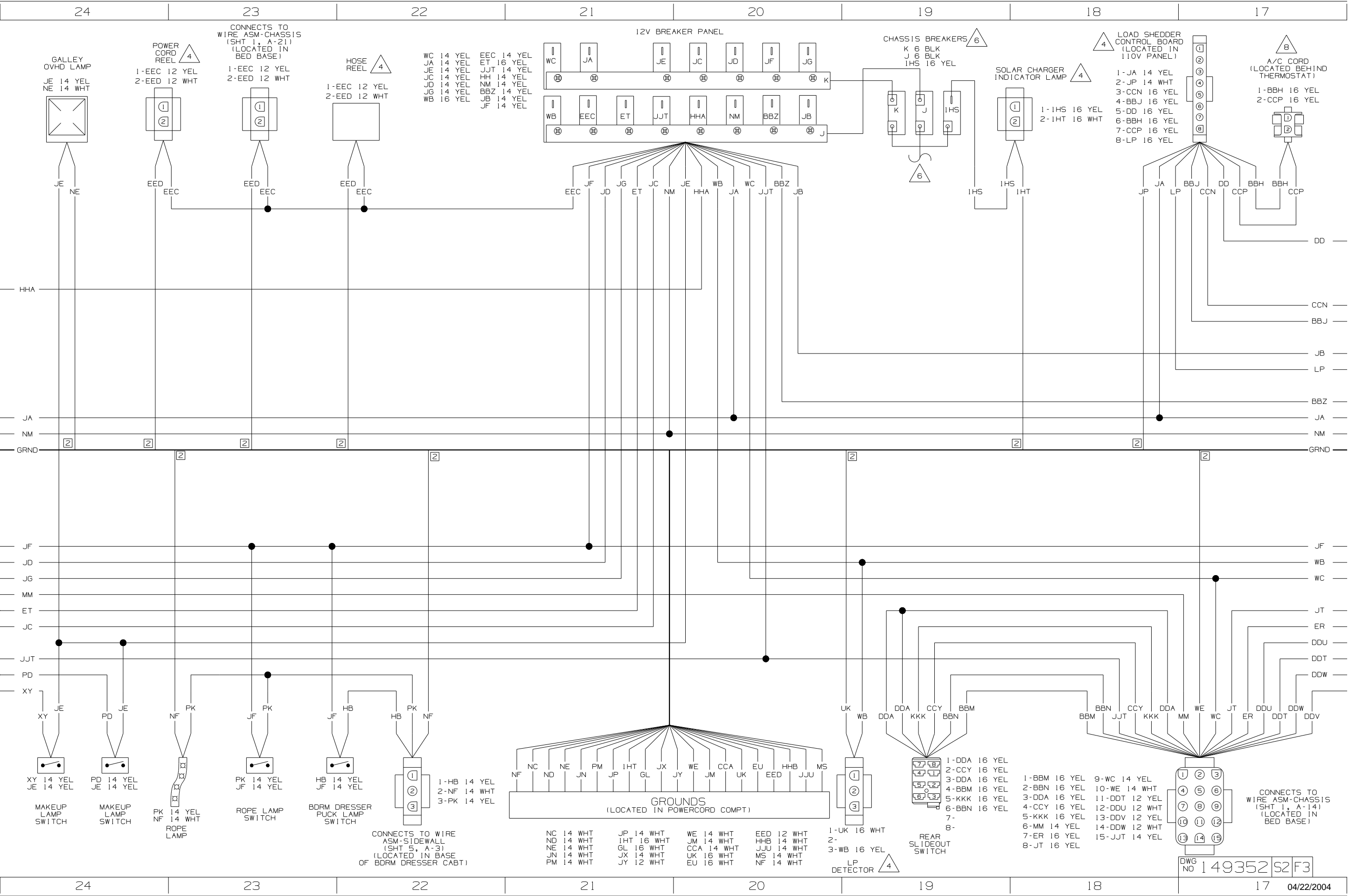
TITLE: WIRING DIAGRAM-BODY, 12V

SHEET 2 PART NO 149352

F1



(LOCATED BEHIND DOOR)



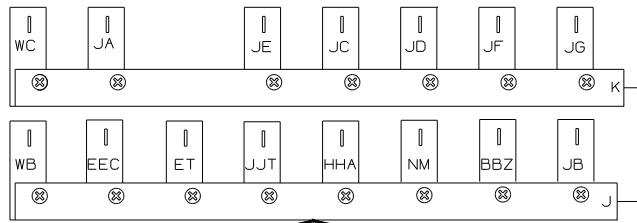
GALLEY OVHD LAMP
JE 14 YEL
NE 14 WHT

POWER CORD REEL
1-EEC 12 YEL
2-EED 12 WHT

CONNECTS TO WIRE ASM-CHASSIS (SHT 1, A-21) (LOCATED IN BED BASE)
1-EEC 12 YEL
2-EED 12 WHT

HOSE REEL
1-EEC 12 YEL
2-EED 12 WHT

WC 14 YEL
JA 14 YEL
JE 14 YEL
JC 14 YEL
JD 14 YEL
JG 14 YEL
WB 16 YEL
EEC 14 YEL
ET 16 YEL
JJT 14 YEL
HH 14 YEL
NM 14 YEL
BBZ 14 YEL
JB 14 YEL
JF 14 YEL

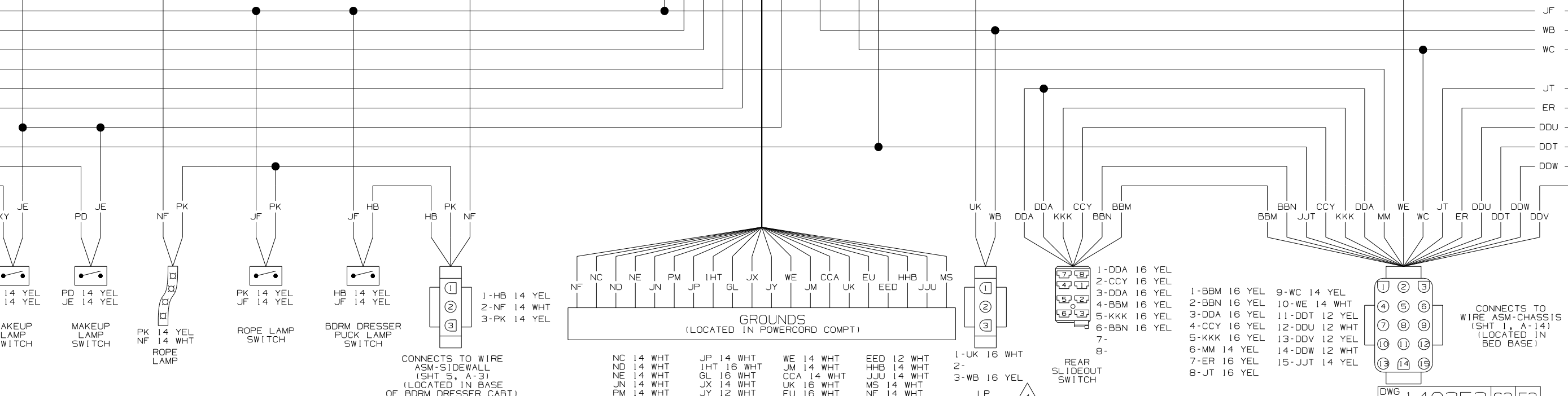
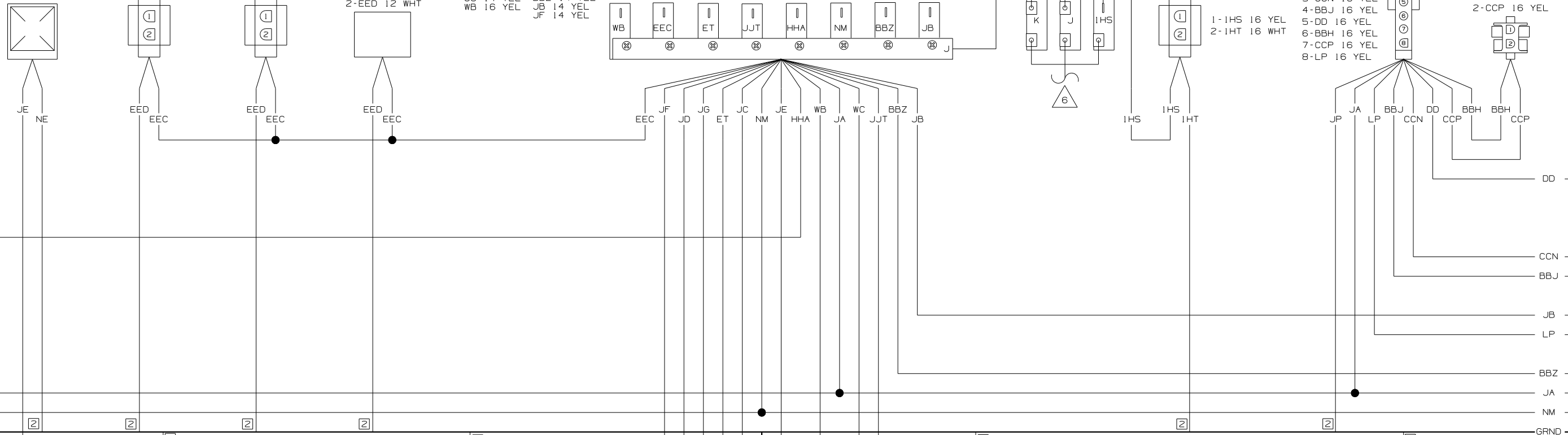


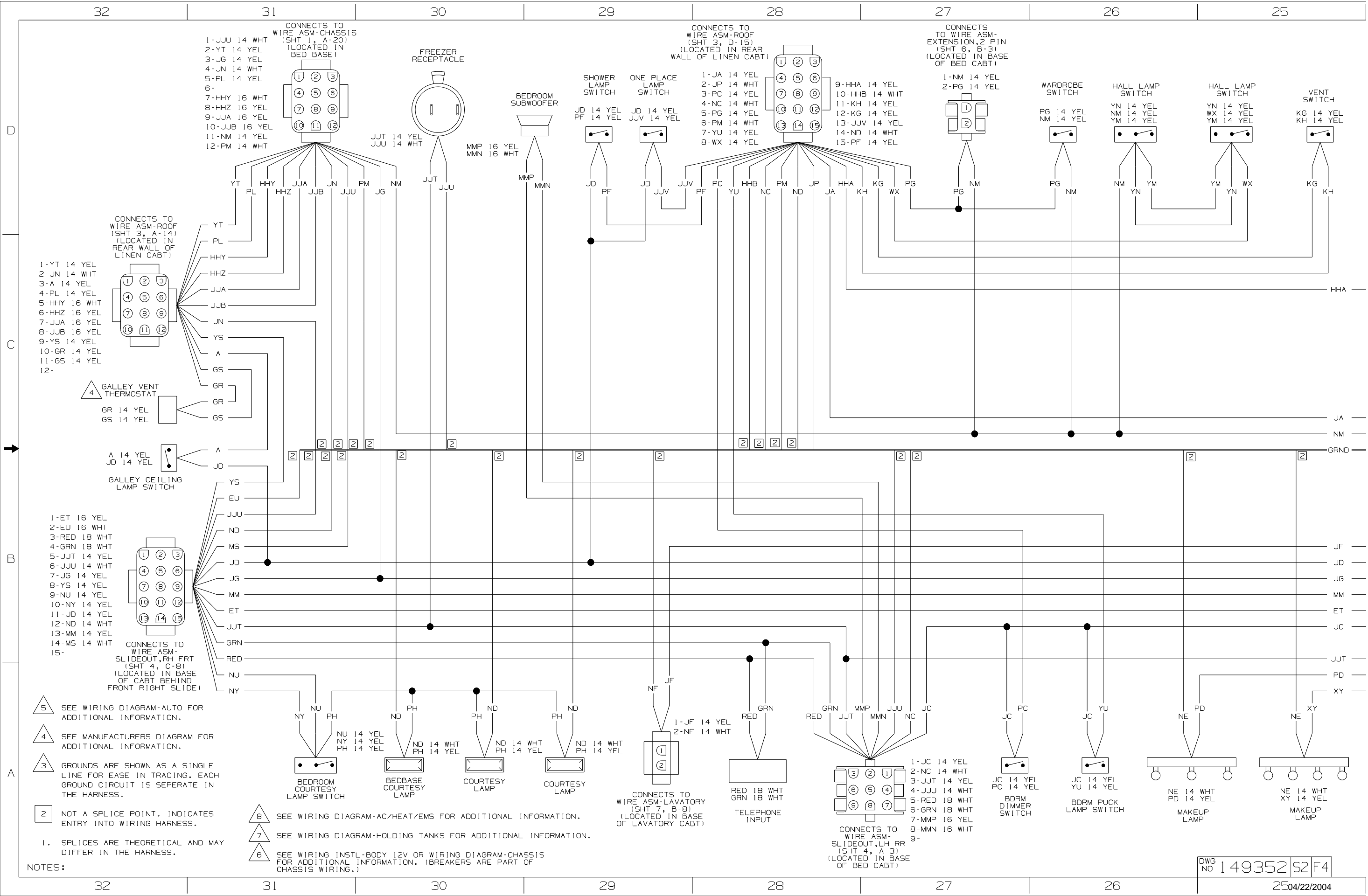
CHASSIS BREAKERS
K 6 BLK
J 6 BLK
IHS 16 YEL

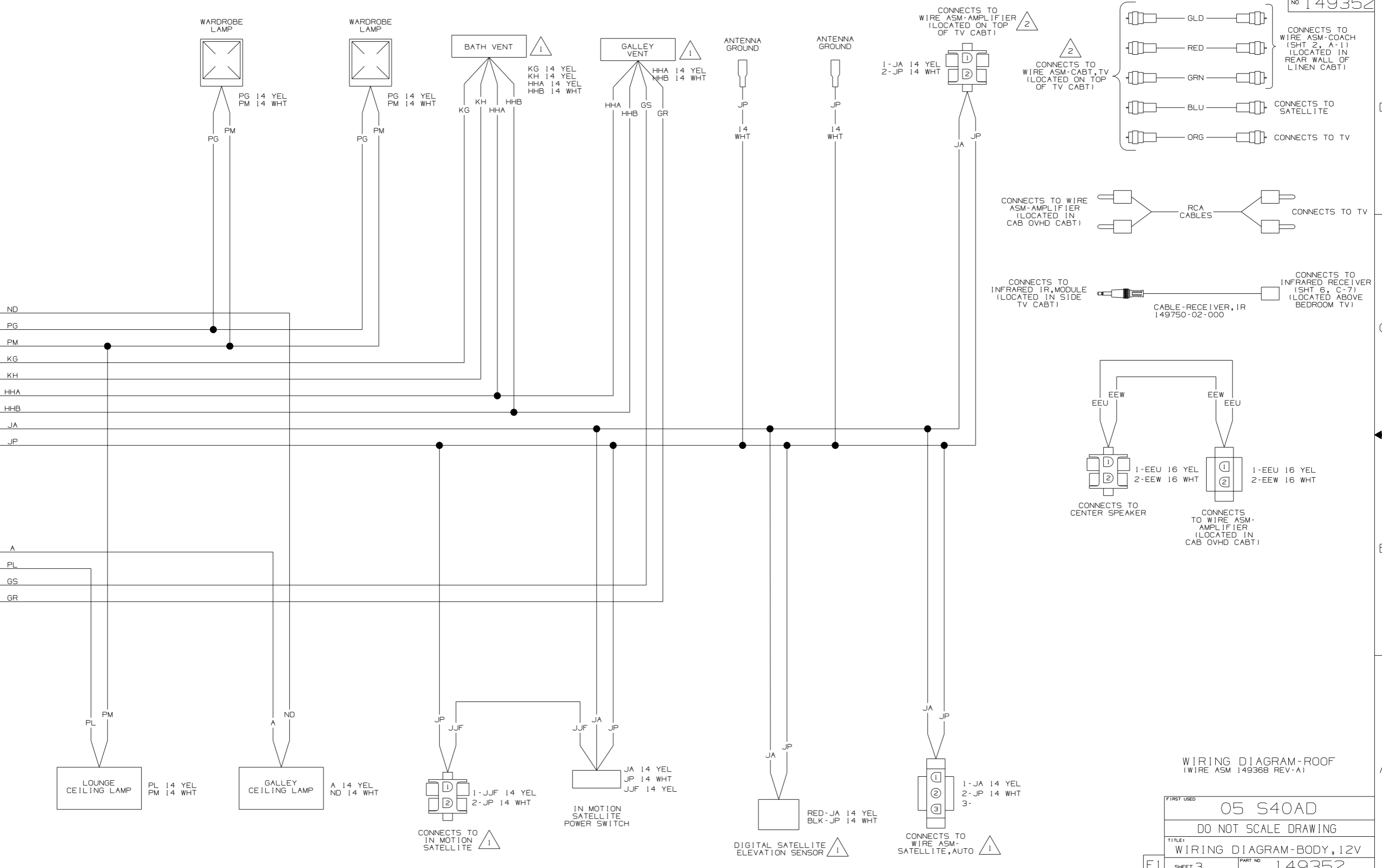
SOLAR CHARGER INDICATOR LAMP
1-IHS 16 YEL
2-IHT 16 WHT

LOAD SHEDDER CONTROL BOARD (LOCATED IN 110V PANEL)
1-JA 14 YEL
2-JP 14 WHT
3-CCN 16 YEL
4-BBJ 16 YEL
5-DD 16 YEL
6-BBH 16 YEL
7-CCP 16 YEL
8-LP 16 YEL

A/C CORD (LOCATED BEHIND THERMOSTAT)
1-BBH 16 YEL
2-CCP 16 YEL

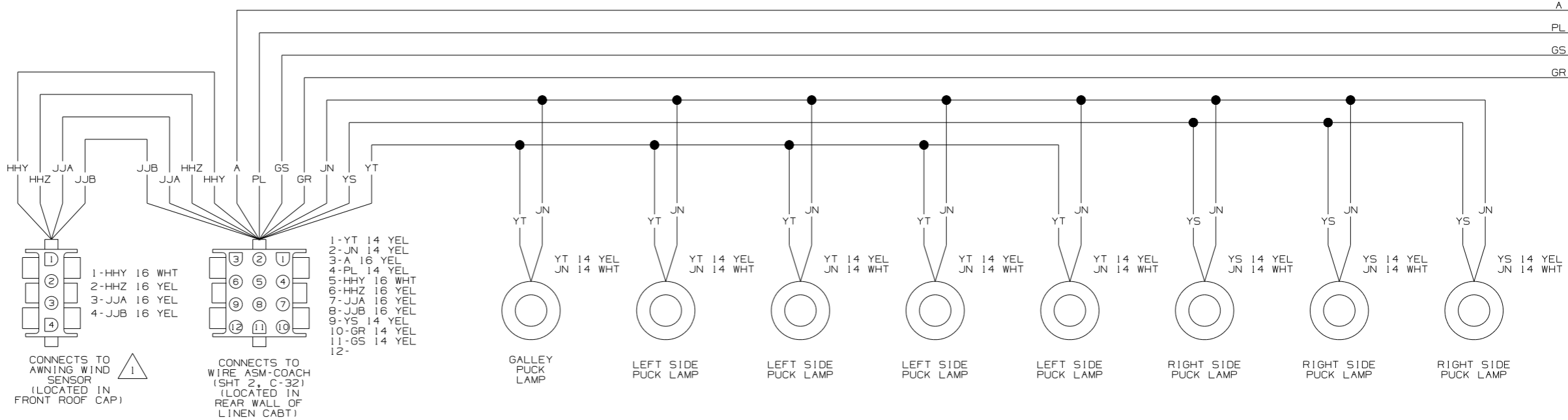
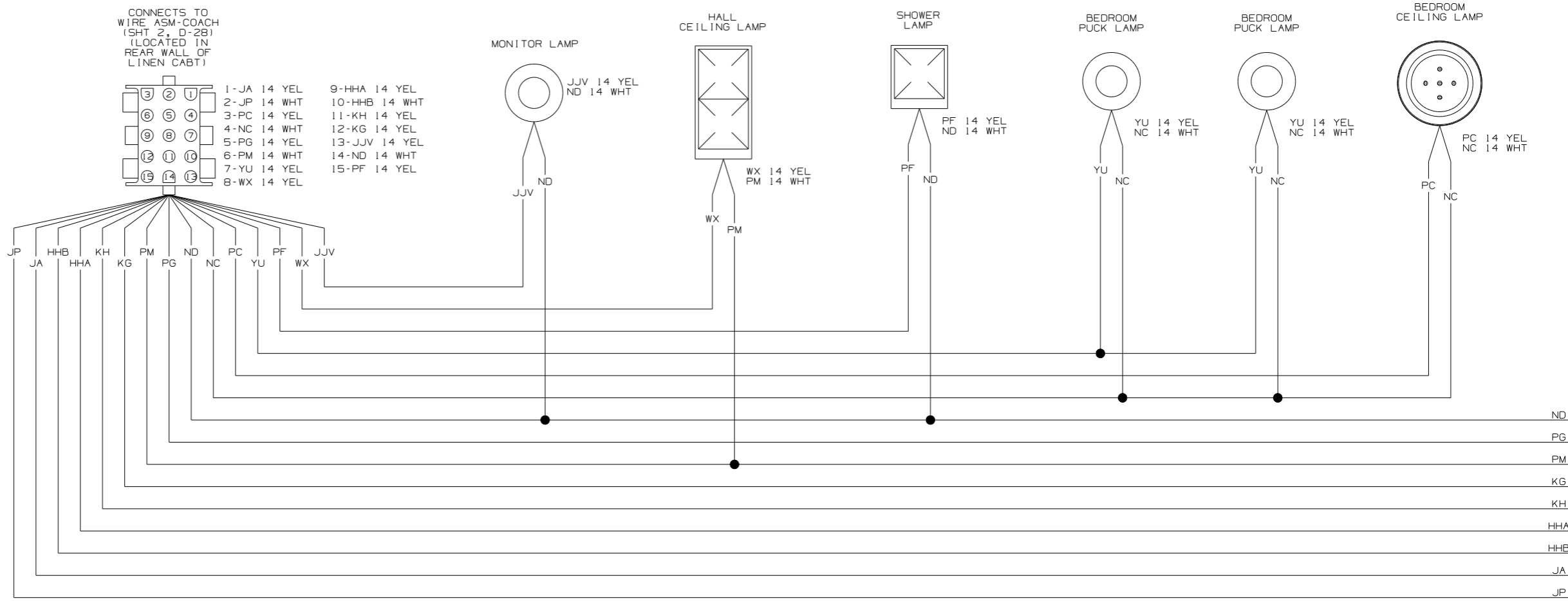






WIRING DIAGRAM-ROOF (WIRE ASM 149368 REV-A)

FIRST USED	05 S40AD	
TITLE	DO NOT SCALE DRAWING	
	WIRING DIAGRAM-BODY, 12V	
SHEET 3	PART NO	149352

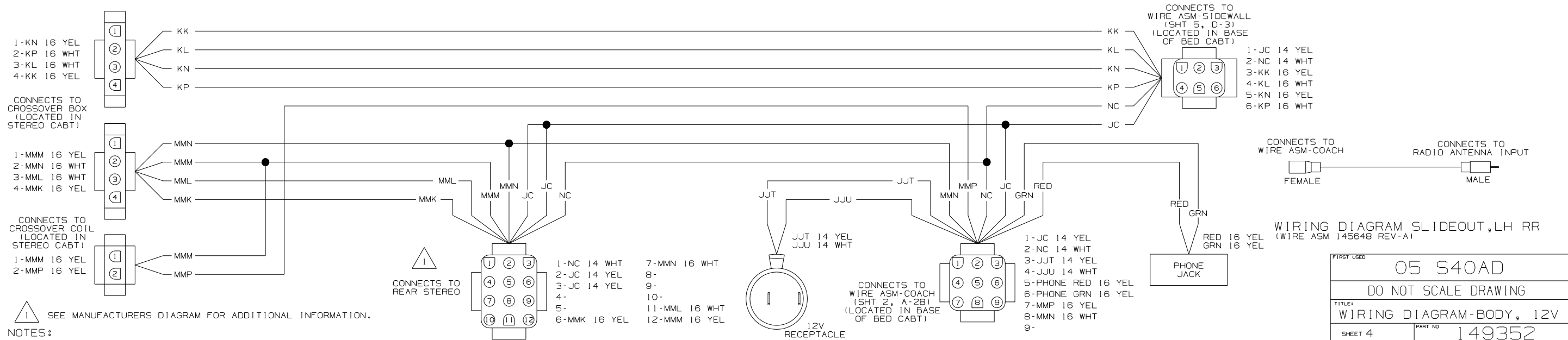
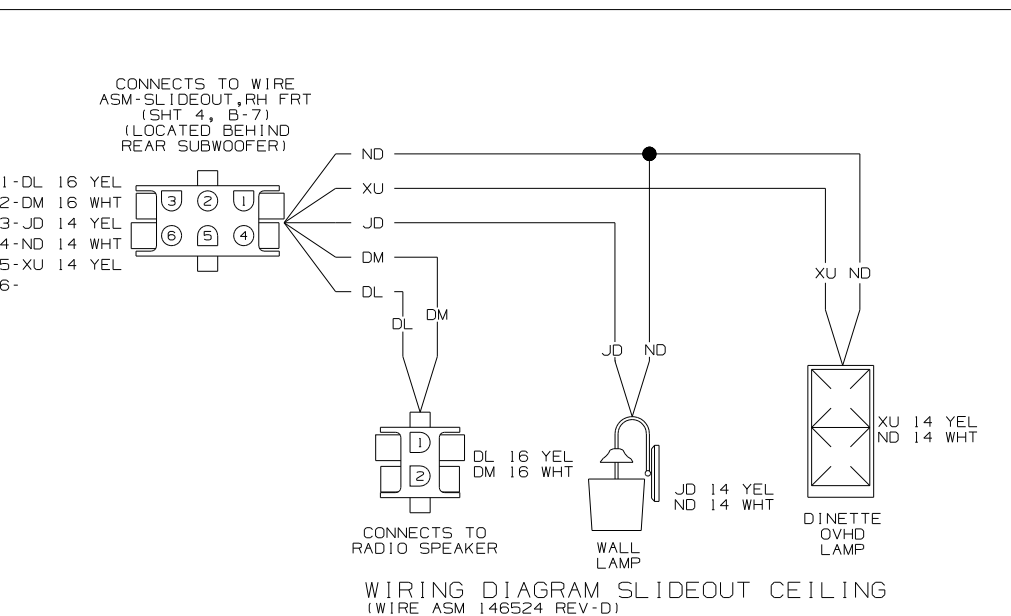
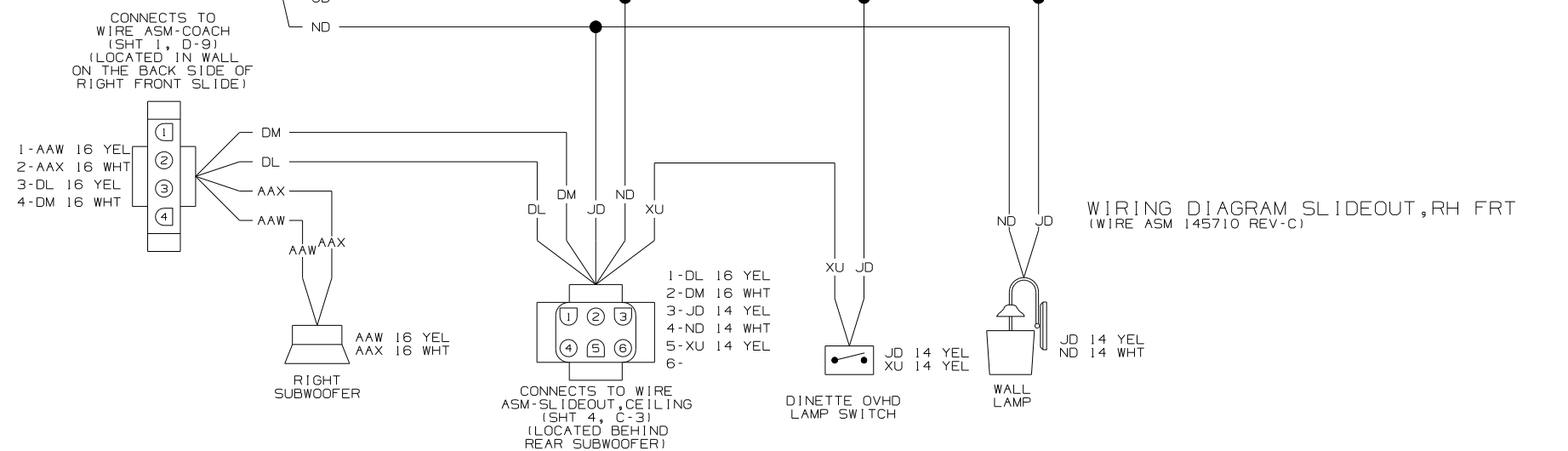
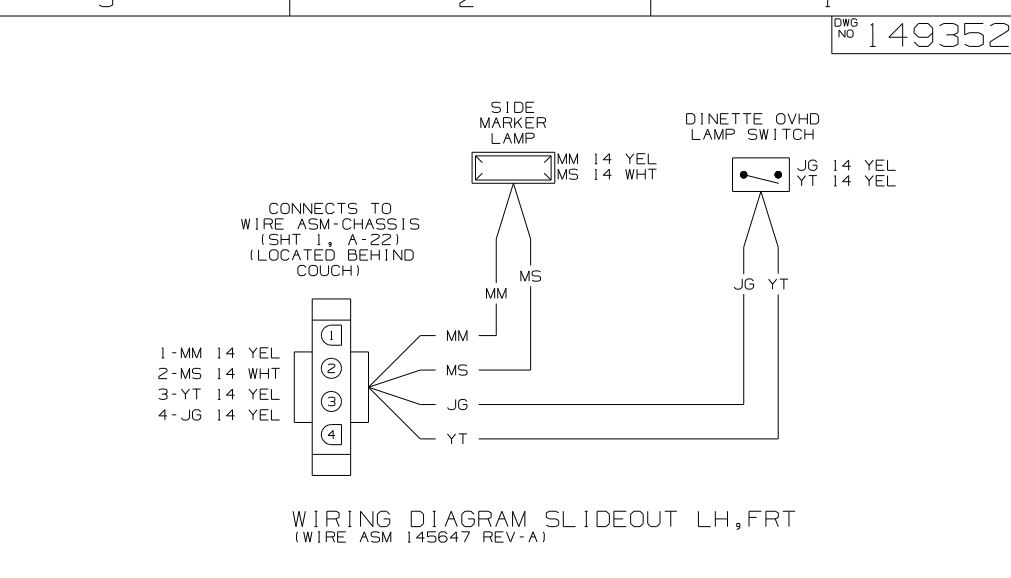
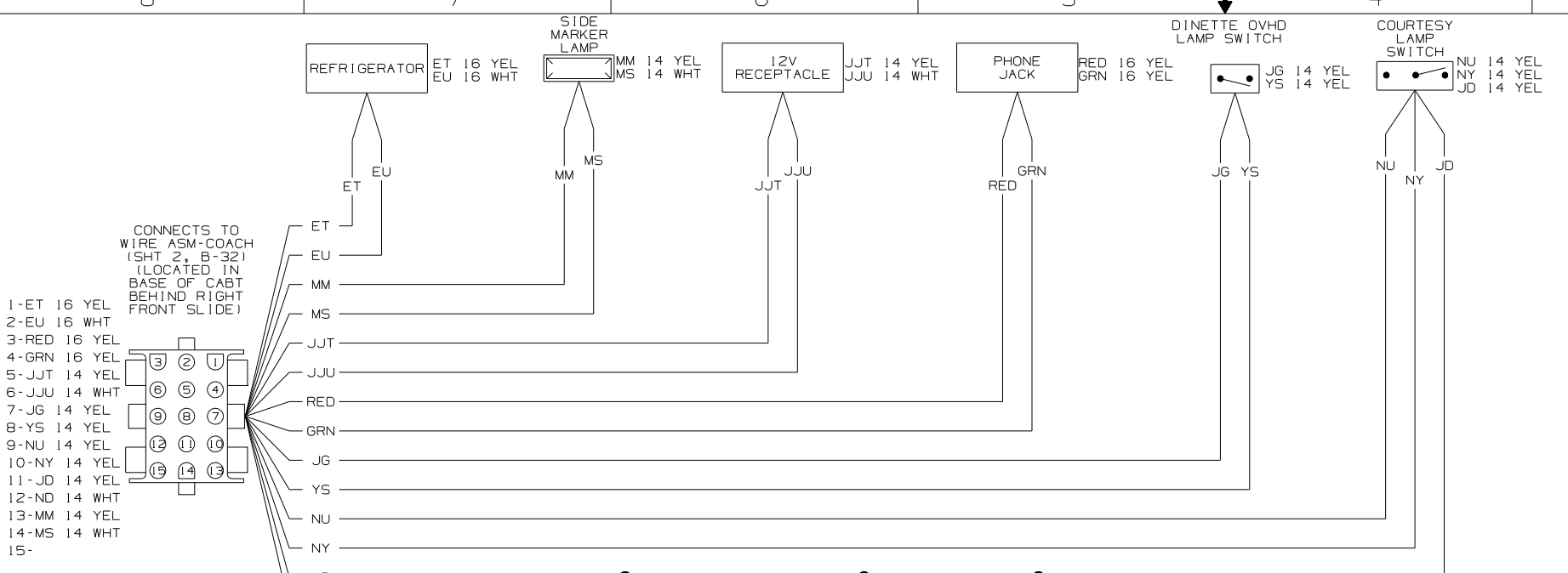


2 SEE WIRING DIAGRAM-TV/VCR SIDE.

1 SEE MANUFACTURER'S DIAGRAM FOR ADDITIONAL INFORMATION.

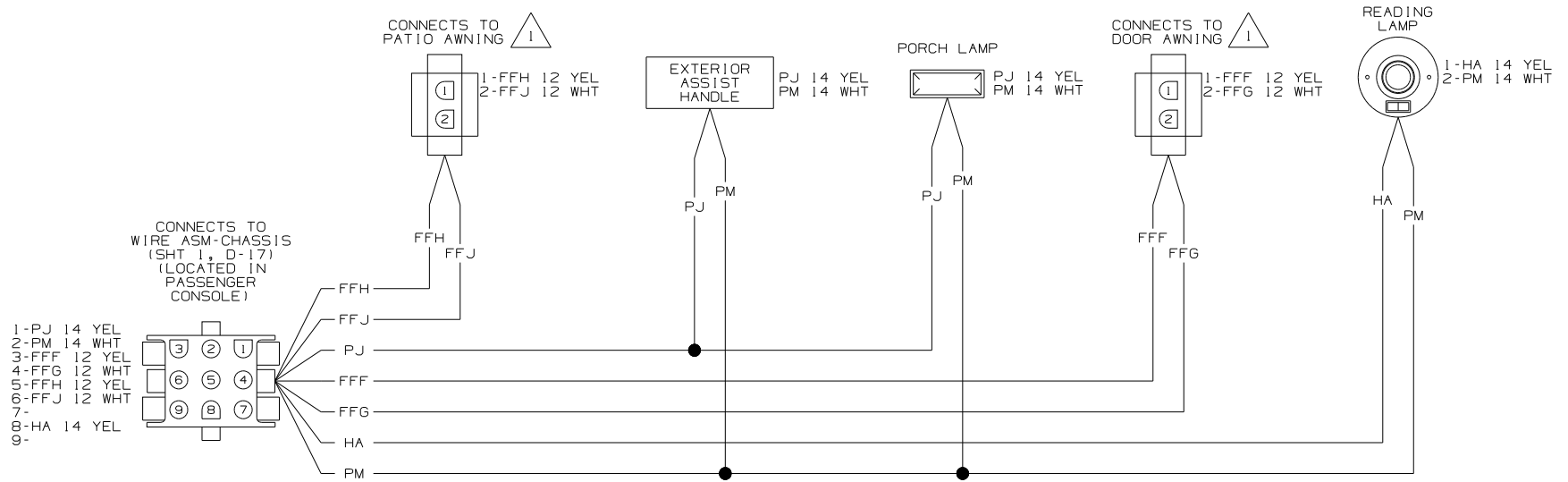
CONNECTS TO AWNING WIND SENSOR (LOCATED IN FRONT ROOF CAP)

NOTES:

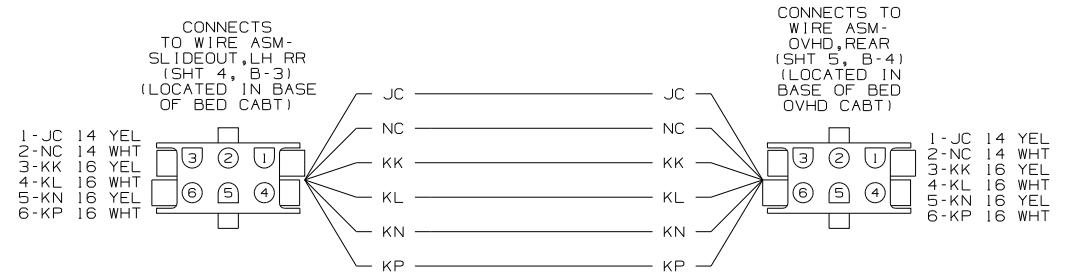


NOTES:
1 SEE MANUFACTURERS DIAGRAM FOR ADDITIONAL INFORMATION.

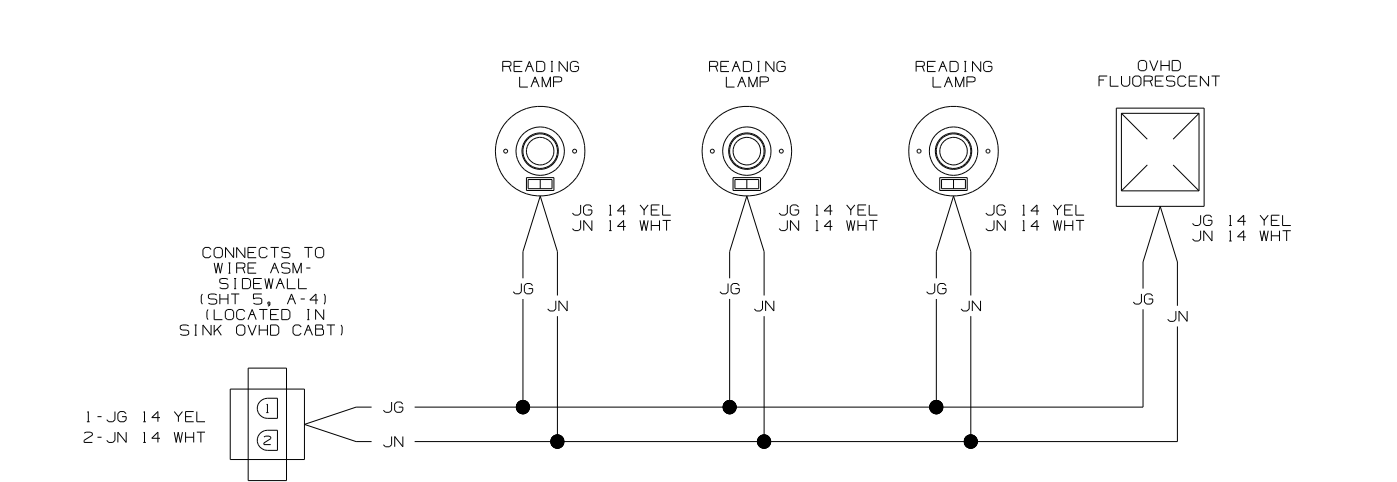
FIRST USED	05 S40AD
TITLE	DO NOT SCALE DRAWING
TITLE	WIRING DIAGRAM-BODY, 12V
SHEET 4	PART NO 149352



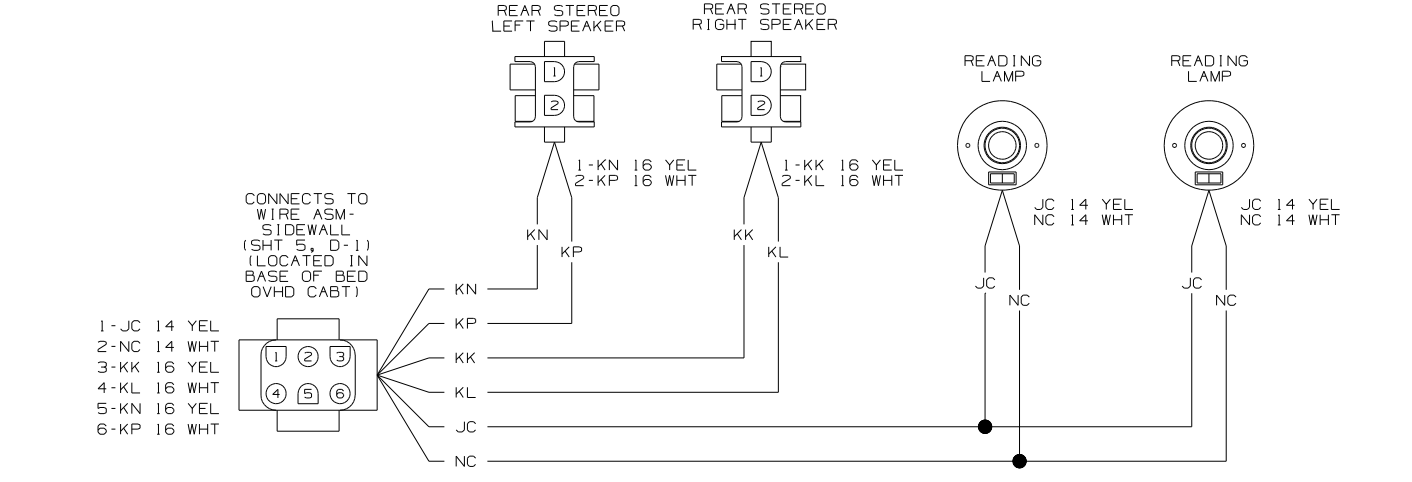
WIRING DIAGRAM SIDEWALL (WIRE ASM 145649 REV-C)



WIRING DIAGRAM SIDEWALL (WIRE ASM 145562 REV-A)



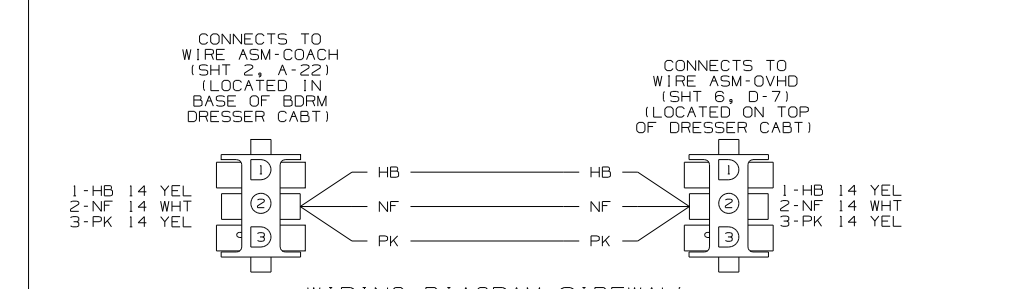
WIRING DIAGRAM-OVHD (WIRE ASM 145646 REV-A)



WIRING DIAGRAM-OVHD, REAR (WIRE ASM 145650 REV-B)



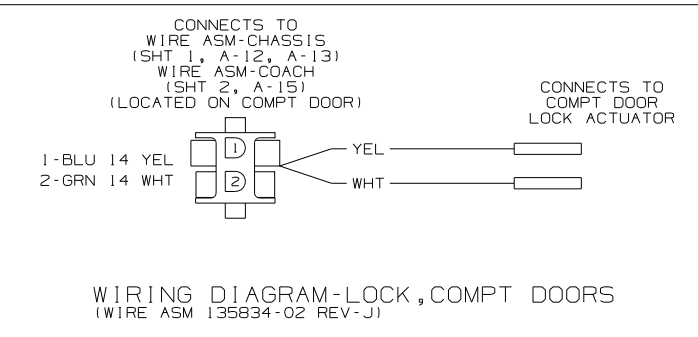
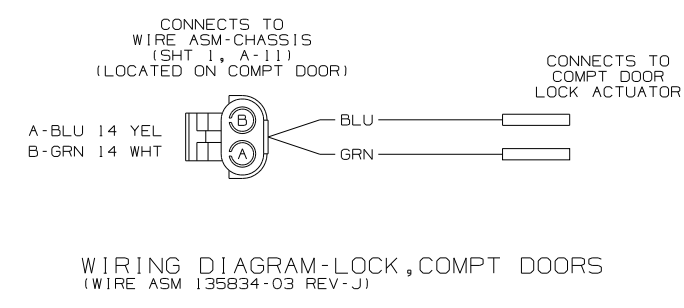
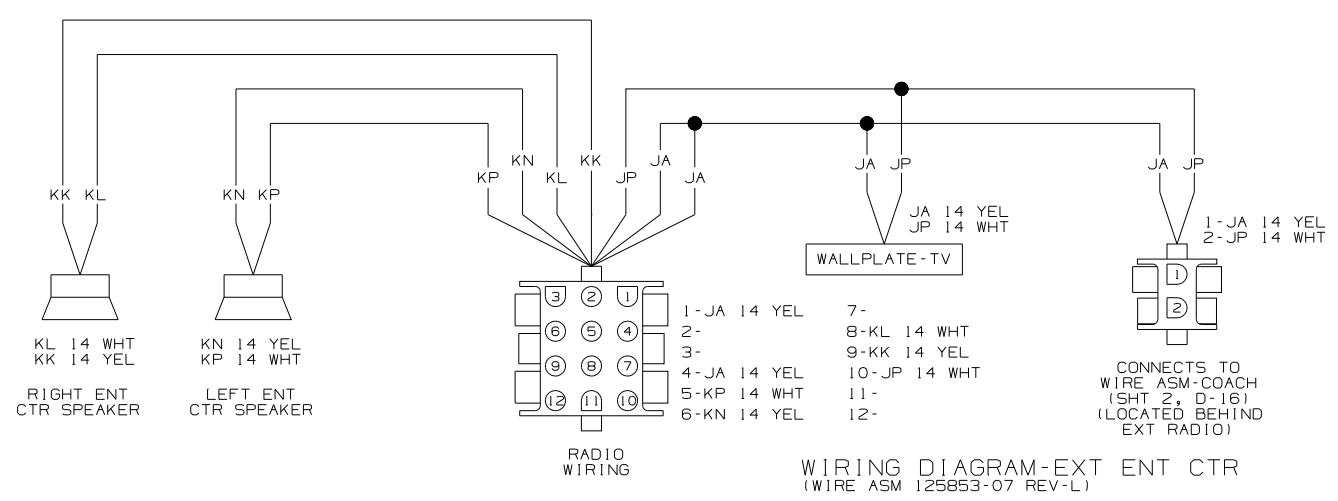
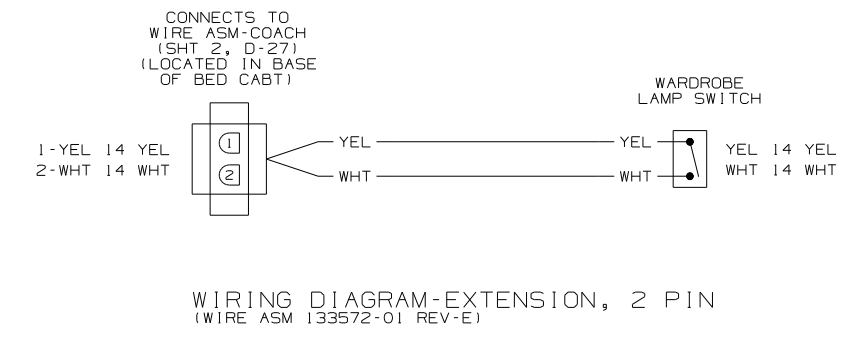
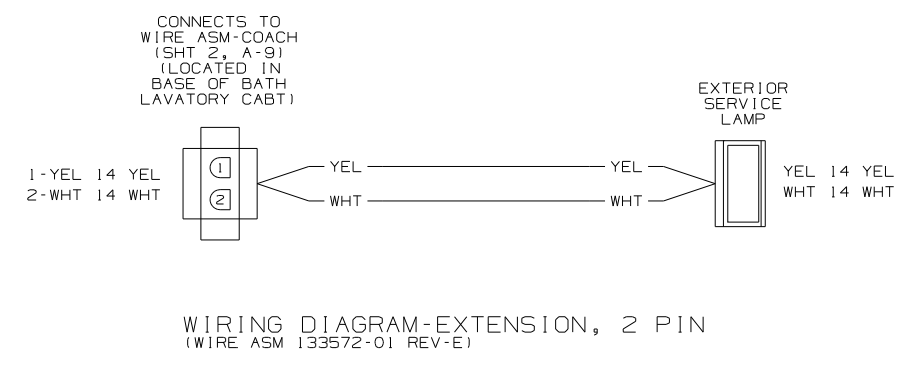
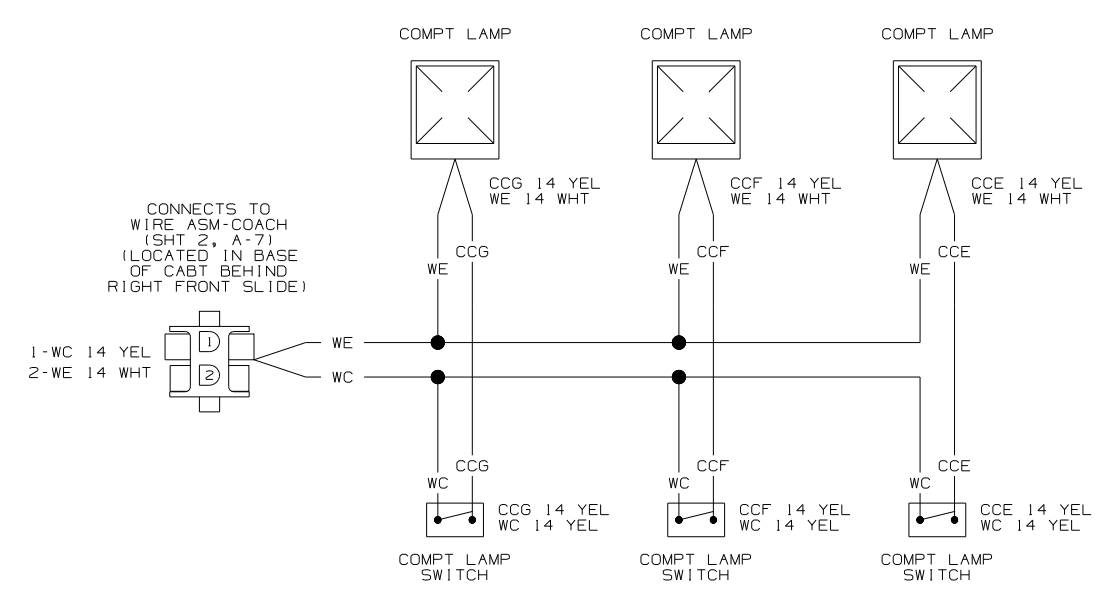
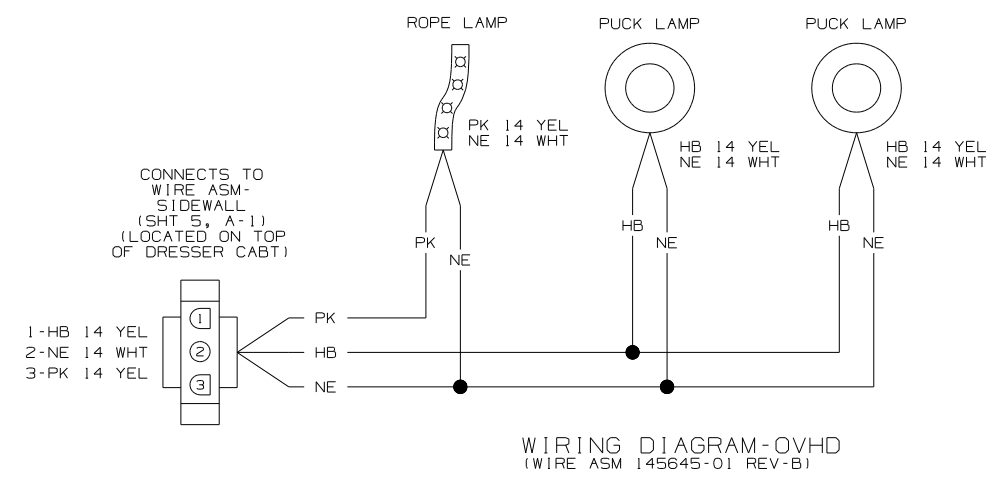
WIRING DIAGRAM SIDEWALL (WIRE ASM 145561 REV-A)



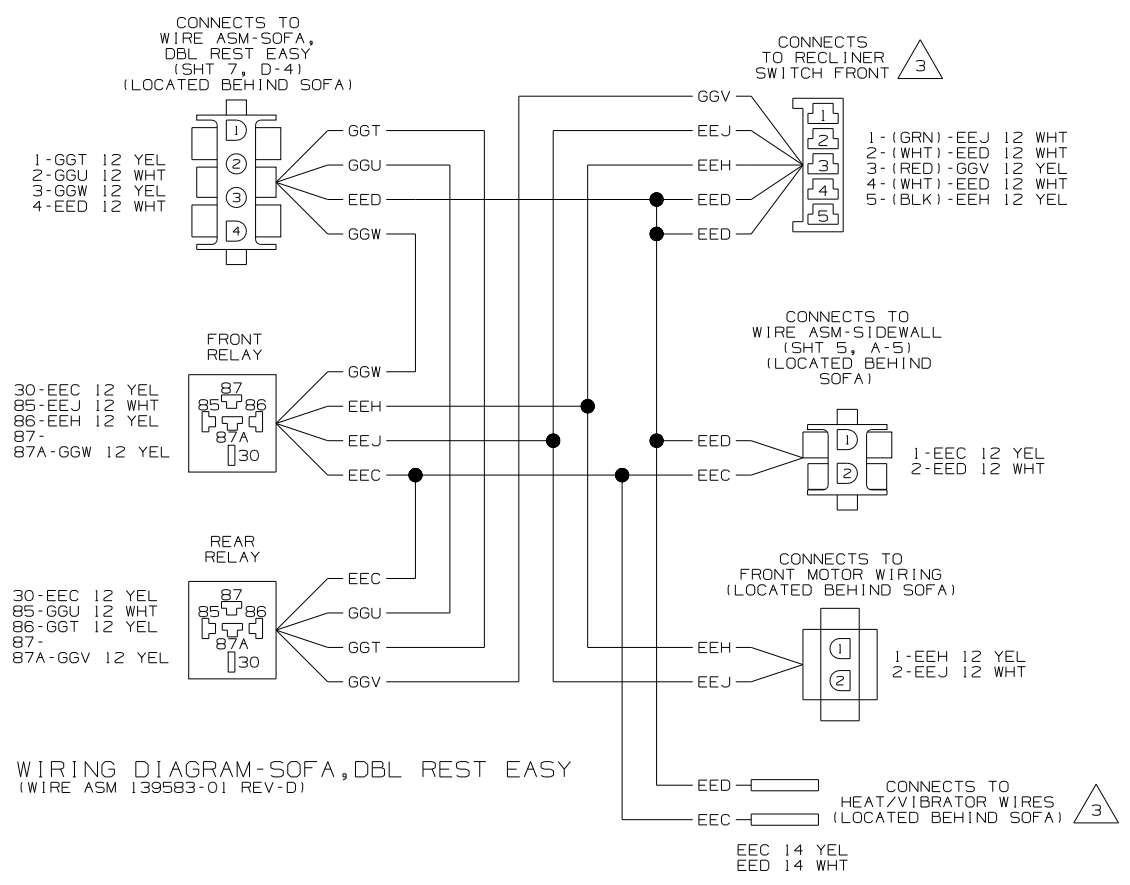
WIRING DIAGRAM SIDEWALL (WIRE ASM 145644-01 REV-C)

NOTES: 1 SEE MANUFACTURERS DIAGRAM FOR ADDITIONAL INFORMATION.

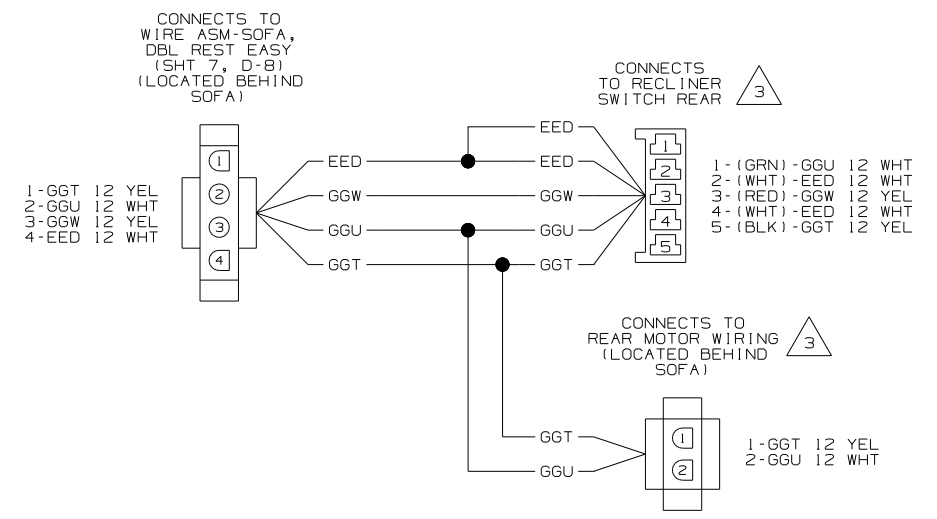
FIRST USED	05 S40AD
TITLE	DO NOT SCALE DRAWING
TITLE	WIRING DIAGRAM-BODY, 12V
SHEET 5	PART NO 149352



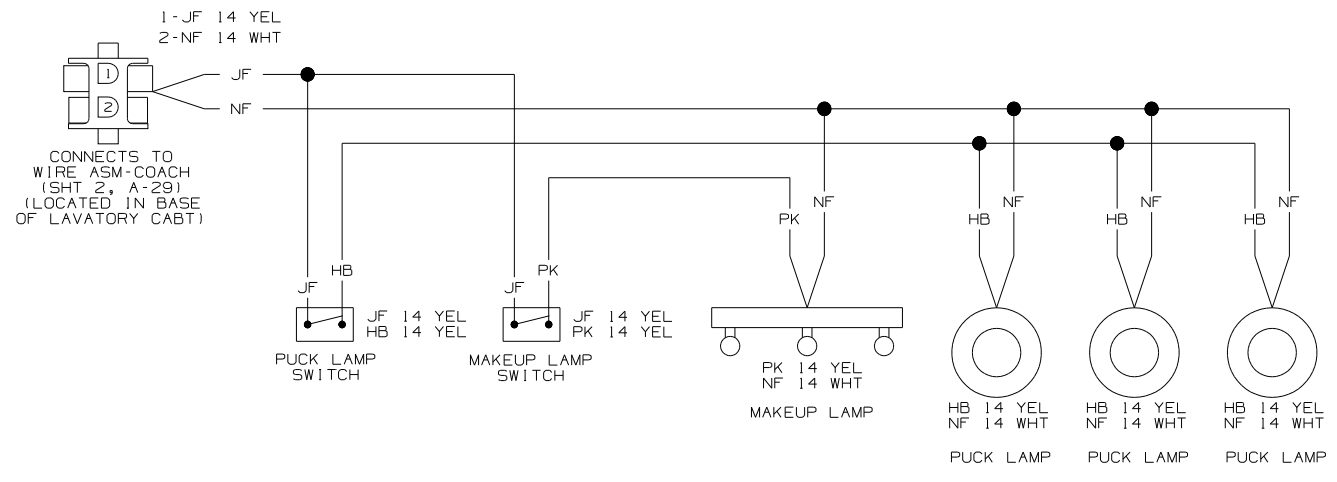
FIRST USED	05 S40AD
TITLE	DO NOT SCALE DRAWING
TITLE	WIRING DIAGRAM-BODY, 12V
SHEET 6	PART NO 149352



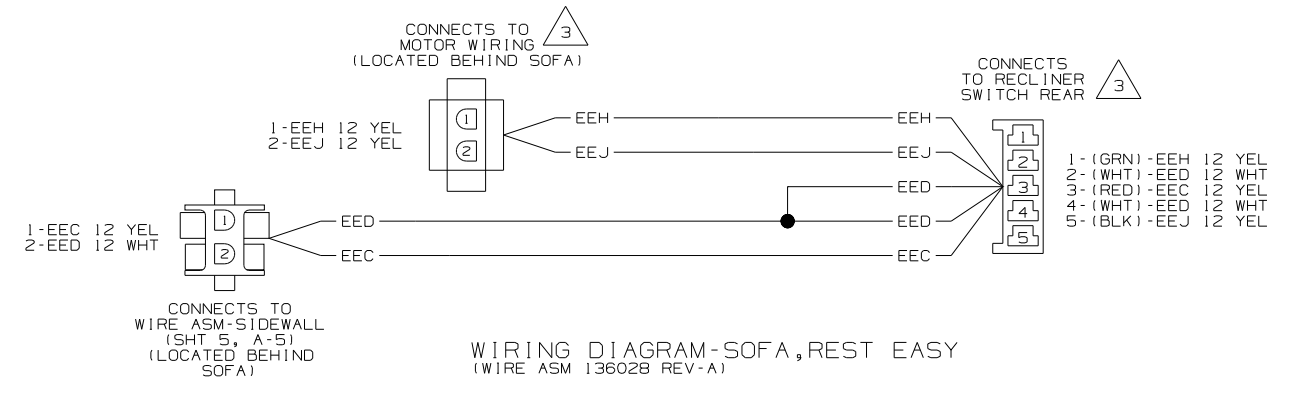
WIRING DIAGRAM-SOFA, DBL REST EASY (WIRE ASM 139583-01 REV-D)



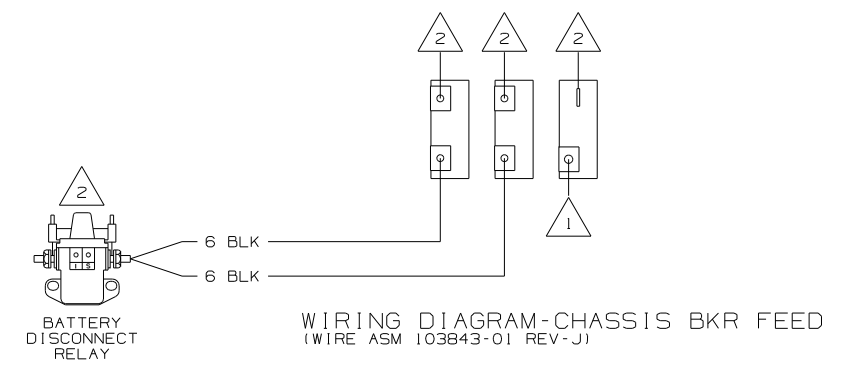
WIRING DIAGRAM-SOFA, DBL REST EASY (WIRE ASM 139583-02 REV-D)



WIRING DIAGRAM-BEDROOM, LAVATORY (WIRE ASM 147662 REV-A)



WIRING DIAGRAM-SOFA, REST EASY (WIRE ASM 136028 REV-A)



WIRING DIAGRAM-CHASSIS BKR FEED (WIRE ASM 103843-01 REV-J)

- NOTES:
- (3) SEE MANUFACTURERS DIAGRAM FOR ADDITIONAL INFORMATION.
 - (2) SEE SHT 2 FOR ADDITIONAL INFORMATION.
 - (1) SEE SHT 1 FOR ADDITIONAL INFORMATION.

FIRST USED	05 S40AD
DO NOT SCALE DRAWING	
TITLE:	WIRING DIAGRAM-BODY, 12V
SHEET 7	PART NO 149352