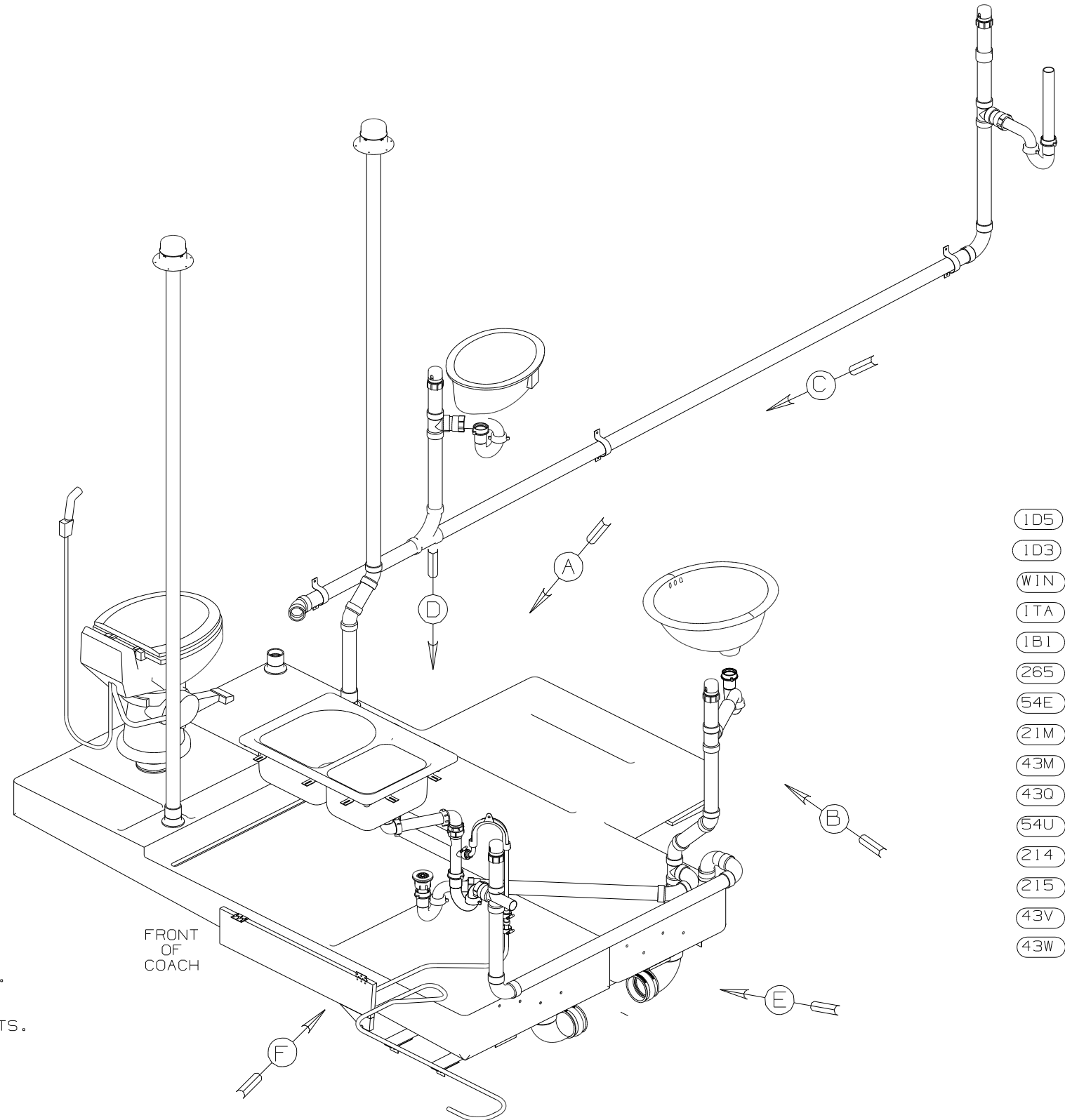


DWG NO	----
148990-01	(WIN)
148990-02	(ITA)

RELEASE	REV DATE	DWG NO
A		148990
REV ZONE	REVISION RECORD	DATE



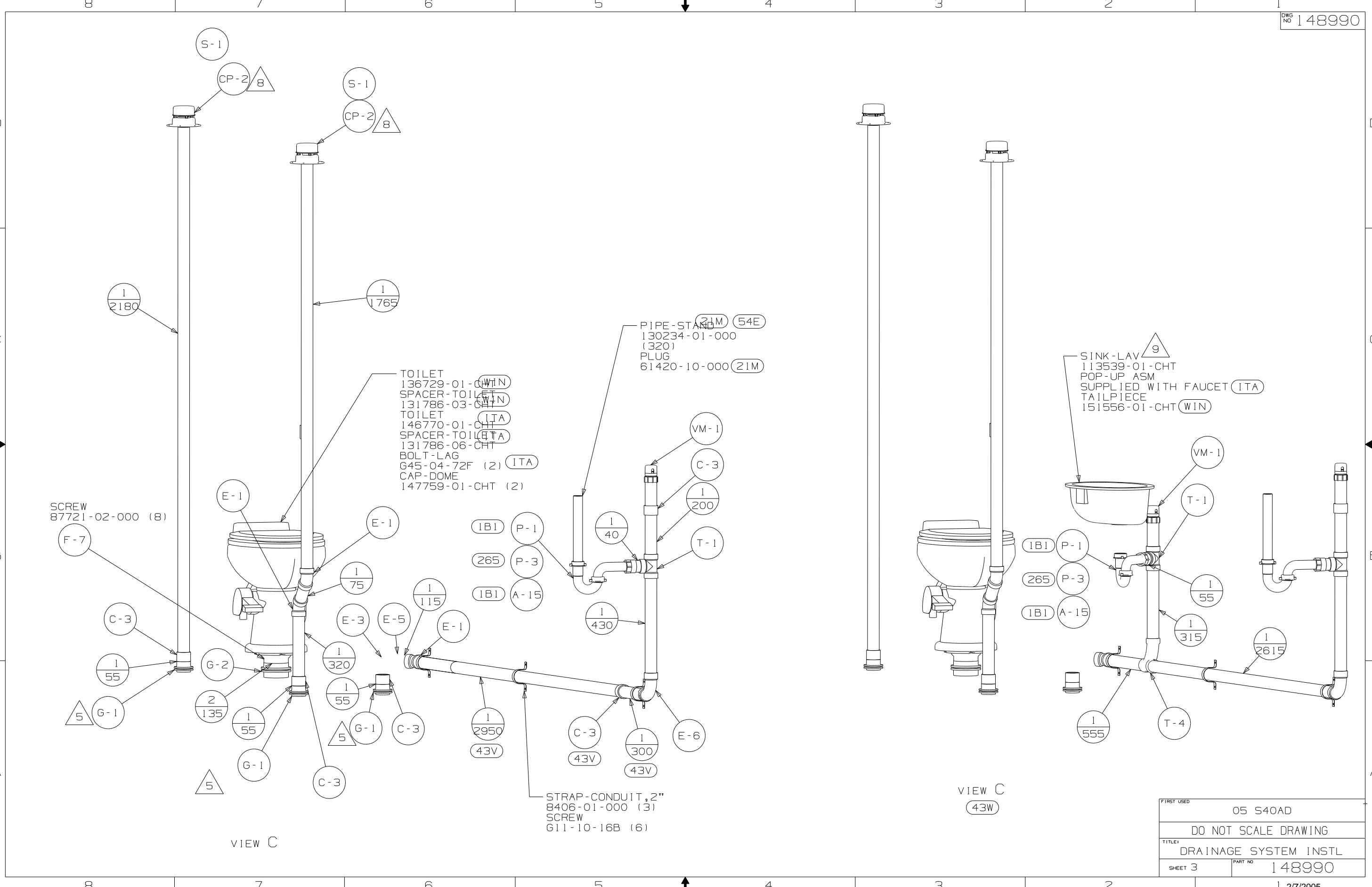
- (1D5) EXT ENTERTAINMENT CENTER W/COMPACT DISC
- (1D3) EXT ENTERTAINMENT CENTER W/TV
- (WIN) WINNEBAGO ONLY
- (ITA) ITASCA ONLY
- (1B1) CODES/STANDARDS-USA
- (265) CODES/STDS-CSA/CMVSS
- (54E) WASHER/DRYER
- (21M) WASHER/DRYER PREP
- (43M) TOILET PORCELAIN-ELONGATED
- (430) TOILET-PORCELAIN
- (54U) FLOOR/BATH-CERAMIC TILE
- (214) DISHWASHER DRAWER STYLE
- (215) DISHWASHER WITHOUT
- (43V) CABINET-CHEST OF DRAWERS
- (43W) CABINET-LAVATORY

- 9. SINK IS SUPPLIED WITH COUNTERTOP.
- 8. VENT PIPE MUST PROJECT 51 MIN AND 64 MAX. ABOVE ROOF FOR PROPER FIT AND FUNCTION.
- 7. SEE DWG 61607-01-000 FOR INSTL OF GROMMETS.
- 6. SEAL ALL AROUND SHOWER WITH SILICONE.
- 5. SECURE VENT TUBES TO FLOOR WITH BRACKET.
- 4. ALL EXTERIOR OPENINGS AROUND PIPE TO BE SEALED WITH 110744-01-000.
- 3. ALL PIPE AND FITTINGS TO BE ASSEMBLED WITH SOLVENT 4020-01-000.
- 2. SLOPE OF TRAP ARM MUST BE 6 PER 305.
- 1. SLOPE OF HORIZONTAL PIPING TO BE 6 PER 305 mm.

NOTES:

WINNEBAGO		COPYRIGHT 2005 WINNEBAGO INDUSTRIES, INC.	
DFT	ORIG. DATE	ALL DIMENSIONS ARE IN MILLIMETERS	
CHKR		FIRST USED	
P.E.		05 S40AD	
M.E.		UNSPECIFIED TOLERANCES ARE:	
DSNR		MATERIAL:	
		WHOLE DIM (X) :	3
		ONE-PLACE (X.X) :	
		TWO-PLACE (X.XX) :	
		ANGLE :	
		THIRD ANGLE PROJECTION	
DO NOT SCALE DRAWING			
TITLE: DRAINAGE SYSTEM INSTL			
SHEET 1 OF 4		PART NO 148990	

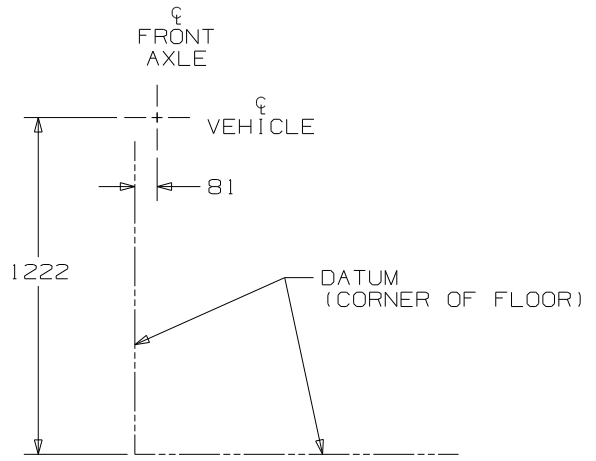
(X-X)
FOR
DRAINAGE
CALLOUTS
SEE DWG NO
116229-01-000



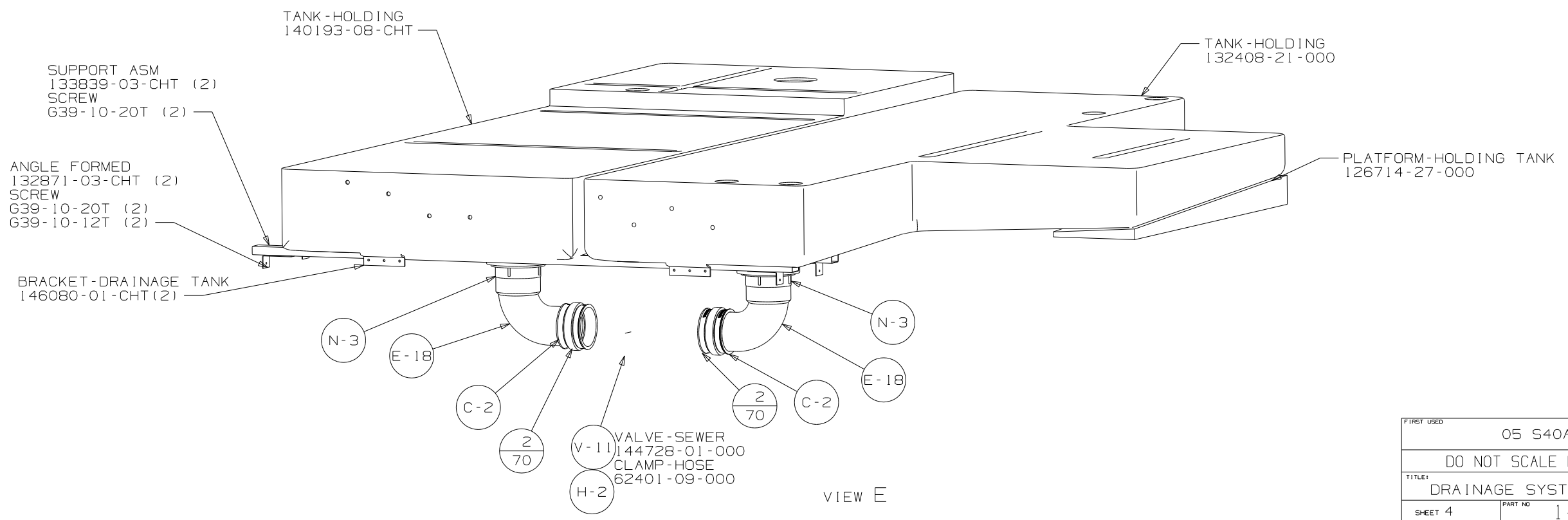
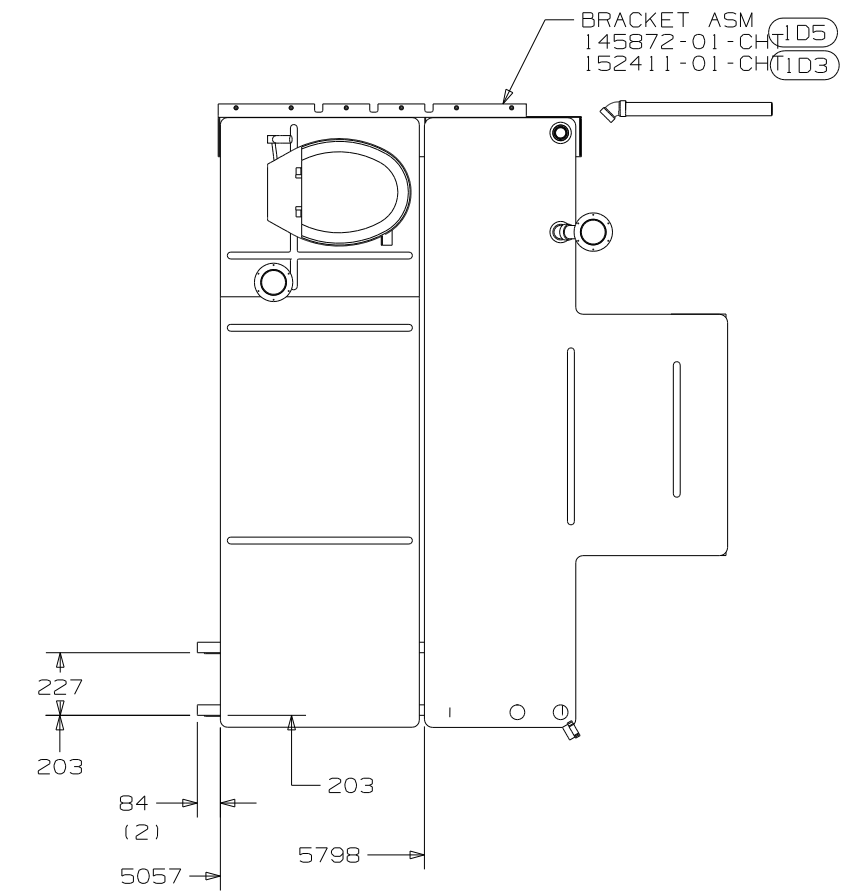
VIEW C

VIEW C
43W

FIRST USED	05 S40AD
DO NOT SCALE DRAWING	
TITLE	DRAINAGE SYSTEM INSTL
SHEET 3	PART NO 148990



VIEW D

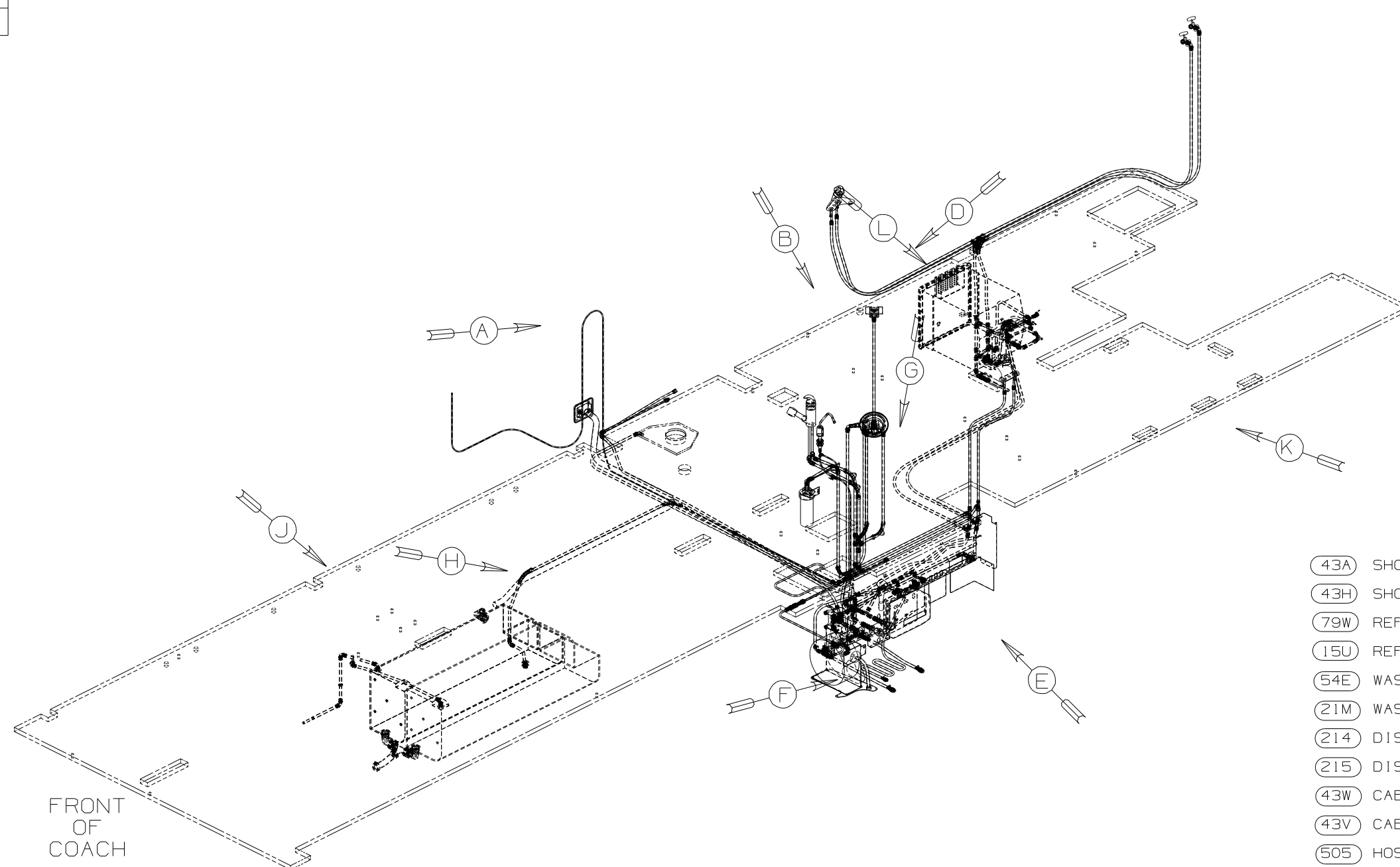


VIEW E

FIRST USED	05 S40AD
DO NOT SCALE DRAWING	
TITLE	DRAINAGE SYSTEM INSTL
SHEET 4	PART NO 148990

DWG NO	----
148994-01	(WIN)
148994-02	(ITA)

RELEASE	REV DATE	DWG NO
A		148994
REV ZONE	REVISION RECORD	DATE DFR-ORIG



- (43A) SHOWER HEAD-FIXED
- (43H) SHOWER HEAD-HAND HELD
- (79W) REFRIGERATOR-4 DOOR
- (15U) REFRIGERATOR/FRZR W-ICEMAKER
- (54E) WASHER/DRYER
- (21M) WASHER/DRYER PREP
- (214) DISHWASHER-DRAWER STYLE
- (215) DISHWASHER WITHOUT
- (43W) CABINET-LAVATORY
- (43V) CABINET-CHEST OF DRAWERS
- (505) HOSE REEL-WATER,POWERED

- 7 ADD TEFLON TAPE 10405-02-000.
- 6 ADD TEFLON TAPE 10405-01-000.
- 5 ADD TEFLON TAPE 10405-03-000.
- 4 FLUSHING SYSTEM REQUIRES 125697-06-000 INSTRUCTION SHEET.

- 3. ALL TUBING TO BE SECURED AT 1200 INTERVALS MAXIMUM WITH CLAMP 10495-01-000 OR CLIP 91951-01-000 AND SCREW G67-10-12B.
- 2. TUBING TO BE INSTALLED WITH SUFFICIENT SLOPE TO PROVIDE DRAINAGE TO NEAREST VALVE.
- 1. PLASTIC FITTINGS TO BE SEALED WITH SEALANT 84456-01-000.

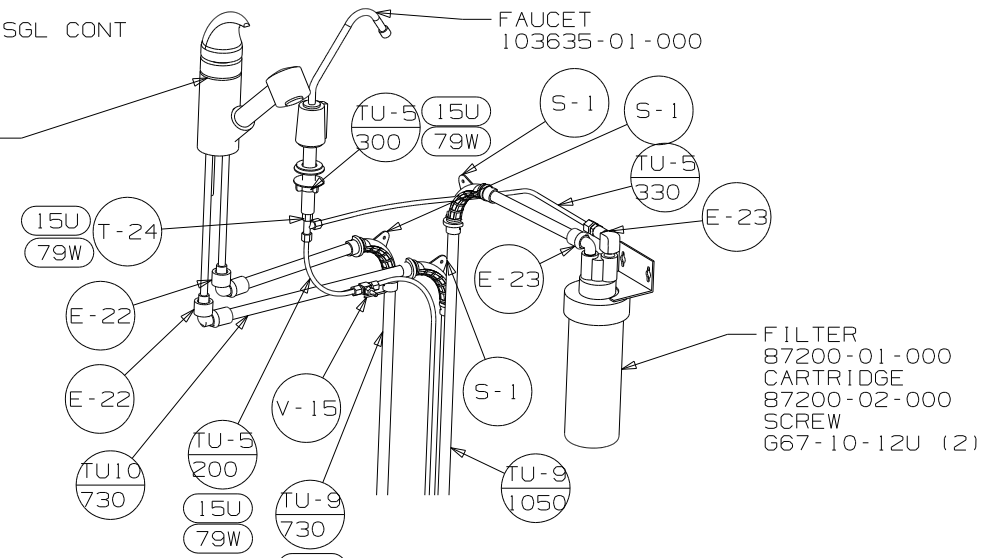
NOTES:

WINNEBAGO		COPYRIGHT 2005 WINNEBAGO INDUSTRIES, INC.	
DFTR	ORIG. DATE	ALL DIMENSIONS ARE IN MILLIMETERS	
CHKR		FIRST USED	
P.E.		05 S40AD	
M.E.		UNSPECIFIED TOLERANCES ARE:	
DSNR		MATERIAL:	
		WHOLE DIM (X)	: 7
		ONE-PLACE (X.X)	:
		TWO-PLACE (X.XX)	:
		ANGLE	:
THIRD ANGLE PROJECTION		DO NOT SCALE DRAWING	
TITLE: WATER SYSTEM INSTL			
SHEET 1 OF 4		PART NO 148994	

(X-X)
FOR
WATER
CALLOUTS
SEE DWG NO
116230-01-000

- WIN FAUCET-GALLEY, SGL CONT 123744-03-CHT
- ITA 144444-01-CHT
- BACKING
- WIN 139295-01-CHT
- ITA 137079-03-CHT

FAUCET 103635-01-000



FILTER 87200-01-000
 CARTRIDGE 87200-02-000
 SCREW 667-10-12U (2)

- WIN FAUCET-LAV, SGL CTRL, POL BRAS 128997-01-CHT
- ITA FAUCET-VALVE 149174-01-CHT
- ITA FAUCET-TRIM KIT 149174-02-CHT
- SPACER 105218-01-CHT

VIEW C

- WIN FAUCET-LAV, SGL CTRL, POL BRAS 128997-01-CHT
- ITA FAUCET-VALVE 149174-01-CHT
- ITA FAUCET-TRIM KIT 149174-02-CHT
- SPACER 105218-01-CHT

- WIN 43W
- ITA 43W
- ITA 43W

- 79W 15U 1-2 2
- 79W 15U 1-1 2

TO REFRIGERATOR

TO TOILET

43A VALVE-SHOWER 128974-01-CHT

BRACKET 143101-01-CHT

- E-29 5
- E-21 2
- E-10
- E-22
- A-12

BREAKER-VACUUM 125697-04-000
 CHECK VALVE 125697-03-000

43A FAUCET-TRIM KIT 144596-01-CHT
 144596-03-CHT

PLUG-BRASS 145609-01-000

TU10 840

TU10 130

TU10 214

TU10 30

TU10 214

TU10 214

TU10 214

TU10 214

TU10 214

TU10 214

TU10 214

TU10 214

TU10 214

TU10 214

TU10 214

TU10 214

TU10 214

TU10 214

TU10 214

TU10 214

TU10 214

TU10 214

TU10 214

TU10 214

TU10 214

TU10 214

TU10 214

TU10 214

TU10 214

TU10 214

TU10 214

TU10 214

TU10 214

TU10 214

TU10 214

TU10 214

TU10 214

TU10 214

TU10 214

TU10 214

TU10 214

TU10 214

TU10 214

TU10 214

TU10 214

TU10 214

TU10 214

TU10 214

TU10 214

TU10 214

TU10 214

TU10 214

TU10 214

TU10 214

TU10 214

TU10 214

TU10 214

TU10 214

TU10 214

TU10 214

TU10 214

TU10 214

TU10 214

TU10 214

TU10 214

TU10 214

TU10 214

TU10 214

TU10 214

TU10 214

TU10 214

TU10 214

TU10 214

TU10 214

TU10 214

TU10 214

TU10 214

TU10 214

TU10 214

TU10 214

TU10 214

TU10 214

TU10 214

TU10 214

TU10 214

TU10 214

TU10 214

TU10 214

TU10 214

TU10 214

TU10 214

TU10 214

TU10 214

TU10 214

TU10 214

TU10 214

TU10 214

TU10 214

TU10 214

TU10 214

TU10 214

TU10 214

TU10 214

TU10 214

TU10 214

TU10 214

TU10 214

TU10 214

TU10 214

TU10 214

TU10 214

TU10 214

TU10 214

TU10 214

TU10 214

TU10 214

TU10 214

TU10 214

TU10 214

TU10 214

TU10 214

TU10 214

TU10 214

TU10 214

TU10 214

TU10 214

TU10 214

TU10 214

TU10 214

TU10 214

TU10 214

TU10 214

TU10 214

TU10 214

TU10 214

TU10 214

TU10 214

TU10 214

TU10 214

TU10 214

TU10 214

TU10 214

TU10 214

TU10 214

TU10 214

TU10 214

TU10 214

TU10 214

TU10 214

TU10 214

TU10 214

TU10 214

TU10 214

TU10 214

TU10 214

TU10 214

TU10 214

TU10 214

TU10 214

TU10 214

TU10 214

TU10 214

TU10 214

TU10 214

TU10 214

TU10 214

TU10 214

TU10 214

TU10 214

TU10 214

TU10 214

TU10 214

TU10 214

TU10 214

TU10 214

TU10 214

TU10 214

TU10 214

TU10 214

TU10 214

TU10 214

TU10 214

TU10 214

TU10 214

TU10 214

TU10 214

TU10 214

TU10 214

TU10 214

TU10 214

TU10 214

TU10 214

TU10 214

TU10 214

TU10 214

TU10 214

TU10 214

TU10 214

TU10 214

TU10 214

TU10 214

TU10 214

TU10 214

TU10 214

TU10 214

TU10 214

TU10 214

TU10 214

TU10 214

TU10 214

TU10 214

TU10 214

TU10 214

TU10 214

TU10 214

TU10 214

TU10 214

TU10 214

TU10 214

TU10 214

TU10 214

TU10 214

TU10 214

TU10 214

TU10 214

TU10 214

TU10 214

TU10 214

TU10 214

TU10 214

TU10 214

TU10 214

TU10 214

TU10 214

TU10 214

TU10 214

TU10 214

TU10 214

TU10 214

TU10 214

TU10 214

TU10 214

TU10 214

TU10 214

TU10 214

TU10 214

TU10 214

TU10 214

TU10 214

TU10 214

TU10 214

TU10 214

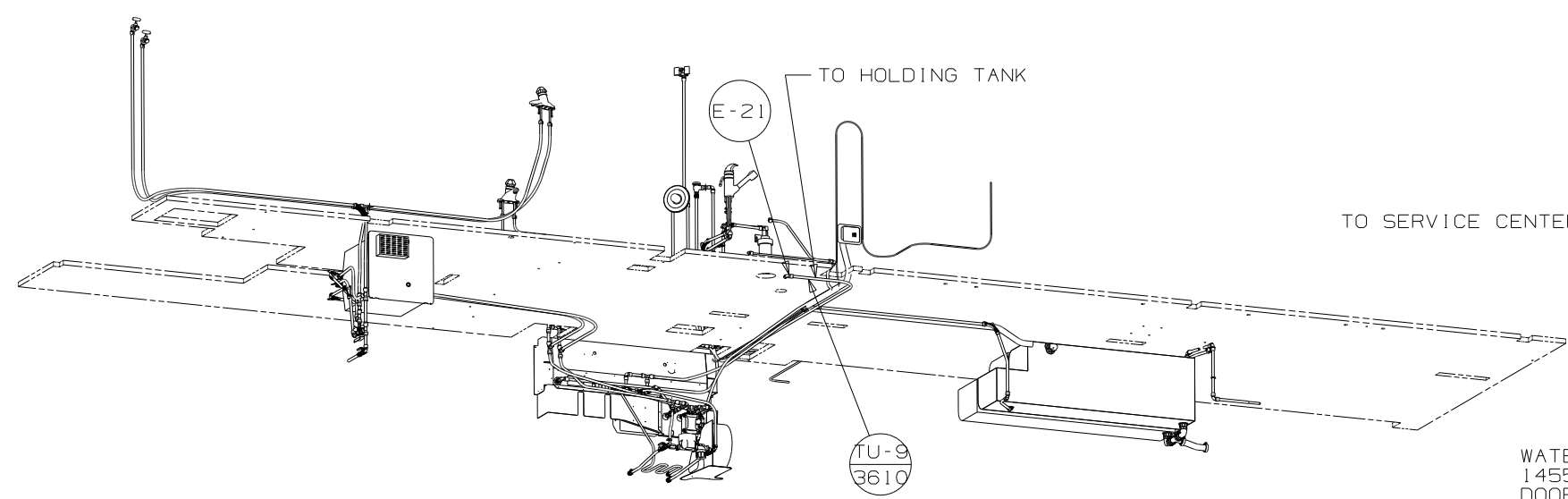
TU10 214

TU10 214

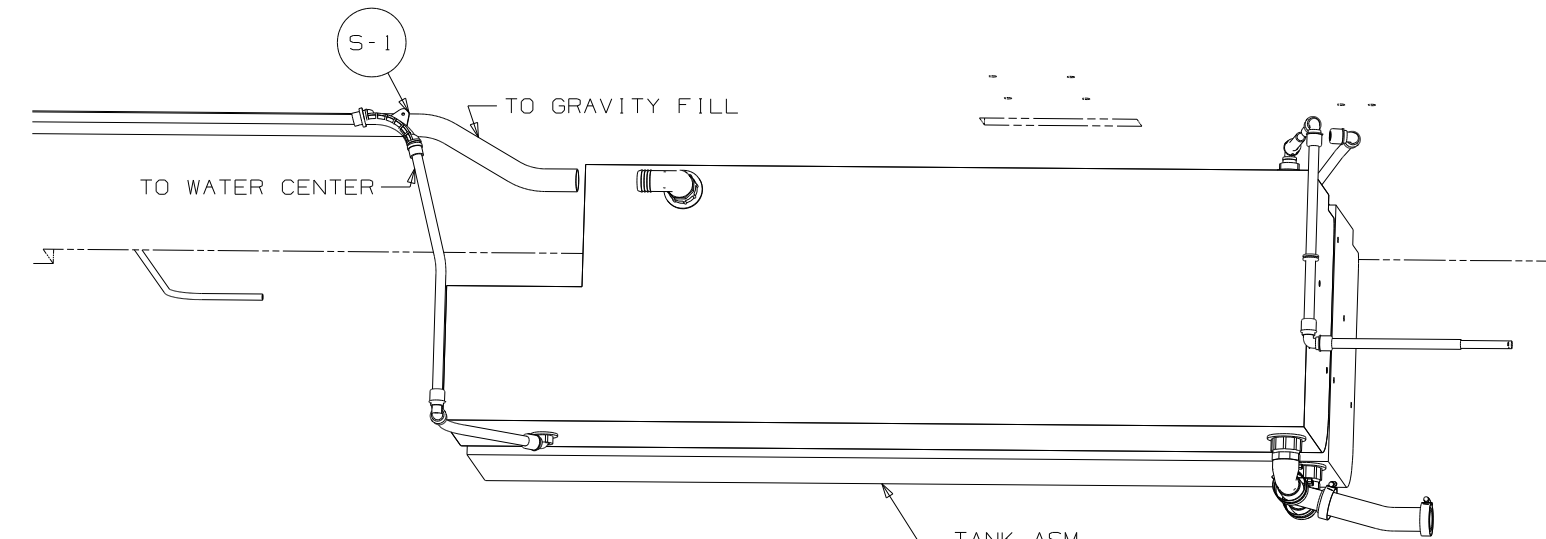
TU10 214

TU10 214

T



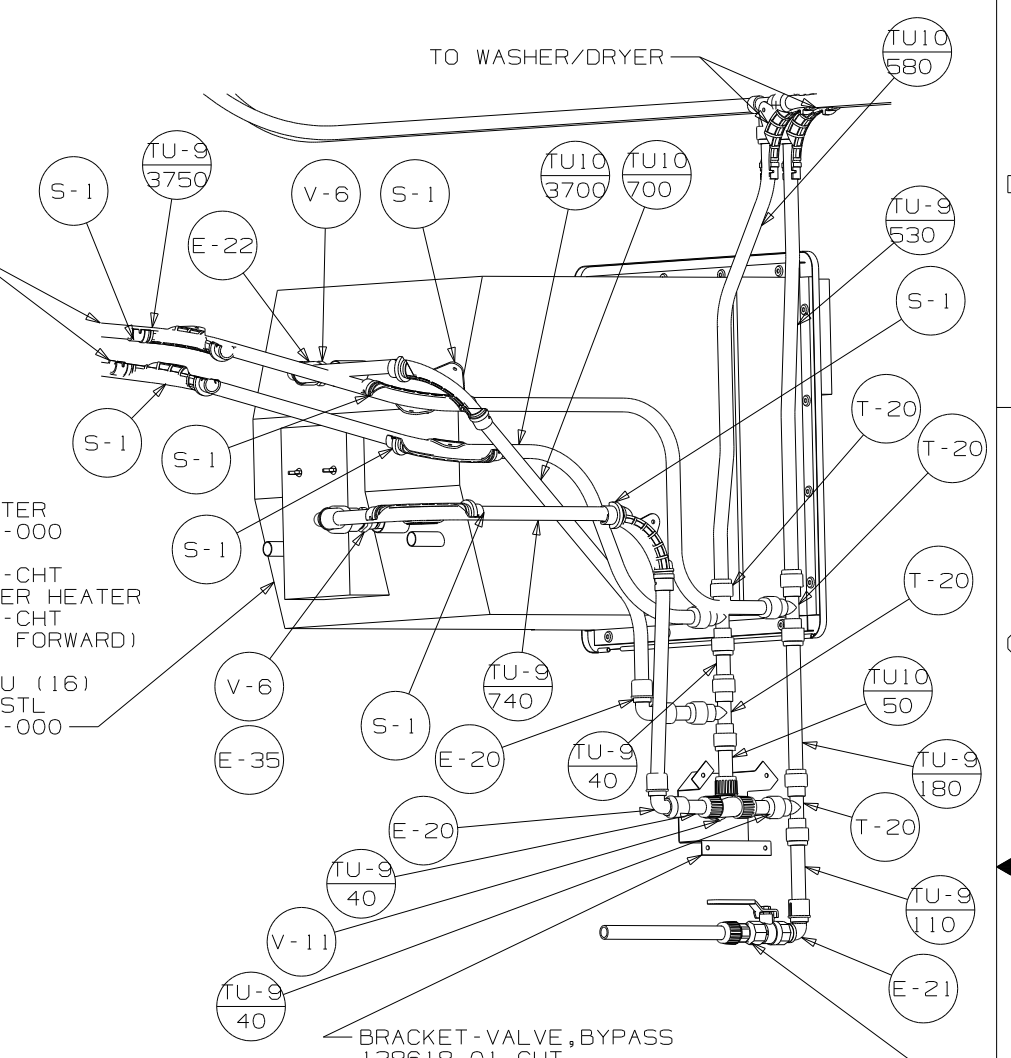
VIEW H



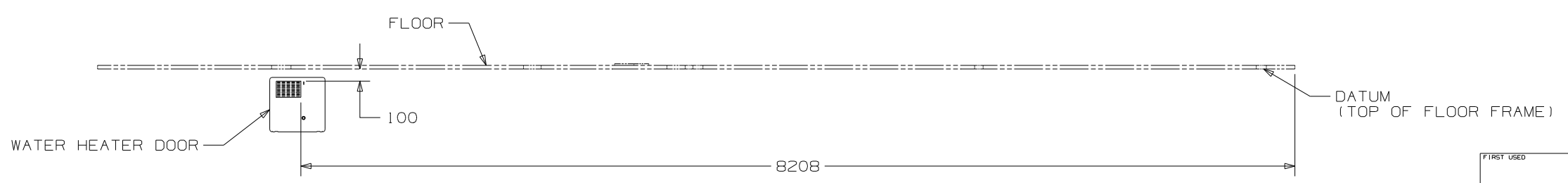
VIEW J

TO SERVICE CENTER

- WATER HEATER
145541-01-000
- DOOR
125420-01-CHT
- PLATE-WATER HEATER
133224-01-CHT
(TAB GOES FORWARD)
- SCREW
G39-10-10U (16)
- BUMPER INSTL
146507-01-000



VIEW K



VIEW L

FIRST USED	05 S40AD
TITLE	DO NOT SCALE DRAWING
SHEET 4	PART NO 148994