



**DANGER**

**Danger of electrical shock, burns or death.** Always remove all power sources before attempting any repair, service or diagnostic work. Power can be present from shore power, generator, inverter or battery. All power sources must be disabled and secured before performing any service.

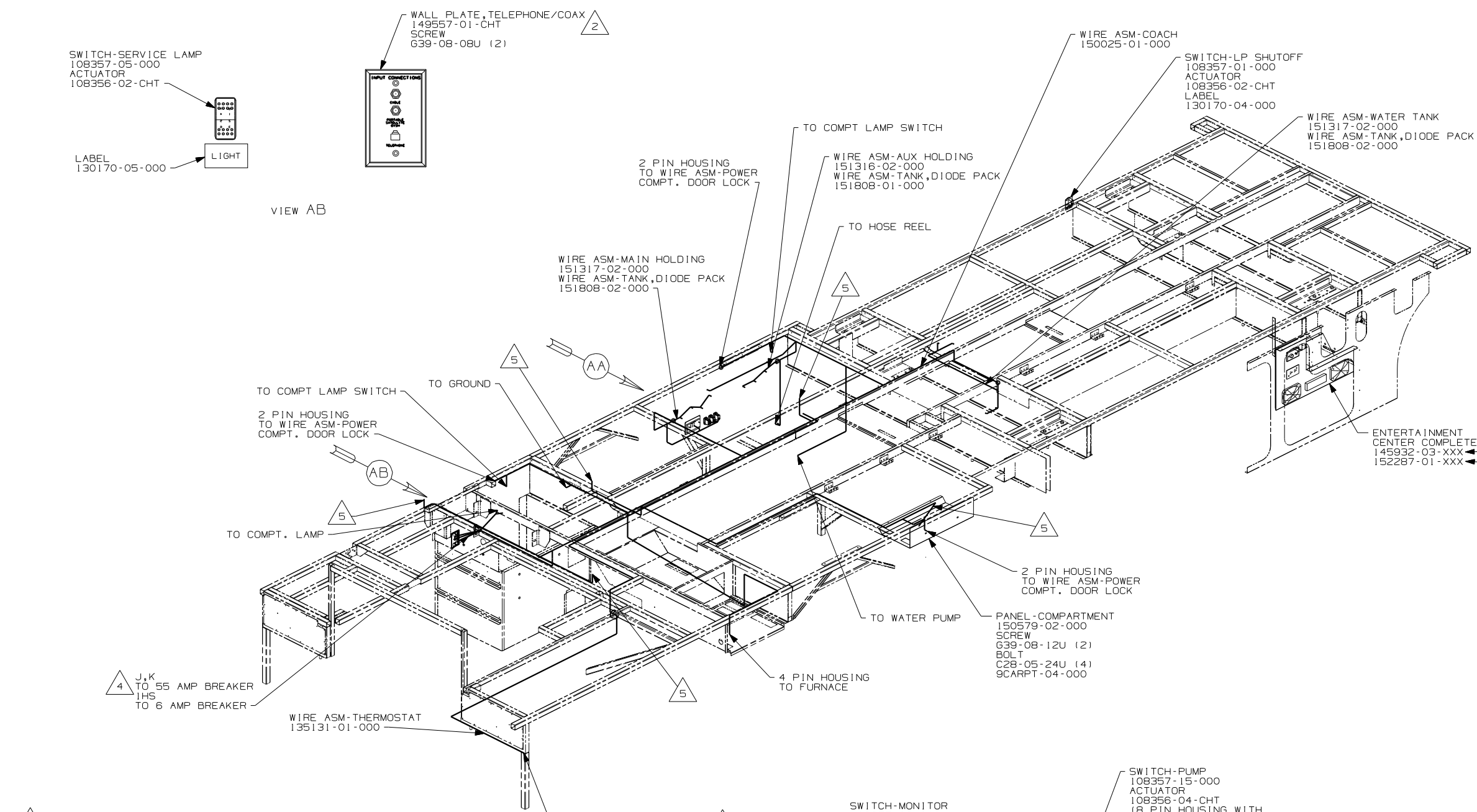


**CAUTION**

If you lack the skills, tools or equipment to perform diagnostic or repair work leave such work to an authorized Winnebago Industries dealer or other qualified shop.

DRAWING NO.	FEATURE
150026-01	(WIN)
150026-02	(ITA)

RELEASE	REV/DATE	DWG NO
	A	150026
REV ZONE	REVISION RECORD	DATE
		DTR-0R16



- 5 WIRES PASS THRU FLOOR IN THIS AREA.
- 4 SEE WIRING INSTL-CHASSIS FOR ADDITIONAL INFORMATION.
- 3 FOR MORE INFORMATION SEE A/C INSTL.
- 2 CONNECT TELEPHONE WIRES TO MATCHING COLORS ON PLATE-TELEPHONE.

1. ALL WIRES TO BE SECURED WITH CLAMP 10495 OR 10497 OR WIRE TIE 8343 OR 108046 EVERY 600MM, USE SCREW G67-XX-XXX OR G56-XX-XXX AS APPROPRIATE FOR INSTALLATION.

NOTES:

- ID5 ENTERTAINMENT CENTR/EXT W/CD
- ID3 ENTERTAIN CENTR/EXT TV-DVD
- WIN WINNEBAGO ONLY
- ITA ITASCA ONLY
- IB1 CODES/STANDARDS USA
- 265 CODES/STANDARDS-CSA/CMVSS

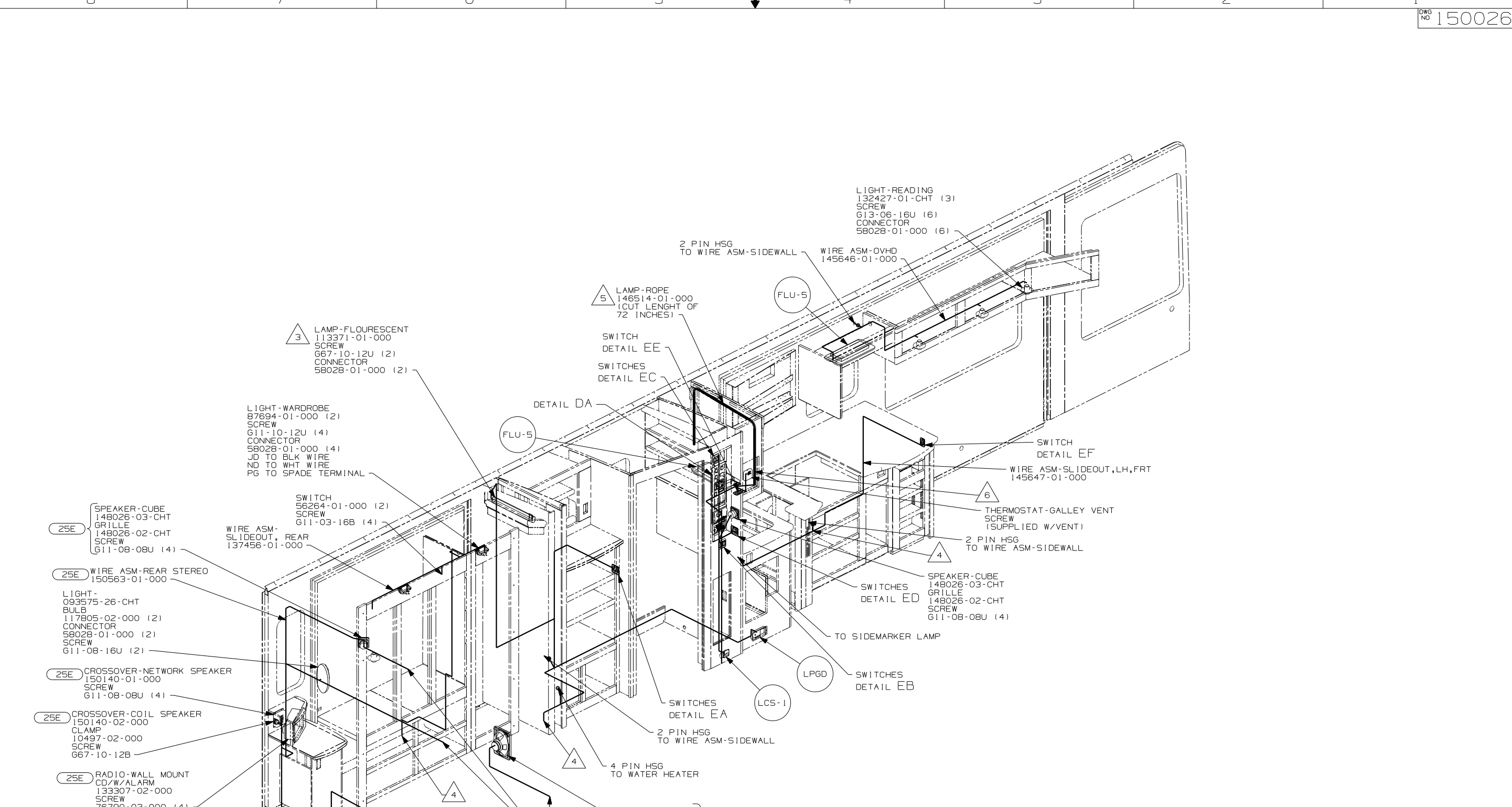
<b>WINNEBAGO</b>		COPYRIGHT 2004 WINNEBAGO INDUSTRIES, INC.	
DFT	ORIG. DATE	ALL DIMENSIONS ARE IN MILLIMETERS	
CHKR		FIRST USED <b>05 S36RD</b>	
P.E.		UNSPECIFIED TOLERANCES ARE:	
M.E.		WHOLE DIM (X)	: 1
DSNR		ONE-PLACE (X.X)	: 1.5
		TWO-PLACE (X.XX)	: 0.50
		ANGLE	: 1°
THIRD ANGLE PROJECTION		MATERIAL:	
<b>DO NOT SCALE DRAWING</b>			
TITLE: <b>WIRING INSTL-BODY, 12V</b>			
SHEET 1 OF 7		PART NO <b>150026</b>	
REF:		1 4/26/2005	

FOR ELECTRICAL  
TORQUE  
SPECIFICATIONS  
SEE DWG NO.  
128783-01-000

(X-X)

FOR  
ELECTRICAL  
CALLOUTS  
SEE DWG NO.  
121339-01-000

VIEW AA



- 5 CUT ROPE LIGHT AT X MARKS ON LIGHT AND INSTALL CONNECTOR 146514-02-000.
  - 4 WIRES ROUTE UP THRU FLOOR IN THIS AREA.
  - 3 LOCATE LAMP SO THAT THE BALLAST IS AGAINST SIDEWALL.
2. COAX CABLE IS INTERGRADED INTO THE WIRE ASM'S.
1. ALL WIRES TO BE SECURED WITH CLAMP 10495 OR 10497 OR WIRE TIE 8343 OR 108046 EVERY 600MM, USE SCREW G67-XX-XXX OR G56-XX-XXX AS APPROPRIATE FOR INSTALLATION.

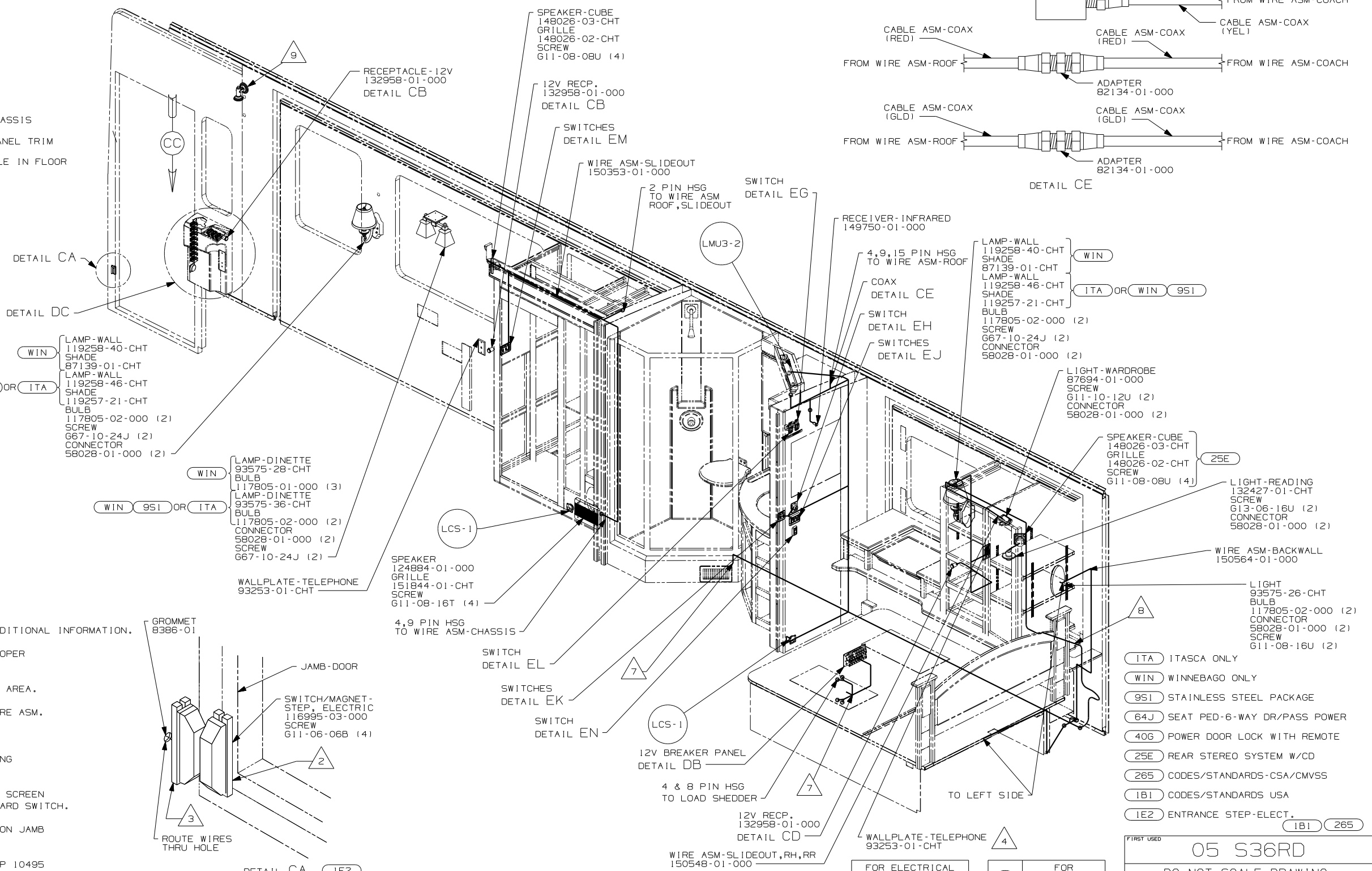
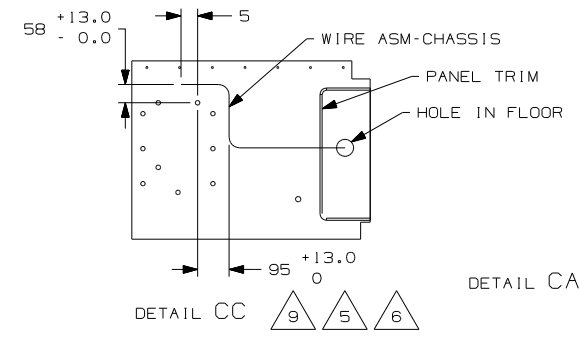
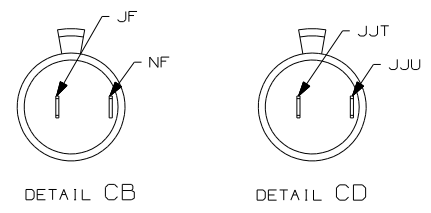
- 6 CUT ROPE LIGHT AT X MARKS ON LIGHT AND INSTALL CONNECTOR 146514-02-000.

- 25E REAR STEREO SYSTEM W/CD
- 265 CODES/STANDARDS-CSA/CMVSS
- 1B1 CODES/STANDARDS USA

FIRST USED	
05 S36RD	
DO NOT SCALE DRAWING	
TITLE:	
WIRING INSTL-BODY, 12V	
SHEET 2	PART NO
	150026

FOR ELECTRICAL TORQUE SPECIFICATIONS SEE DWG NO. 128783-01-000

FOR ELECTRICAL CALLOUTS SEE DWG NO. 121339-01-000



WIN LAMP-WALL 119258-40-CHT SHADE 87139-01-CHT LAMP-WALL 119258-46-CHT SHADE 119257-21-CHT BULB 117805-02-000 (2) SCREW 667-10-24J (2) CONNECTOR 58028-01-000 (2)

WIN LAMP-DINETTE 93575-28-CHT BULB 117805-01-000 (3) LAMP-DINETTE 93575-36-CHT BULB 117805-02-000 (2) CONNECTOR 58028-01-000 (2) SCREW 667-10-24J (2)

SPEAKER 124884-01-000 GRILLE 151844-01-CHT SCREW 611-08-16T (4)

RECEIVER-INFRARED 149750-01-000  
4,9,15 PIN HSG TO WIRE ASM-ROOF  
COAX  
SWITCH  
SWITCHES

LAMP-WALL 119258-40-CHT SHADE 87139-01-CHT LAMP-WALL 119258-46-CHT SHADE 119257-21-CHT BULB 117805-02-000 (2) SCREW 667-10-24J (2) CONNECTOR 58028-01-000 (2)

LIGHT-WARDROBE 87694-01-000 SCREW 611-10-12U (2) CONNECTOR 58028-01-000 (2)

SPEAKER-CUBE 148026-03-CHT GRILLE 148026-02-CHT SCREW 611-08-08U (4)

LIGHT-READING 132427-01-CHT SCREW 613-06-16U (2) CONNECTOR 58028-01-000 (2) SCREW 611-08-16U (2)

- 9 SEE WIRING INSTL-FRONT END FOR ADDITIONAL INFORMATION.
- 8 SEE WIRING INSTL-BODY,110V FOR PROPER ROUTING AND CLAMPING OF WIRES.
- 7 WIRES ROUTE UP THRU FLOOR IN THIS AREA.
- 6 WITHOUT 64J TIE BACK TO MAIN WIRE ASM.
- 5 ROUTE WIRE UNDER FLOOR SHOWN.
- 4 CONNECT TELEPHONE WIRES TO MATCHING COLORS ON PLATE-TELEPHONE.
- 3 MOUNT MAGNET USING PILOT HOLES IN SCREEN DOOR FRAME. MOUNT WITH MAGNET TOWARD SWITCH.
- 2 MOUNT SWITCH AND SPACER TO BLOCK ON JAMB ADJUST HEIGHT TO MATCH MAGNET.

1. ALL WIRES TO BE SECURED WITH CLAMP 10495 OR 10497 OR WIRE TIE 8343 OR 108046 EVERY 600MM, USE SCREW G67-XX-XXX OR G56-XX-XXX AS APPROPRIATE FOR INSTALLATION.

NOTES:

- ITA ITASCA ONLY
- WIN WINNEBAGO ONLY
- 9SI STAINLESS STEEL PACKAGE
- 64J SEAT PED-6-WAY DR/PASS POWER
- 40G POWER DOOR LOCK WITH REMOTE
- 25E REAR STEREO SYSTEM W/CD
- 265 CODES/STANDARDS-CSA/CMVSS
- 1B1 CODES/STANDARDS USA
- 1E2 ENTRANCE STEP-ELECT.

FOR ELECTRICAL TORQUE SPECIFICATIONS SEE DWG NO. 128783-01-000

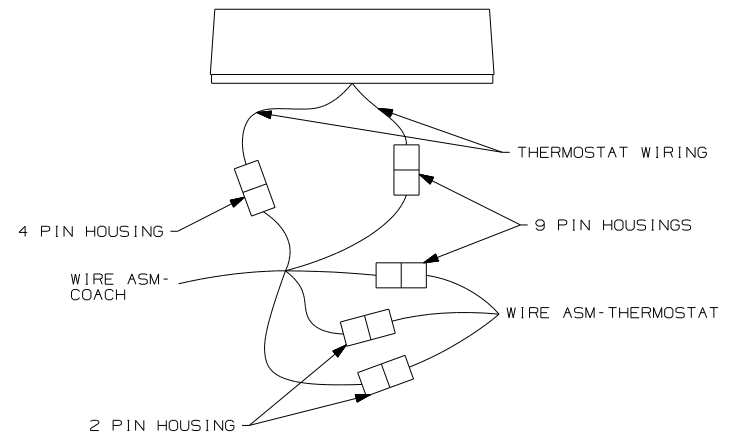
FOR ELECTRICAL CALLOUTS SEE DWG NO. 121339-01-000

FIRST USED 05 S36RD

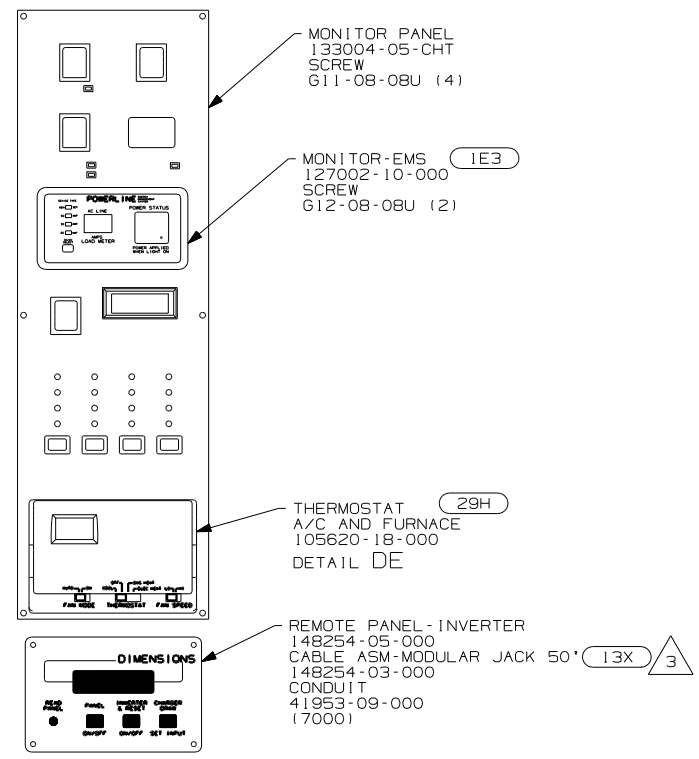
DO NOT SCALE DRAWING

TITLE: WIRING INSTL-BODY,12V

SHEET 3 PART NO 150026

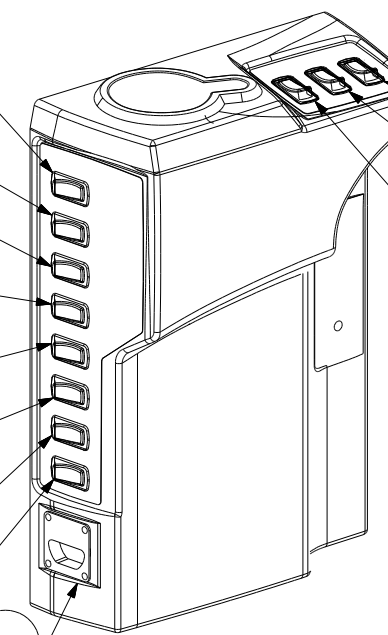


DETAIL DE

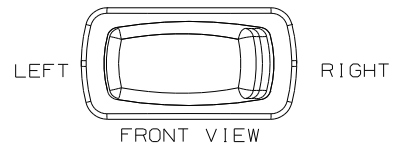


DETAIL DA

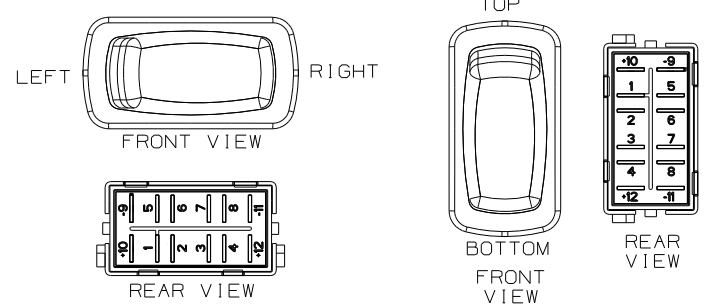
- 1 SWITCH-LOUNGE LAMP  
145638-10-CHT  
(CONNECTS HOUSING WITH  
CIRCUITS FFW,PL,FFX)
- 2 SWITCH-PORCH  
145638-01-CHT  
(CONNECTS HOUSING WITH  
CIRCUITS NM,PJ)
- 1 SWITCH-DOOR LOCKS  
145638-09-CHT  
(CONNECTS HOUSING WITH  
CIRCUITS PX,MK,PY)
- 1 SWITCH-COMPARTMENT  
DOOR LOCKS  
145638-09-CHT  
(CONNECTS HOUSING WITH  
CIRCUITS DDZ,MK,EEA)
- 1 SWITCH-AWNING SELECTOR  
145638-07-CHT  
(CONNECTS HOUSING WITH  
CIRCUITS FFP,FFV,FFU,FFL)
- 1 SWITCH-AWNING CONTROL  
145638-09-CHT  
(CONNECTS HOUSING WITH  
CIRCUITS FFM,FFU,FFK,  
FFR,FFV,FFN)
- 2 SWITCH-STEP  
145638-01-CHT  
(CONNECTS HOUSING WITH  
CIRCUITS ER,ES)
- 1 SWITCH-BATTERY DISCONNECT  
145638-09-CHT  
(CONNECTS HOUSING WITH  
CIRCUITS KF,LH,LJ,  
LJ,LG,KF)



DETAIL DC



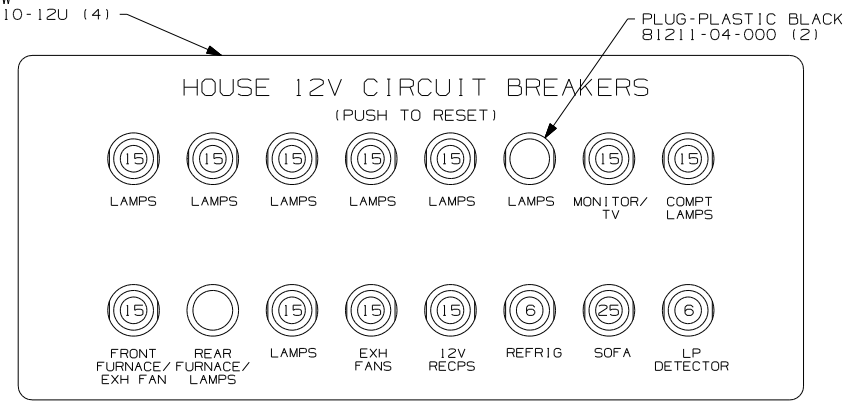
DETAIL EG  
(MOUNTED HORIZONTALLY)



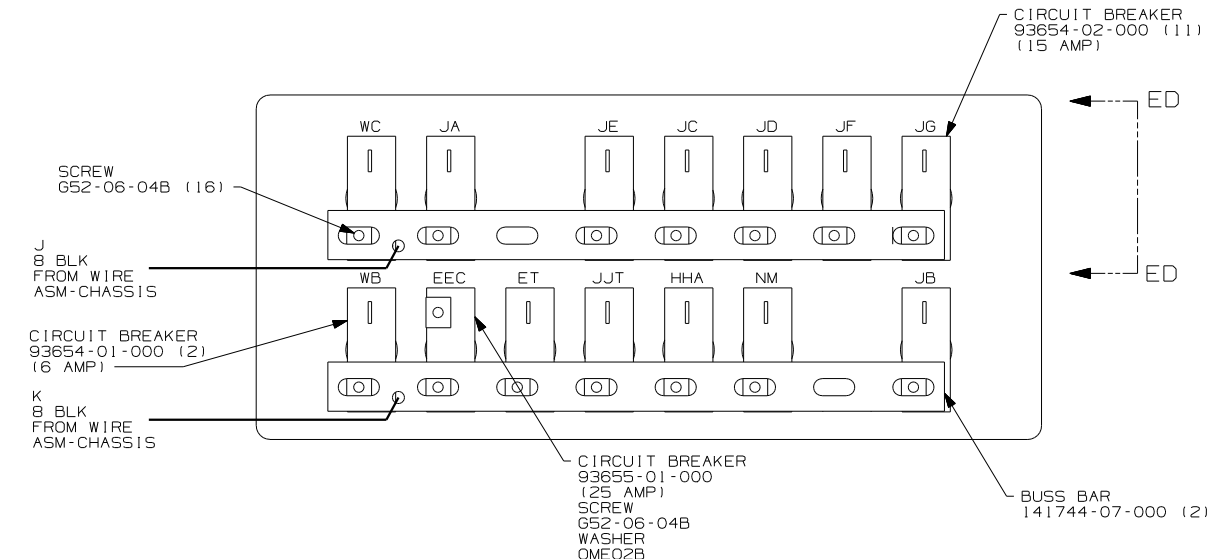
DETAIL DF  
(MOUNTED HORIZONTALLY) (MOUNTED VERTICALLY)

- NOTES:
- 3 CONNECT CIRCUIT WB FROM COACH WIRING TO RED WIRE ON REMOTE PANEL.
  - 2 FOR SWITCH ORIENTATION, SEE DETAIL EG
  - 1 FOR SWITCH ORIENTATION, SEE DETAIL EF

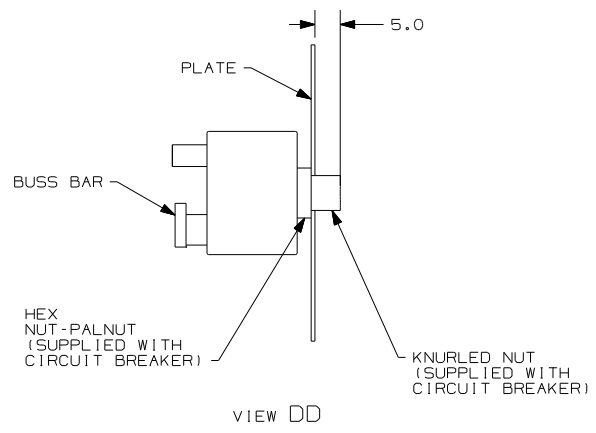
PLATE  
139067-05-CHT  
LABEL  
92547-13-000  
SCREW  
G11-10-12U (4)



DETAIL DB  
(FRONT VIEW)



DETAIL DB  
(BACK VIEW)

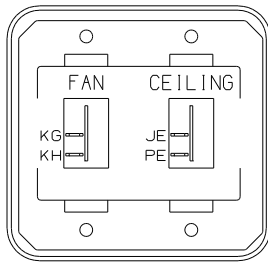


- (29H) A/C CENTRAL\_HEAT PUMP
- (13X) INVERTER/CHARGER 2.0 KW
- (IE3) ENERGY MANAGEMENT SYSTEM
- (265) CODES/STANDARDS-CSA/CMVSS
- (1B1) CODES/STANDARDS USA

FOR ELECTRICAL TORQUE SPECIFICATIONS SEE DWG NO. 128783-01-000

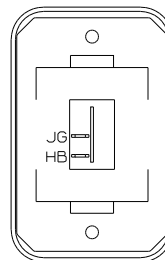
(X-X) FOR ELECTRICAL CALLOUTS SEE DWG NO. 121339-01-000

FIRST USED	05 S36RD
TITLE:	DO NOT SCALE DRAWING
	WIRING INSTL-BODY,12V
SHEET 4	PART NO 150026



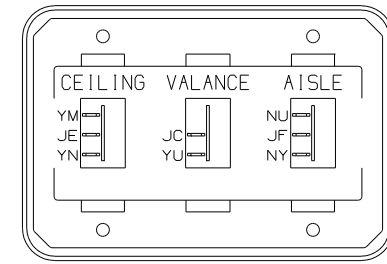
SWITCH-ROCKER  
135740-01-CHT (2)  
SWITCH-BASE  
135741-02-CHT  
SWITCH-BEZEL  
135742-33-CHT  
SCREW  
G11-08-08U (4)

DETAIL EA



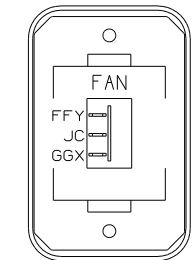
SWITCH-ROCKER  
135740-01-CHT  
SWITCH-BASE  
135741-01-CHT  
SWITCH-BEZEL  
135742-01-CHT  
SCREW  
G11-08-08U (2)

DETAIL EE



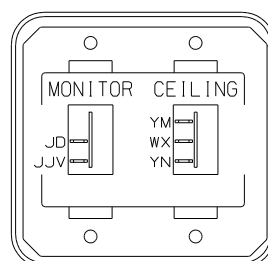
SWITCH-ROCKER  
135740-01-CHT  
135740-02-CHT (2)  
SWITCH-BASE  
135741-03-CHT  
SWITCH-BEZEL  
135742-22-CHT  
SCREW  
G11-08-08U (4)

DETAIL EJ



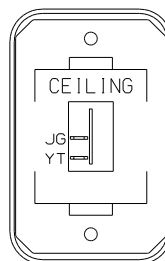
SWITCH-ROCKER  
135740-04-CHT  
SWITCH-BASE  
135741-01-CHT  
SWITCH-BEZEL  
135742-12-CHT  
SCREW  
G11-08-08U (2)  
WIRE ASM-RESISTOR,FAN  
140195-01-000

DETAIL EN (41Y)



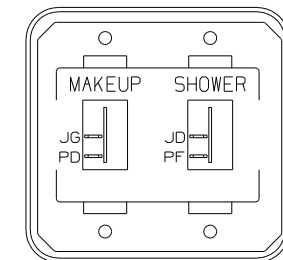
SWITCH-ROCKER  
135740-01-CHT  
135740-02-CHT  
SWITCH-BASE  
135741-02-CHT  
SWITCH-BEZEL  
135742-31-CHT  
SCREW  
G11-08-08U (4)

DETAIL EB



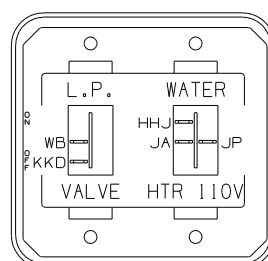
SWITCH-ROCKER  
135740-01-CHT  
SWITCH-BASE  
135741-01-CHT  
SWITCH-BEZEL  
135742-07-CHT  
SCREW  
G11-08-08U (2)

DETAIL EF



SWITCH-ROCKER  
135740-01-CHT (2)  
SWITCH-BASE  
135741-02-CHT  
SWITCH-BEZEL  
135742-20-CHT  
SCREW  
G11-08-08U (4)

DETAIL EK



SWITCH-ROCKER  
135740-01-CHT  
135740-06-CHT  
SWITCH-BASE  
135741-02-CHT  
SWITCH-BEZEL  
135742-34-CHT  
SCREW  
G11-08-08U (4)

DETAIL EC

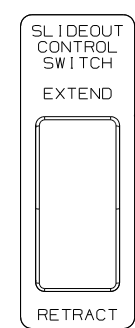


PLATE-SWITCH  
144363-09-000  
SWITCH  
108357-06-CHT  
ACTUATOR  
108356-02-CHT  
NUT  
D65-08-00B (2)  
LABEL  
116220-01-000  
DDA,CCY,DDA,BBM,CCZ,BBN

DETAIL EG

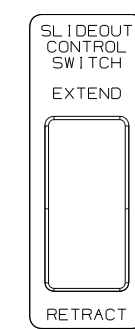
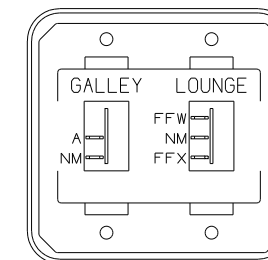


PLATE-SWITCH  
144363-09-000  
SWITCH  
108357-06-CHT  
ACTUATOR  
108356-02-CHT  
NUT  
D65-08-00B (2)  
LABEL  
116220-01-000  
DDA,CCY,DDA,BBM,CCZ,BBN

DETAIL EL

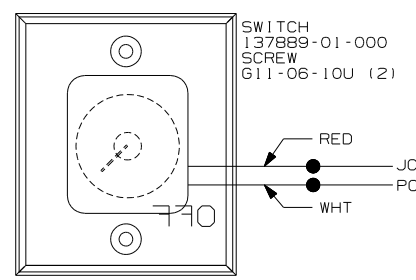
**WARNING** UNDERSTAND OPERATOR'S MANUAL BEFORE USING  
KEEP PEOPLE AND OBSTRUCTIONS CLEAR OF  
SLIDEOUT ROOM WHEN OPERATING TO AVOID  
INJURY AND/OR PROPERTY DAMAGE

**WARNING** UNDERSTAND OPERATOR'S MANUAL BEFORE USING  
KEEP PEOPLE AND OBSTRUCTIONS CLEAR OF  
SLIDEOUT ROOM WHEN OPERATING TO AVOID  
INJURY AND/OR PROPERTY DAMAGE



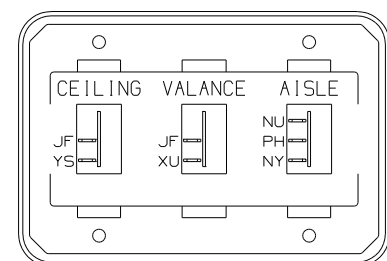
SWITCH-ROCKER  
135740-01-CHT  
135740-02-CHT  
SWITCH-BASE  
135741-02-CHT  
SWITCH-BEZEL  
135742-18-CHT  
SCREW  
G11-08-08U (4)

DETAIL ED



SWITCH  
137889-01-000  
SCREW  
G11-06-10U (2)

DETAIL EH



SWITCH-ROCKER  
135740-01-CHT (2)  
135740-02-CHT  
SWITCH-BASE  
135741-03-CHT  
SWITCH-BEZEL  
135742-22-CHT  
SCREW  
G11-08-08U (4)

DETAIL EM

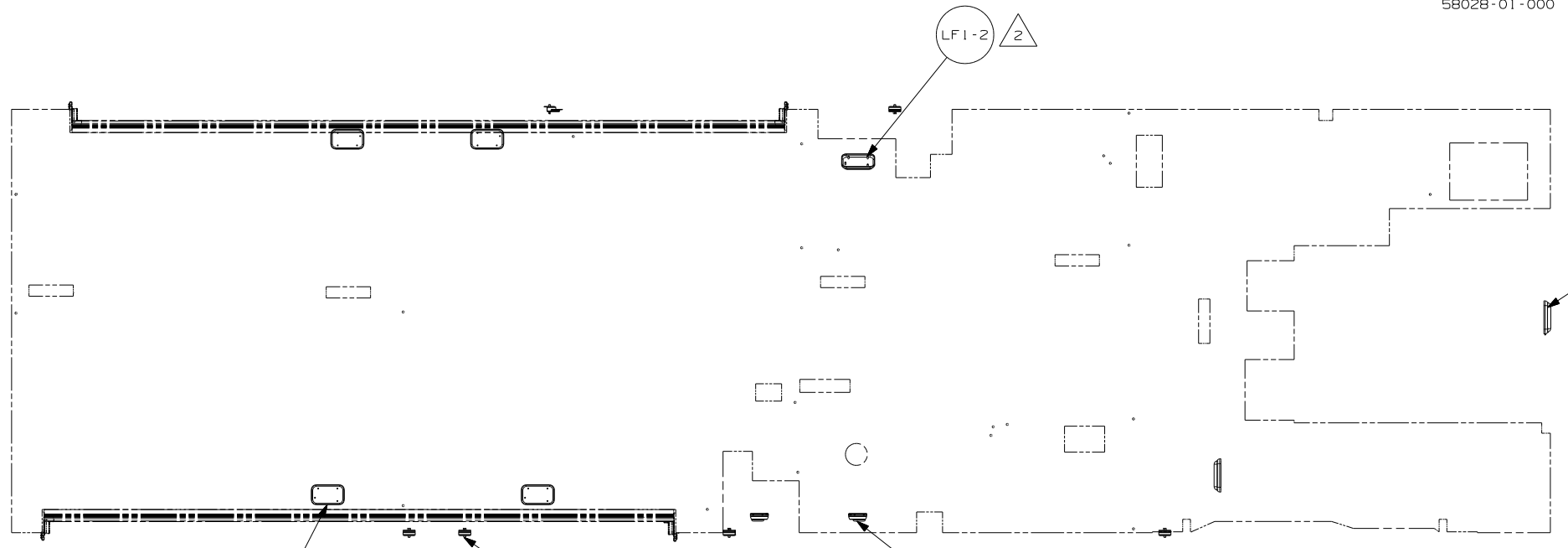
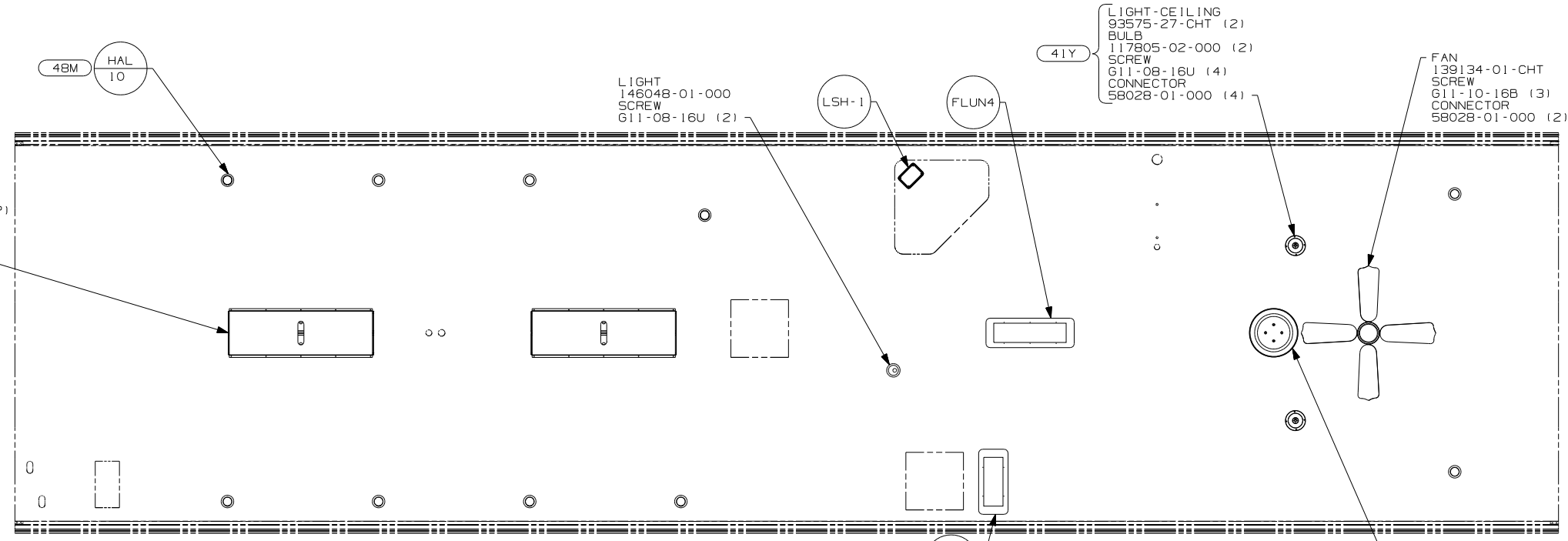
(41Y) FAN-CEILING

(IB1) 265

FIRST USED	
05 S36RD	
DO NOT SCALE DRAWING	
TITLE: WIRING INSTL-BODY,12V	
SHEET 5	PART NO 150026

FOR ELECTRICAL  
TORQUE  
SPECIFICATIONS  
SEE DWG NO.  
128783-01-000

(X-X)  
FOR  
ELECTRICAL  
CALLOUTS  
SEE DWG NO.  
121339-01-000



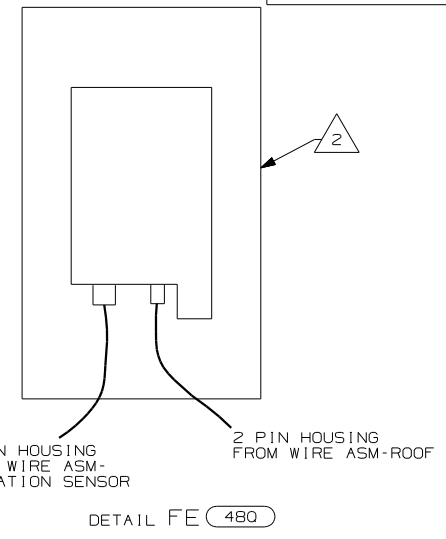
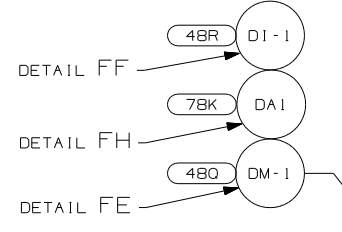
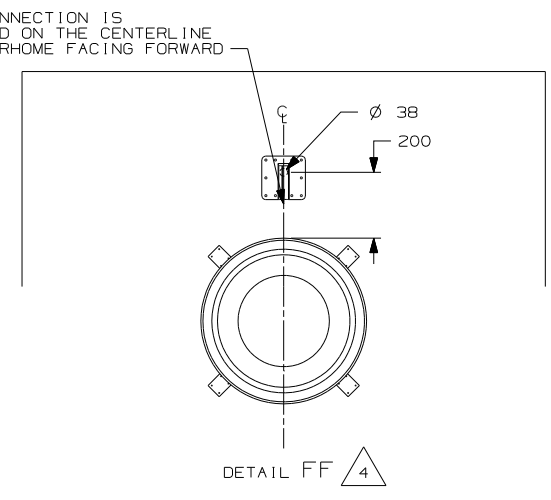
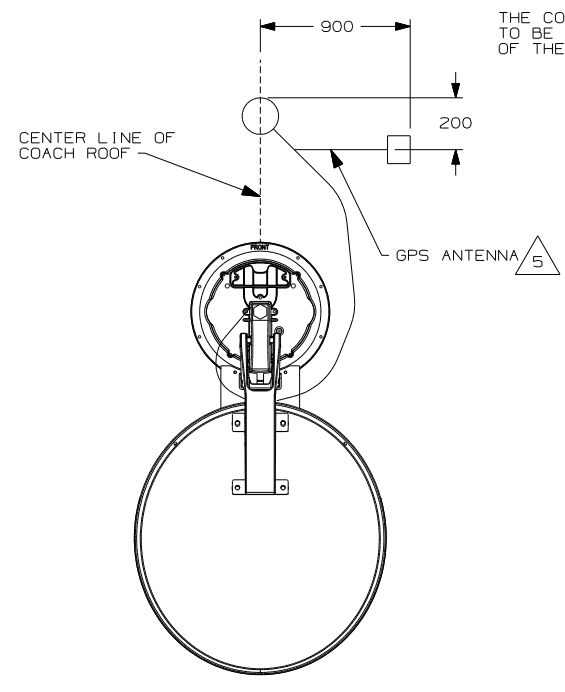
- 41Y FAN-CEILING
- 412 DECORATIVE LIGHT-CEILING
- 20C SOUND SYS. DLX. W/O-SURROUND
- 48M LIGHTS-INCANDESCENT
- 48V LIGHTS-FLUORESCENT
- 265 CODES/STANDARDS-CSA/CMVSS
- 1B1 CODES/STANDARDS USA

- NOTES:
- 3 CENTER FAN OVER 25mm HOLE IN ROOF.
  - 2 LIGHT MOUNTED BELOW EXT ENT CTR.
  - 1 LAMPS TO BE MOUNTED WITH SWITCH OUTBOARD AND 75 ±20 FROM EDGE OF FLOOR.

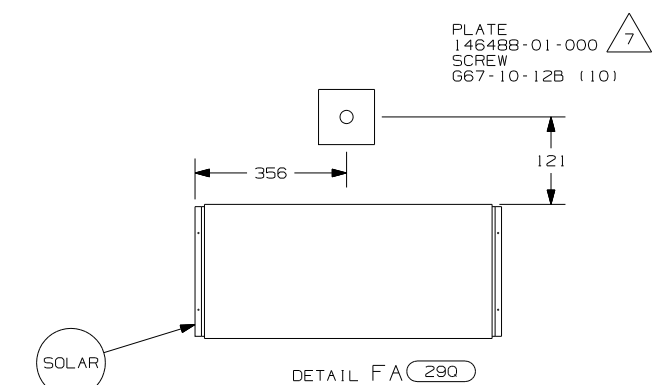
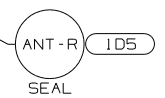
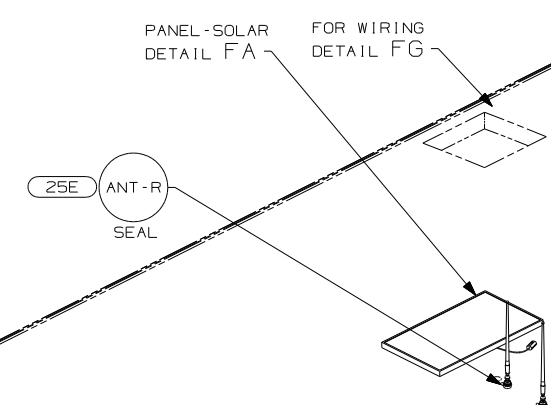
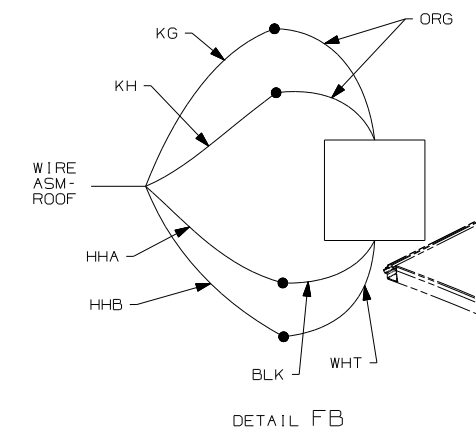
FOR ELECTRICAL TORQUE SPECIFICATIONS SEE DWG NO. 128783-01-000

FOR ELECTRICAL CALLOUTS SEE DWG NO. 121339-01-000

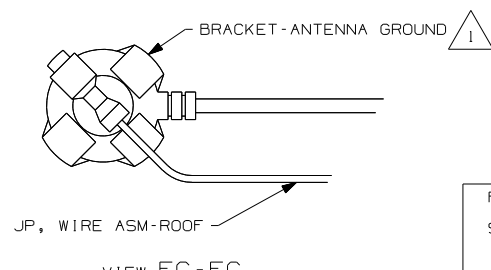
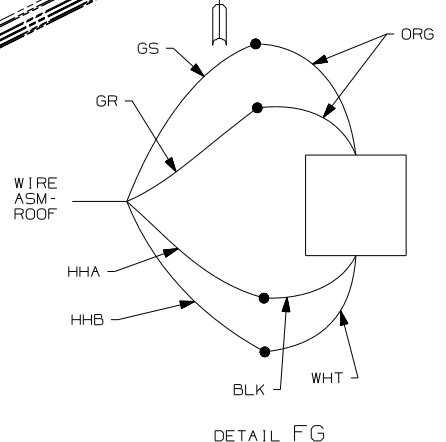
FIRST USED	05 S36RD
DO NOT SCALE DRAWING	
TITLE:	WIRING INSTL-BODY, 12V
SHEET 6	PART NO 150026



DETAIL FH



- NOTES:
- 5 MOUNT GPS ANTENNA TO THE RIGHT OF THE SATELLITE AS SHOWN. SECURE CABLE WITH ROOF SEALANT.
  - 4 REMOVE ALL SHIPPING RESTRAINTS AND FIRMLY INSERT THE SUPPLIED PLUGS INTO THE APPROPRIATE SIZED HOLES AS SPECIFIED IN THE INSTALLATION PROCESS.
  - 3 SEE MANUFACTURER'S INSTALLATION FOR ADDITIONAL INFORMATION.
  - 2 SENSOR SUPPLIED WITH SATELLITE ASSEMBLY.
  - 1 WRAP BRACKET LEGS AROUND ANTENNA BASE.



FOR ELECTRICAL TORQUE SPECIFICATIONS SEE DWG NO. 128783-01-000

FOR ELECTRICAL CALLOUTS SEE DWG NO. 121339-01-000

- 48R SAT. SYS. IN-MOTION W/O RCVR.
- 48Q SATELLITE DISH & ELEV. SENSOR
- 105 ENTERTAINMENT CTR/EXT W/CD
- 290 SOLAR PANEL-10 WATT
- 265 CODES/STANDARDS-CSA/CMVSS
- 1B1 CODES/STANDARDS USA

FIRST USED	05 S36RD
TITLE	DO NOT SCALE DRAWING
WIRING INSTL-BODY, 12V	
SHEET 7	PART NO 150026