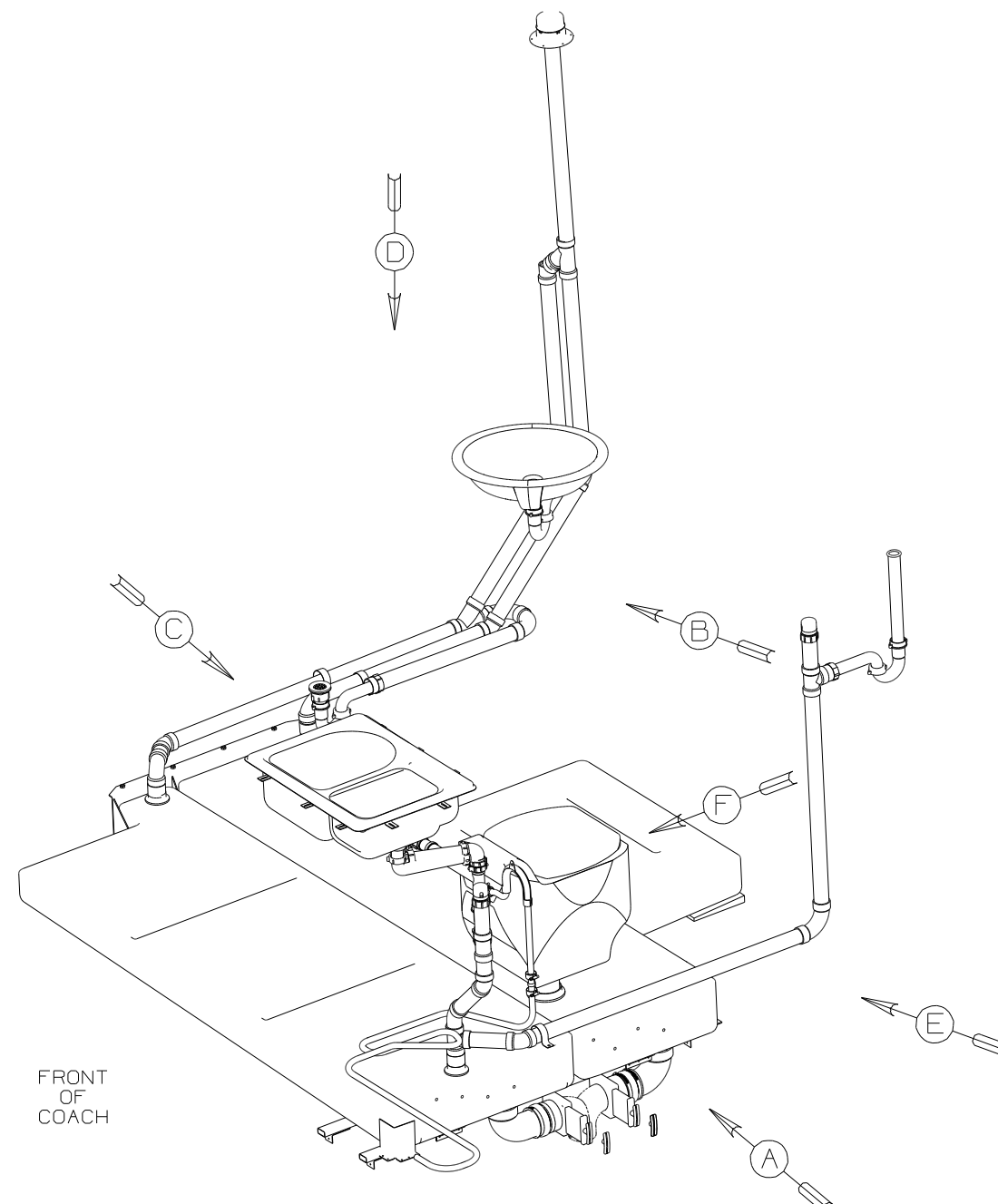


DWG NO	----
148131-01	(WIN)
148131-02	(ITA)

RELEASE	REV DATE	DWG NO
A		148131
REV ZONE	REVISION RECORD	DATE



FRONT OF COACH

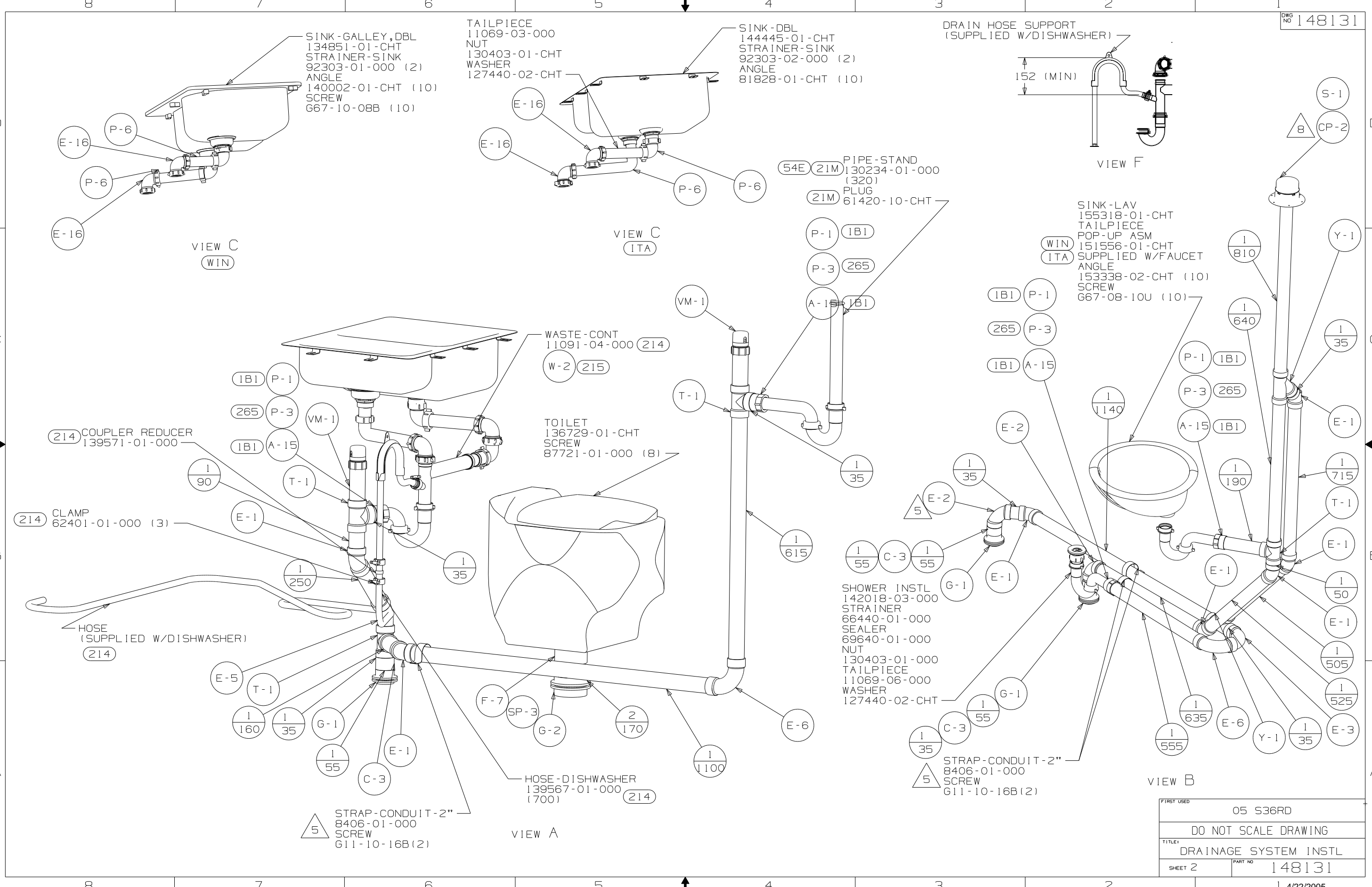
- (WIN) WINNEBAGO ONLY
- (ITA) ITASCA ONLY
- (1B1) CODES/STANDARDS-USA
- (265) CODES/STDS-CSA/CMVSS
- (54E) WASHER/DRYER
- (21M) WASHER/DRYER PREP
- (43M) TOILET PORCELAIN-ELONGATED

- 8 VENT PIPE MUST PROJECT 51 MIN AND 64 MAX. ABOVE ROOF FOR PROPER FIT AND FUNCTION.
7. SEE DWG 61607-01-000 FOR INSTL OF GROMMETS.
6. SEAL ALL AROUND SHOWER WITH SILICONE.
- 5 SECURE PIPES TO FLOOR USING BRACKET AND SCREW AS SHOWN.
4. ALL EXTERIOR OPENINGS AROUND PIPE TO BE SEALED WITH 110744-01-000.
3. ALL PIPE AND FITTINGS TO BE ASSEMBLED WITH SOLVENT 4020-01-000 (US) 4020-02-000 (CAN).
2. SLOPE OF TRAP ARM MUST BE 6 PER 305 mm.
1. SLOPE OF HORIZONTAL PIPING TO BE 6 PER 305 mm.

NOTES:

(X-X)
FOR DRAINAGE CALLOUTS SEE DWG NO 116229-01-000

WINNEBAGO		COPYRIGHT 2005 WINNEBAGO INDUSTRIES, INC.	
DFT	ORIG. DATE	ALL DIMENSIONS ARE IN MILLIMETERS	
CHKR		FIRST USED	
P.E.		05 S36RD	
M.E.		UNSPECIFIED TOLERANCES ARE:	
DSNR		MATERIAL:	
		WHOLE DIM (X) :	3
		ONE-PLACE (X.X) :	
		TWO-PLACE (X.XX) :	
		ANGLE :	
		THIRD ANGLE PROJECTION	
DO NOT SCALE DRAWING			
TITLE: DRAINAGE SYSTEM INSTL			
SHEET 1 OF 3	PART NO	148131	
REF: 147022 1 4/22/2005			

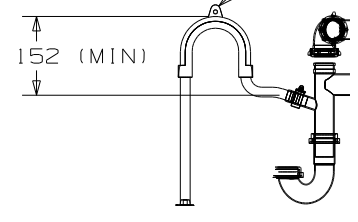


SINK-GALLEY, DBL
134851-01-CHT
STRAINER-SINK
92303-01-000 (2)
ANGLE
140002-01-CHT (10)
SCREW
G67-10-08B (10)

TAILPIECE
11069-03-000
NUT
130403-01-CHT
WASHER
127440-02-CHT

SINK-DBL
144445-01-CHT
STRAINER-SINK
92303-02-000 (2)
ANGLE
81828-01-CHT (10)

DRAIN HOSE SUPPORT
(SUPPLIED W/DISHWASHER)



VIEW F

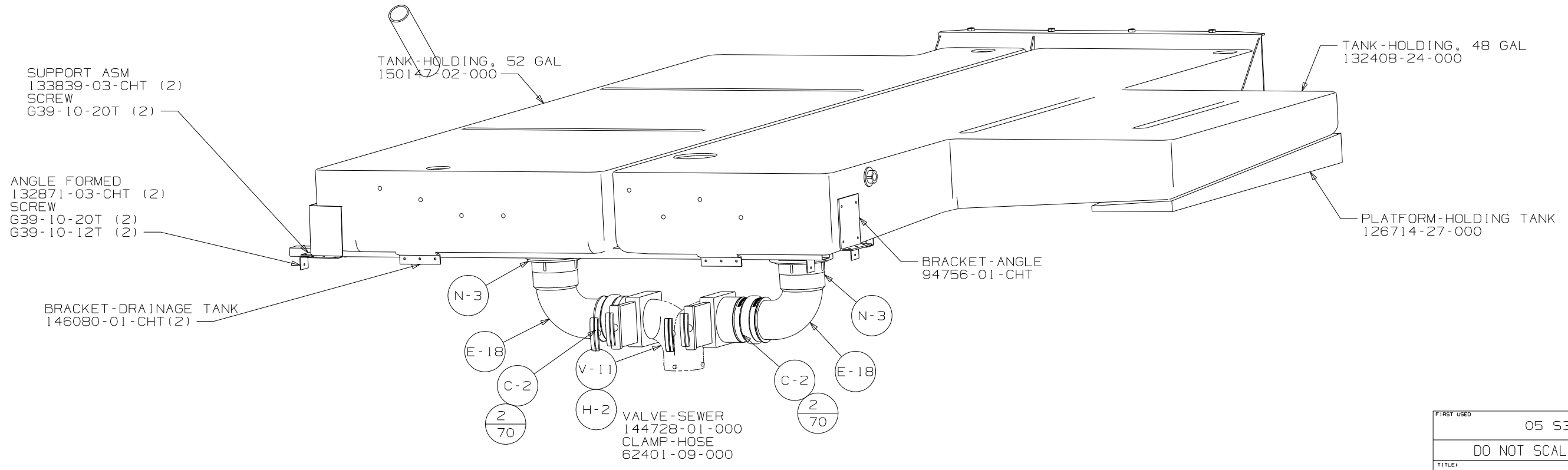
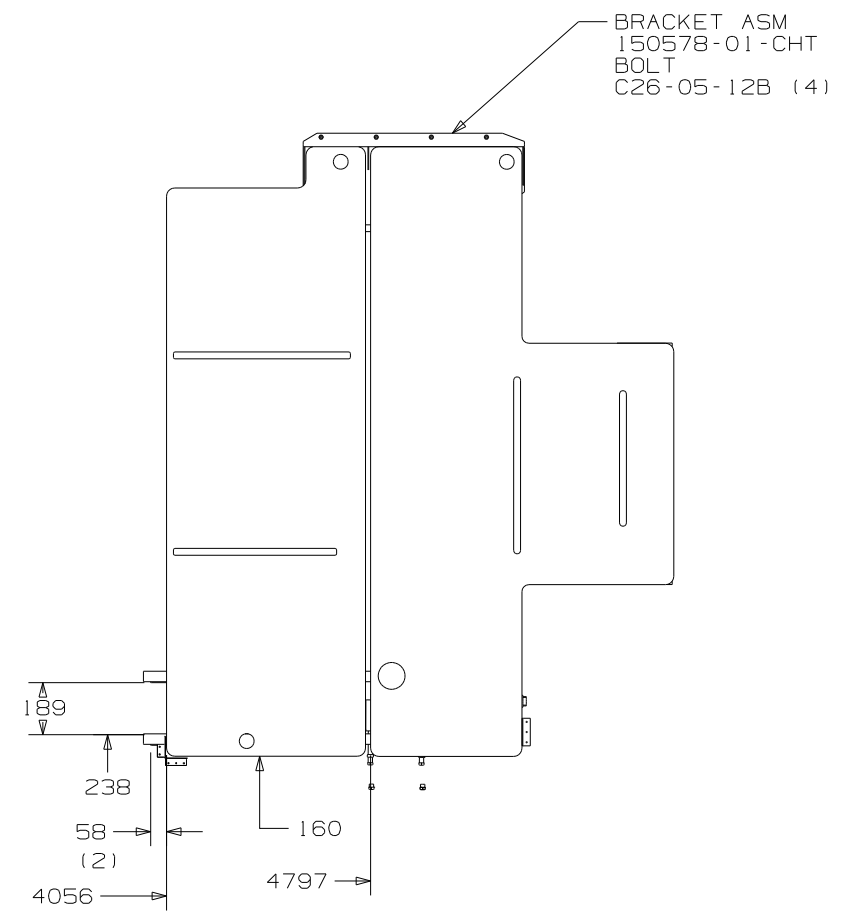
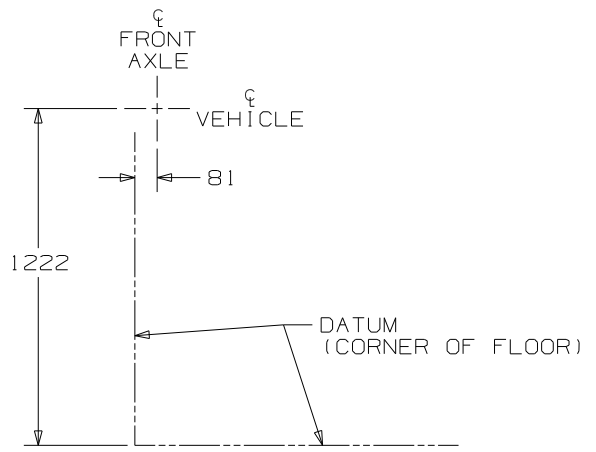
VIEW C
(WIN)

VIEW C
(ITA)

SINK-LAV
155318-01-CHT
TAILPIECE
POP-UP ASM
151556-01-CHT
SUPPLIED W/FAUCET
ANGLE
153338-02-CHT (10)
SCREW
G67-08-10U (10)

VIEW B

FIRST USED	05 S36RD
TITLE	DO NOT SCALE DRAWING
TITLE	DRAINAGE SYSTEM INSTL
SHEET 2	PART NO 148131

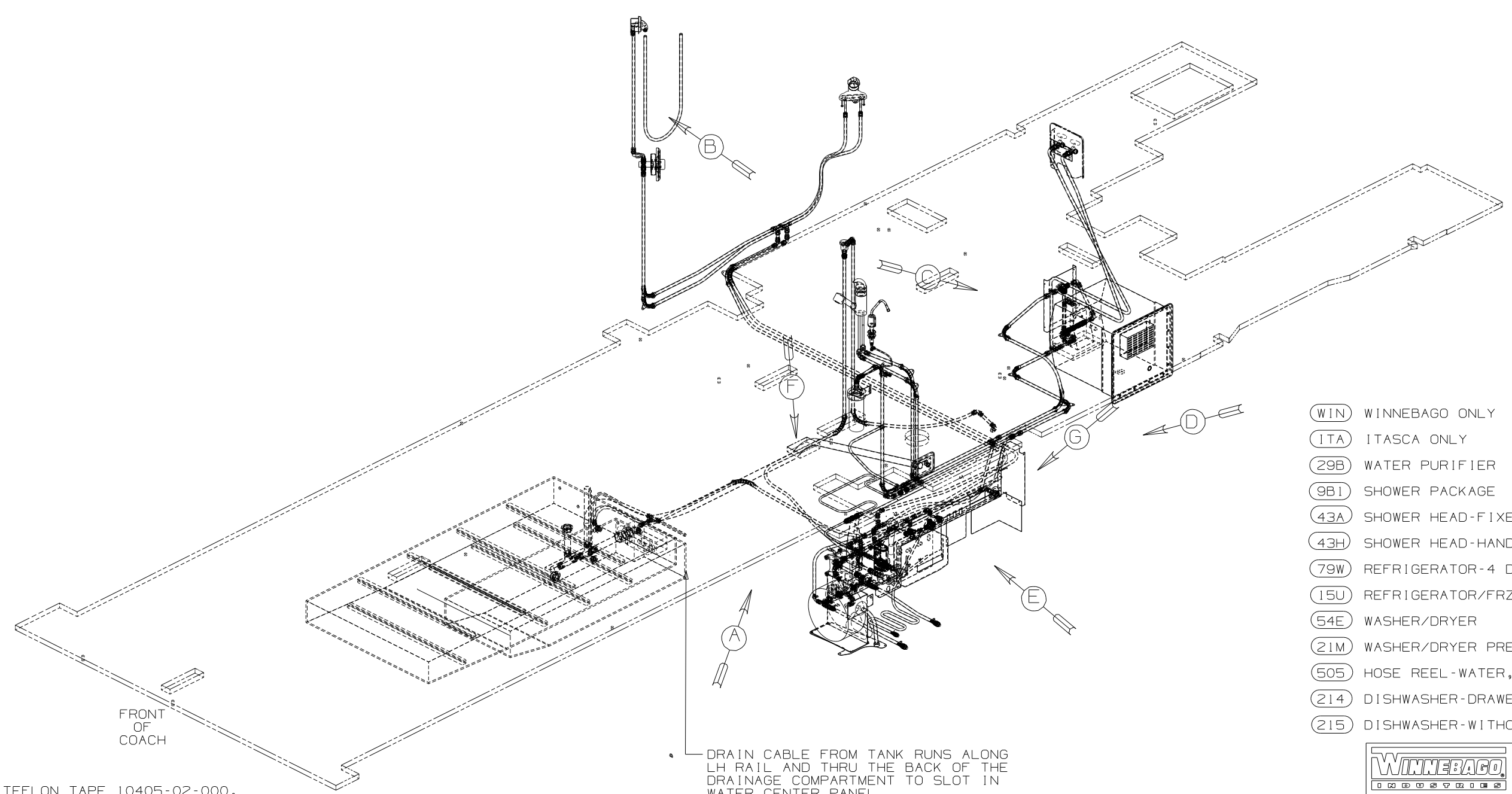


VIEW E

FIRST USED	05 S36RD
DO NOT SCALE DRAWING	
TITLE	DRAINAGE SYSTEM INSTL
SHEET 3	PART NO 148131

DWG NO	----
148132-01	(WIN)
148132-02	(ITA)

RELEASE	REV DATE	DWG NO
A		148132
REV ZONE	REVISION RECORD	DATE
		DFTR-0016



- (WIN) WINNEBAGO ONLY
- (ITA) ITASCA ONLY
- (29B) WATER PURIFIER
- (9B1) SHOWER PACKAGE
- (43A) SHOWER HEAD-FIXED
- (43H) SHOWER HEAD-HAND HELD
- (79W) REFRIGERATOR-4 DOOR
- (15U) REFRIGERATOR/FRZR W-ICEMAKER
- (54E) WASHER/DRYER
- (21M) WASHER/DRYER PREP
- (505) HOSE REEL-WATER,POWERED
- (214) DISHWASHER-DRAWER STYLE
- (215) DISHWASHER-WITHOUT

- 7 ADD TEFLON TAPE 10405-02-000.
- 6 ADD TEFLON TAPE 10405-01-000.
- 5 ADD TEFLON TAPE 10405-03-000.
- 4 FLUSHING SYSTEM REQUIRES 125697-06-000 INSTRUCTION SHEET.

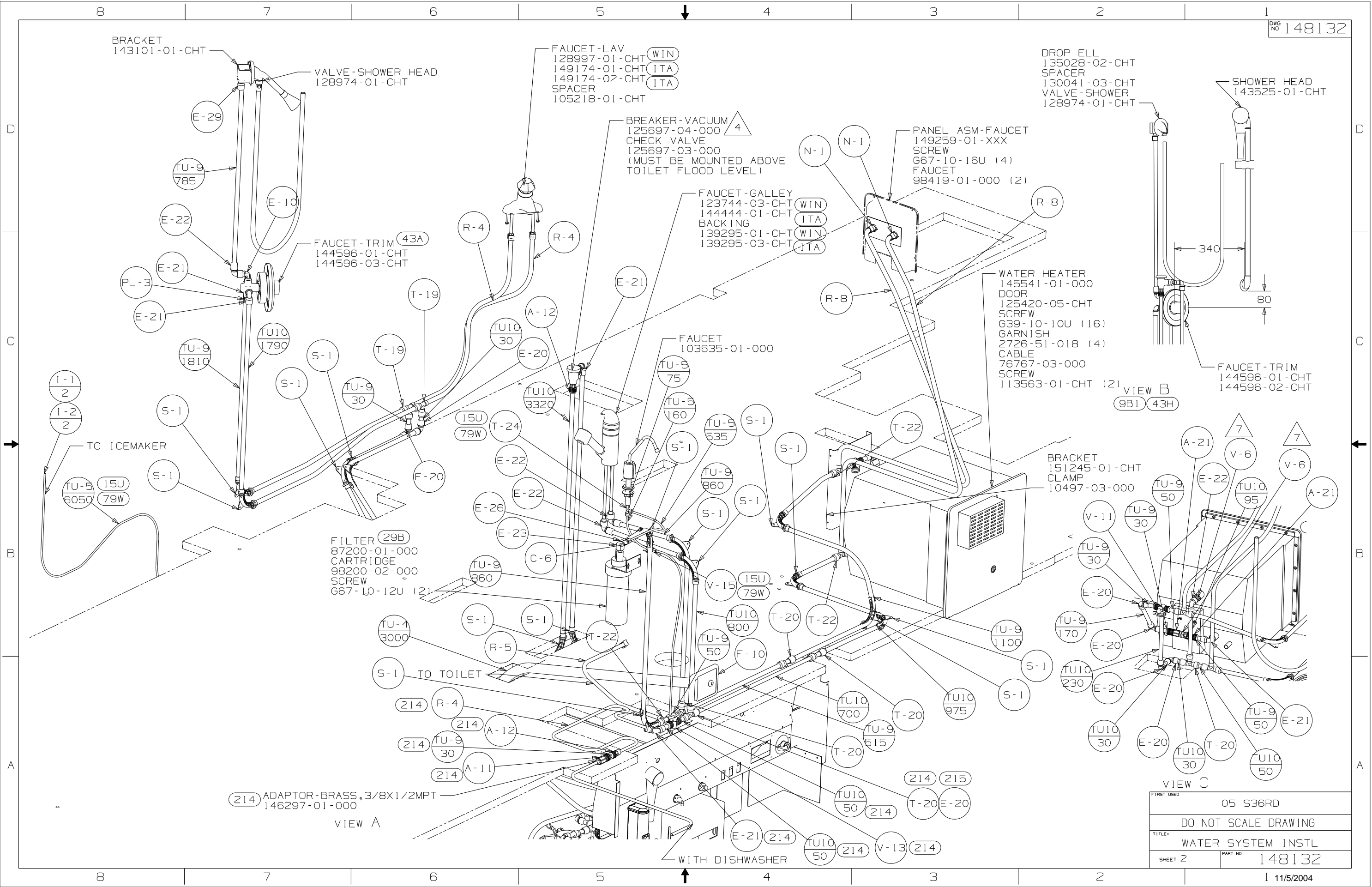
- 3. ALL TUBING TO BE SECURED AT 1200 INTERVALS MAXIMUM WITH CLAMP 10495-01-000 OR CLIP 91951-01-000 AND SCREW G67-10-12B.
- 2. TUBING TO BE INSTALLED WITH SUFFICIENT SLOPE TO PROVIDE DRAINAGE TO NEAREST VALVE.
- 1. PLASTIC FITTINGS TO BE SEALED WITH SEALANT 84456-01-000.

NOTES:

DRAIN CABLE FROM TANK RUNS ALONG LH RAIL AND THRU THE BACK OF THE DRAINAGE COMPARTMENT TO SLOT IN WATER CENTER PANEL. USE GROMMET 16188-04-000 IN HOLE OF DRAINAGE COMPARTMENT

WINNEBAGO		COPYRIGHT 2004 WINNEBAGO INDUSTRIES, INC.	
DFTR	ORIG. DATE	ALL DIMENSIONS ARE IN MILLIMETERS	
CHKR		IN MILLIMETERS	
P.E.		FIRST USED	
M.E.		05 S36RD	
DSNR			
UNSPECIFIED TOLERANCES ARE:		MATERIAL:	
WHOLE DIM (X)	: 7		
ONE-PLACE (X.X)	:		
TWO-PLACE (X.XX)	:		
ANGLE	:		
THIRD ANGLE PROJECTION			
DO NOT SCALE DRAWING			
TITLE: WATER SYSTEM INSTL			
SHEET 1 OF 4		PART NO 148132	

(X-X)
FOR WATER CALLOUTS SEE DWG NO 116230-01-000



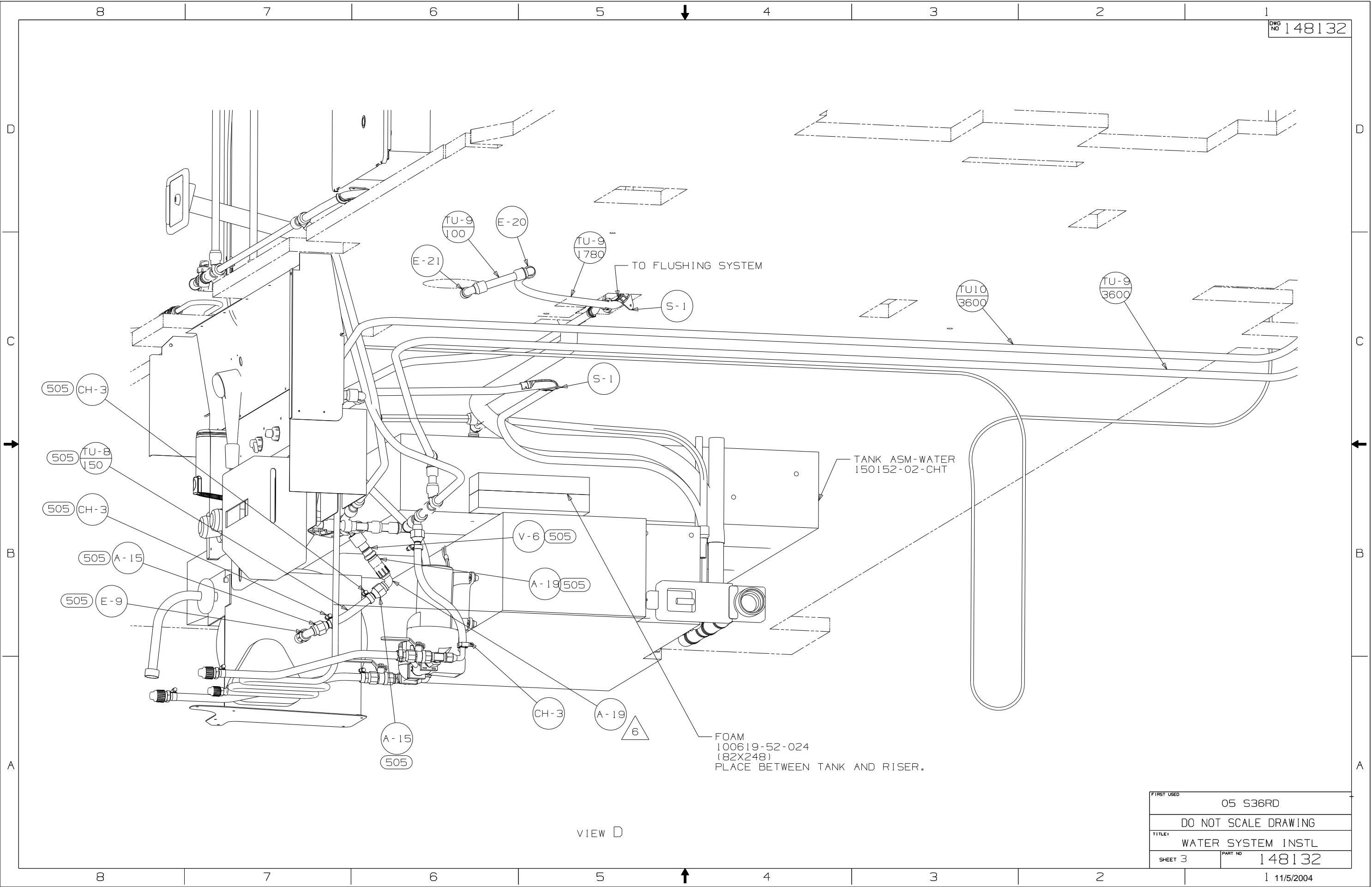
VIEW B
9B1 43H

VIEW C

214 ADAPTOR-BRASS, 3/8X1/2MPT
146297-01-000

VIEW A

FIRST USED	05 S36RD
TITLE	DO NOT SCALE DRAWING
TITLE	WATER SYSTEM INSTL
SHEET 2	PART NO 148132



VIEW D

FIRST USED	05 S36RD
TITLE	DO NOT SCALE DRAWING
SHEET 3	PART NO 148132
1 11/5/2004	

