



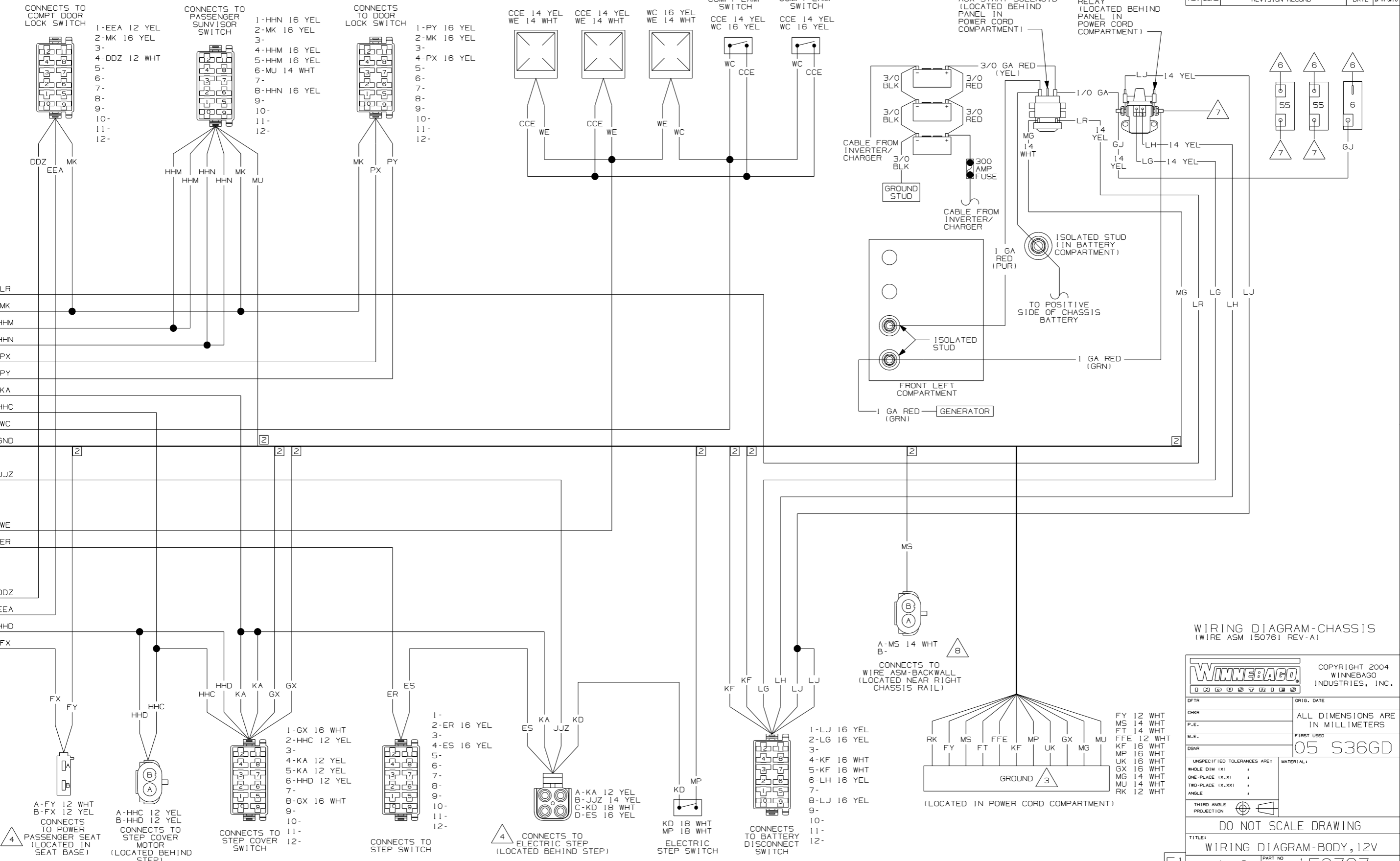
DANGER

Danger of electrical shock, burns or death. Always remove all power sources before attempting any repair, service or diagnostic work. Power can be present from shore power, generator, inverter or battery. All power sources must be disabled and secured before performing any service.



CAUTION

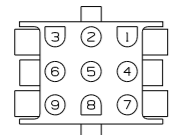
If you lack the skills, tools or equipment to perform diagnostic or repair work leave such work to an authorized Winnebago Industries dealer or other qualified shop.



D
C
B
A

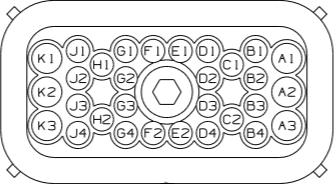
CONNECTS TO WIRE ASM-COACH (SHT 2, D-10) (LOCATED IN BED BASE)

- 1-DJ 16 YEL
- 2-DK 16 WHT
- 3-DL 16 YEL
- 4-DM 16 WHT
- 5-AAW 16 YEL
- 6-AAW 16 WHT
- 7-FFW 14 YEL
- 8-FFX 14 YEL
- 9-



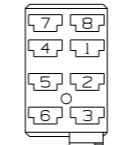
CONNECTS TO WIRE ASM-IP MAIN (LOCATED ON FRONT LEFT COMPT)

- A1-AAW 16 WHT
- A2-HHC 12 YEL
- A3-FS 14 YEL
- B1-BBM 16 YEL
- B2-BBN 16 YEL
- B3-CCY 16 YEL
- B4-KKK 16 YEL
- C1-DDA 16 YEL
- C2-HHM 16 YEL
- D1-LL 16 WHT



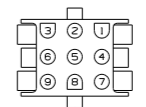
- D2-LM 16 WHT
- D3-LN 16 WHT
- D4-HU 16 YEL
- E1-MM 14 YEL
- E2-WC 16 YEL
- F1-MK 16 YEL
- F2-LR 14 YEL
- G1-DL 16 YEL
- G2-DM 16 WHT
- G3-DJ 16 YEL
- G4-DK 16 WHT
- H1-HHN 16 YEL
- H2-PX 16 YEL
- J1-PJ 16 YEL
- J2-JJZ 14 YEL
- J3-ER 16 YEL
- J4-PY 16 YEL
- K1-FFD 12 YEL
- K2-KA 12 YEL
- K3-AAW 16 YEL

CONNECTS TO REAR SLIDEOUT SWITCH



- 1-DDA 16 YEL
- 2-CCY 16 YEL
- 3-DDA 16 YEL
- 4-MMV 12 YEL
- 5-MMW 16 YEL
- 6-BBM 16 YEL
- 5-KKK 16 YEL
- 6-BBN 16 YEL
- 7-
- 8-

CONNECTS TO PASSENGER HEATER CONTROLS



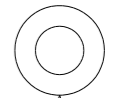
- 1-MMS 12 YEL
- 2-MMT 12 YEL
- 3-MMU 12 YEL
- 4-MMV 12 YEL
- 5-MMW 16 YEL
- 6-MMX 16 WHT
- 7-MMY 16 WHT
- 8-NNL 16 YEL
- 9-NNM 16 YEL

CONNECTS TO ENTRANCE DOOR PAD



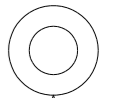
- 1-MK 14 YEL
- 2-MU 14 WHT
- 3-NNK 16 YEL
- 4-

LEFT SIDE DOCKING LAMP

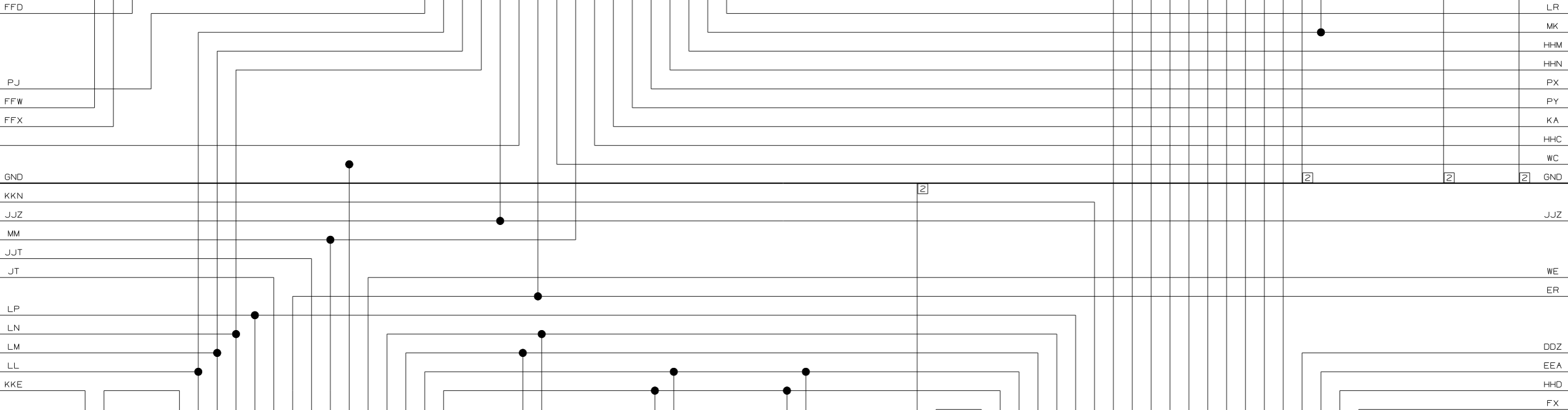


- FS 14 YEL
- FT 14 WHT

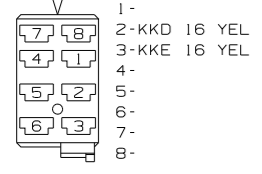
RIGHT SIDE DOCKING LAMP



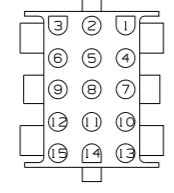
- FS 14 YEL
- FT 14 WHT



CONNECTS TO LP VALVE SWITCH

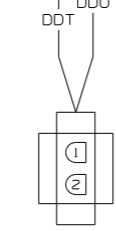


- 1-2-KKD 16 YEL
- 3-KKE 16 YEL
- 4-
- 5-
- 6-
- 7-
- 8-



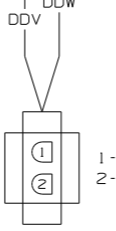
CONNECTS TO WIRE ASM-COACH (SHT 2, A-17) (LOCATED IN BED BASE)

- 1-KKD 16 YEL
- 2-LL 16 WHT
- 3-LM 16 WHT
- 4-LN 16 WHT
- 5-LP 16 YEL
- 6-MM 14 YEL
- 7-ER 16 YEL
- 8-JT 16 YEL
- 9-WC 16 YEL
- 10-WE 14 WHT
- 11-DDT 12 YEL
- 12-DDU 12 WHT
- 13-DDV 12 YEL
- 14-DDW 12 WHT
- 15-JJT 14 YEL



CONNECTS TO WIRE ASM-LOCK, COMPT DOORS (SHT 5, A-8) (LOCATED ON COMPT DOOR)

- 1-DDT 12 YEL
- 2-DDU 12 WHT



CONNECTS TO WIRE ASM-LOCK, COMPT DOORS (SHT 5, A-8) (LOCATED ON COMPT DOOR)

- 1-DDV 12 YEL
- 2-DDW 12 WHT

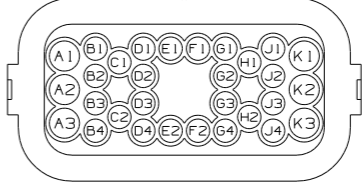


CONNECTS TO WIRE ASM-LOCK, COMPT DOORS (SHT 5, A-8) (LOCATED ON COMPT DOOR)

- 1-DDV 12 YEL
- 2-DDW 12 WHT

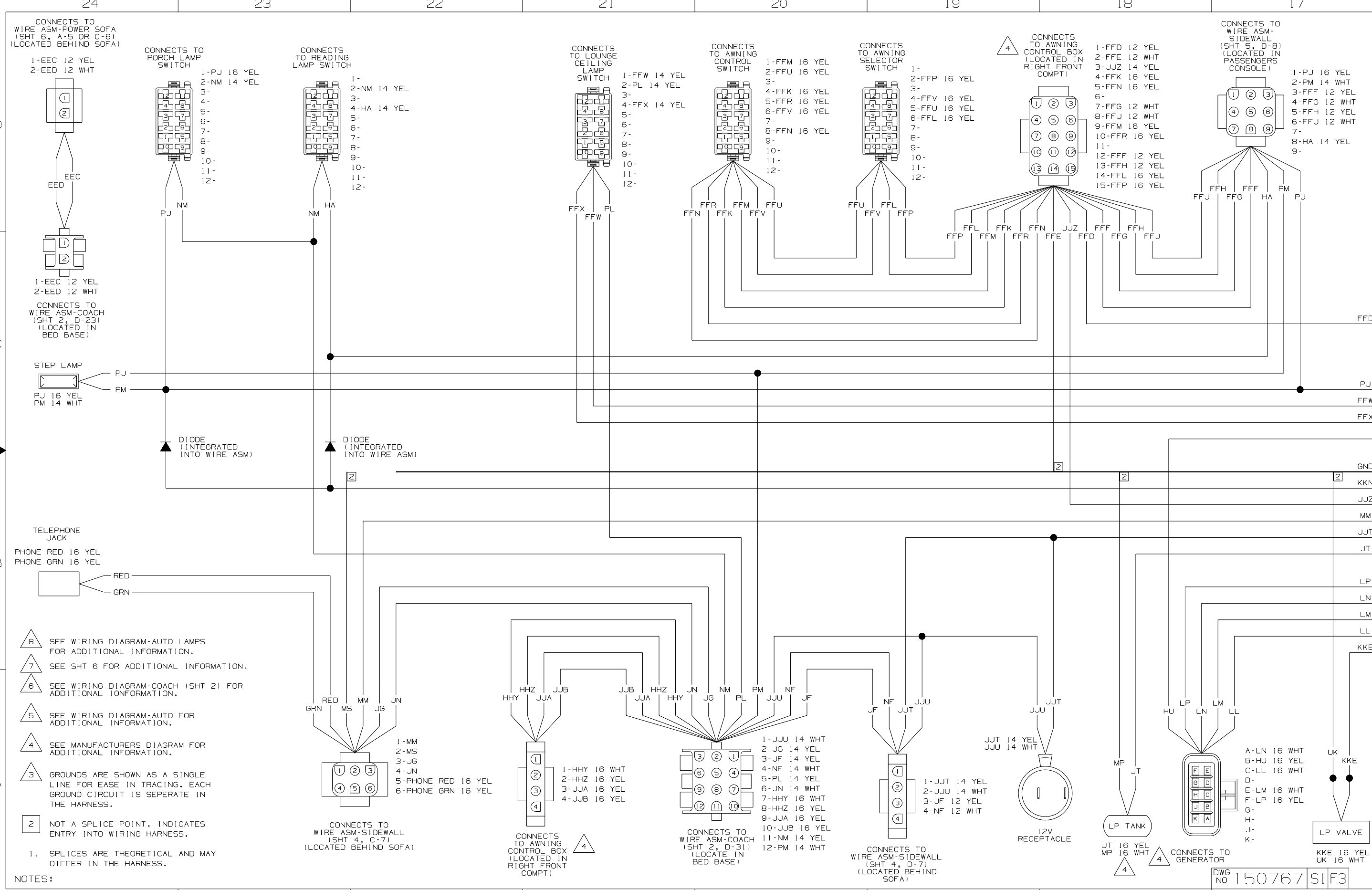


CONNECTS TO COOLING FAN

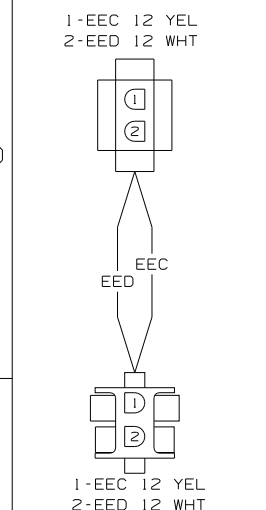


CONNECTS TO WIRE ASM-IP MAIN (LOCATED ON FRONT LEFT COMPT)

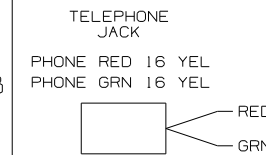
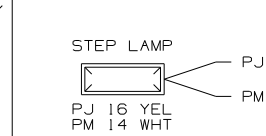
- A1-DDT 12 YEL
- A2-DDU 12 WHT
- A3-DDV 12 YEL
- B1-
- B2-
- B3-
- B4-RE 12 YEL
- C1-DDZ 12 YEL
- C2-EEA 12 WHT
- D1-MMS 12 YEL
- D2-MMT 12 YEL
- D3-MMU 12 YEL
- D4-MMN 12 YEL
- E1-NNK 16 YEL
- E2-
- F1-MMW 16 YEL
- F2-MMX 16 WHT
- G1-MMY 16 WHT
- G2-NNL 16 YEL
- H1-LP 16 YEL
- H2-NM 16 YEL
- J1-
- J2-
- J3-
- J4-KKN 16 YEL
- K1-DDW 12 WHT
- K2-HHD 12 YEL
- K3-FX 12 YEL



CONNECTS TO WIRE ASM-POWER SOFA (SHT 6, A-5 OR C-6) (LOCATED BEHIND SOFA)

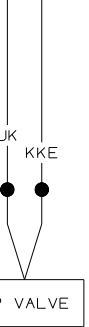
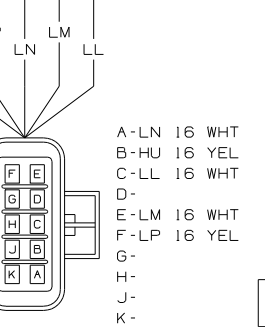
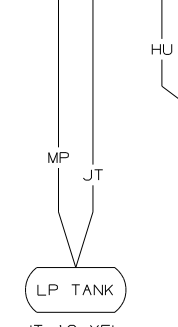
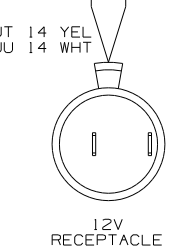
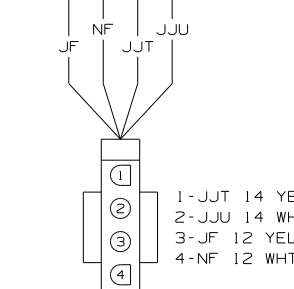
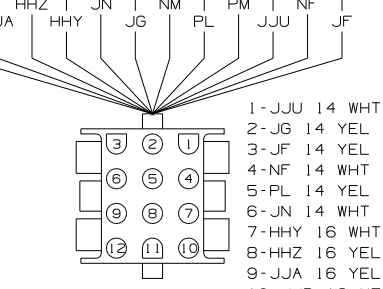
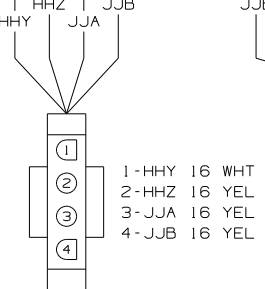
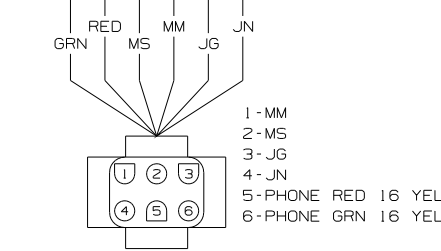
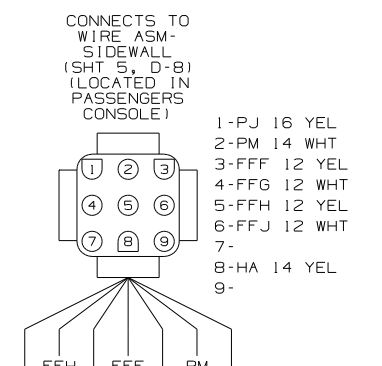
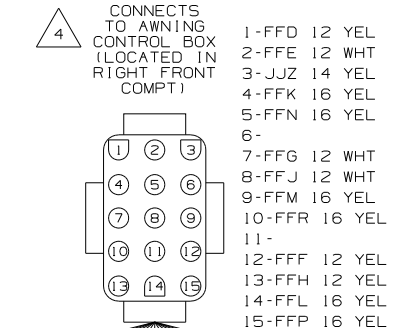
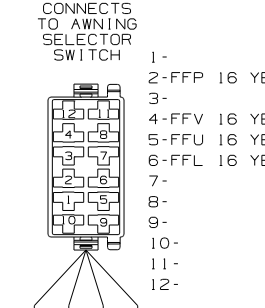
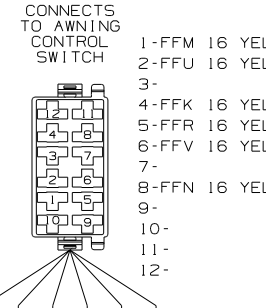
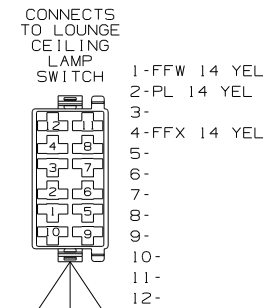
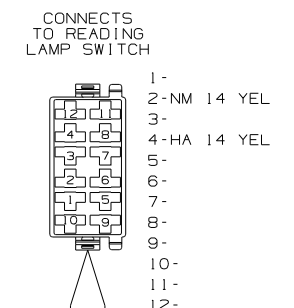
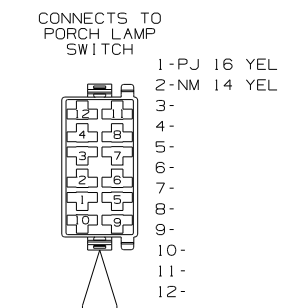


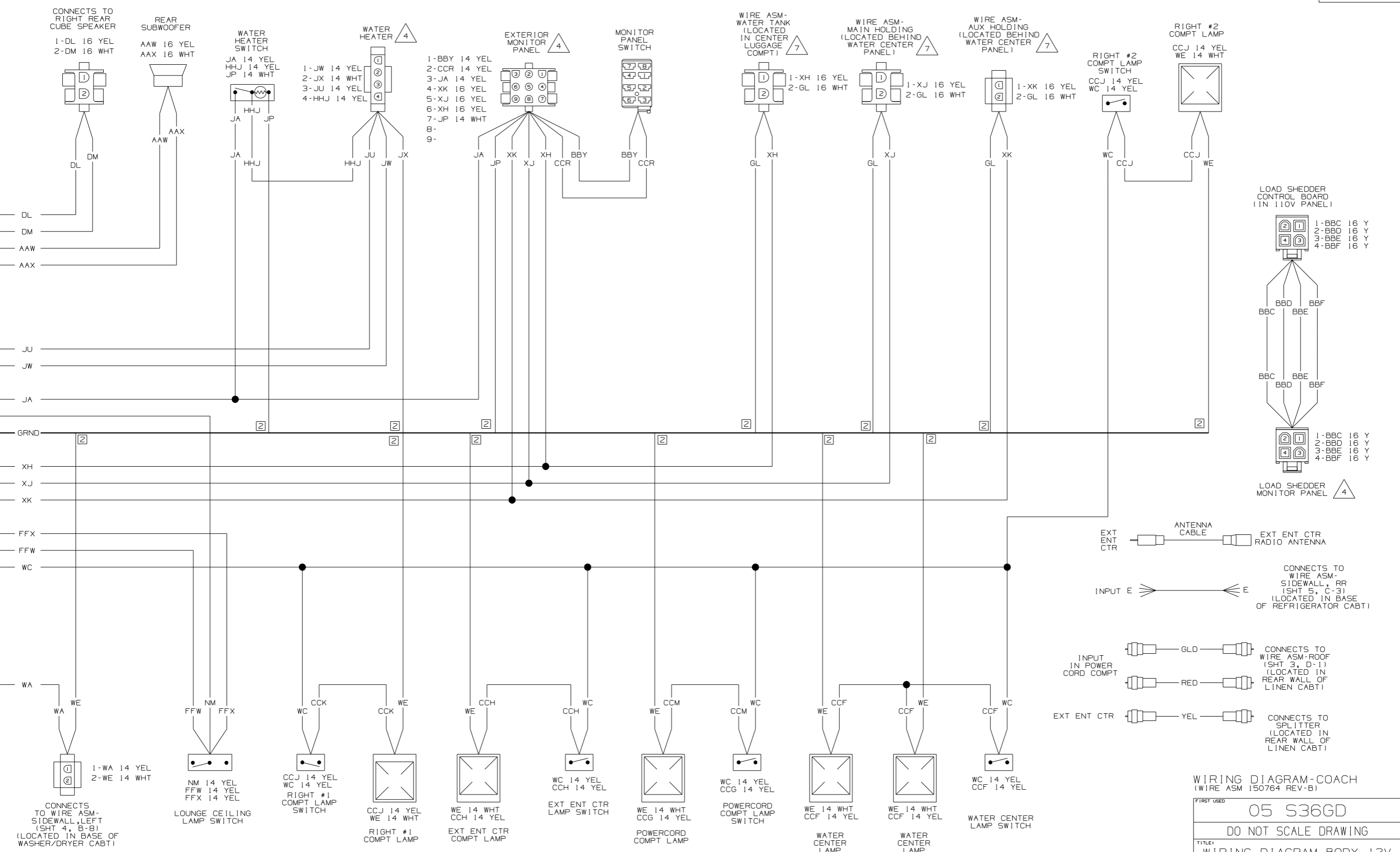
CONNECTS TO WIRE ASM-COACH (SHT 2, D-23) (LOCATED IN BED BASE)



- 8 SEE WIRING DIAGRAM-AUTO LAMPS FOR ADDITIONAL INFORMATION.
- 7 SEE SHT 6 FOR ADDITIONAL INFORMATION.
- 6 SEE WIRING DIAGRAM-COACH (SHT 2) FOR ADDITIONAL INFORMATION.
- 5 SEE WIRING DIAGRAM-AUTO FOR ADDITIONAL INFORMATION.
- 4 SEE MANUFACTURERS DIAGRAM FOR ADDITIONAL INFORMATION.
- 3 GROUNDS ARE SHOWN AS A SINGLE LINE FOR EASE IN TRACING. EACH GROUND CIRCUIT IS SEPERATE IN THE HARNESS.
- 2 NOT A SPLICE POINT. INDICATES ENTRY INTO WIRING HARNESS.
1. SPLICES ARE THEORETICAL AND MAY DIFFER IN THE HARNESS.

NOTES:





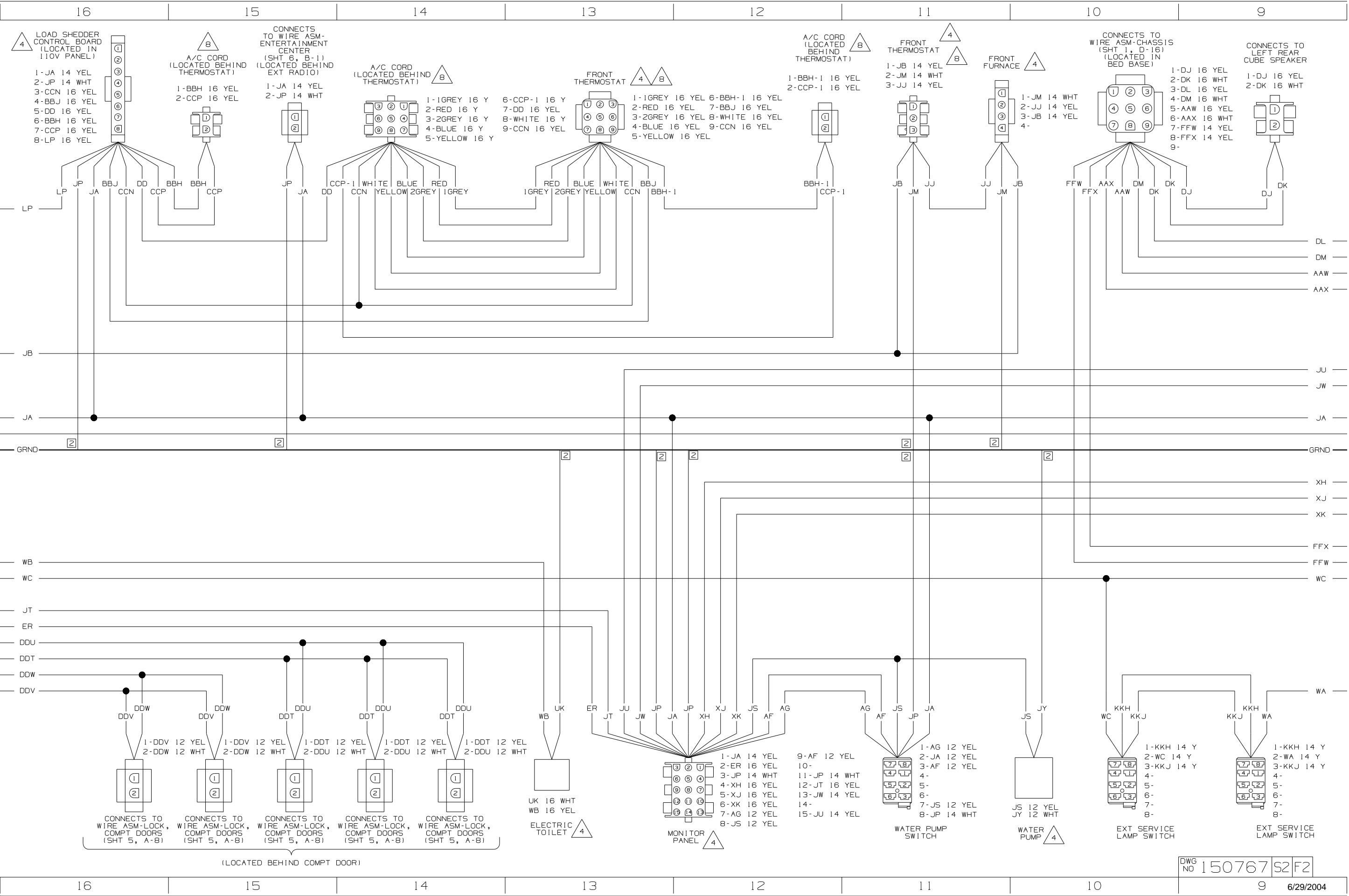
WIRING DIAGRAM-COACH (WIRE ASM 150764 REV-B)

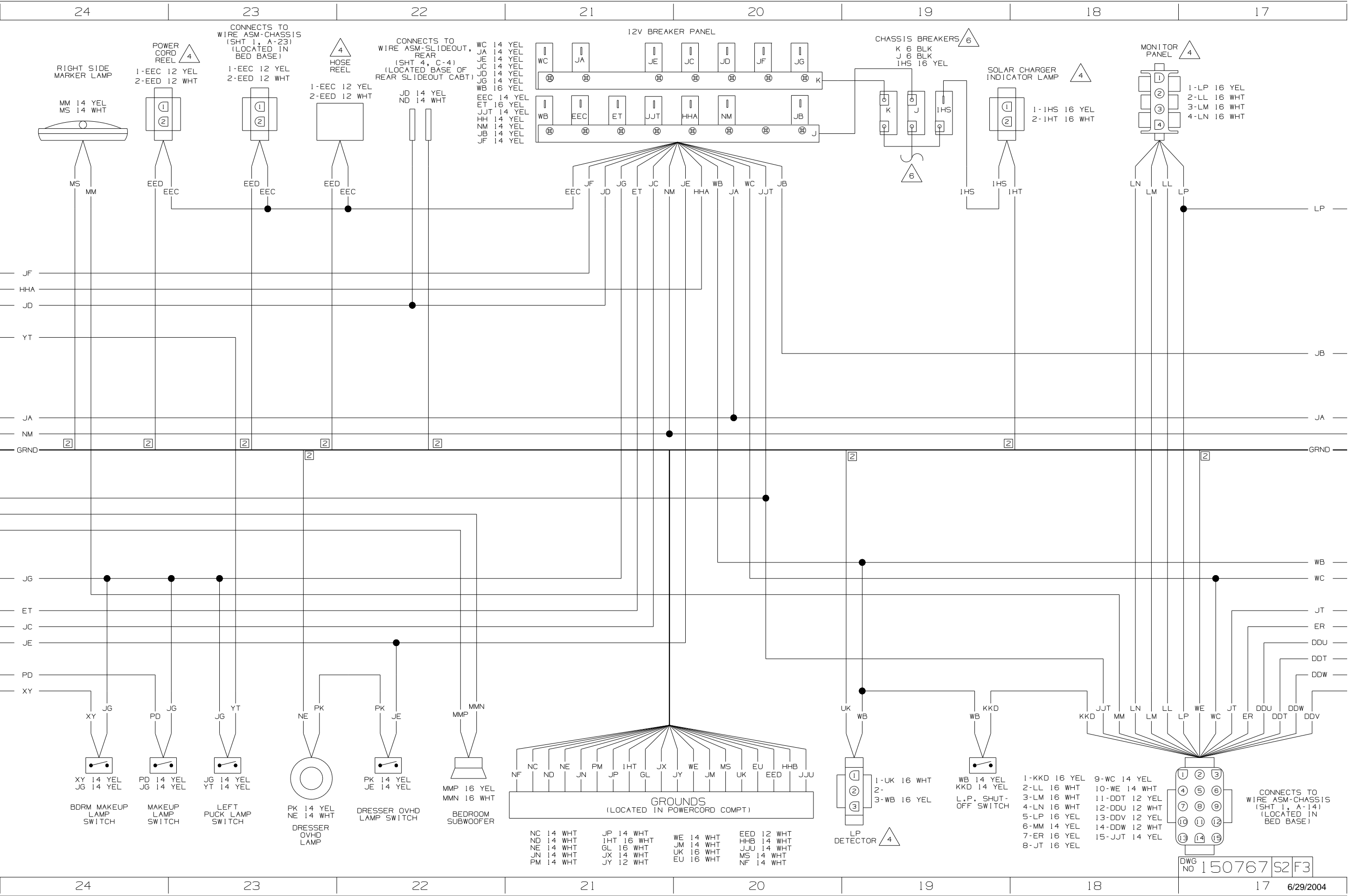
FIRST USED 05 S36GD

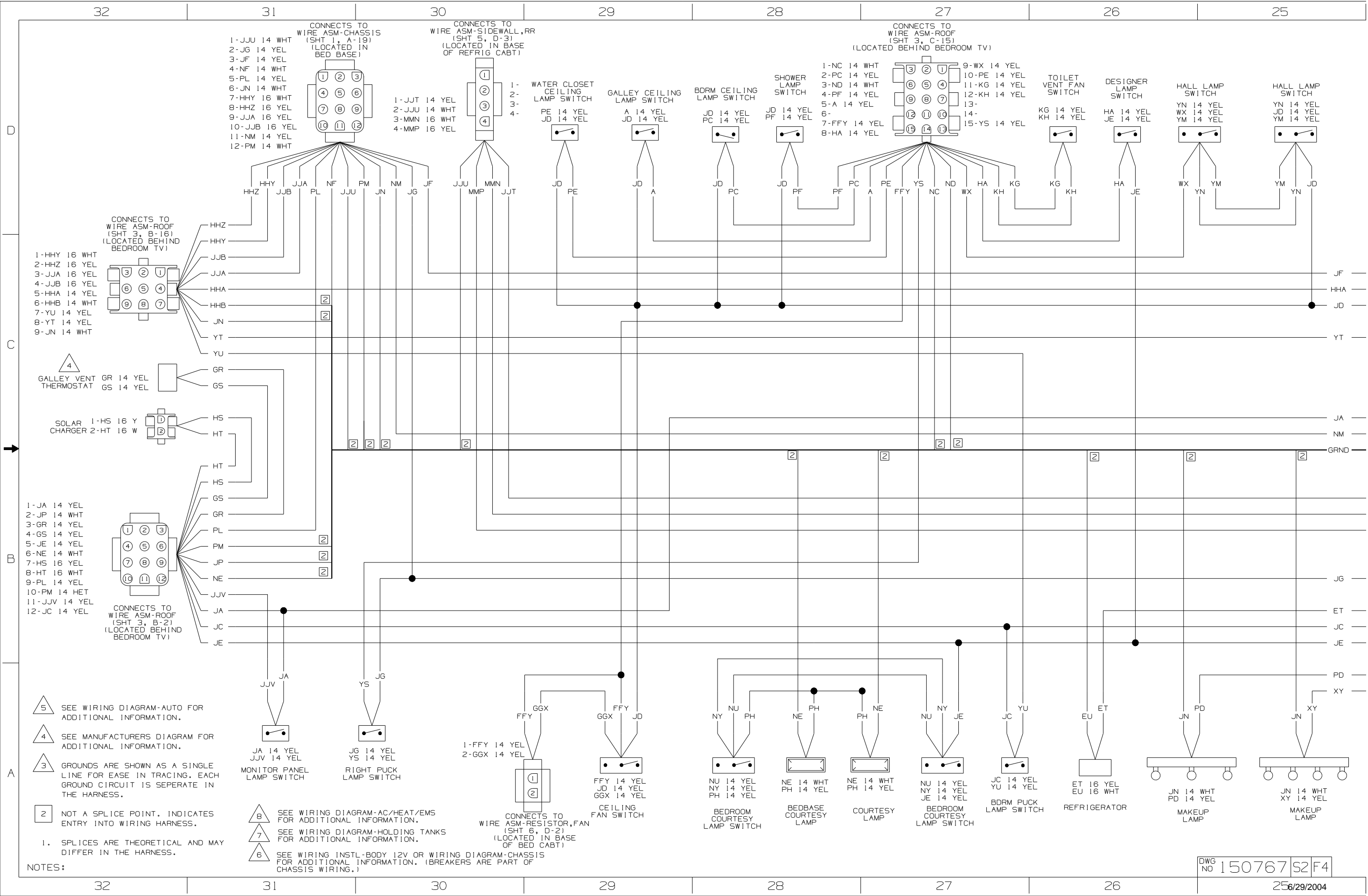
DO NOT SCALE DRAWING

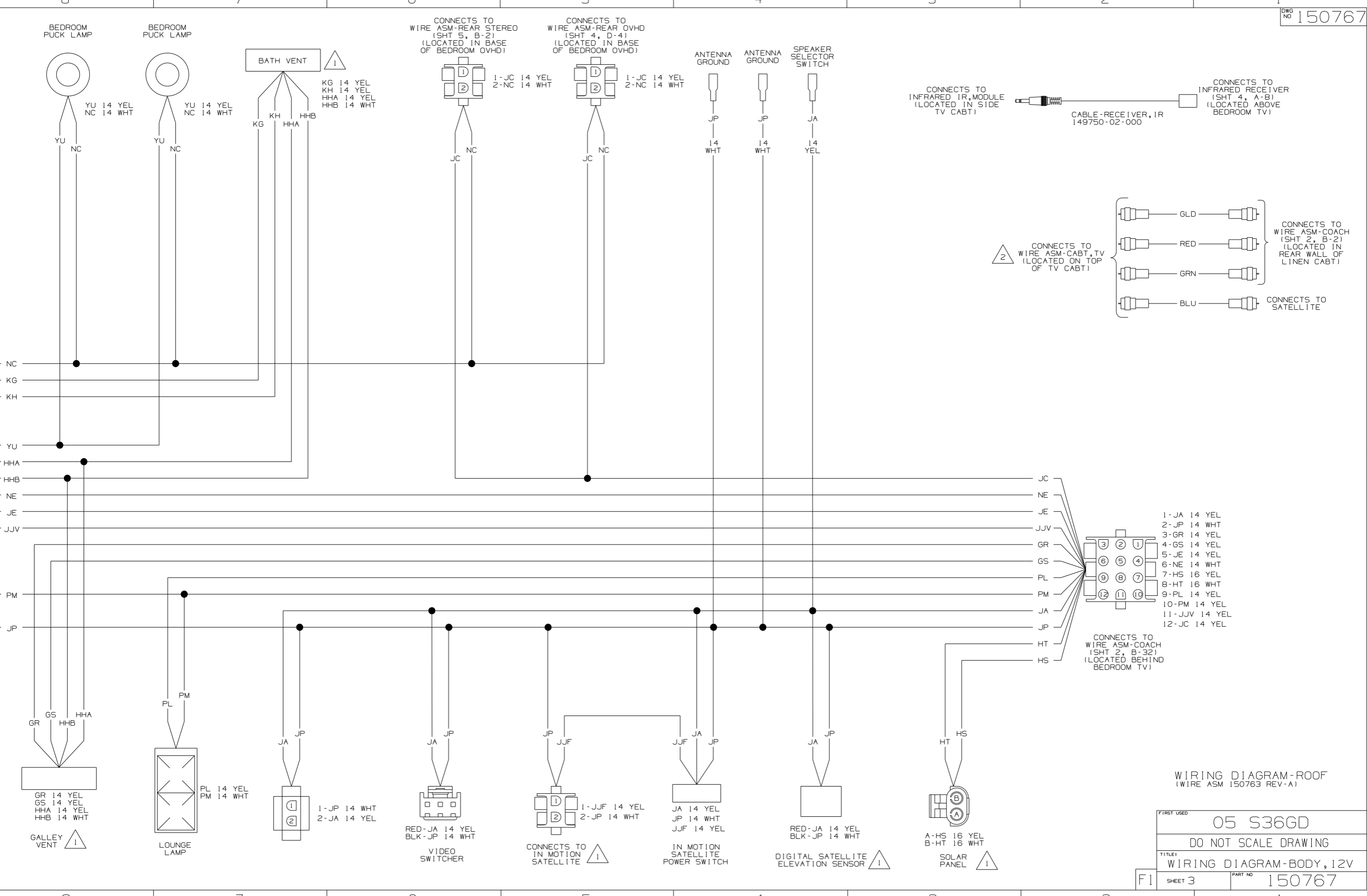
TITLE: WIRING DIAGRAM-BODY, 12V

SHEET 2 PART NO 150767



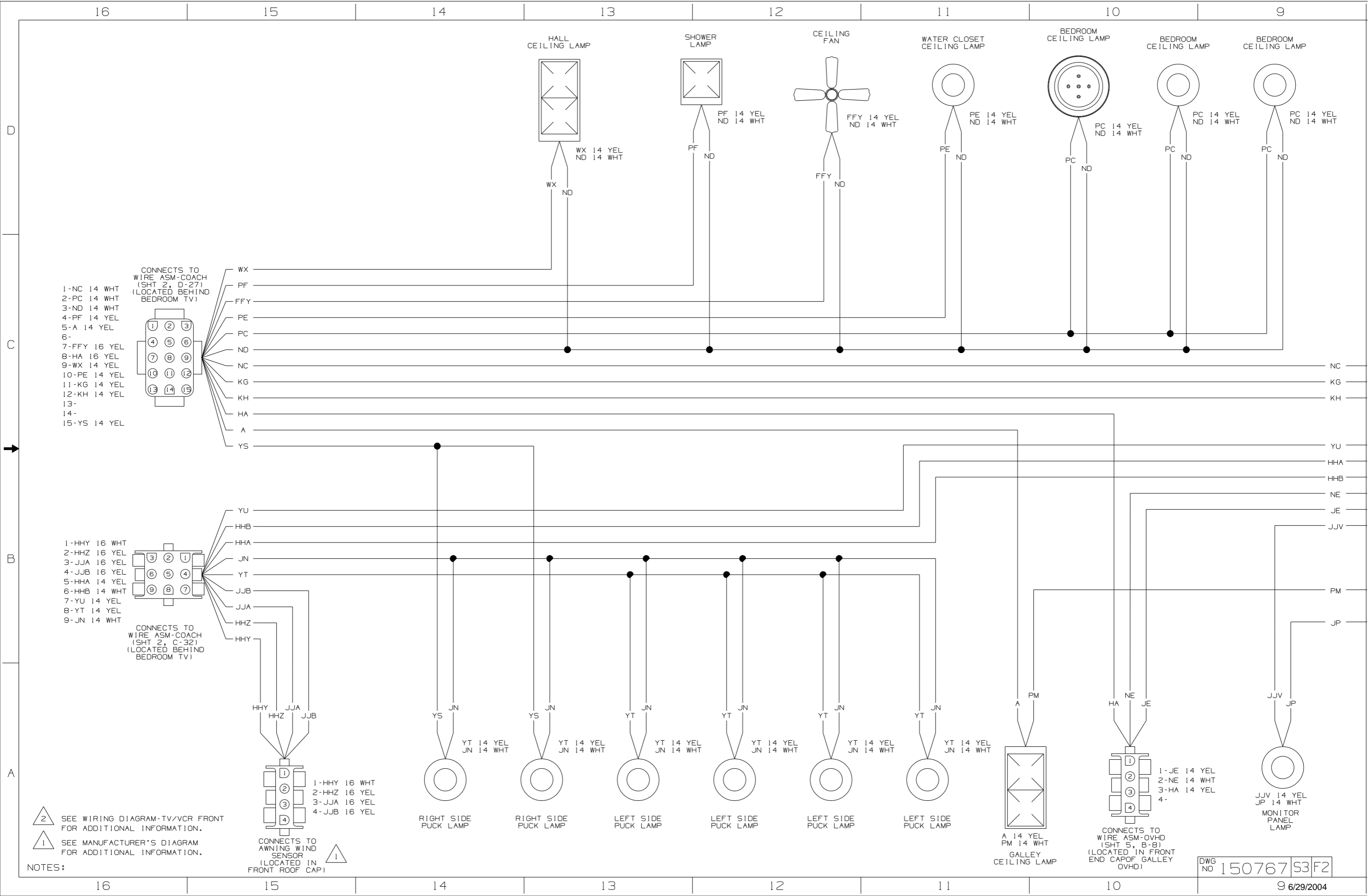






WIRING DIAGRAM-ROOF (WIRE ASM 150763 REV-A)

FIRST USED	05 S36GD	
TITLE	DO NOT SCALE DRAWING	
	WIRING DIAGRAM-BODY, 12V	
SHEET 3	PART NO	150767



- CONNECTS TO WIRE ASM-COACH (SHT 2, D-27) (LOCATED BEHIND BEDROOM TV)
- 1-NC 14 WHT
 - 2-PC 14 WHT
 - 3-ND 14 WHT
 - 4-PF 14 YEL
 - 5-A 14 YEL
 - 6-
 - 7-FFY 16 YEL
 - 8-HA 16 YEL
 - 9-WX 14 YEL
 - 10-PE 14 YEL
 - 11-KG 14 YEL
 - 12-KH 14 YEL
 - 13-
 - 14-
 - 15-YS 14 YEL

- CONNECTS TO WIRE ASM-COACH (SHT 2, C-32) (LOCATED BEHIND BEDROOM TV)
- 1-HHY 16 WHT
 - 2-HHZ 16 YEL
 - 3-JJA 16 YEL
 - 4-JJB 16 YEL
 - 5-HHA 14 YEL
 - 6-HHB 14 WHT
 - 7-YU 14 YEL
 - 8-YT 14 YEL
 - 9-JN 14 WHT

- 1-HHY 16 WHT
- 2-HHZ 16 YEL
- 3-JJA 16 YEL
- 4-JJB 16 YEL

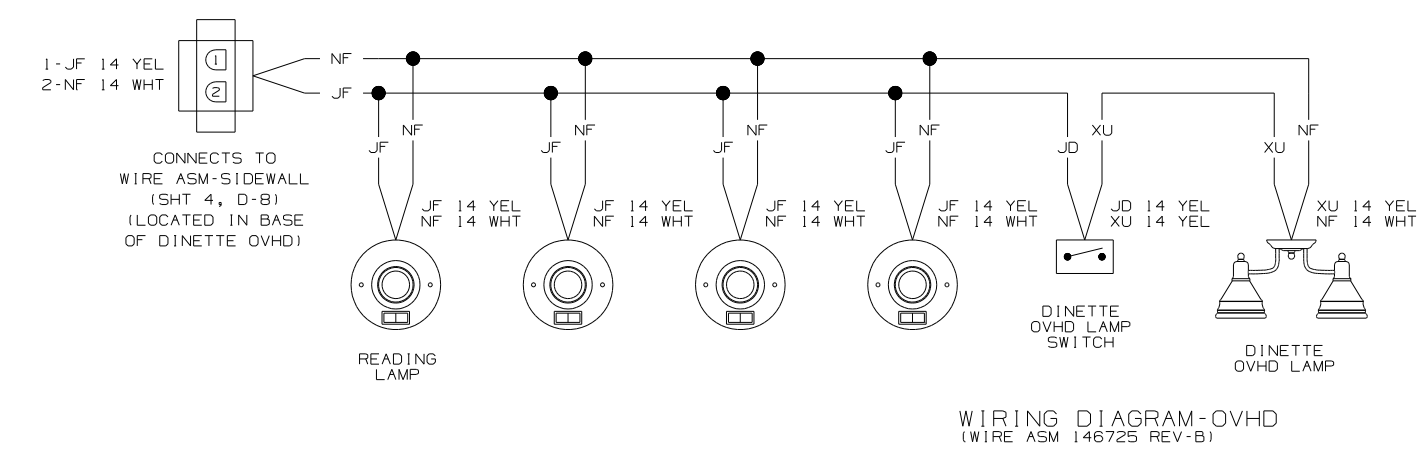
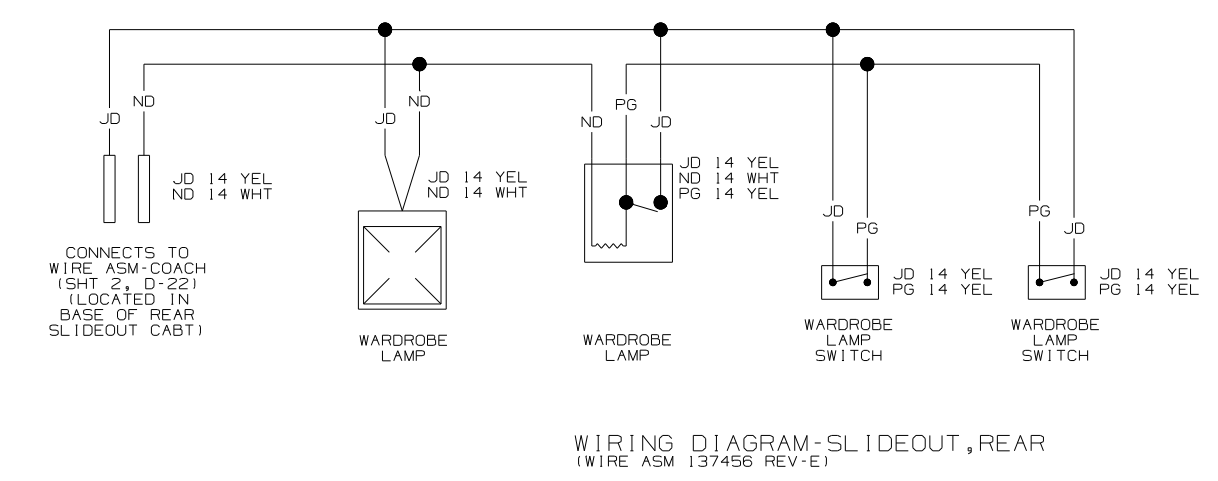
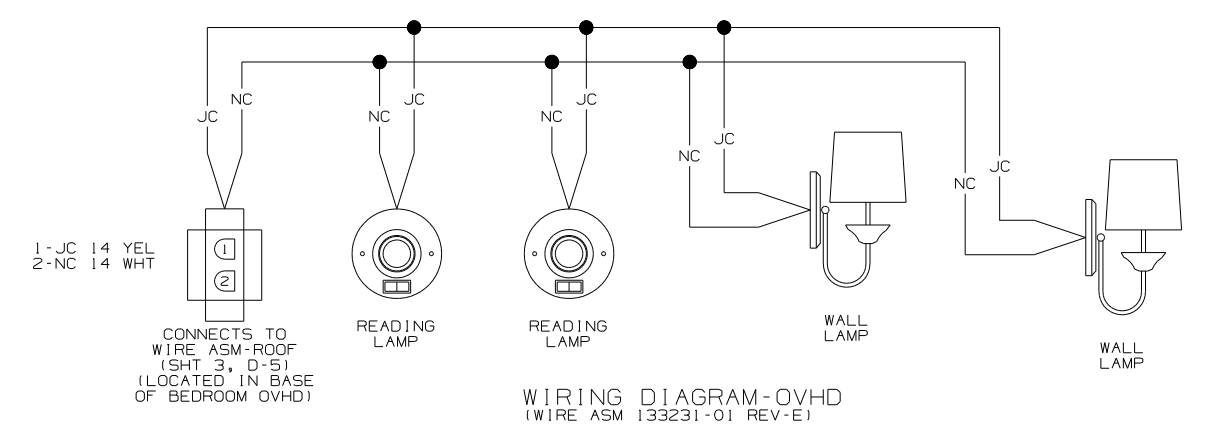
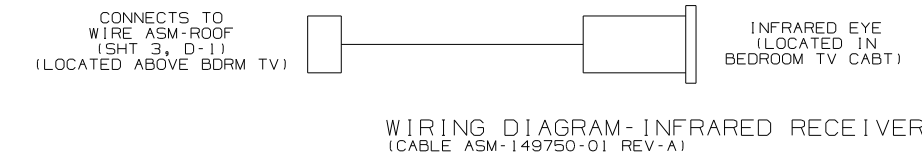
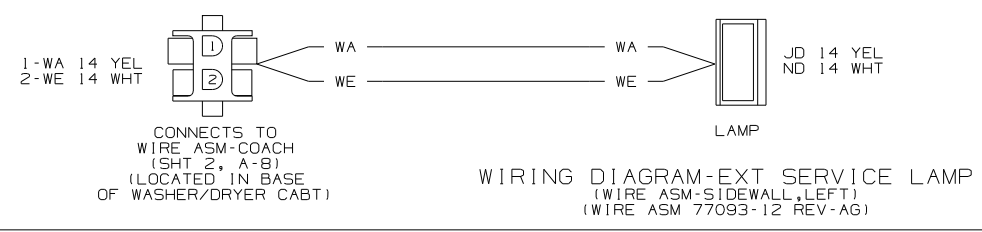
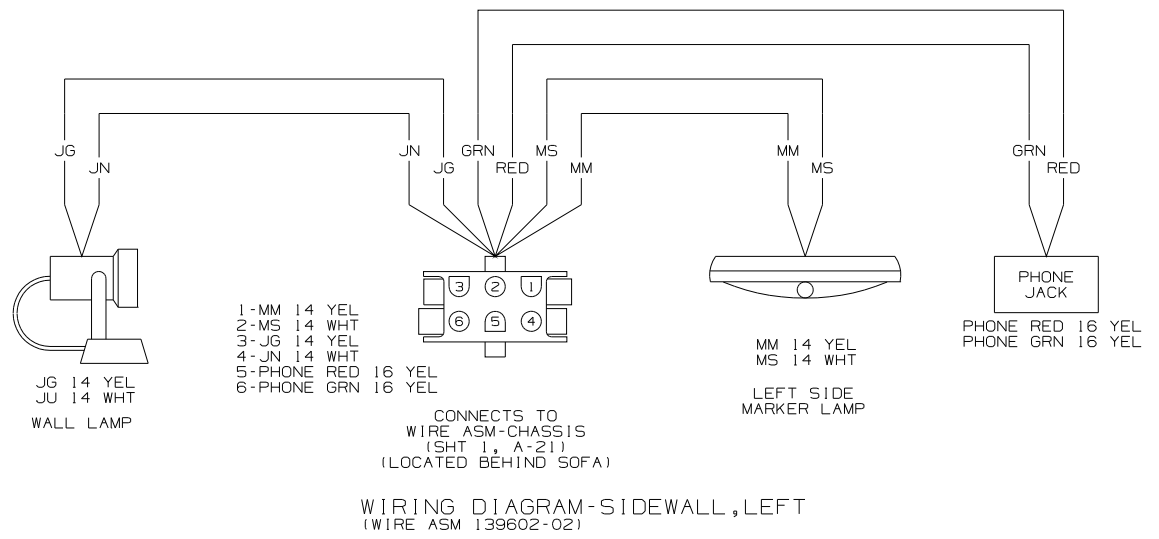
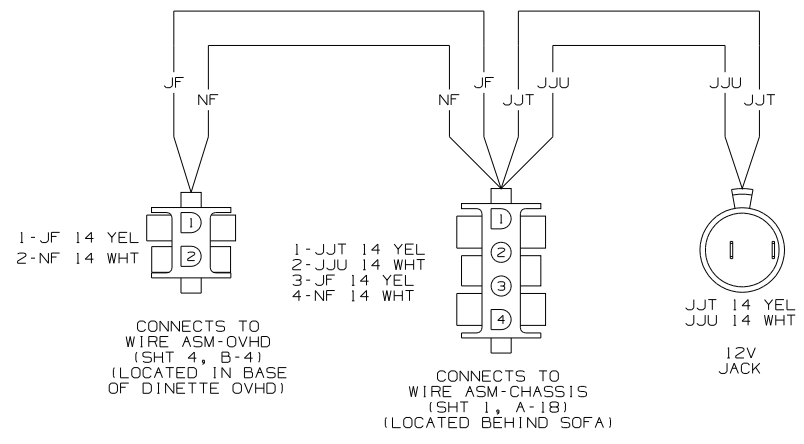
- 1-JE 14 YEL
- 2-NE 14 WHT
- 3-HA 14 YEL
- 4-

NOTES:

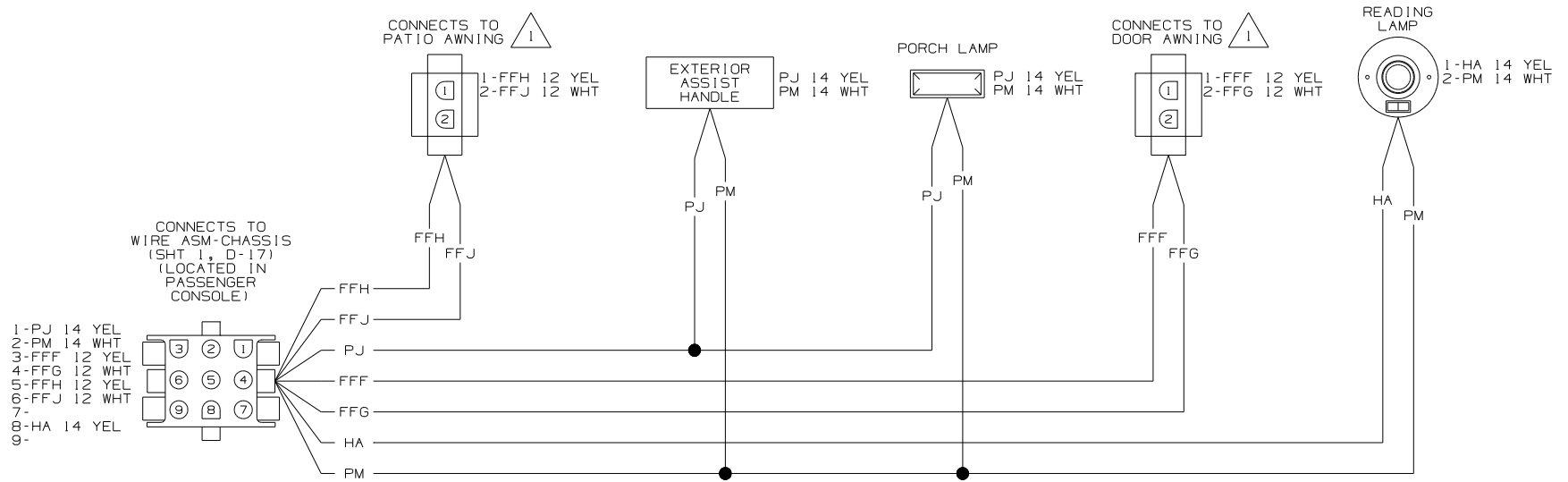
2 SEE WIRING DIAGRAM-TV/VCR FRONT FOR ADDITIONAL INFORMATION.

1 SEE MANUFACTURER'S DIAGRAM FOR ADDITIONAL INFORMATION.

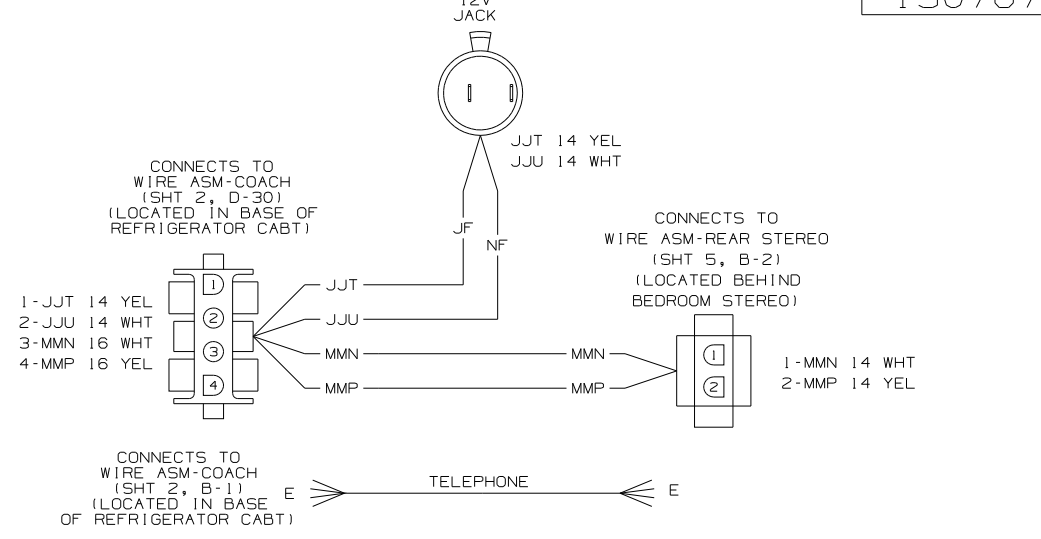
CONNECTS TO AWNING WIND SENSOR (LOCATED IN FRONT ROOF CAP)



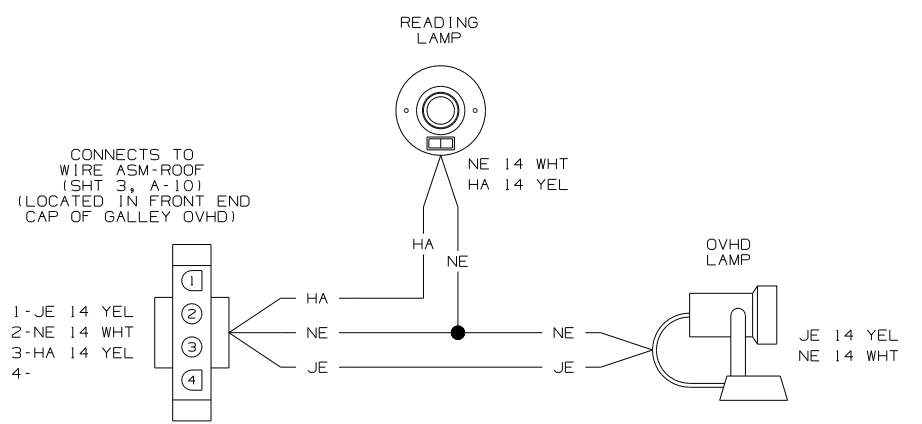
FIRST USED	05 S36GD
TITLE	DO NOT SCALE DRAWING
TITLE	WIRING DIAGRAM-BODY, 12V
SHEET 4	PART NO 150767
1 6/29/2004	



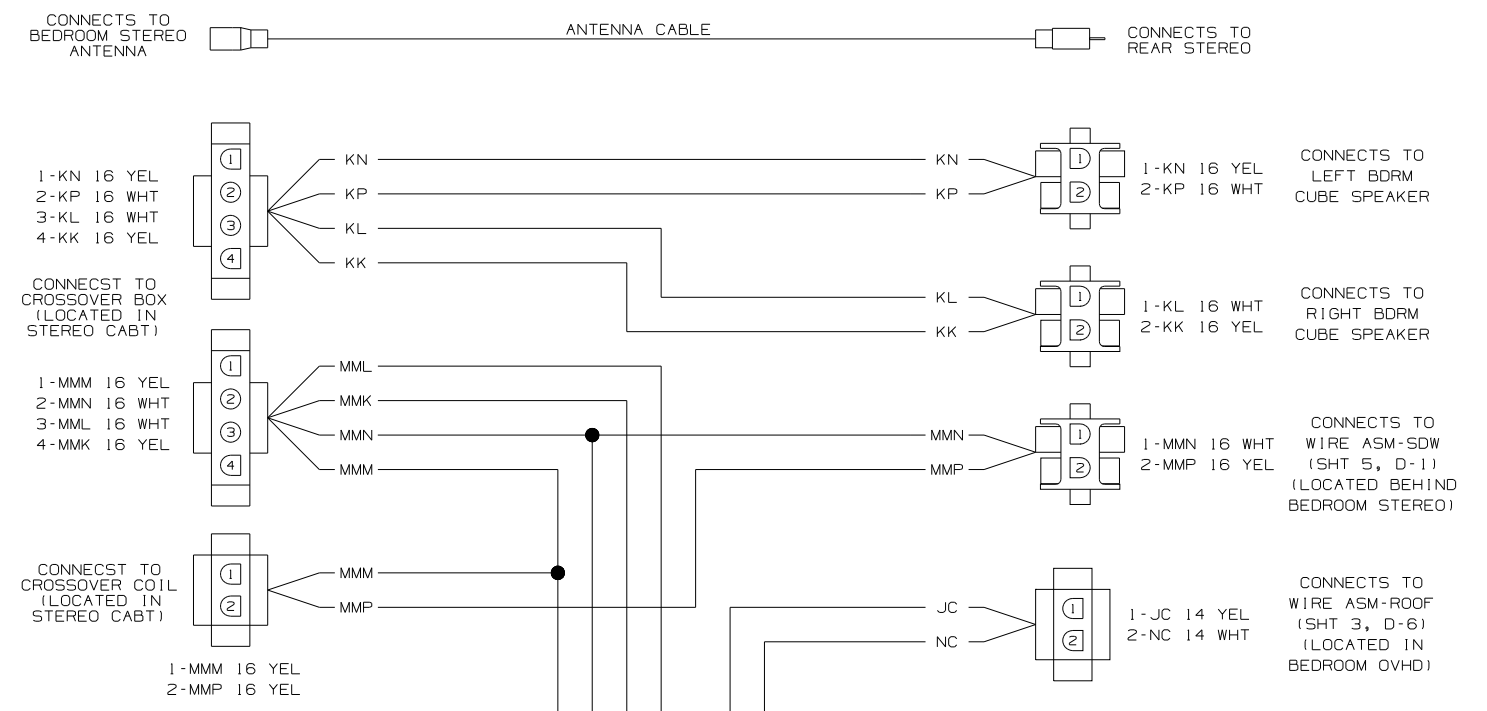
WIRING DIAGRAM SIDEWALL
(WIRE ASM 145649 REV-C)



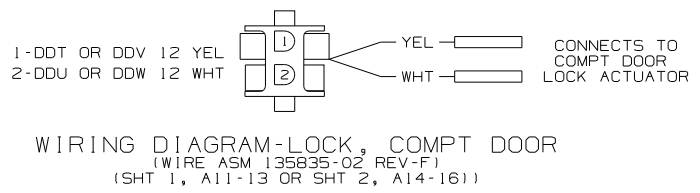
WIRING DIAGRAM SIDEWALL, RR
(WIRE ASM 150829 REV-B)



WIRING DIAGRAM-OVHD
(WIRE ASM 145649-02 REV-B)



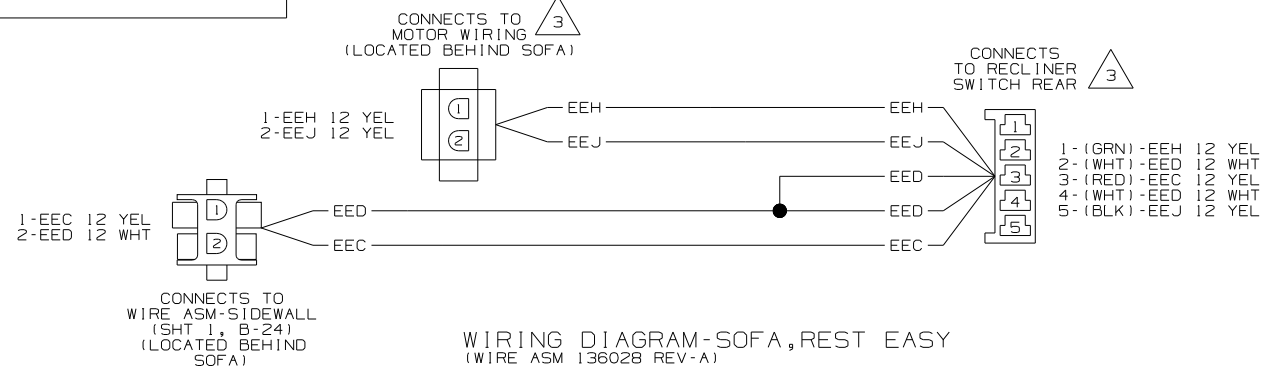
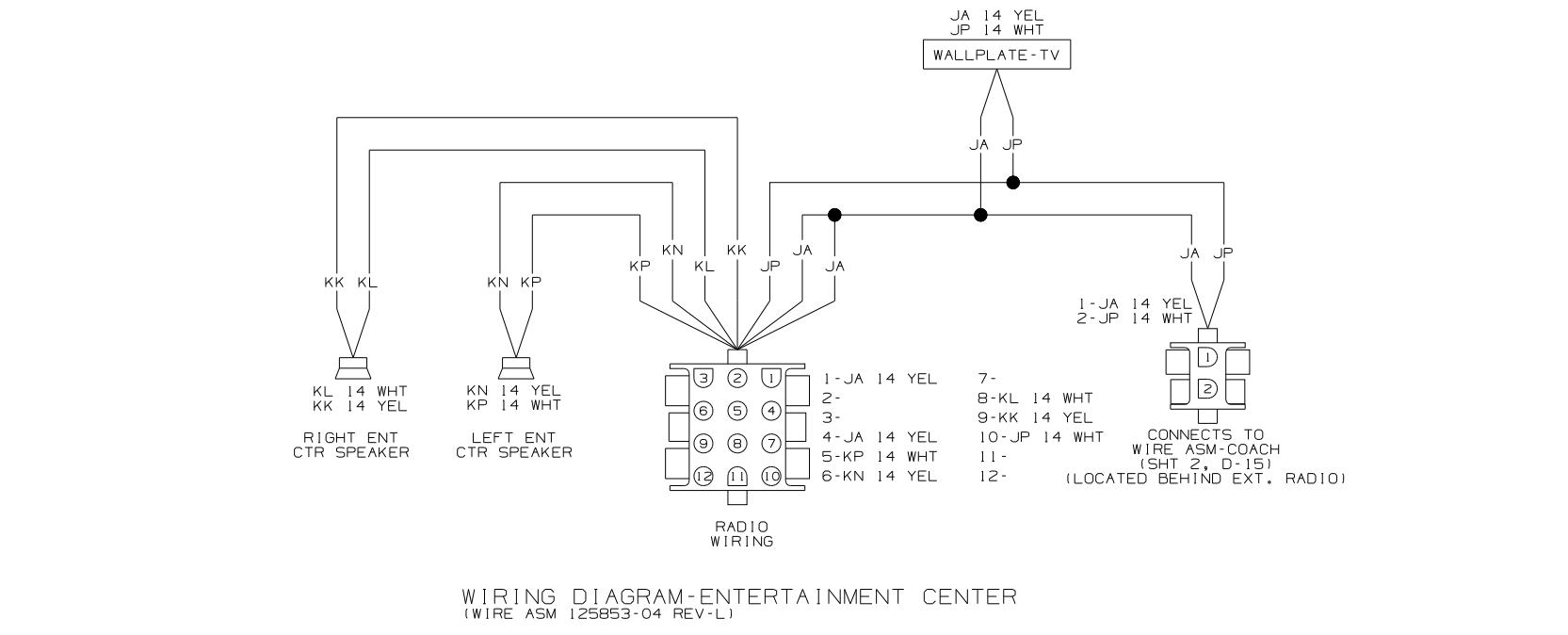
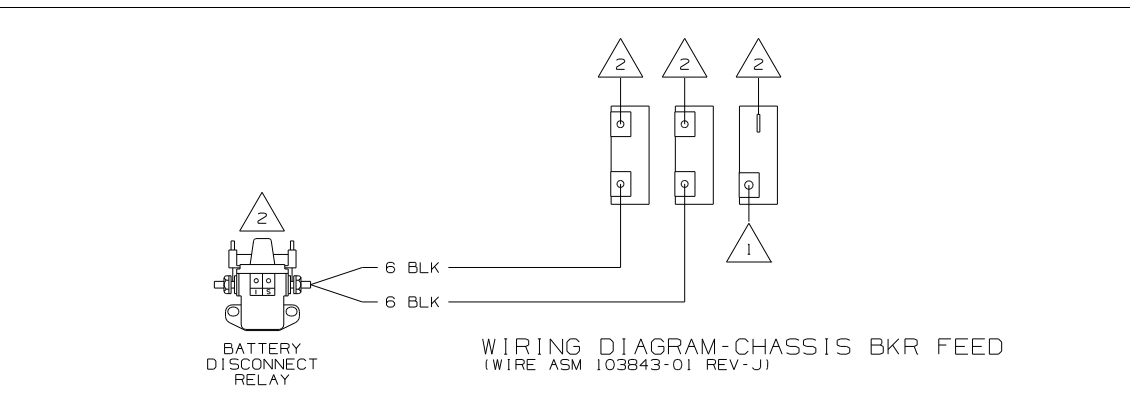
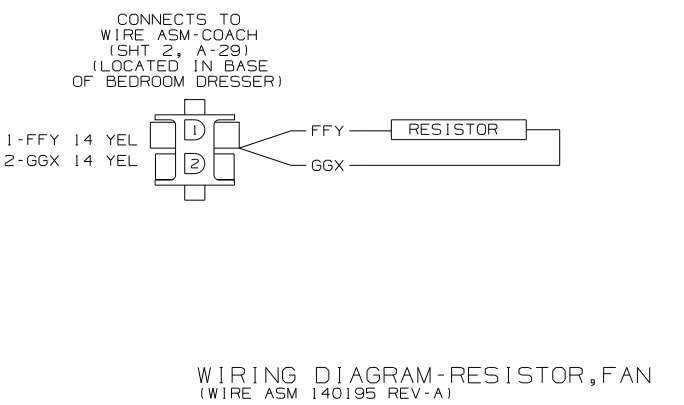
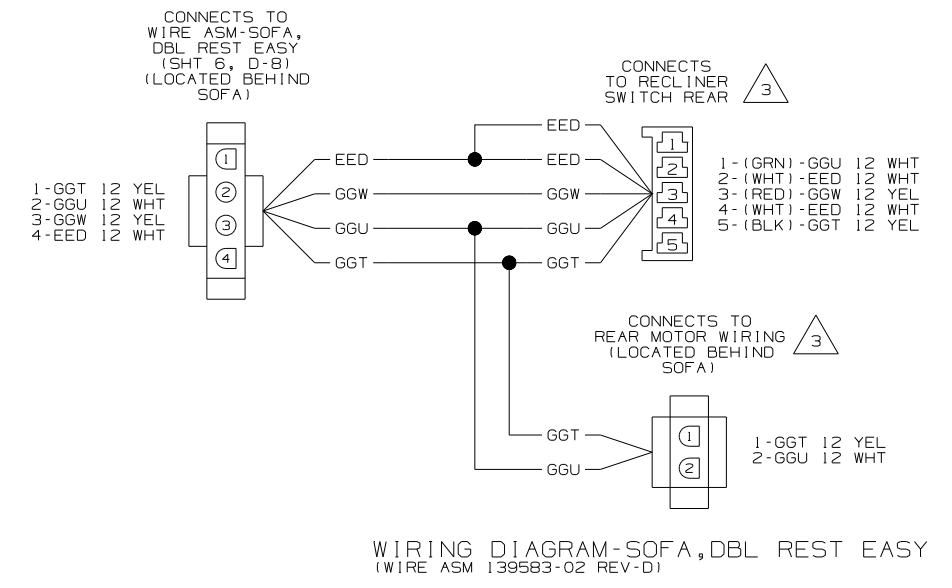
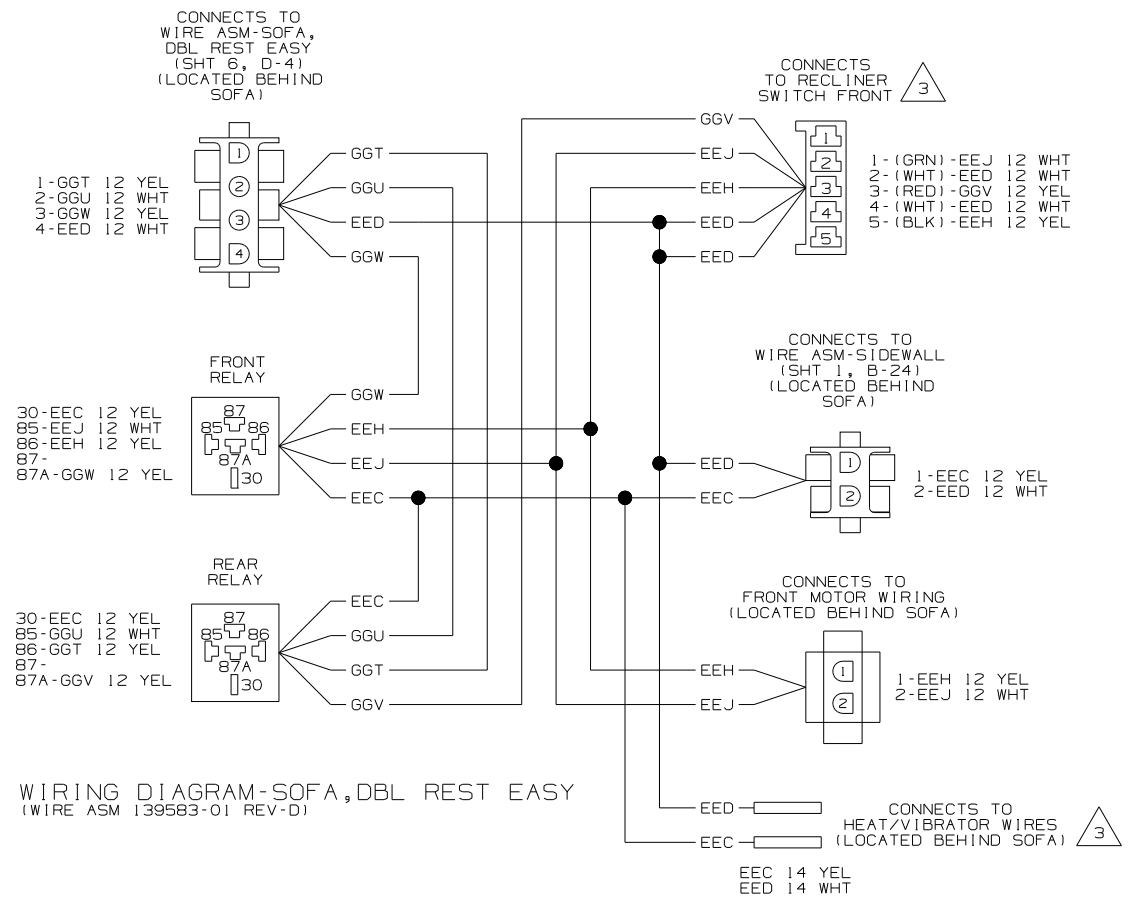
WIRING DIAGRAM-REAR STEREO
(WIRE ASM 150828 REV-A)



WIRING DIAGRAM-LOCK, COMPT DOOR
(WIRE ASM 135835-02 REV-F)
(SHT 1, A11-13 OR SHT 2, A14-16)

NOTES: SEE MANUFACTURERS DIAGRAM FOR ADDITIONAL INFORMATION.

FIRST USED	05 S36GD
TITLE	DO NOT SCALE DRAWING
TITLE	WIRING DIAGRAM-BODY, 12V
SHEET 5	PART NO 150767



NOTES:

3 SEE MANUFACTURERS DIAGRAM FOR ADDITIONAL INFORMATION.

2 SEE SHT 2 FOR ADDITIONAL INFORMATION.

1 SEE SHT 1 FOR ADDITIONAL INFORMATION.

FIRST USED	05 S40AD
TITLE	DO NOT SCALE DRAWING
TITLE	WIRING DIAGRAM-BODY, 12V
SHEET 6	PART NO 150767