



**DANGER**

**Danger of electrical shock, burns or death.** Always remove all power sources before attempting any repair, service or diagnostic work. Power can be present from shore power, generator, inverter or battery. All power sources must be disabled and secured before performing any service.

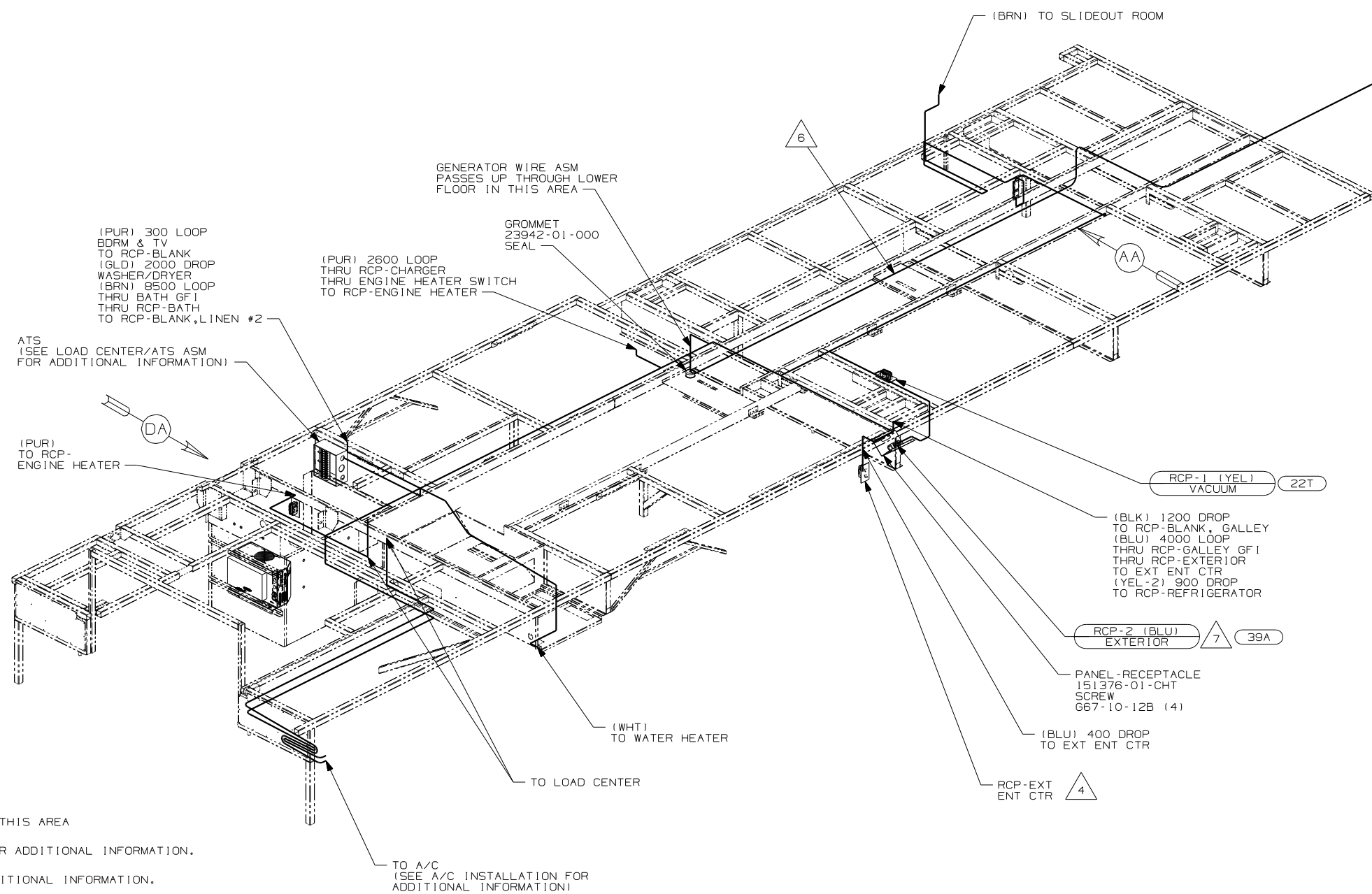
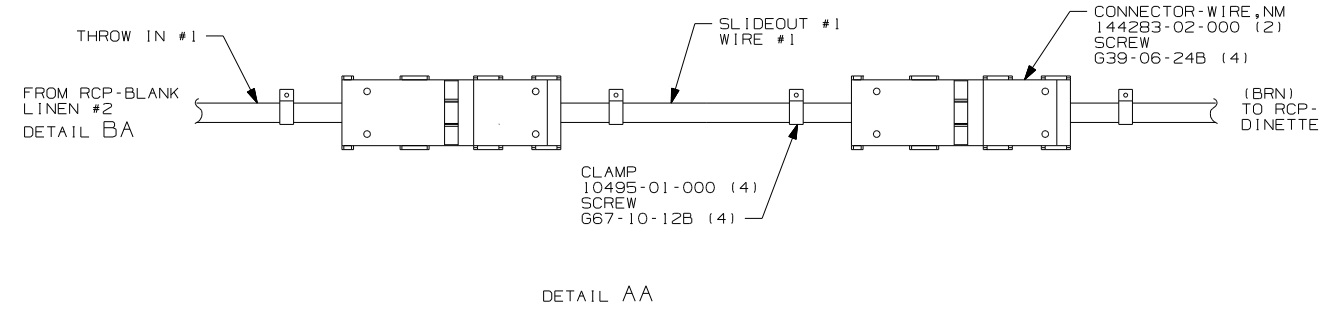


**CAUTION**

If you lack the skills, tools or equipment to perform diagnostic or repair work leave such work to an authorized Winnebago Industries dealer or other qualified shop.

DRAWING NO.	FEATURE
150766-01	-----
150766-14	1B1 78J 13X
150766-18	265 78J 13X

RELEASE	REV DATE	DWG NO
A		150766
REV ZONE	REVISION RECORD	DATE DFR-016



- 39A EXT RECEPTACLE DPLX 120VAC
- 22T VACUUM SYSTEM-CENTRAL
- 13X INVERTER/CHARGER 2.0 KW
- 78J ELECTRICAL SYSTEM-50 AMP
- 265 CODES/STANDARDS-CSA/CMVSS
- 12D ELECTRICAL SYSTEM 30 AMP
- 1B1 CODES/STANDARDS USA

- 7 MOUNT TO RAM COVER.
- 6 ROUTED ALONG CHASSIS RAIL IN THIS AREA
- 5 SEE GENERATOR INSTALLATION FOR ADDITIONAL INFORMATION.
- 4 SEE EXT ENT CTR COMPT FOR ADDITIONAL INFORMATION.

3. ALL GROUND WIRE TO BE COVERED WITH TUBING 8041-02-000.
2. ALL 110V WIRE TO BE CLAMPED WITH CLAMP 10497-05-000 WITHIN 200MM OF OUTLET BOXES, USE SCREW 667-10-12B.
1. ALL WIRES TO BE SECURED WITH CLAMP 10495 OR 10497 OR WIRE TIE 8343 OR 108046 EVERY 600MM, USE SCREW 667-XX-XXX OR G56-XX-XXX AS APPROPRIATE FOR INTALLATION.

NOTES:

FOR ELECTRICAL TORQUE SPECIFICATIONS SEE DWG NO. 128783-01-000

FOR ELECTRICAL CALLOUTS SEE DWG NO. 121339-01-000

**WINNEBAGO** COPYRIGHT 2004 WINNEBAGO INDUSTRIES, INC.

DFTR	ORIG. DATE
CHKR	ALL DIMENSIONS ARE IN MILLIMETERS
P.E.	
M.E.	FIRST USED
DSNR	05 S36GD

UNSPECIFIED TOLERANCES ARE: MATERIAL:

WHOLE DIM (X) :  
ONE-PLACE (X.X) :  
TWO-PLACE (X.XX) :  
ANGLE :

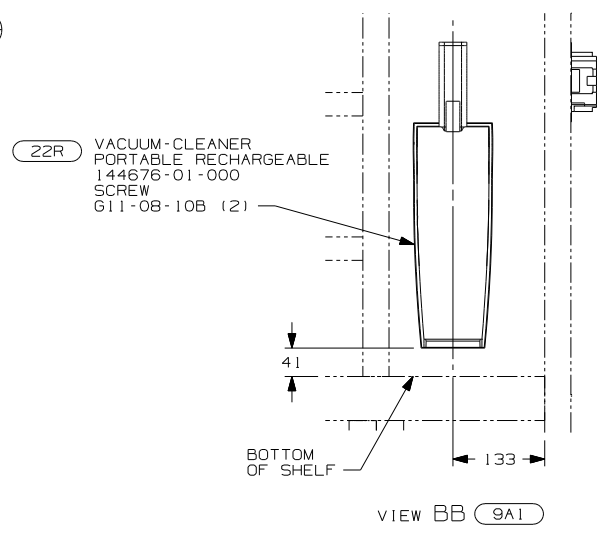
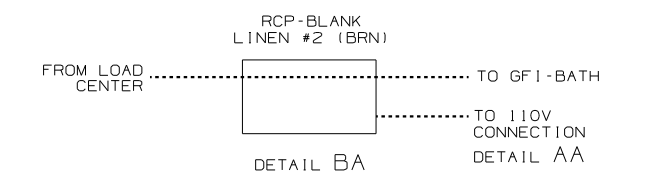
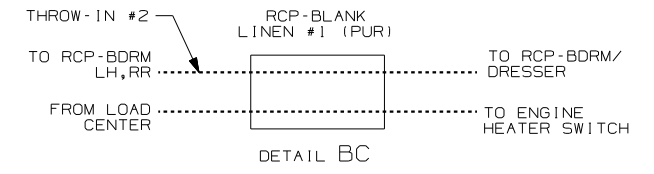
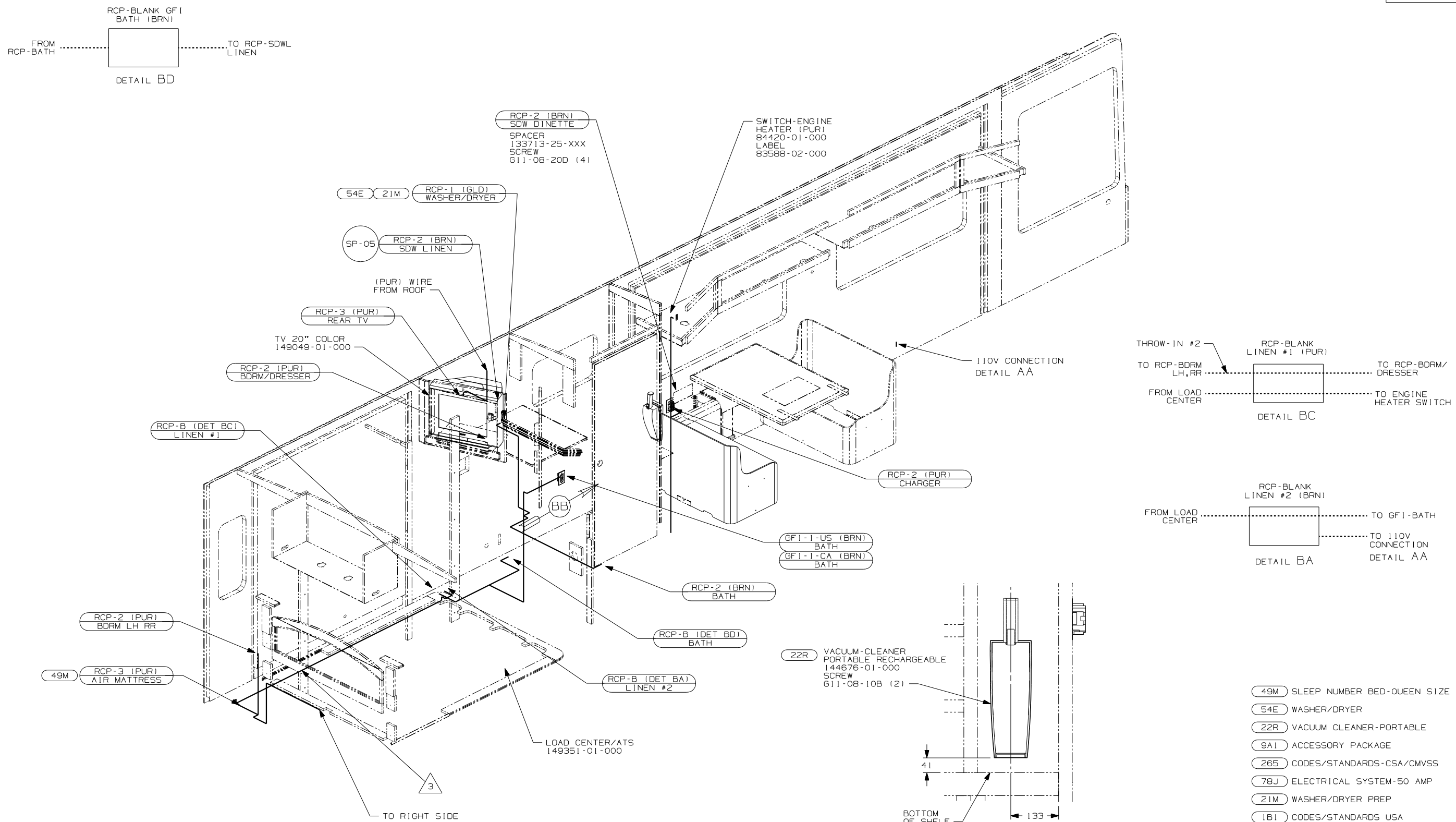
THIRD ANGLE PROJECTION

DO NOT SCALE DRAWING

TITLE: WIRING INSTL-BODY, 110V

SHEET 1 of 4 PART NO 150766

REF: 147415-H | 10/5/2004



- (49M) SLEEP NUMBER BED-QUEEN SIZE
- (54E) WASHER/DRYER
- (22R) VACUUM CLEANER-PORTABLE
- (9A1) ACCESSORY PACKAGE
- (265) CODES/STANDARDS-CSA/CMVSS
- (78J) ELECTRICAL SYSTEM-50 AMP
- (21M) WASHER/DRYER PREP
- (1B1) CODES/STANDARDS USA

3 ROUTE WIRE THRU FLOOR.

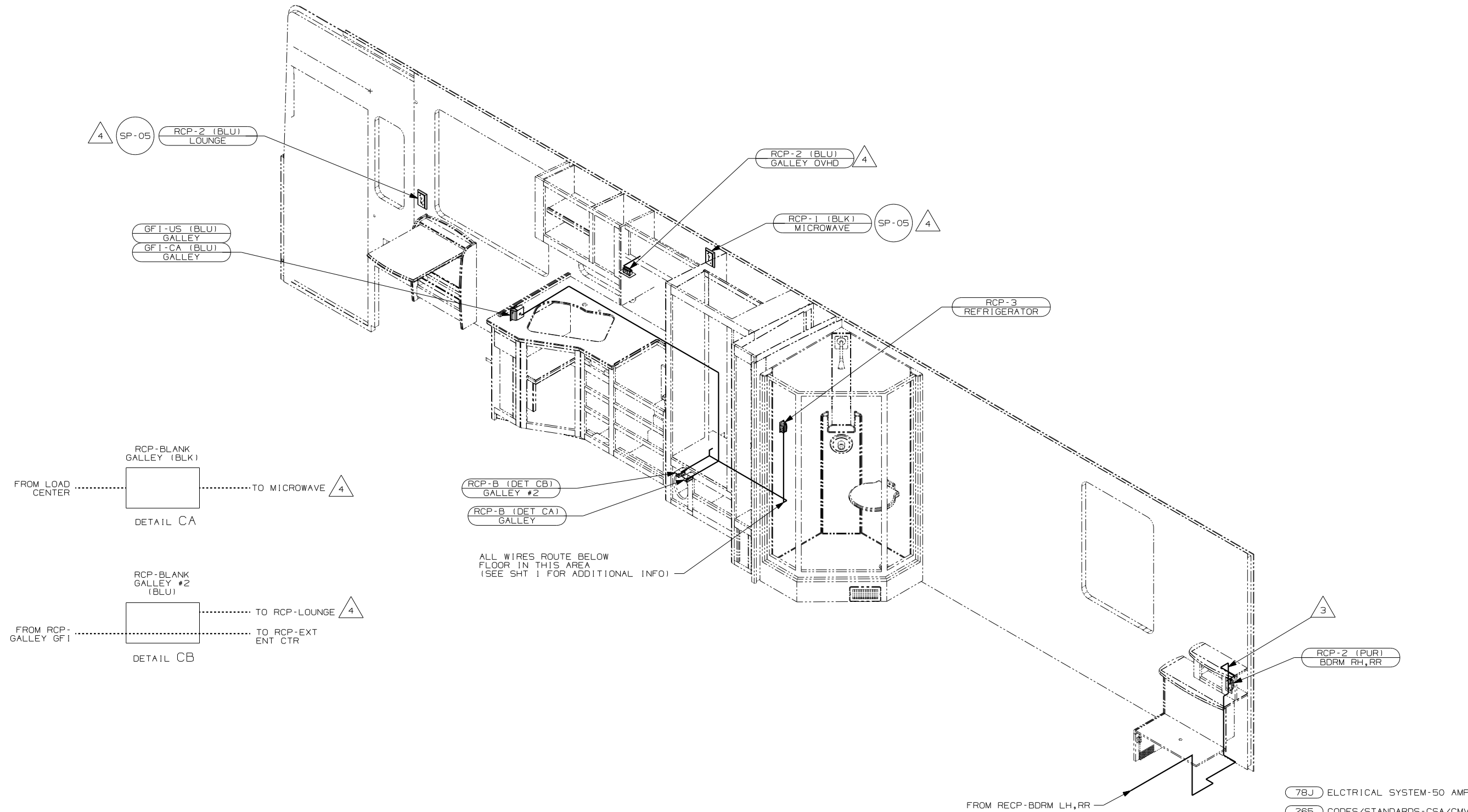
2. ALL WIRES ARE TO BE CLAMPED WITH CLAMP 10497-05-000 WITHIN 200 FO OUTLET BOXES AND SPLICES. USE SCREW G67-10-12B
1. ALL WIRES TO BE SECURED WITH CLAMP 10495 OR 10497 OR WIRE TIE 8343 OR 108046 EVERY 600MM, USE SCREW G67-XX-XXX OR G56-XX-XXX AS APPROPRIATE FOR INTALLATION.

NOTES:

FOR ELECTRICAL TORQUE SPECIFICATIONS SEE DWG NO. 128783-01-000

(X-X) FOR ELECTRICAL CALLOUTS SEE DWG NO. 121339-01-000

FIRST USED	
05 S36GD	
DO NOT SCALE DRAWING	
TITLE: WIRING INSTL-BODY, 110V	
SHEET 2	PART NO 150766



4 SP-05 RCP-2 (BLU) LOUNGE

RCP-2 (BLU) GALLEY OVHD 4

GFI-US (BLU) GALLEY  
GFI-CA (BLU) GALLEY

RCP-1 (BLK) MICROWAVE SP-05 4

RCP-3 REFRIGERATOR

RCP-BLANK GALLEY (BLK)  
DETAIL CA

FROM LOAD CENTER TO MICROWAVE 4

RCP-B (DET CB) GALLEY #2

RCP-B (DET CA) GALLEY

ALL WIRES ROUTE BELOW FLOOR IN THIS AREA (SEE SHT 1 FOR ADDITIONAL INFO)

RCP-BLANK GALLEY #2 (BLU)  
DETAIL CB

FROM RCP-GALLEY GFI TO RCP-LOUNGE 4  
TO RCP-EXT ENT CTR

RCP-2 (PUR) BDRM RH,RR 3

FROM RECP-BDRM LH,RR

- 4 WIRE IN SIDEWALL.
- 3 ROUTE WIRE IN SIDEWALL DURING INSTALLATION.

2. ALL WIRES ARE TO BE CLAMPED WITH CLAMP 10497-05-000 WITHIN 200 OF OUTLET BOXES AND SPLICES, USE SCREW G67-10-12B.
1. ALL WIRES TO BE SECURED WITH CLAMP 10495 OR 10497 OR WIRE TIE 8343 OR 108046 EVERY 600MM, USE SCREW G67-XX-XXX OR G56-XX-XXX AS APPROPRIATE FOR INTALLATION.

NOTES:

- 78J ELECTRICAL SYSTEM-50 AMP
- 265 CODES/STANDARDS-CSA/CMVSS
- 12D ELECTRICAL SYSTEM 30 AMP
- 1B1 CODES/STANDARDS USA

1B1 265 12D 78J

FIRST USED 05 S36GD

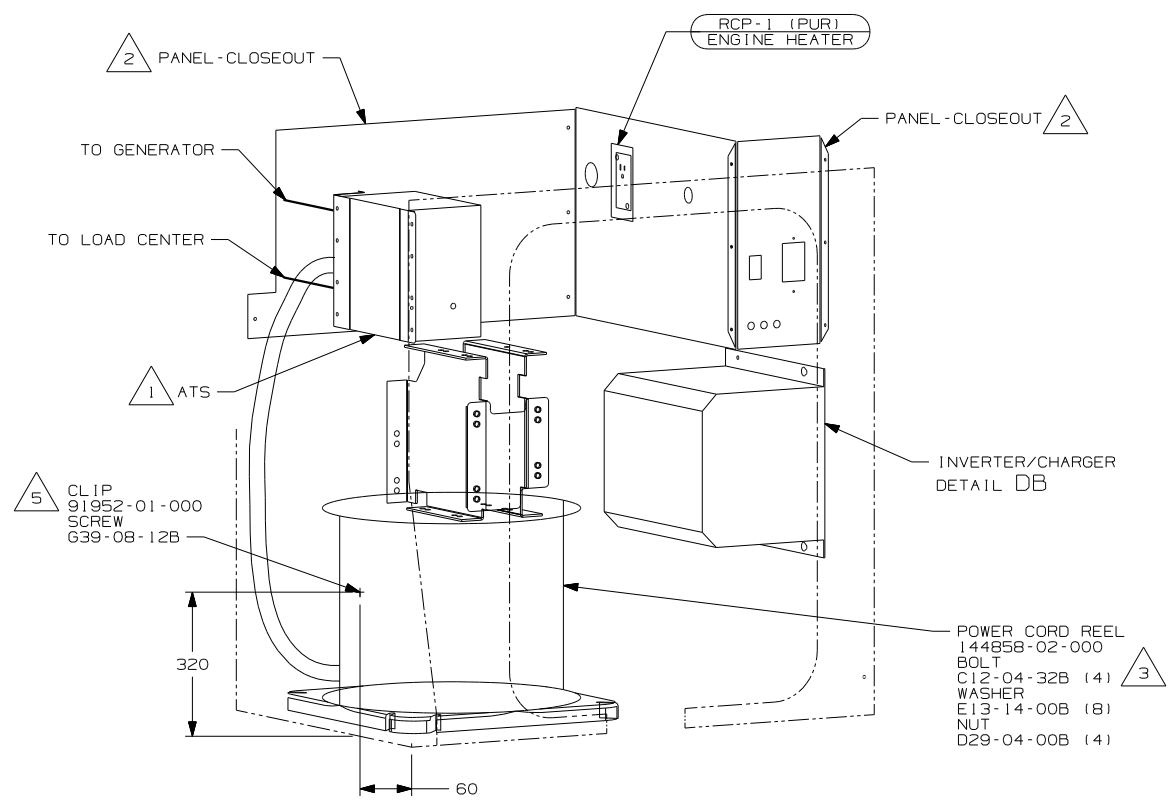
DO NOT SCALE DRAWING

TITLE: WIRING INSTL-BODY, 110V

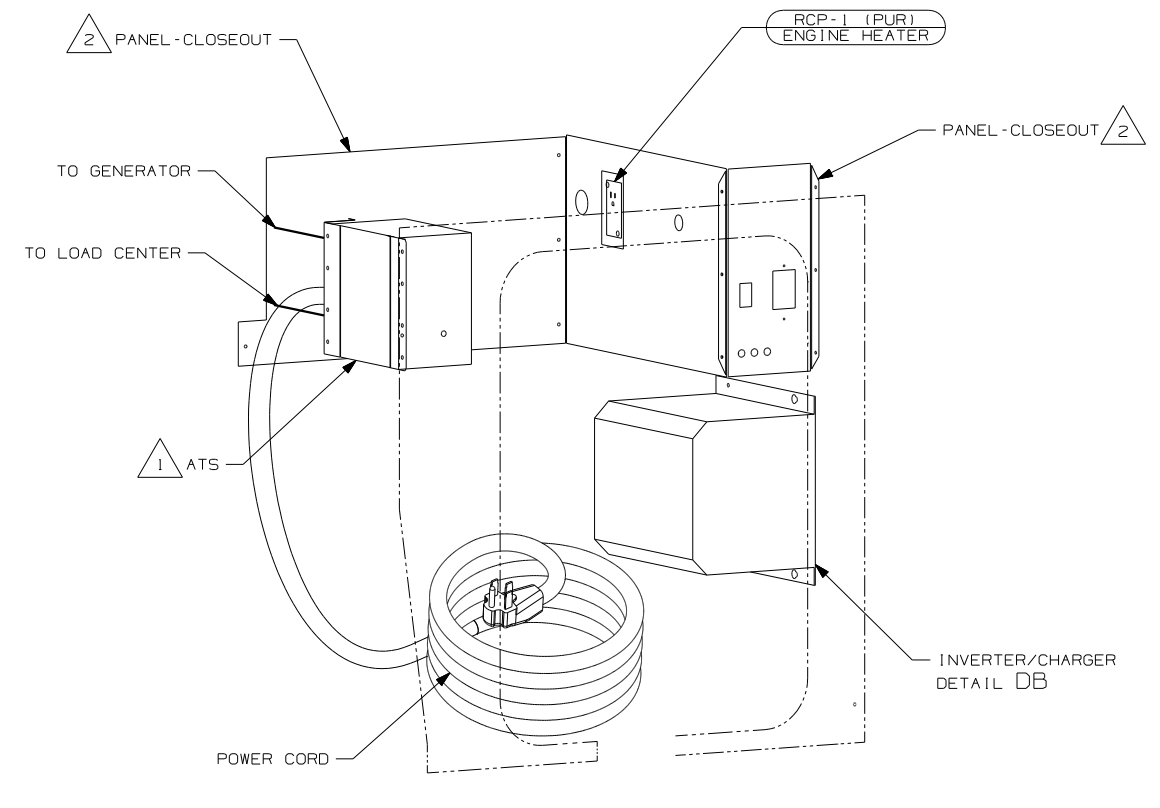
SHEET 3 PART NO 150766

FOR ELECTRICAL TORQUE SPECIFICATIONS SEE DWG NO. 128783-01-000

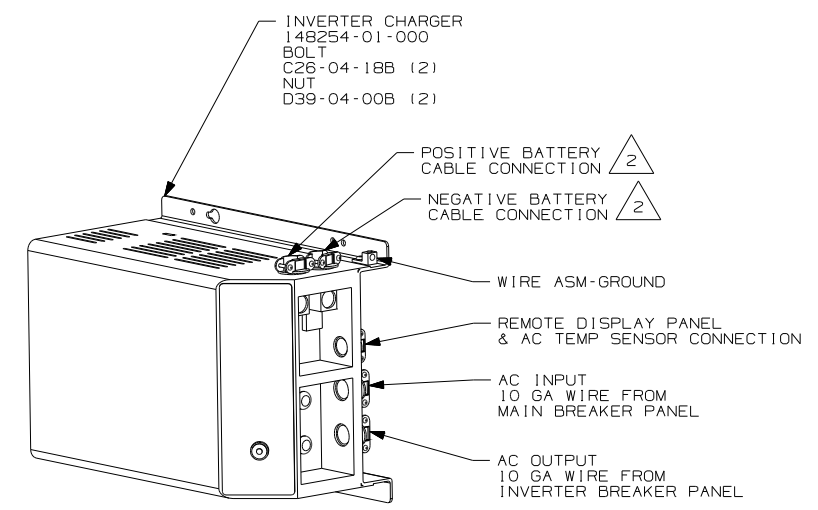
X-X FOR ELECTRICAL CALLOUTS SEE DWG NO. 121339-01-000



VIEW DA 12F



VIEW DA 12G 4



DETAIL DB

- NOTES:
- 5 FASTEN CLIP TO INSIDE LEFT COMPARTMENT WALL
  - 4 PLUG POWER CORD REEL MOUNTING HOLES WITH PLUG-PLASTIC 81211-01-000 (4).
  - 3 INSERT BOLT FROM BOTTOM OF COMPT.
  - 2 SEE WIRING INSTL-CHASSIS FOR ADDITIONAL INFORMATION.
  - 1 SEE LOAD CENTER/ATS ASM FOR ADDITIONAL INFORMATION.

- 12G POWER CORD REEL - WITHOUT
- 12F POWER CORD REEL
- 265 CODES/STANDARDS-CSA/CMVSS
- 1B1 CODES/STANDARDS USA

FOR ELECTRICAL TORQUE SPECIFICATIONS SEE DWG NO. 128783-01-000

FOR ELECTRICAL CALLOUTS SEE DWG NO. 121339-01-000

FIRST USED	05 S36GD
TITLE	DO NOT SCALE DRAWING
	WIRING INSTL-BODY, 110V
SHEET 4	PART NO 150766