



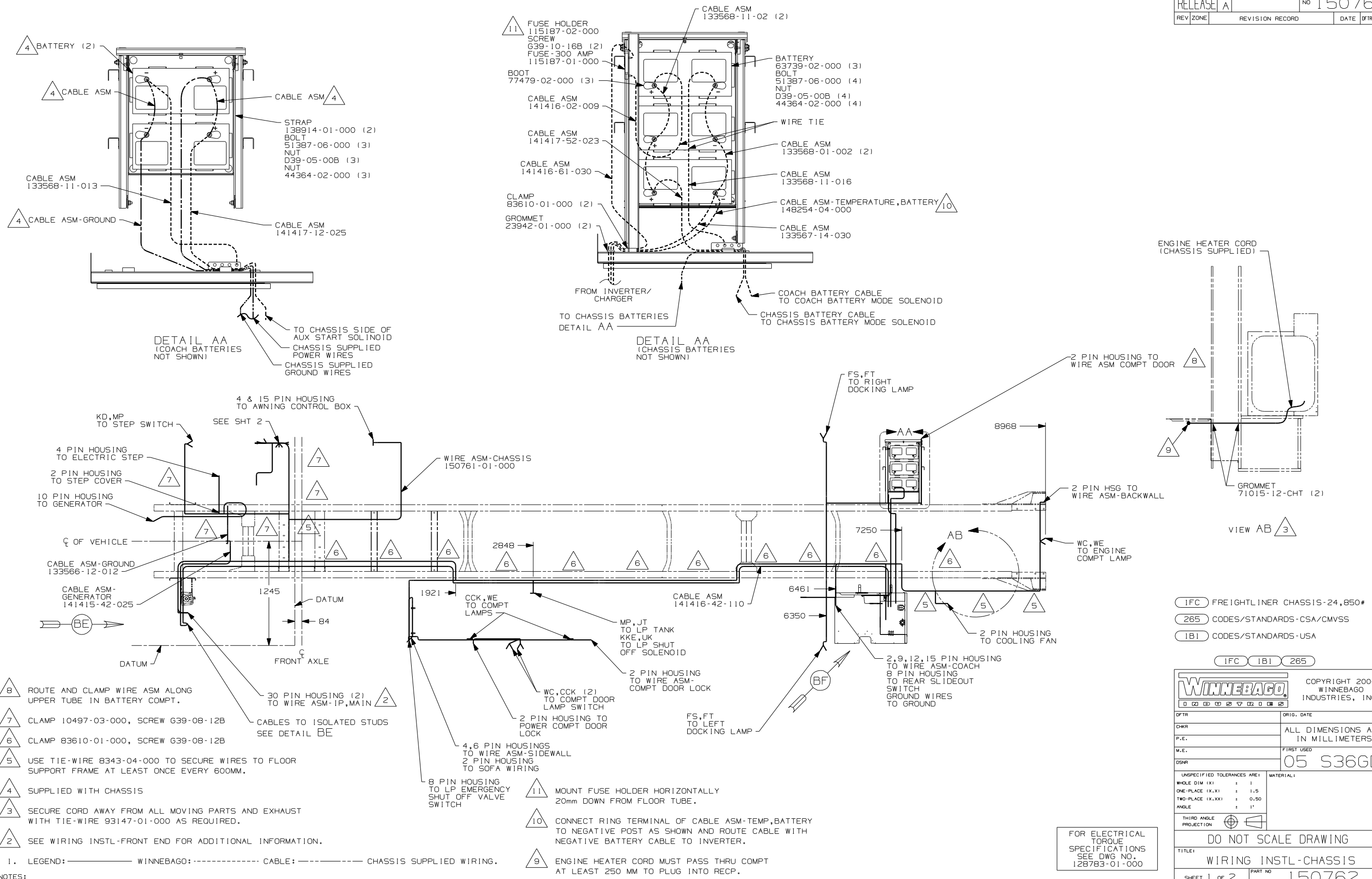
**DANGER**

**Danger of electrical shock, burns or death.** Always remove all power sources before attempting any repair, service or diagnostic work. Power can be present from shore power, generator, inverter or battery. All power sources must be disabled and secured before performing any service.



**CAUTION**

If you lack the skills, tools or equipment to perform diagnostic or repair work leave such work to an authorized Winnebago Industries dealer or other qualified shop.



- 8 ROUTE AND CLAMP WIRE ASM ALONG UPPER TUBE IN BATTERY COMPT.
- 7 CLAMP 10497-03-000, SCREW G39-08-12B
- 6 CLAMP 83610-01-000, SCREW G39-08-12B
- 5 USE TIE-WIRE 8343-04-000 TO SECURE WIRES TO FLOOR SUPPORT FRAME AT LEAST ONCE EVERY 600MM.
- 4 SUPPLIED WITH CHASSIS
- 3 SECURE CORD AWAY FROM ALL MOVING PARTS AND EXHAUST WITH TIE-WIRE 93147-01-000 AS REQUIRED.
- 2 SEE WIRING INSTL-FRONT END FOR ADDITIONAL INFORMATION.

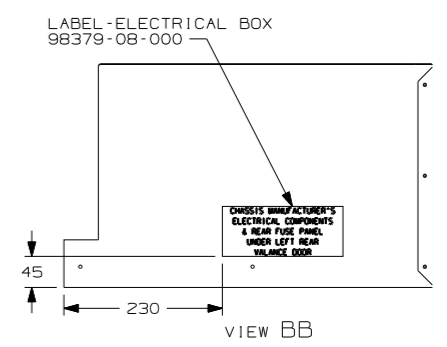
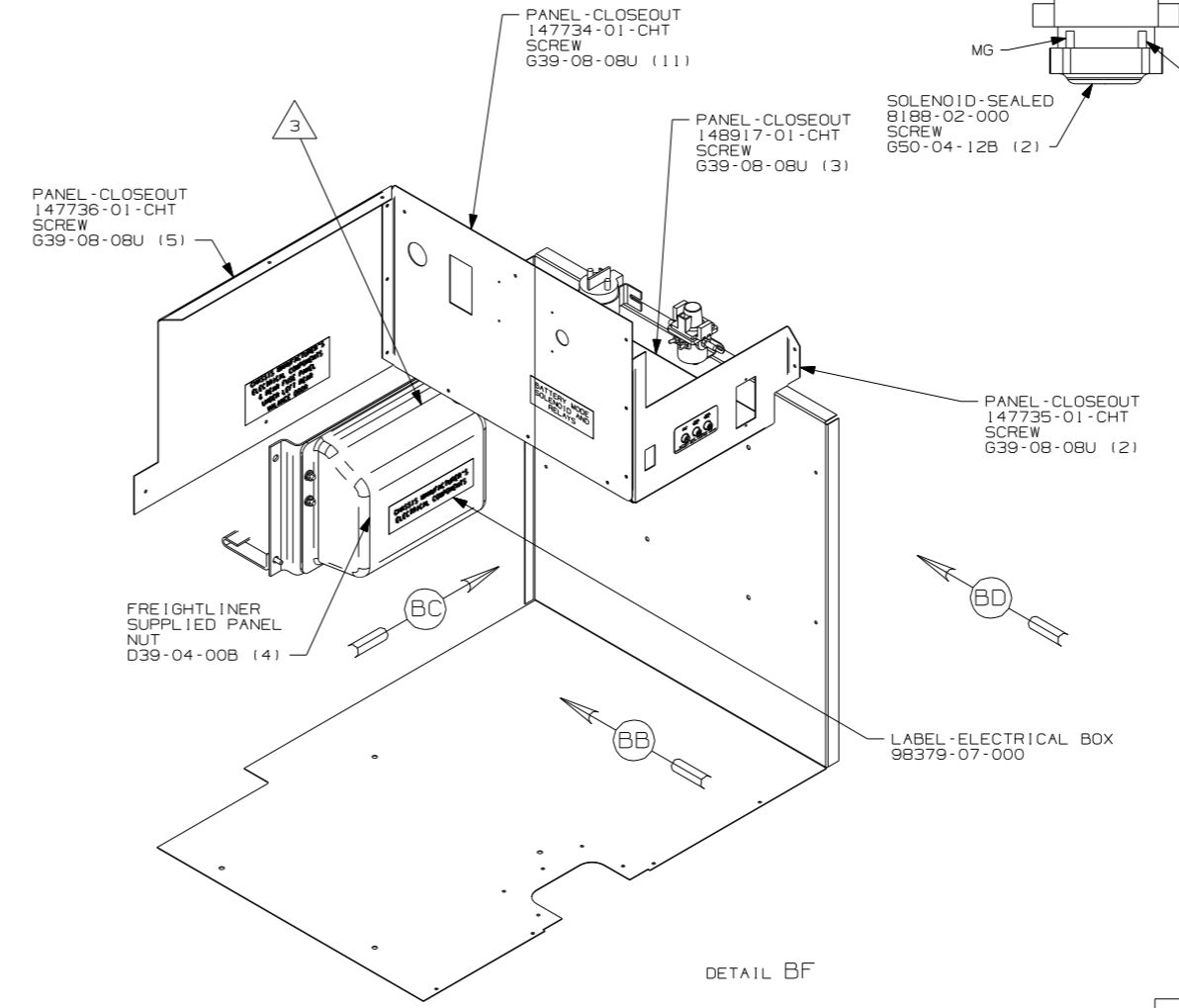
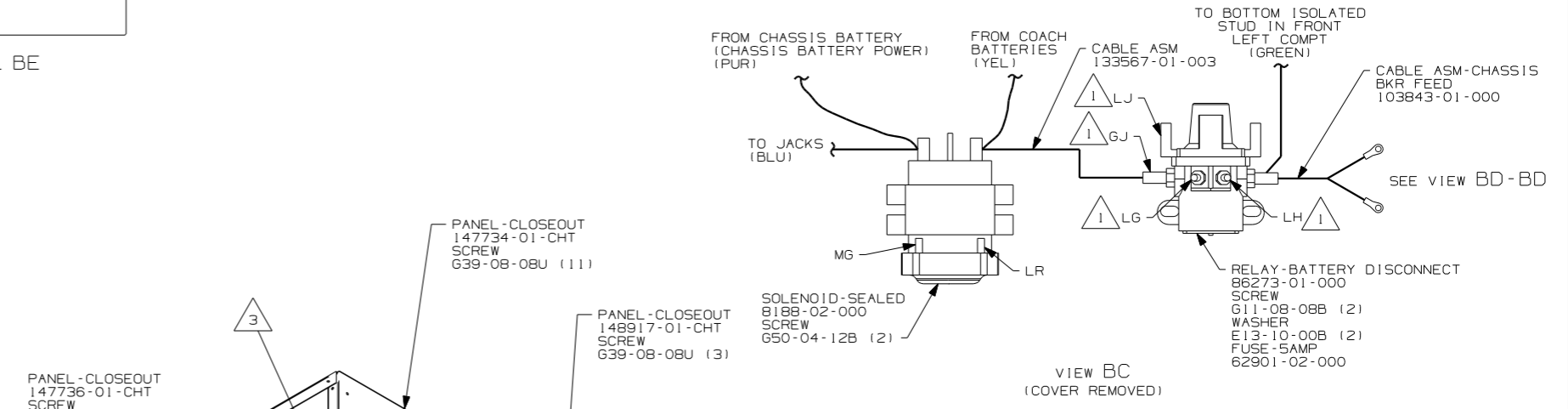
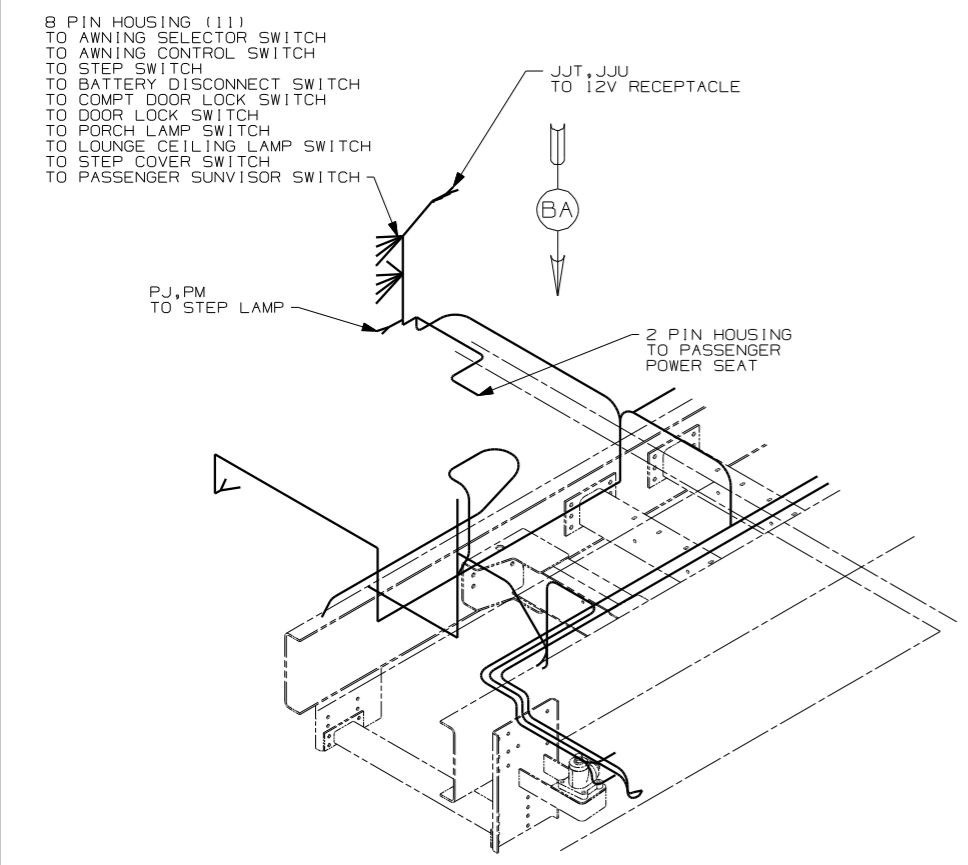
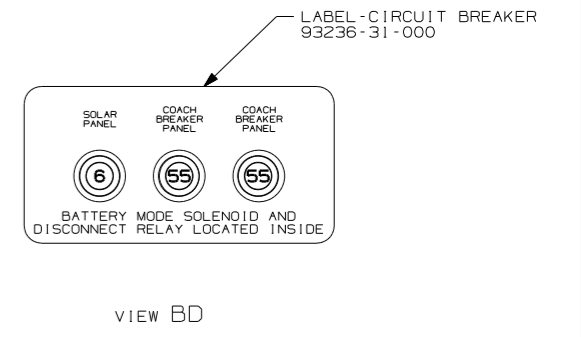
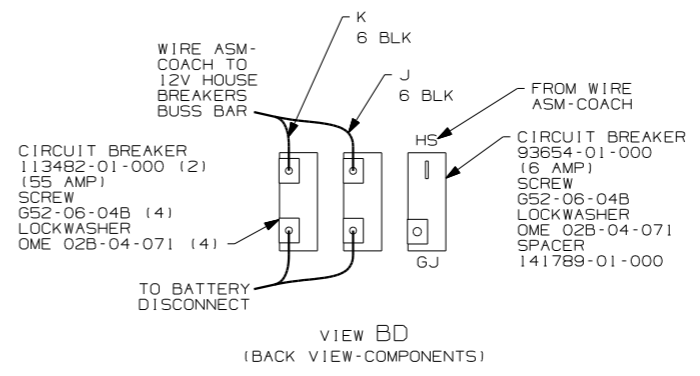
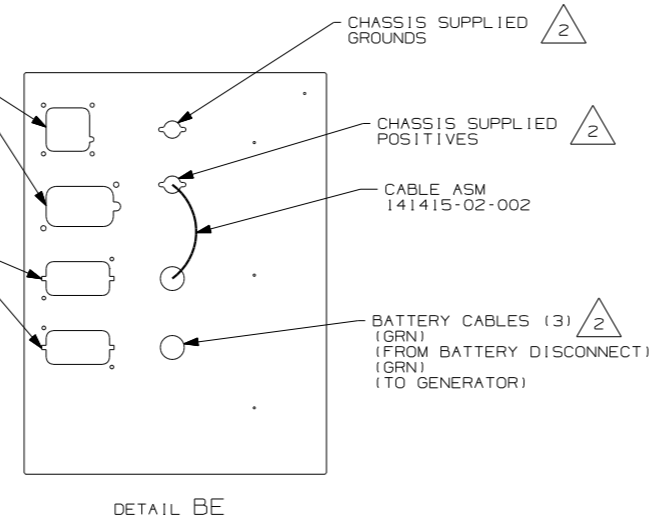
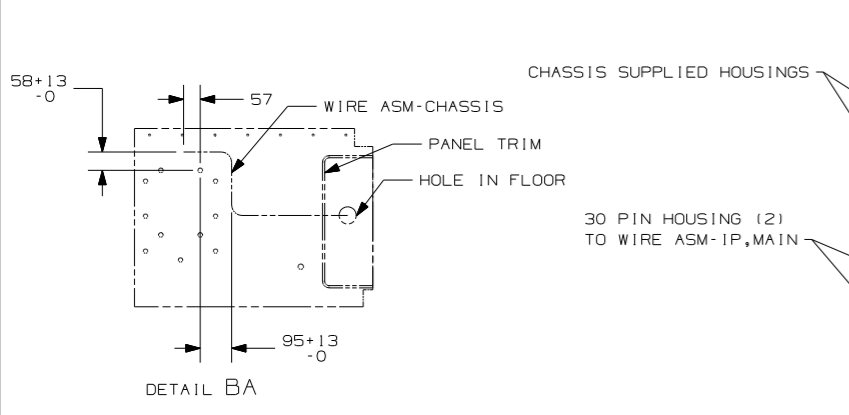
1. LEGEND: — WINNEBAGO: - - - - - CABLE: - - - - - CHASSIS SUPPLIED WIRING.  
 NOTES:

- 11 MOUNT FUSE HOLDER HORIZONTALLY 20mm DOWN FROM FLOOR TUBE.
- 10 CONNECT RING TERMINAL OF CABLE ASM-TEMP,BATTERY TO NEGATIVE POST AS SHOWN AND ROUTE CABLE WITH NEGATIVE BATTERY CABLE TO INVERTER.
- 9 ENGINE HEATER CORD MUST PASS THRU COMPT AT LEAST 250 MM TO PLUG INTO RECP.

FOR ELECTRICAL TORQUE SPECIFICATIONS SEE DWG NO. 128783-01-000

IFC FREIGHTLINER CHASSIS-24,850#  
 265 CODES/STANDARDS-CSA/CMVSS  
 IB1 CODES/STANDARDS-USA  
 IFC IB1 265

<b>WINNEBAGO</b>		COPYRIGHT 2004 WINNEBAGO INDUSTRIES, INC.	
DFTR	ORIG. DATE		
CHKR	ALL DIMENSIONS ARE IN MILLIMETERS		
P.E.	FIRST USED		
M.E.	05 S36GD		
DSNR			
UNSPECIFIED TOLERANCES ARE:		MATERIAL:	
WHOLE DIM (X)	: 1		
ONE-PLACE (X.X)	: 1.5		
TWO-PLACE (X.XX)	: 0.50		
ANGLE	: 1°		
THIRD ANGLE PROJECTION			
<b>DO NOT SCALE DRAWING</b>			
TITLE: WIRING INSTL-CHASSIS			
SHEET 1 OF 2		PART NO 150762	
REF:		1 3/25/2005	



- NOTES:
- 3 BOX TO BE ORIENTATED SO CHASSIS WIRING ROUTES OUT THE TOP RIGHT CORNER.
  - 2 SEE WIRING INSTL-FRONT END FOR ADDITIONAL INFORMATION.
  - 1 CIRCUITS BRANCH FROM WIRE ASM-CHASSIS.

FOR ELECTRICAL TORQUE SPECIFICATIONS SEE DWG NO. 128783-01-000

FIRST USED	05 S36GD
TITLE	DO NOT SCALE DRAWING
TITLE	WIRING INSTL-CHASSIS
SHEET 2	PART NO 150762