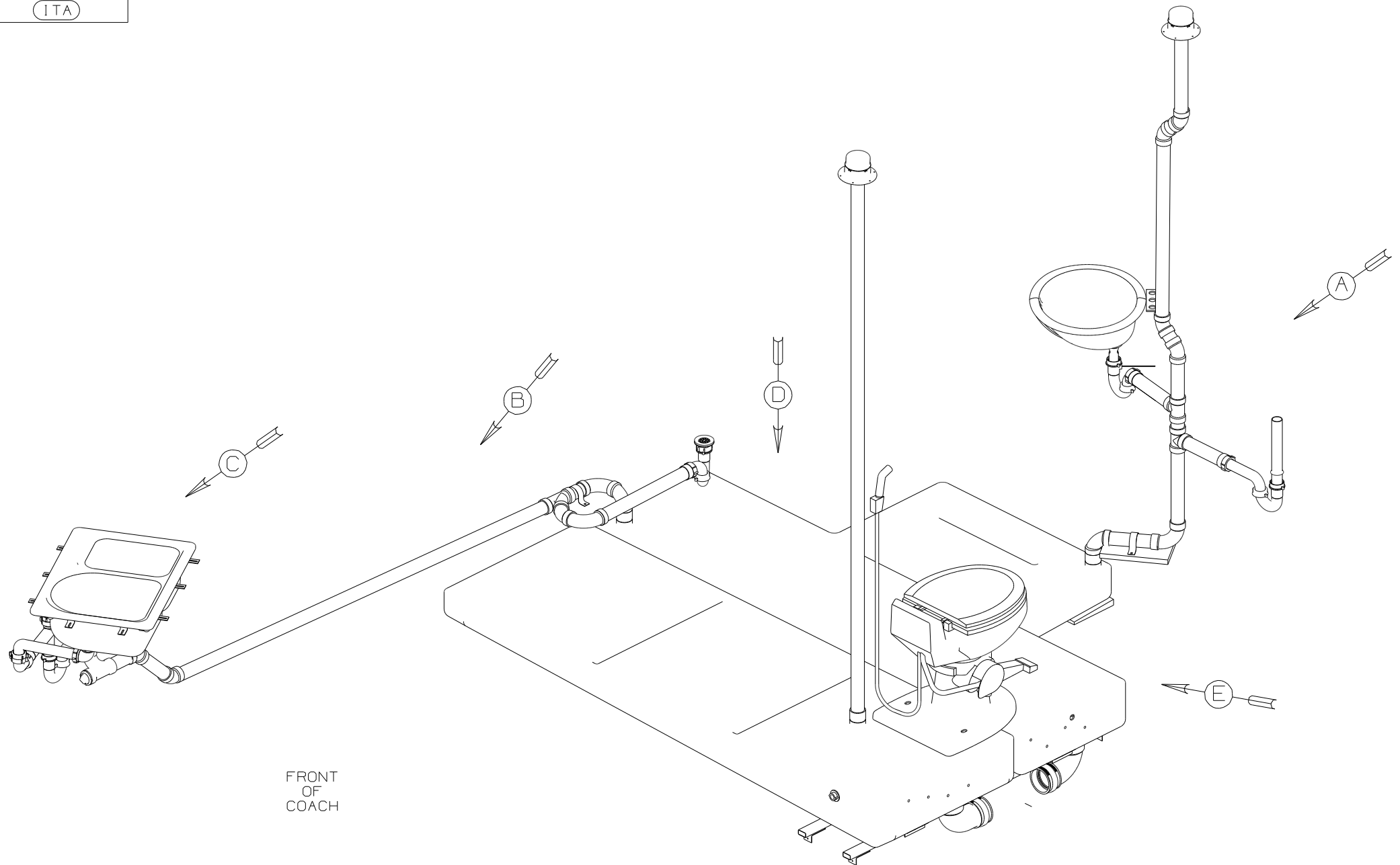


DWG NO	----
150359-01	(WIN)
150359-02	(ITA)

RELEASE	REV DATE	DWG NO
A		150359
REV ZONE	REVISION RECORD	DATE
		DFTR-016

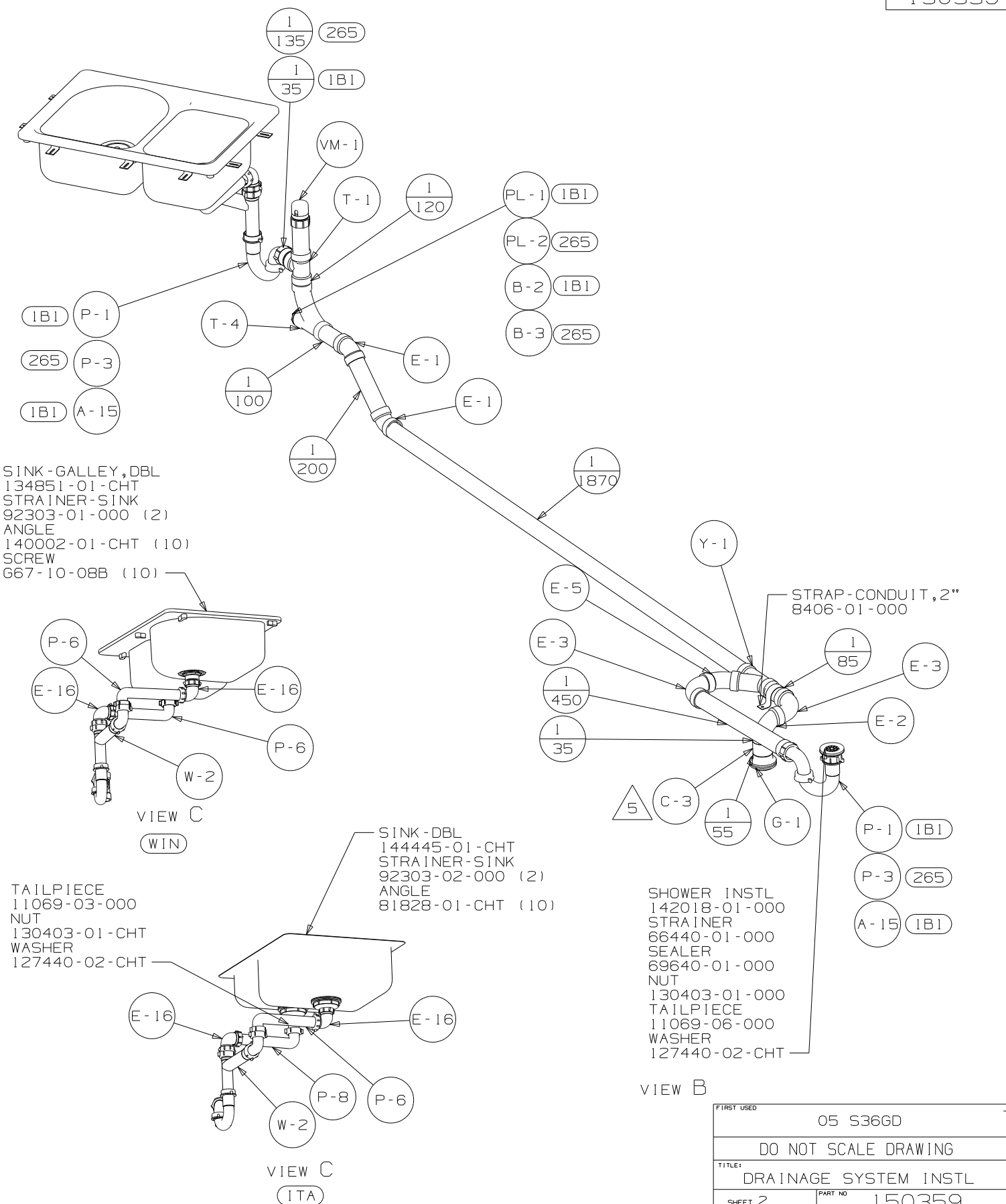
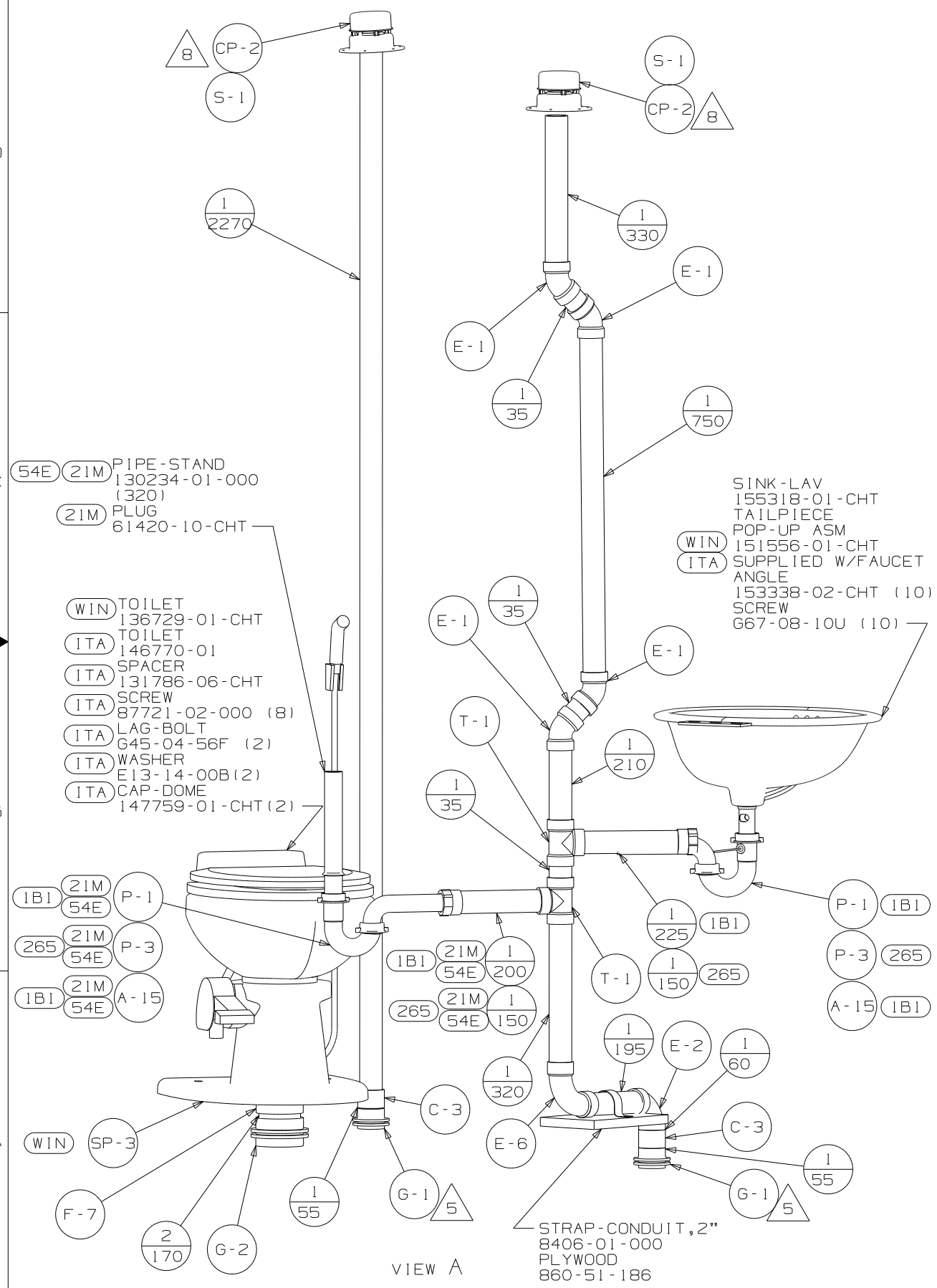


- (WIN) WINNEBAGO ONLY
- (ITA) ITASCA ONLY
- (1B1) CODES/STANDARDS-USA
- (265) CODES/STDS-CSA/CMVSS
- (54E) WASHER/DRYER
- (21M) WASHER/DRYER PREP
- (43M) TOILET PORCELAIN-ELONGATED

- NOTES:
- 8 VENT PIPE MUST PROJECT 51 MIN AND 64 MAX. ABOVE ROOF FOR PROPER FIT AND FUNCTION.
 7. SEE DWG 61607-01-000 FOR INSTL OF GROMMETS.
 6. SEAL ALL AROUND SHOWER WITH SILICONE.
 - 5 FASTEN TO BOTTOM OF UPPER FLOOR WITH BRACKET.
 4. ALL EXTERIOR OPENINGS AROUND PIPE TO BE SEALED WITH 110744-01-000.
 3. ALL PIPE AND FITTINGS TO BE ASSEMBLED WITH SOLVENT 4020-01-000 (US) 4020-02-000 (CAN).
 2. SLOPE OF TRAP ARM MUST BE 6 PER 305 mm.
 1. SLOPE OF HORIZONTAL PIPING TO BE 6 PER 305 mm.

(X-X)
FOR DRAINAGE CALLOUTS SEE DWG NO 116229-01-000

WINNEBAGO		COPYRIGHT 2005 WINNEBAGO INDUSTRIES, INC.	
DFTR	ORIG. DATE	ALL DIMENSIONS ARE IN MILLIMETERS	
CHKR		FIRST USED	
P.E.		05 S36GD	
M.E.		UNSPECIFIED TOLERANCES ARE:	
DSNR		MATERIAL:	
		WHOLE DIM (X) :	3
		ONE-PLACE (X.X) :	
		TWO-PLACE (X.XX) :	
		ANGLE :	
THIRD ANGLE PROJECTION		DO NOT SCALE DRAWING	
TITLE: DRAINAGE SYSTEM INSTL			
SHEET 1 OF 3		PART NO 150359	



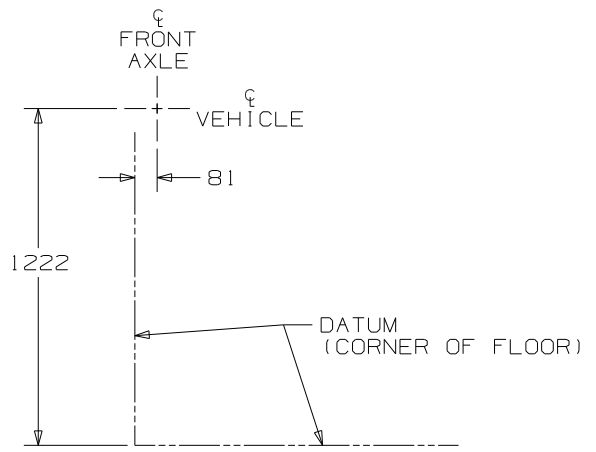
VIEW A

VIEW C

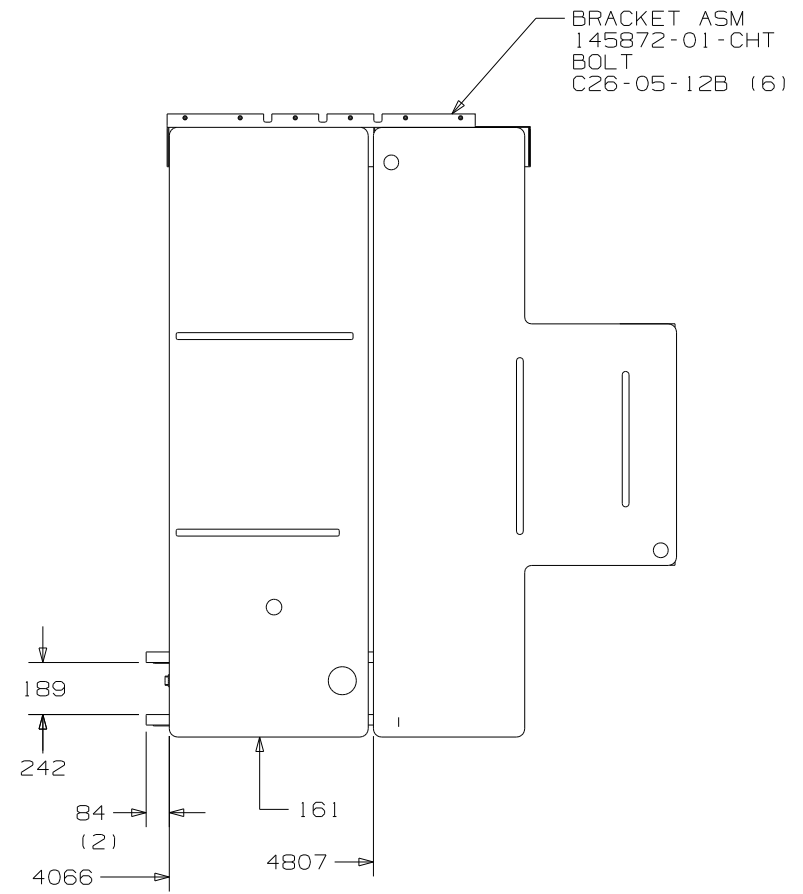
VIEW C

VIEW B

FIRST USED	05 S36GD
DO NOT SCALE DRAWING	
TITLE	DRAINAGE SYSTEM INSTL
SHEET 2	PART NO 150359



VIEW D



TANK - HOLDING
132407-20-000

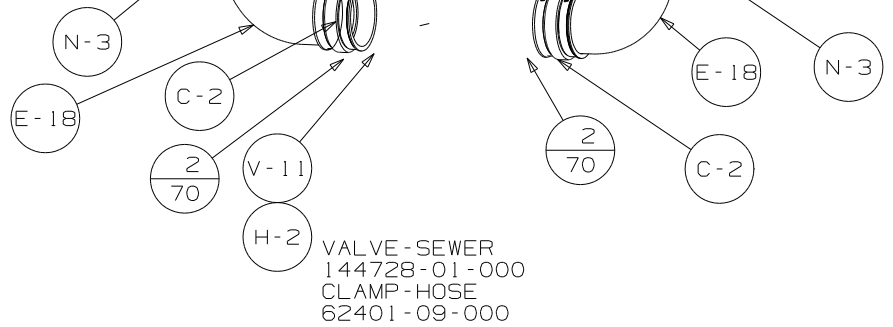
TANK - HOLDING
132408-20-000

PLATFORM - HOLDING TANK
126714-27-000

SUPPORT ASM
133839-03-CHT (2)
SCREW
G39-10-20T (2)

ANGLE FORMED
132871-03-CHT (2)
SCREW
G39-10-20T (2)
G39-10-12T (2)

BRACKET - DRAINAGE TANK
146080-01-CHT (2)

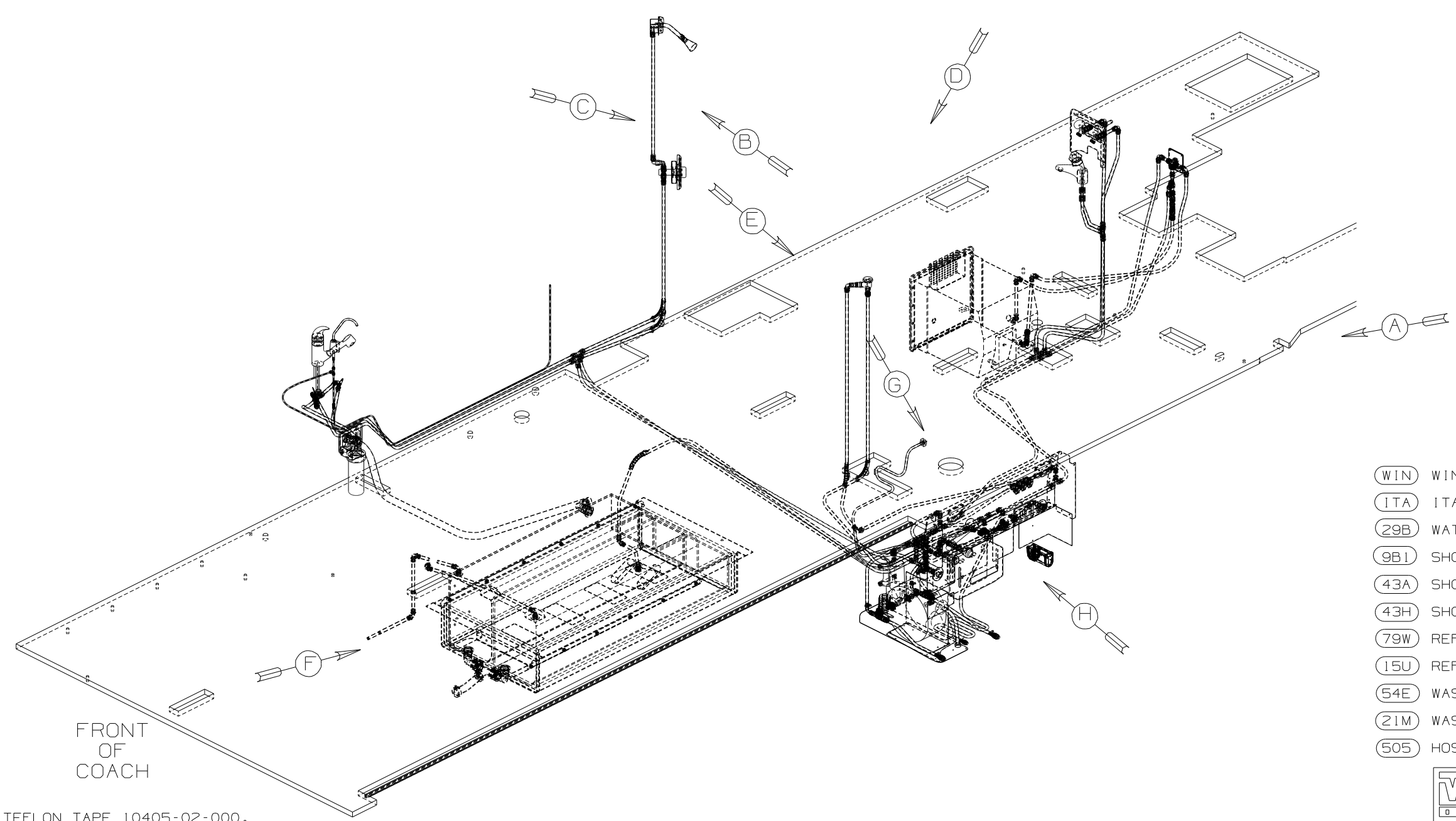


VIEW E

FIRST USED	05 S36GD
TITLE	DO NOT SCALE DRAWING DRAINAGE SYSTEM INSTL
SHEET 3	PART NO 150359

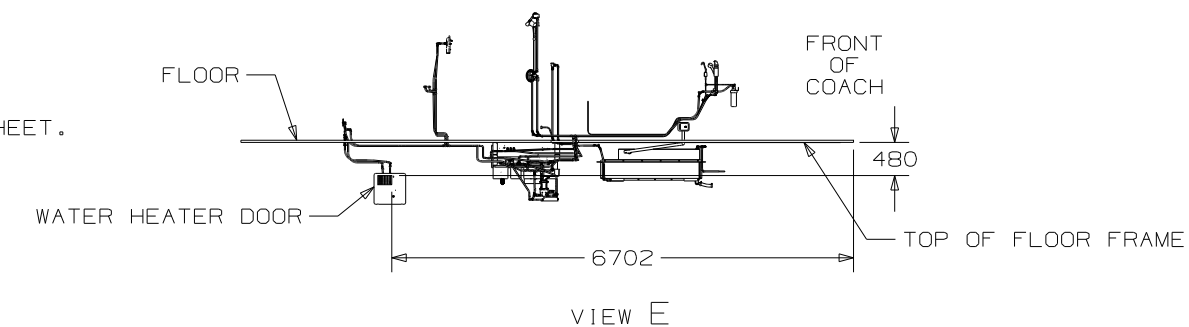
DWG NO	----
150362-01	(WIN)
150362-02	(ITA)

RELEASE	REV DATE	DWG NO
A		150362
REV ZONE	REVISION RECORD	DATE
		DFTR-0R16



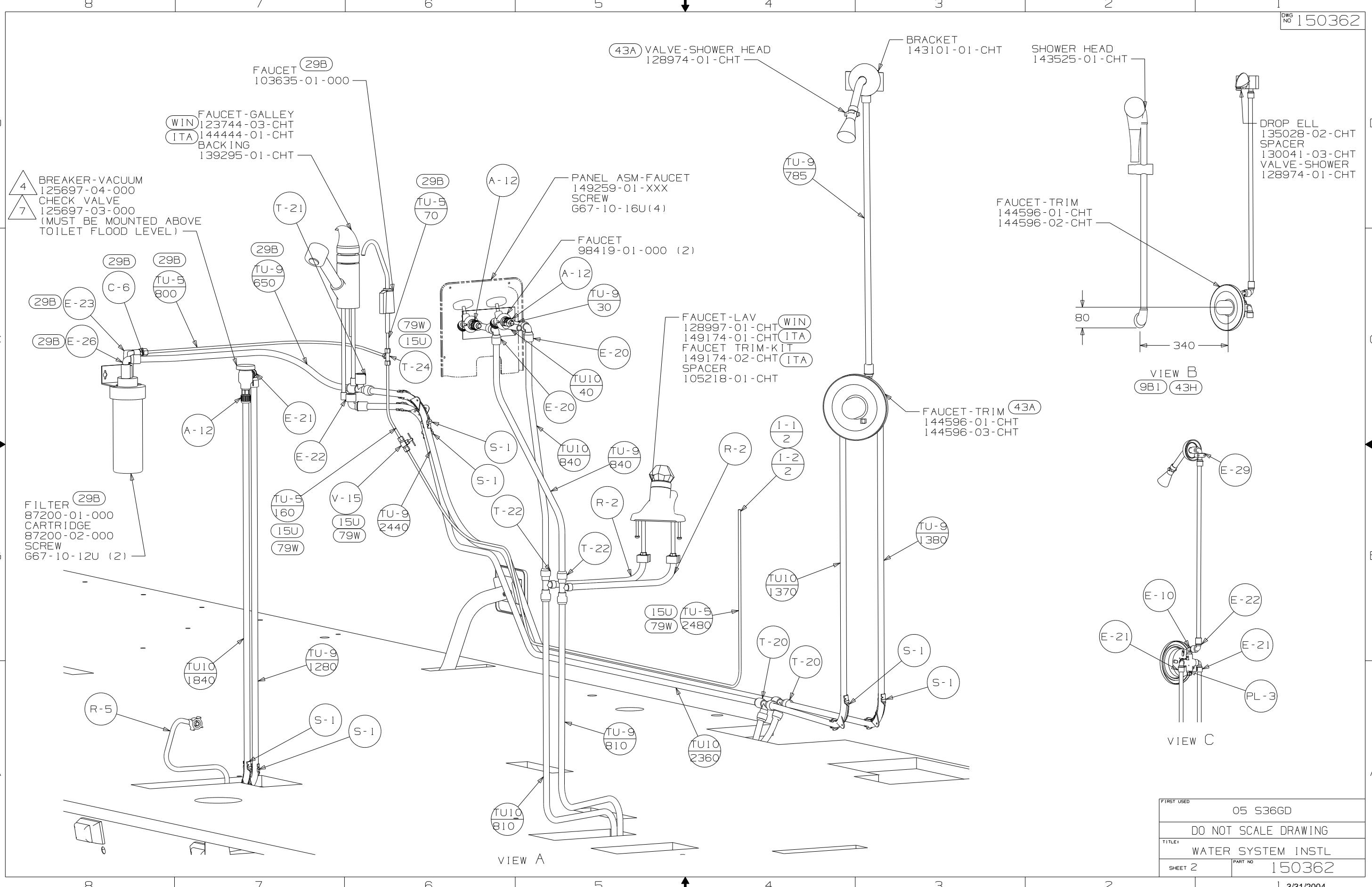
- (WIN) WINNEBAGO ONLY
- (ITA) ITASCA ONLY
- (29B) WATER PURIFIER
- (9B1) SHOWER PACKAGE
- (43A) SHOWER HEAD-FIXED
- (43H) SHOWER HEAD-HAND HELD
- (79W) REFRIGERATOR-4 DOOR
- (15U) REFRIGERATOR/FRZR W-ICEMAKER
- (54E) WASHER/DRYER
- (21M) WASHER/DRYER PREP
- (505) HOSE REEL-WATER,POWERED

- NOTES:
7. ADD TEFLON TAPE 10405-02-000.
 6. ADD TEFLON TAPE 10405-01-000.
 5. ADD TEFLON TAPE 10405-03-000.
 4. FLUSHING SYSTEM REQUIRES 125697-06-000 INSTRUCTION SHEET.
3. ALL TUBING TO BE SECURED AT 1200 INTERVALS MAXIMUM WITH CLAMP 10495-01-000 OR CLIP 91951-01-000 AND SCREW G67-10-12B.
 2. TUBING TO BE INSTALLED WITH SUFFICIENT SLOPE TO PROVIDE DRAINAGE TO NEAREST VALVE.
 1. PLASTIC FITTINGS TO BE SEALED WITH SEALANT 84456-01-000.



(X-X)
FOR WATER CALLOUTS SEE DWG NO 116230-01-000

WINNEBAGO		COPYRIGHT 2004 WINNEBAGO INDUSTRIES, INC.	
DFTR	ORIG. DATE	ALL DIMENSIONS ARE IN MILLIMETERS	
CHKR		FIRST USED	
P.E.		05 S36GD	
M.E.		UNSPECIFIED TOLERANCES ARE:	
DSNR		MATERIAL:	
		WHOLE DIM (X)	: 7
		ONE-PLACE (X.X)	:
		TWO-PLACE (X.XX)	:
		ANGLE	:
		THIRD ANGLE PROJECTION	
DO NOT SCALE DRAWING			
TITLE: WATER SYSTEM INSTL			
SHEET 1 OF 5		PART NO 150362	



4 BREAKER-VACUUM
125697-04-000
CHECK VALVE
7 125697-03-000
(MUST BE MOUNTED ABOVE
TOILET FLOOD LEVEL)

FAUCET-GALLEY
WIN 123744-03-CHT
ITA 144444-01-CHT
BACKING
139295-01-CHT

43A VALVE-SHOWER HEAD
128974-01-CHT

BRACKET
143101-01-CHT

SHOWER HEAD
143525-01-CHT

DROP ELL
135028-02-CHT
SPACER
130041-03-CHT
VALVE-SHOWER
128974-01-CHT

FAUCET-TRIM
144596-01-CHT
144596-02-CHT

PANEL ASM-FAUCET
149259-01-XXX
SCREW
G67-10-16U(4)

FAUCET
98419-01-000 (2)

FAUCET-LAV
WIN 128997-01-CHT
ITA 149174-01-CHT
FAUCET TRIM-KIT
149174-02-CHT
ITA
SPACER
105218-01-CHT

FAUCET-TRIM 43A
144596-01-CHT
144596-03-CHT

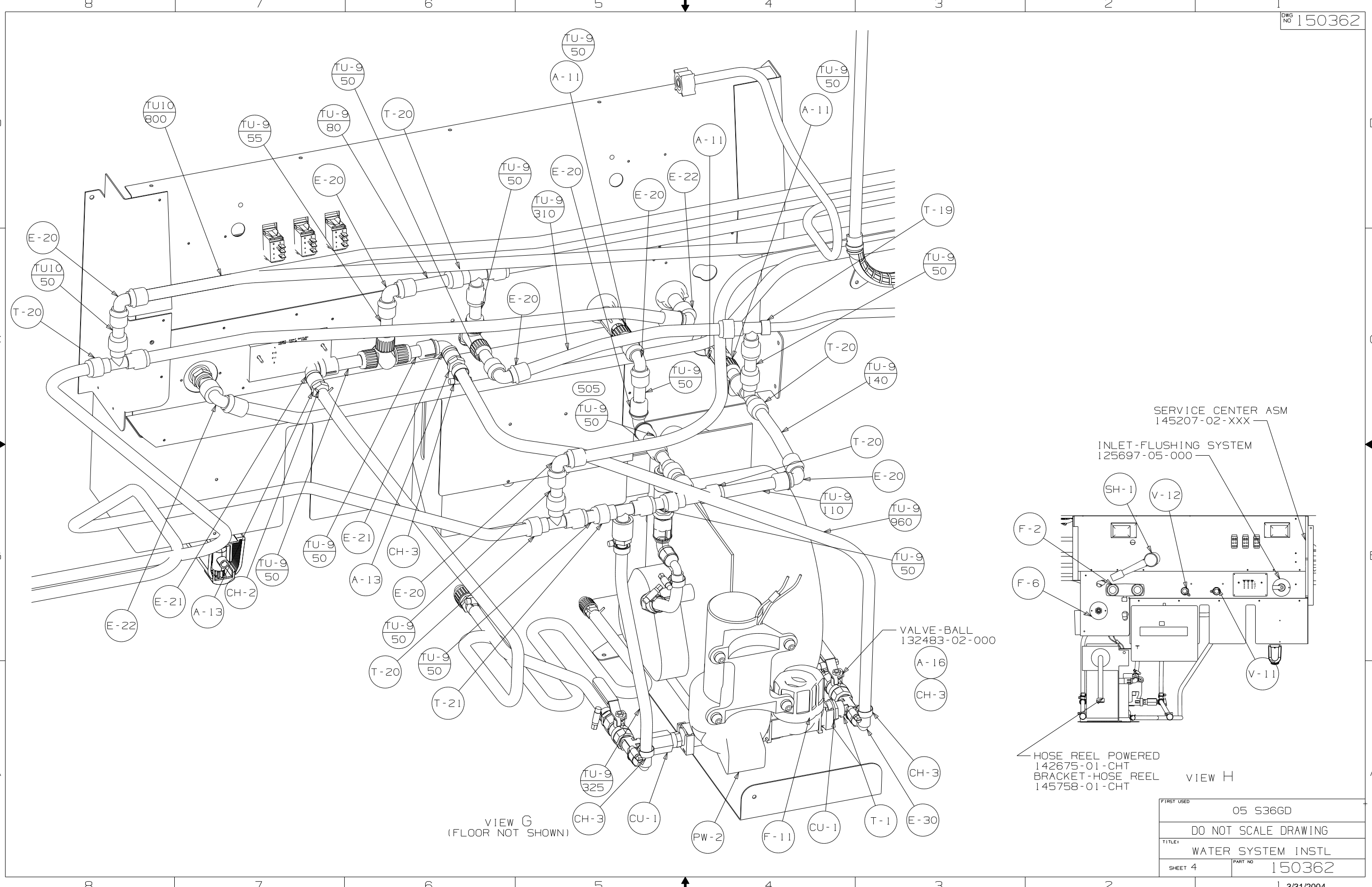
VIEW B
9B1 43H

FILTER 29B
87200-01-000
CARTRIDGE
87200-02-000
SCREW
G67-10-12U (2)

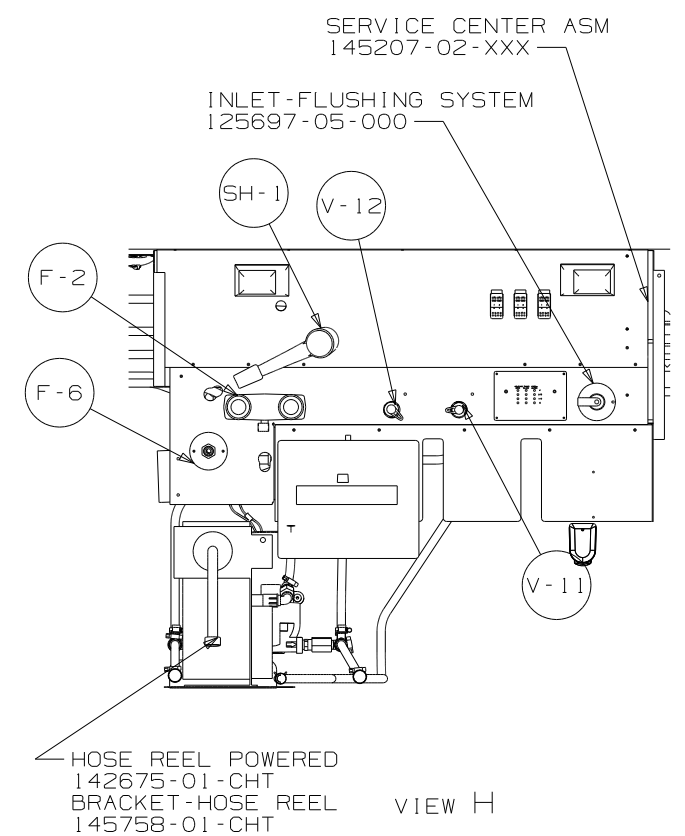
VIEW A

VIEW C

FIRST USED	05 S36GD
TITLE	DO NOT SCALE DRAWING
SHEET 2	PART NO 150362
1 3/31/2004	



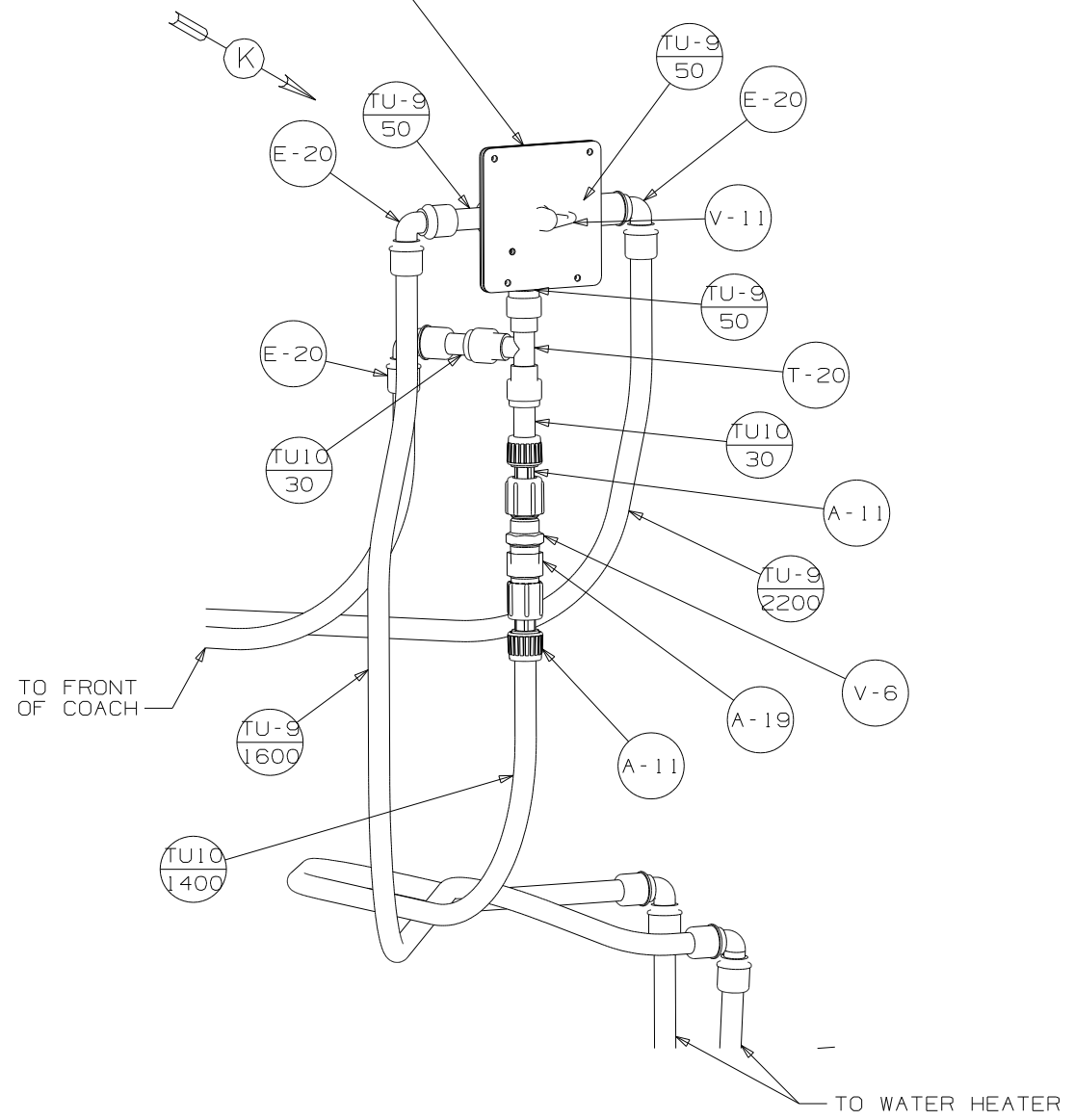
VIEW G
(FLOOR NOT SHOWN)



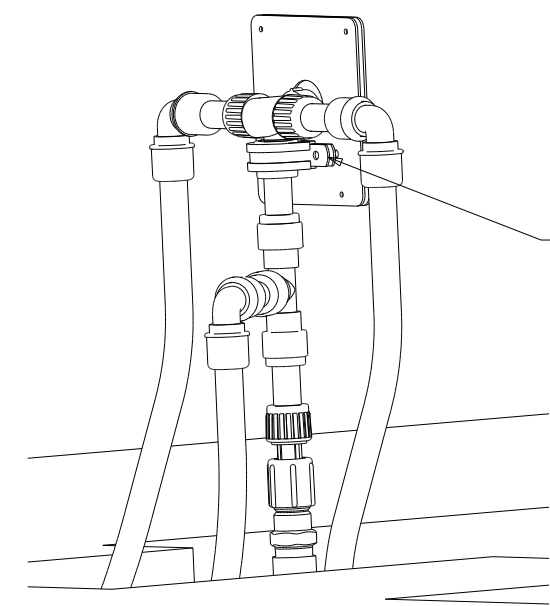
VIEW H

FIRST USED	05 S36GD
TITLE	DO NOT SCALE DRAWING
TITLE	WATER SYSTEM INSTL
SHEET 4	PART NO 150362

BRACKET - VALVE, BYPASS, HEATER
148737-01-CHT
148737-02-CHT



VIEW J



VIEW K

FIRST USED	05 S36GD
TITLE	DO NOT SCALE DRAWING
SHEET 5	PART NO 150362
	1 3/31/2004