



DANGER

Danger of electrical shock, burns or death. Always remove all power sources before attempting any repair, service or diagnostic work. Power can be present from shore power, generator, inverter or battery. All power sources must be disabled and secured before performing any service.

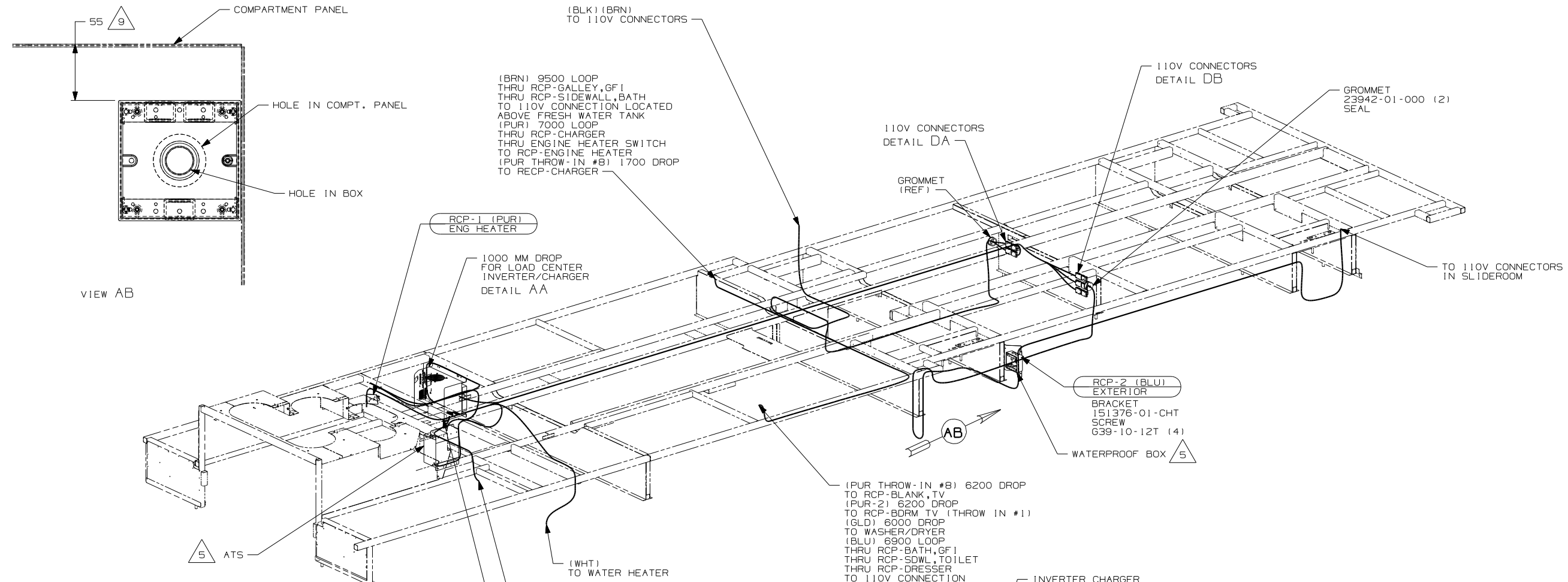


CAUTION

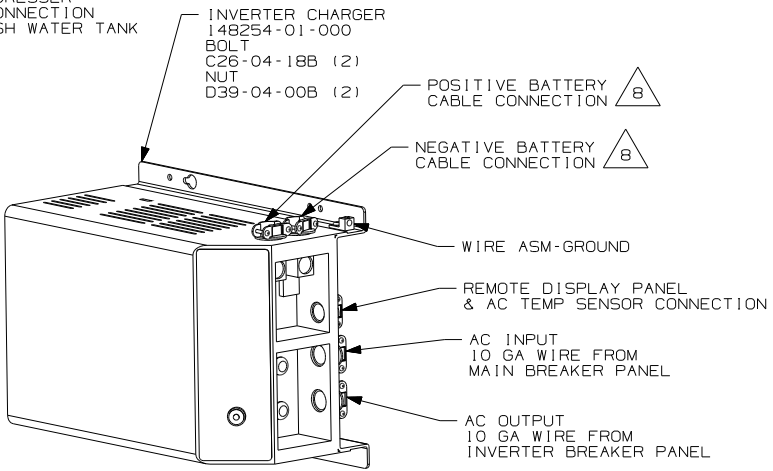
If you lack the skills, tools or equipment to perform diagnostic or repair work leave such work to an authorized Winnebago Industries dealer or other qualified shop.

DRAWING NO.	
150998-12	(1B1) (78J)
150998-14	(1B1) (78J) (13X)
150998-16	(265) (78J)
150998-18	(265) (78J) (13X)

RELEASE	REV/DATE	DWG NO
	A	150998
REV ZONE	REVISION RECORD	DATE
		DFTR-0016



VIEW AB



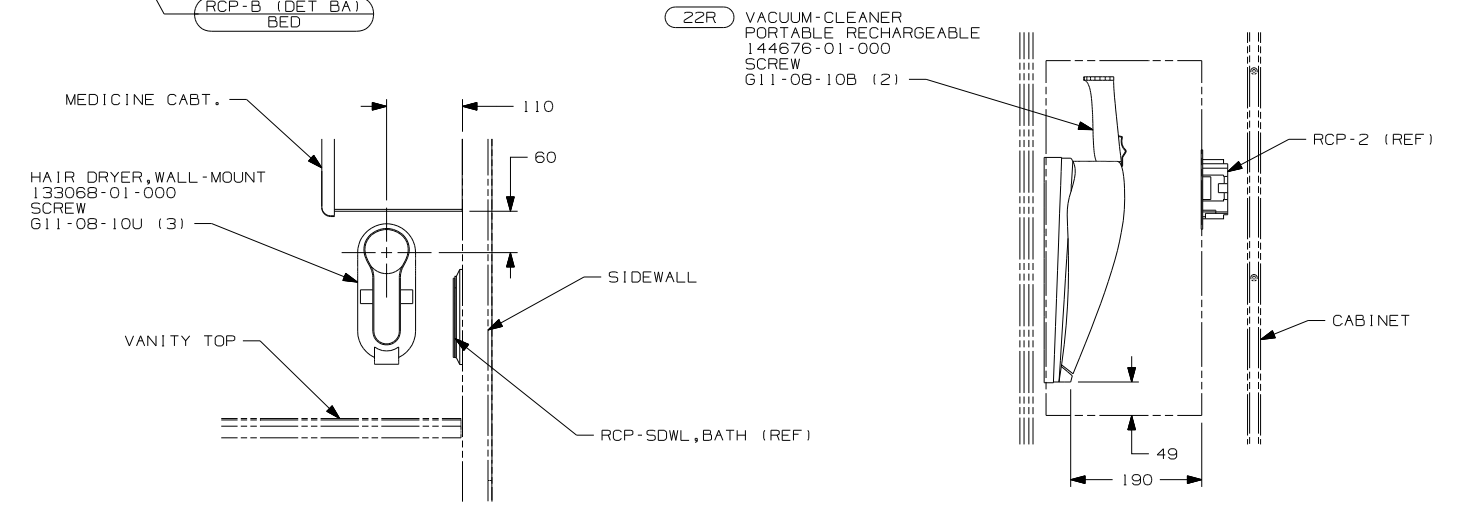
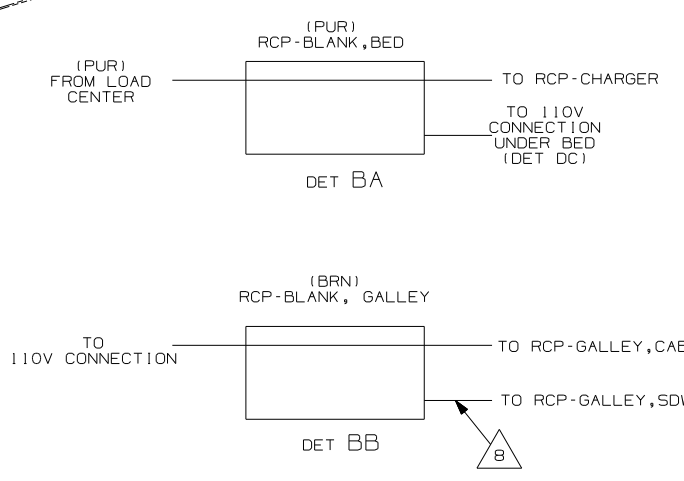
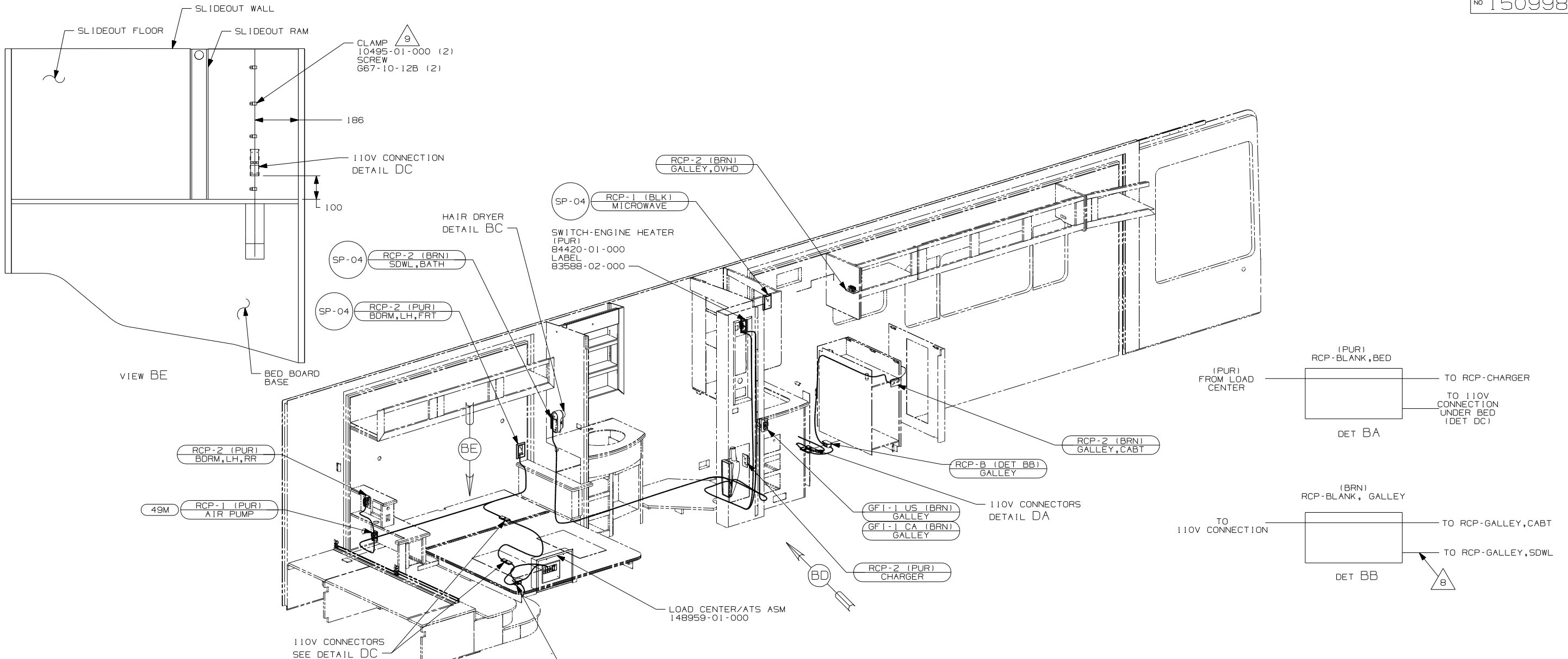
DETAIL AA (13X)

- (78J) ELECTRICAL SYSTEM-50 AMP
- (13X) INVERTER/CHARGER 2.0 KW
- (265) CODES/STANDARDS-CSA/CMVSS
- (1B1) CODES/STANDARDS USA

- 9 WATERPROOF BOX MUST NOT BE MOUNTED ANY HIGHER THAN DIMENSION SHOWN.
- 8 SEE WIRING INSTL.-CHASSIS FOR ADDITIONAL INFORMATION.
- 7 WIRES ROUTED THROUGH FLOOR IN THIS AREA.
- 6 SEE GENERATOR INSTALLATION FOR ADDITIONAL INFORMATION.
- 5 FOR MORE INFORMATION SEE LOAD CENTER/ATS ASM.
- 4 FOR MORE INFORMATION SEE WIRING DIAGRAM-BODY,110V.
- 3 ALL GROUND WIRE TO BE COVERED WITH TUBING 8041-02-000.
- 2 ALL 110V WIRE TO BE CLAMPED WITH CLAMP 10497-05-000 WITHIN 200MM OF OUTLET BOXES, USE SCREW G67-10-12B
- 1 ALL WIRES TO SECURED WITH CLAMP 10495 OR 10497 OR WIRE TIE 8343 OR 108046 EVERY 600MM. USE SCREW G67-XX-XXX OR G56-XX-XXX AS APPROPRIATE FOR INSTALLATION.

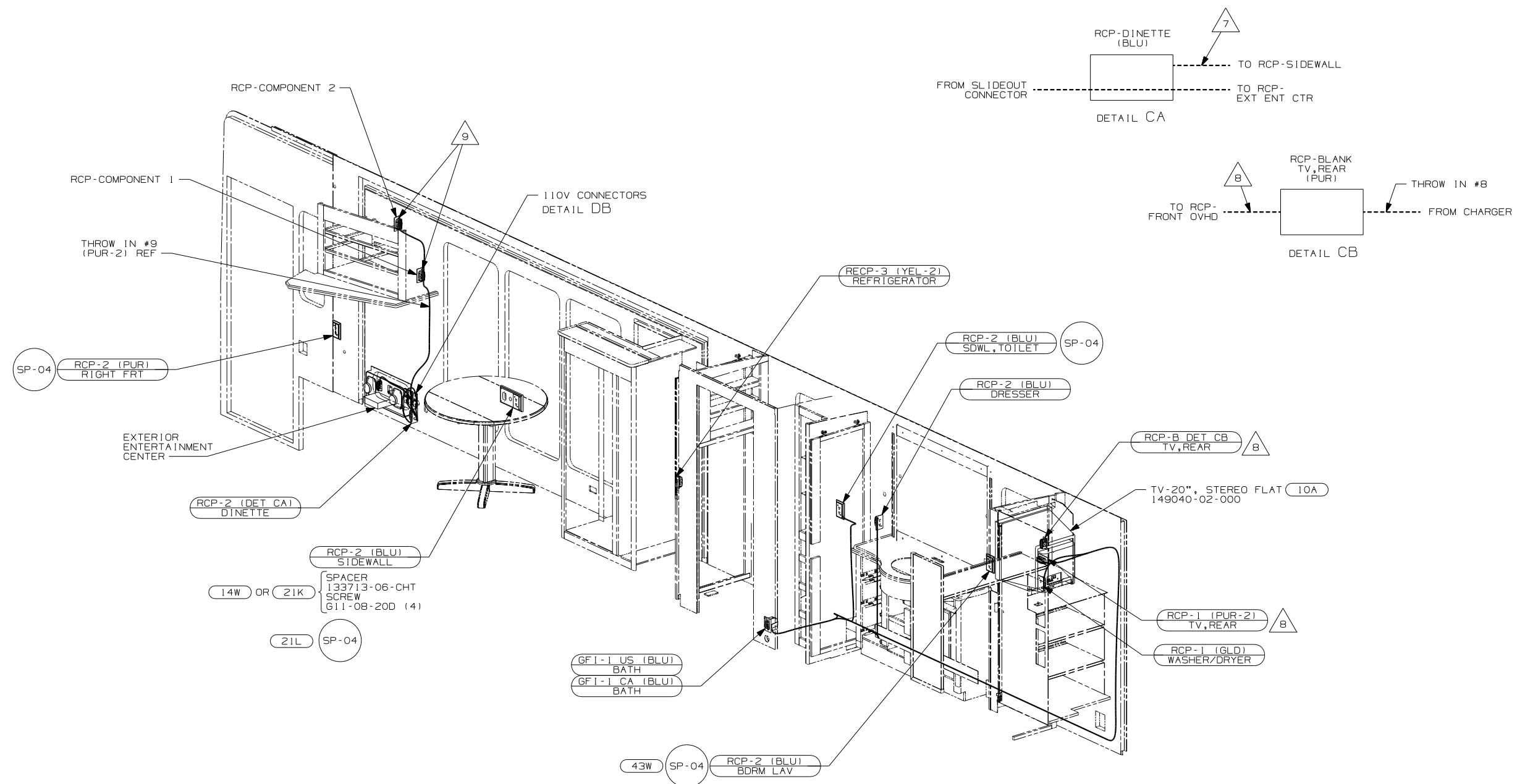
WINNEBAGO		COPYRIGHT 2004 WINNEBAGO INDUSTRIES, INC.	
DFTR	ORIG. DATE		
CHKR	ALL DIMENSIONS ARE IN MILLIMETERS		
P.E.			
M.E.	FIRST USED	05 P39F	
DSNR			
UNSPECIFIED TOLERANCES ARE:		MATERIAL:	
WHOLE DIM (X)	:		
ONE-PLACE (X.X)	:		
TWO-PLACE (X.XX)	:		
ANGLE	:		
THIRD ANGLE PROJECTION			
DO NOT SCALE DRAWING			
TITLE: WRING INSTL.-BODY,110V			
SHEET 1 of 4	PART NO	150998	
REF: NONE		1 9/28/2004	

NOTES:



- NOTES:
- 9 PLACE CLAMP NO MORE THAN 150mm FROM 110V CONNECTOR.
 - 8 WIRE IN ROOF.
 - 7 WIRE IN SIDEWALL.
 - 6 WIRE ROUTED THROUGH FLOOR AT THIS POINT.
 - 5 FOR MORE INFORMATION SEE LOAD CENTER/ATS ASM.
 - 4 FOR MORE INFORMATION SEE WIRING DIAGRAM-BODY,110V.
 - 3 ALL GROUND WIRE TO BE COVERED WITH TUBING 8041-02-000.
 - 2 ALL 110V WIRE TO BE CLAMPED WITH CLAMP 10497-05-000 WITHIN 200MM OF OUTLET BOXES, USE SCREW G67-10-12B.
 - 1 ALL WIRES TO SECURED WITH CLAMP 10495 OR 10497 OR WIRE TIE 8343 OR 108046 EVERY 600MM. USE SCREW G67-XX-XXX OR G56-XX-XXX AS APPROPRIATE FOR INSTALLATION.

(9A1)	ACCESSORY PACKAGE
(51B)	HAIR DRYER
(49M)	SLEEP NUMBER BED-QUEEN SIZE
(22R)	VACUUM CLEANER-PORTABLE
(265)	CODES/STANDARDS-CSA/CMVSS
(1B1)	CODES/STANDARDS USA
(1B1)	(265)
FIRST USED	05 P39F
TITLE	DO NOT SCALE DRAWING
	WRING INSTL.-BODY,110V
SHEET 2	PART NO 150998



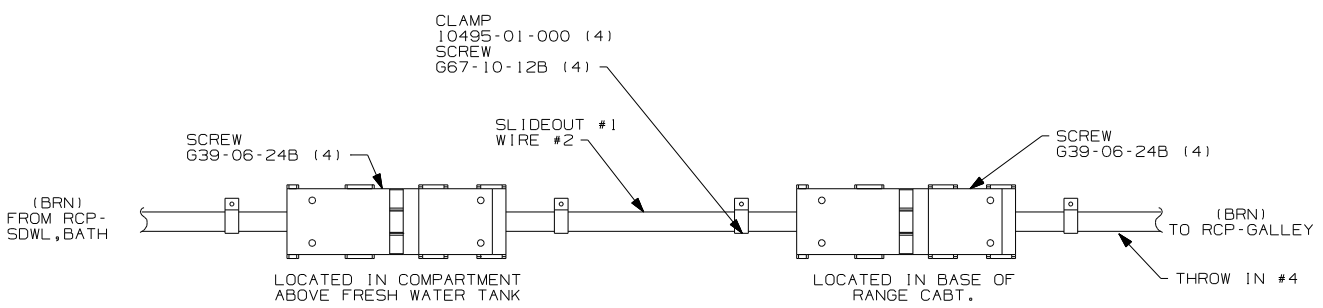
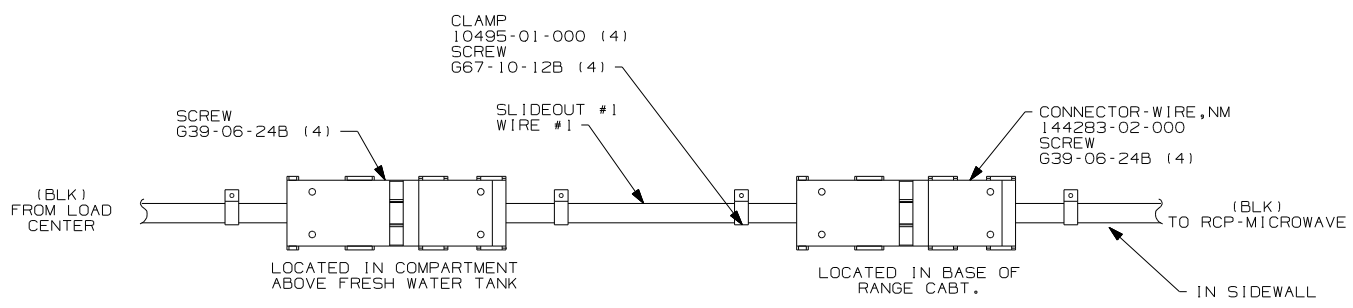
- 9 SEE WIRING INSTL-TV/VCR,SIDE FOR ADDITIONAL INFORMATION.
- 8 WIRE IN ROOF.
- 7 WIRE IN SIDEWALL.
- 6 WIRE ROUTED THROUGH FLOOR AT THIS POINT.
- 5 FOR MORE INFORMATION SEE LOAD CENTER/ATS ASM.

4. FOR MORE INFORMATION SEE WIRING DIAGRAM-BODY,110V.
3. ALL GROUND WIRE TO BE COVERED WITH TUBING 8041-02-000.
2. ALL 110V WIRE TO BE CLAMPED WITH CLAMP 10497-05-000 WITHIN 200MM OF OUTLET BOXES, USE SCREW G67-10-12B.
1. ALL WIRES TO SECURED WITH CLAMP 10495 OR 10497 OR WIRE TIE 8343 OR 108046 EVERY 600MM. USE SCREW G67-XX-XXX OR G56-XX-XXX AS APPROPRIATE FOR INSTALLATION.

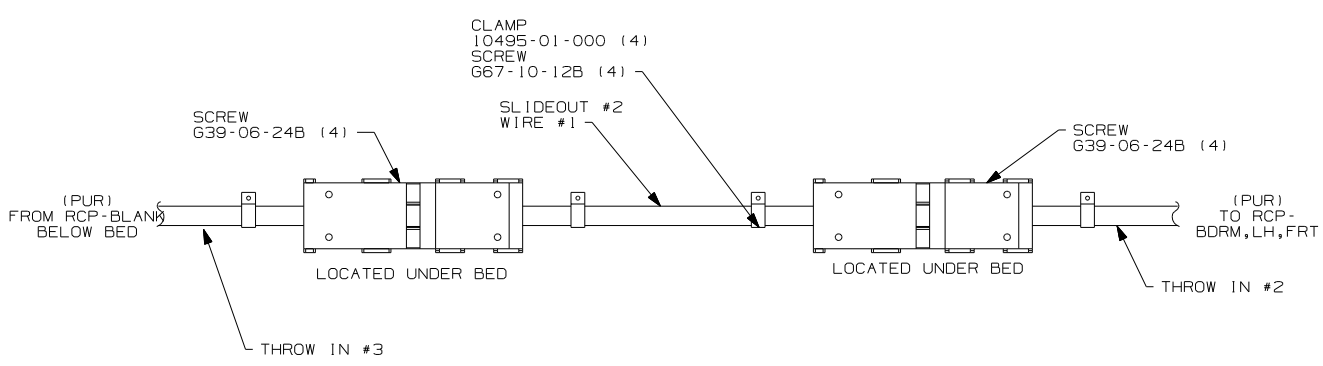
NOTES:

- 21K DINING/COMPUTER TABLE/CHAIRS
- 14W DINETTE
- 21L DINING TABLE/CHAIRS
- 10A TV (REAR)-20\"COLOR, STEREO
- 265 CODES/STANDARDS-CSA/CMVSS
- 1B1 CODES/STANDARDS USA

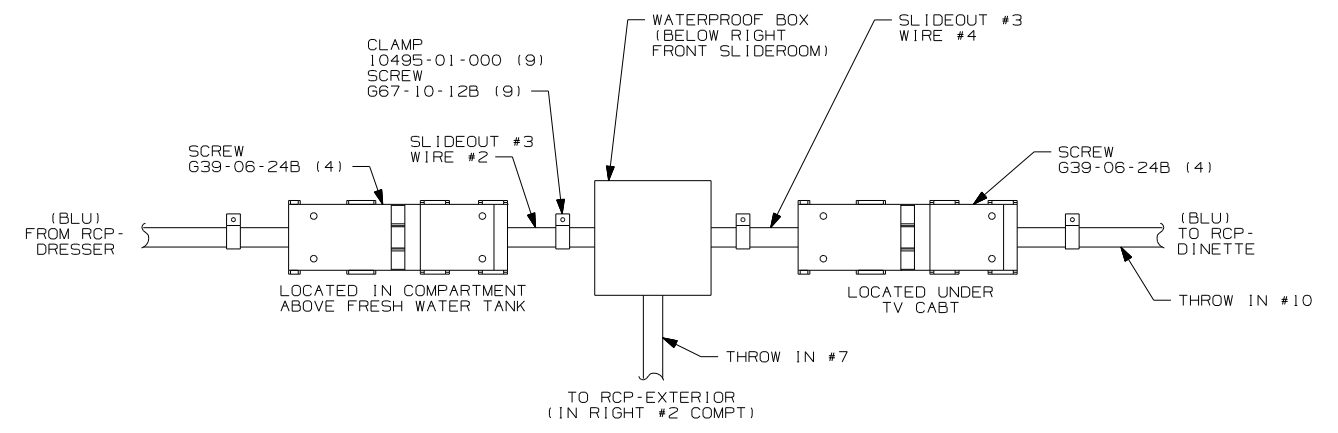
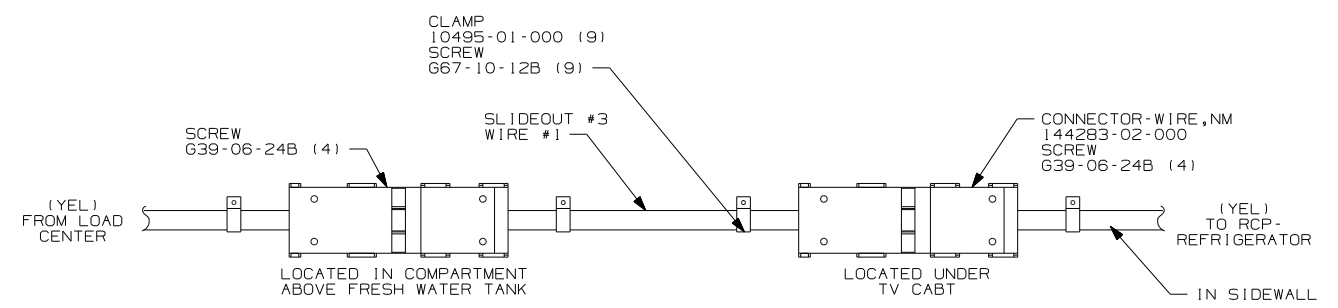
FIRST USED	
05 P39F	
DO NOT SCALE DRAWING	
TITLE	
WRING INSTL.-BODY,110V	
SHEET 3	PART NO
	150998



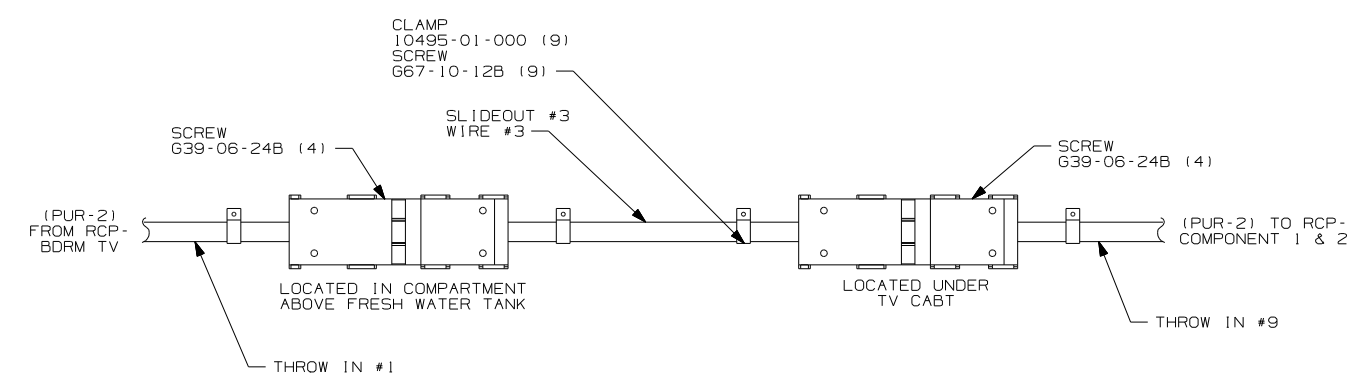
DETAIL DA



DETAIL DC



DETAIL DB



FOR ELECTRICAL TORQUE SPECIFICATIONS SEE DWG NO. 128783-01-000

(X-X)

FOR ELECTRICAL CALLOUTS SEE DWG NO. 121339-01-000

FIRST USED	05 P39F
TITLE	DO NOT SCALE DRAWING
TITLE	WRING INSTL.-BODY,110V
SHEET 4	PART NO 150998
	1 9/28/2004