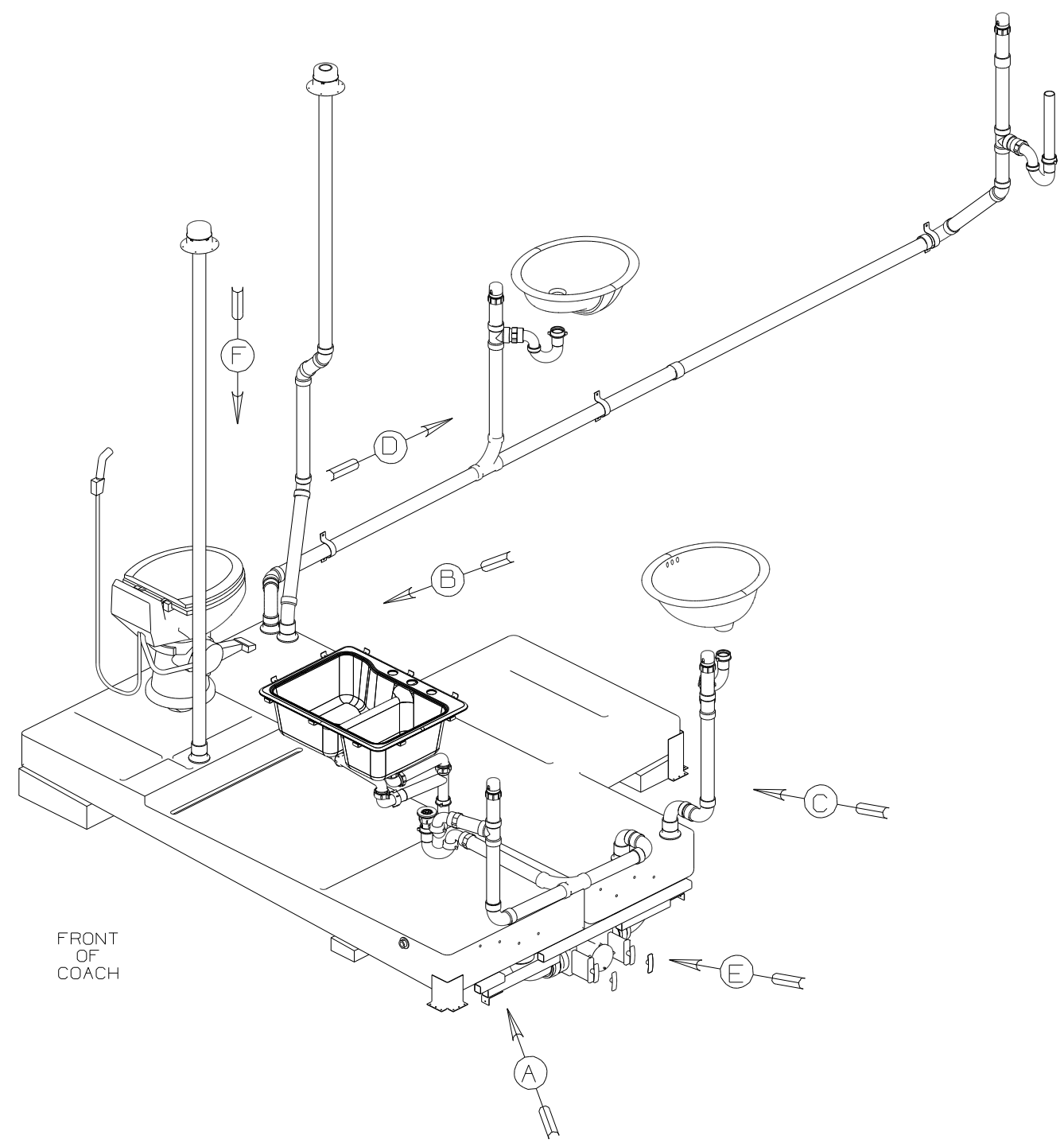


DWG NO	----
150804-01	(WIN)
150804-02	(ITA)

RELEASE	REV DATE	DWG NO
A		150804
REV ZONE	REVISION RECORD	DATE
		DFTR-ORIG



- (WIN) WINNEBAGO ONLY
- (ITA) ITASCA ONLY
- (IB1) CODES/STANDARDS-USA
- (265) CODES/STDS-CSA/CMVSS
- (54E) WASHER/DRYER
- (21M) WASHER/DRYER PREP
- (43M) TOILET PORCELAIN-ROUND ELONGATED
- (43Q) TOILET-PORCELAIN
- (43W) CABINET-LAVATORY
- (43V) CABINET-CHEST OF DRAWERS

- 8 VENT PIPE MUST PROJECT 51 MIN AND 64 MAX. ABOVE ROOF FOR PROPER FIT AND FUNCTION.
7. SEE DWG 61607-01-000 FOR INSTL OF GROMMETS.
6. SEAL ALL AROUND SHOWER WITH SILICONE.
- 5 SECURE VENT TUBES TO FLOOR WITH BRACKET.
4. ALL EXTERIOR OPENINGS AROUND PIPE TO BE SEALED WITH 110744-01-000.
3. ALL PIPE AND FITTINGS TO BE ASSEMBLED WITH SOLVENT 4020-01-000 (US), 4020-02-000 (CAN).
2. SLOPE OF TRAP ARM MUST BE 6 PER 305 MM.
1. SLOPE OF HORIZONTAL PIPING TO BE 6 PER 305 mm.

NOTES:

(X-X)
FOR
DRAINAGE
CALLOUTS
SEE DWG NO
116229-01-000

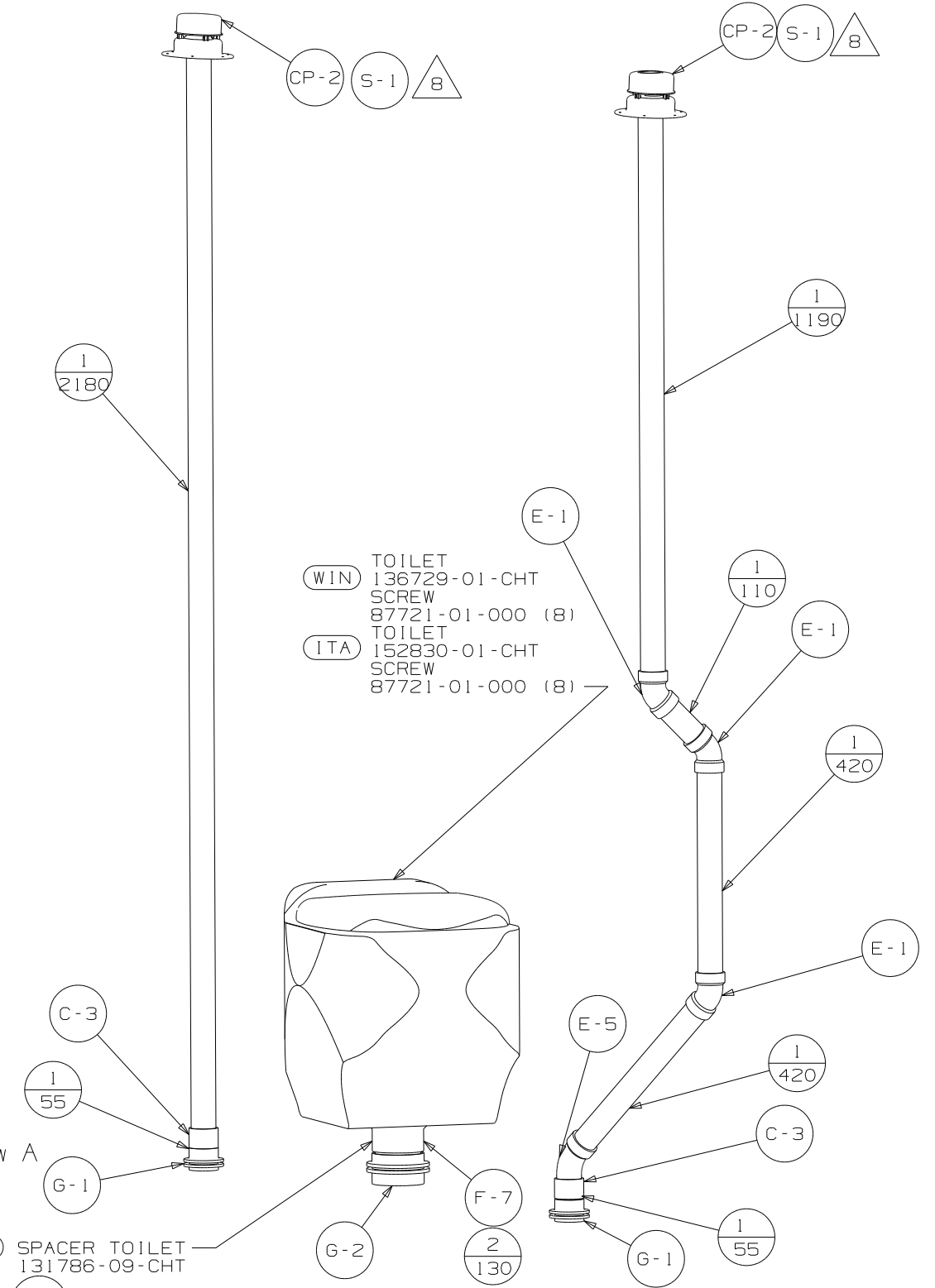
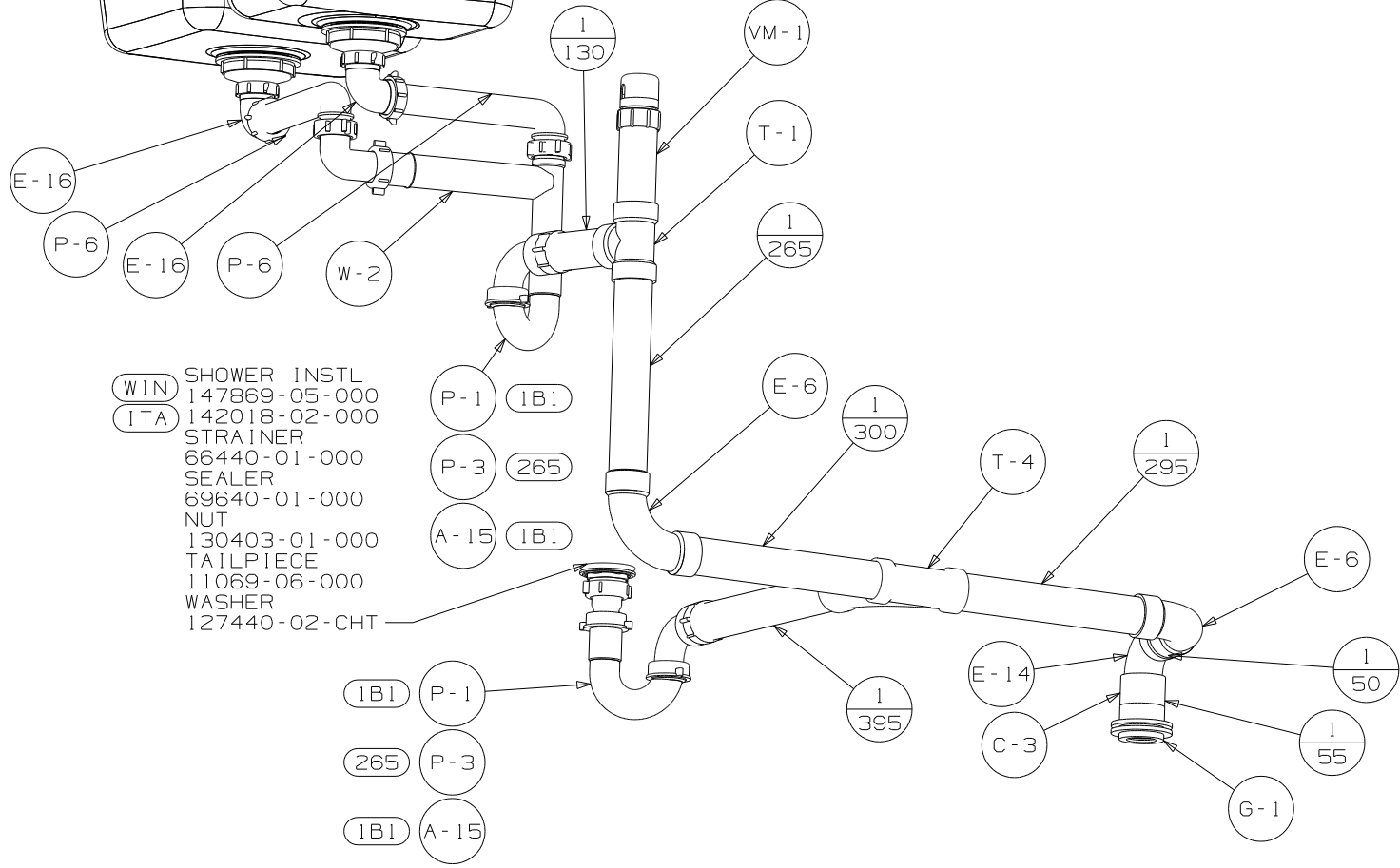
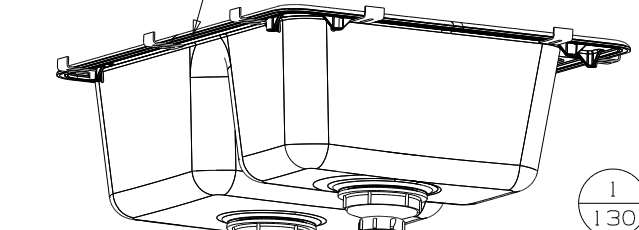
WINNEBAGO		COPYRIGHT 2005 WINNEBAGO INDUSTRIES, INC.	
DFTR	ORIG. DATE	ALL DIMENSIONS ARE IN MILLIMETERS	
CHKR		FIRST USED	
P.E.		05 P39F	
M.E.		UNSPECIFIED TOLERANCES ARE:	
DSNR		MATERIAL:	
		WHOLE DIM (X)	: 3
		ONE-PLACE (X.X)	:
		TWO-PLACE (X.XX)	:
		ANGLE	:
THIRD ANGLE PROJECTION		DO NOT SCALE DRAWING	
TITLE: DRAINAGE SYSTEM INSTL			
SHEET 1 OF 4		PART NO 150804	

SINK - GALLEY
 148870-01-CHT
 STRAINER
 92303-01-000 (2)
 SEAL
 91255-02-000 (A/R)
 WASHER - RUBBER
 127440-02-CHT (2)
 ANGLE - FORMED
 140002-01-CHT (10)
 SCREW
 G67-10-08U (10)

WIN SHOWER INSTL
 147869-05-000
 ITA 142018-02-000
 STRAINER
 66440-01-000
 SEALER
 69640-01-000
 NUT
 130403-01-000
 TAILPIECE
 11069-06-000
 WASHER
 127440-02-CHT

WIN TOILET
 136729-01-CHT
 SCREW
 87721-01-000 (8)
 ITA TOILET
 152830-01-CHT
 SCREW
 87721-01-000 (8)

ITA SPACER TOILET
 131786-09-CHT
 WIN SP-3



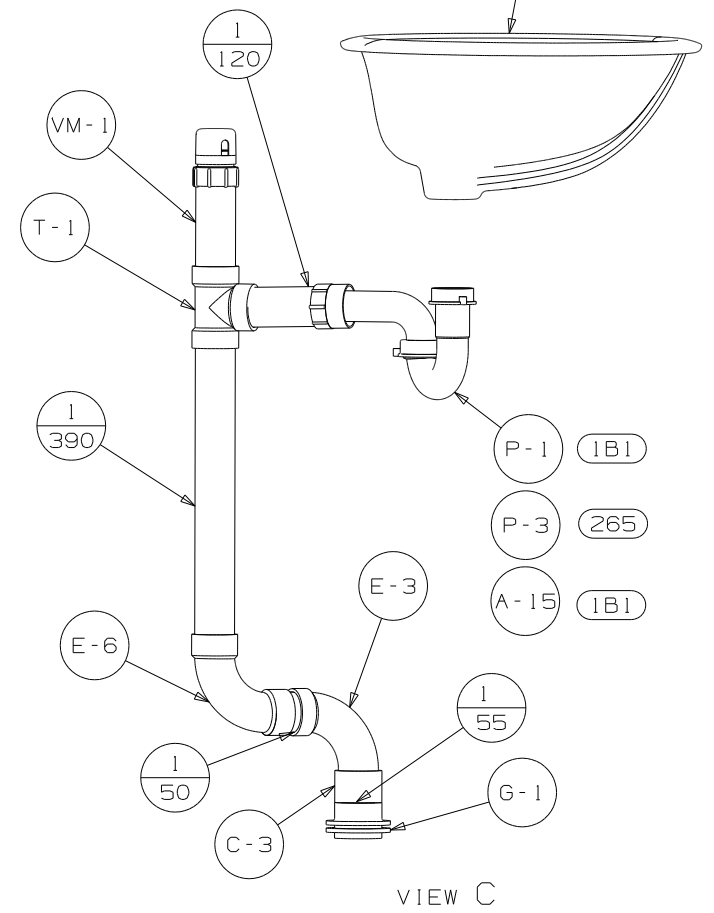
VIEW A

VIEW B

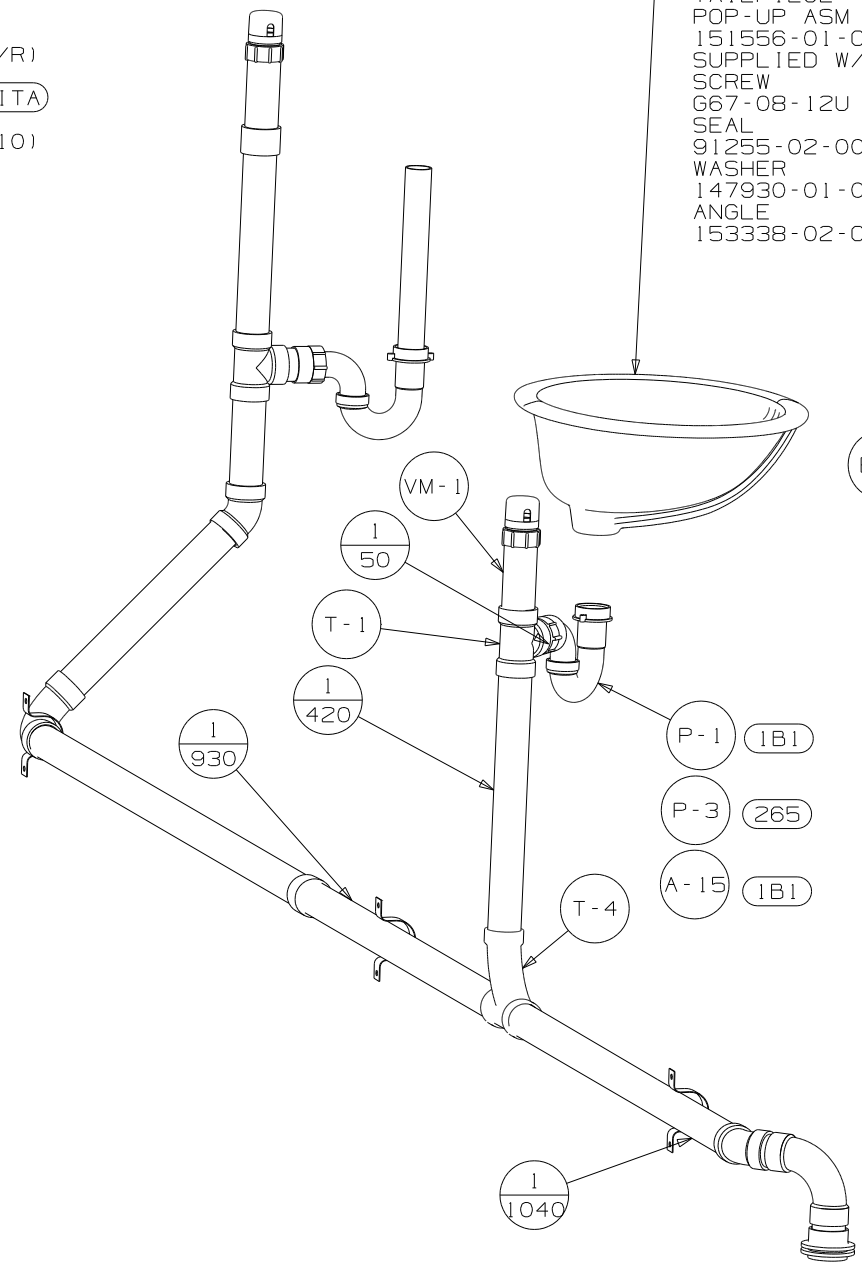
FIRST USED	05 P39F
DO NOT SCALE DRAWING	
TITLE	DRAINAGE SYSTEM INSTL
SHEET 2	PART NO 150804

SINK
 155318-01-CHT
 TAILPIECE
 POP-UP ASM
 151556-01-CHT (WIN)
 SUPPLIED W/FAUCET (ITA)
 SCREW
 G67-08-12U (20)
 SEAL
 91255-02-000 (A/R)
 WASHER
 147930-01-000 (ITA)
 ANGLE
 153338-02-CHT (10)

SINK
 155318-01-CHT
 TAILPIECE
 POP-UP ASM
 151556-01-CHT (WIN)
 SUPPLIED W/FAUCET (ITA)
 SCREW
 G67-08-12U (20)
 SEAL
 91255-02-000 (A/R)
 WASHER
 147930-01-000 (ITA)
 ANGLE
 153338-02-CHT (10)

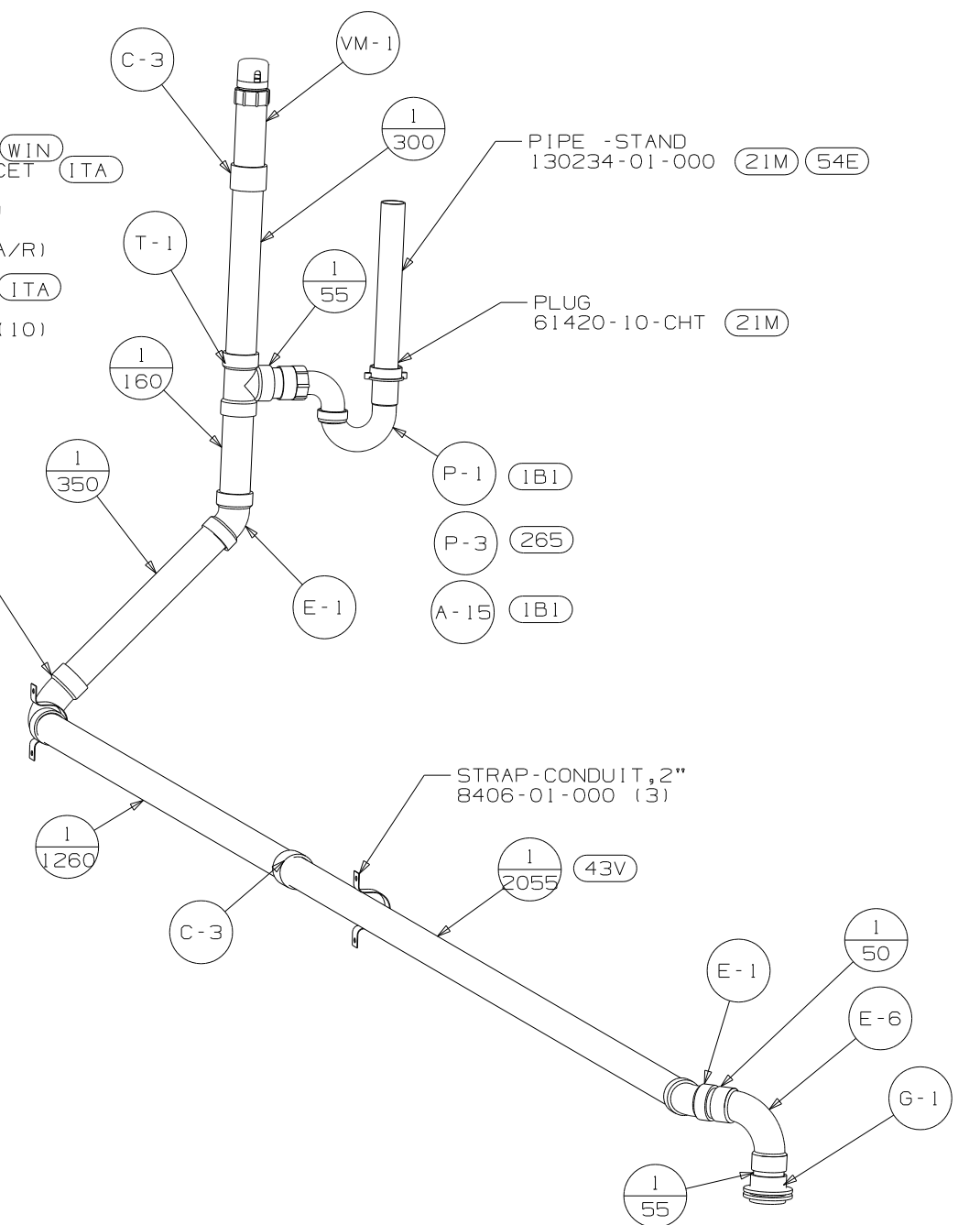


VIEW C



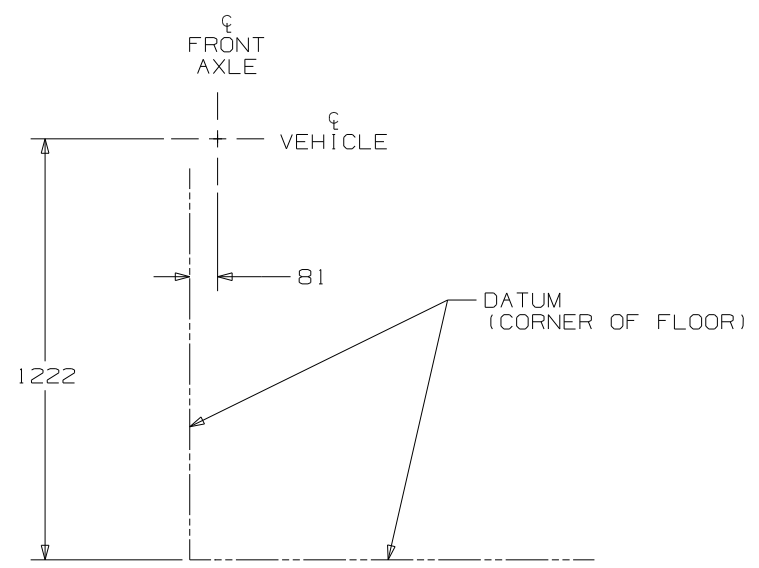
VIEW D

(43W)

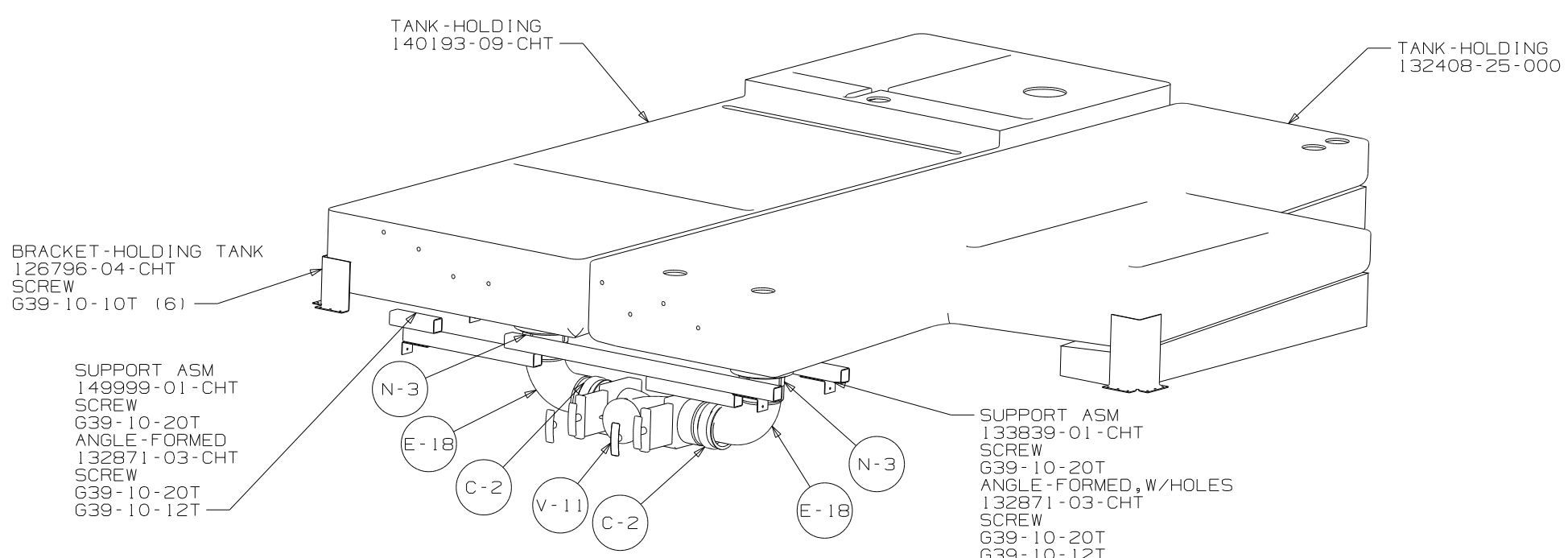
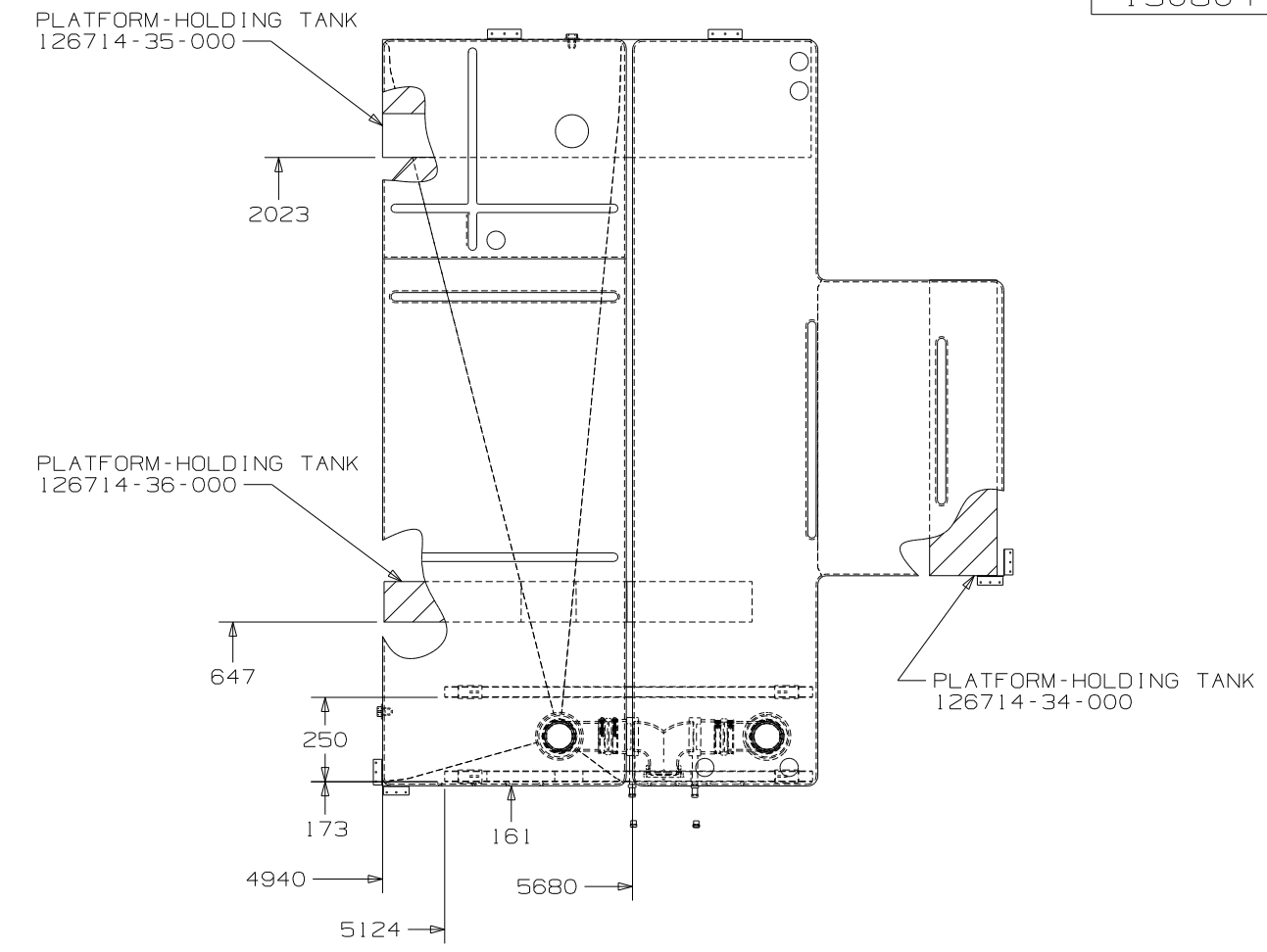


VIEW D

FIRST USED	05 P39F
DO NOT SCALE DRAWING	
TITLE	DRAINAGE SYSTEM INSTL
SHEET 3	PART NO 150804



VIEW F

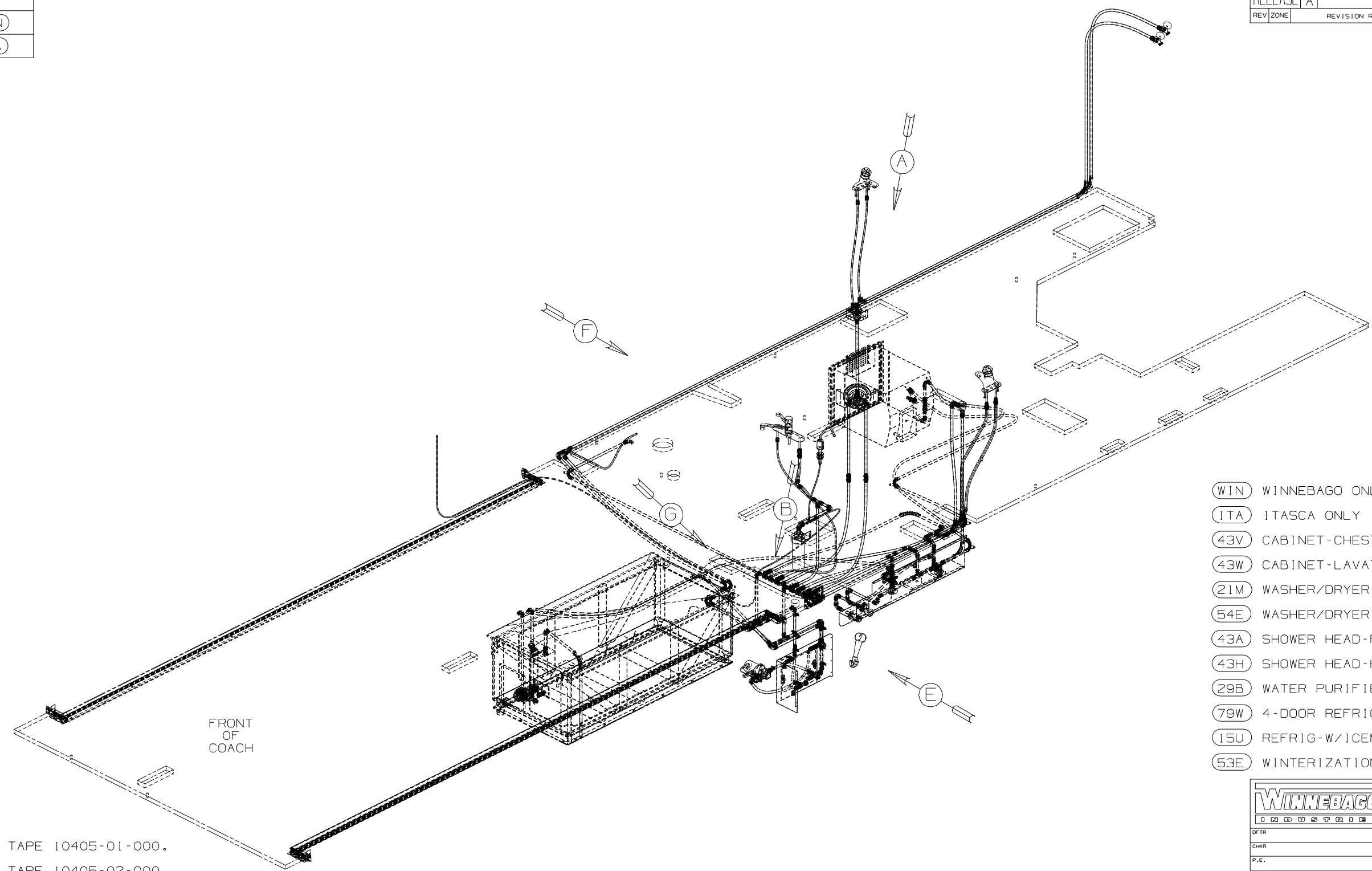


VIEW E

FIRST USED	05 P39F
DO NOT SCALE DRAWING	
TITLE	DRAINAGE SYSTEM INSTL
SHEET 4	PART NO 150804

DWG NO	--
150803-01	(WIN)
150803-02	(ITA)

RELEASE	REV DATE	DWG NO
A		150803
REV ZONE	REVISION RECORD	DATE

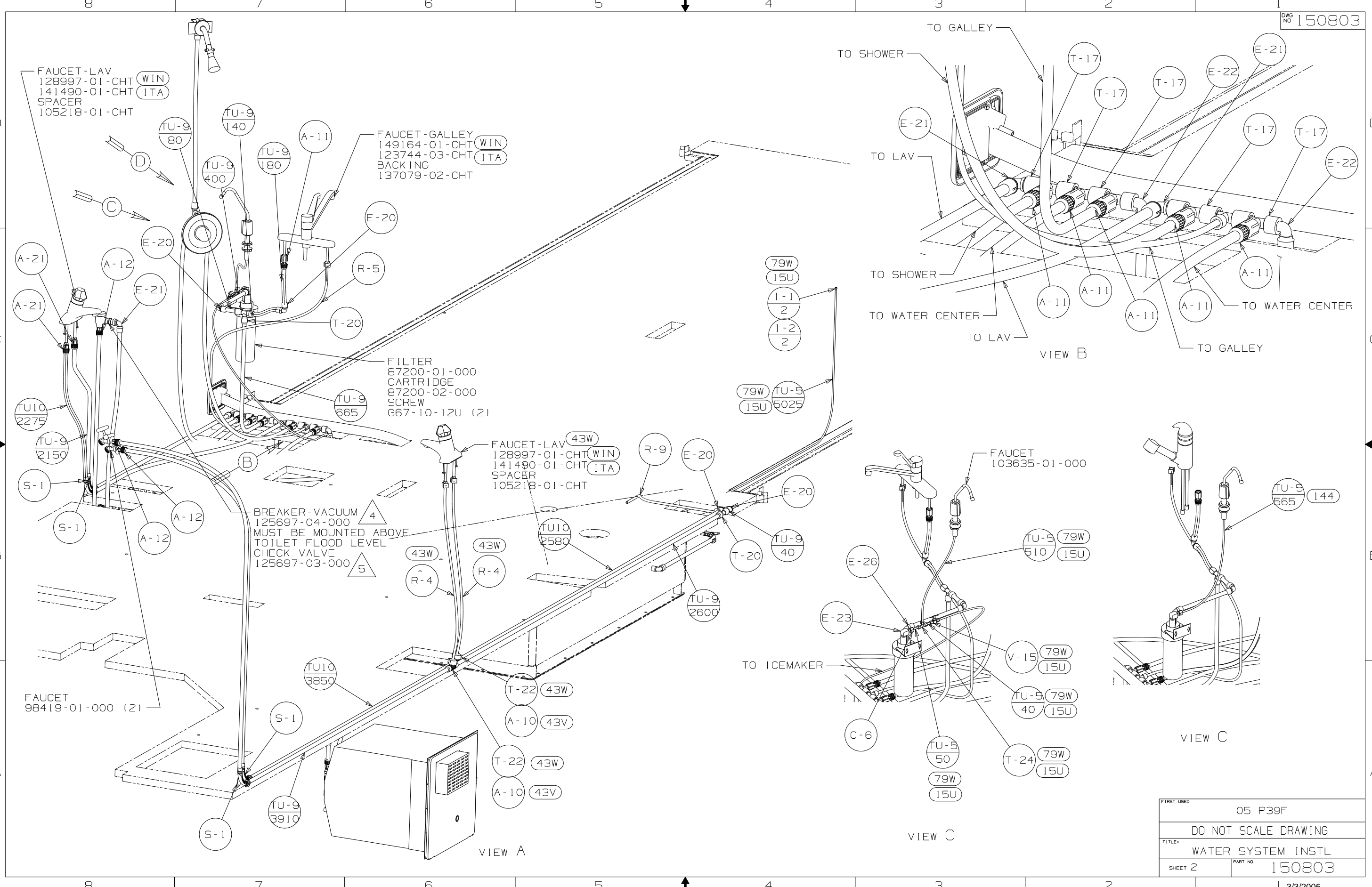


- (WIN) WINNEBAGO ONLY
- (ITA) ITASCA ONLY
- (43V) CABINET-CHEST OF DRAWERS
- (43W) CABINET-LAVATORY
- (21M) WASHER/DRYER PREP
- (54E) WASHER/DRYER
- (43A) SHOWER HEAD-FIXED
- (43H) SHOWER HEAD-HAND HELD
- (29B) WATER PURIFIER
- (79W) 4-DOOR REFRIGERATOR
- (15U) REFRIG-W/ICEMAKER
- (53E) WINTERIZATION PACKAGE

- NOTES:
- 6. ADD TEFLON TAPE 10405-01-000.
 - 5. ADD TEFLON TAPE 10405-02-000.
 - 4. FLUSHING SYSTEM REQUIRES 125697-06-000 INSTRUCTION SHEET.
 - 3. ALL TUBING TO BE SECURED AT 1200 INTERVALS MAXIMUM WITH CLAMP 10495-01-000 OR CLIP 9151-01-000 AND SCREW G67-10-12B.
 - 2. TUBING TO BE INSTALLED WITH SUFFICIENT SLOPE TO PROVIDE DRAINAGE TO NEAREST VALVE.
 - 1. PLASTIC FITTINGS TO BE SEALED WITH SEALANT 84456-01-000.

(X-X)
FOR
WATER
CALLOUTS
SEE DWG NO
116230-01-000

WINNEBAGO		COPYRIGHT 2005 WINNEBAGO INDUSTRIES, INC.	
DFT	ORIG. DATE	ALL DIMENSIONS ARE IN MILLIMETERS	
CHKR		MATERIAL:	
P.E.		UNSPECIFIED TOLERANCES ARE:	
M.E.	FIRST USED	WHOLE DIM (X)	: 3
DSNR	05 P39F	ONE-PLACE (X.X)	: 1.5
		TWO-PLACE (X.XX)	: 0.50
		ANGLE	: 1°
THIRD ANGLE PROJECTION		DO NOT SCALE DRAWING	
TITLE: WATER SYSTEM INSTL			
SHEET 1 OF 5		PART NO 150803	
REF:		1 3/3/2005	



FAUCET-LAV
 128997-01-CHT (WIN)
 141490-01-CHT (ITA)
 SPACER
 105218-01-CHT

FAUCET-GALLEY
 149164-01-CHT (WIN)
 123744-03-CHT (ITA)
 BACKING
 137079-02-CHT

FILTER
 87200-01-000
 CARTRIDGE
 87200-02-000
 SCREW
 667-10-12U (2)

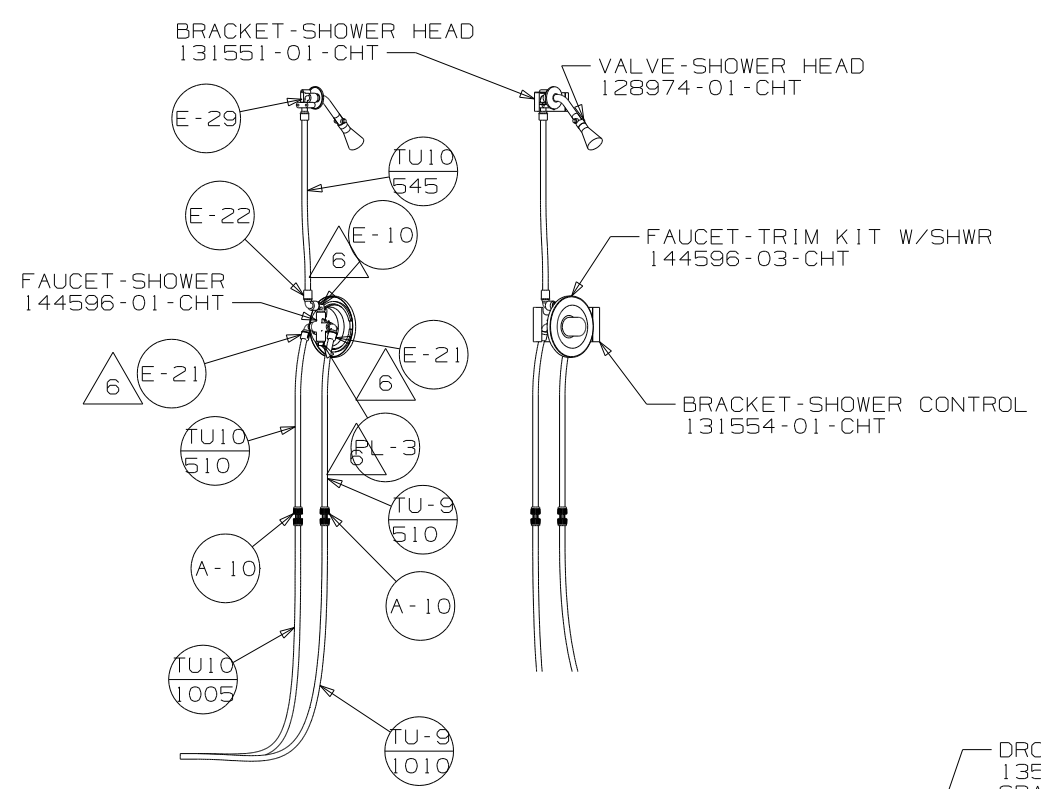
FAUCET-LAV
 128997-01-CHT (WIN)
 141490-01-CHT (ITA)
 SPACER
 105218-01-CHT

BREAKER-VACUUM
 125697-04-000
 MUST BE MOUNTED ABOVE
 TOILET FLOOD LEVEL
 CHECK VALVE
 125697-03-000

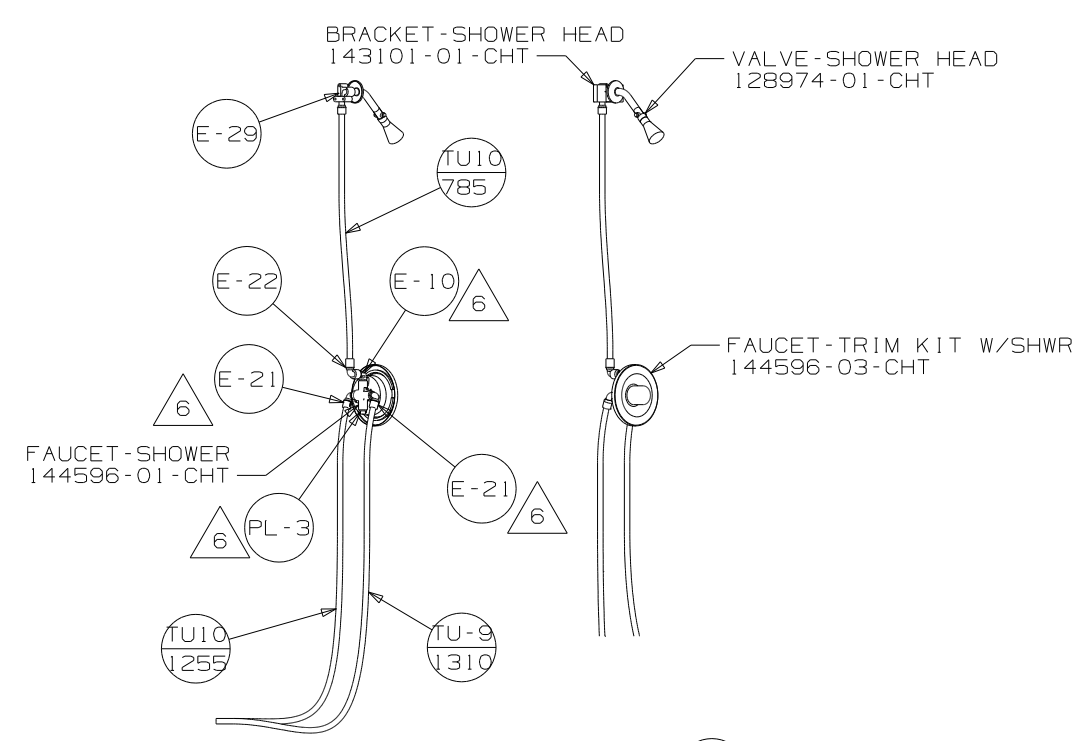
FAUCET
 98419-01-000 (2)

FAUCET
 103635-01-000

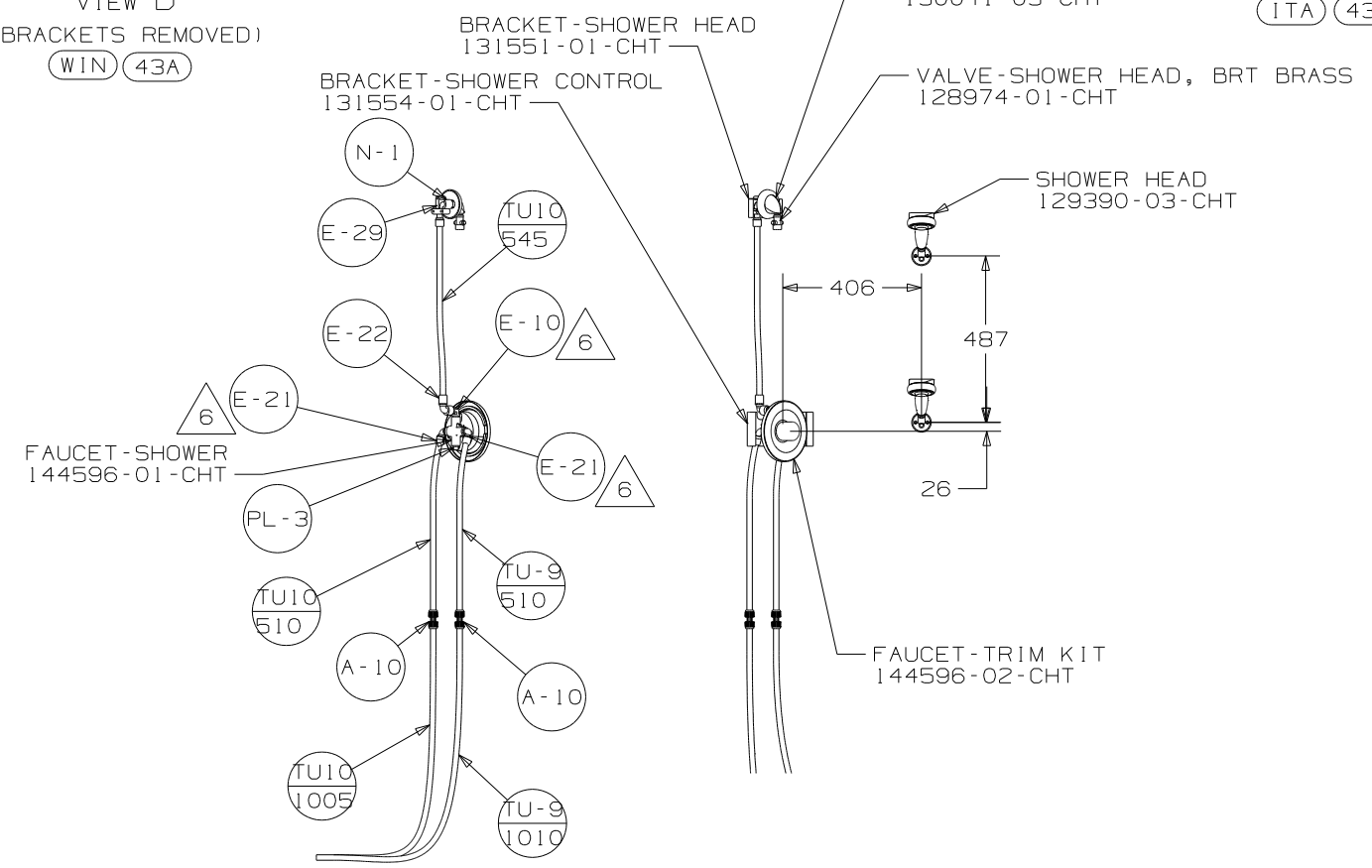
FIRST USED	05 P39F
TITLE	DO NOT SCALE DRAWING
TITLE	WATER SYSTEM INSTL
SHEET 2	PART NO 150803



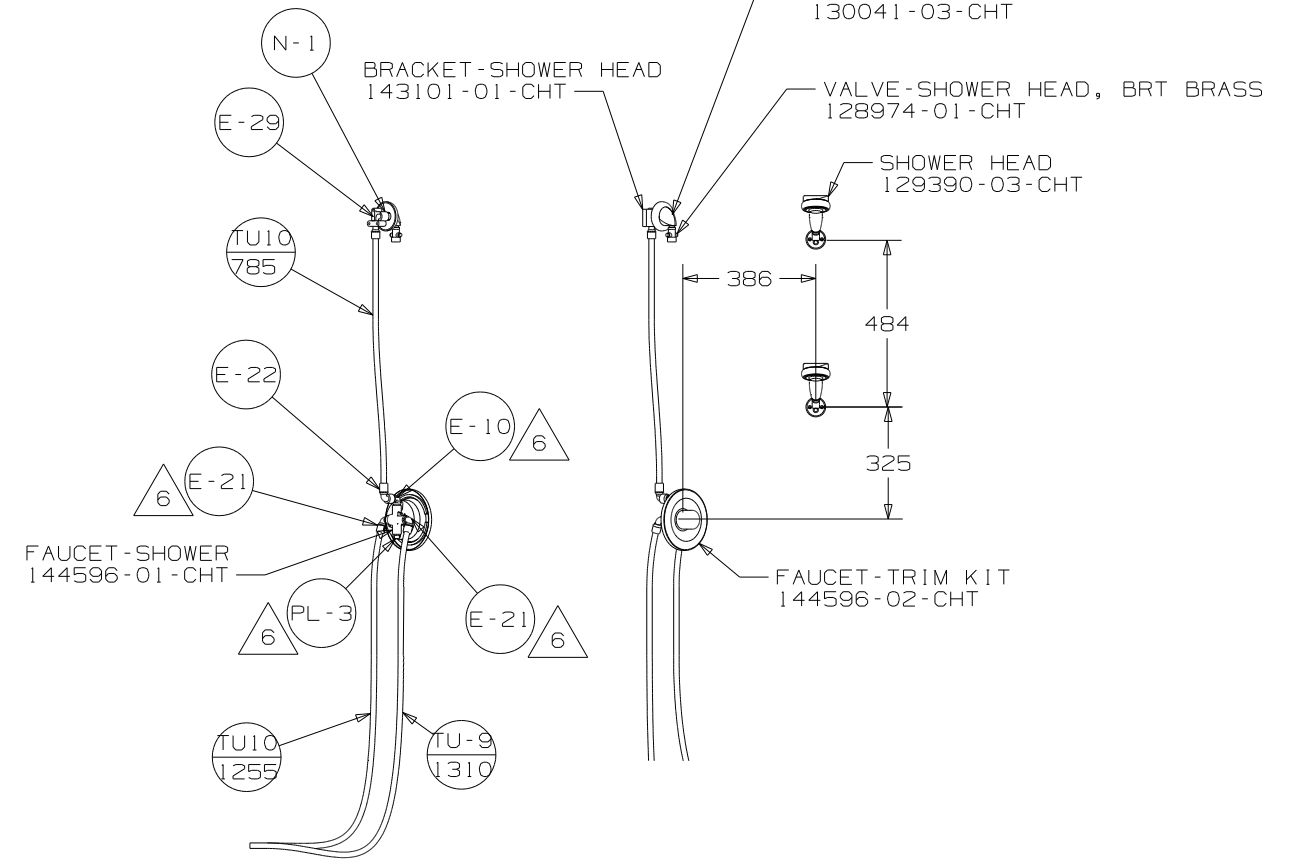
VIEW D
(BRACKETS REMOVED)
WIN 43A



VIEW D
ITA 43A

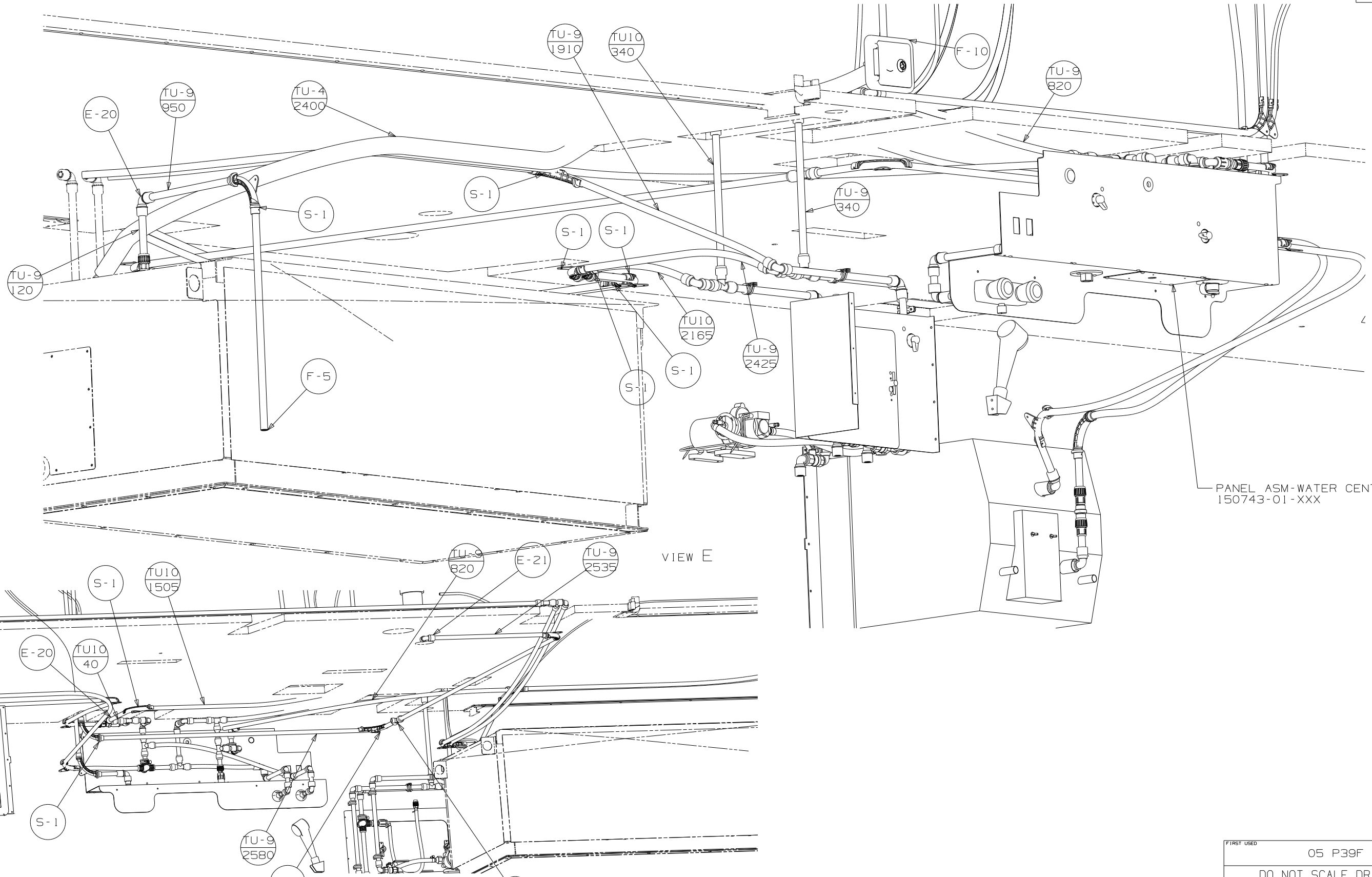


VIEW D
(BRACKETS REMOVED)
WIN 43H



VIEW D
ITA 43H

FIRST USED	05 P39F
TITLE	DO NOT SCALE DRAWING
SHEET 3	PART NO 150803



PANEL ASM-WATER CENTER
150743-01-XXX

VIEW E

VIEW F

FIRST USED	05 P39F
DO NOT SCALE DRAWING	
TITLE	WATER SYSTEM INSTL
SHEET 4	PART NO 150803

