



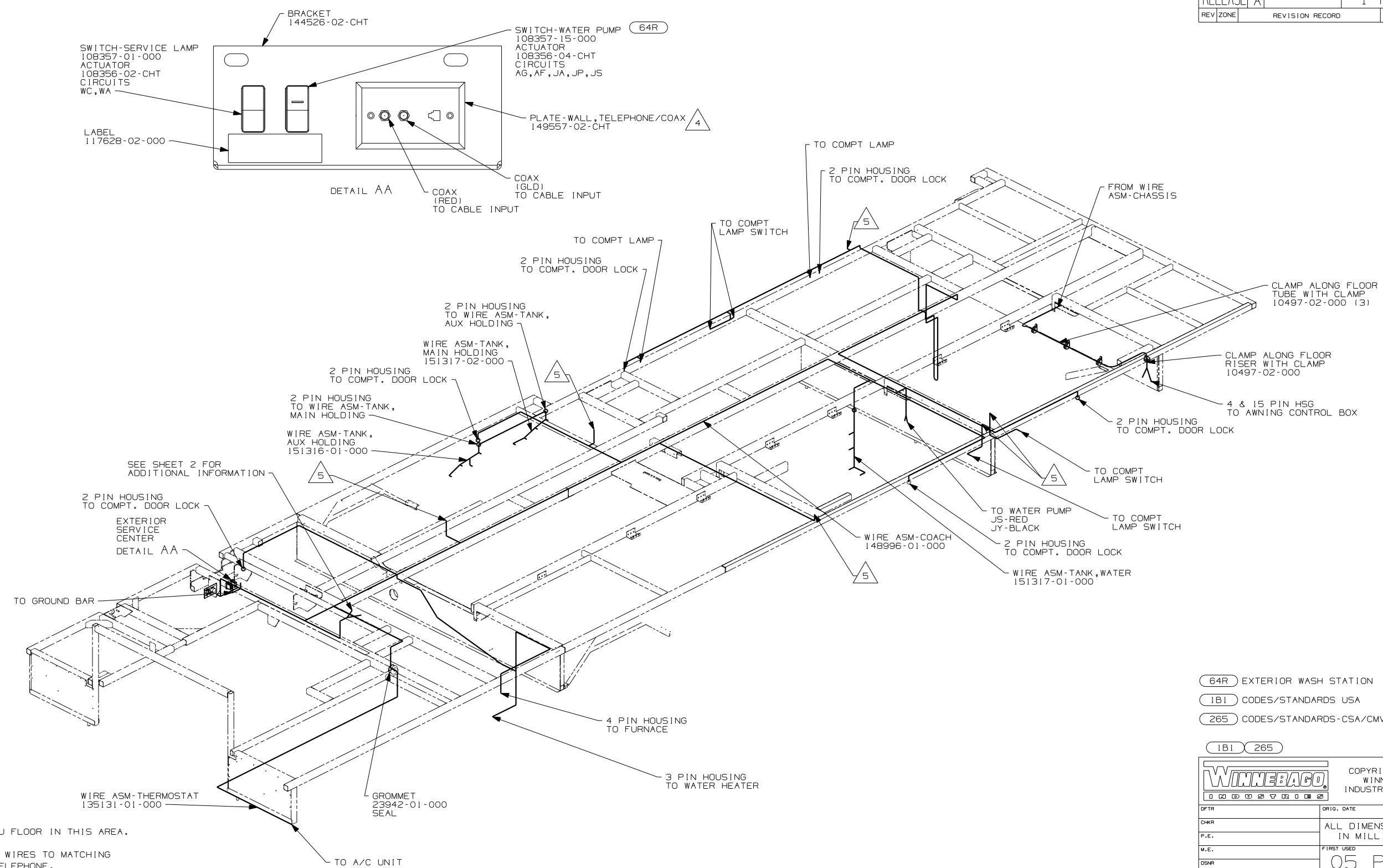
DANGER

Danger of electrical shock, burns or death. Always remove all power sources before attempting any repair, service or diagnostic work. Power can be present from shore power, generator, inverter or battery. All power sources must be disabled and secured before performing any service.



CAUTION

If you lack the skills, tools or equipment to perform diagnostic or repair work leave such work to an authorized Winnebago Industries dealer or other qualified shop.



- 5 WIRES PASS UP THRU FLOOR IN THIS AREA.
- 4 CONNECT TELEPHONE WIRES TO MATCHING COLORS ON PLATE-TELEPHONE.
3. WIRES THAT REST ON WIRE TRAYS ARE TO BE TIED DOWN WITH WIRE TIE 8343-02-000
 2. CLAMP TO FLOOR SUPPORT TUBES AS NECESSARY WITH CLAMP 10497-01-000.
 1. ALL WIRES TO BE SECURED WITH CLAMP 10495 OR 10497 OR WIRE TIE 8343 OR 108046 EVERY 600MM, USE SCREW G67-XX-XXX OR G56-XX-XXX AS APPROPRIATE FOR INSTALLATION.

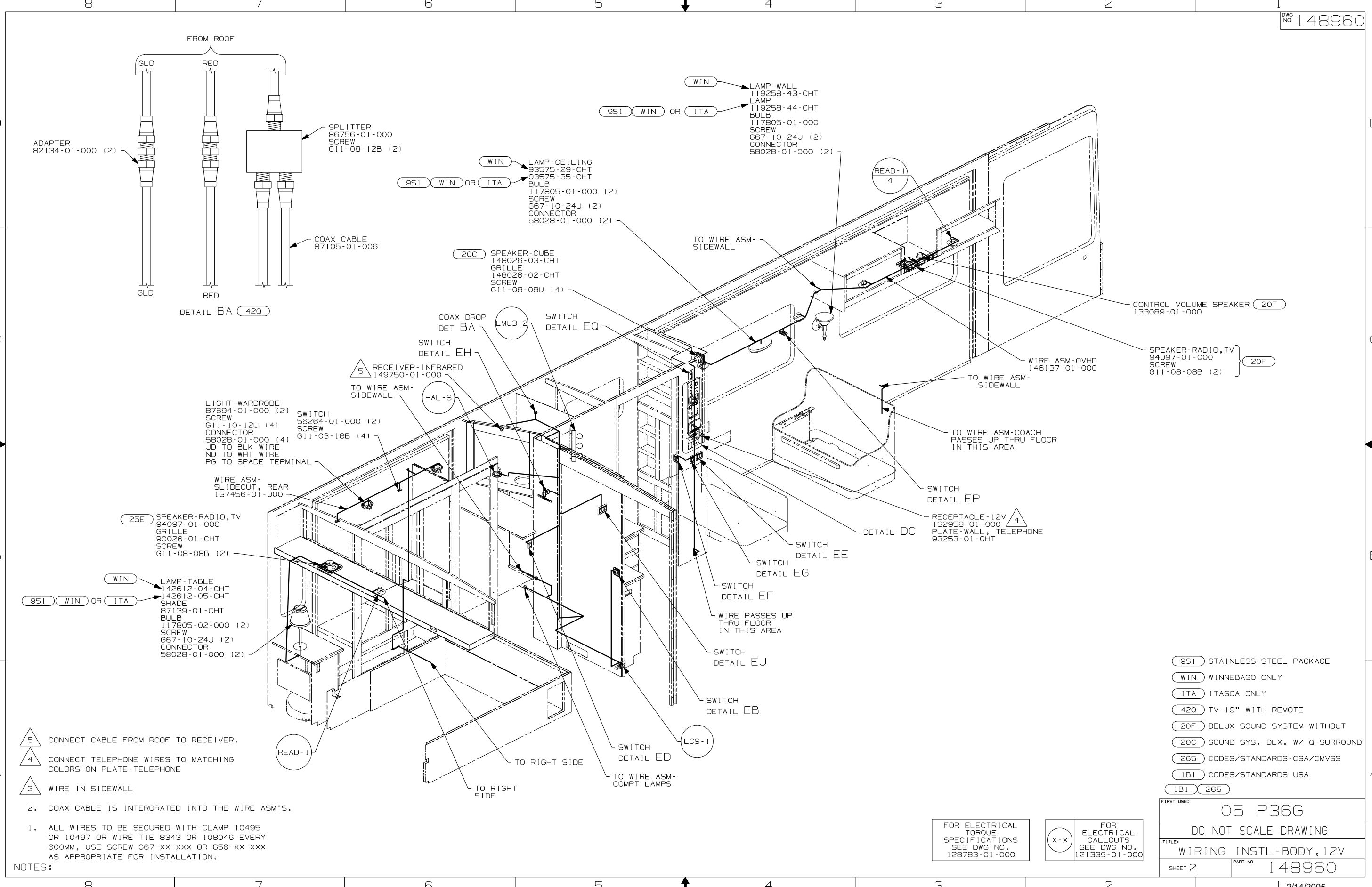
NOTES:

- 64R EXTERIOR WASH STATION
 - 1B1 CODES/STANDARDS USA
 - 265 CODES/STANDARDS-CSA/CMVSS
- 1B1 265

WINNEBAGO		COPYRIGHT 2004 WINNEBAGO INDUSTRIES, INC.	
DFTR	ORIG. DATE		
CHKR	ALL DIMENSIONS ARE IN MILLIMETERS		
P.E.			
M.E.	FIRST USED	05 P36G	
DSNR			
UNSPECIFIED TOLERANCES ARE:		MATERIAL:	
WHOLE DIM (X)	: 1		
ONE-PLACE (X.X)	: 1.5		
TWO-PLACE (X.XX)	: 0.50		
ANGLE	: 1°		
THIRD ANGLE PROJECTION		DO NOT SCALE DRAWING	
TITLE: WIRING INSTL-BODY, 12V			
SHEET 1 OF 7		PART NO 148960	

FOR ELECTRICAL
TORQUE
SPECIFICATIONS
SEE DWG NO.
128783-01-000

(X-X)
FOR
ELECTRICAL
CALLOUTS
SEE DWG NO.
121339-01-000



- △ 5 CONNECT CABLE FROM ROOF TO RECEIVER.
- △ 4 CONNECT TELEPHONE WIRES TO MATCHING COLORS ON PLATE-TELEPHONE
- △ 3 WIRE IN SIDEWALL

2. COAX CABLE IS INTERGRATED INTO THE WIRE ASM'S.

1. ALL WIRES TO BE SECURED WITH CLAMP 10495 OR 10497 OR WIRE TIE 8343 OR 108046 EVERY 600MM, USE SCREW G67-XX-XXX OR G56-XX-XXX AS APPROPRIATE FOR INSTALLATION.

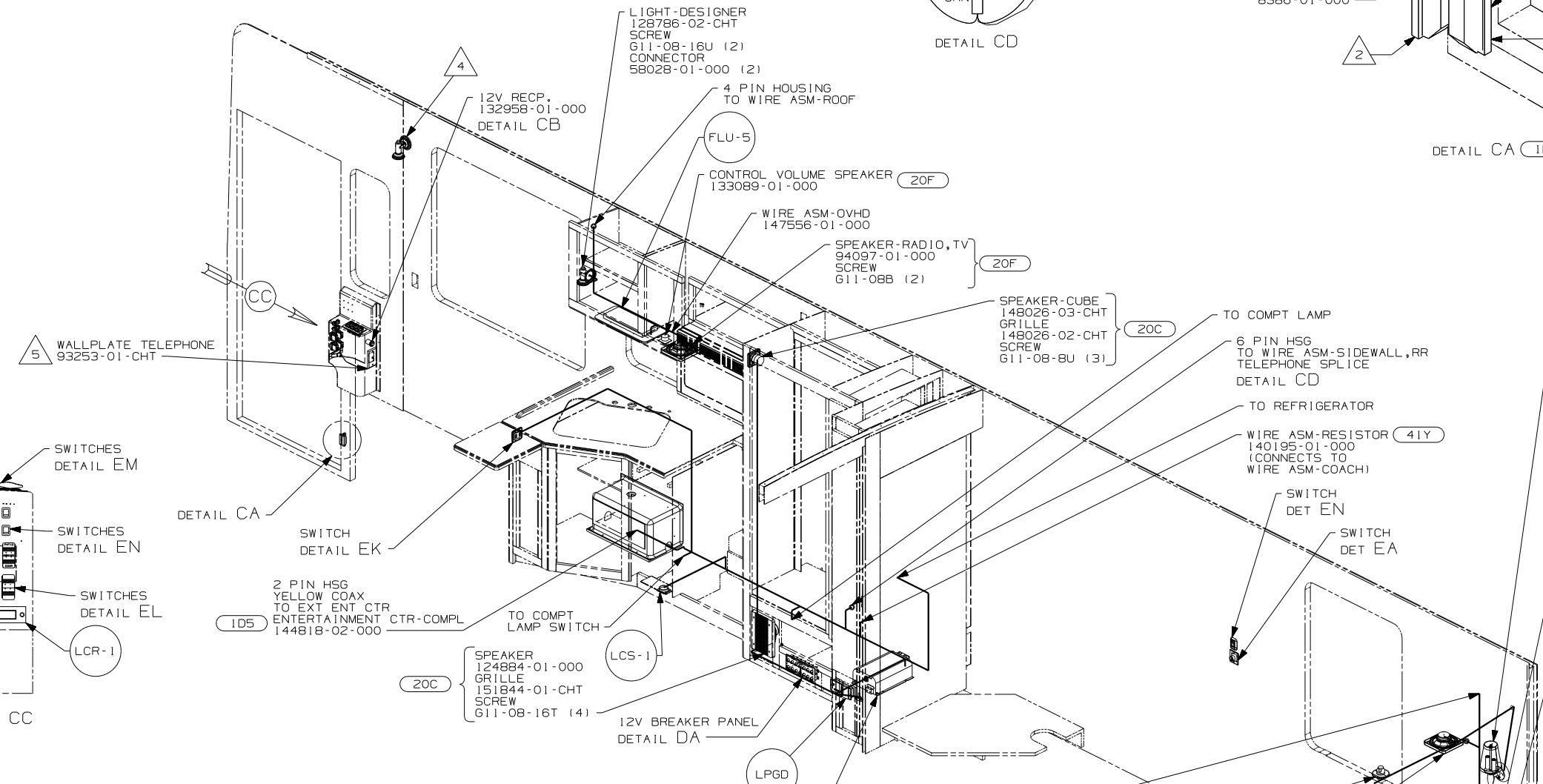
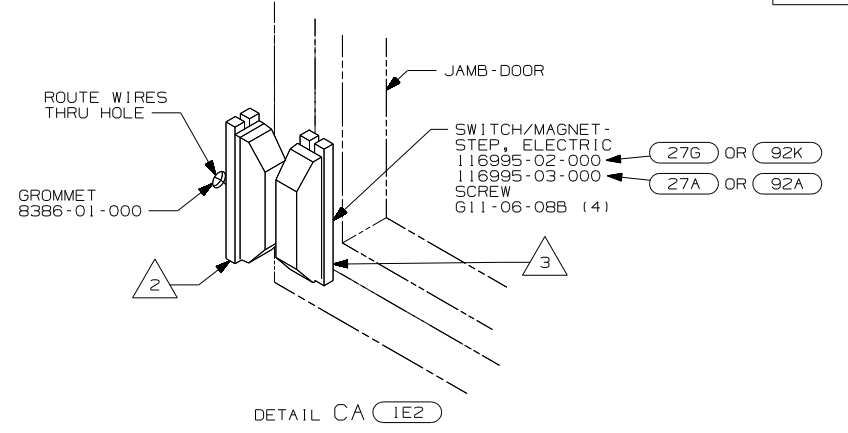
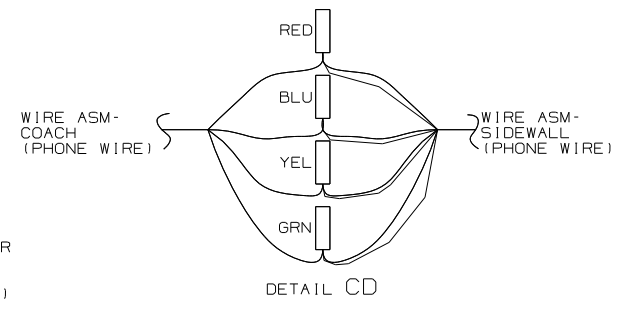
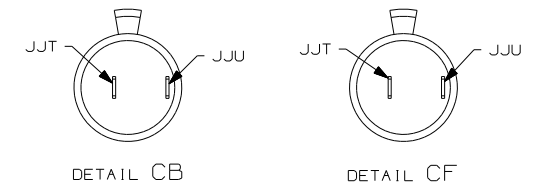
NOTES:

- 951 STAINLESS STEEL PACKAGE
- WIN WINNEBAGO ONLY
- ITA ITASCA ONLY
- 420 TV-19" WITH REMOTE
- 20F DELUX SOUND SYSTEM-WITHOUT
- 20C SOUND SYS. DLX. W/ O-SURROUND
- 265 CODES/STANDARDS-CSA/CMVSS
- 1B1 CODES/STANDARDS USA
- 1B1 265

FOR ELECTRICAL TORQUE SPECIFICATIONS SEE DWG NO. 128783-01-000

FOR ELECTRICAL CALLOUTS SEE DWG NO. 121339-01-000

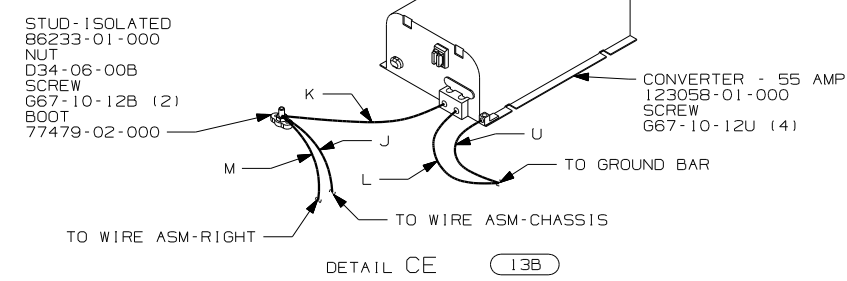
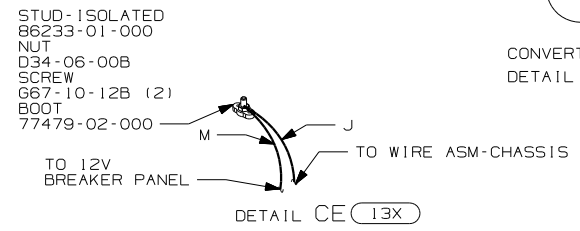
FIRST USED	
05 P36G	
DO NOT SCALE DRAWING	
TITLE: WIRING INSTL-BODY, 12V	
SHEET 2	PART NO 148960



- 7 WITHOUT REAR STEREO LEAVE 12 PIN HOUSING HANG BEHIND NIGHT STAND DRAWERS.
- 6 WITHOUT 25E
- 5 CONNECT TELEPHONE WIRES TO MATCHING COLORS ON PLATE-TELEPHONE.
- 4 SEE WIRING INSTL-FRONT END FOR ADDITIONAL INFORMATION.
- 3 MOUNT SWITCH AND SPACER TO BLOCK ON JAMB ADJUST HEIGHT TO MATCH MAGNET.
- 2 MOUNT MAGNET USING PILOT HOLES IN SCREEN DOOR FRAME. MOUNT WITH MAGNET TOWARD SWITCH.

1. ALL WIRES TO BE SECURED WITH CLAMP 10495 OR 10497 OR WIRE TIE 8343 OR 108046 EVERY 600MM, USE SCREW G67-XX-XXX OR G56-XX-XXX AS APPROPRIATE FOR INSTALLATION.

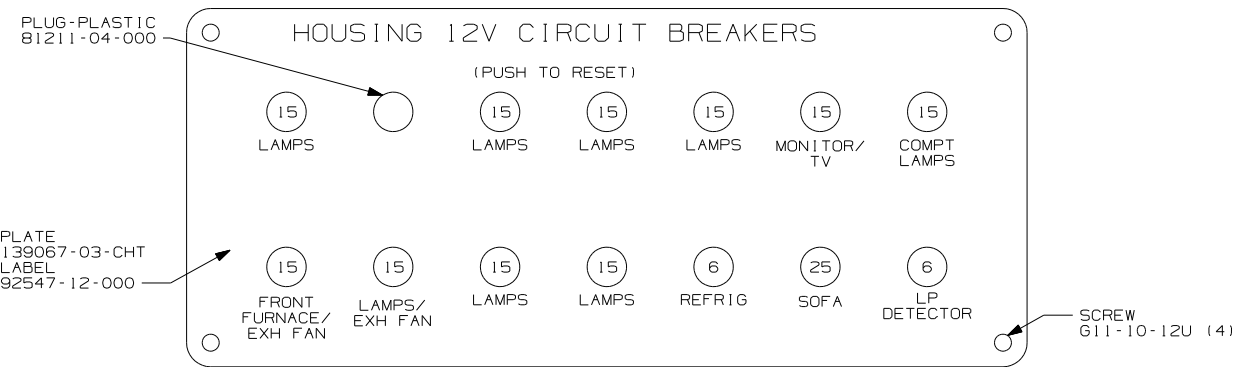
NOTES:



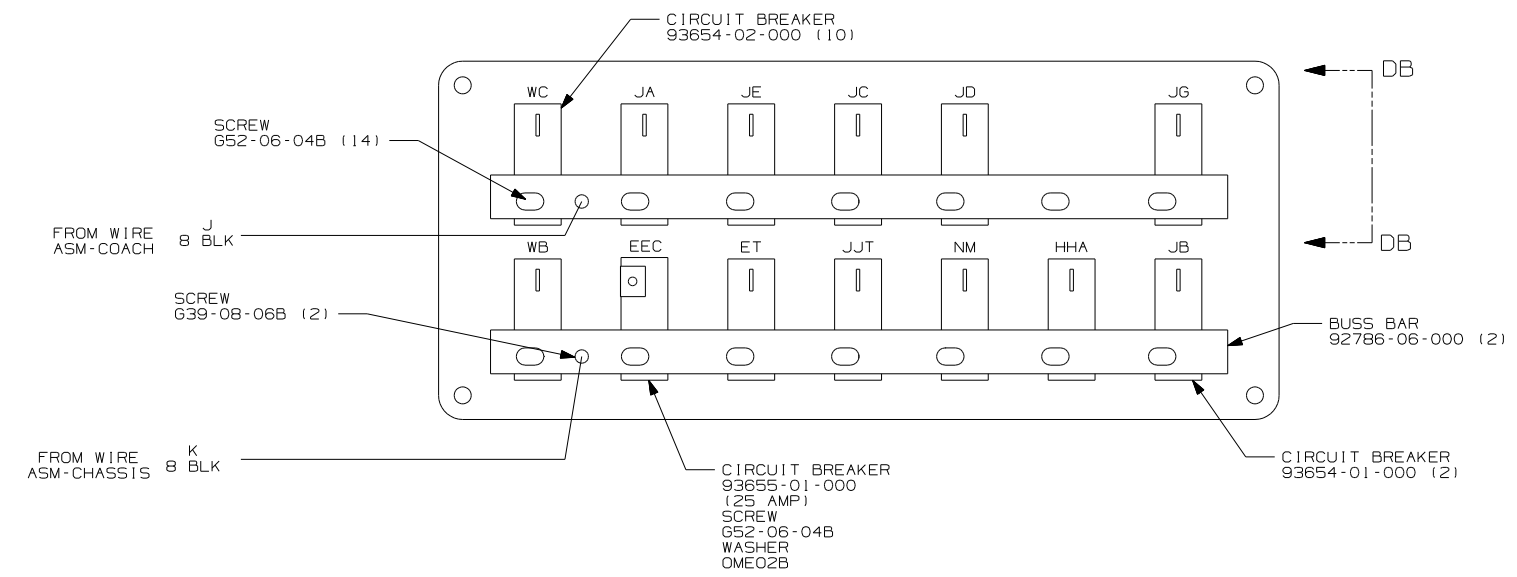
FOR ELECTRICAL TORQUE SPECIFICATIONS SEE DWG NO. 128783-01-000

FOR ELECTRICAL CALLOUTS SEE DWG NO. 121339-01-000

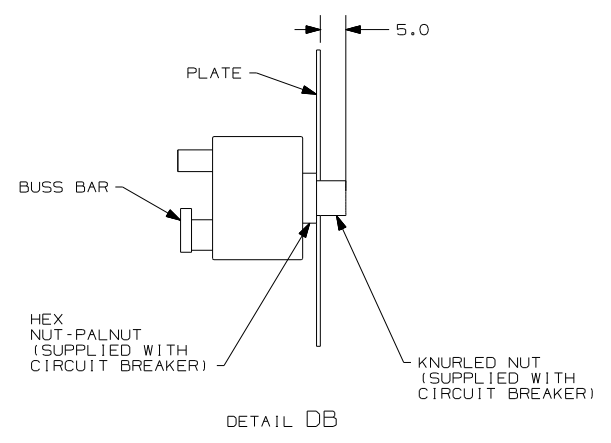
FIRST USED	
05 P36G	
DO NOT SCALE DRAWING	
TITLE: WIRING INSTL-BODY, 12V	
SHEET 3	PART NO 148960



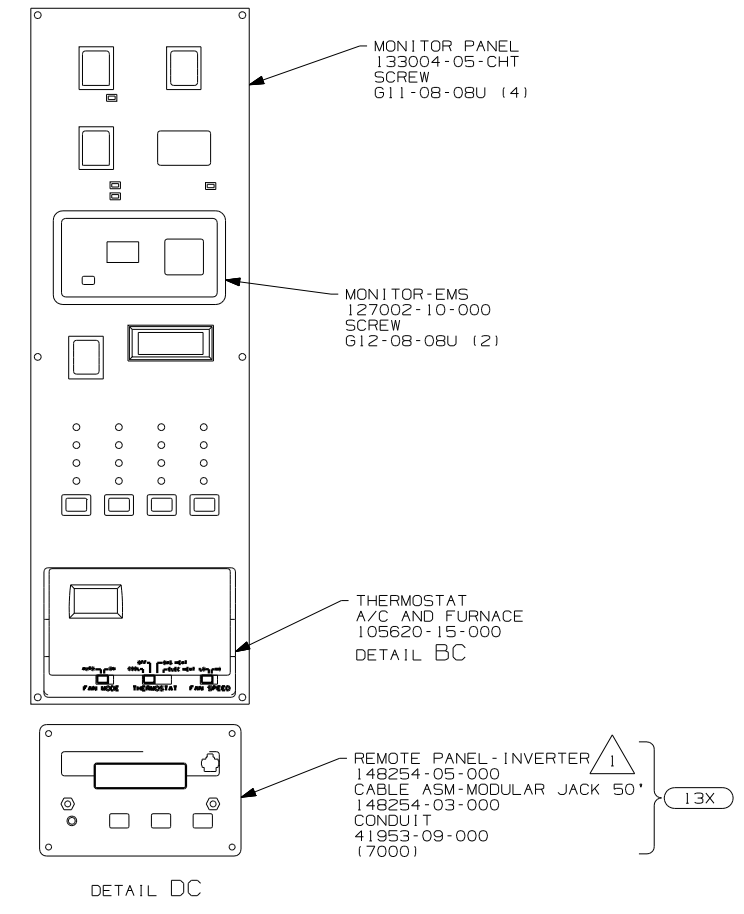
DETAIL DA
(FRONT VIEW)



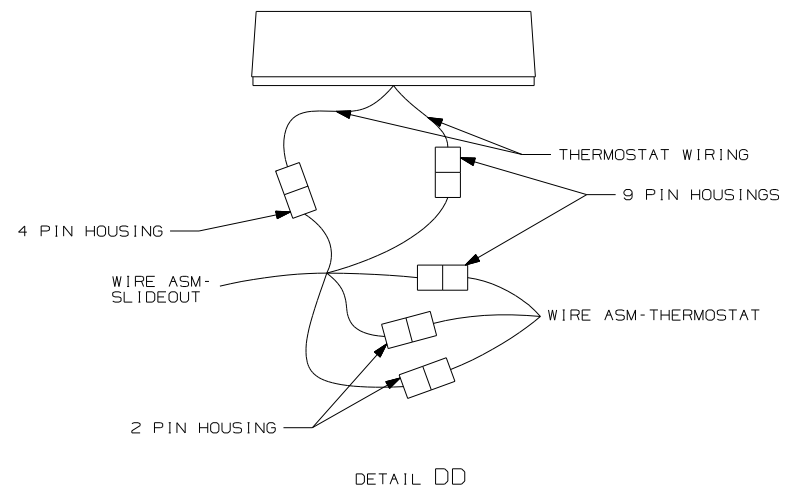
DETAIL DA
(BACK VIEW)



DETAIL DB



DETAIL DC



DETAIL DD

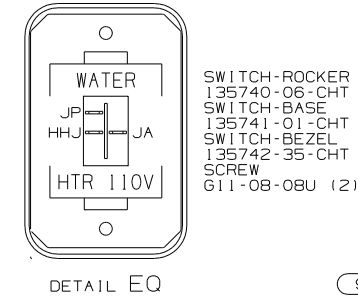
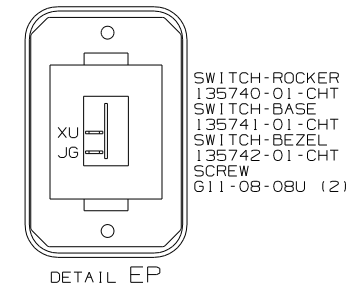
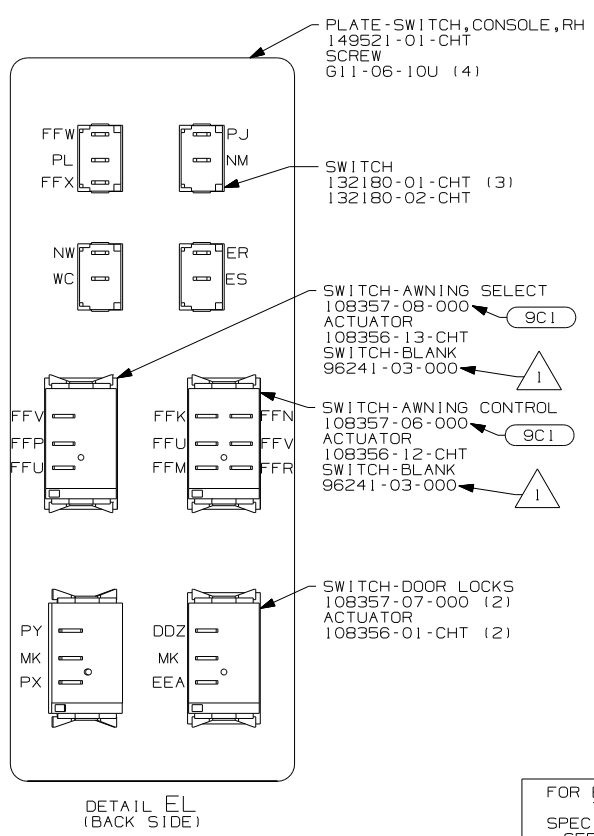
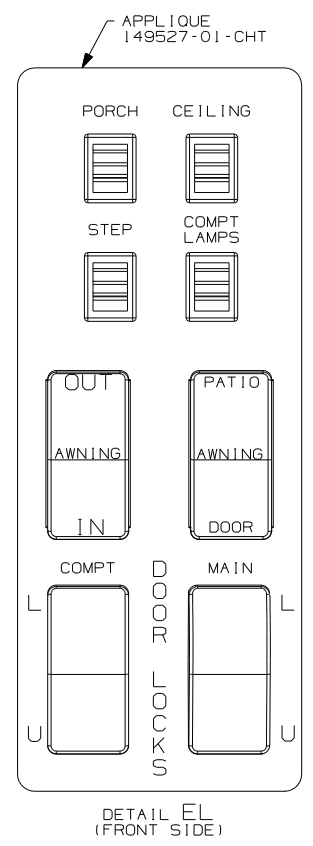
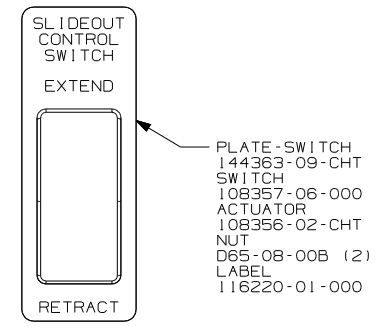
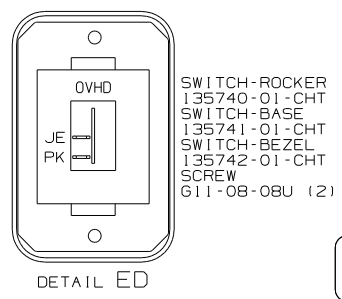
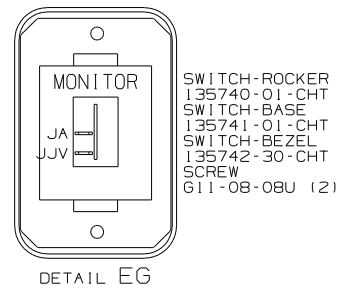
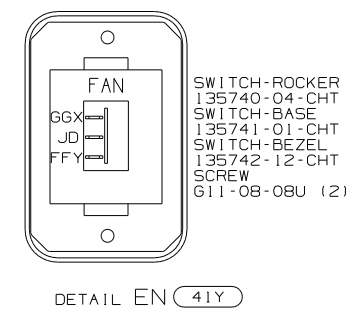
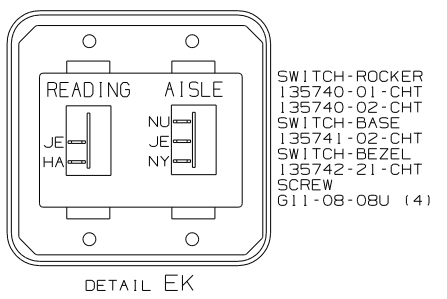
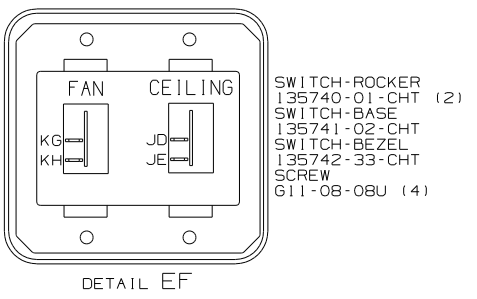
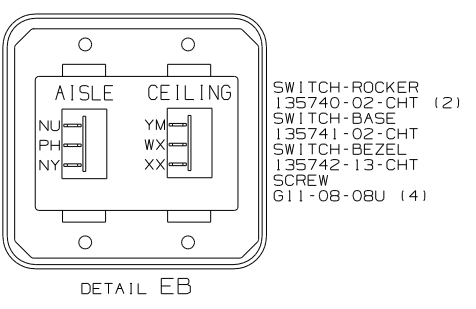
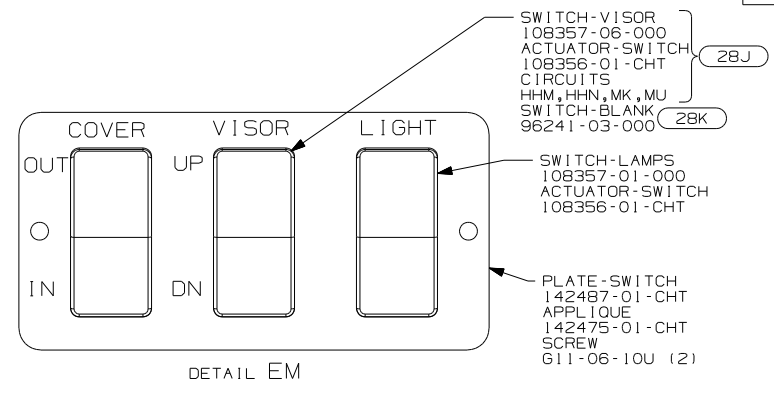
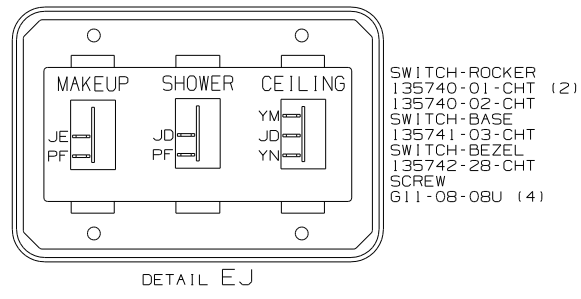
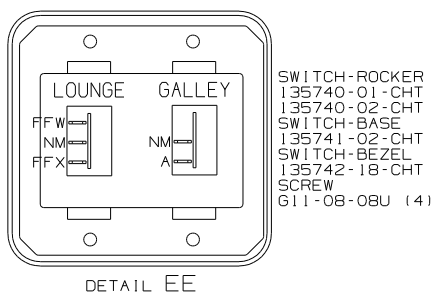
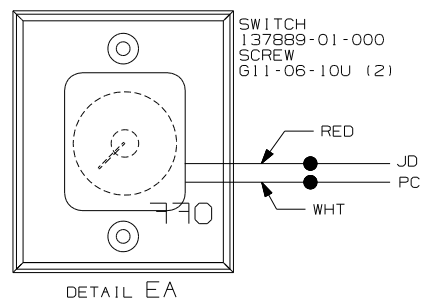
NOTES:
1. CONNECT CIRCUIT WB FROM COACH WIRING TO RED WIRE ON REMOTE PANEL.

FOR ELECTRICAL TORQUE SPECIFICATIONS SEE DWG NO. 128783-01-000

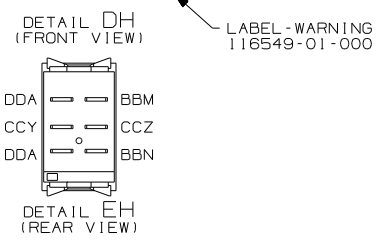
X-X FOR ELECTRICAL CALLOUTS SEE DWG NO. 121339-01-000

- 41J REST EASY DUAL CONTROL LEATHER
- 41F REST EASY MULTI POS LOUNGE
- 41G REST EASY LEATHER FACED SOFA
- 265 CODES/STANDARDS-CSA/CMVSS
- 13X INVERTER/CHARGER 2.0 KW
- 1B1 CODES/STANDARDS USA

FIRST USED	05 P36G
TITLE	DO NOT SCALE DRAWING
	WIRING INSTL-BODY, 12V
SHEET 4	PART NO 148960



WARNING UNDERSTAND OPERATOR'S MANUAL BEFORE USING. KEEP PEOPLE AND OBSTRUCTIONS CLEAR OF SLIDEOUT ROOM WHEN OPERATING TO AVOID INJURY AND/OR PROPERTY DAMAGE.



- (9C1) AWNING-ELECTRIC PACKAGE
- (41Y) FAN-CEILING
- (710) VENT ROOF-POWERED, INSULATED
- (28K) SUNVISORS - MANUAL (2)
- (28J) SUNVISORS - POWERED (2)
- (265) CODES/STANDARDS-CSA/CMVSS
- (1B1) CODES/STANDARDS-USA

NOTES: 1 WITHOUT (9C1)

FOR ELECTRICAL TORQUE SPECIFICATIONS SEE DWG NO. 128783-01-000

(X-X) FOR ELECTRICAL CALLOUTS SEE DWG NO. 121339-01-000

FIRST USED	05 P36G
TITLE	DO NOT SCALE DRAWING
	WIRING INSTL-BODY, 12V
SHEET 5	PART NO 148960

SATELLITE ELEVATION SENSOR
DETAIL FE

48V FLUN4
3

LSH-1

LIGHT-CEILING
93575-27-CHT (2)
BULB
117805-02-000 (2)
SCREW
G11-08-16U (4)
CONNECTOR
58028-01-000 (4)

41Y

FAN
139134-01-CHT
SCREW
G11-10-16B (3)
CONNECTOR
58028-01-000 (2)

1
41Y

LIGHT-HALOGEN, ADJUSTABLE
146048-01-CHT
SCREW
G11-08-16U (2)
CONNECTOR
58028-01-000 (2)

48M LFSNZ
2

LIGHT
93575-33-CHT
BULB
117805-02-000 (5)
SCREW
G11-08-16U (3)
CONNECTOR
58028-01-000 (2)

412

LF1-2

- 48V LIGHTS-FLUORESCENT
- 48M LIGHTS-INCANDESCENT
- 412 DECORATIVE LIGHT - CEILING
- 41Y FAN - CEILING
- 20C SOUND SYS. DLX. W/O-SURROUND
- 265 CODES/STANDARDS-CSA/CMVSS
- 1B1 CODES/STANDARDS USA

1B1 265

LF1N2
7
WASHER, PLASTIC
087080-02-CHT (7)
SCREW
G11-08-08B (7)

SWITCH-PUSH BUTTON
41250-01-000 (7)
BRACKET-SWITCH, LIGHT
138494-01-CHT (7)
SCREW
G39-08-12T (14)
G55-08-12B (14)
SCREW COVER
93249-01-000 (28)

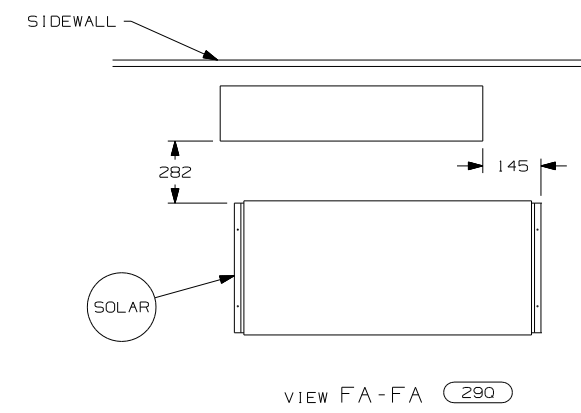
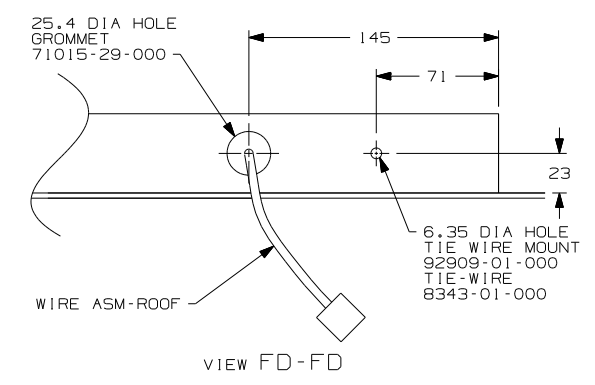
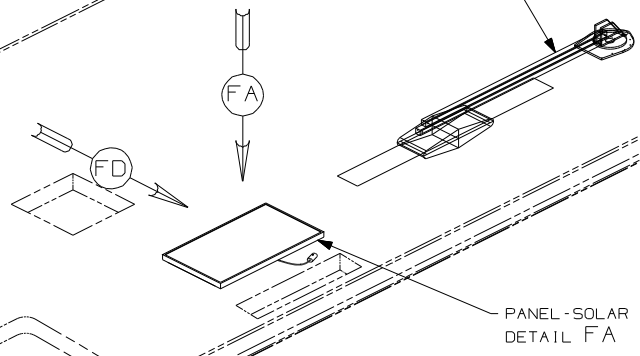
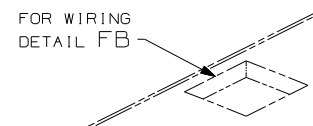
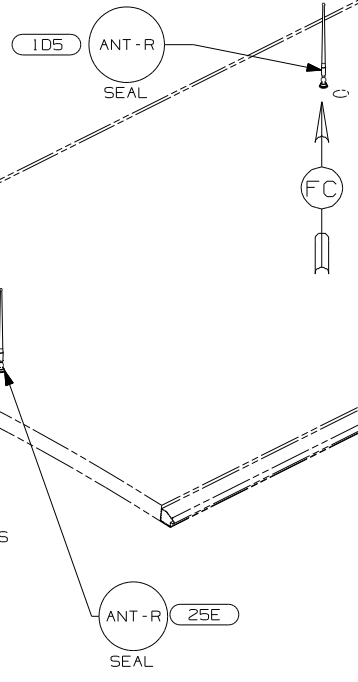
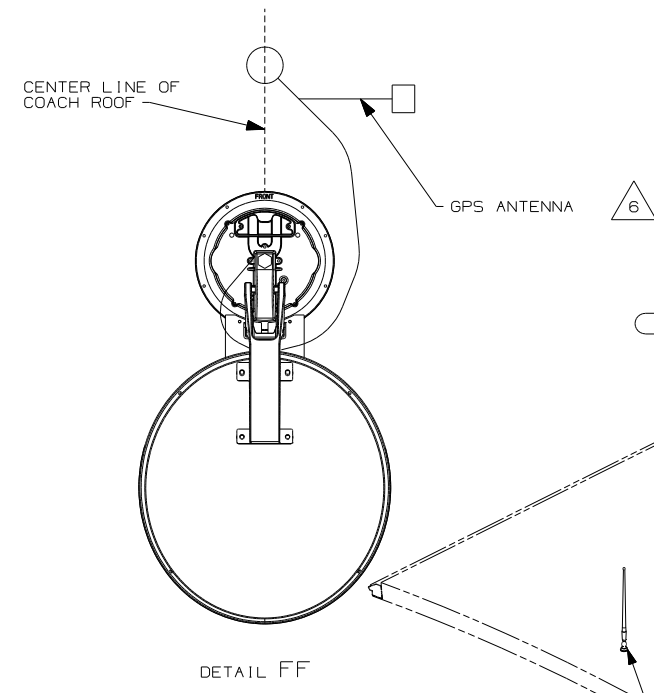
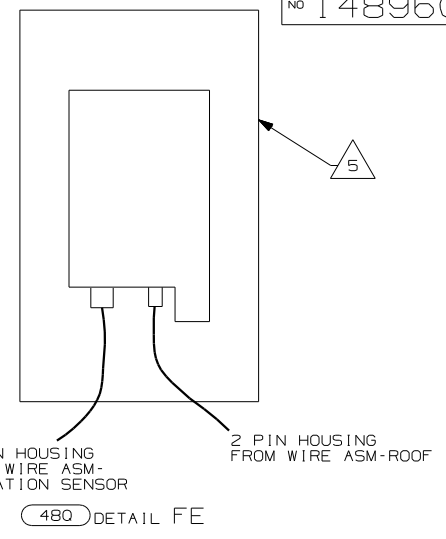
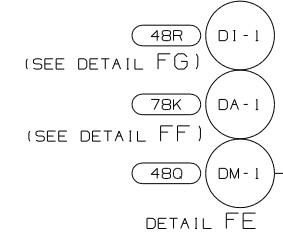
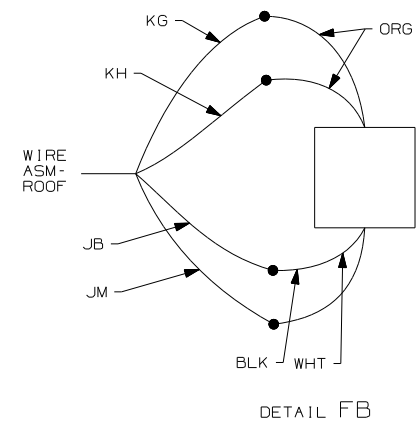
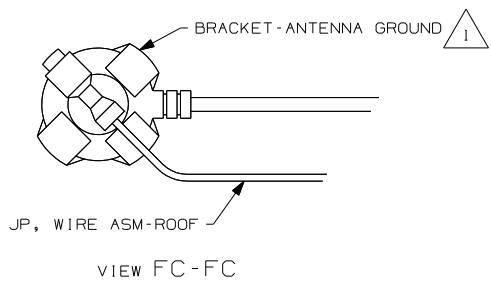
LAMP
86280-01-000
SCREW
G67-10-12U (2)
CONNECTOR
58028-01-000 (2)

FOR ELECTRICAL TORQUE SPECIFICATIONS SEE DWG NO. 128783-01-000

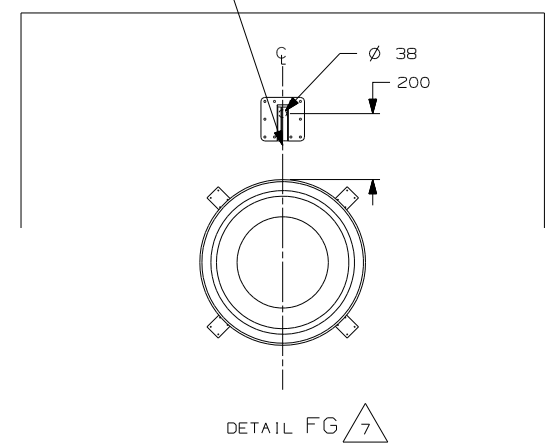
FOR ELECTRICAL CALLOUTS SEE DWG NO. 121339-01-000

FIRST USED	05 P36G
TITLE	DO NOT SCALE DRAWING
TITLE	WIRING INSTL - BODY, 12V
SHEET 6	PART NO 148960

NOTES:
1 CENTER FAN OVER 25MM HOLE IN ROOF.



THE COAX CONNECTION IS TO BE PLACED ON THE CENTERLINE OF THE MOTORHOME FACING FORWARD



- NOTES:
- 7 REMOVE ALL SHIPPING RESTRAINTS AND FIRMLY INSERT THE SUPPLIED PLUGS INTO THE APPROPRIATE SIZED HOLES AS SPECIFIED IN THE INSTALLATION PROCESS.
 - 6 MOUNT GPS ANTENNA TO THE RIGHT OF THE SATELLITE AS SHOWN. SECURE CABLE WITH ROOF SEALANT.
 - 5 SENSOR SUPPLIED WITH SATELLITE ASSEMBLY.
 - 4 TAPE BRANCH BACK ALONG WIRE ASM WITH TAPE 8363-01-000.
 - 3 INSTALL WITH WIRES TOWARD ROOF.
 - 2 FASTEN TO VENT.
 - 1 WRAP BRACKET LEGS AROUND ANTENNA BASE.

- 78K SATELLITE DISH-AUTOMATIC
- 48R SAT SYS IN-MOTION W/O RCVR
- 480 SATELLITE DISH & ELEV. SENSOR
- 290 SOLAR PANEL-10 WATT
- 25E STEREO SYSTEM W/CD REAR
- 105 ENTERTAINMENT CTR/EXT W/CD
- 193 TV ANTENNA-AMPLIFIED SYSTEM
- 265 CODES/STANDARDS-CSA/CMVSS
- 1B1 CODES/STANDARDS USA

FOR ELECTRICAL TORQUE SPECIFICATIONS SEE DWG NO. 128783-01-000

FOR ELECTRICAL CALLOUTS SEE DWG NO. 121339-01-000

FIRST USED	05 P36G
TITLE	DO NOT SCALE DRAWING
	WIRING INSTL-BODY, 12V
SHEET 7	PART NO 148960