



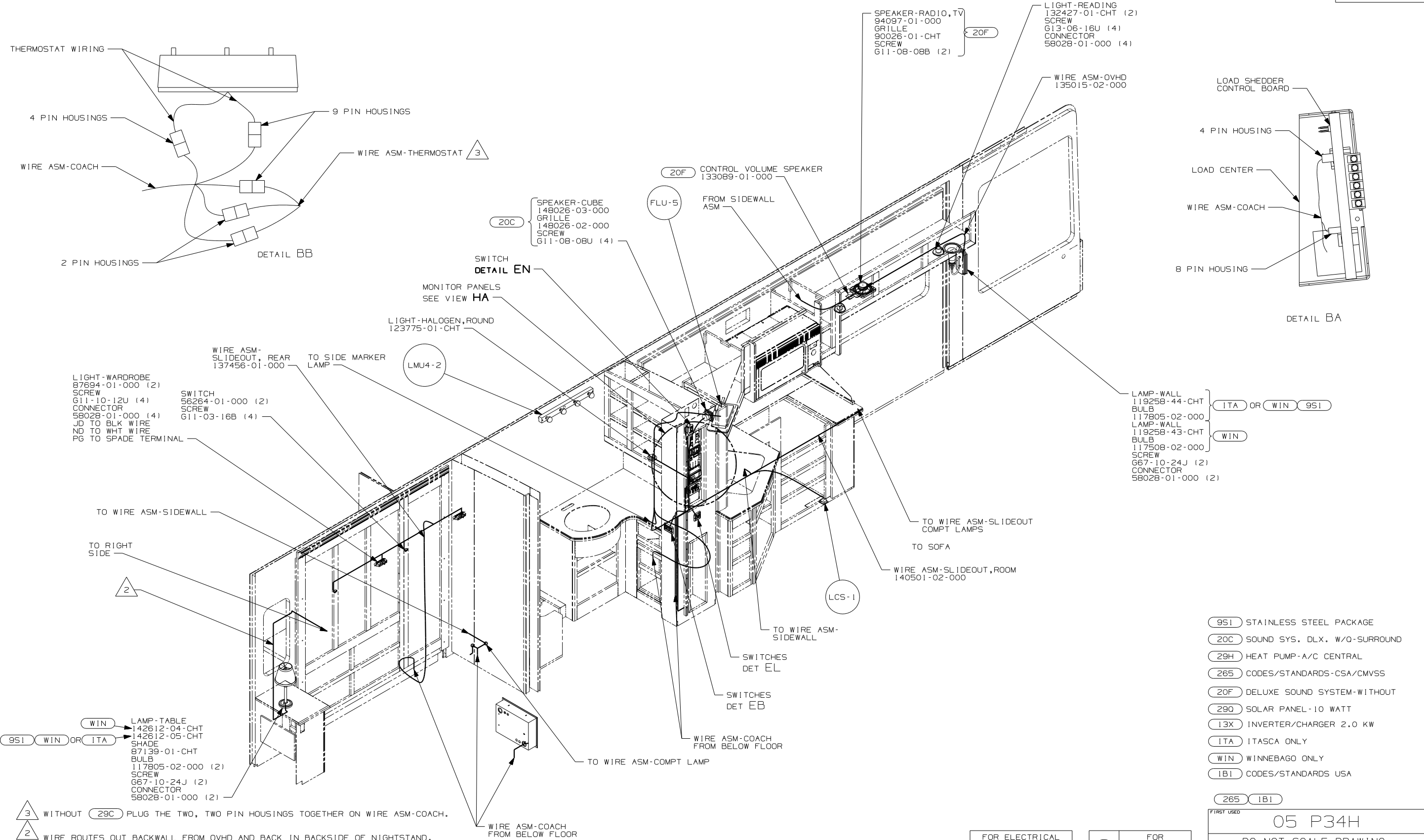
DANGER

Danger of electrical shock, burns or death. Always remove all power sources before attempting any repair, service or diagnostic work. Power can be present from shore power, generator, inverter or battery. All power sources must be disabled and secured before performing any service.



CAUTION

If you lack the skills, tools or equipment to perform diagnostic or repair work leave such work to an authorized Winnebago Industries dealer or other qualified shop.



3 WITHOUT 29C PLUG THE TWO, TWO PIN HOUSINGS TOGETHER ON WIRE ASM-COACH.

2 WIRE ROUTES OUT BACKWALL FROM OVHD AND BACK IN BACKSIDE OF NIGHTSTAND.

1. ALL WIRES TO BE SECURED WITH CLAMP 10495 OR 10497 OR WIRE TIE 8343 OR 108048 EVERY 600MM, USE SCREW G67-XX-XXX OR G56-XX-XXX AS APPROPRIATE FOR INTALLATION.

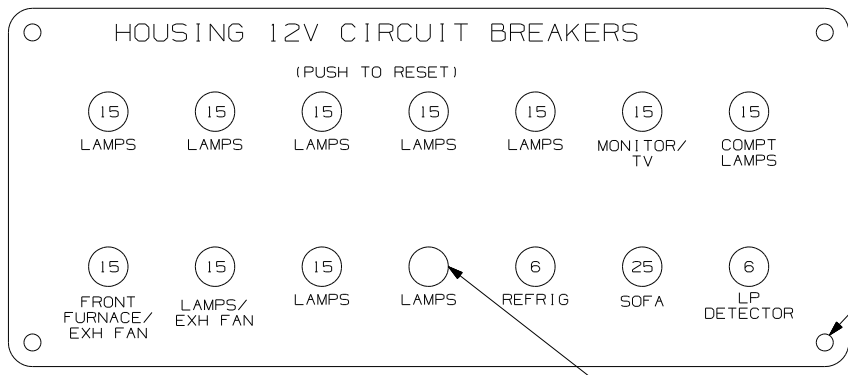
NOTES:

- 9S1 STAINLESS STEEL PACKAGE
- 20C SOUND SYS. DLX. W/O-SURROUND
- 29H HEAT PUMP-A/C CENTRAL
- 265 CODES/STANDARDS-CSA/CMVSS
- 20F DELUXE SOUND SYSTEM-WITHOUT
- 290 SOLAR PANEL-10 WATT
- 13X INVERTER/CHARGER 2.0 KW
- ITA ITASCA ONLY
- WIN WINNEBAGO ONLY
- IB1 CODES/STANDARDS USA

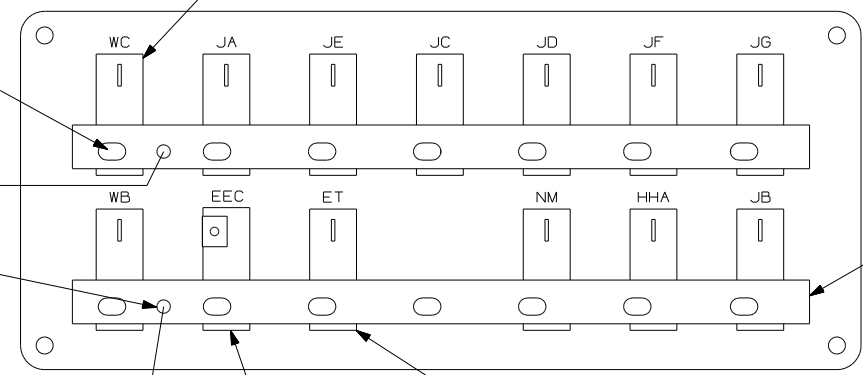
FIRST USED	
05 P34H	
DO NOT SCALE DRAWING	
TITLE:	
WIRING INSTL-BODY, 12V	
SHEET 2	PART NO
	150005

FOR ELECTRICAL TORQUE SPECIFICATIONS SEE DWG NO. 128783-01-000

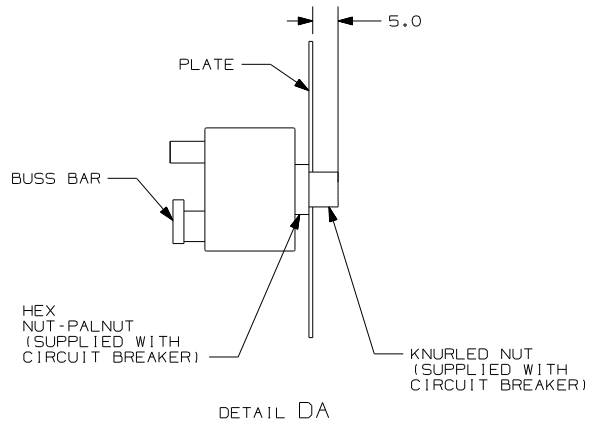
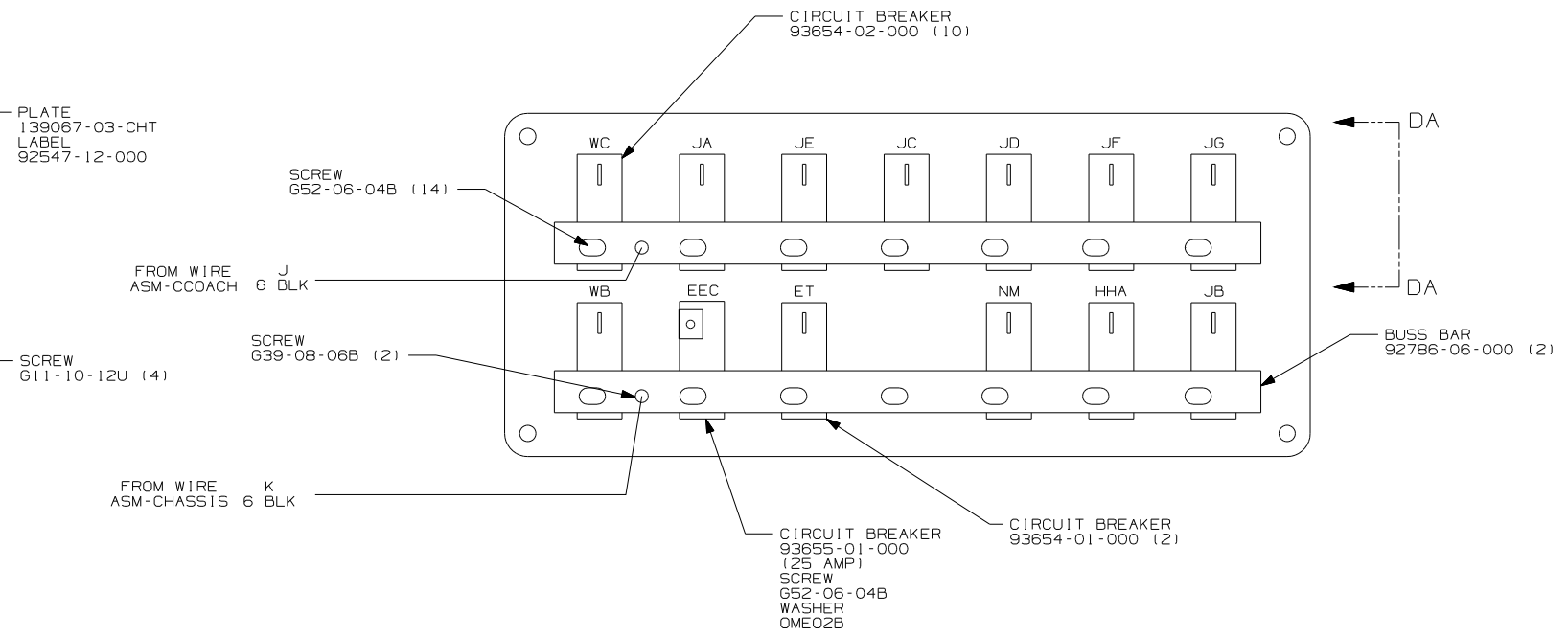
FOR ELECTRICAL CALLOUTS SEE DWG NO. 121339-01-000



CIRCUIT BREAKER
(FRONT VIEW)



CIRCUIT BREAKER
(BACK VIEW)



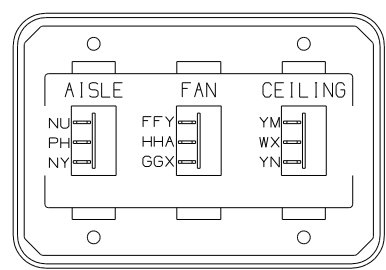
DETAIL DA

265	CODES/STANDARDS CSA/CVSS
1B1	CODES/STANDARDS USA
1B1	265

FOR ELECTRICAL TORQUE SPECIFICATIONS SEE DWG NO. 128783-01-000

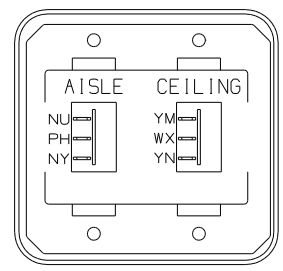
FOR ELECTRICAL CALLOUTS SEE DWG NO. 121339-01-000

FIRST USED	05 P34H
DO NOT SCALE DRAWING	
TITLE:	WIRING INSTL - BODY, 12V
SHEET 4	PART NO 150005



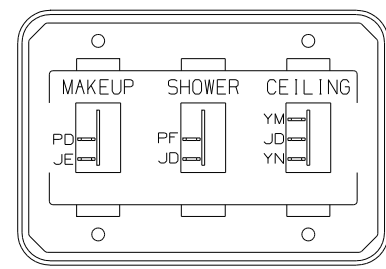
SWITCH-ROCKER 135740-02-CHT (2)
 135740-04-CHT
 SWITCH-BASE 135741-03-CHT
 SWITCH-BEZEL 135742-23-CHT
 SCREW 611-08-08U (4)
 WIRE ASM-RESISTOR,FAN 140195-01-000

DETAIL EA 41Y



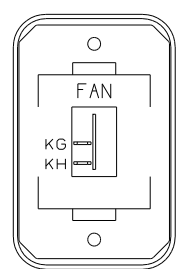
SWITCH-ROCKER 135740-02-CHT (2)
 SWITCH-BASE 135741-02-CHT
 SWITCH-BEZEL 135742-13-CHT
 SCREW 611-08-08U (4)

DETAIL EA 41Z



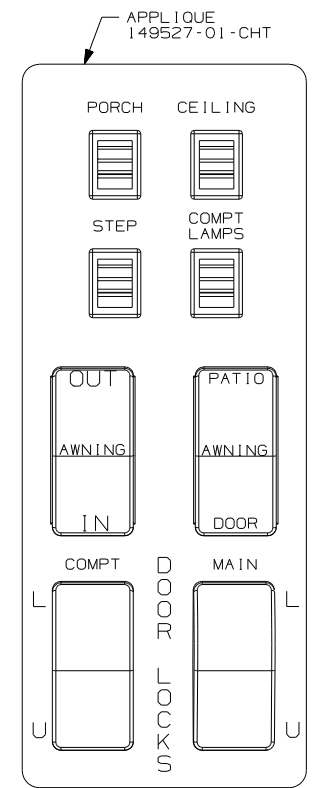
SWITCH-ROCKER 135740-01-CHT (2)
 135740-02-CHT
 SWITCH-BASE 135741-03-CHT
 SWITCH-BEZEL 135742-28-CHT
 SCREW 611-08-08U (4)

DETAIL EB

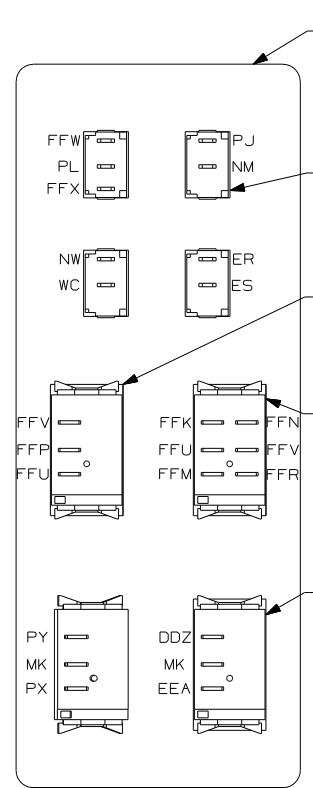


SWITCH-ROCKER 135740-01-CHT
 SWITCH-BASE 135741-01-CHT
 SWITCH-BEZEL 135742-12-CHT
 SCREW 611-08-08U (2)

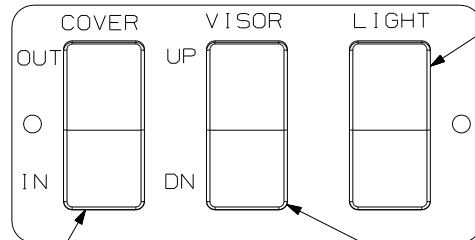
DETAIL EC



DETAIL EE (FRONT SIDE)



DETAIL EE (BACK SIDE)



DETAIL EF

SWITCH-LAMPS 108357-01-000
 ACTUATOR-SWITCH 108356-01-CHT
 CIRCUITS NM,HA,O

PLATE-SWITCH 142487-01-CHT
 APPLIQUE 142475-01-CHT
 SCREW 611-06-10U (2)

SWITCH-VISOR 108357-06-000
 ACTUATOR-SWITCH 108356-01-CHT
 CIRCUITS HNN,MK,HMM,MN
 SWITCH-BLANK 96241-03-000

PLATE-SWITCH 144363-09-CHT
 SWITCH 108357-06-000
 ACTUATOR 108356-02-CHT
 NUT D65-08-00B (2)
 LABEL 116220-01-000
 DDA,CCY,DDA,BBM,CCZ,BBN

LABEL-WARNING 116549-02-000

WARNING
 UNDERSTAND OPERATOR'S MANUAL BEFORE USING KEEP PEOPLE AND OBSTRUCTIONS CLEAR OF SLIDEOUT ROOM WHEN OPERATING TO AVOID INJURY AND/OR PROPERTY DAMAGE

DETAIL EG

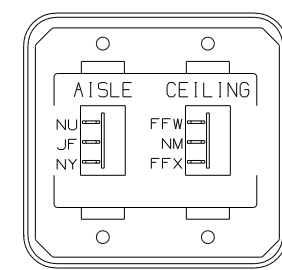
PLATE-SWITCH, CONSOLE, RH 149521-01-CHT
 SCREW 611-06-10U (4)

SWITCH 132180-01-CHT (3)
 132180-02-CHT

SWITCH-AWNING SELECT 108357-08-000
 ACTUATOR 108356-13-CHT
 SWITCH-BLANK 96241-03-000

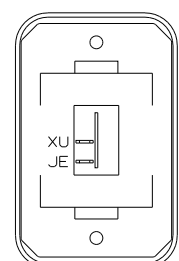
SWITCH-AWNING CONTROL 108357-06-000
 ACTUATOR 108356-12-CHT
 SWITCH-BLANK 96241-03-000

SWITCH-DOOR LOCKS 108357-07-000 (2)
 ACTUATOR 108356-01-CHT (2)



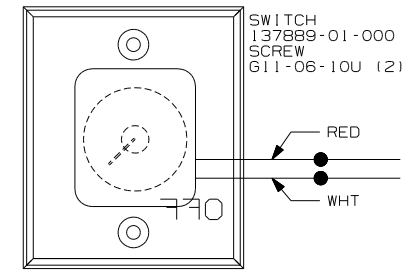
DETAIL EH

SWITCH-ROCKER 135740-02-CHT (2)
 SWITCH-BASE 135741-02-CHT
 SWITCH-BEZEL 135742-13-CHT
 SCREW 611-08-08U (4)



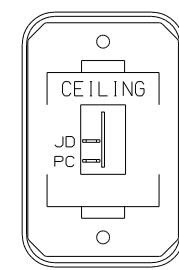
DETAIL EJ

SWITCH-ROCKER 135740-01-CHT
 SWITCH-BASE 135741-01-CHT
 SWITCH-BEZEL 135742-01-CHT
 SCREW 611-08-08U (2)



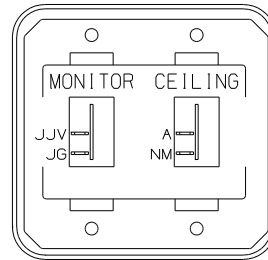
DETAIL EK (ITA)

SWITCH 137889-01-000
 SCREW 611-06-10U (2)



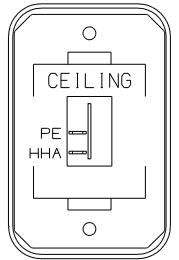
DETAIL EK (WIN)

SWITCH-ROCKER 135740-01-CHT
 SWITCH-BASE 135741-01-CHT
 SWITCH-BEZEL 135742-07-CHT
 SCREW 611-08-08U (2)



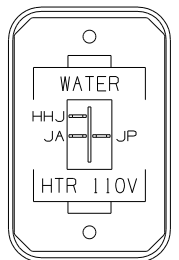
DETAIL EL

SWITCH-ROCKER 135740-01-CHT (2)
 SWITCH-BASE 135741-02-CHT
 SWITCH-BEZEL 135742-31-CHT
 SCREW 611-08-08U (4)



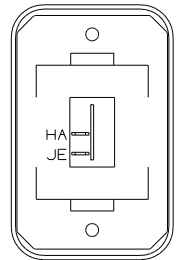
DETAIL EM (WIN)

SWITCH-ROCKER 135740-01-CHT
 SWITCH-BASE 135741-01-CHT
 SWITCH-BEZEL 135742-07-CHT
 SCREW 611-08-08U (2)



DETAIL EN

SWITCH-ROCKER 135740-06-CHT
 SWITCH-BASE 135741-01-CHT
 SWITCH-BEZEL 135742-35-CHT
 SCREW 611-08-08U (2)



DETAIL EP

SWITCH-ROCKER 135740-01-CHT
 SWITCH-BASE 135741-01-CHT
 SWITCH-BEZEL 135742-01-CHT
 SCREW 611-08-08U (2)

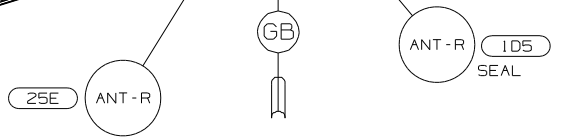
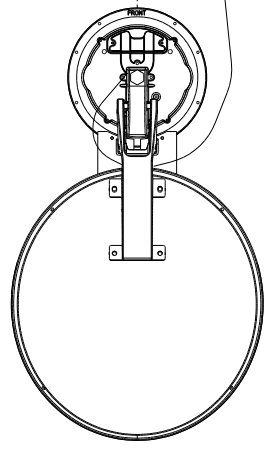
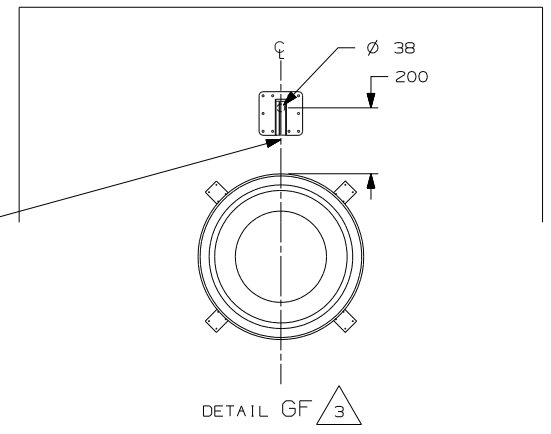
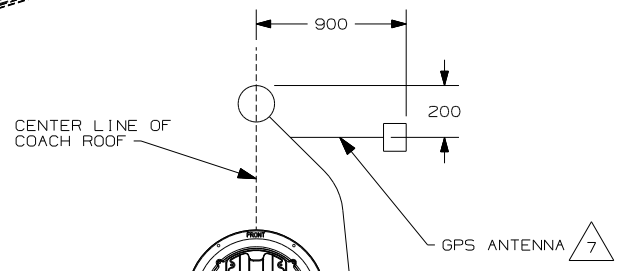
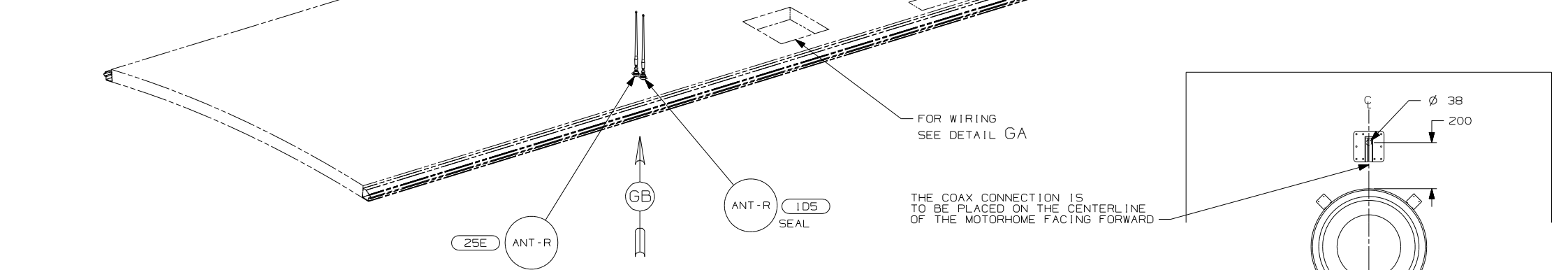
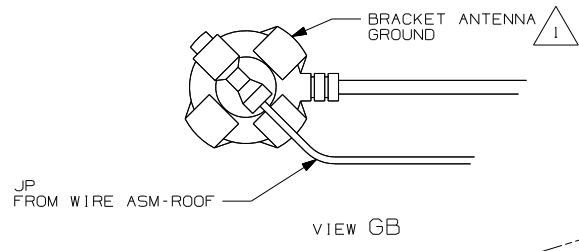
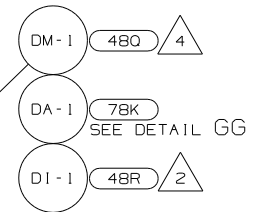
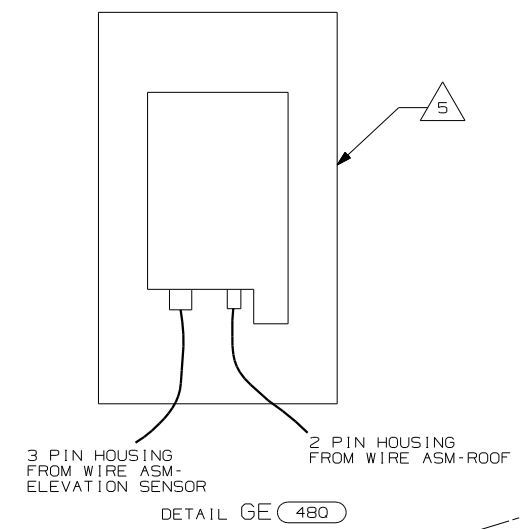
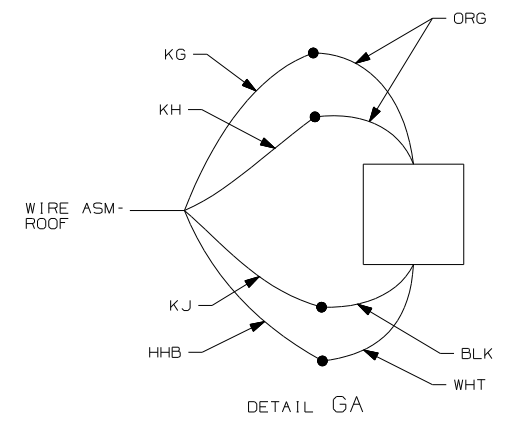
- (ITA) ITASCA ONLY
- (WIN) WINNEBAGO ONLY
- (28K) SUNVISORS - MANUAL (2)
- (28J) SUNVISORS - POWERED (2)
- (9C1) AWNING-ELECTRIC PACKAGE

NOTES:
 2 WITHOUT 9C1
 1 CONNECT WIRE ASM RESISTOR TO 2-PIN HOUSING LOCATED BY SWITCH WIRES.

FOR ELECTRICAL TORQUE SPECIFICATIONS SEE DWG NO. 128783-01-000

FOR ELECTRICAL CALLOUTS SEE DWG NO. 121339-01-000

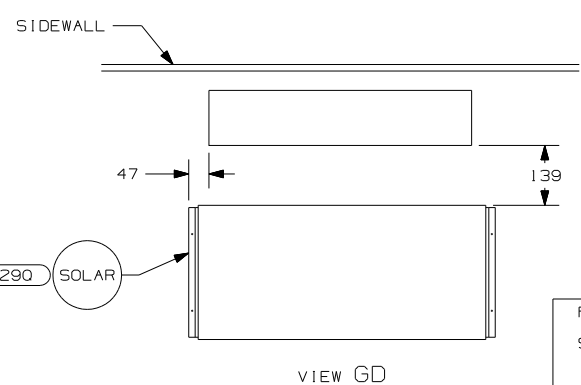
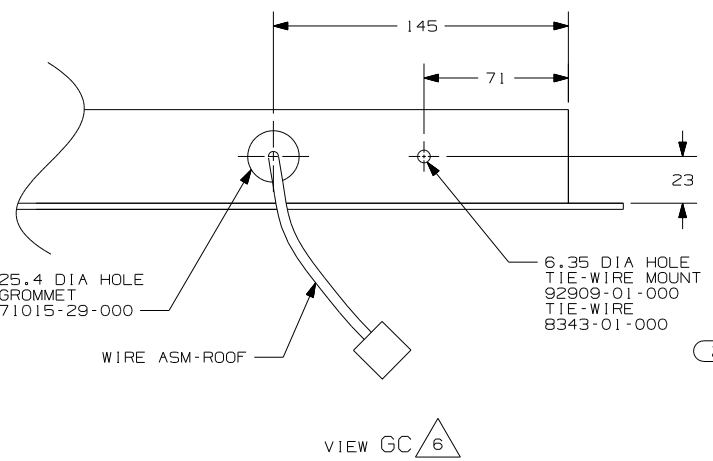
FIRST USED	
05 P34H	
DO NOT SCALE DRAWING	
TITLE: WIRING INSTL-BODY, 12V	
SHEET 5	PART NO 150005



THE COAX CONNECTION IS TO BE PLACED ON THE CENTERLINE OF THE MOTORHOME FACING FORWARD

FOR WIRING SEE DETAIL GA

- NOTES:
- 7 MOUNT GPS ANTENNA TO THE RIGHT OF THE SATELLITE AS SHOWN. SECURE CABLE WITH ROOF SEALANT.
 - 6 FASTEN TO VENT.
 - 5 SENSOR SUPPLIED WITH SATELLITE ASSEMBLY.
 - 4 SEE DETAIL GE FOR ELEVATION SENSOR ASSEMBLY.
 - 3 REMOVE ALL SHIPPING RESTRAINTS AND FIRMLY INSERT THE SUPPLIED PLUGS INTO THE APPROPRIATE SIZED HOLES AS SPECIFIED IN THE INSTALLATION PROCESS.
 - 2 SEE DETAIL GF FOR SATELLITE LOCATION.
 - 1 WRAP BRACKET LEGS AROUND ANTENNA BASE.

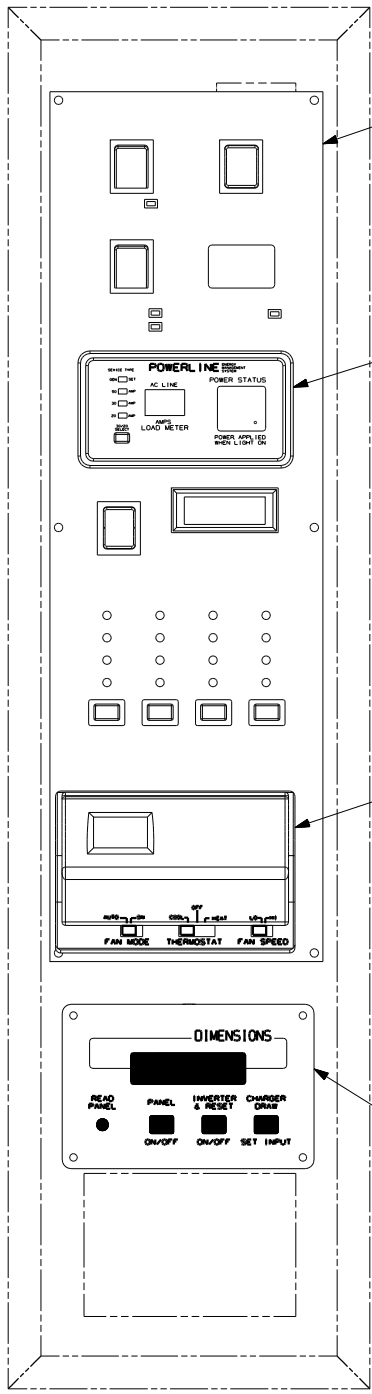


- 25E STEREO SYSTEM W/CD REAR
- 48R SAT SYS IN-MOTION W/O RCVR
- 78K SATELLITE DISH-AUTOMATIC
- 480 SATELLITE DISH & ELEV.SENSOR
- 290 SOLAR PANEL-10 WATT
- 1D5 ENTERTAINMENT CENTR/EXT W/CD
- 193 TV ANTENNA-AMPLIFIED SYSTEM
- 265 CODES/STANDARD-CSA/CMVSS
- 1B1 CODES/STANDARDS USA

FOR ELECTRICAL TORQUE SPECIFICATIONS SEE DWG NO. 128783-01-000

FOR ELECTRICAL CALLOUTS SEE DWG NO. 121339-01-000

FIRST USED	
05 P34H	
DO NOT SCALE DRAWING	
TITLE: WIRING INSTL-BODY, 12V	
SHEET 7	PART NO 150005



MONITOR PANEL
133004-05-CHT
SCREW
G11-08-12B (4) **290**

MONITOR
127002-10-000
SCREW
G13-06-061 (2)

THERMOSTAT
A/C AND FURNACE
105620-15-000
DETAIL BB **29H**

REMOTE PANEL
INVERTER/CHARGER
148254-05-000
CABLE ASM-MODULE JACK 50'
148254-03-000
CONDUIT
41953-09-000
(7000) **13X**

VIEW HA

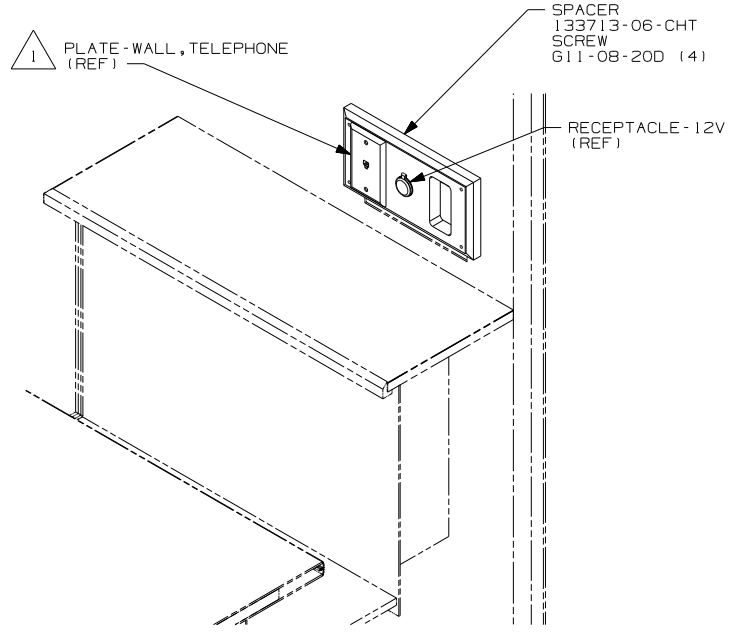
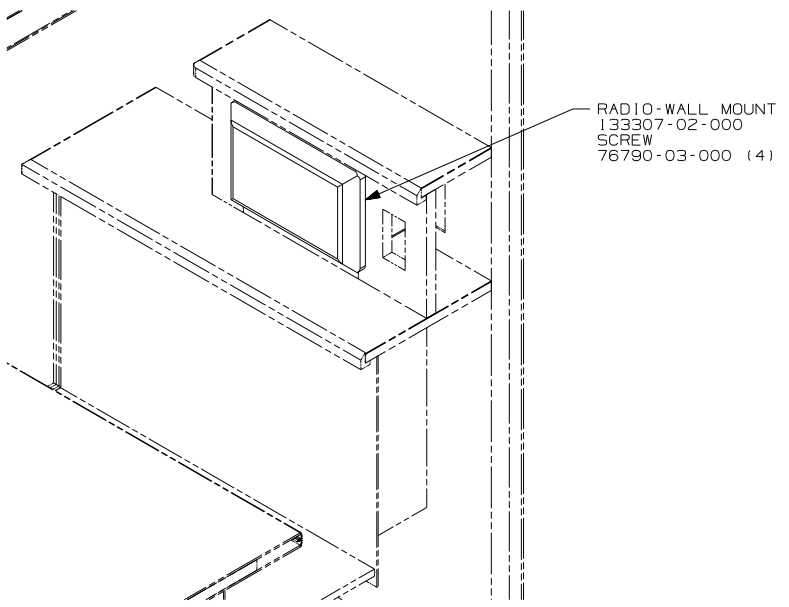


PLATE-WALL, TELEPHONE
(REF) **1**

SPACER
133713-06-CHT
SCREW
G11-08-20D (4)

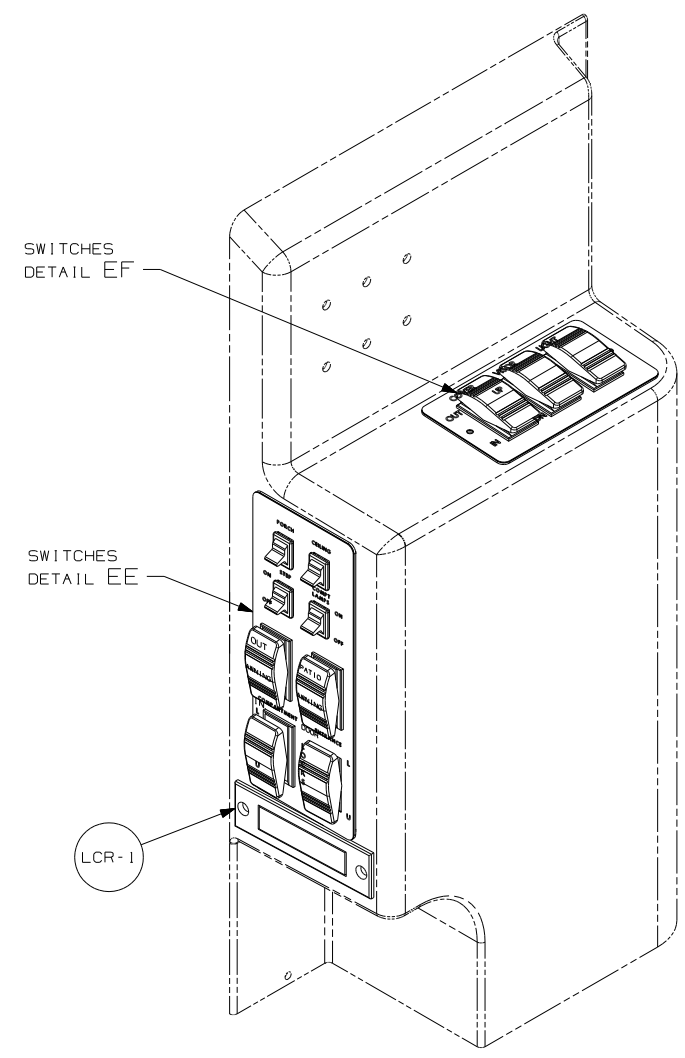
RECEPTACLE-12V
(REF)

VIEW HB **26K**



RADIO-WALL MOUNT
133307-02-000
SCREW
76790-03-000 (4)

VIEW HB **25E**



SWITCHES
DETAIL EF

SWITCHES
DETAIL EE

LCR-1

VIEW HC

- NOTES:
- 2** CONNECT CIRCUIT WB FROM COACH WIRING TO RED WIRTE ON REMOTE PANEL.
 - 1** CONNECT TELEPHONE WIRES TO MATCHING COLORS ON PLATE-TELRPHONE.

- 40G** POWER DOOR LOCK WITH REMOTE
- 290** SOLAR PANEL-10 WATT
- 29H** A/C CENTRAL_HEAT PUMP
- 26K** REAR STEREO SYSTEM WITHOUT
- 25E** STEREO SYSTEM W/CD REAR
- 13X** INVERTER/CHARGER 2.0 KW
- 265** CODES/STANDARDS-CSA/CMVSS
- 1B1** CODES/STANDARDS USA

FOR ELECTRICAL
TORQUE
SPECIFICATIONS
SEE DWG NO.
128783-01-000

FOR ELECTRICAL
CALLOUTS
SEE DWG NO.
121339-01-000

FIRST USED	
05 P34H	
DO NOT SCALE DRAWING	
TITLE: WIRING INSTL-BODY,12V	
SHEET 8	PART NO 150005