



DANGER

Danger of electrical shock, burns or death. Always remove all power sources before attempting any repair, service or diagnostic work. Power can be present from shore power, generator, inverter or battery. All power sources must be disabled and secured before performing any service.

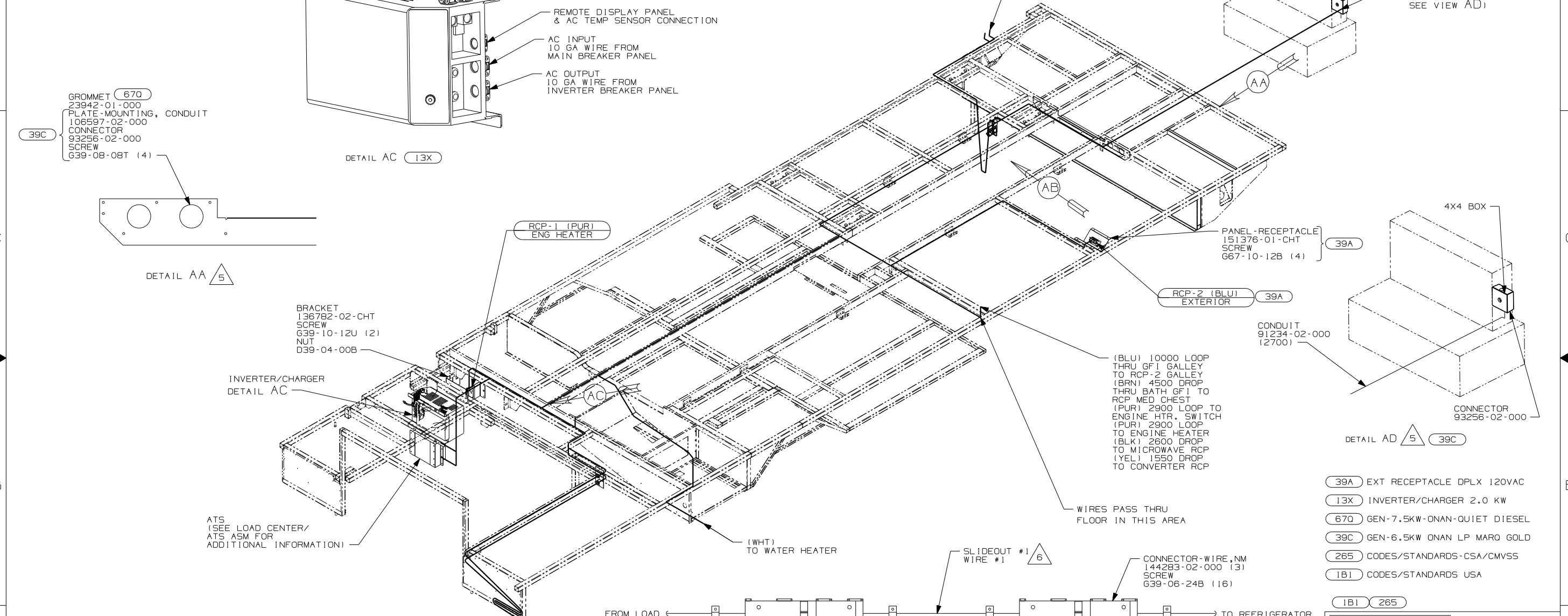


CAUTION

If you lack the skills, tools or equipment to perform diagnostic or repair work leave such work to an authorized Winnebago Industries dealer or other qualified shop.

DRAWING NO.	FEATURE
151721-01	-----
151721-12	(1B1) (78J)
151721-14	(1B1) (78J) (13X)
151721-16	(265) (78J)
151721-18	(265) (78J) (13X)

RELEASE	REV/DATE	DWG NO	151721
REV ZONE	REVISION RECORD	DATE	DFTR-016



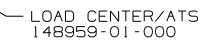
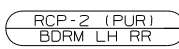
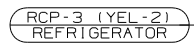
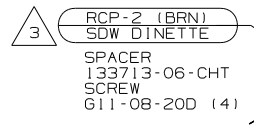
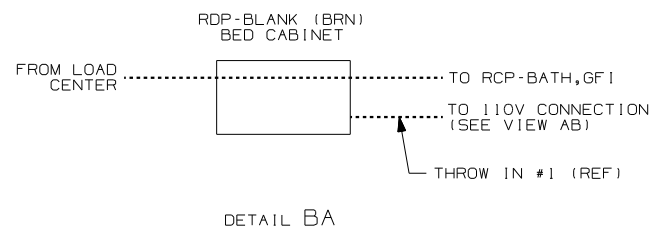
- $\Delta 7$ SEE WIRING INSTL-CHASSIS FOR ADDITIONAL INFORMATION.
- $\Delta 6$ SEE LOAD CENTER/ATS ASM FOR ADDITIONAL INFORMATION.
- $\Delta 5$ SEE GENERATOR INSTALLATION FOR ADDITIONAL INFORMATION.
- 4. SEE EXT ENT CTR COMPT FOR ADDITIONAL INFORMATION.
- 3. WIRES THAT REST ON WIRE TRAYS ARE TO BE TIED DOWN WITH WIRE TIE 8343-02-000.
- 2. CLAMP TO FLOOR SUPPORT TUBES AS NECESSARY WITH CLAMP 10497-01-000.
- 1. ALL WIRES TO BE SECURED WITH CLAMP 10495 OR 10497 OR WIRE TIE 8343 OR 108046 EVERY 600MM, USE SCREW G67-XX-XXX OR G56-XX-XXX AS APPROPRIATE FOR INSTALLATION.

- 39A EXT RECEPTACLE DPLX 120VAC
- 13X INVERTER/CHARGER 2.0 KW
- 670 GEN-7.5KW-ONAN-QUIET DIESEL
- 39C GEN-6.5KW ONAN LP MARO GOLD
- 265 CODES/STANDARDS-CSA/CMVSS
- 1B1 CODES/STANDARDS USA

WINNEBAGO		COPYRIGHT 2004 WINNEBAGO INDUSTRIES, INC.	
DFTR	ORIG. DATE		
CHKR	ALL DIMENSIONS ARE IN MILLIMETERS		
P.E.	FIRST USED	05 P32T	
M.E.			
DSNR			
UNSPECIFIED TOLERANCES ARE:		MATERIAL:	
WHOLE DIM (X)	: 1		
ONE-PLACE (X.X)	: 1.5		
TWO-PLACE (X.XX)	: 0.50		
ANGLE	: 1°		
THIRD ANGLE PROJECTION			
DO NOT SCALE DRAWING			
TITLE: WIRING INSTL-BODY, 110V			
SHEET 1 OF 3	PART NO	151721	
REF: 146713-F 11/4/2004			

FOR ELECTRICAL TORQUE SPECIFICATIONS SEE DWG NO. 128783-01-000

Δ X-X FOR ELECTRICAL CALLOUTS SEE DWG NO. 121339-01-000



TO RIGHT SIDE

3 WIRE IN SIDEWALL

2. ALL WIRES ARE TO BE CLAMPED 10497-05-000 WITHIN 200 OF OUTLET BOXES AND SPLICES. USE SCREW G67-10-12B.

1. ALL WIRES TO BE SECURED WITH CLAMP 10495 OR 10497 OR WIRE TIE 8343 OR 108046 EVERY 600MM, USE SCREW G67-XX-XXX OR G56-XX-XXX AS APPROPRIATE FOR INSTALLATION.

NOTES:

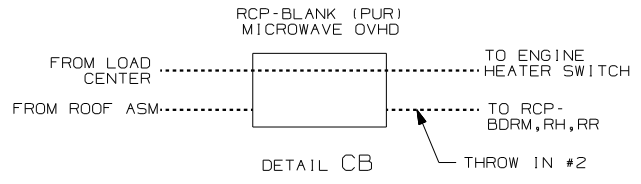
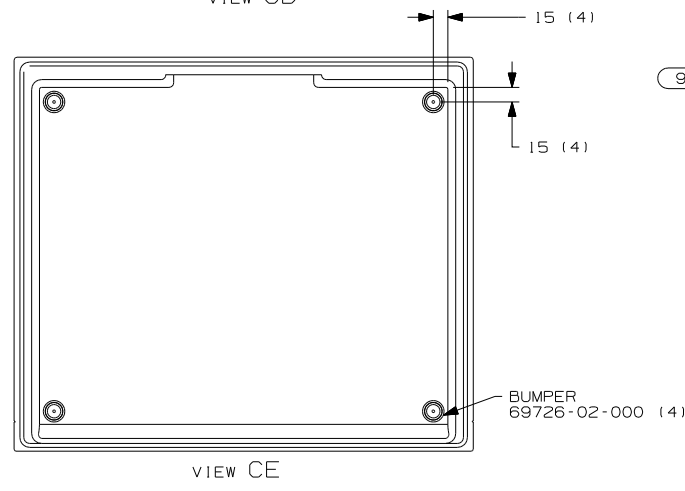
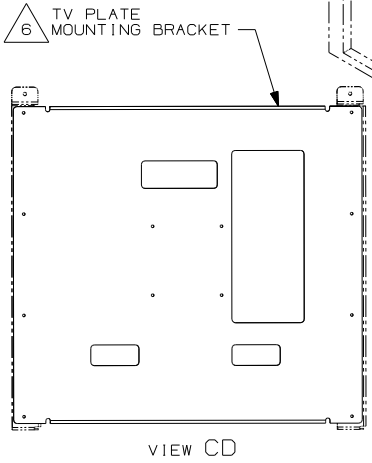
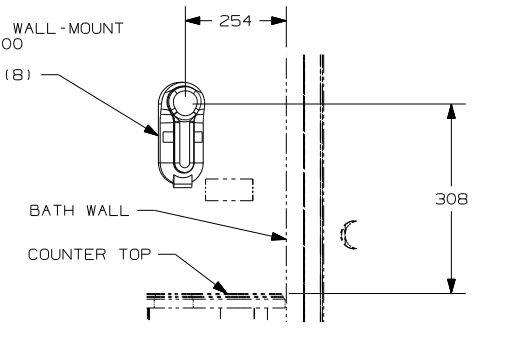
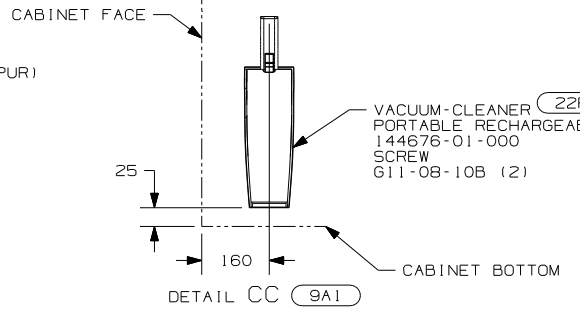
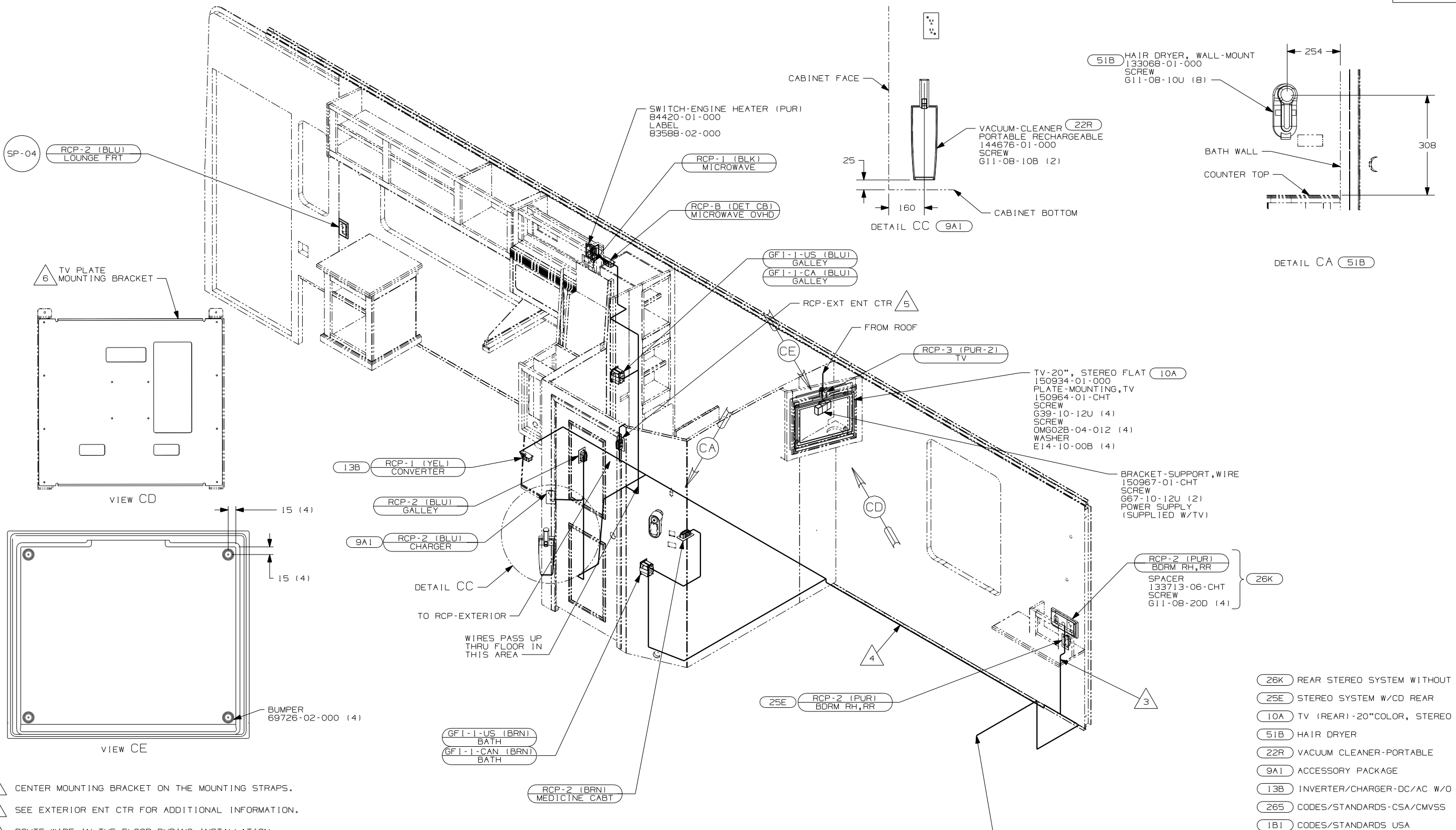
- 49M MATTRESS, AIR
- 265 CODES/STANDARDS - CSA/CMVSS
- 1B1 CODES/STANDARDS USA

1B1 265

FOR ELECTRICAL TORQUE SPECIFICATIONS SEE DWG NO. 128783-01-000

FOR ELECTRICAL CALLOUTS SEE DWG NO. 121339-01-000

FIRST USED	
05 P32T	
DO NOT SCALE DRAWING	
TITLE: WIRING INSTL-BODY, 110V	
SHEET 2	PART NO 151721



- (26K) REAR STEREO SYSTEM WITHOUT
- (25E) STEREO SYSTEM W/CD REAR
- (10A) TV (REAR) -20"COLOR, STEREO
- (51B) HAIR DRYER
- (22R) VACUUM CLEANER-PORTABLE
- (9A1) ACCESSORY PACKAGE
- (13B) INVERTER/CHARGER-DC/AC W/O
- (265) CODES/STANDARDS-CSA/CMVSS
- (1B1) CODES/STANDARDS USA

- △6 CENTER MOUNTING BRACKET ON THE MOUNTING STRAPS.
- △5 SEE EXTERIOR ENT CTR FOR ADDITIONAL INFORMATION.
- △4 ROUTE WIRE IN THE FLOOR DURING INSTALLATION.
- △3 ROUTE WIRE IN SIDEWALL DURING INSTALLATION.

2. ALL WIRES ARE TO BE CLAMPED WITH CLAMP 10497-05-000 WITH IN 200 OF OUTLET BOXES AND SPLICES, USE SCREW G67-10-12B.

1. ALL WIRES TO BE SECURED WITH CLAMP 10495 OR 10497 OR WIRE TIE 8343 OR 108046 EVERY 600MM, USE SCREW G67-XX-XXX OR G56-XX-XXX AS APPROPRIATE FOR INSTALLATION.

FOR ELECTRICAL TORQUE SPECIFICATIONS SEE DWG NO. 128783-01-000

FOR ELECTRICAL CALLOUTS SEE DWG NO. 121339-01-000

FIRST USED	
05 P32T	
DO NOT SCALE DRAWING	
TITLE: WIRING INSTL-BODY, 110V	
SHEET 3	PART NO 151721