



DANGER

Danger of electrical shock, burns or death. Always remove all power sources before attempting any repair, service or diagnostic work. Power can be present from shore power, generator, inverter or battery. All power sources must be disabled and secured before performing any service.

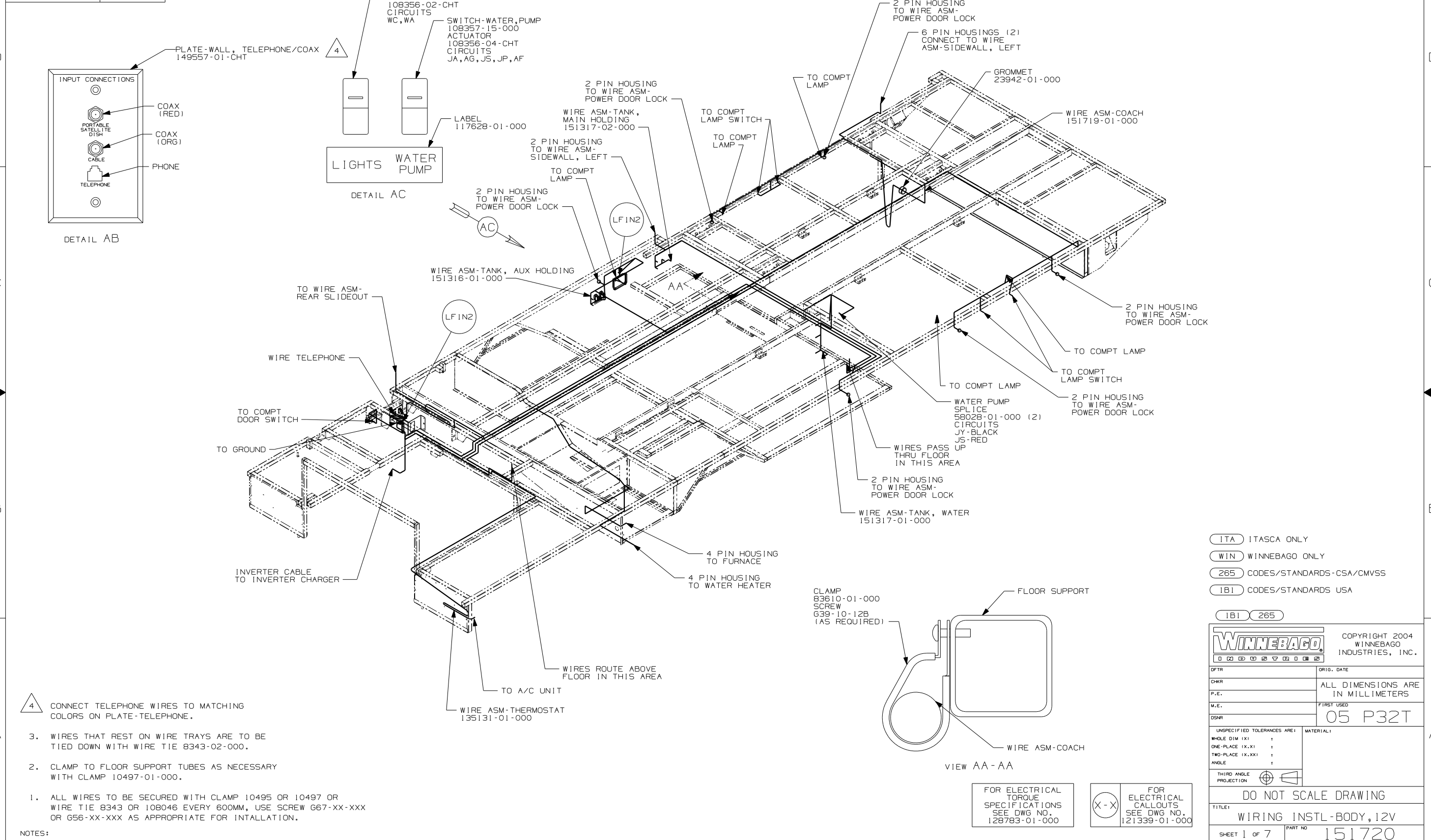


CAUTION

If you lack the skills, tools or equipment to perform diagnostic or repair work leave such work to an authorized Winnebago Industries dealer or other qualified shop.

DRAWING NO.	FEATURE
151720-01	(WIN)
151720-02	(ITA)

RELEASE	REV DATE	DWG NO
A		151720
REV ZONE	REVISION RECORD	DATE DFR-ORIG



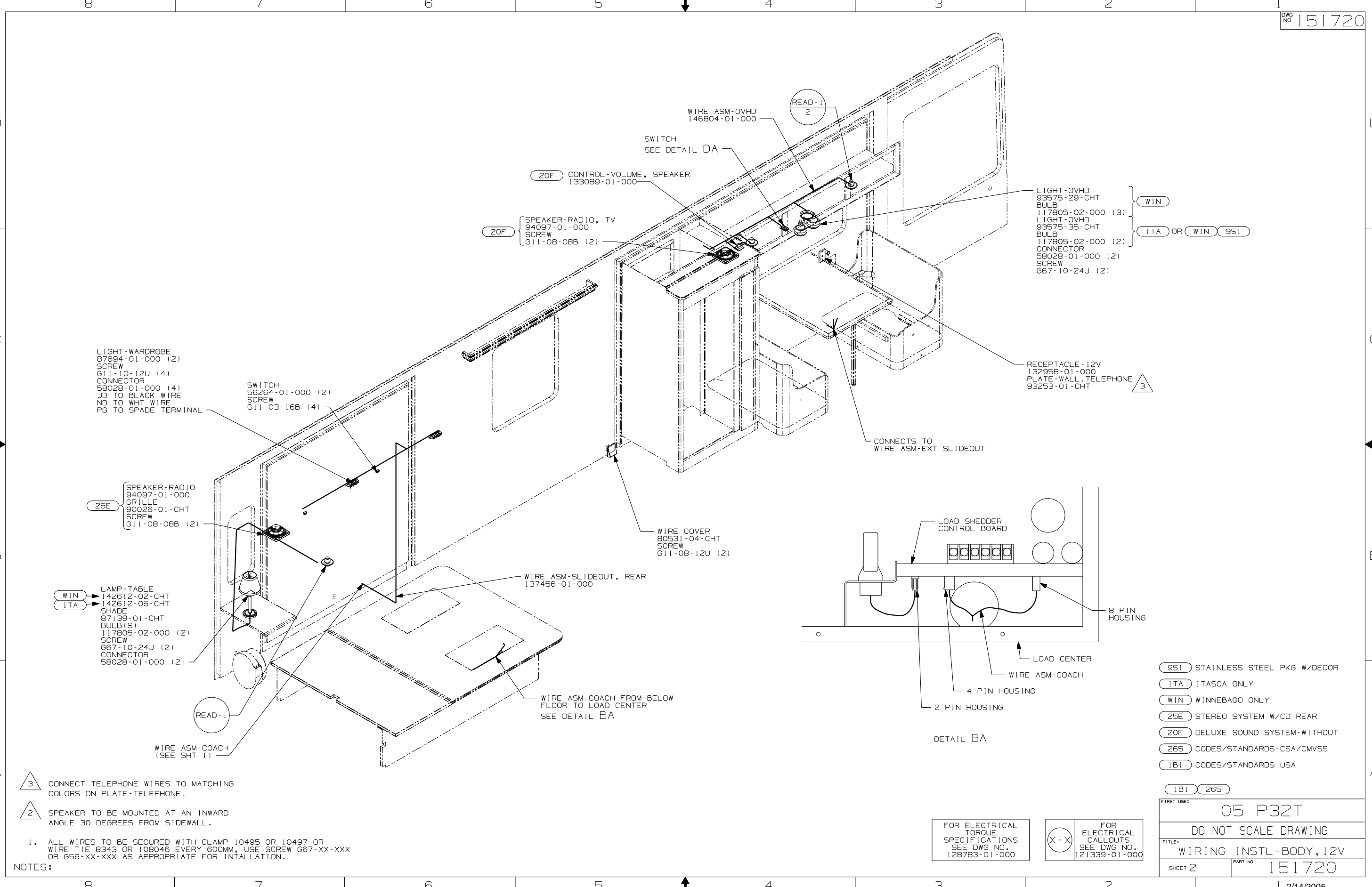
4. CONNECT TELEPHONE WIRES TO MATCHING COLORS ON PLATE-TELEPHONE.
3. WIRES THAT REST ON WIRE TRAYS ARE TO BE TIED DOWN WITH WIRE TIE 8343-02-000.
2. CLAMP TO FLOOR SUPPORT TUBES AS NECESSARY WITH CLAMP 10497-01-000.
1. ALL WIRES TO BE SECURED WITH CLAMP 10495 OR 10497 OR WIRE TIE 8343 OR 108046 EVERY 600MM, USE SCREW G67-XX-XXX OR G56-XX-XXX AS APPROPRIATE FOR INTALLATION.

- (ITA) ITASCA ONLY
- (WIN) WINNEBAGO ONLY
- (265) CODES/STANDARDS-CSA/CMVSS
- (1B1) CODES/STANDARDS USA
- (1B1) (265)

		COPYRIGHT 2004 WINNEBAGO INDUSTRIES, INC.
DFTR	ORIG. DATE	
CHKR	ALL DIMENSIONS ARE IN MILLIMETERS	
P.E.		
M.E.	FIRST USED	05 P32T
DSNR		
UNSPECIFIED TOLERANCES ARE:	MATERIAL:	
WHOLE DIM (X)	:	
ONE-PLACE (X.X)	:	
TWO-PLACE (X.XX)	:	
ANGLE	:	
THIRD ANGLE PROJECTION		
DO NOT SCALE DRAWING		
TITLE: WIRING INSTL-BODY, 12V		
SHEET 1 OF 7	PART NO	151720

FOR ELECTRICAL TORQUE SPECIFICATIONS SEE DWG NO. 128783-01-000

(X-X) FOR ELECTRICAL CALLOUTS SEE DWG NO. 121339-01-000



LIGHT-WARDROBE
87694-01-000 (2)
SCREW
G11-10-12U (4)
CONNECTOR
58028-01-000 (4)
JD TO BLACK WIRE
ND TO WHT WIRE
PG TO SPADE TERMINAL

SWITCH
56264-01-000 (2)
SCREW
G11-03-16B (4)

(20F) SPEAKER-RADIO, TV
94097-01-000
SCREW
G11-08-08B (2)

(20F) CONTROL-VOLUME, SPEAKER
133089-01-000

WIRE_ASM-OVHD
146804-01-000

SWITCH
SEE DETAIL DA

READ-1
2

LIGHT-OVHD
93575-29-CHT
BULB
117805-02-000 (3)
LIGHT-OVHD
93575-35-CHT
BULB
117805-02-000 (2)
CONNECTOR
58028-01-000 (2)
SCREW
G67-10-24J (2)

(WIN)

(ITA) OR (WIN) (951)

RECEPTACLE-12V
132958-01-000
PLATE-WALL, TELEPHONE
93253-01-CHT

3

CONNECTS TO
WIRE_ASM-EXT SLIDEOUT

(25E) SPEAKER-RADIO
94097-01-000
GRILLE
90026-01-CHT
SCREW
G11-08-08B (2)

WIRE COVER
80531-04-CHT
SCREW
G11-08-12U (2)

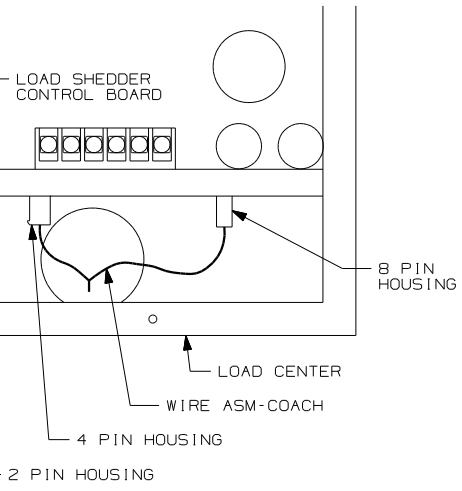
WIRE_ASM-SLIDEOUT, REAR
137456-01-000

(WIN) LAMP-TABLE
142612-02-CHT
142612-05-CHT
(ITA) SHADE
87139-01-CHT
BULB(S)
117805-02-000 (2)
SCREW
G67-10-24J (2)
CONNECTOR
58028-01-000 (2)

WIRE_ASM-COACH FROM BELOW
FLOOR TO LOAD CENTER
SEE DETAIL BA

WIRE_ASM-COACH
(SEE SHT 1)

READ-1



DETAIL BA

- (951) STAINLESS STEEL PKG W/DECOR
- (ITA) ITASCA ONLY
- (WIN) WINNEBAGO ONLY
- (25E) STEREO SYSTEM W/CD REAR
- (20F) DELUXE SOUND SYSTEM-WITHOUT
- (265) CODES/STANDARDS-CSA/CMVSS
- (1B1) CODES/STANDARDS USA

- 3 CONNECT TELEPHONE WIRES TO MATCHING COLORS ON PLATE-TELEPHONE.
- 2 SPEAKER TO BE MOUNTED AT AN INWARD ANGLE 30 DEGREES FROM SIDEWALL.

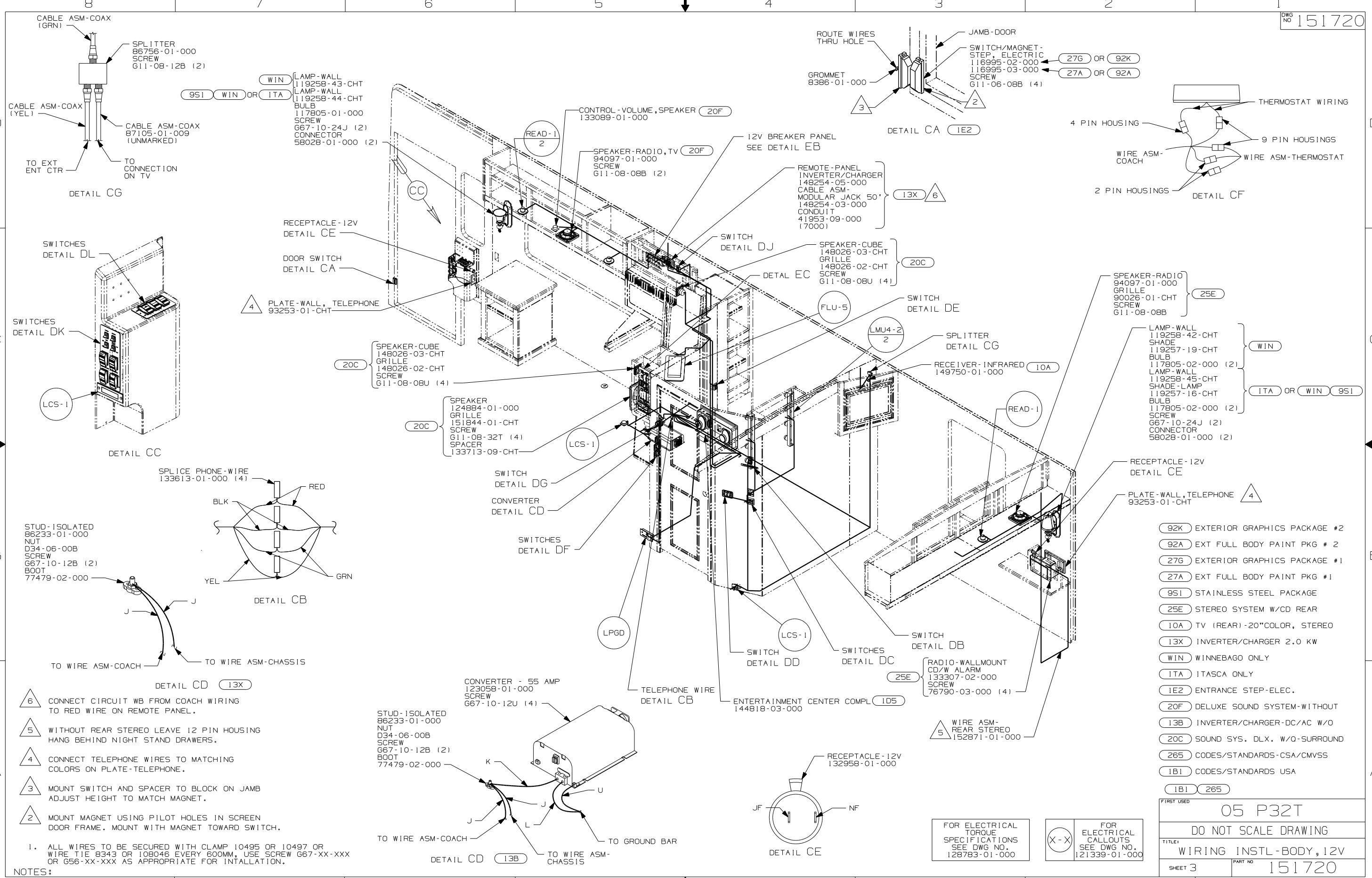
1. ALL WIRES TO BE SECURED WITH CLAMP 10495 OR 10497 OR WIRE TIE 8343 OR 108046 EVERY 600MM, USE SCREW G67-XX-XXX OR G56-XX-XXX AS APPROPRIATE FOR INTALLATION.

NOTES:

FOR ELECTRICAL TORQUE SPECIFICATIONS SEE DWG NO. 128783-01-000

FOR ELECTRICAL CALLOUTS SEE DWG NO. 121339-01-000

FIRST USED	05 P32T
TITLE	DO NOT SCALE DRAWING
TITLE	WIRING INSTL-BODY, 12V
SHEET 2	PART NO 151720



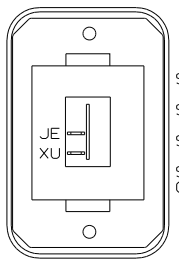
- NOTES:
1. ALL WIRES TO BE SECURED WITH CLAMP 10495 OR 10497 OR WIRE TIE 8343 OR 108046 EVERY 600MM, USE SCREW 667-XX-XXX OR 656-XX-XXX AS APPROPRIATE FOR INSTALLATION.
 2. MOUNT MAGNET USING PILOT HOLES IN SCREEN DOOR FRAME. MOUNT WITH MAGNET TOWARD SWITCH.
 3. MOUNT SWITCH AND SPACER TO BLOCK ON JAMB ADJUST HEIGHT TO MATCH MAGNET.
 4. CONNECT TELEPHONE WIRES TO MATCHING COLORS ON PLATE-TELEPHONE.
 5. WITHOUT REAR STEREO LEAVE 12 PIN HOUSING HANG BEHIND NIGHT STAND DRAWERS.
 6. CONNECT CIRCUIT WB FROM COACH WIRING TO RED WIRE ON REMOTE PANEL.

- (92K) EXTERIOR GRAPHICS PACKAGE #2
- (92A) EXT FULL BODY PAINT PKG # 2
- (27G) EXTERIOR GRAPHICS PACKAGE #1
- (27A) EXT FULL BODY PAINT PKG #1
- (95I) STAINLESS STEEL PACKAGE
- (25E) STEREO SYSTEM W/CD REAR
- (10A) TV (REAR) -20"COLOR, STEREO
- (13X) INVERTER/CHARGER 2.0 KW
- (WIN) WINNEBAGO ONLY
- (ITA) ITASCA ONLY
- (1E2) ENTRANCE STEP-ELEC.
- (20F) DELUXE SOUND SYSTEM-WITHOUT
- (13B) INVERTER/CHARGER-DC/AC W/O
- (20C) SOUND SYS. DLX. W/O-SURROUND
- (265) CODES/STANDARDS-CSA/CMVSS
- (1B1) CODES/STANDARDS USA
- (1B1) (265)

FIRST USED	
05 P32T	
DO NOT SCALE DRAWING	
TITLE: WIRING INSTL-BODY, 12V	
SHEET 3	PART NO 151720

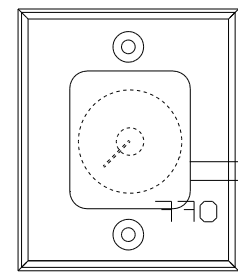
FOR ELECTRICAL TORQUE SPECIFICATIONS SEE DWG NO. 128783-01-000

FOR ELECTRICAL CALLOUTS SEE DWG NO. 121339-01-000

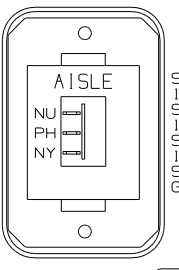


SWITCH-ROCKER
135740-01-CHT
SWITCH-BASE
135741-01-CHT
SWITCH-BEZEL
135742-01-CHT
SCREW
G11-08-08U (2)

DETAIL DA

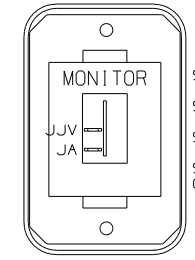


SWITCH
137889-01-000
SCREW
G11-06-10U (2)

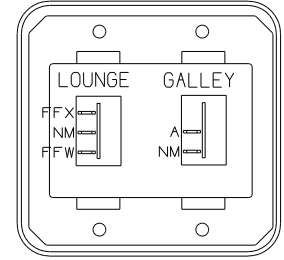


SWITCH-ROCKER
135740-01-CHT
SWITCH-BASE
135741-01-CHT
SWITCH-BEZEL
135742-06-CHT
SCREW
G11-08-08U (2)

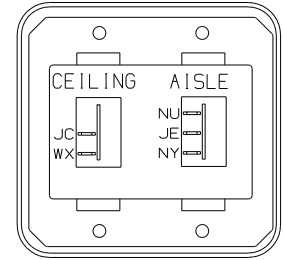
DETAIL DC 412



SWITCH-ROCKER
135740-01-CHT
SWITCH-BASE
135741-01-CHT
SWITCH-BEZEL
135742-30-CHT
SCREW
G11-08-08U (2)

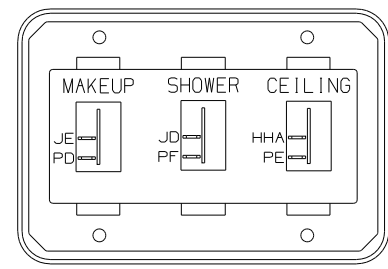


SWITCH-ROCKER
135740-01-CHT
135740-02-CHT
SWITCH-BASE
135741-02-CHT
SWITCH-BEZEL
135742-18-CHT
SCREW
G11-08-08U (4)



SWITCH-ROCKER
135740-01-CHT
135740-02-CHT
SWITCH-BASE
135741-02-CHT
SWITCH-BEZEL
135742-13-CHT
SCREW
G11-08-08U (4)

DETAIL DF



SWITCH-ROCKER
135740-01-CHT (3)
SWITCH-BASE
135741-03-CHT
SWITCH-BEZEL
135742-28-CHT
SCREW
G11-08-08U (4)

DETAIL DD

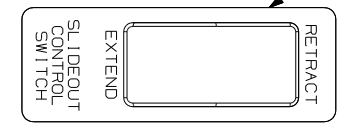
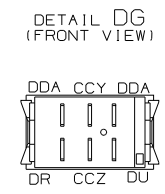
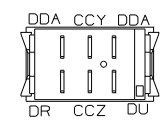


PLATE-SWITCH
144363-09-CHT
SWITCH
108357-06-000
ACTUATOR
108356-02-CHT
NUT
D65-08-00B (2)
LABEL
116220-01-000

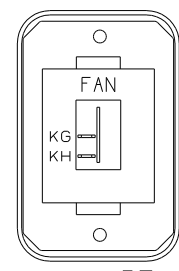
WARNING UNDERSTAND OPERATOR'S MANUAL BEFORE USING
KEEP PEOPLE AND OBSTRUCTIONS CLEAR OF
SLIDEOUT ROOM WHEN OPERATING TO AVOID
INJURY AND/OR PROPERTY DAMAGE



DETAIL DG (FRONT VIEW)

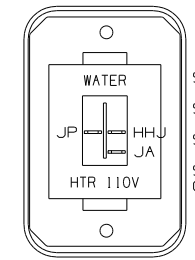


DETAIL DG (REAR VIEW)



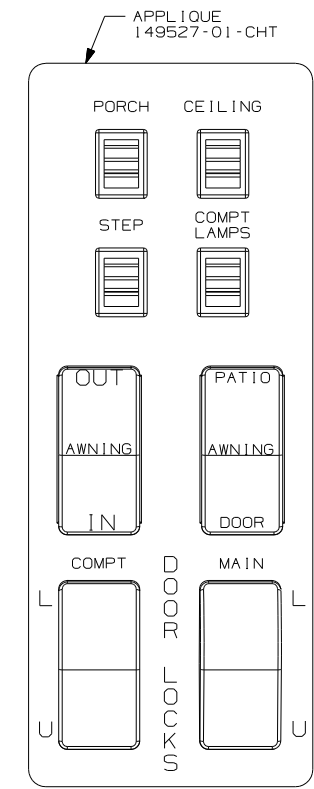
SWITCH-ROCKER
135740-01-CHT
SWITCH-BASE
135741-01-CHT
SWITCH-BEZEL
135742-12-CHT
SCREW
G11-08-08U (2)

DETAIL DE

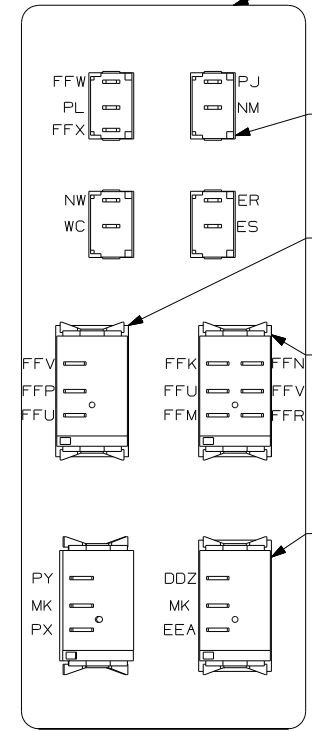


SWITCH-ROCKER
135740-06-CHT
SWITCH-BASE
135741-01-CHT
SWITCH-BEZEL
135742-35-CHT
SCREW
G11-08-08U (2)

DETAIL DJ



DETAIL DK (FRONT SIDE)



DETAIL DK (BACK SIDE)

PLATE-SWITCH, CONSOLE, RH
149521-01-CHT
SCREW
G11-06-10U (4)

SWITCH
132180-01-CHT (3)
132180-02-CHT

SWITCH-AWNING SELECT
108357-08-000
ACTUATOR
108356-13-CHT
SWITCH-BLANK
96241-03-000

SWITCH-AWNING CONTROL
108357-06-000
ACTUATOR
108356-12-CHT
SWITCH-BLANK
96241-03-000

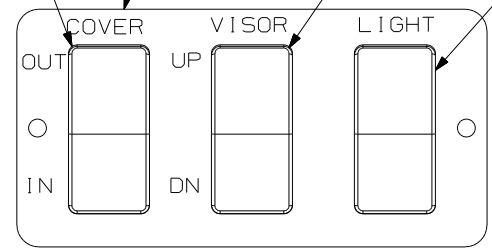
SWITCH-DOOR LOCKS
108357-07-000 (2)
ACTUATOR
108356-01-CHT (2)

SWITCH-COVER
108357-06-000
ACTUATOR-SWITCH
108356-01-CHT
CIRCUITS
GX, HHC, KA, HDD

PLATE-SWITCH
142487-01-CHT
APPLIQUE
142475-01-CHT
SCREW
G11-06-10U (2)

SWITCH-VISOR
108357-06-000
ACTUATOR-SWITCH
108356-01-CHT
CIRCUITS
HHN, MK, HHM, MU
SWITCH-BLANK
96241-03-000

SWITCH-LAMPS
108357-01-000
ACTUATOR-SWITCH
108356-01-CHT
CIRCUITS
FFW, PL, FFX



DETAIL DL

- (40G) POWER DOOR LOCK WITH REMOTE
- (41Y) FAN - CEILING
- (412) DECORATIVE LIGHT - CEILING
- (28K) SUNVISORS - MANUAL (2)
- (28J) SUNVISORS - POWERED (2)
- (9C1) AWNING-ELECTRIC PACKAGE
- (265) CODES/STANDARDS-CSA/CMVSS
- (1B1) CODES/STANDARDS USA
- (1B1) (265)

FIRST USED	
05 P32T	
DO NOT SCALE DRAWING	
TITLE: WIRING INSTL-BODY, 12V	
SHEET 4	PART NO 151720

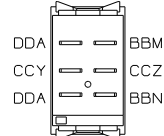
FOR ELECTRICAL
TORQUE
SPECIFICATIONS
SEE DWG NO.
128783-01-000

FOR ELECTRICAL
CALLOUTS
SEE DWG NO.
121339-01-000

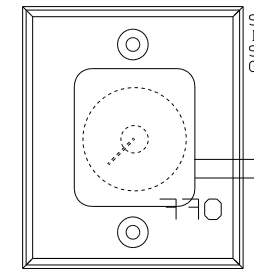
LABEL-WARNING
116549-01-000

WARNING UNDERSTAND OPERATOR'S MANUAL BEFORE USING
KEEP PEOPLE AND OBSTRUCTIONS CLEAR OF
SLIDEOUT ROOM WHEN OPERATING TO AVOID
INJURY AND/OR PROPERTY DAMAGE

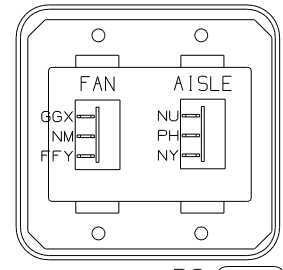
DETAIL DB (FRONT VIEW)



DETAIL DB (REAR VIEW)



SWITCH
137889-01-000
SCREW
G11-06-10U (2)

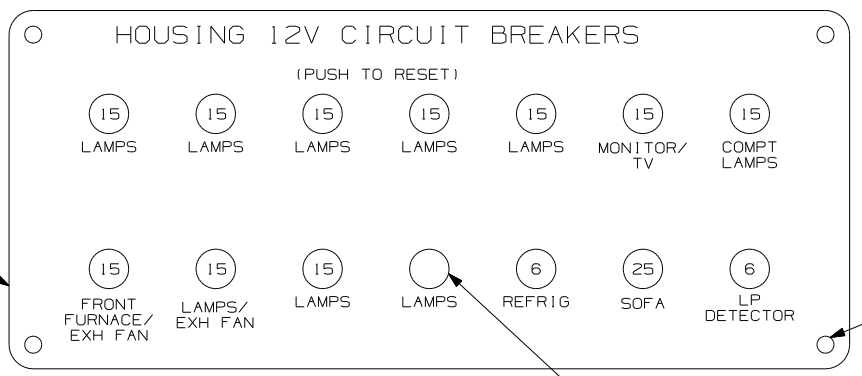


SWITCH-ROCKER
135740-02-CHT (2)
SWITCH-BASE
135741-02-CHT
SWITCH-BEZEL
135742-02-CHT
SCREW
G11-08-08U (4)
WIRE ASM-RESISTOR, FAN
140195-01-000

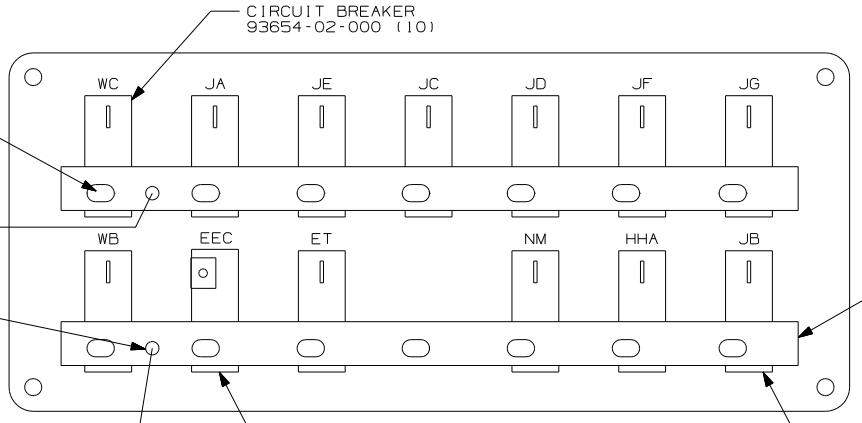
DETAIL DC 41Y

CONNECT WIRE ASM-RESISTOR, FAN TO 2-PIN HOUSING LOCATED BY THE SWITCH WIRES

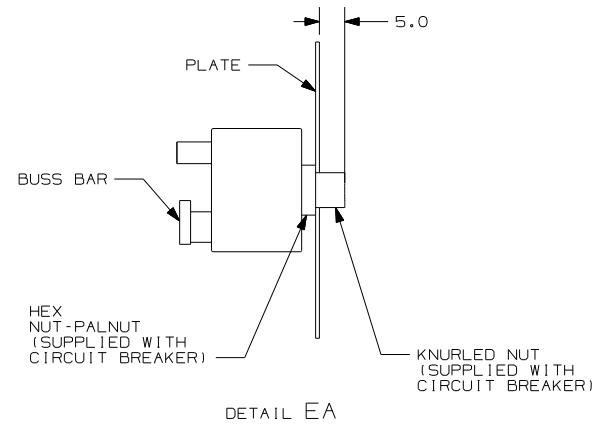
NOTES:



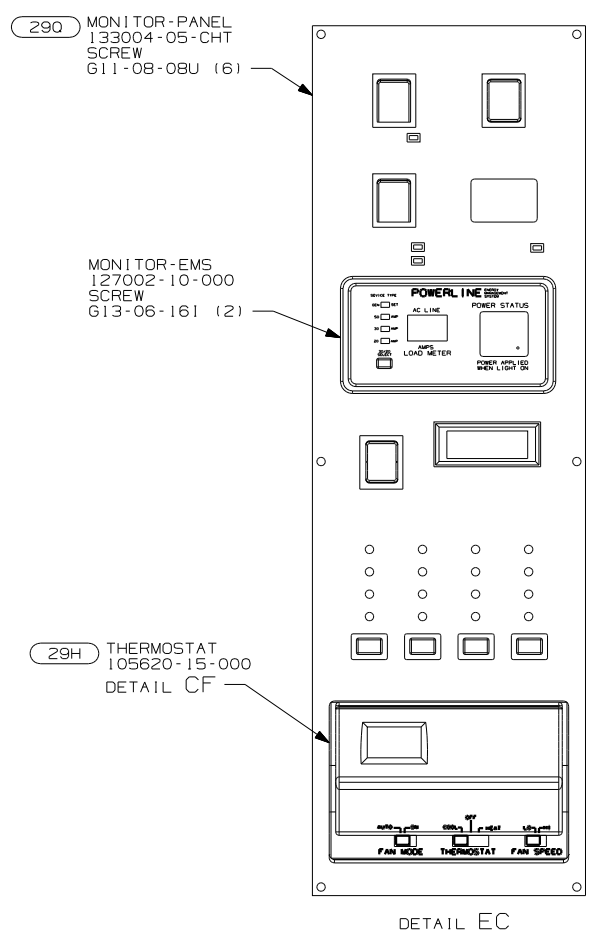
CIRCUIT BREAKER
(FRONT VIEW)
DETAIL EB



CIRCUIT BREAKER
(BACK VIEW)
DETAIL EB



DETAIL EA



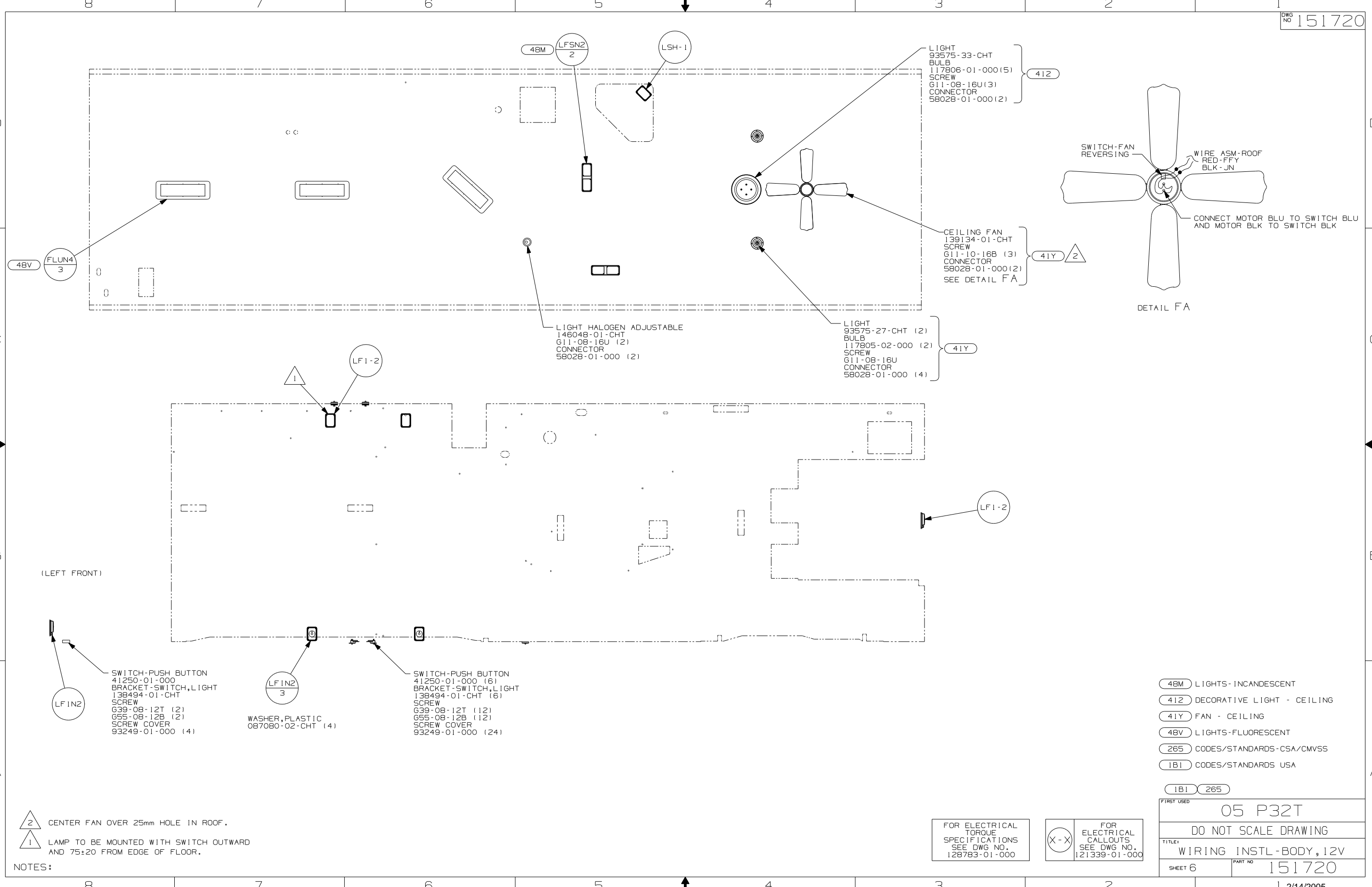
DETAIL EC

- (29H) A/C CENTRAL HEAT PUMP
- (290) SOLAR PANEL - 10 WATT
- (265) CODES/STANDARDS - CSA/CMVSS
- (1B1) CODES/STANDARDS USA

FIRST USED	
05 P32T	
DO NOT SCALE DRAWING	
TITLE:	
WIRING INSTL - BODY, 12V	
SHEET 5	PART NO 151720

FOR ELECTRICAL TORQUE SPECIFICATIONS SEE DWG NO. 128783-01-000

(X-X) FOR ELECTRICAL CALLOUTS SEE DWG NO. 121339-01-000



LIGHT
93575-33-CHT
BULB
117806-01-000 (5)
SCREW
G11-08-16U (3)
CONNECTOR
58028-01-000 (2)

412

CEILING FAN
139134-01-CHT
SCREW
G11-10-16B (3)
CONNECTOR
58028-01-000 (2)
SEE DETAIL FA

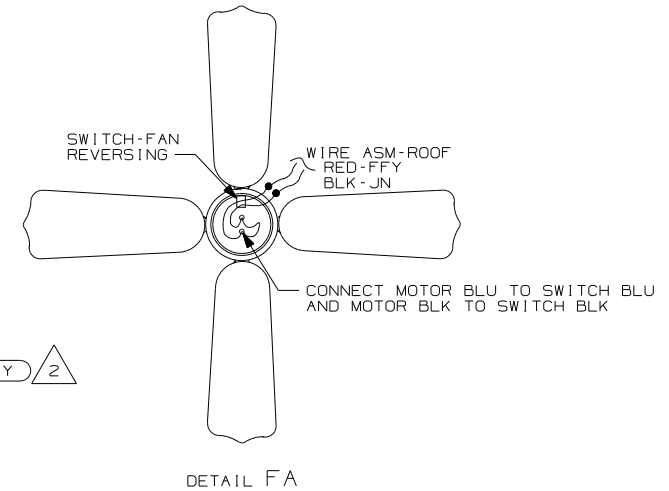
41Y 2

LIGHT HALOGEN ADJUSTABLE
146048-01-CHT
G11-08-16U (2)
CONNECTOR
58028-01-000 (2)

41Y

LIGHT
93575-27-CHT (2)
BULB
117805-02-000 (2)
SCREW
G11-08-16U
CONNECTOR
58028-01-000 (4)

41Y



DETAIL FA

SWITCH-PUSH BUTTON
41250-01-000
BRACKET-SWITCH, LIGHT
138494-01-CHT
SCREW
G39-08-12T (2)
G55-08-12B (2)
SCREW COVER
93249-01-000 (4)

WASHER, PLASTIC
087080-02-CHT (4)

SWITCH-PUSH BUTTON
41250-01-000 (6)
BRACKET-SWITCH, LIGHT
138494-01-CHT (6)
SCREW
G39-08-12T (12)
G55-08-12B (12)
SCREW COVER
93249-01-000 (24)

- 48M LIGHTS- INCANDESCENT
- 412 DECORATIVE LIGHT - CEILING
- 41Y FAN - CEILING
- 48V LIGHTS-FLUORESCENT
- 265 CODES/STANDARDS- CSA/CMVSS
- 1B1 CODES/STANDARDS USA

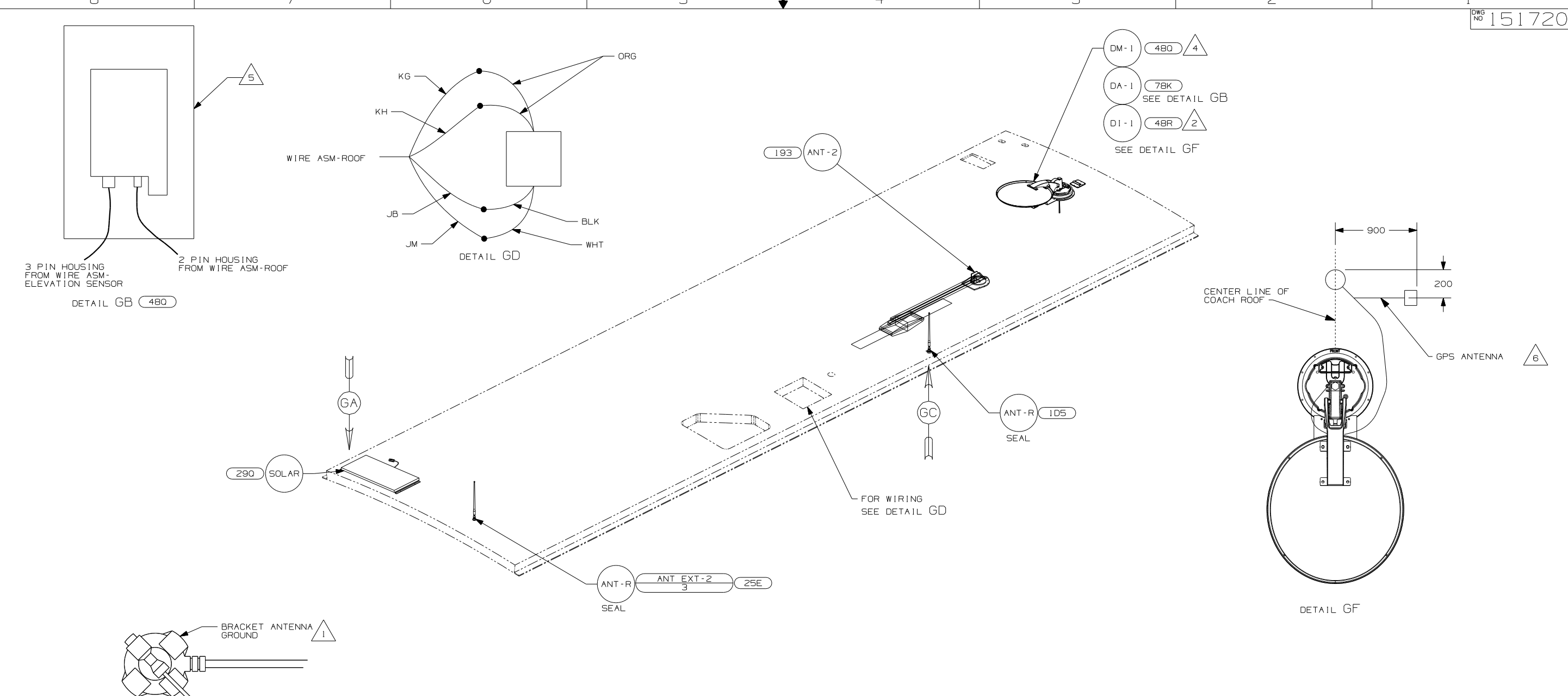
1B1 265

- NOTES:
- 2 CENTER FAN OVER 25mm HOLE IN ROOF.
 - 1 LAMP TO BE MOUNTED WITH SWITCH OUTWARD AND 75±20 FROM EDGE OF FLOOR.

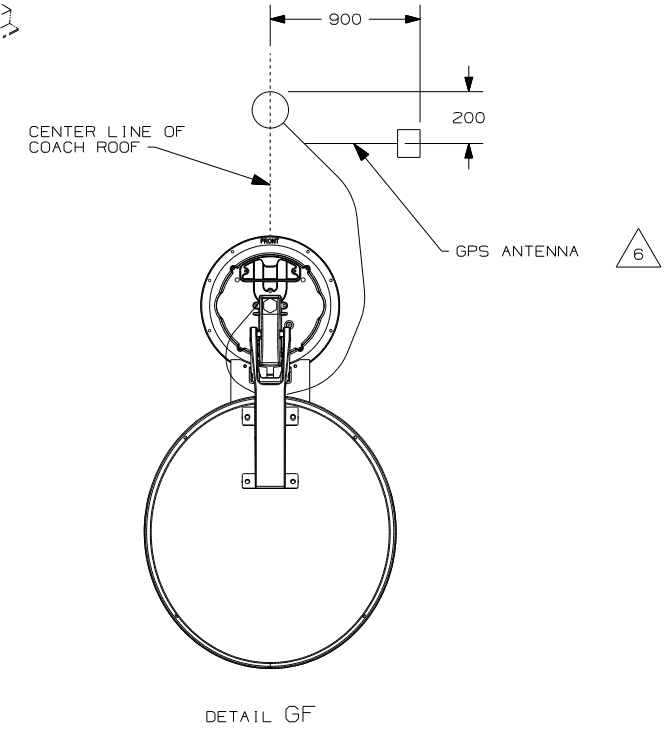
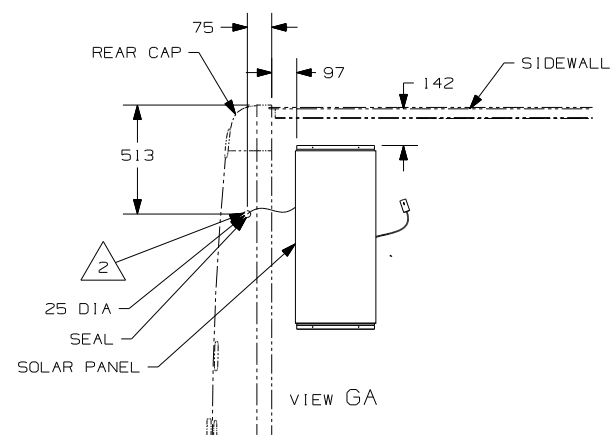
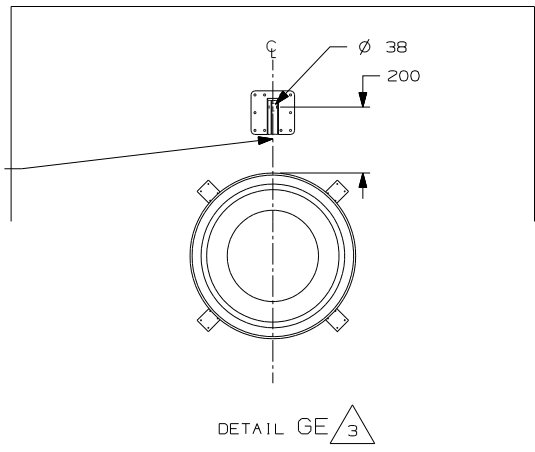
FOR ELECTRICAL TORQUE SPECIFICATIONS SEE DWG NO. 128783-01-000

FOR ELECTRICAL CALLOUTS SEE DWG NO. 121339-01-000

FIRST USED	05 P32T
TITLE	DO NOT SCALE DRAWING
	WIRING INSTL-BODY, 12V
SHEET 6	PART NO 151720



- NOTES:
- △ 6 MOUNT GPS ANTENNA TO THE RIGHT OF THE SATELLITE AS SHOWN. SECURE CABLE WITH ROOF SEALANT.
 - △ 5 SENSOR SUPPLIED WITH SATELLITE ASSEMBLY.
 - △ 4 SEE DETAIL GD FOR ELEVATION SENSOR ASSEMBLY.
 - △ 3 REMOVE ALL SHIPPING RESTRAINTS AND FIRMLY INSERT THE SUPPLIED PLUGS INTO THE APPROPRIATE SIZED HOLES AS SPECIFIED IN THE INSTALLATION PROCESS.
 - △ 2 SEE DETAIL GE FOR SATELLITE LOCATION.
 - △ 1 WRAP BRACKET LEGS AROUND ANTENNA BASE.



- 78K SATELLITE DISH-AUTOMATIC
- 48R SAT SYS IN-MOTION W/O RCVR
- 26L REAR STEREO SYSTEM W/CASSETTE
- 25E REAR STEREO SYSTEM W/CD
- 290 SOLAR PANEL-10 WATT
- 105 ENTERTAINMENT CENTR/EXT W/CD
- 480 SATELLITE DISH & ELEV.SENSOR
- 193 TV ANTENNA-AMPLIFIED SYSTEM
- 265 CODES/STANDARDS-CSA/CMVSS
- 1B1 CODES/STANDARDS USA

FIRST USED	05 P32T
TITLE	DO NOT SCALE DRAWING
SHEET 7	WIRING INSTL-BODY, 12V
PART NO	151720