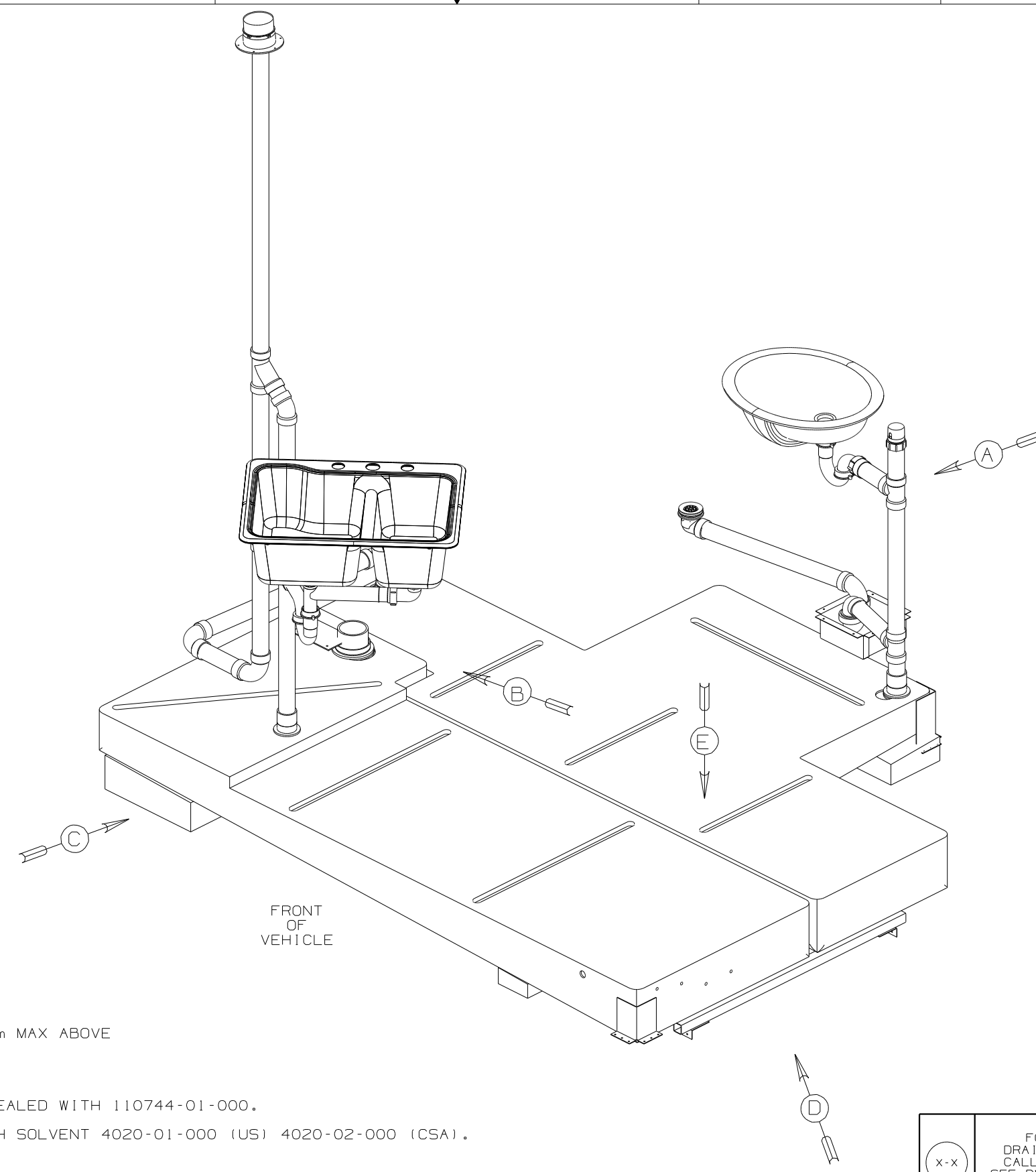


DWG NO	----
151469-01	(WIN)
151469-02	(ITA)

RELEASE	REV DATE	DWG NO
A		151469
REV ZONE	REVISION RECORD	DATE
		DFTR-ORIG

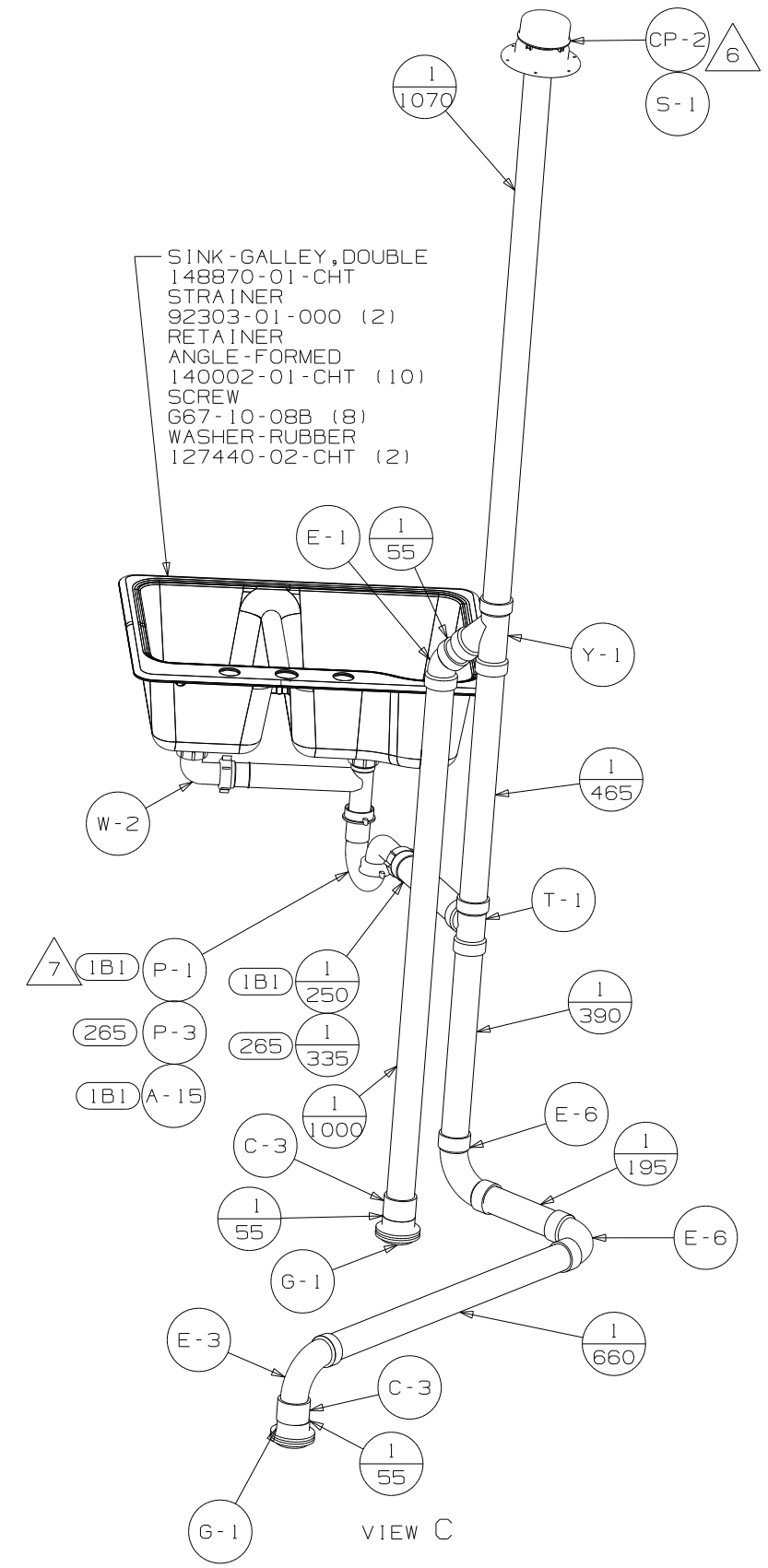
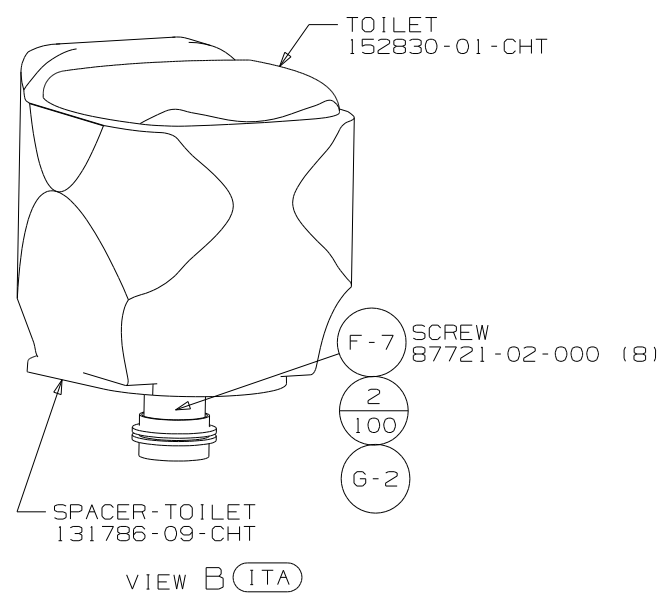
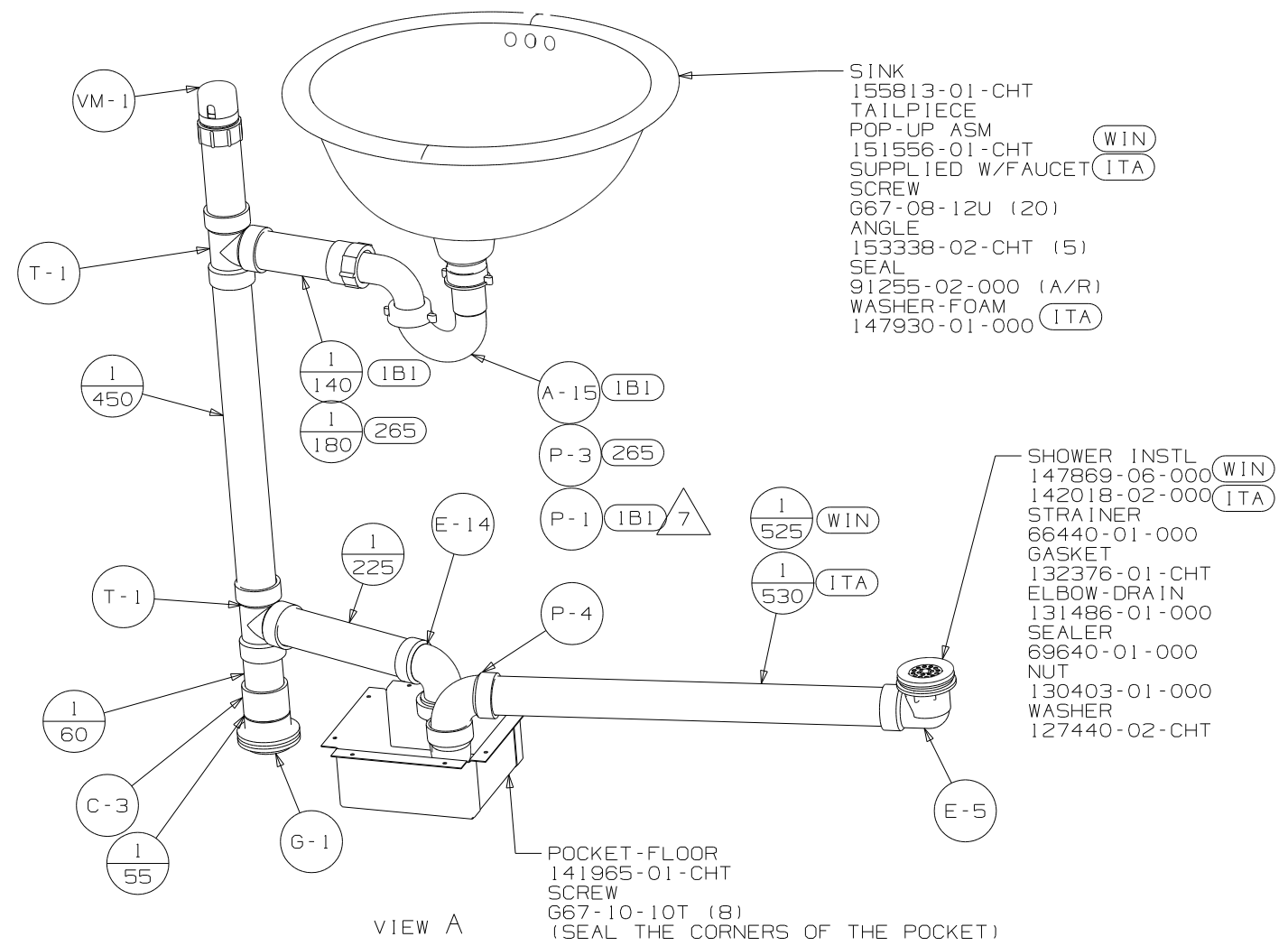


- (WIN) WINNEBAGO ONLY
- (ITA) ITASCA ONLY
- (430) TOILET-PORCELAIN
- (43M) TOILET PORCELAIN-ELONGATED
- (265) CODES/STDS-CSA/CVSS
- (1B1) CODES/STANDARS-USA

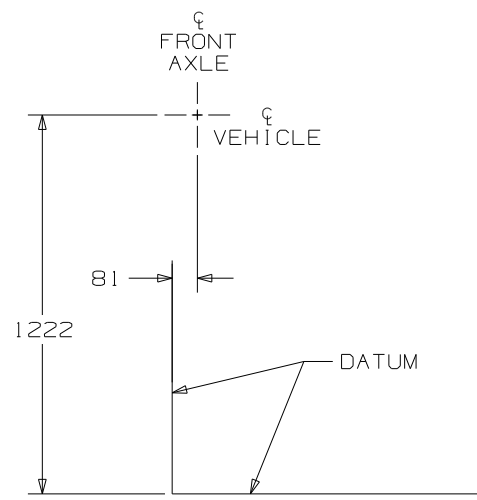
- NOTES:
- 7 TRIM TO FIT.
  - 6 VENT PIPE MUST PROJECT 51 mm MIN AND 64 mm MAX ABOVE ROOF FOR PROPER FIT.
  5. SEAL AROUND SHOWER WITH SILICONE.
  4. ALL EXTERIOR OPENINGS AROUND PIPE TO BE SEALED WITH 110744-01-000.
  3. ALL PIPE AND FITTINGS TO BE ASSEMBLED WITH SOLVENT 4020-01-000 (US) 4020-02-000 (CSA).
  2. SLOPE OF TRAP ARM MUST BE 6 PER 305 mm.
  1. SLOPE OF HORIZONTAL PIPING TO BE 6 PER 305 mm.

(X-X)  
FOR DRAINAGE CALLOUTS SEE DWG NO. 116229-01-000

<b>WINNEBAGO</b>		COPYRIGHT 2005 WINNEBAGO INDUSTRIES, INC.	
DFTR	ORIG. DATE	ALL DIMENSIONS ARE IN MILLIMETERS	
CHKR		MATERIAL: 05 P32T	
P.E.		UNSPECIFIED TOLERANCES ARE:	
M.E.	FIRST USED	WHOLE DIM (X)	: 7
DSNR		ONE-PLACE (X.X)	: 7
		TWO-PLACE (X.XX)	:
		ANGLE	:
		THIRD ANGLE PROJECTION	
DO NOT SCALE DRAWING			
TITLE: DRAINAGE SYSTEM INSTL			
SHEET 1 OF 3	PART NO	151469	
REF: 146279 1 3/3/2005			



FIRST USED	05 P32T
TITLE	DO NOT SCALE DRAWING
SHEET 2	DRAINAGE SYSTEM INSTL
PART NO	151469



BRACKET  
94756-02-CHT (2)  
SCREW  
G39-10-10T (16)  
PLATFORM ASM  
126714-35-000

PLATFORM ASM  
126714-36-000

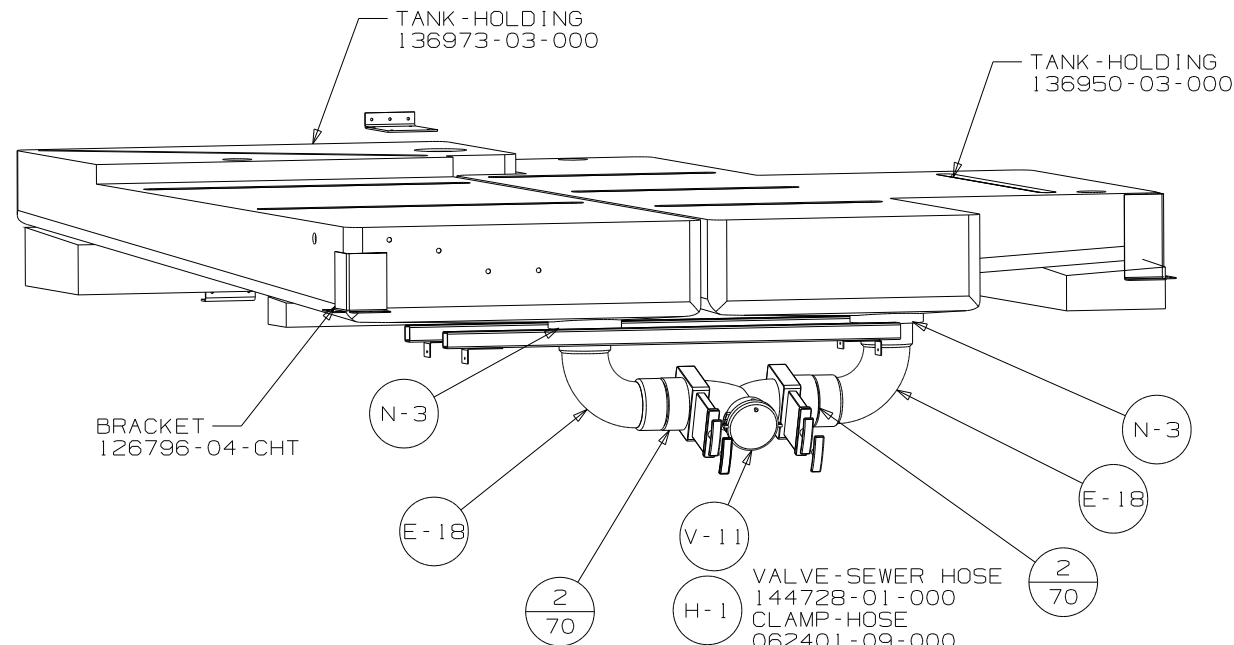
BRACKET-HOLDING TANK  
126796-05-CHT

PLATFORM ASM  
126714-34-000

SUPPORT ASM  
133839-02-CHT (2)  
SCREW  
G39-10-20T (2)  
G39-10-12T (2)  
ANGLE  
132871-03-CHT (2)

3115  
186  
3852

VIEW E

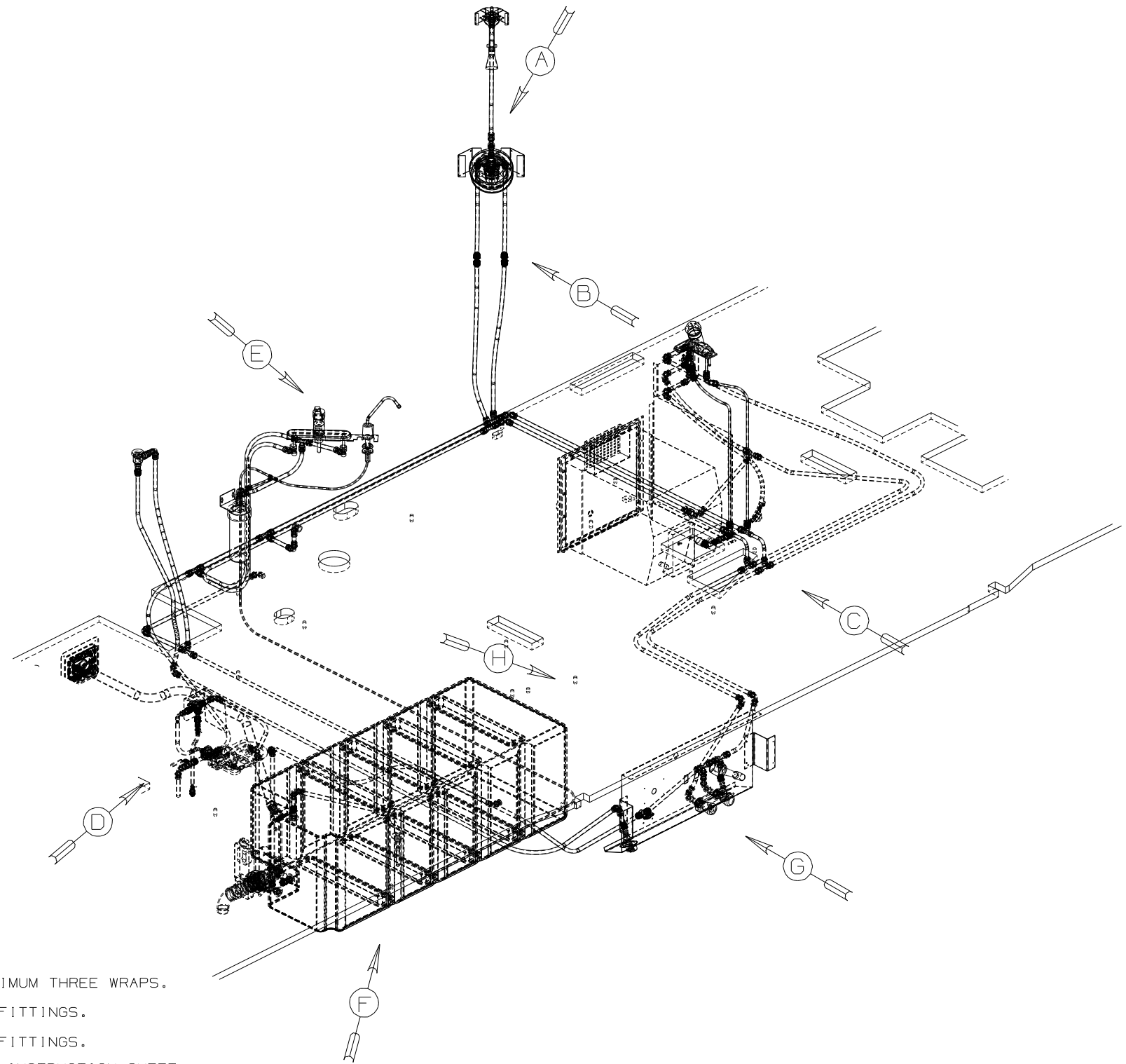


VIEW D

FIRST USED	05 P32T
DO NOT SCALE DRAWING	
TITLE	DRAINAGE SYSTEM INSTL
SHEET 3	PART NO 151469

DWG NO	----
151481-01	(WIN)
151481-02	(ITA)

RELEASE	REV DATE	DWG NO
A		151481
REV ZONE	REVISION RECORD	DATE



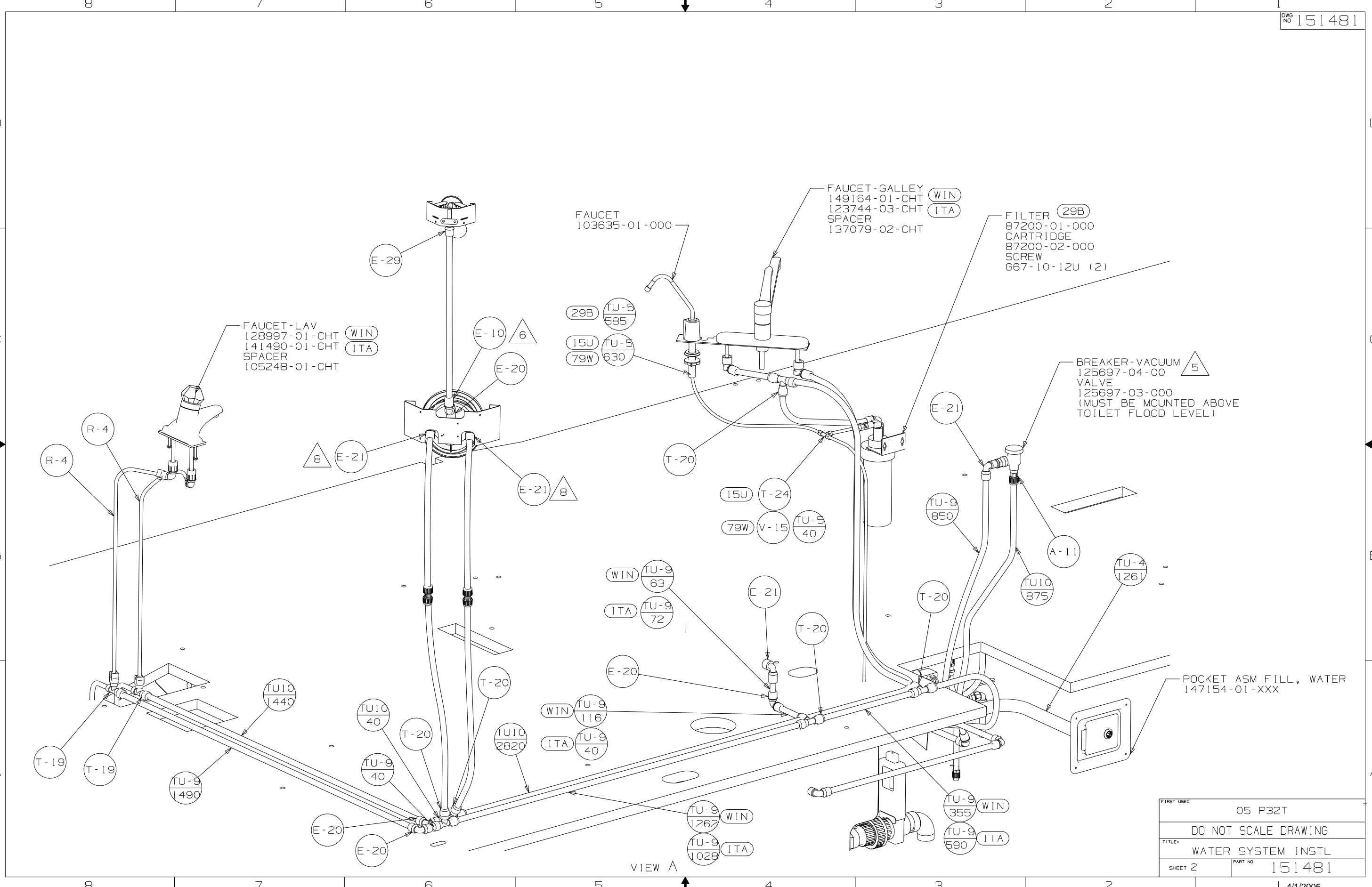
- (WIN) WINNEBAGO ONLY
- (ITA) ITASCA ONLY
- (43A) SHOWER HEAD-FIXED
- (43H) SHOWER HEAD-HAND HELD
- (15U) REFRIGERATOR/FRZR W/ICEMAKER
- (64R) EXTERIOR WASH STATION
- (9B1) SHOWER PACKAGE
- (29B) WATER PURIFIER
- (79W) REFRIGERATOR-4 DOOR
- (53E) WINTERIZATION PACKAGE
- (1B2) WATER HEATER-10 GAL W/120VAC/LPGAS/MTR A1D

- 8. WRAP WITH TEFLON TAPE 10405-01-000 MINIMUM THREE WRAPS.
- 7. WRAP WITH TEFLON TAPE 10405-03-000 TO FITTINGS.
- 6. WRAP WITH TEFLON TAPE 10405-02-000 TO FITTINGS.
- 5. FLUSHING SYSTEM REQUIRES 125697-06-000 INSTRUCTION SHEET.
- 4. CLAMPS MUST BE ON BARBS.

- 3. ALL TUBING TO BE SECURED AT 1200 INTERVALS MAXIMUM WITH CLAMP 10495-01-000 OR CLIP 9151-01-000 AND SCREW G67-10-12B.
- 2. TUBING TO BE INSTALLED WITH SUFFICIENT SLOPE TO PROVIDE DRAINAGE TO NEAREST VALVE.
- 1. PLASTIC FITTINGS TO BE SEALED WITH SEALANT 84456-01-000.

NOTES:

<b>WINNEBAGO</b>		COPYRIGHT 2005 WINNEBAGO INDUSTRIES, INC.	
DFTR	ORIG. DATE		
CHKR	ALL DIMENSIONS ARE IN MILLIMETERS		
P.E.			
M.E.	FIRST USED		
DSNR	05 P32T		
UNSPECIFIED TOLERANCES ARE:		MATERIAL:	
WHOLE DIM (X)	:	7	
ONE-PLACE (X.X)	:		
TWO-PLACE (X.XX)	:		
ANGLE	:		
THIRD ANGLE PROJECTION			
DO NOT SCALE DRAWING			
TITLE: WATER SYSTEM INSTL			
SHEET 1 OF 6	PART NO	151481	



FAUCET-LAV  
128997-01-CHT (WIN)  
141490-01-CHT (ITA)  
SPACER  
105248-01-CHT

FAUCET-GALLEY  
149164-01-CHT (WIN)  
123744-03-CHT (ITA)  
SPACER  
137079-02-CHT

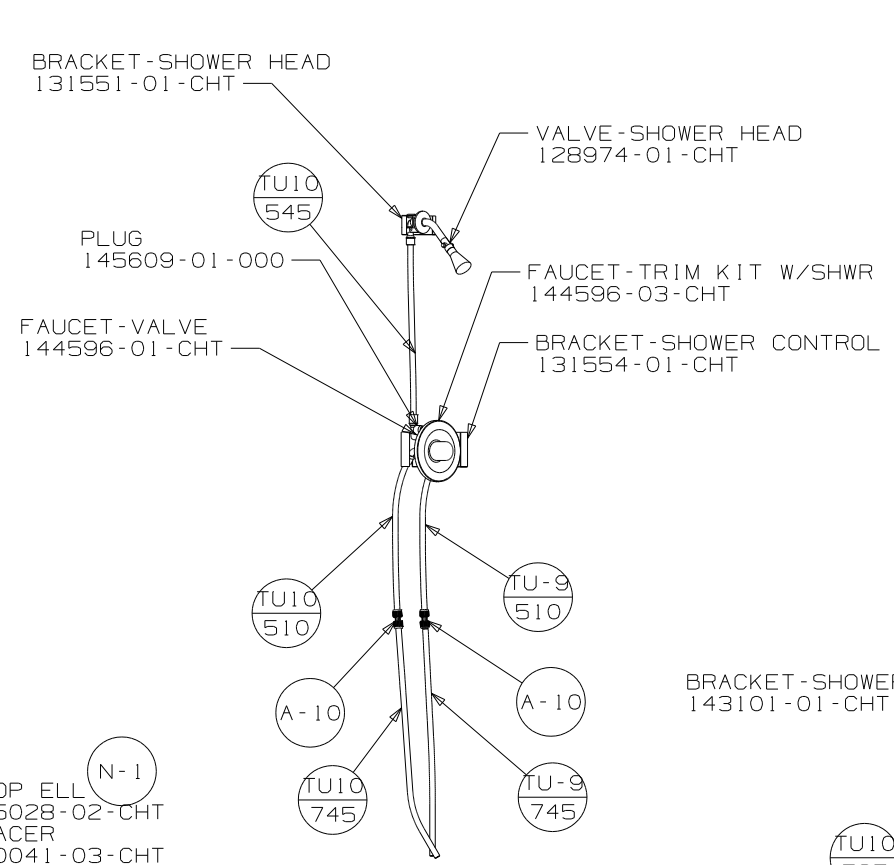
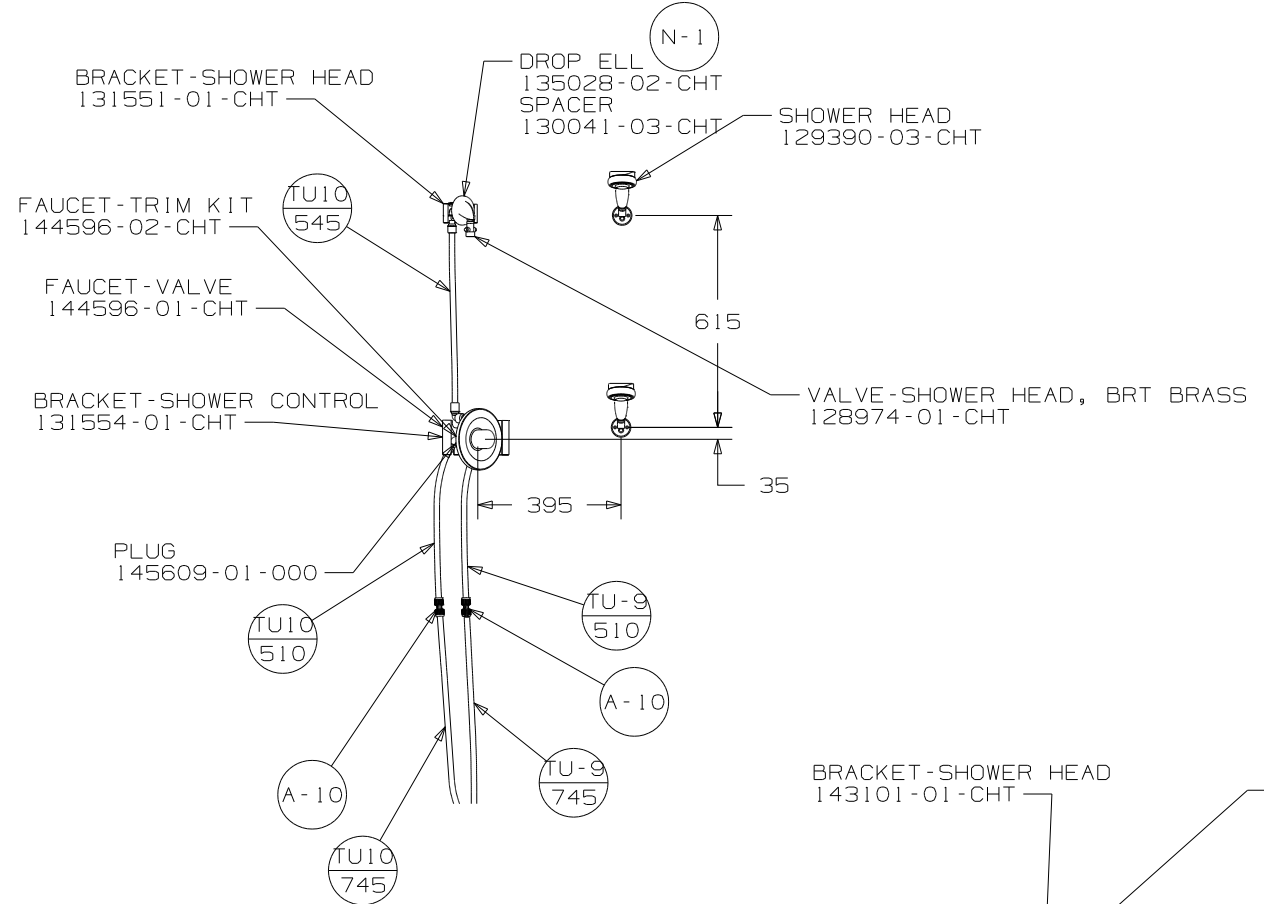
FILTER (29B)  
87200-01-000  
CARTRIDGE  
87200-02-000  
SCREW  
G67-10-12U (2)

BREAKER-VACUUM (5)  
125697-04-00  
VALVE  
125697-03-000  
(MUST BE MOUNTED ABOVE  
TOILET FLOOD LEVEL)

POCKET ASM FILL, WATER  
147154-01-XXX

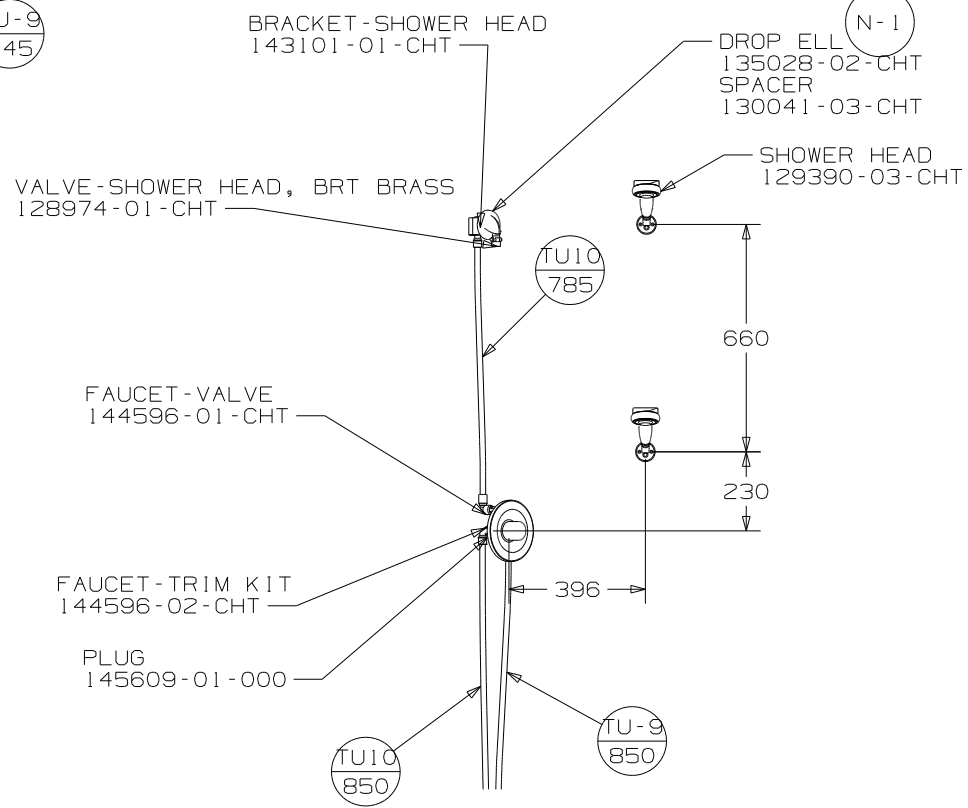
VIEW A

FIRST USED	05 P32T
DO NOT SCALE DRAWING	
TITLE:	WATER SYSTEM INSTL
SHEET 2	PART NO 151481

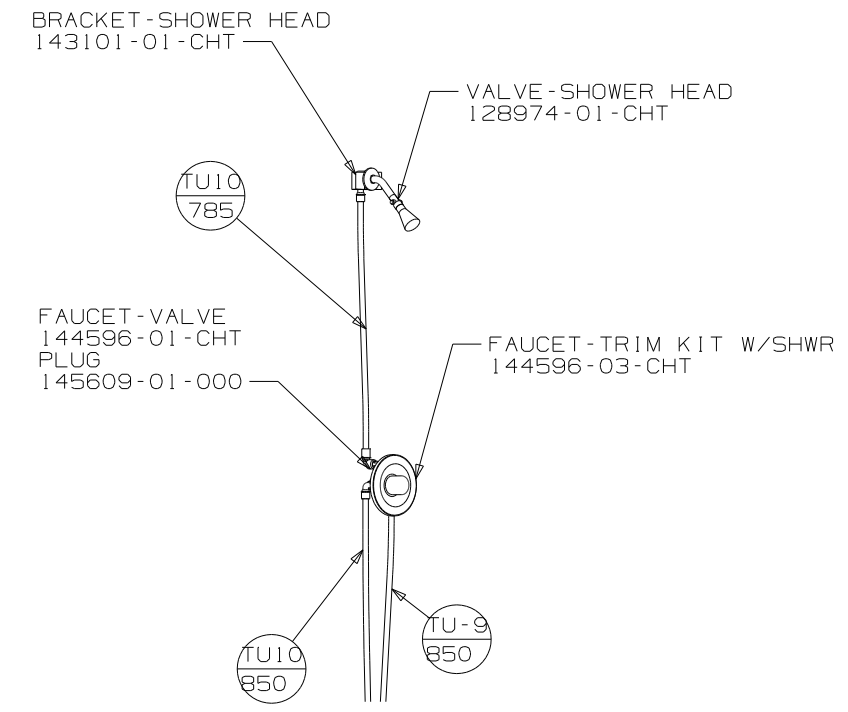


VIEW B  
WIN 43H

VIEW B  
WIN 43A

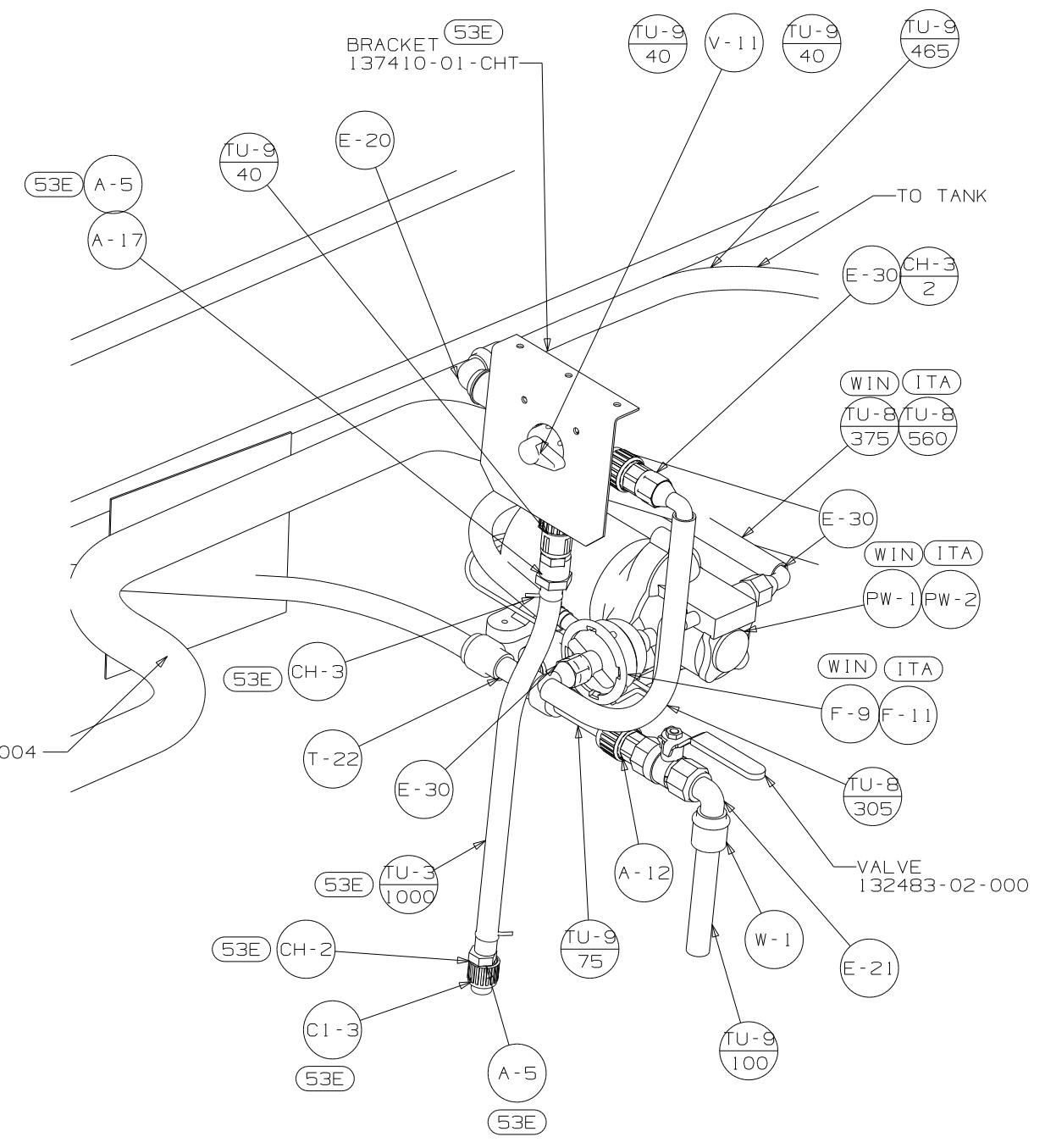
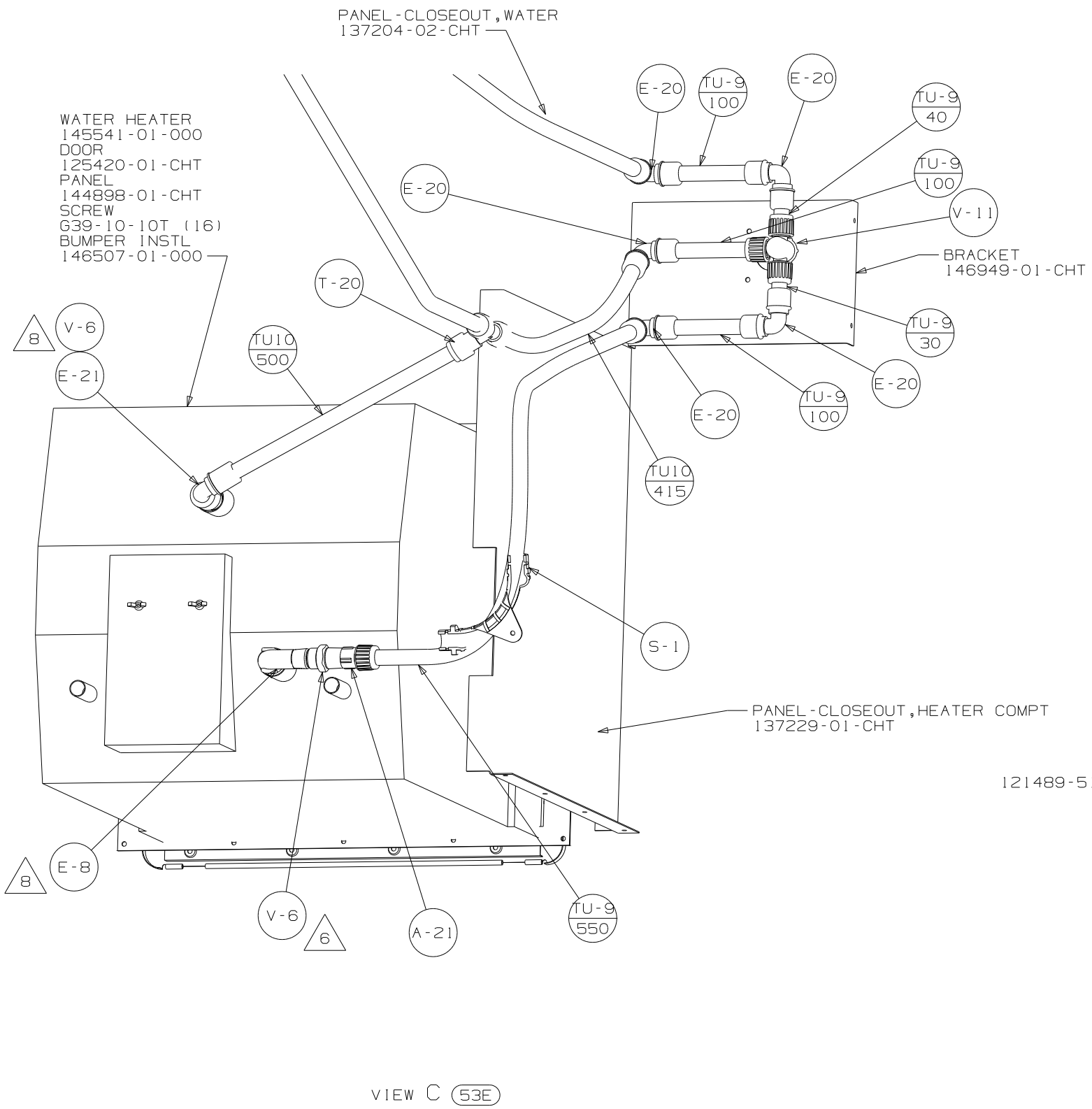


VIEW B  
ITA 43H

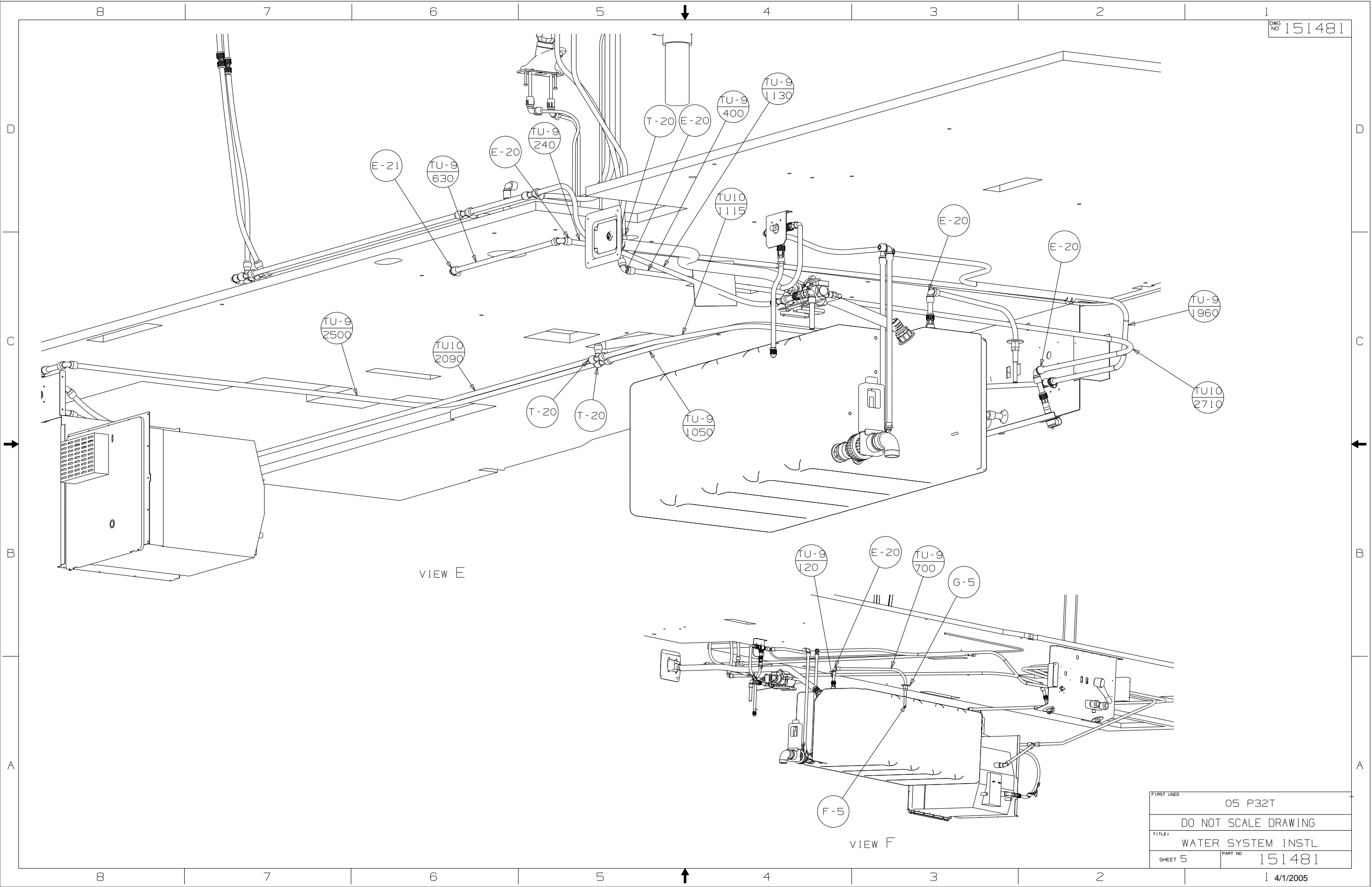


VIEW B  
ITA 43A

FIRST USED	05 P32T
TITLE	DO NOT SCALE DRAWING
SHEET 3	PART NO 151481



FIRST USED	05 P32T
DO NOT SCALE DRAWING	
TITLE	WATER SYSTEM INSTL
SHEET 4	PART NO 151481



VIEW E

VIEW F

FIRST USED	05 P32T
DO NOT SCALE DRAWING	
TITLE:	WATER SYSTEM INSTL
SHEET 5	PART NO 151481



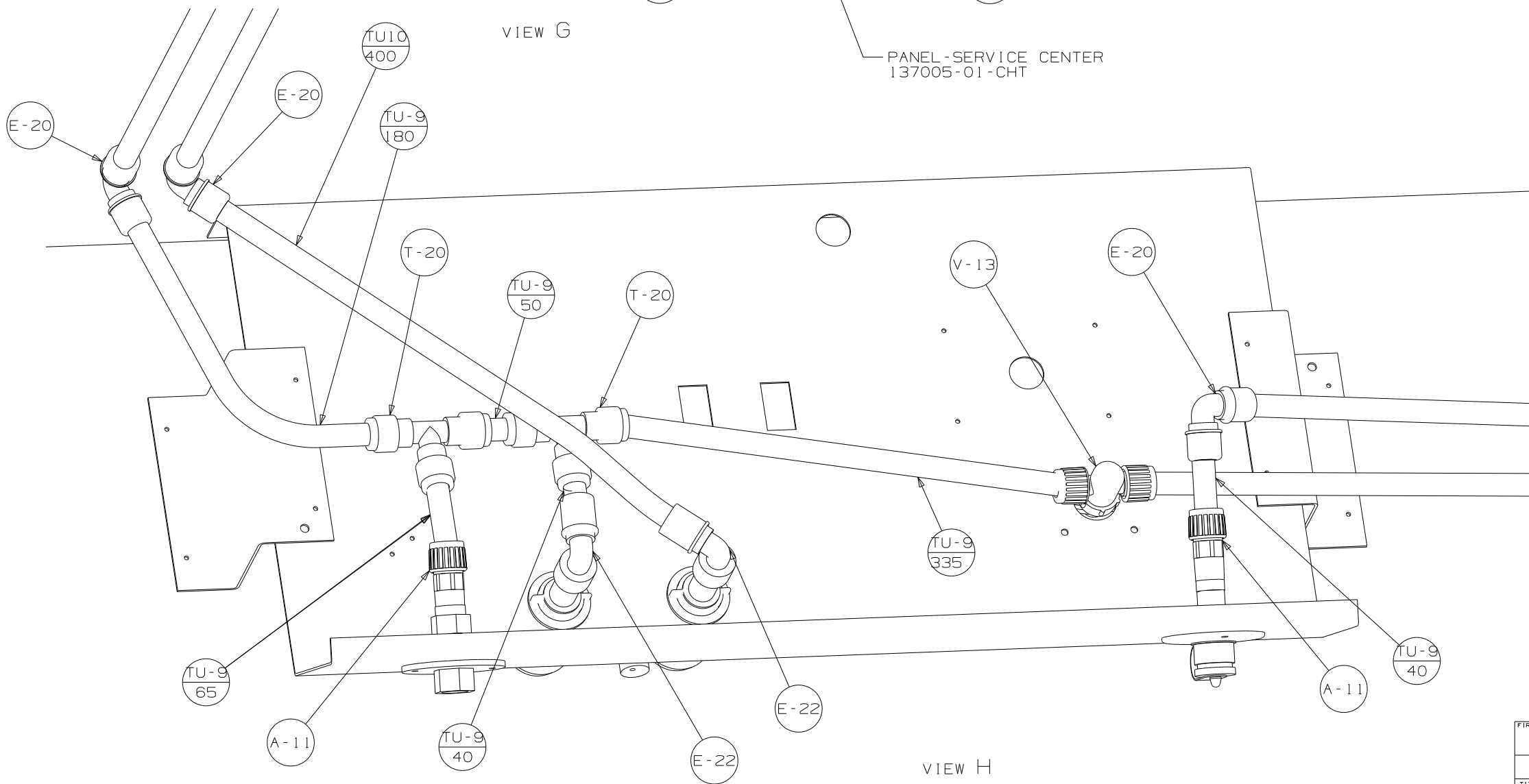
INLET-FLUSHING SYSTEM  
125697-05-000

BRACKET-WATER CENTER  
137389-01-CHT (2)

PANEL-SERVICE CENTER  
137005-01-CHT

VIEW G

VIEW H



FIRST USED	05 P32T
DO NOT SCALE DRAWING	
TITLE	WATER SYSTEM INSTL
SHEET 6	PART NO 151481