



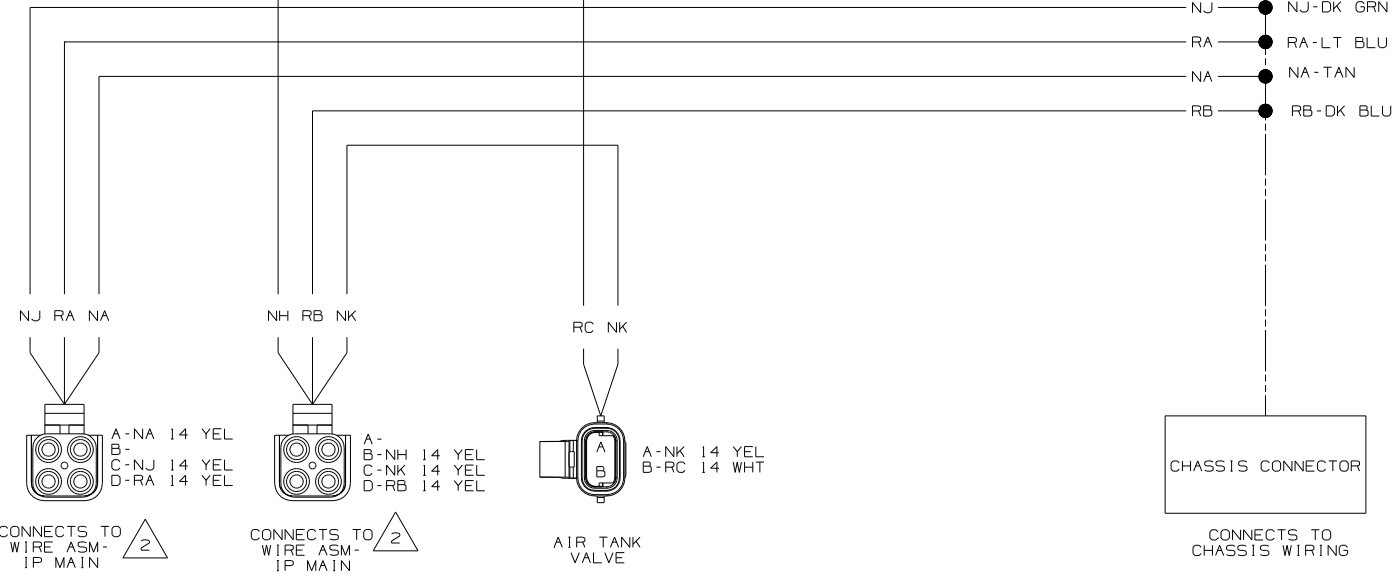
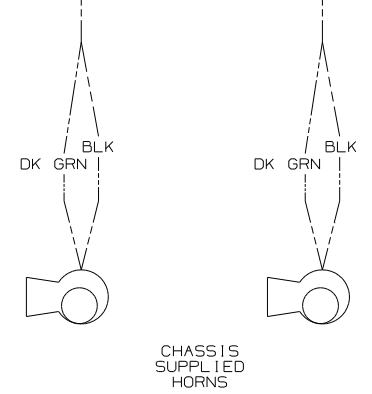
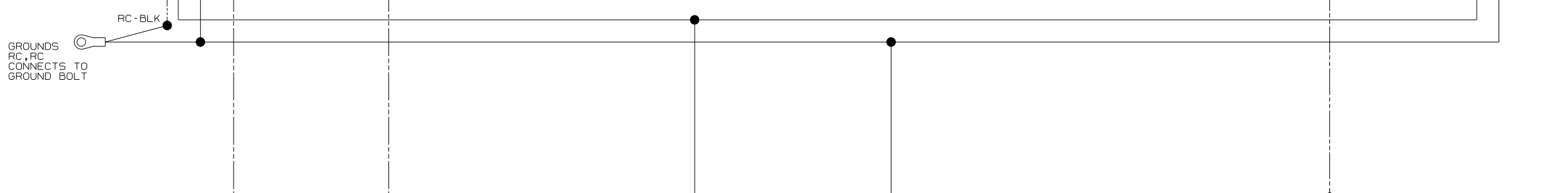
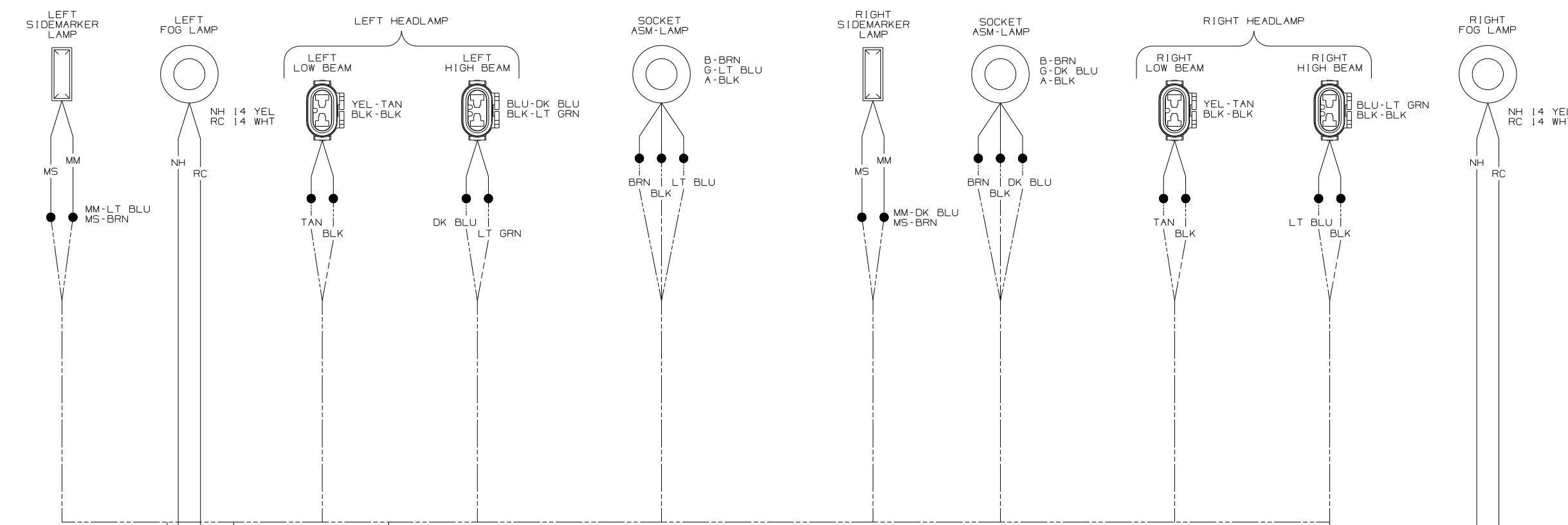
DANGER

Danger of electrical shock, burns or death. Always remove all power sources before attempting any repair, service or diagnostic work. Power can be present from shore power, generator, inverter or battery. All power sources must be disabled and secured before performing any service.



CAUTION

If you lack the skills, tools or equipment to perform diagnostic or repair work leave such work to an authorized Winnebago Industries dealer or other qualified shop.



WIRING DIAGRAM-HEADLAMP
(WIRE ASM 149241-01 REV-F)

WORKHORSE

COPYRIGHT 2004 WINNEBAGO INDUSTRIES, INC.

DFTR	ORIG. DATE
CHKR	ALL DIMENSIONS ARE IN MILLIMETERS
P.E.	
M.E.	FIRST USED
DSNR	05 P-SERIES

UNSPECIFIED TOLERANCES ARE:

WHOLE DIM (X)	:	*
ONE-PLACE (X.X)	:	*
TWO-PLACE (X.XX)	:	*
ANGLE	:	*

THIRD ANGLE PROJECTION

DO NOT SCALE DRAWING

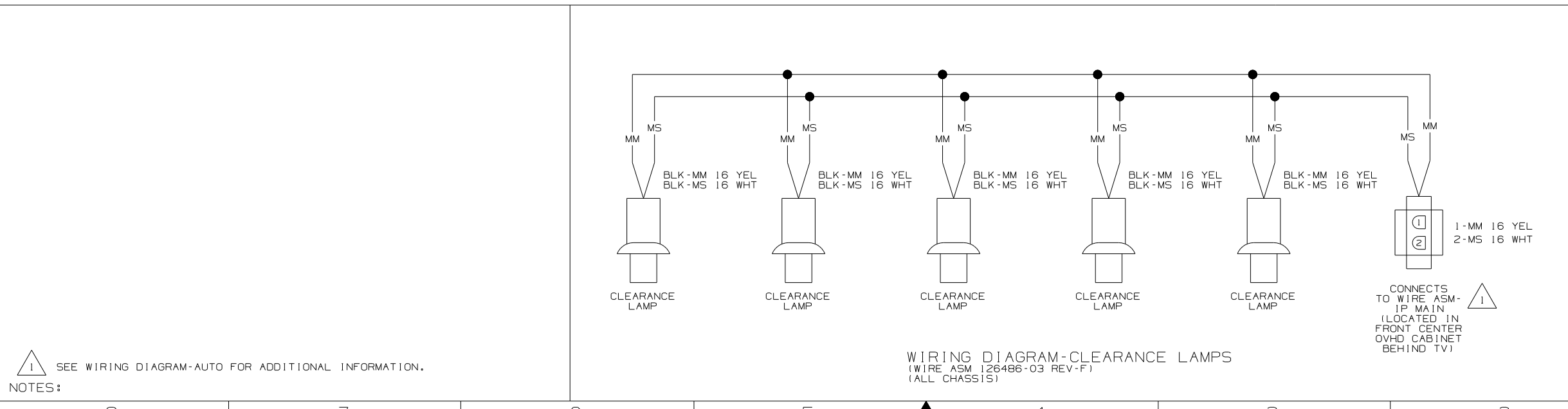
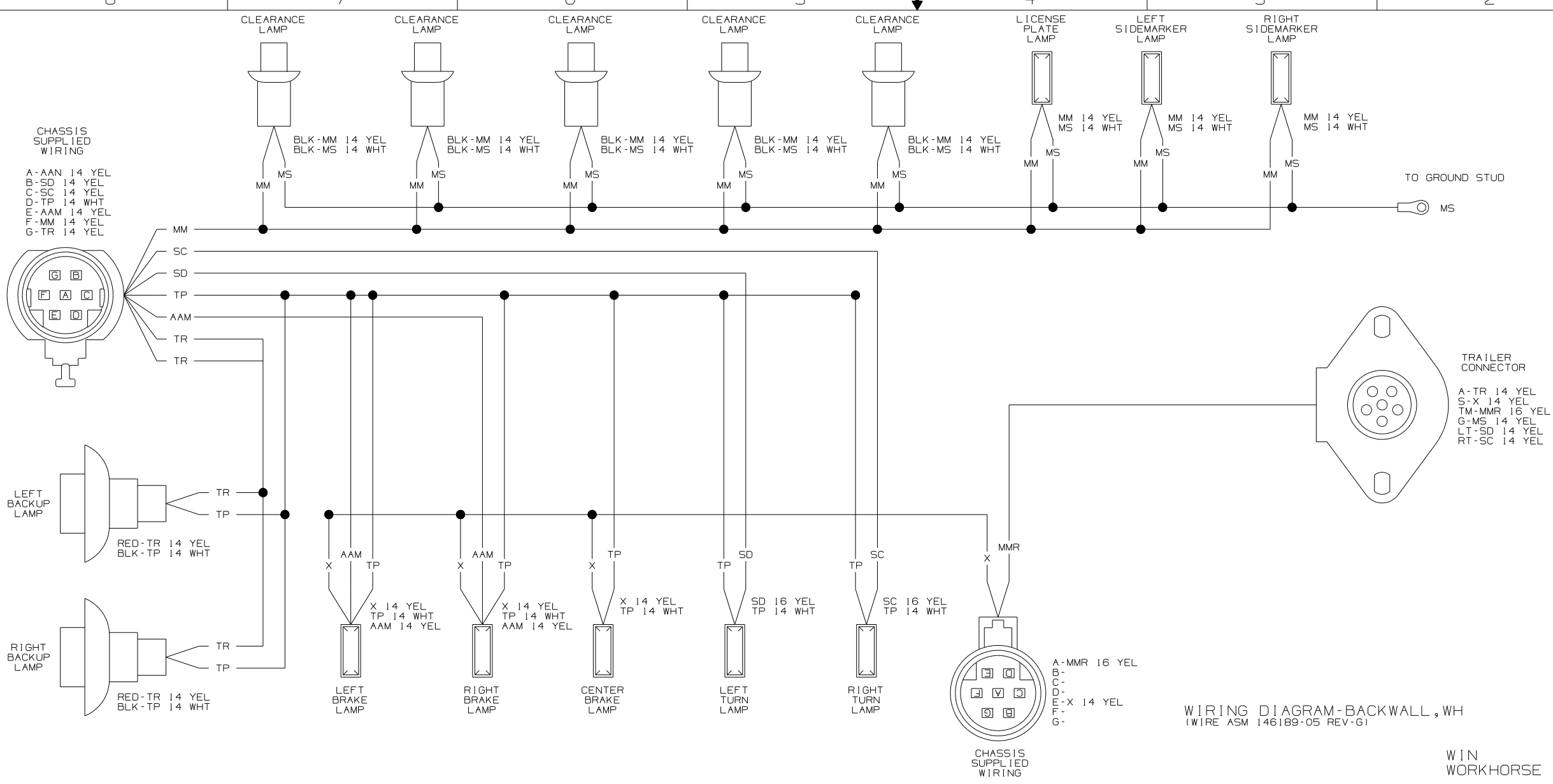
TITLE: WIRING DIAGRAM-AUTO LAMPS

SHEET 1 of 6 PART NO 148569

NOTES:

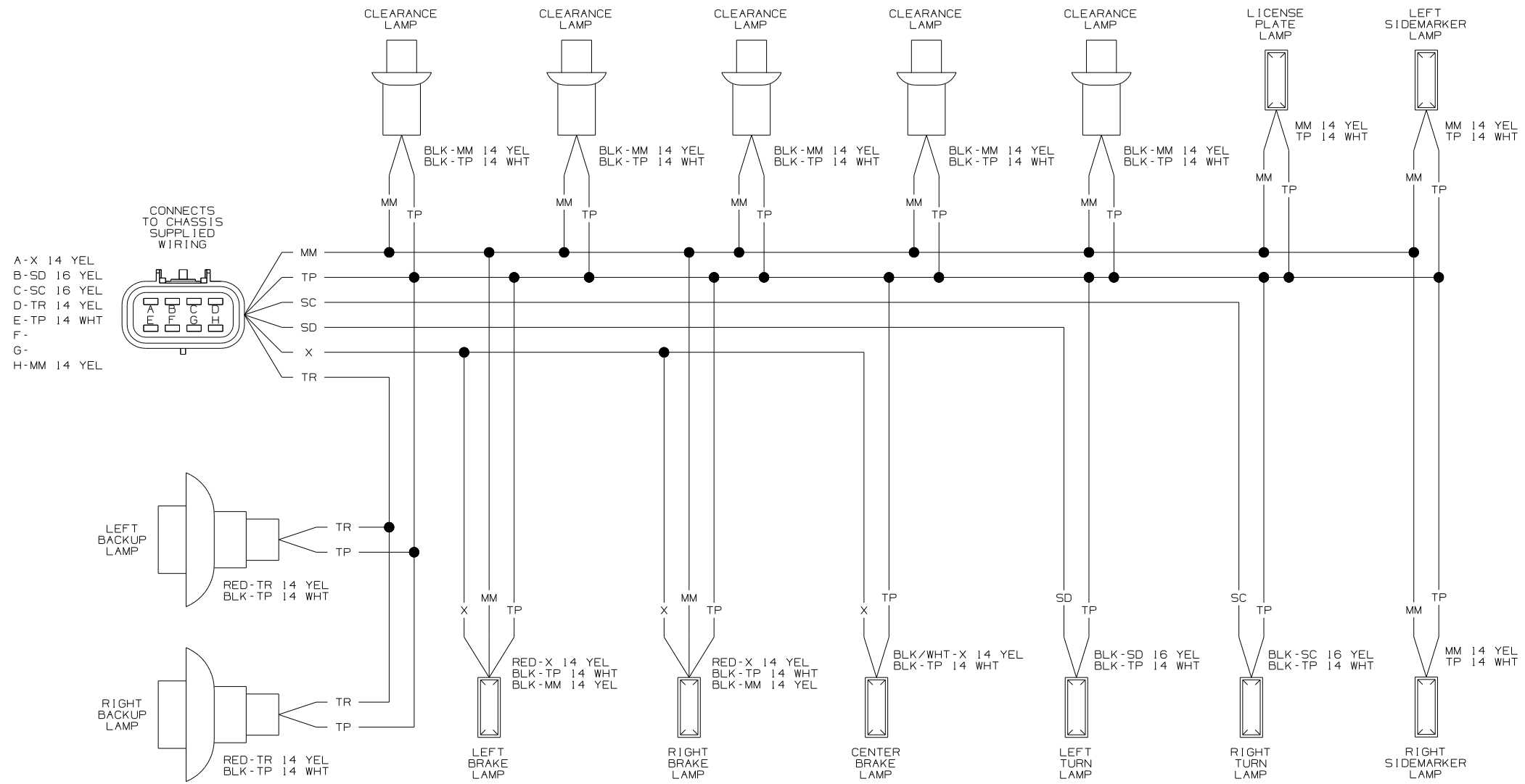
2 SEE WIRING DIAGRAM-AUTO FOR ADDITIONAL INFORMATION.

1 WINNEBAGO WIRING ————
CHASSIS SUPPLIED WIRING - - - - -



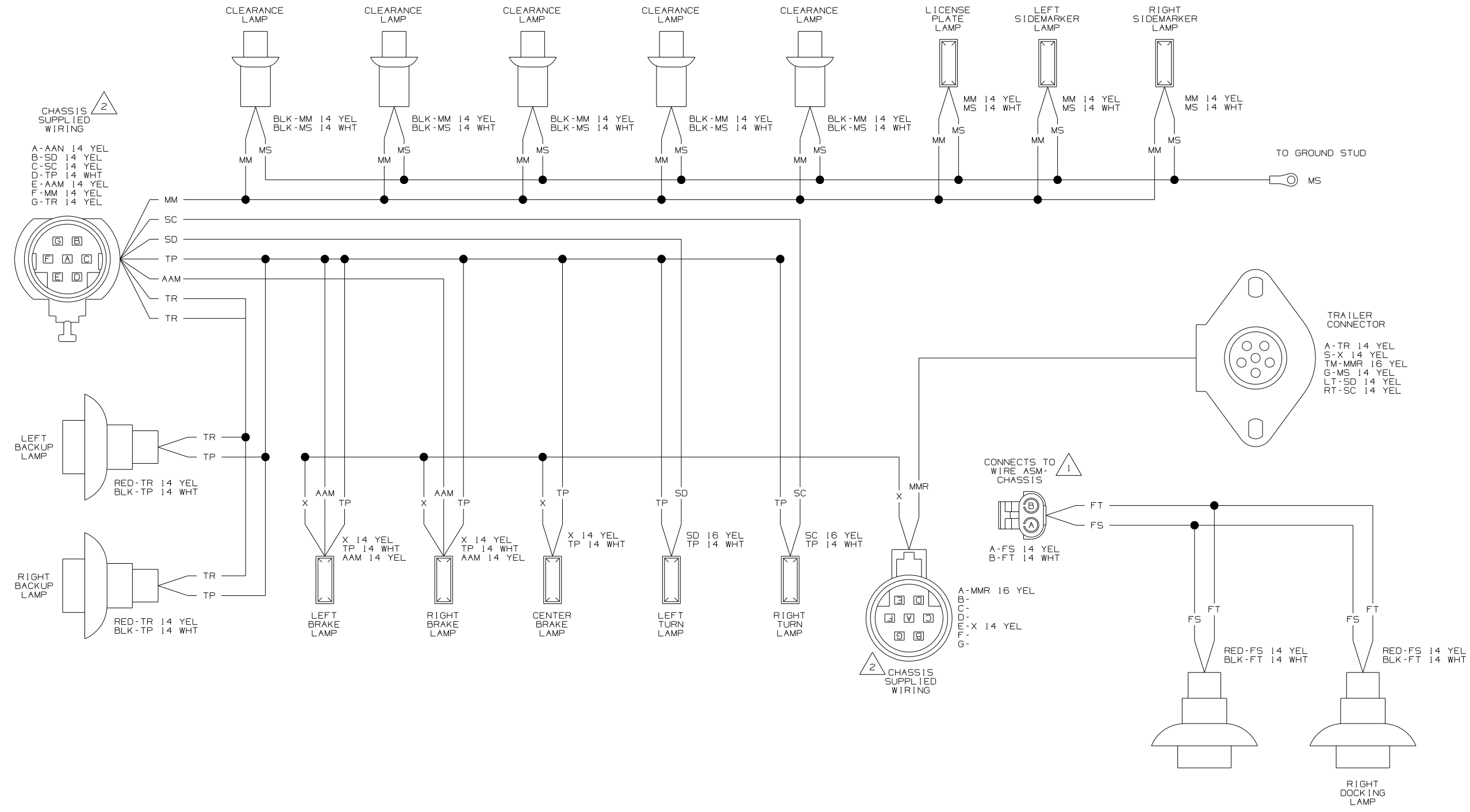
NOTES: SEE WIRING DIAGRAM-AUTO FOR ADDITIONAL INFORMATION.

FIRST USED	05 P-SERIES
TITLE	DO NOT SCALE DRAWING
TITLE	WIRING DIAGRAM-AUTO LAMPS
SHEET 3	PART NO 148569



WIRING DIAGRAM-BACKWALL,FL
(WIRE ASM 146189-03 REV-6)

WIN FREIGHTLINER	
FIRST USED	05 P-SERIES
DO NOT SCALE DRAWING	
TITLE: WIRING DIAGRAM-AUTO LAMPS	
SHEET 4	PART NO 148569



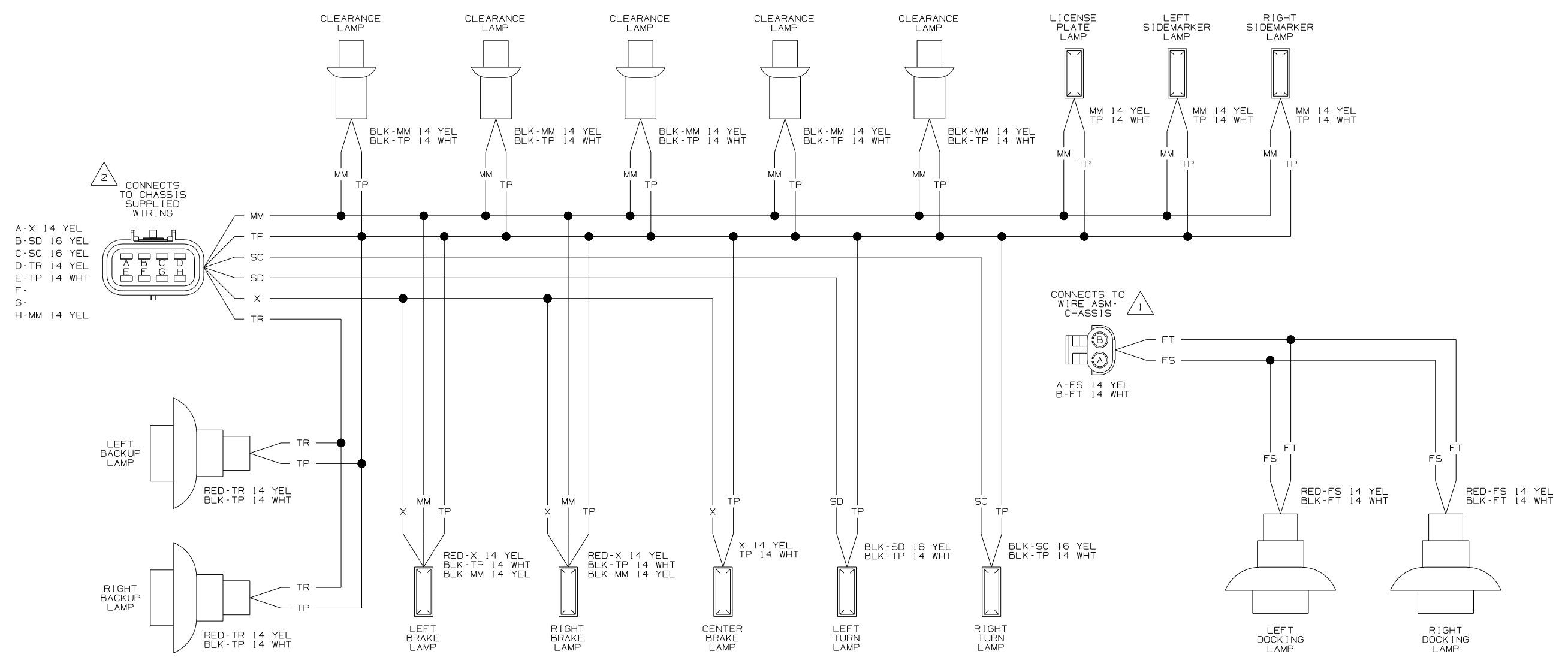
WIRING DIAGRAM-BACKWALL, WH (WIRE ASM 146189-06 REV-G)

ITA WORKHORSE	
FIRST USED	05 P-SERIES
DO NOT SCALE DRAWING	
TITLE	WIRING DIAGRAM-AUTO LAMPS
SHEET 5	PART NO 148569

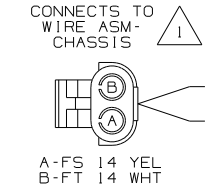
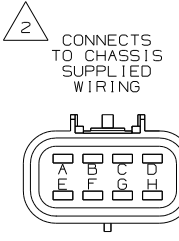
NOTES:

2 SEE CHASSIS WIRING DIAGRAM FOR ADDITIONAL INFORMATION.

1 SEE WIRING DIAGRAM-AUTO FOR ADDITIONAL INFORMATION.



A-X 14 YEL
 B-SD 16 YEL
 C-SC 16 YEL
 D-TR 14 YEL
 E-TP 14 WHT
 F-
 G-
 H-MM 14 YEL



WIRING DIAGRAM-BACKWALL, FL
(WIRE ASM 146189-04 REV-C)

ITA
FREIGHTLINER

FIRST USED	05 P-SERIES
TITLE	DO NOT SCALE DRAWING
	WIRING DIAGRAM-AUTO LAMPS
SHEET 6	PART NO 148569

NOTES:
 2 SEE CHASSIS DIAGRAMS FOR ADDITIONAL INFORMATION.
 1 SEE WIRING DIAGRAM-BODY, 12V FOR ADDITIONAL INFORMATION.