



DANGER

Danger of electrical shock, burns or death. Always remove all power sources before attempting any repair, service or diagnostic work. Power can be present from shore power, generator, inverter or battery. All power sources must be disabled and secured before performing any service.

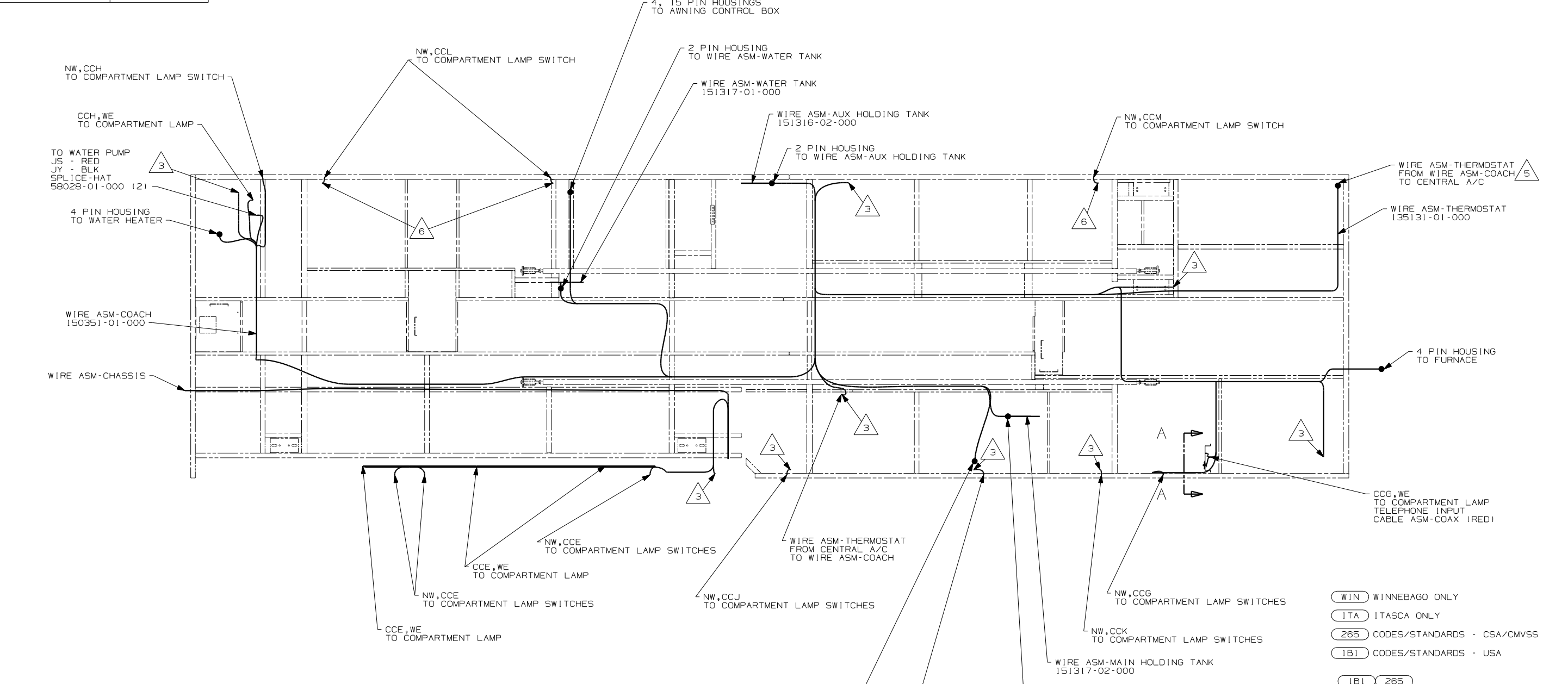


CAUTION

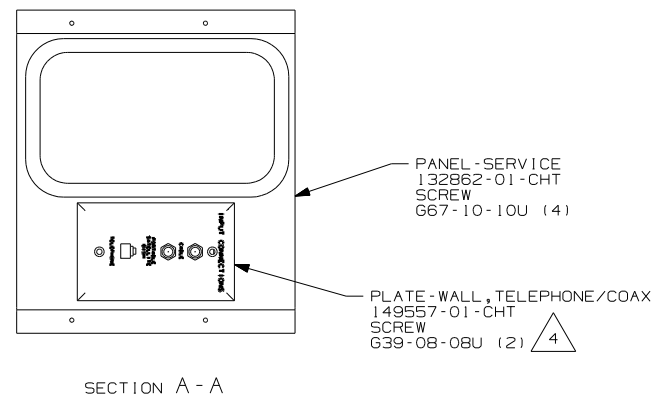
If you lack the skills, tools or equipment to perform diagnostic or repair work leave such work to an authorized Winnebago Industries dealer or other qualified shop.

DRAWING NO.	FEATURE
150020-01	(WIN)
150020-02	(ITA)

RELEASE	REV/DATE	DWG NO
A		150020
REV ZONE	REVISION RECORD	DATE DFR-ORIG



- NOTES:
- ALL WIRES TO BE CLAMPED WITH CLAMP 10495-01-000 OR WIRE TIE 8343-02-000 EVERY 600MM, UNLESS OTHERWISE SPECIFIED.
 - SEE WIRING DIAGRAM-BODY, 12V FOR ADDITIONAL INFORMATION.
- 6 WIRE IN FLOOR.
 - 5 FOR ADDITIONAL INFORMATION SEE CENTRAL A/C INSTALLATION.
 - 4 CONNECT TELEPHONE WIRE TO MATCHING COLORS ON PLATE-WALL, TELEPHONE.
 - 3 WIRE PASSES THROUGH FLOOR AT THIS POINT.



(WIN)	WINNEBAGO ONLY
(ITA)	ITASCA ONLY
(265)	CODES/STANDARDS - CSA/CMVSS
(1B1)	CODES/STANDARDS - USA
(1B1) (265)	

WINNEBAGO COPYRIGHT 2004 WINNEBAGO INDUSTRIES, INC.

DFTR	ORIG. DATE
CHKR	ALL DIMENSIONS ARE IN MILLIMETERS
P.E.	
M.E.	FIRST USED
DSNR	05 G38R

UNSPECIFIED TOLERANCES ARE: MATERIAL:

HOLE DIM (X)	:
ONE-PLACE (X.X)	:
TWO-PLACE (X.XX)	:
ANGLE	:

THIRD ANGLE PROJECTION

DO NOT SCALE DRAWING

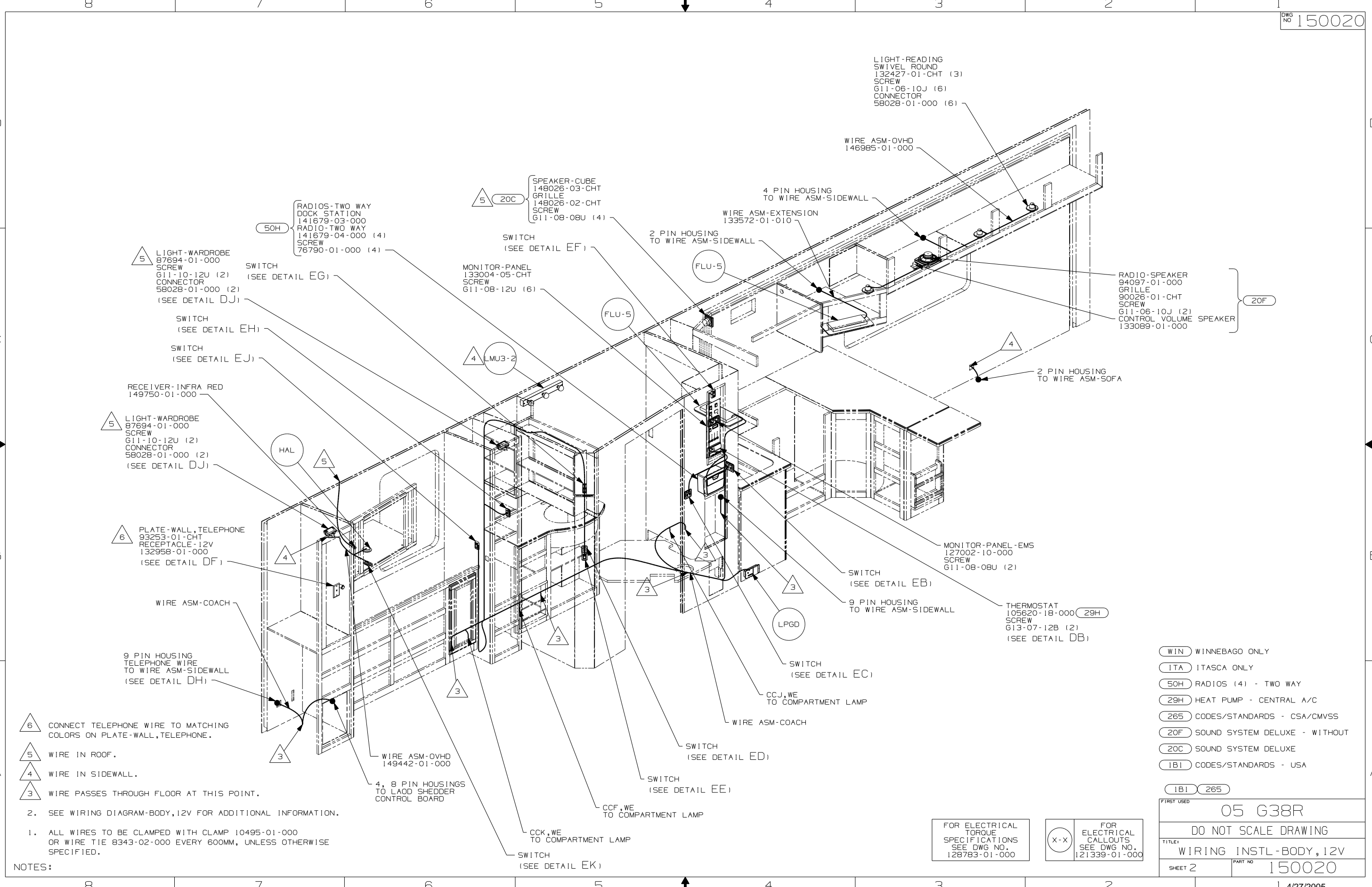
TITLE: WIRING INSTL-BODY, 12V

SHEET 1 OF 7 PART NO 150020

REF: 146270 1 4/27/2005

FOR ELECTRICAL TORQUE SPECIFICATIONS SEE DWG NO. 128783-01-000

(X-X) FOR ELECTRICAL CALLOUTS SEE DWG NO. 121339-01-000



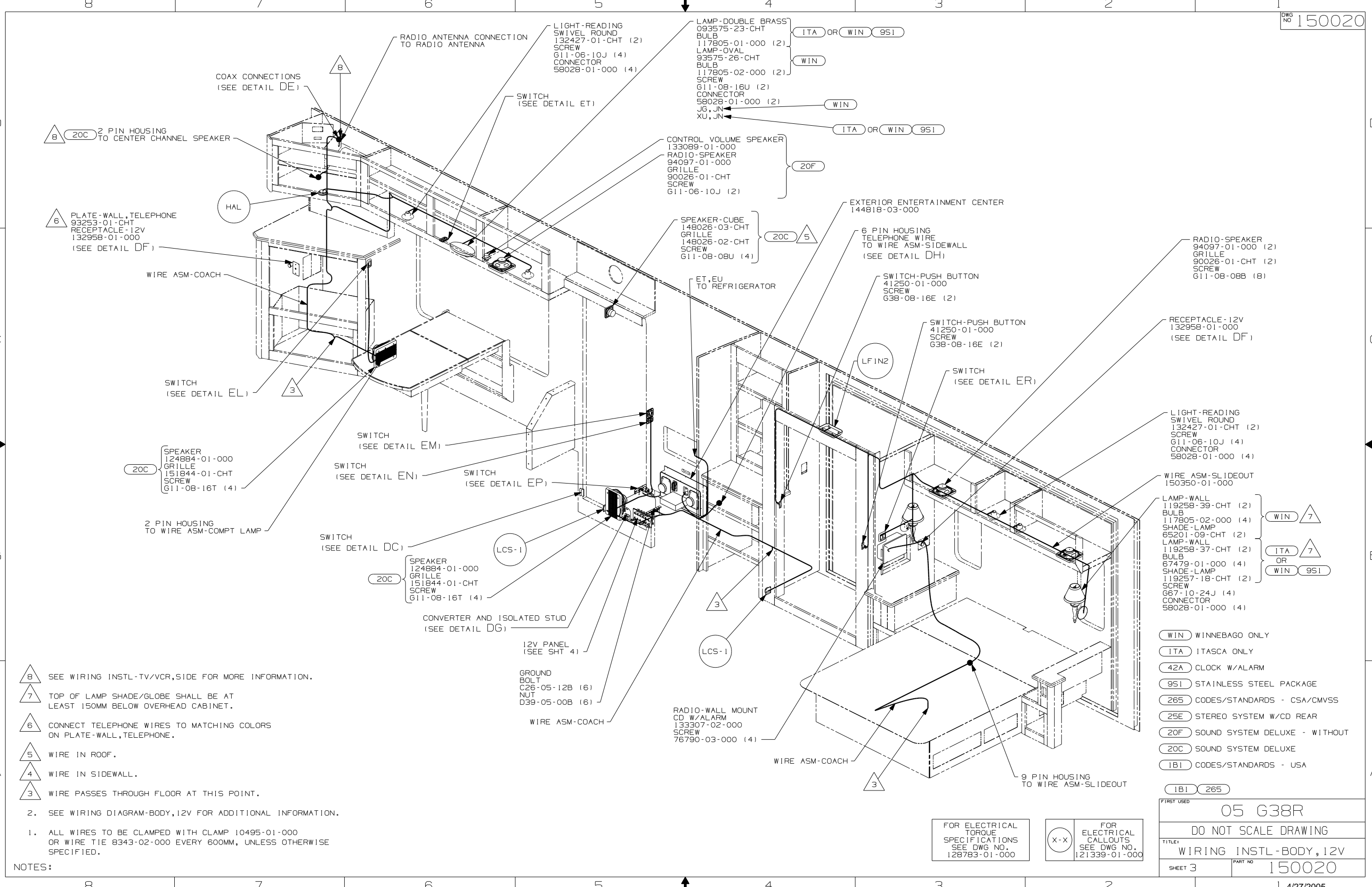
- NOTES:
1. ALL WIRES TO BE CLAMPED WITH CLAMP 10495-01-000 OR WIRE TIE 8343-02-000 EVERY 600MM, UNLESS OTHERWISE SPECIFIED.
 2. SEE WIRING DIAGRAM-BODY,12V FOR ADDITIONAL INFORMATION.

- (WIN) WINNEBAGO ONLY
- (ITA) ITASCA ONLY
- (50H) RADIOS (4) - TWO WAY
- (29H) HEAT PUMP - CENTRAL A/C
- (265) CODES/STANDARDS - CSA/CMVSS
- (20F) SOUND SYSTEM DELUXE - WITHOUT
- (20C) SOUND SYSTEM DELUXE
- (1B1) CODES/STANDARDS - USA

FOR ELECTRICAL TORQUE SPECIFICATIONS SEE DWG NO. 128783-01-000

(X-X) FOR ELECTRICAL CALLOUTS SEE DWG NO. 121339-01-000

FIRST USED	
05 G38R	
DO NOT SCALE DRAWING	
TITLE: WIRING INSTL-BODY,12V	
SHEET 2	PART NO 150020



- 8 SEE WIRING INSTL-TV/VCR,SIDE FOR MORE INFORMATION.
 - 7 TOP OF LAMP SHADE/GLOBE SHALL BE AT LEAST 150MM BELOW OVERHEAD CABINET.
 - 6 CONNECT TELEPHONE WIRES TO MATCHING COLORS ON PLATE-WALL, TELEPHONE.
 - 5 WIRE IN ROOF.
 - 4 WIRE IN SIDEWALL.
 - 3 WIRE PASSES THROUGH FLOOR AT THIS POINT.
2. SEE WIRING DIAGRAM-BODY,12V FOR ADDITIONAL INFORMATION.
1. ALL WIRES TO BE CLAMPED WITH CLAMP 10495-01-000 OR WIRE TIE 8343-02-000 EVERY 600MM, UNLESS OTHERWISE SPECIFIED.

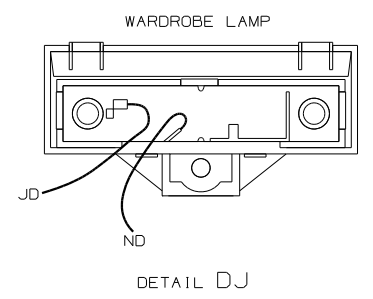
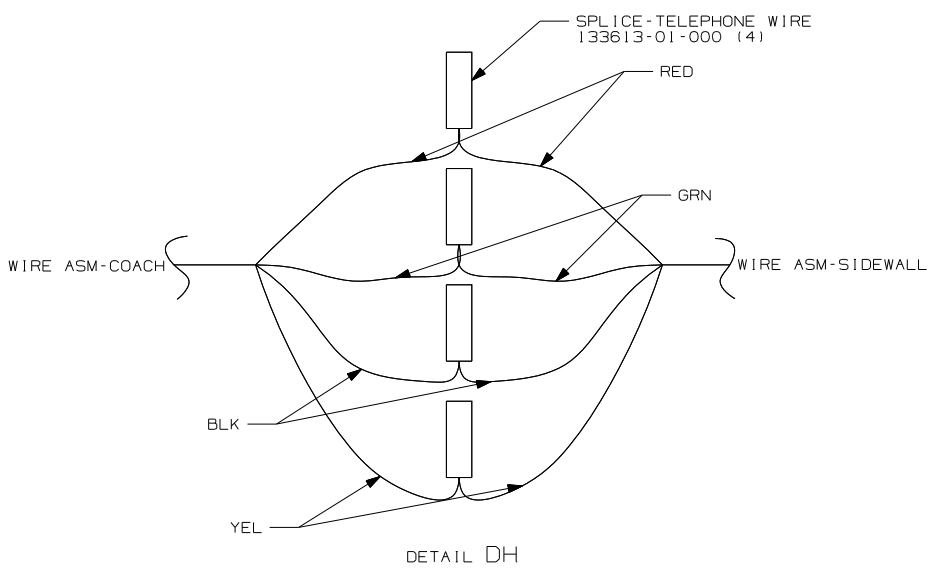
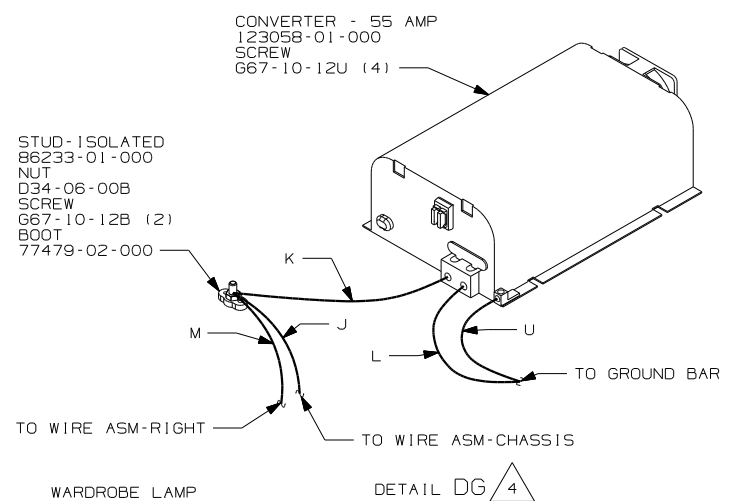
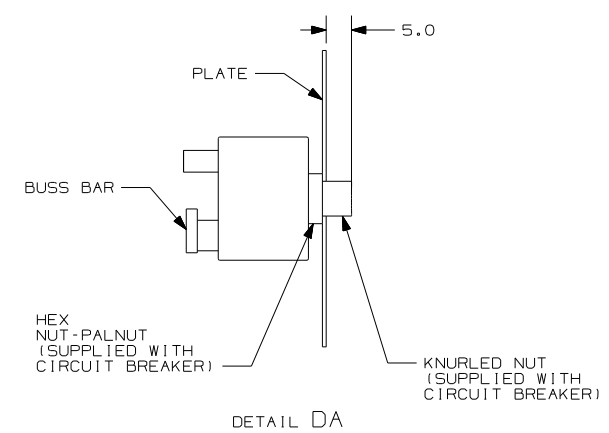
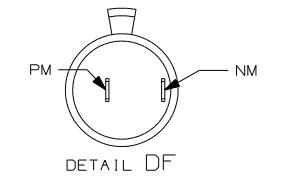
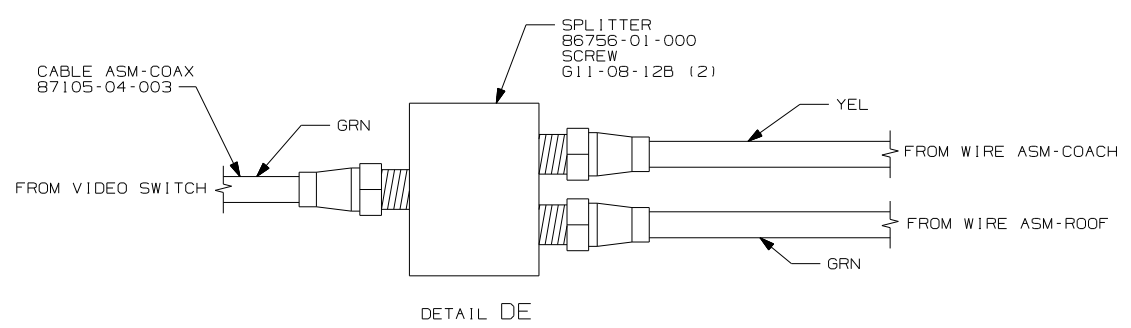
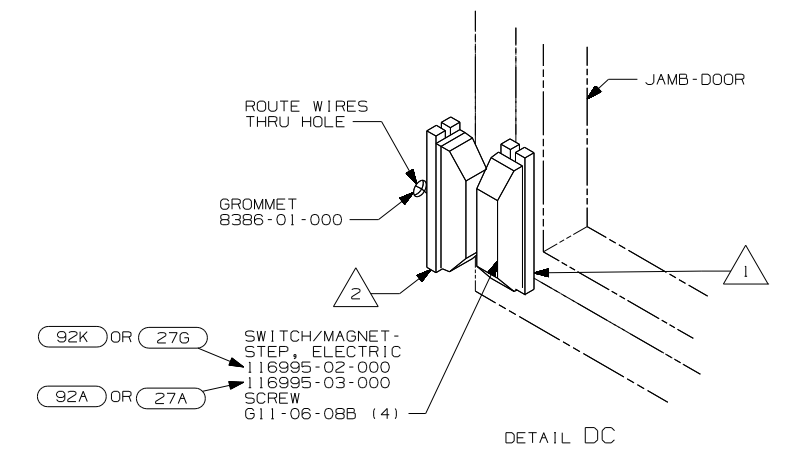
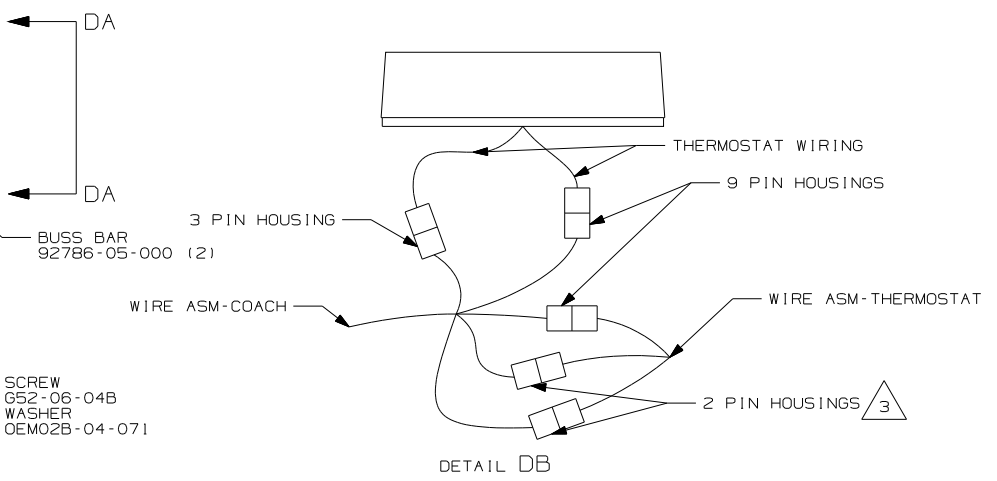
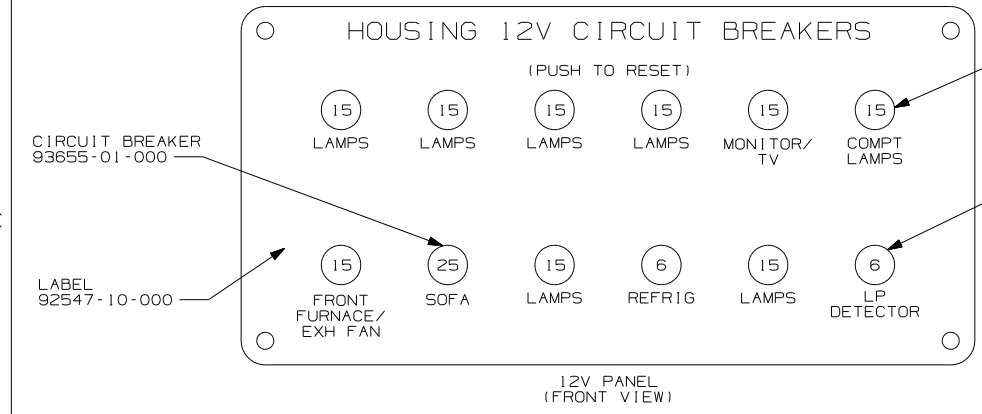
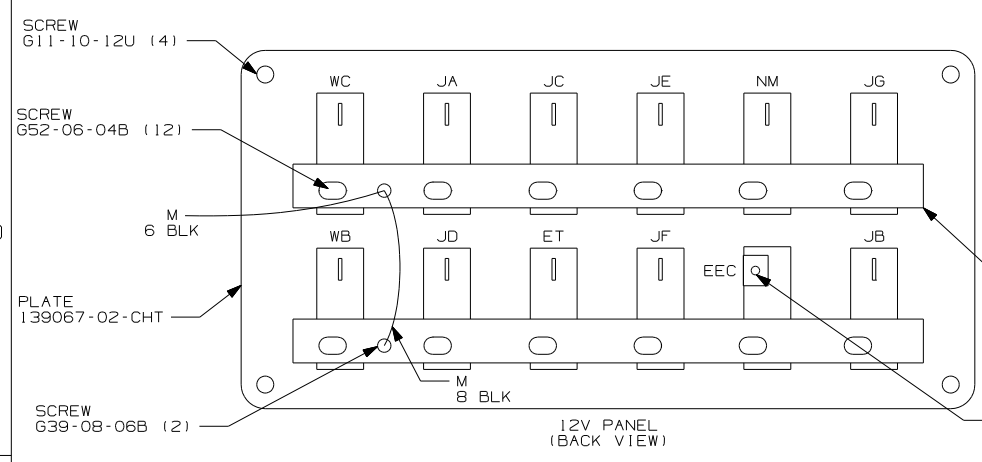
NOTES:

- LAMP-DOUBLE BRASS 093575-23-CHT BULB 117805-01-000 (2)
- LAMP-OVAL 93575-26-CHT BULB 117805-02-000 (2)
- SCREW 611-08-16U (2)
- CONNECTOR 58028-01-000 (2)
- JG, JN
- XU, JN
- ITA OR WIN 951
- WIN
- WIN
- ITA OR WIN 951
- CONTROL VOLUME SPEAKER 133089-01-000
- RADIO-SPEAKER 94097-01-000
- GRILLE 90026-01-CHT
- SCREW 611-06-10J (2)
- 20F
- EXTERIOR ENTERTAINMENT CENTER 144818-03-000
- 6 PIN HOUSING TELEPHONE WIRE TO WIRE ASM-SIDEWALL (SEE DETAIL DH)
- RADIO-SPEAKER 94097-01-000 (2)
- GRILLE 90026-01-CHT (2)
- SCREW 611-08-08B (8)
- RECEPTACLE-12V 132958-01-000 (SEE DETAIL DF)
- SWITCH-PUSH BUTTON 41250-01-000
- SCREW 638-08-16E (2)
- SWITCH-PUSH BUTTON 41250-01-000
- SCREW 638-08-16E (2)
- SWITCH (SEE DETAIL ER)
- LIGHT-READING SWIVEL ROUND 132427-01-CHT (2)
- SCREW 611-06-10J (4)
- CONNECTOR 58028-01-000 (4)
- WIRE ASM-SLIDEOUT 150350-01-000
- LAMP-WALL 119258-39-CHT (2)
- BULB 117805-02-000 (4)
- SHADE-LAMP 65201-09-CHT (2)
- LAMP-WALL 119258-37-CHT (2)
- BULB 67479-01-000 (4)
- SHADE-LAMP 119257-18-CHT (2)
- SCREW 687-10-24J (4)
- CONNECTOR 58028-01-000 (4)
- WIN WINNEBAGO ONLY
- ITA ITASCA ONLY
- 42A CLOCK W/ALARM
- 951 STAINLESS STEEL PACKAGE
- 265 CODES/STANDARDS - CSA/CMVSS
- 25E STEREO SYSTEM W/CD REAR
- 20F SOUND SYSTEM DELUXE - WITHOUT
- 20C SOUND SYSTEM DELUXE
- 1B1 CODES/STANDARDS - USA
- 1B1 265

FOR ELECTRICAL TORQUE SPECIFICATIONS SEE DWG NO. 128783-01-000

FOR ELECTRICAL CALLOUTS SEE DWG NO. 121339-01-000

FIRST USED	05 G38R
DO NOT SCALE DRAWING	
TITLE:	WIRING INSTL-BODY,12V
SHEET 3	PART NO 150020



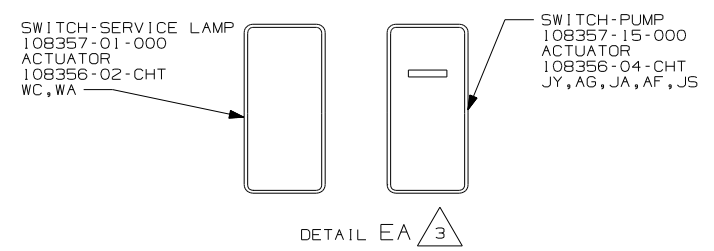
- NOTES:
- 4 FOR POSITIONING DIMENSIONS SEE WIRING INSTL-BODY, 110V SHT 4.
 - 3 WITHOUT (29H) PLUG THE TWO PIN HOUSINGS TOGETHER ON WIRE ASM-THERMOSTAT.
 - 2 MOUNT SWITCH AND SPACER TO BLOCK ON JAMB ADJUST HEIGHT TO MATCH MAGNET.
 - 1 MOUNT MAGNET USING PILOT HOLES IN SCREEN DOOR FRAME. MOUNT WITH MAGNET TOWARD SWITCH.

FOR ELECTRICAL TORQUE SPECIFICATIONS SEE DWG NO. 128783-01-000

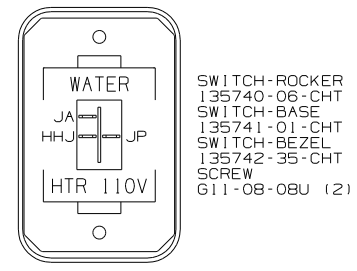
FOR ELECTRICAL CALLOUTS SEE DWG NO. 121339-01-000

- (92K) EXTERIOR GRAPHICS PACKAGE #2
- (92A) EXT FULL BODY PAINT PKG # 2
- (29H) HEAT PUMP - A/C CENTRAL
- (276) EXTERIOR GRAPHICS PACKAGE #1
- (27A) EXT FULL BODY PAINT PKG #1
- (265) CODES/STANDARDS - CSA/CMVSS
- (1B1) CODES/STANDARDS - USA

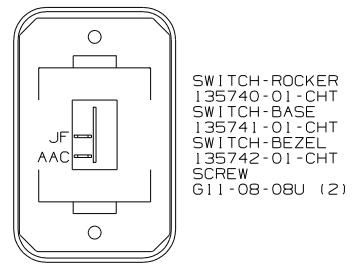
FIRST USED	05 G38R
TITLE	DO NOT SCALE DRAWING
TITLE	WIRING INSTL-BODY, 12V
SHEET 4	PART NO 150020



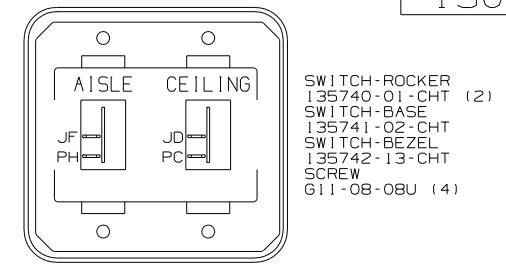
DETAIL EA



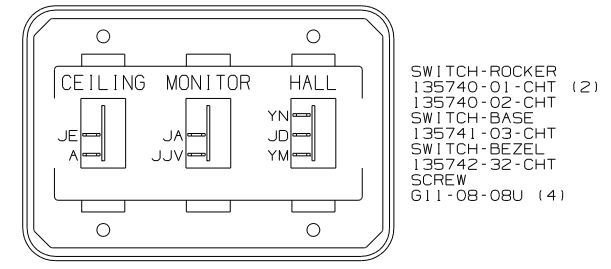
DETAIL EF



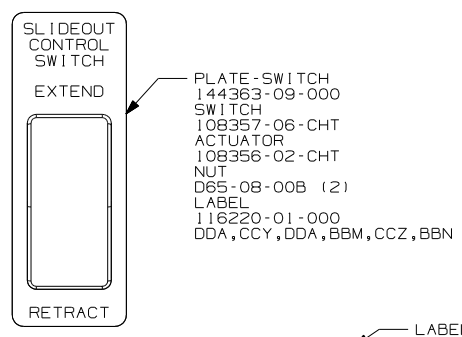
DETAIL EL



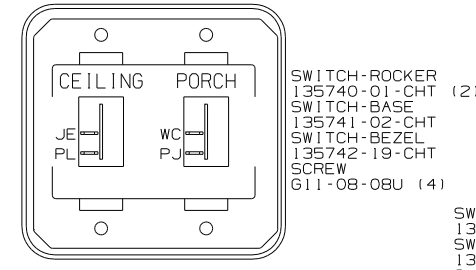
DETAIL ER (WIN)



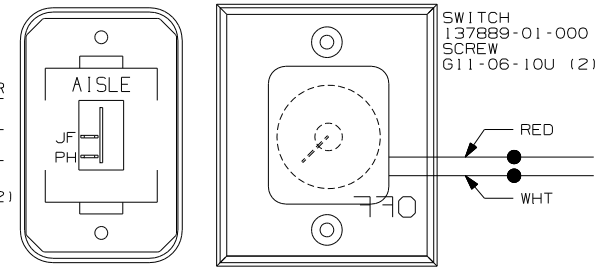
DETAIL EB



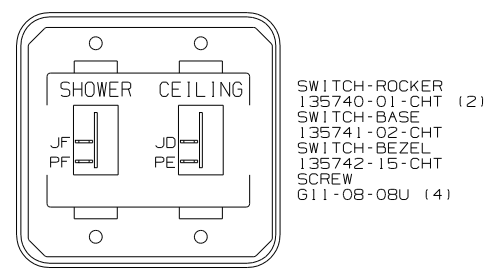
DETAIL EG



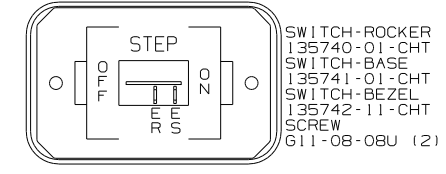
DETAIL EM



DETAIL ER (ITA)

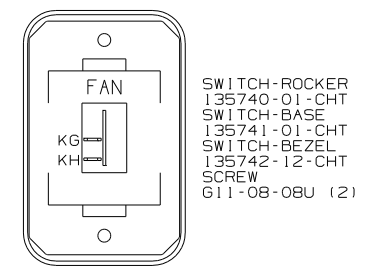


DETAIL EC

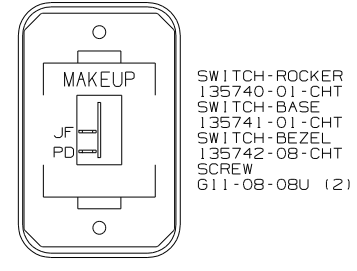


DETAIL EN

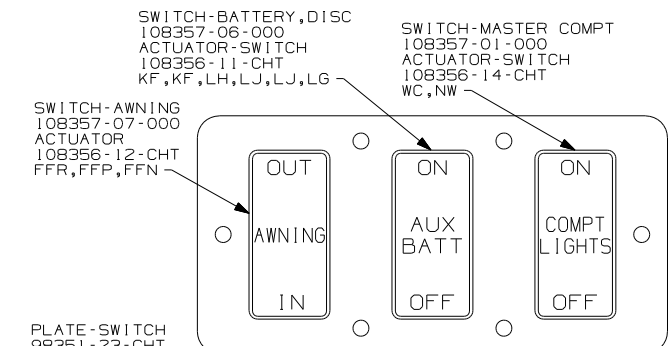
WARNING UNDERSTAND OPERATOR'S MANUAL BEFORE USING KEEP PEOPLE AND OBSTRUCTIONS CLEAR OF SLIDEOUT ROOM WHEN OPERATING TO AVOID INJURY AND/OR PROPERTY DAMAGE LABEL-WARNING 116549-01-000



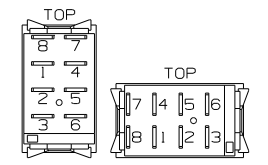
DETAIL ED



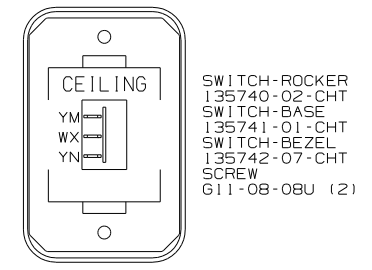
DETAIL EH



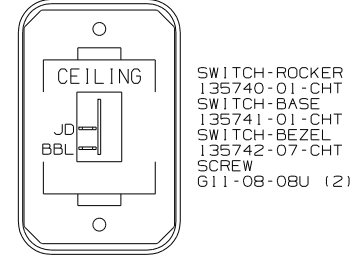
DETAIL EP (52N)



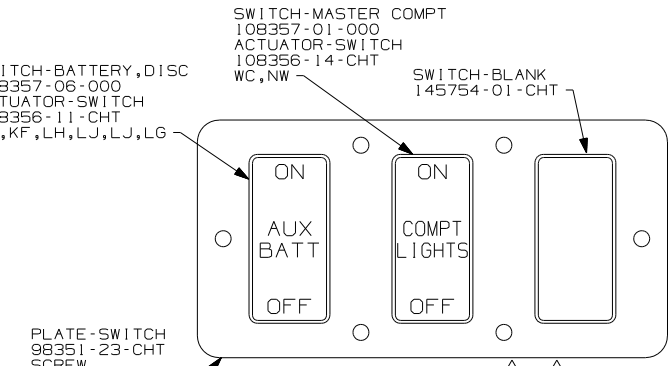
DETAIL ES



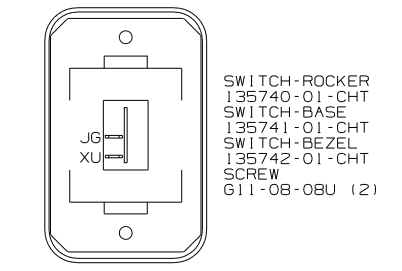
DETAIL EE



DETAIL EJ



DETAIL EP



DETAIL ET (ITA) OR (951) (WIN)

- (951) STAINLESS STEEL PACKAGE
- (WIN) WINNEBAGO ONLY
- (ITA) ITASCA ONLY
- (52N) AWNING - PATIO, ELECTRIC
- (256) CODES/STANDARDS - CSA/CMVSS
- (1B1) CODES/STANDARDS - USA

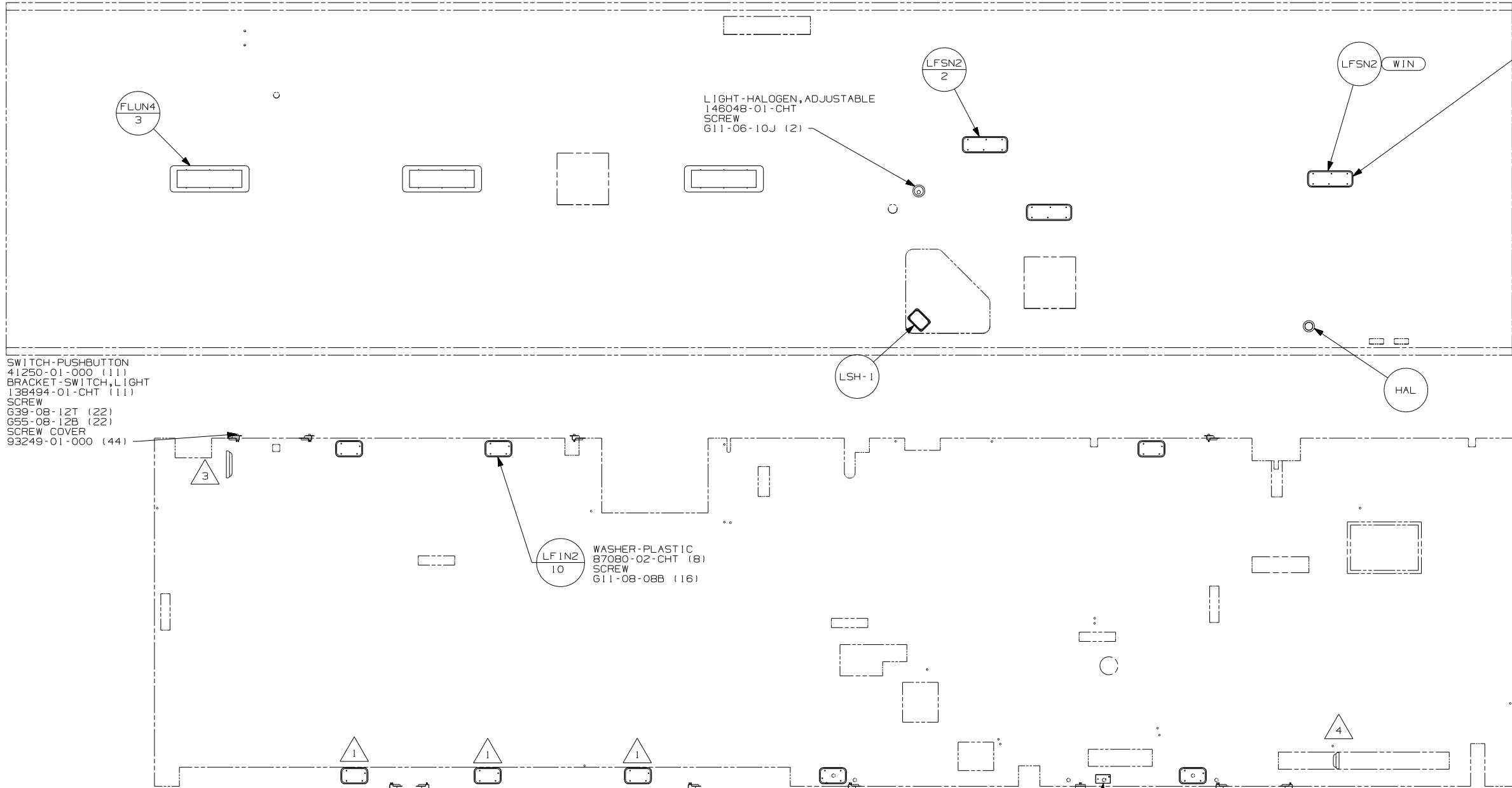
FOR SWITCH ORIENTATION SEE DETAIL ES.
 WITHOUT (52N).

NOTES:
 1. SWITCHES ARE TO BE INSTALLED AS SHOWN ON THIS DRAWING.

FOR ELECTRICAL TORQUE SPECIFICATIONS SEE DWG NO. 128783-01-000

(X-X) FOR ELECTRICAL CALLOUTS SEE DWG NO. 121339-01-000

FIRST USED	05 G38R
DO NOT SCALE DRAWING	
TITLE:	WIRING INSTL-BODY,12V
SHEET 5	PART NO 150020



SWITCH-PUSHBUTTON
41250-01-000 (11)
BRACKET-SWITCH,LIGHT
138494-01-CHT (11)
SCREW
G39-08-12T (22)
G55-08-12B (22)
SCREW COVER
93249-01-000 (44)

LIGHT-HALOGEN,ADJUSTABLE
146048-01-CHT
SCREW
G11-06-10J (2)

LIGHT
93575-33-CHT
BULB
117805-02-000 (4) } ITA
SCREW
G11-08-16U (3)
CONNECTOR
58028-01-000 (2)

WASHER-PLASTIC
87080-02-CHT (8)
SCREW
G11-08-08B (16)

LAMP
86280-01-000
SCREW
G67-10-12U (4)
CONNECTOR
58028-01-000 (2)

- (WIN) WINNEBAGO ONLY
- (ITA) ITASCA ONLY
- (48V) LIGHTS - FLUORESCENT
- (48M) LIGHTS - INCANDESCENT
- (265) CODES/STANDARDS - CSA/CMVSS
- (1B1) CODES/STANDARDS - USA

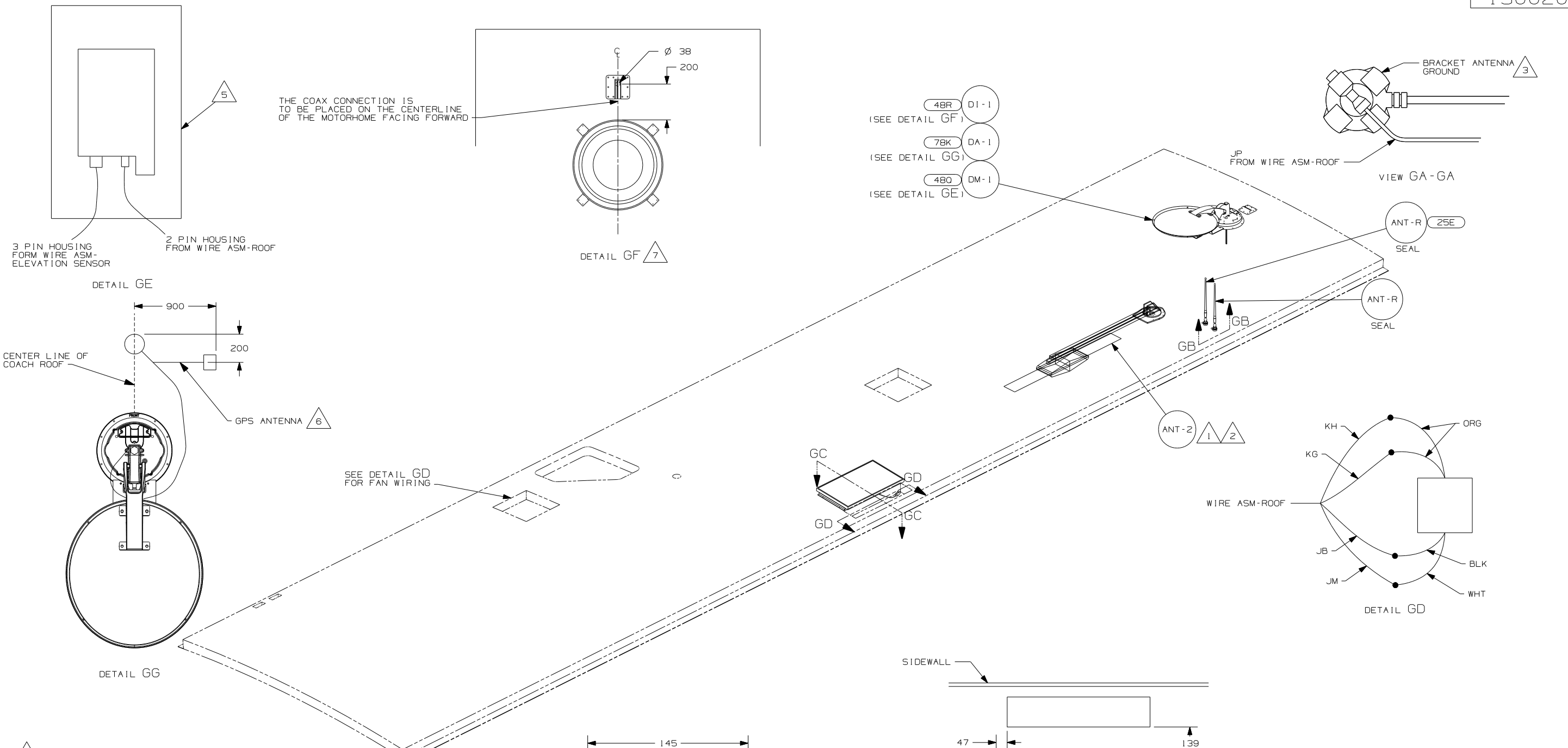
- 4 LAMP LOCATED IN POWER CORD COMPARTMENT.
- 3 LAMP LOCATED IN WATER HEATER COMPARTMENT.
- 2 LAMP LOCATED IN SERVICE COMPARTMENT.
- 1 LAMPS LOCATED IN SLIDEOUT COMPARTMENTS.

FOR ELECTRICAL
TORQUE
SPECIFICATIONS
SEE DWG NO.
128783-01-000

FOR ELECTRICAL
CALLOUTS
SEE DWG NO.
121339-01-000

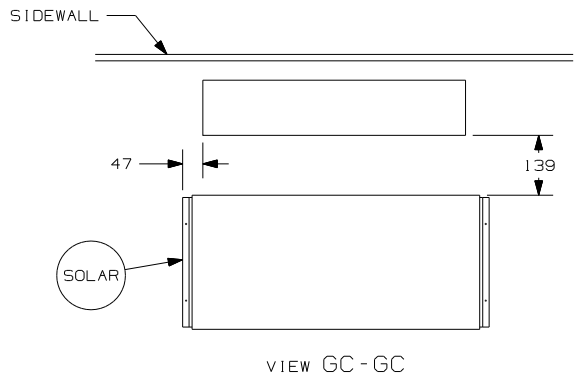
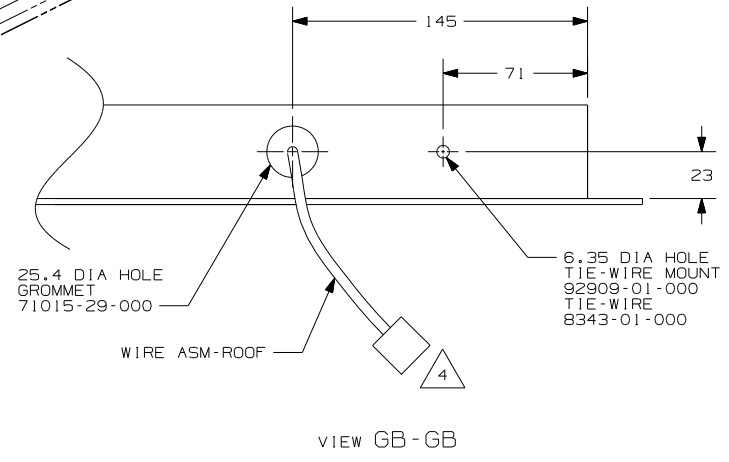
FIRST USED	05 G38R
DO NOT SCALE DRAWING	
TITLE:	WIRING INSTL-BODY,12V
SHEET 6	PART NO 150020

THE COAX CONNECTION IS TO BE PLACED ON THE CENTERLINE OF THE MOTORHOME FACING FORWARD



- 7 REMOVE ALL SHIPPING RESTRAINTS AND FIRMLY INSERT THE SUPPLIED PLUGS INTO THE APPROPRIATE SIZED HOLES AS SPECIFIED IN THE INSTALLATION PROCESS.
- 6 MOUNT GPS ANTENNA TO THE RIGHT OF THE SATELLITE AS SHOWN. SECURE CABLE WITH ROOF SEALANT.
- 5 SENSOR SUPPLIED WITH SATELLITE ASSEMBLY.
- 4 FASTEN TO VENT.
- 3 WRAP BRACKET LEGS AROUND ANTENNA BASE.
- 2 ADD RUBBER BUMPERS TO ROOF UNDER EACH END OF ANTENNA TO PREVENT CONTACT WITH THE ROOF.
- 1 SEE DWG 76319-01-000 FOR INSTALLATION OF TV ANTENNA.

NOTES:



FOR ELECTRICAL TORQUE SPECIFICATIONS SEE DWG NO. 128783-01-000

FOR ELECTRICAL CALLOUTS SEE DWG NO. 121339-01-000

- 7BK SATELLITE DISH-AUTOMATIC
- 4BR SAT SYS IN-MOTION W/O RCVR
- 480 SATELLITE DISH & ELEV.SENSOR
- 265 CODES/STANDARDS-CSA/CMVSS
- 25E STEREO SYSTEM W/CD REAR
- 1B1 CODES STANDARDS-USA

FIRST USED	05 G38R
DO NOT SCALE DRAWING	
TITLE:	WIRING INSTL-BODY, 12V
SHEET 7	PART NO 150020