



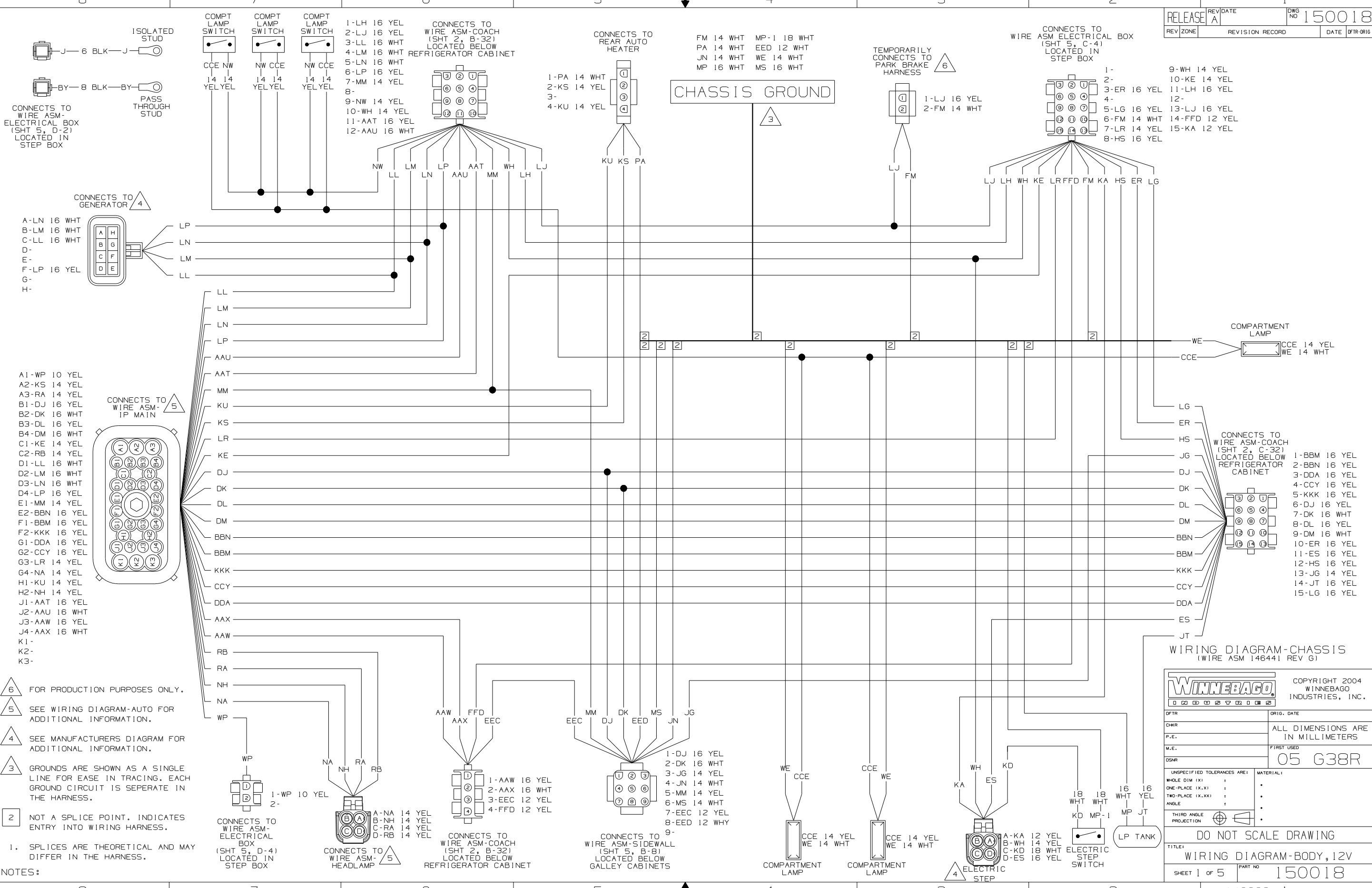
DANGER

Danger of electrical shock, burns or death. Always remove all power sources before attempting any repair, service or diagnostic work. Power can be present from shore power, generator, inverter or battery. All power sources must be disabled and secured before performing any service.



CAUTION

If you lack the skills, tools or equipment to perform diagnostic or repair work leave such work to an authorized Winnebago Industries dealer or other qualified shop.



△ 6 FOR PRODUCTION PURPOSES ONLY.
 △ 5 SEE WIRING DIAGRAM-AUTO FOR ADDITIONAL INFORMATION.
 △ 4 SEE MANUFACTURERS DIAGRAM FOR ADDITIONAL INFORMATION.
 △ 3 GROUNDS ARE SHOWN AS A SINGLE LINE FOR EASE IN TRACING. EACH GROUND CIRCUIT IS SEPERATE IN THE HARNESS.
 □ 2 NOT A SPLICE POINT. INDICATES ENTRY INTO WIRING HARNESS.

NOTES:
 1. SPLICES ARE THEORETICAL AND MAY DIFFER IN THE HARNESS.

WIRING DIAGRAM-CHASSIS
 (WIRE ASM 146441 REV G)

WINNEBAGO COPYRIGHT 2004 WINNEBAGO INDUSTRIES, INC.

DFTR	ORIG. DATE
CHKR	ALL DIMENSIONS ARE IN MILLIMETERS
P.E.	FIRST USED
M.E.	05 G38R
DSNR	

UNSPECIFIED TOLERANCES ARE:
 WHOLE DIM (X) :
 ONE-PLACE (X.X) :
 TWO-PLACE (X.XX) :
 ANGLE :
 THIRD ANGLE PROJECTION

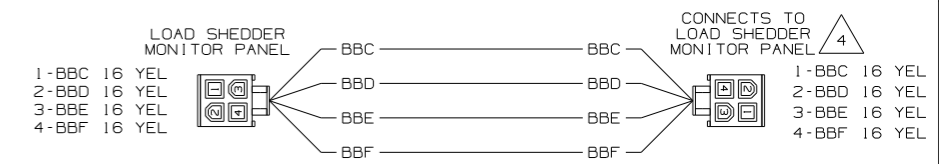
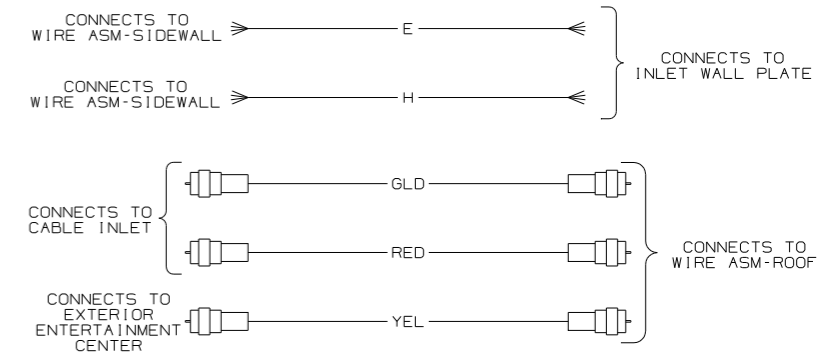
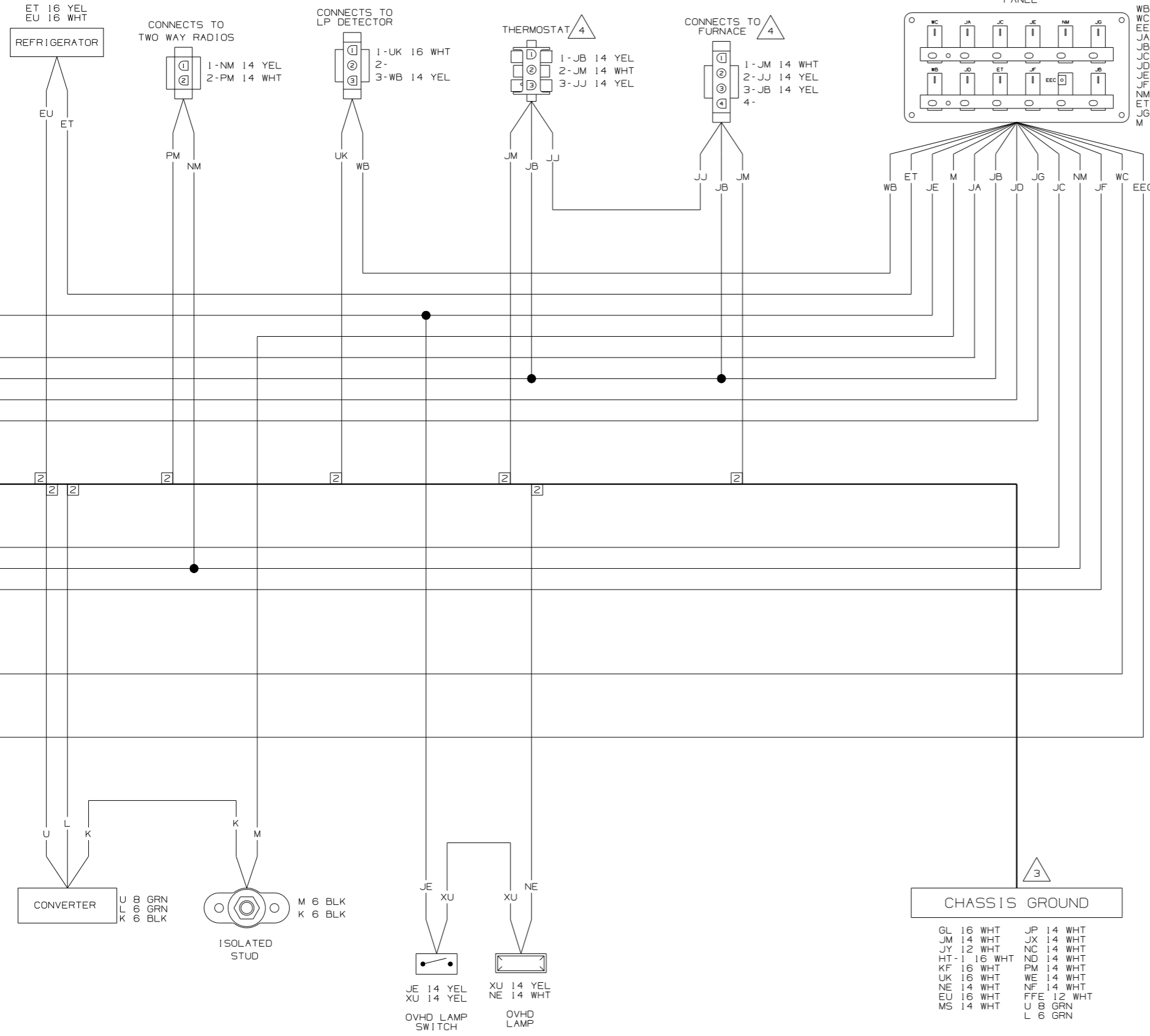
MATERIAL:

DO NOT SCALE DRAWING

TITLE:
 WIRING DIAGRAM-BODY, 12V

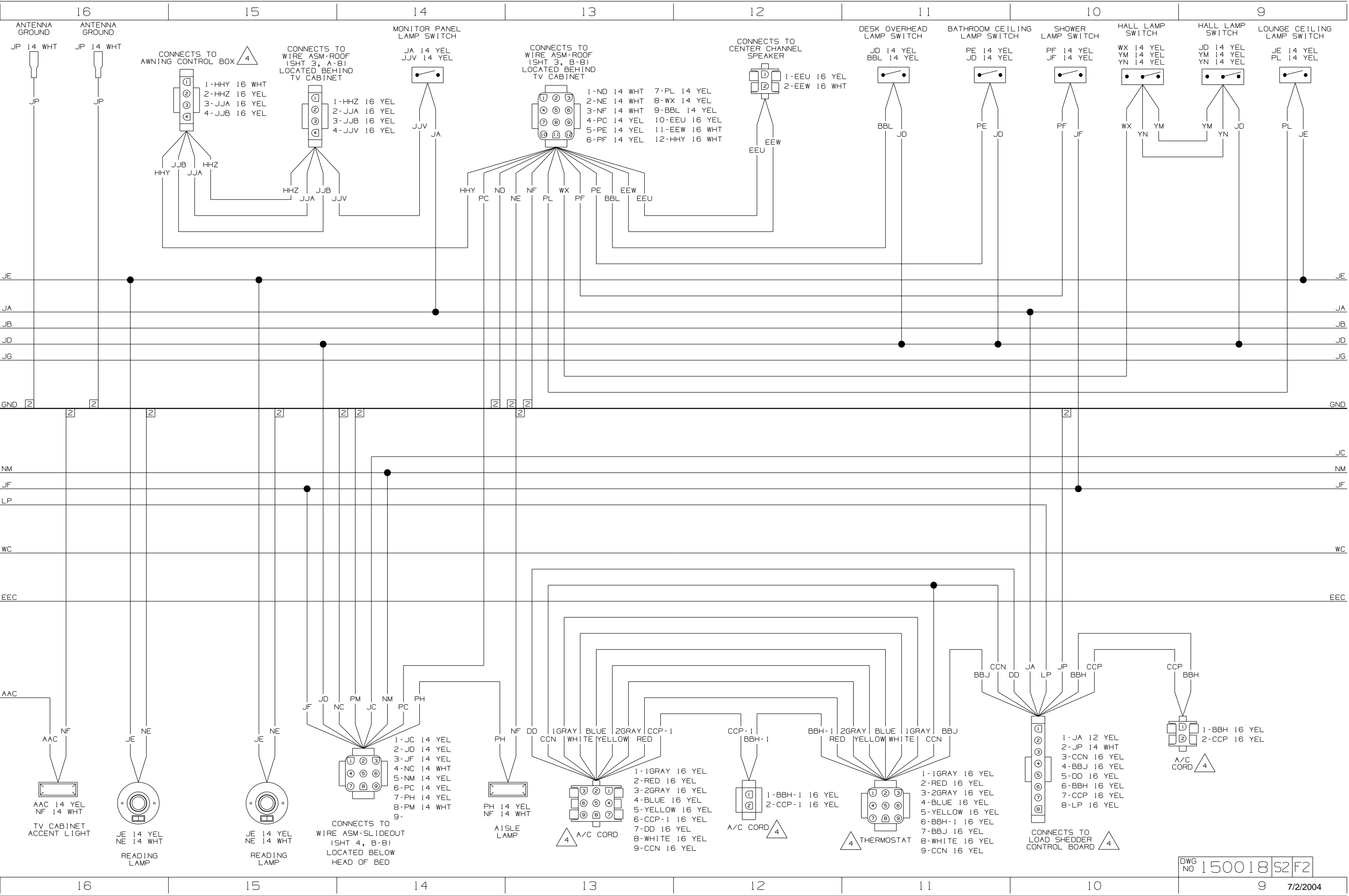
SHEET 1 of 5 PART NO 150018

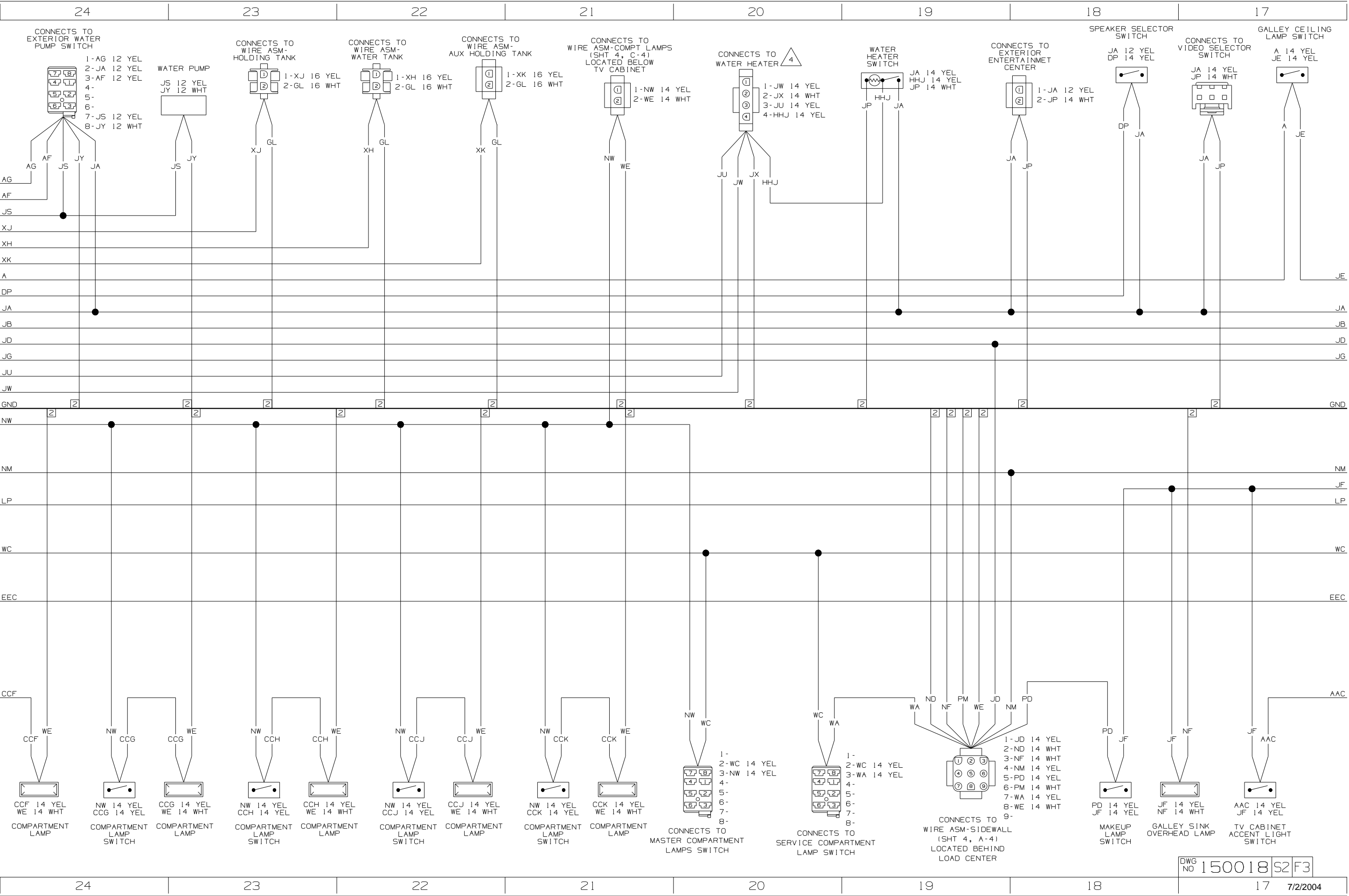
REF: 146268 1 7/2/2004



WIRING DIAGRAM-COACH (WIRE ASM 150351 REV E)

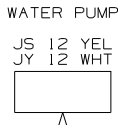
FIRST USED	05 G38R	
TITLE	DO NOT SCALE DRAWING	
TITLE	WIRING DIAGRAM-BODY, 12V	
SHEET 2	PART NO	150018





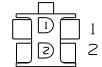
CONNECTS TO EXTERIOR WATER PUMP SWITCH

1-AG 12 YEL
2-JA 12 YEL
3-AF 12 YEL
4-
5-
6-
7-JS 12 YEL
8-JY 12 WHT



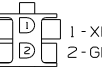
CONNECTS TO WIRE ASM-HOLDING TANK

1-XJ 16 YEL
2-GL 16 WHT



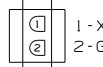
CONNECTS TO WIRE ASM-WATER TANK

1-XH 16 YEL
2-GL 16 WHT



CONNECTS TO WIRE ASM-AUX HOLDING TANK

1-XK 16 YEL
2-GL 16 WHT



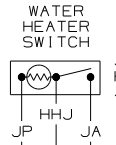
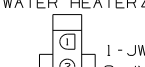
CONNECTS TO WIRE ASM-COMPT LAMPS (SHT 4, C-4) LOCATED BELOW TV CABINET

1-NW 14 YEL
2-WE 14 WHT



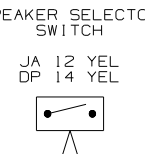
CONNECTS TO WATER HEATER

1-JW 14 YEL
2-JX 14 WHT
3-JU 14 YEL
4-HHJ 14 YEL



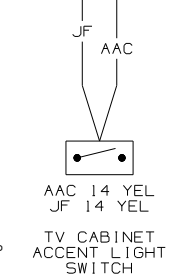
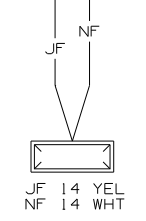
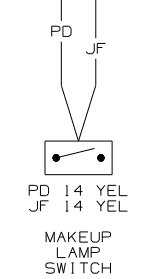
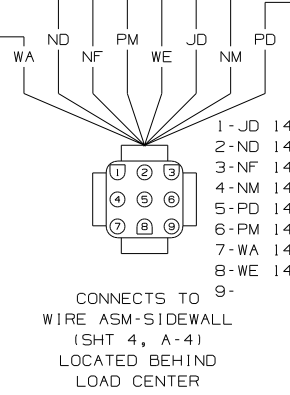
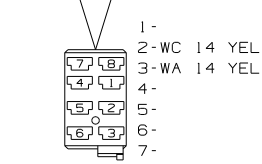
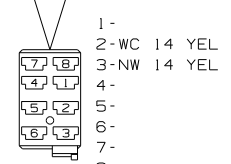
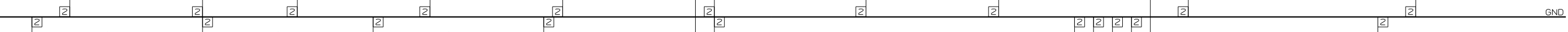
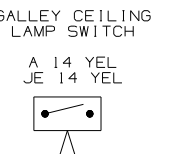
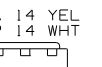
CONNECTS TO EXTERIOR ENTERTAINMENT CENTER

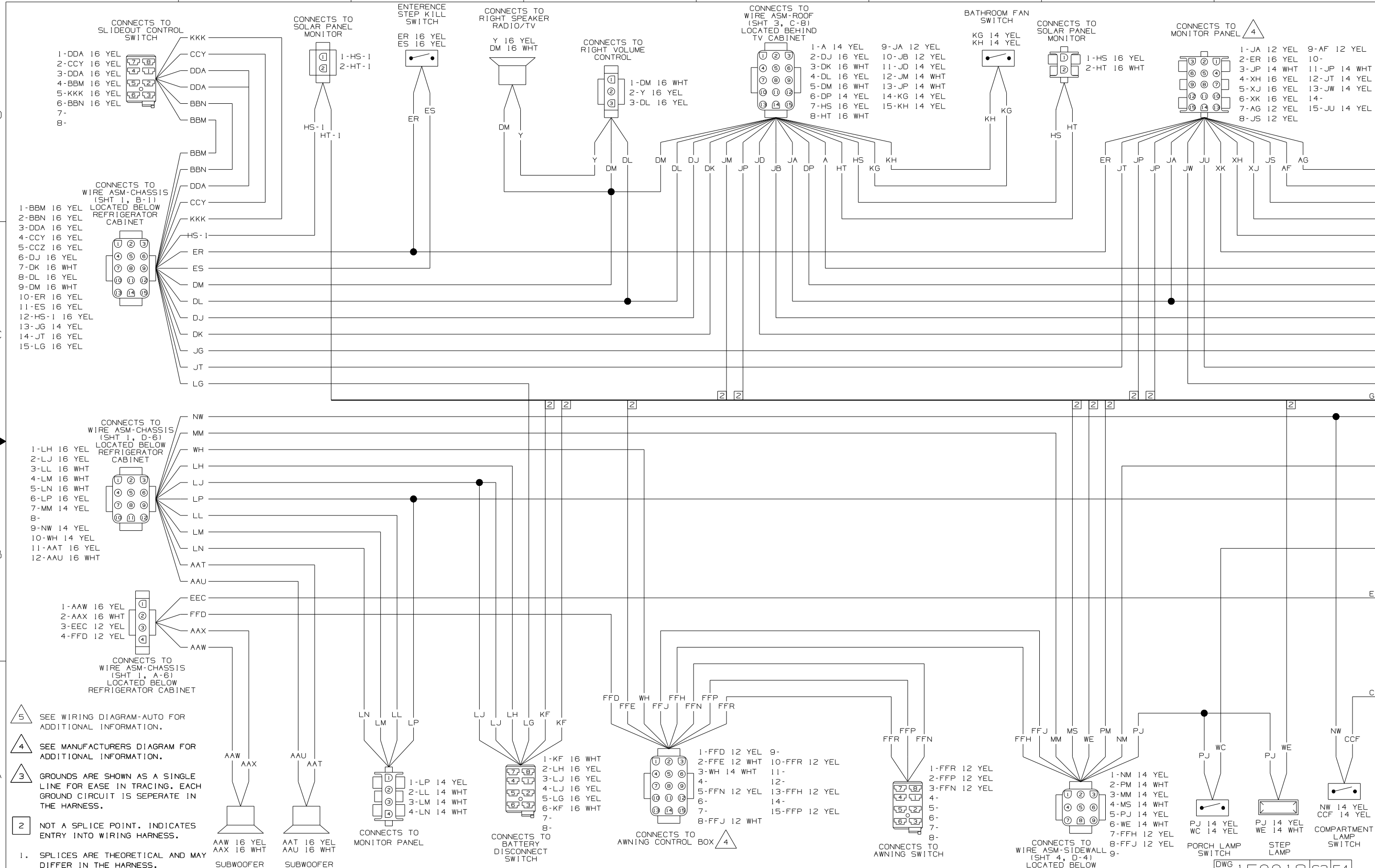
1-JA 12 YEL
2-JP 14 WHT



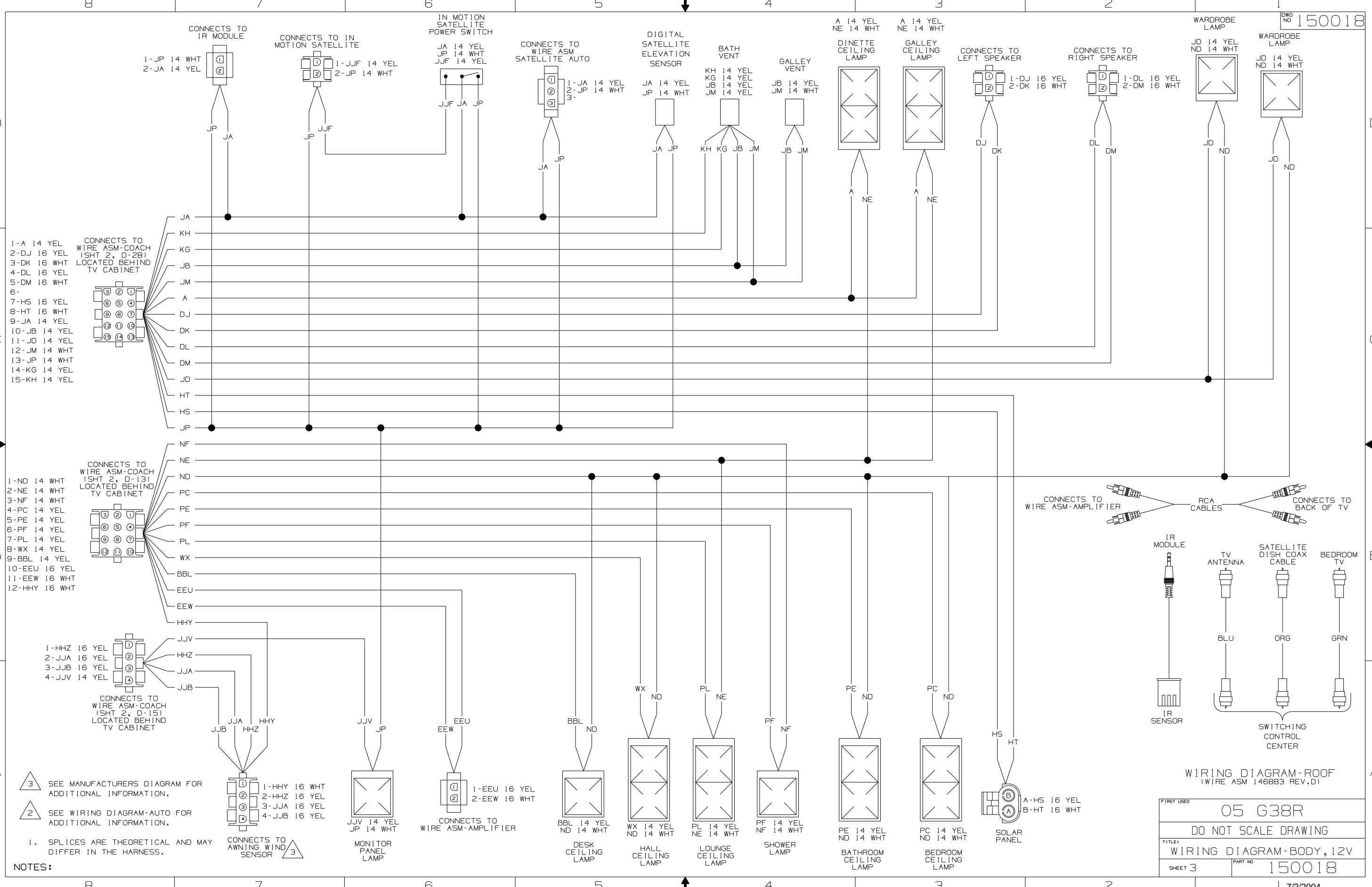
CONNECTS TO VIDEO SELECTOR SWITCH

JA 14 YEL
JP 14 WHT





- 5 SEE WIRING DIAGRAM-AUTO FOR ADDITIONAL INFORMATION.
- 4 SEE MANUFACTURERS DIAGRAM FOR ADDITIONAL INFORMATION.
- 3 GROUNDS ARE SHOWN AS A SINGLE LINE FOR EASE IN TRACING. EACH GROUND CIRCUIT IS SEPERATE IN THE HARNESS.
- 2 NOT A SPLICE POINT. INDICATES ENTRY INTO WIRING HARNESS.
- 1. SPLICES ARE THEORETICAL AND MAY DIFFER IN THE HARNESS.



- 1-A 14 YEL
- 2-DJ 16 YEL
- 3-DK 16 WHT
- 4-DL 16 YEL
- 5-DM 16 WHT
- 6-
- 7-HS 16 YEL
- 8-HT 16 WHT
- 9-JA 14 YEL
- 10-JB 14 YEL
- 11-JD 14 YEL
- 12-JM 14 WHT
- 13-JP 14 WHT
- 14-KG 14 YEL
- 15-KH 14 YEL

- 1-ND 14 WHT
- 2-NE 14 WHT
- 3-NF 14 WHT
- 4-PC 14 YEL
- 5-PE 14 YEL
- 6-PF 14 YEL
- 7-PL 14 YEL
- 8-WX 14 YEL
- 9-BBL 14 YEL
- 10-EEU 16 YEL
- 11-EEW 16 WHT
- 12-HHY 16 WHT

- 1-HHZ 16 YEL
- 2-JJA 16 YEL
- 3-JJB 16 YEL
- 4-JJV 14 YEL

3 SEE MANUFACTURERS DIAGRAM FOR ADDITIONAL INFORMATION.

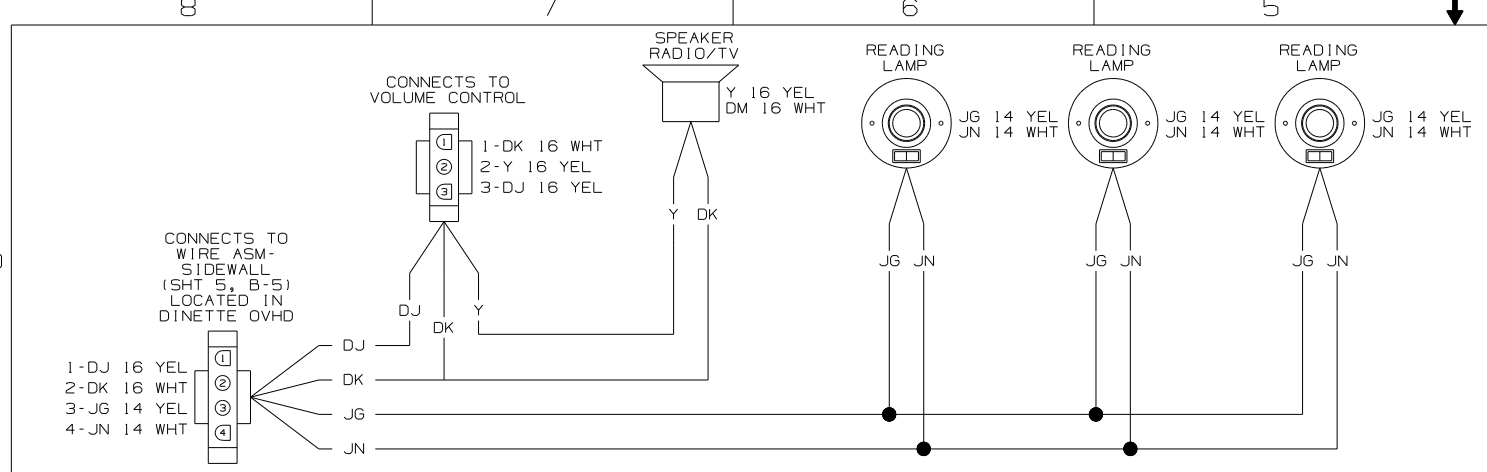
2 SEE WIRING DIAGRAM-AUTO FOR ADDITIONAL INFORMATION.

1. SPLICES ARE THEORETICAL AND MAY DIFFER IN THE HARNESS.

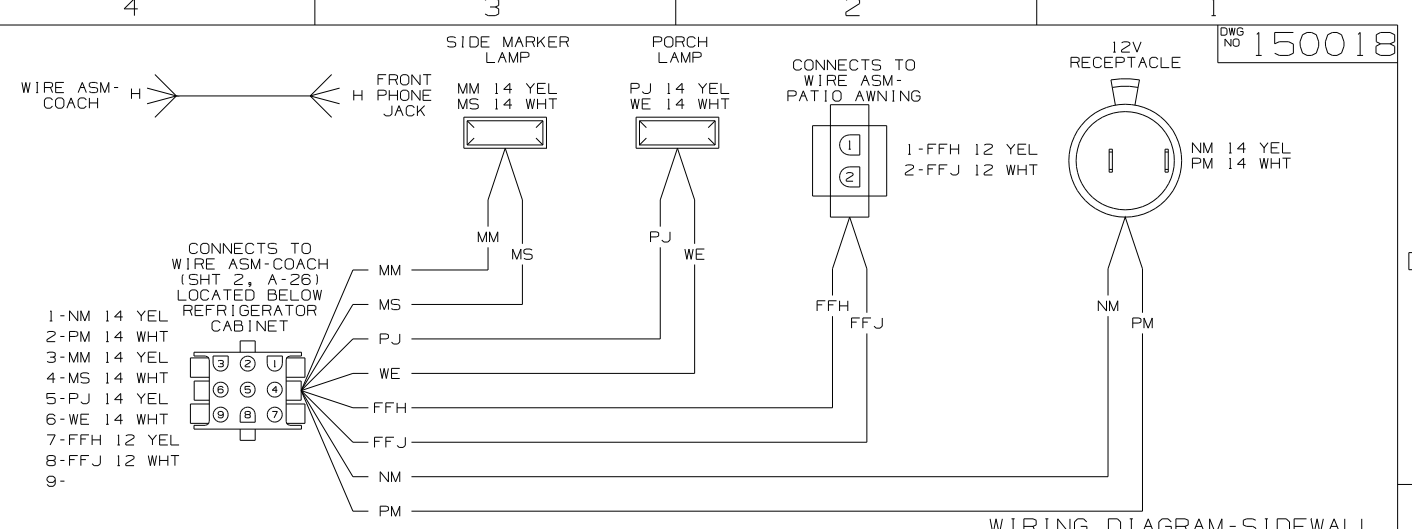
WIRING DIAGRAM-ROOF
(WIRE ASM 146883 REV.D)

FIRST USED	05 G38R
DO NOT SCALE DRAWING	
TITLE:	WIRING DIAGRAM-BODY, 12V
SHEET 3	PART NO 150018

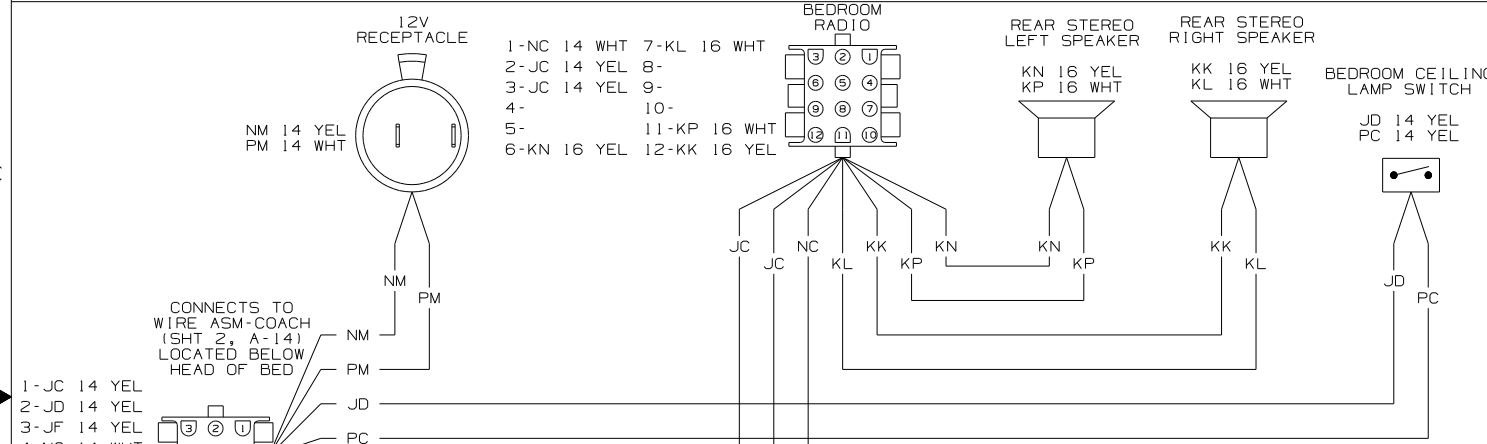
1 7/2/2004



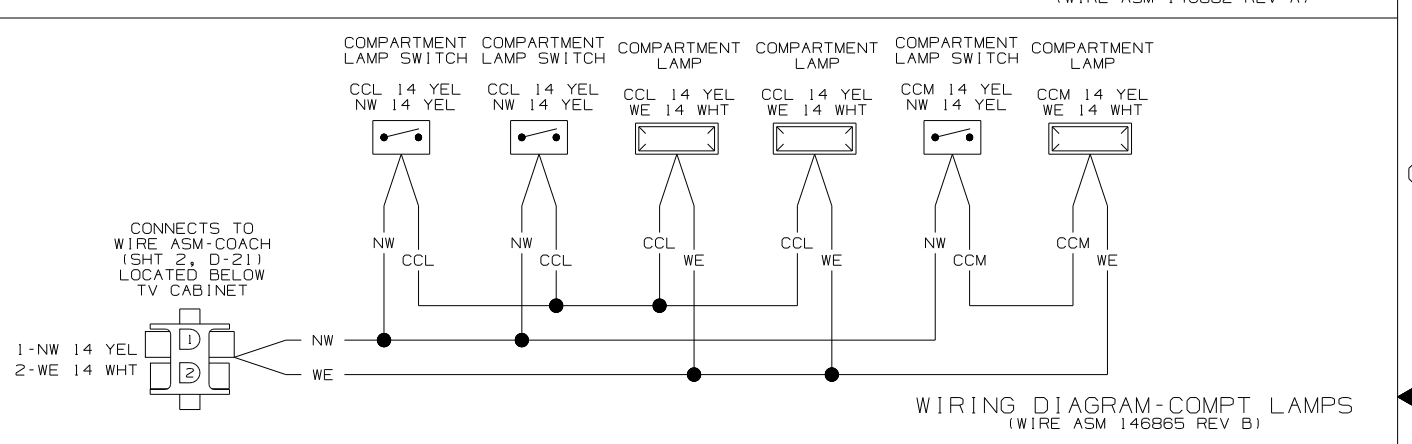
WIRING DIAGRAM-OVHD
(WIRE ASM 146985 REV A)



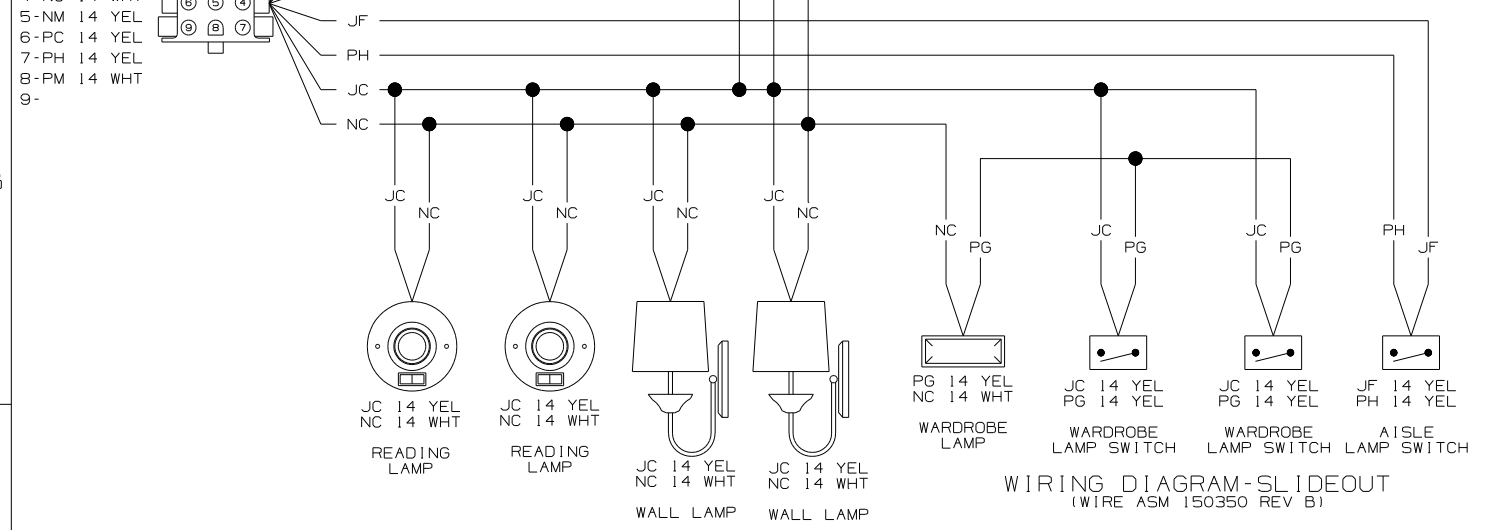
WIRING DIAGRAM-SIDEWALL
(WIRE ASM 146882 REV A)



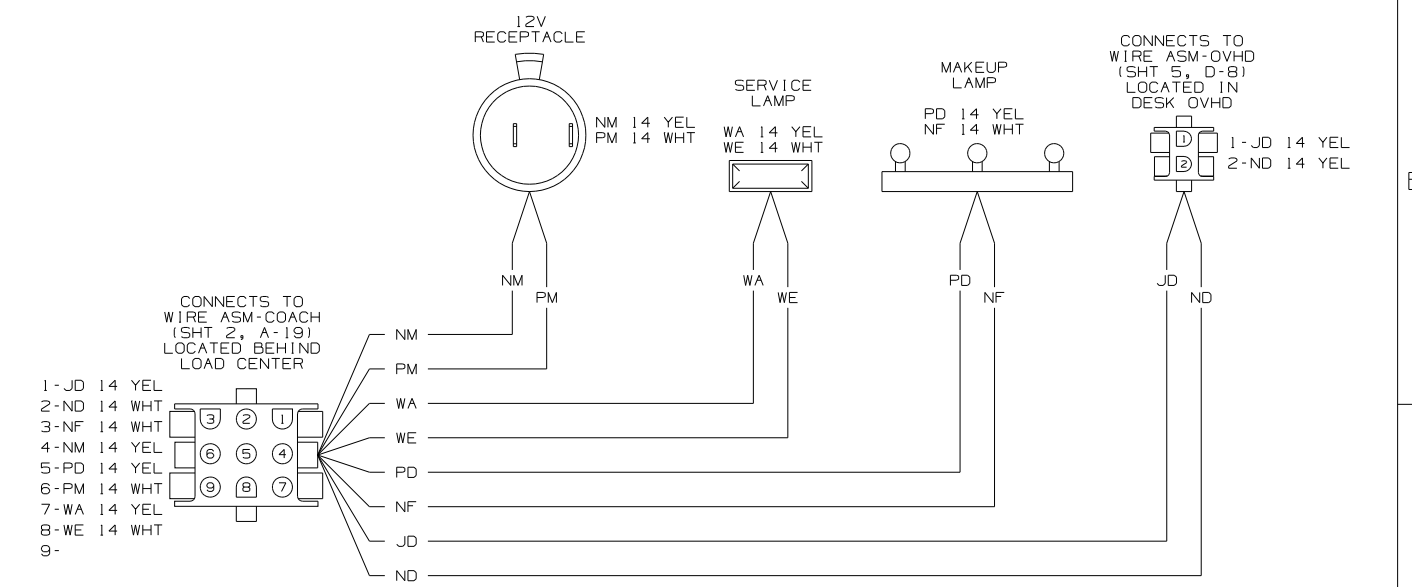
WIRING DIAGRAM-SLIDEOUT
(WIRE ASM 150350 REV B)



WIRING DIAGRAM-COMPT LAMPS
(WIRE ASM 146865 REV B)

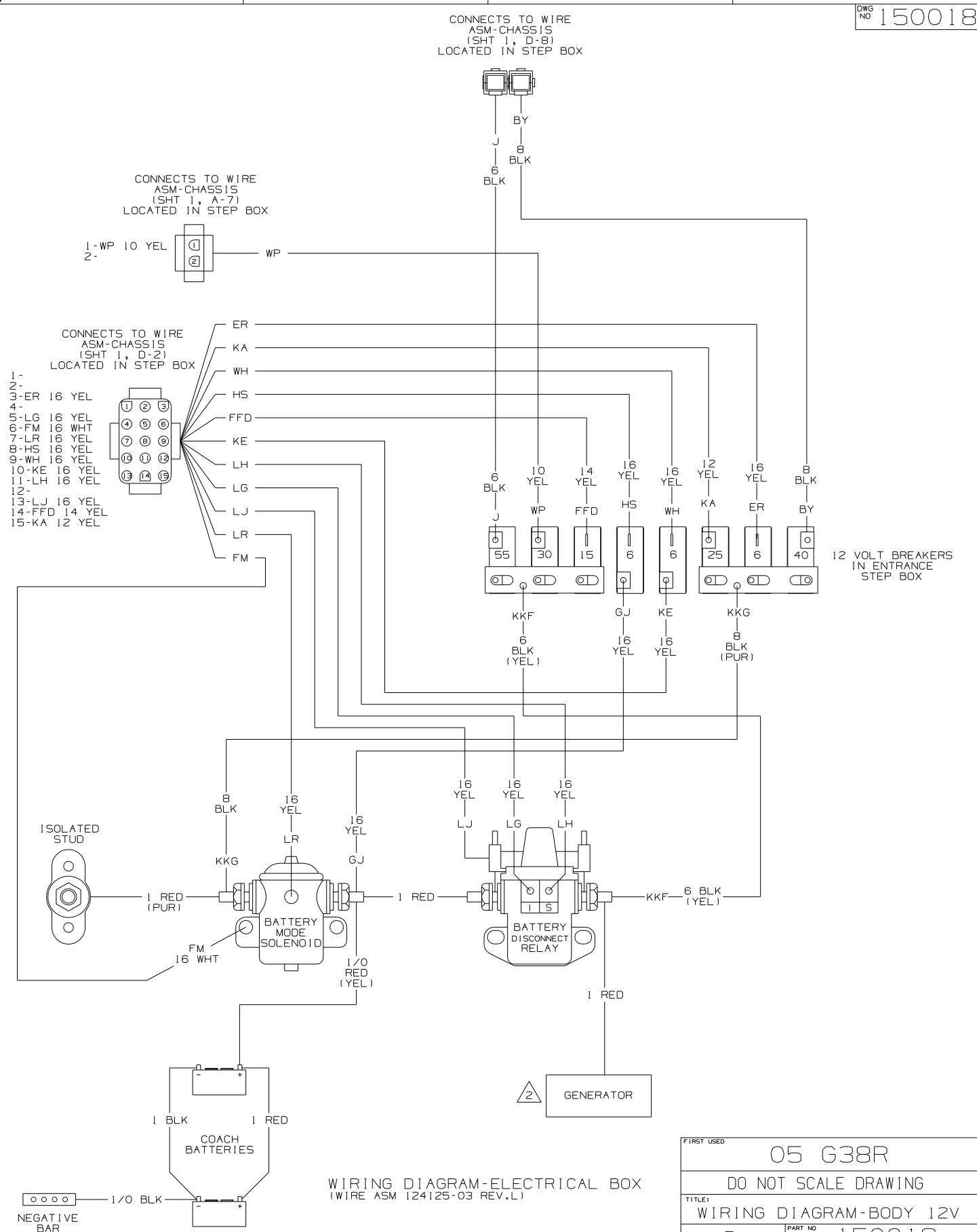
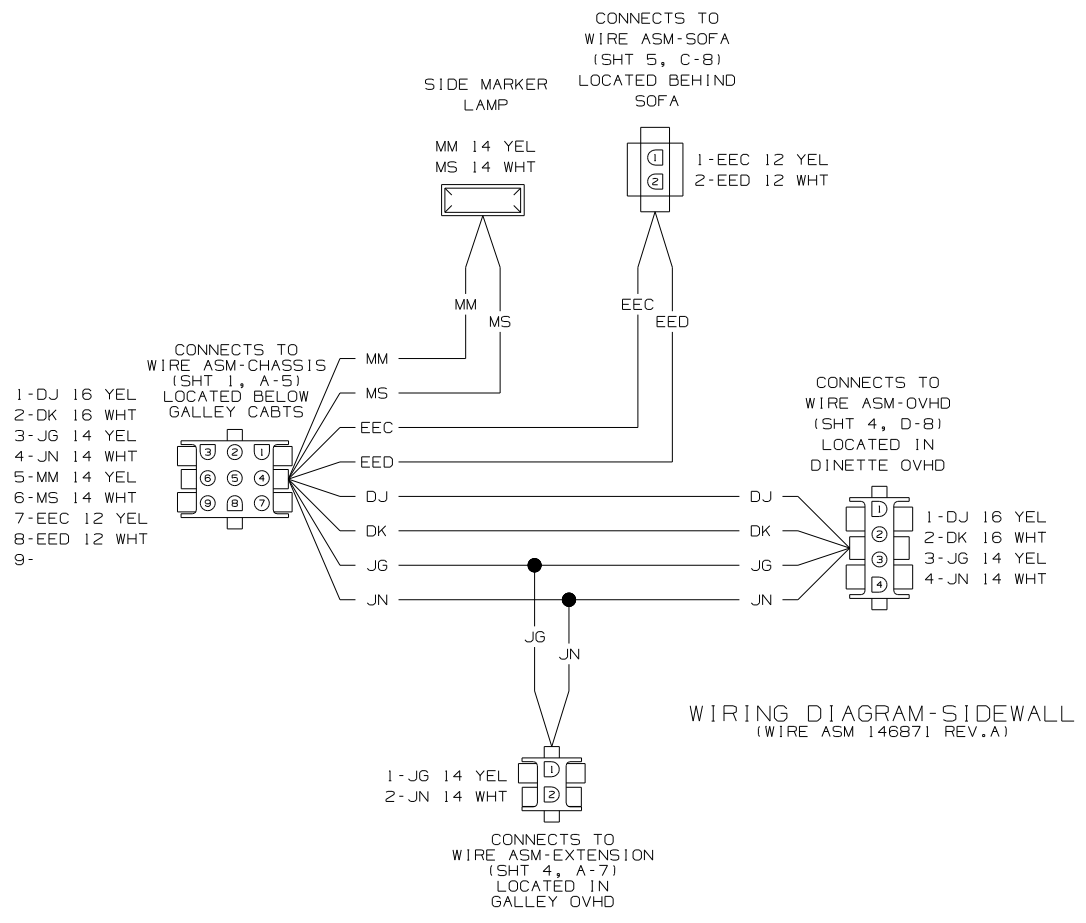
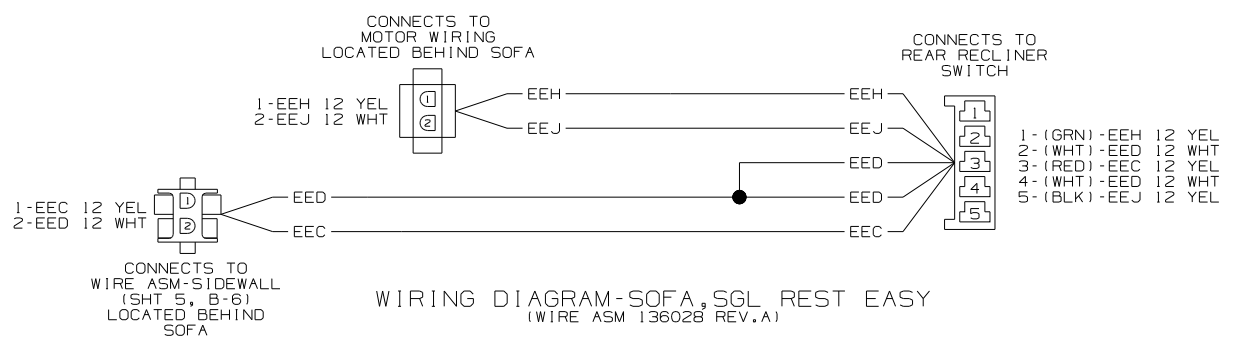
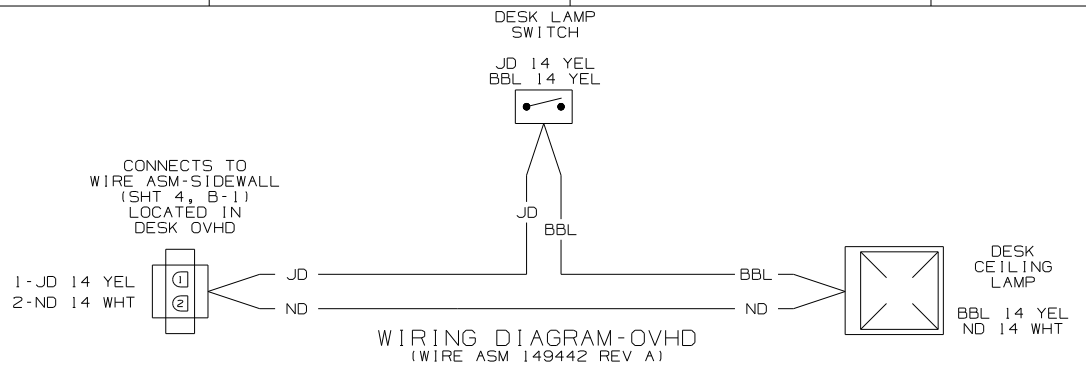


WIRING DIAGRAM-EXTENSION, 2PIN
(WIRE ASM 133572-03 REV E)



WIRING DIAGRAM-SIDEWALL
(WIRE ASM 151225 REV A)

FIRST USED	05 G38R
TITLE	DO NOT SCALE DRAWING
TITLE	WIRING DIAGRAM-BODY, 12V
SHEET 4	PART NO 150018



NOTES:

2 NOT USED

1 SEE MANUFACTURER'S DIAGRAM FOR ADDITIONAL INFORMATION.

FIRST USED	05 G38R
TITLE	DO NOT SCALE DRAWING
	WIRING DIAGRAM-BODY 12V
SHEET 5	PART NO 150018