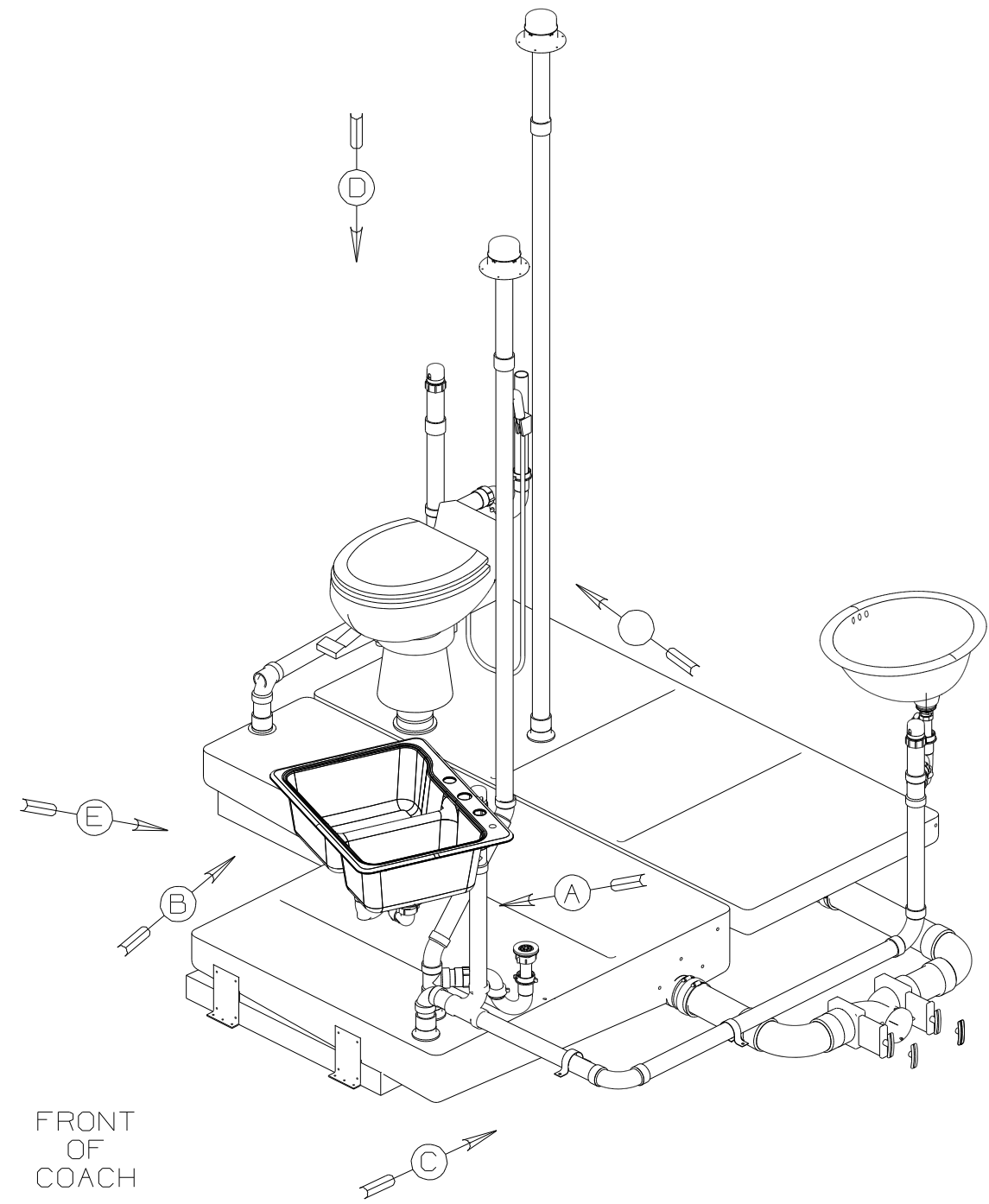


DWG NO	--
148146-01	(WIN)
148146-02	(ITA)

RELEASE	REV DATE	DWG NO	148146
A			
REV ZONE	REVISION RECORD	DATE	DFTR-ORIG

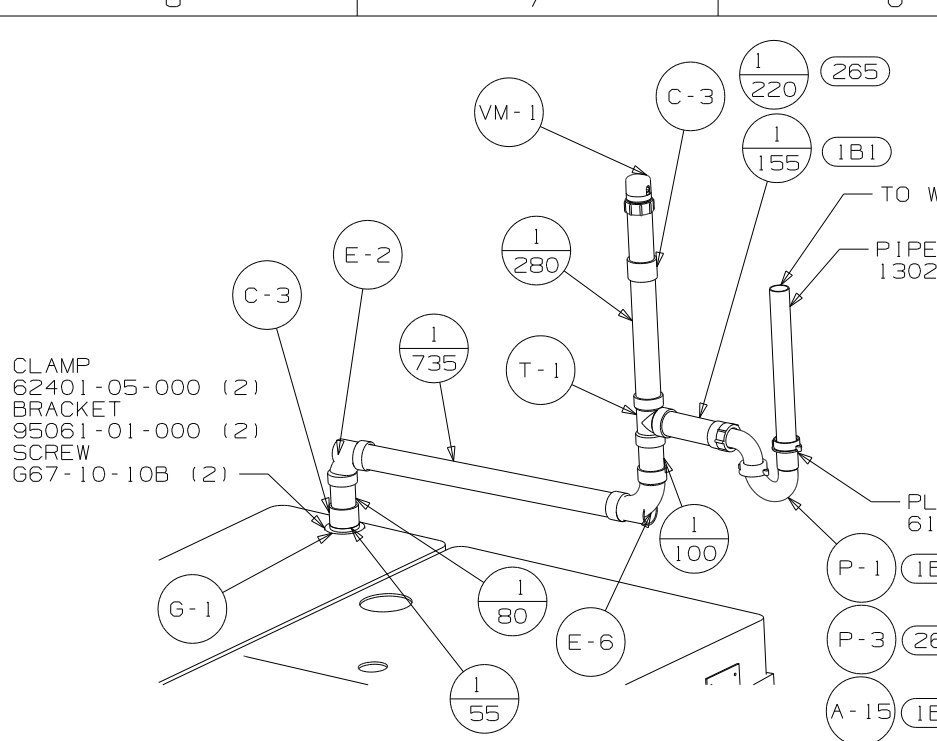


9. SECURE PIPES TO FLOOR USING BRACKET 136878-01-CHT (3) CLAMP 62401-02-000 (3) AND SCREW G67-10-12B (3).
8. SECURE PIPES TO CABINET USING WIRE TIE 108046-02-000 AND SCREW G67-10-12U (8).
7. SEE DWG 61607-01-000 FOR INSTL OF GROMMET.
6. VENT PIPE MUST PROJECT 51 MIN AND 64 MAX ABOVE ROOF FOR PROPER FIT AND FUNCTION.
5. SEAL AROUND SHOWER WITH SILICONE.
4. ALL EXTERIOR OPENINGS AROUND PIPE TO BE SEALED WITH 110744-01-000.
3. ALL PIPE AND FITTINGS TO BE ASSEMBLED WITH SOLVENT 4020-01-000 (US) 4020-02-000 (CAN).
2. SLOPE OF TRAP ARM MUST BE 6 PER 305 mm.
1. SLOPE OF HORIZONTAL PIPING TO BE MIN 3 PER 305 mm.

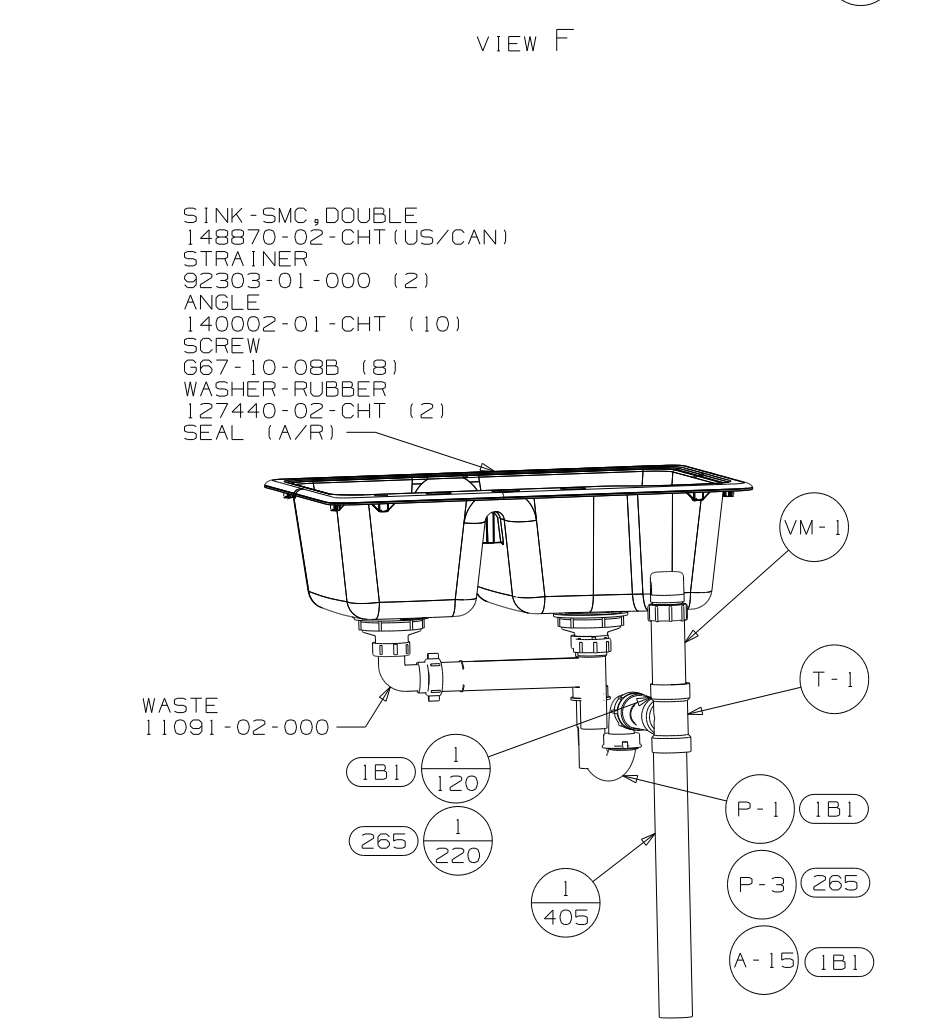
- (WIN) WINNEBAGO ONLY
- (ITA) ITASCA ONLY
- (IBI) CODES/STANDARDS USA
- (265) CODES/STDS-CSA/CMVSS
- (430) TOILET-PORCELAIN-AURORA
- (43M) TOILET PORCELAIN-ELONGATE

WINNEBAGO		COPYRIGHT 2005 WINNEBAGO INDUSTRIES, INC.	
DFTR	ORIG. DATE	ALL DIMENSIONS ARE IN MILLIMETERS	
CHKR			
P.E.			
M.E.	FIRST USED		
DSNR	05 G38J		
UNSPECIFIED TOLERANCES ARE:		MATERIAL:	
WHOLE DIM (X)	: 5		
ONE-PLACE (X.X)	:		
TWO-PLACE (X.XX)	:		
ANGLE	:		
THIRD ANGLE PROJECTION			
DO NOT SCALE DRAWING			
TITLE: DRAINAGE SYSTEM INSTL			
SHEET 1 OF 3	PART NO	148146	

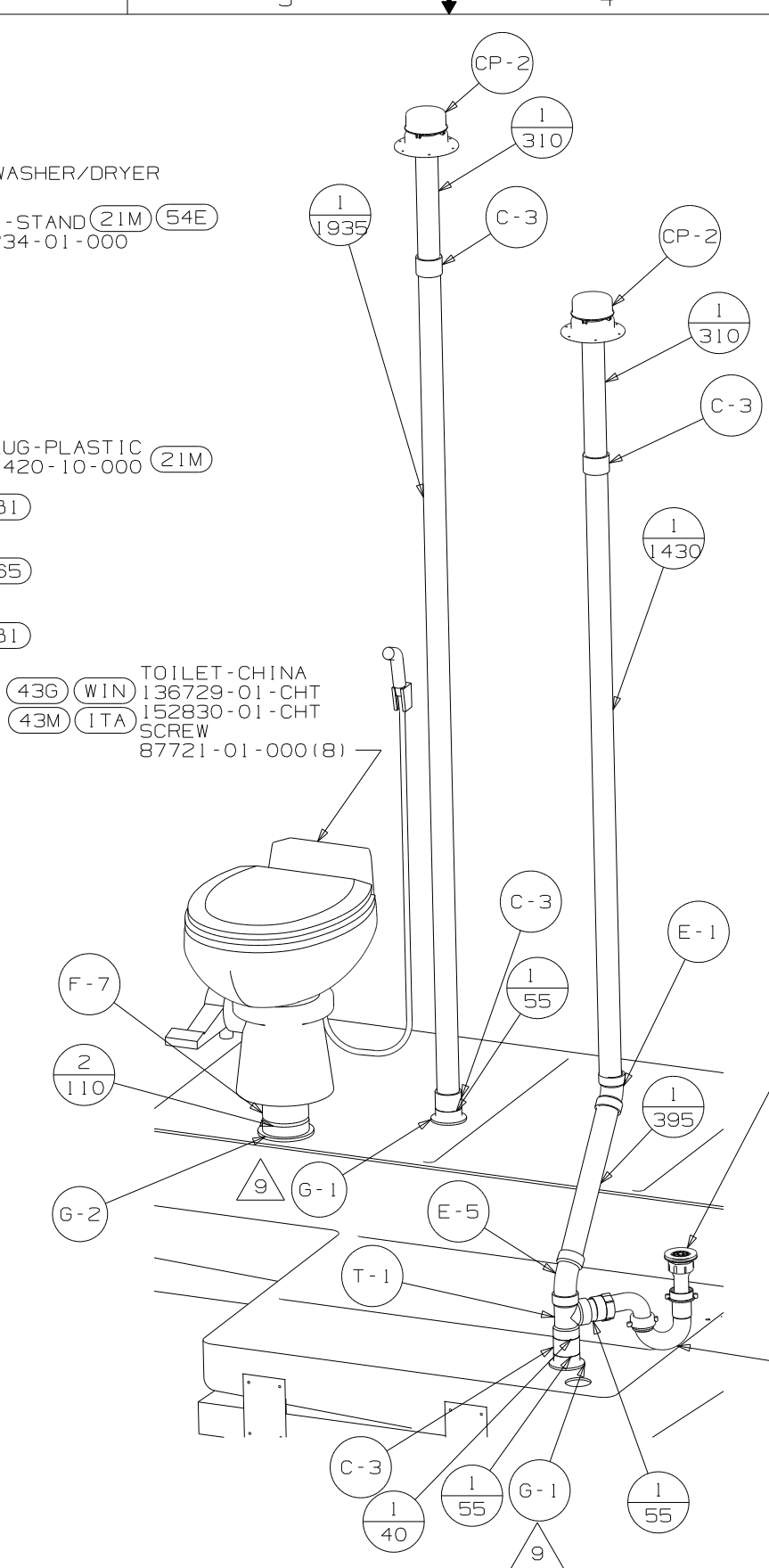
(X-X)
FOR
DRAINAGE
CALLOUTS
SEE DWG NO
116229-01-000



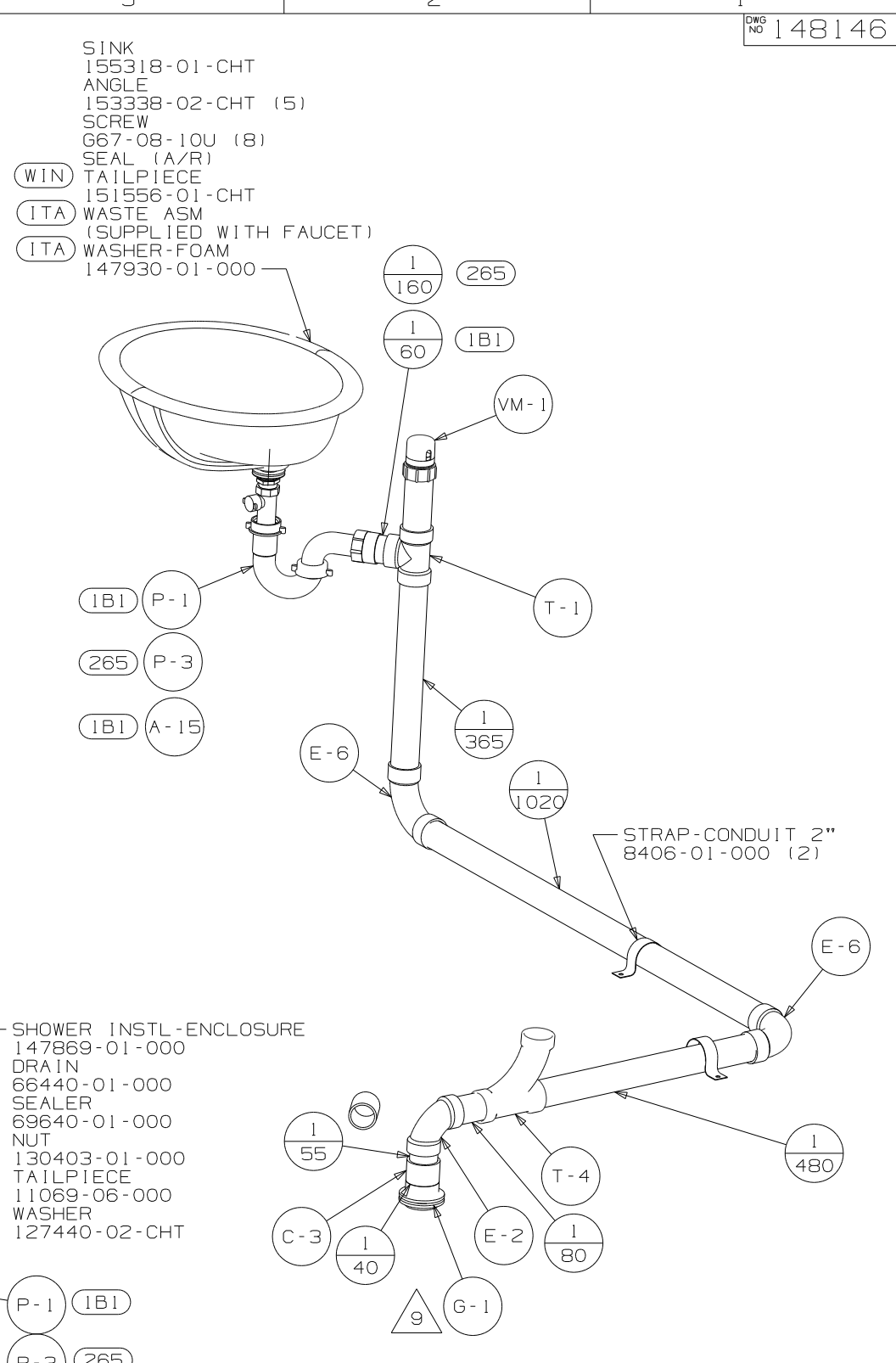
VIEW F



VIEW A



VIEW B



VIEW C

- SINK 155318-01-CHT
- ANGLE 153338-02-CHT (5)
- SCREW G67-08-10U (8)
- SEAL (A/R)
- (WIN) TAILPIECE 151556-01-CHT
- (ITA) WASTE ASM (SUPPLIED WITH FAUCET)
- (ITA) WASHER-FOAM 147930-01-000

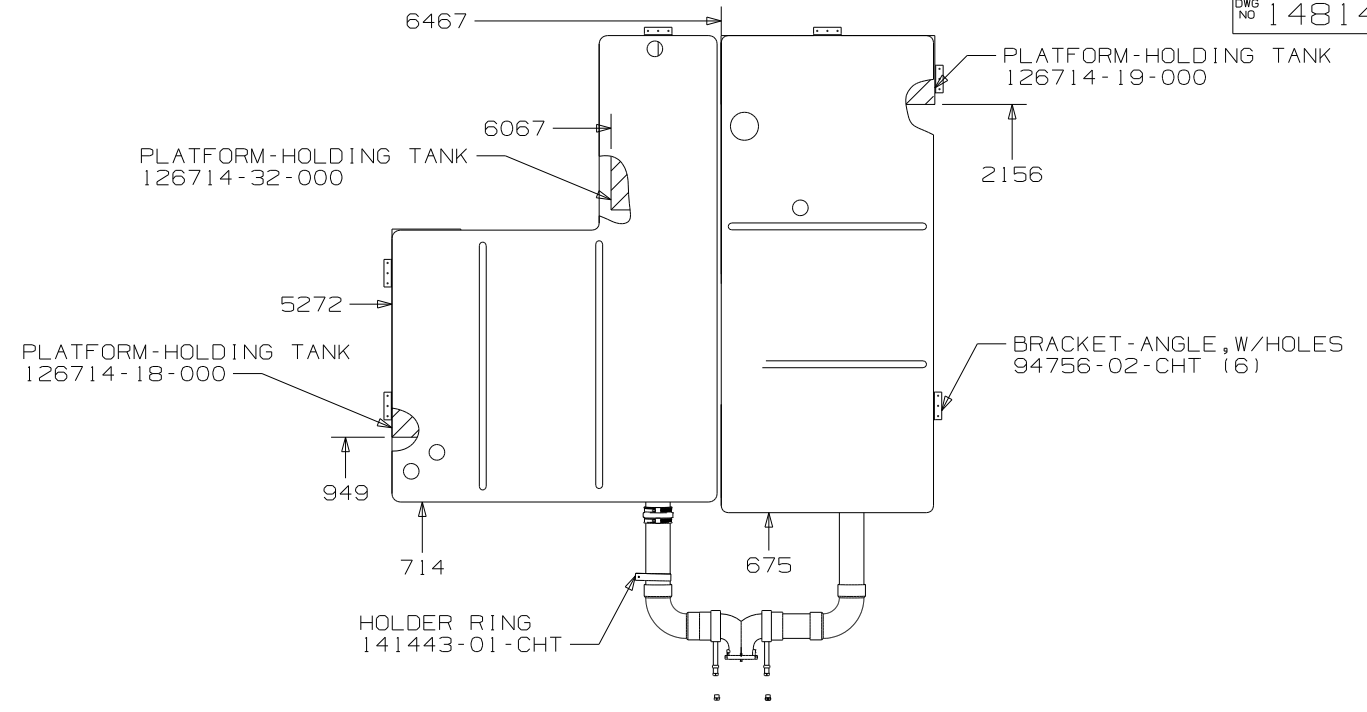
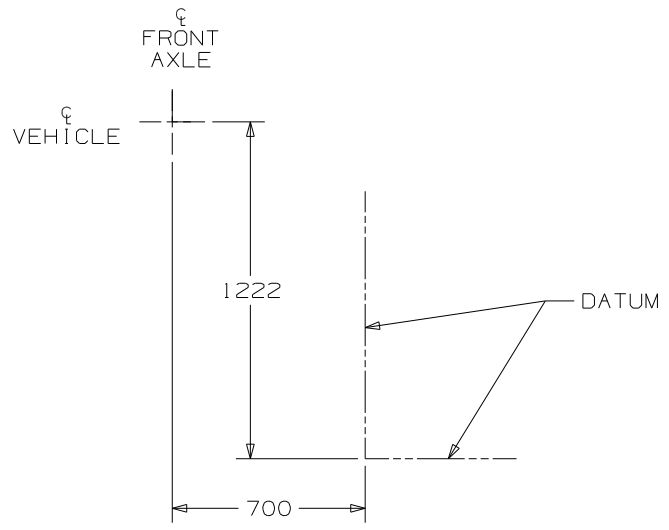
- SHOWER INSTL-ENCLOSURE 147869-01-000
- DRAIN 66440-01-000
- SEALER 69640-01-000
- NUT 130403-01-000
- TAILPIECE 11069-06-000
- WASHER 127440-02-CHT

- CLAMP 62401-05-000 (2)
- BRACKET 95061-01-000 (2)
- SCREW G67-10-10B (2)

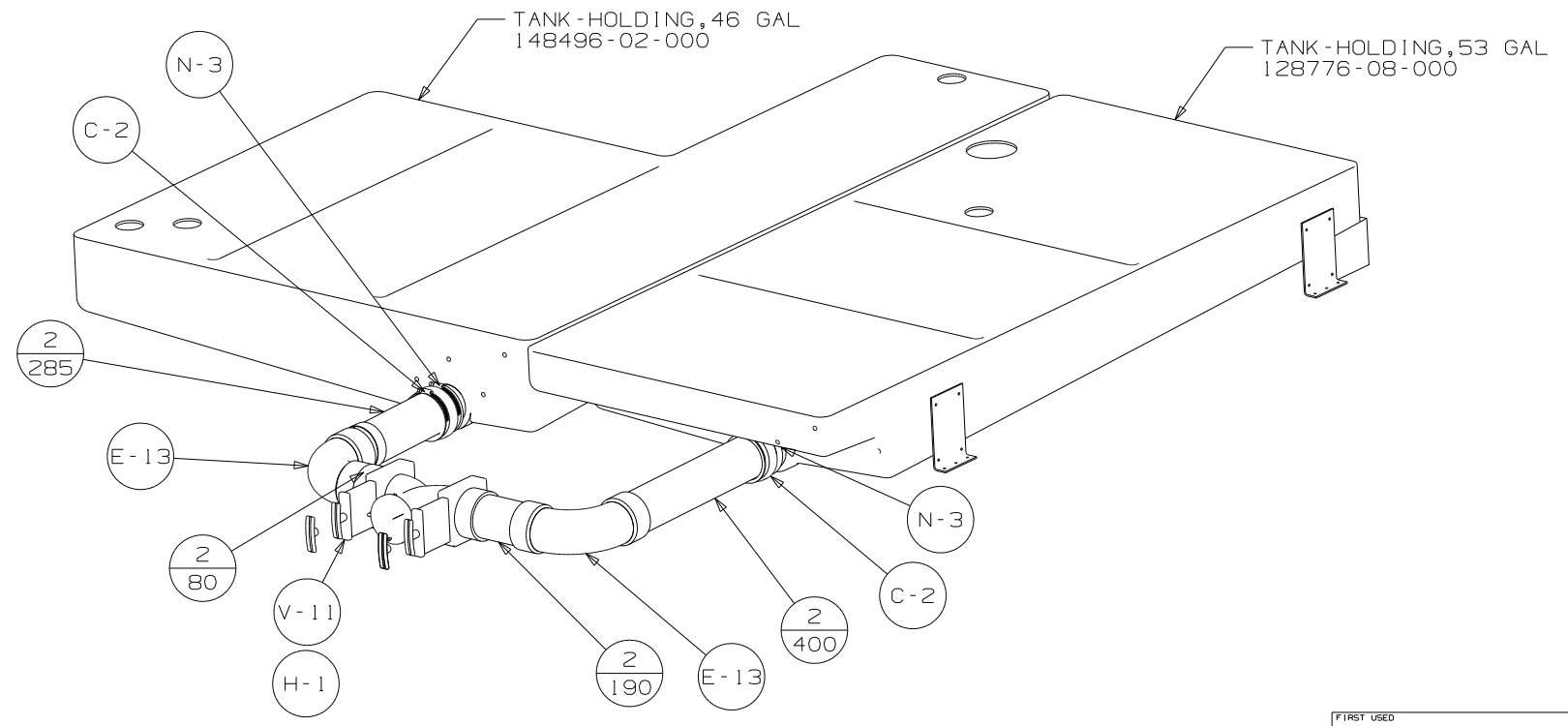
- SINK-SMC, DOUBLE 148870-02-CHT (US/CAN)
- STRAINER 92303-01-000 (2)
- ANGLE 140002-01-CHT (10)
- SCREW G67-10-08B (8)
- WASHER-RUBBER 127440-02-CHT (2)
- SEAL (A/R)

- (43G) (WIN) 136729-01-CHT
- (43M) (ITA) 152830-01-CHT
- SCREW 87721-01-000 (8)

FIRST USED	05 G38J
TITLE	DO NOT SCALE DRAWING
	DRAINAGE SYSTEM INSTL
SHEET 2	PART NO 148146



VIEW D

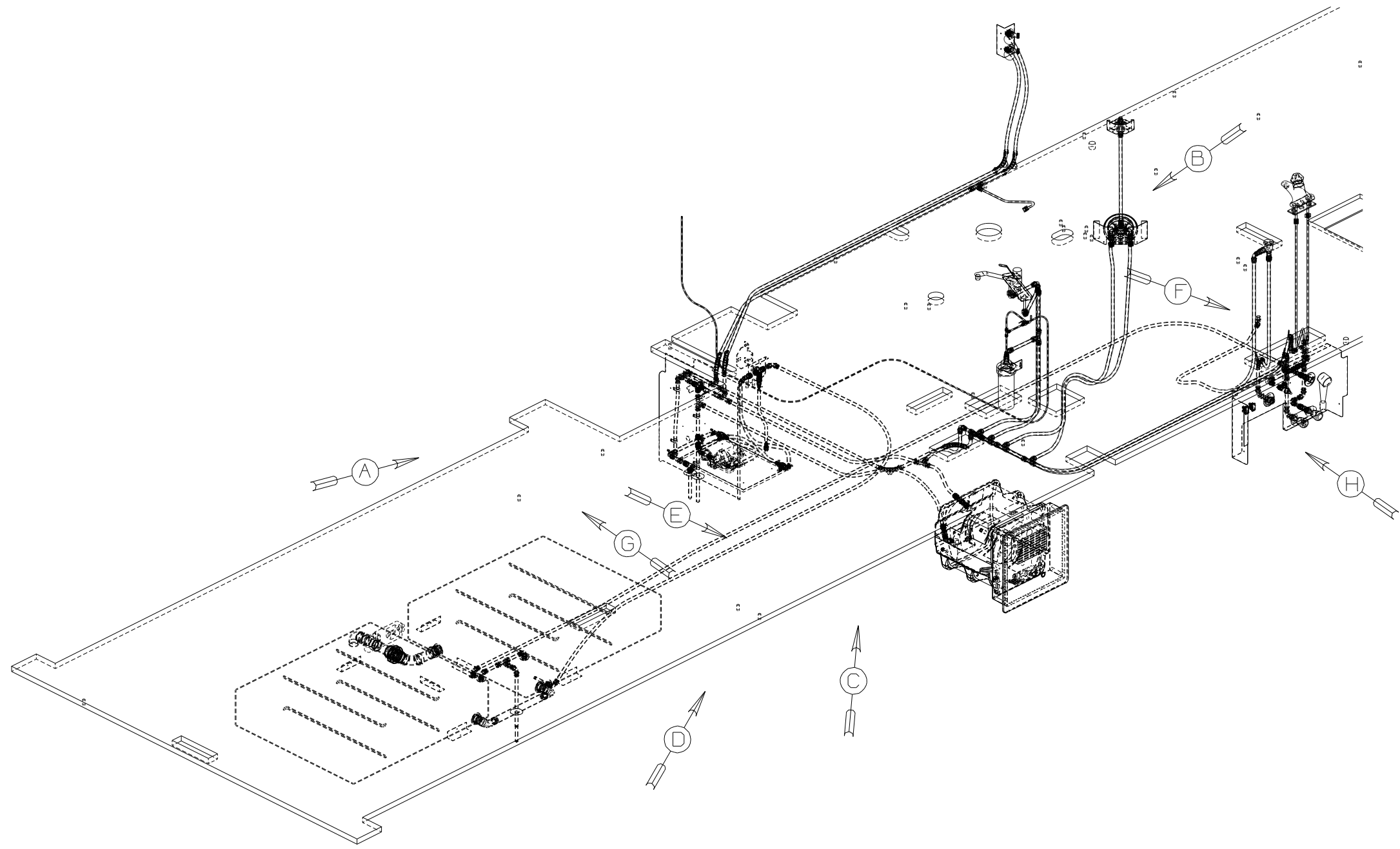


- VALVE 144728-01-000
- CLAMP-HOSE 62401-09-000
- VALVE-DRIP VALVE 147845-01-CHT

FIRST USED	05 G38J
DO NOT SCALE DRAWING	
TITLE	DRAINAGE SYSTEM INSTL
SHEET 3	PART NO 148146

DWG NO	--
148147-01	(WIN)
148147-02	(ITA)

RELEASE	REV DATE	DWG NO
A		148147
REV ZONE	REVISION RECORD	DATE
		DFTR-0016

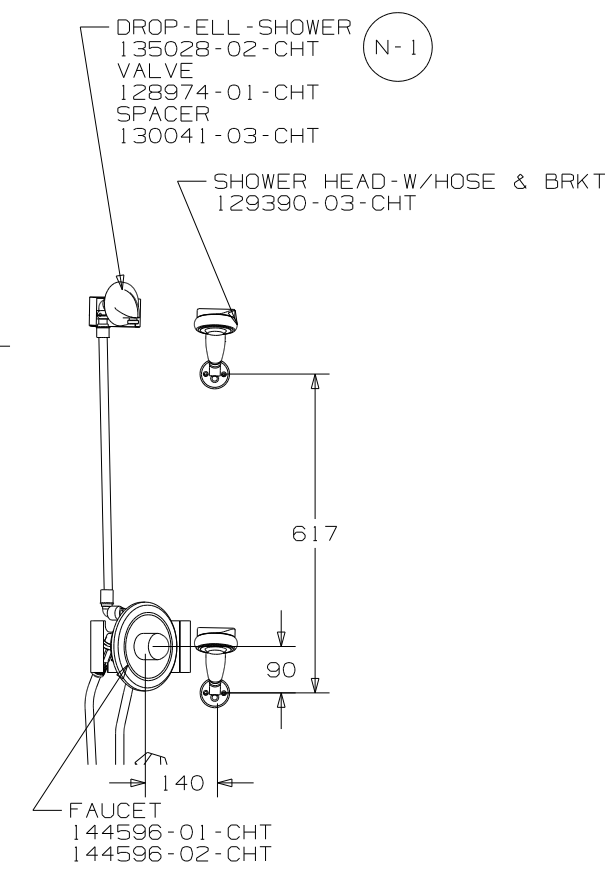
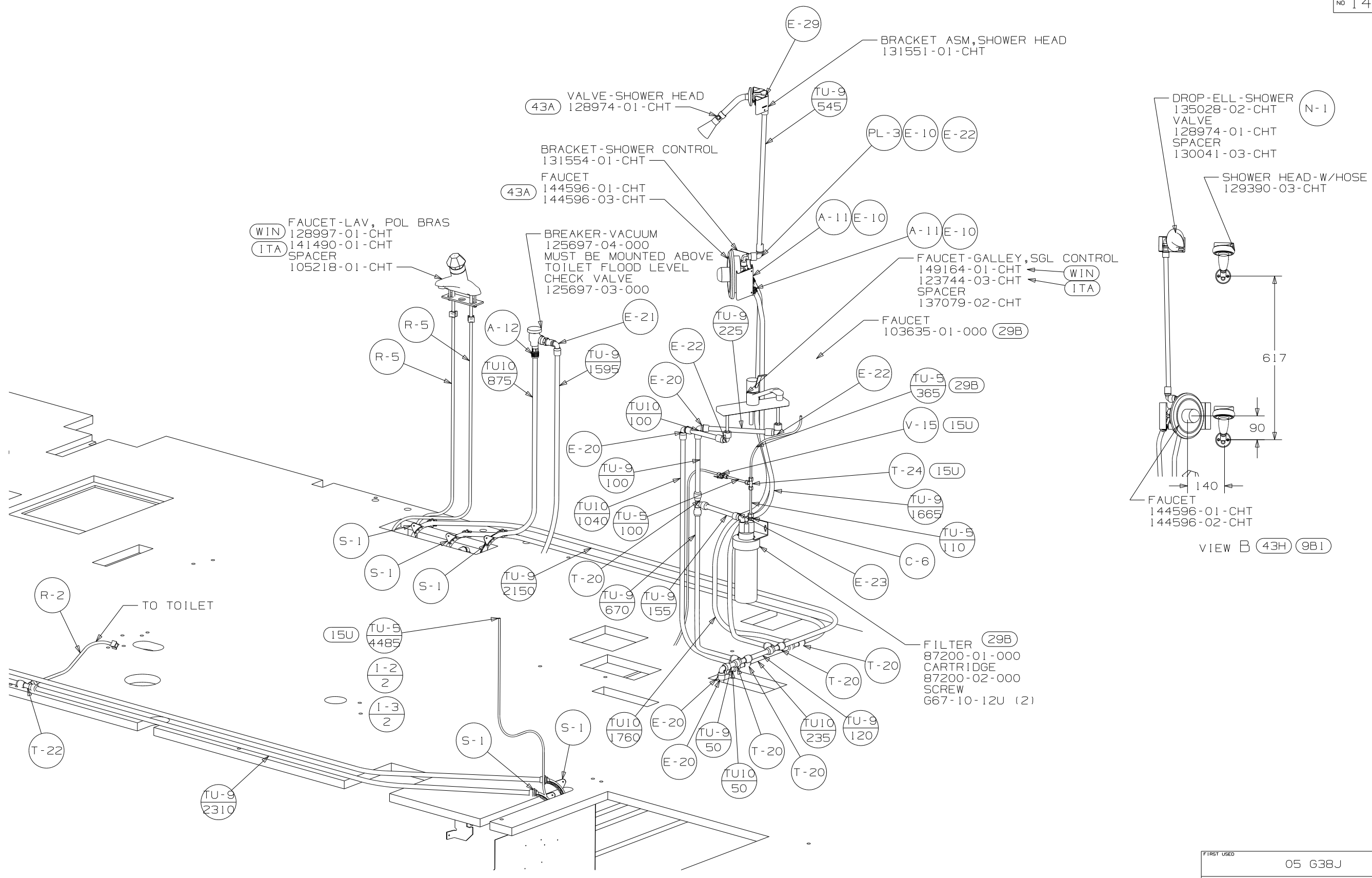


- (29B) WATER PURIFIER
- (WIN) WINNEBAGO ONLY
- (ITA) ITASCA ONLY
- (43H) SHOWER HEAD-HAND HELD
- (43A) SHOWER HEAD-FIXED
- (54E) WASHER/DRYER
- (54M) WASHER/DRYER PREP
- (15U) REFRIGERATOR/FRZR W/ICEMAKER

- NOTES:
- 6 ADD TEFLON TAPE 10405-01-000.
 - 5 ADD TEFLON TAPE 10405-02-000.
 - 4 FLUSHING SYSTEM REQUIRES 125697-06-000 INSTRUCTION SHEET.
3. ALL TUBING TO BE SECURED AT 1200 INTERVALS MAXIMUM WITH CLAMP 10495-01-000 OR CLIP 9151-01-000 AND SCREW 667-10-12B.
 2. TUBING TO BE INSTALLED WITH SUFFICIENT SLOPE TO PROVIDE DRAINAGE TO NEAREST VALVE.
 1. PLASTIC FITTINGS TO BE SEALED WITH SEALANT 84456-01-000.

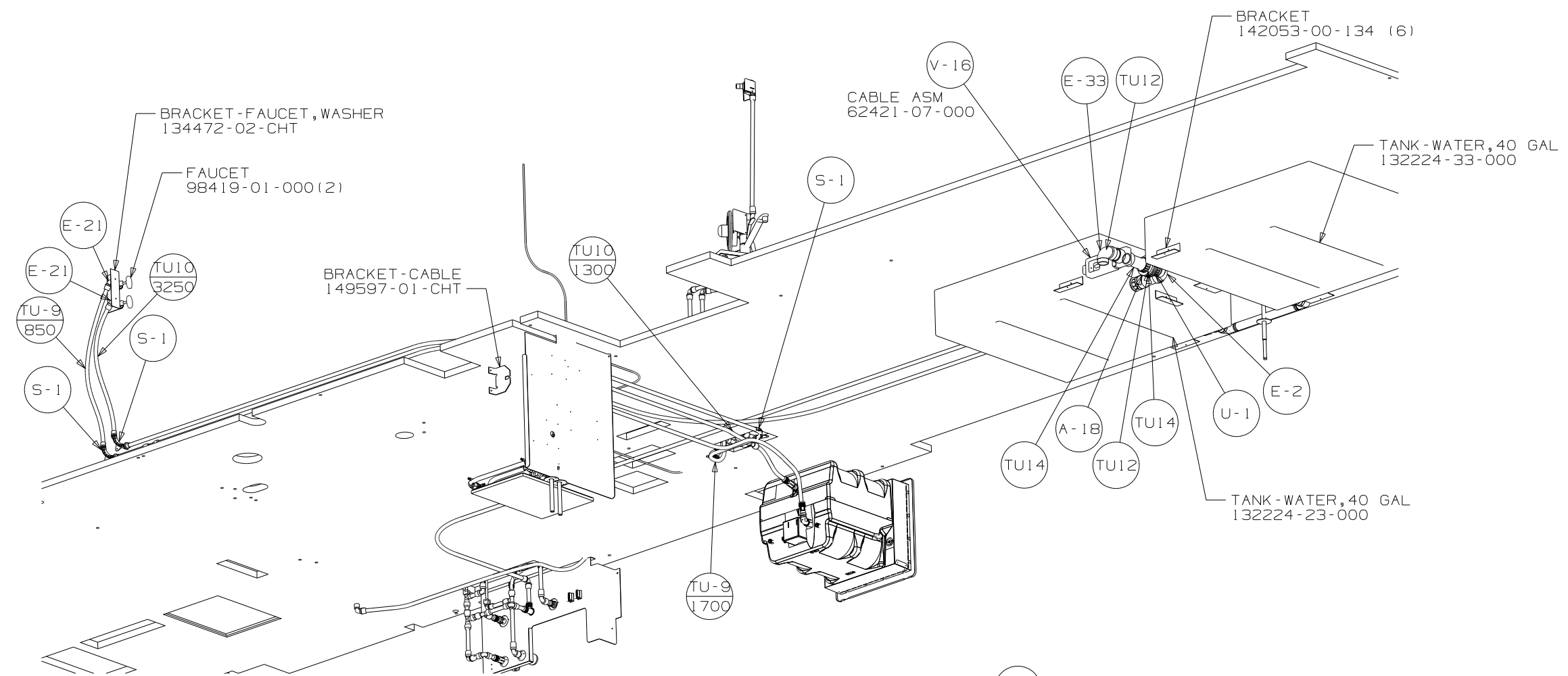
(X-X)
FOR
WATER
CALLOUTS
SEE DWG NO
116230-01-000

WINNEBAGO		COPYRIGHT 2004 WINNEBAGO INDUSTRIES, INC.	
DFTR	ORIG. DATE	ALL DIMENSIONS ARE IN MILLIMETERS	
CHKR		FIRST USED	
P.E.		05 G38J	
M.E.		UNSPECIFIED TOLERANCES ARE:	
DSNR		MATERIAL:	
		WHOLE DIM (X)	: 3
		ONE-PLACE (X.X)	:
		TWO-PLACE (X.XX)	:
		ANGLE	:
THIRD ANGLE PROJECTION		DO NOT SCALE DRAWING	
TITLE: WATER SYSTEM INSTL			
SHEET 1 OF 4		PART NO 148147	

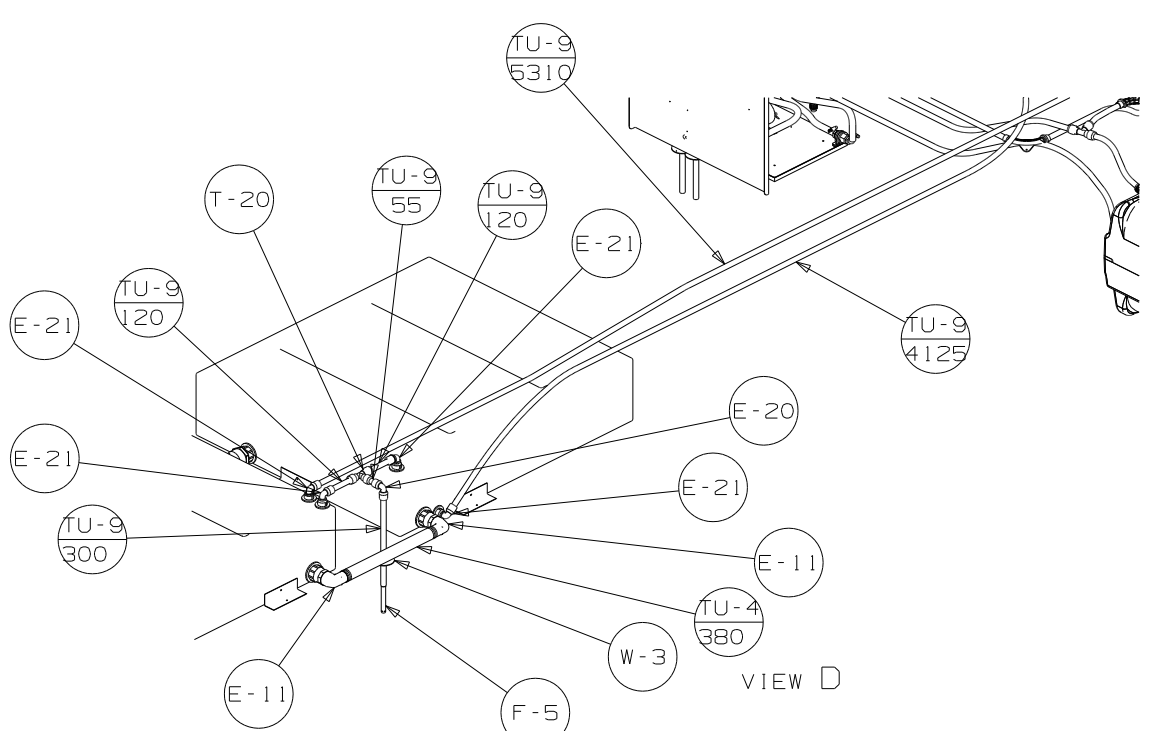


VIEW A

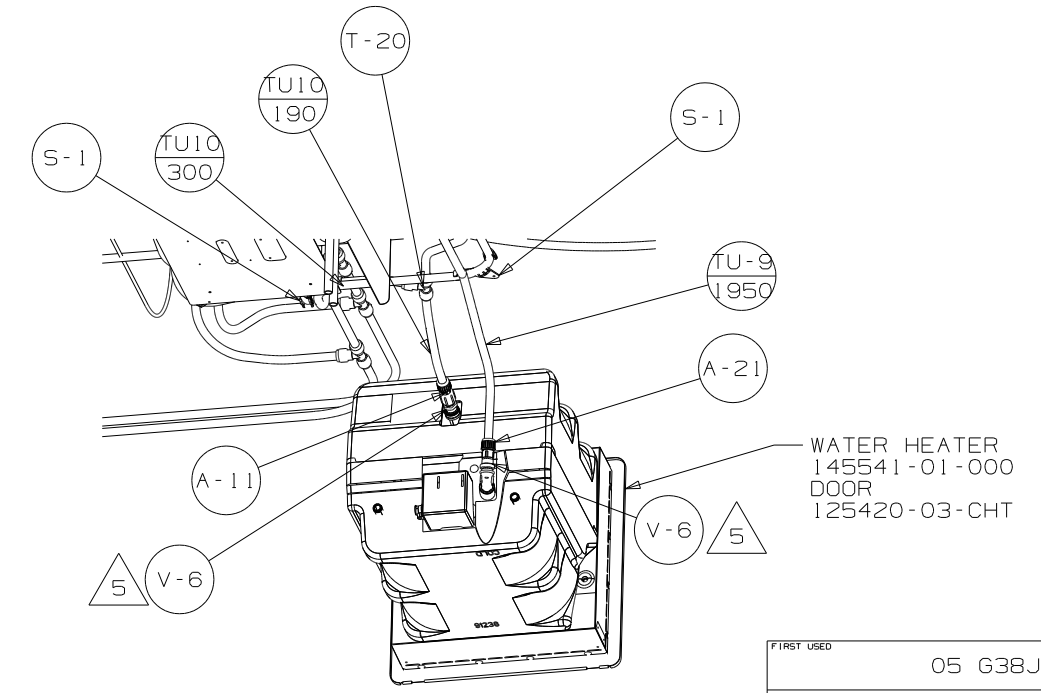
FIRST USED	05 G38J
TITLE	DO NOT SCALE DRAWING
TITLE	WATER SYSTEM INSTL
SHEET 2	PART NO 148147



VIEW C

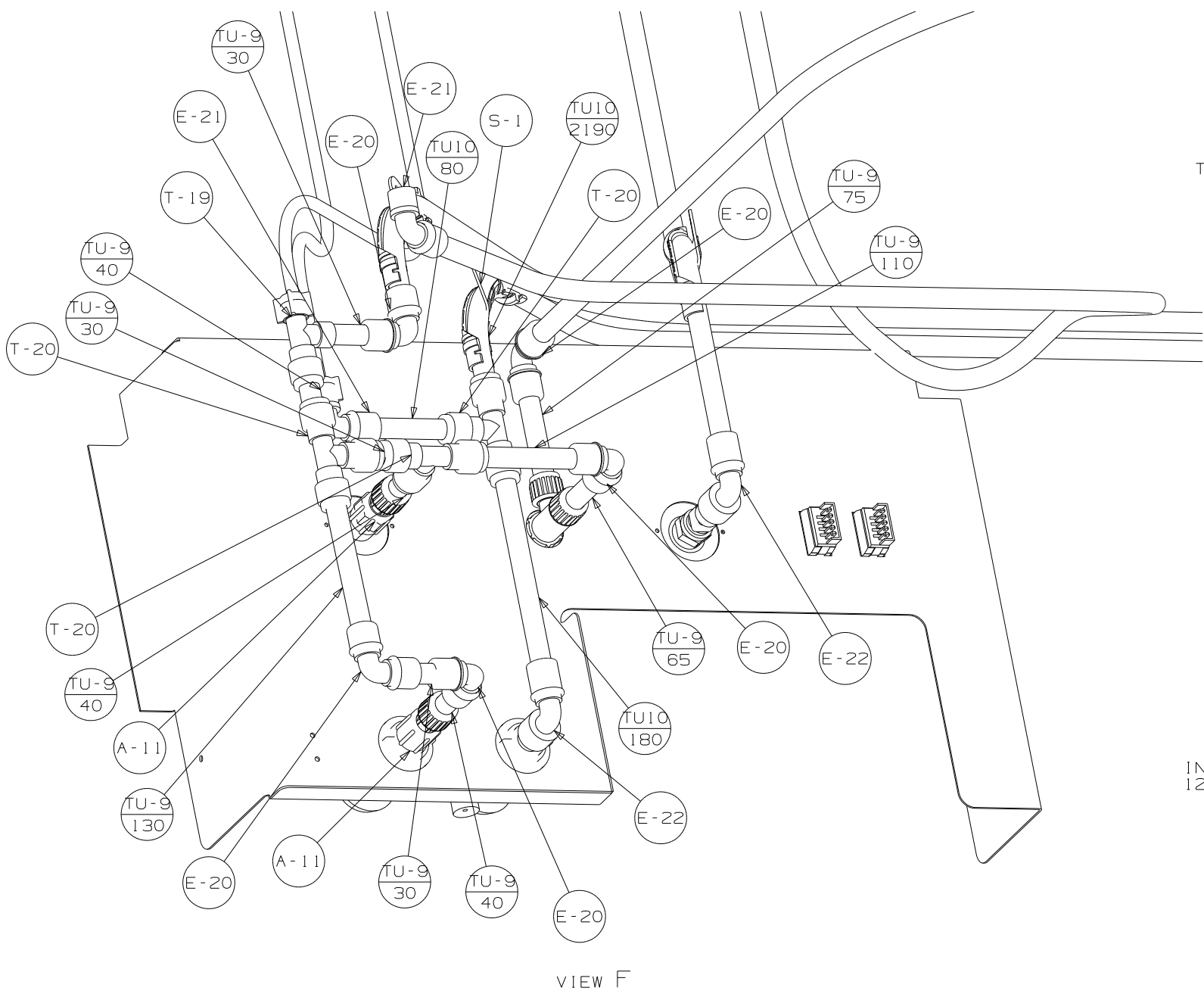


VIEW D

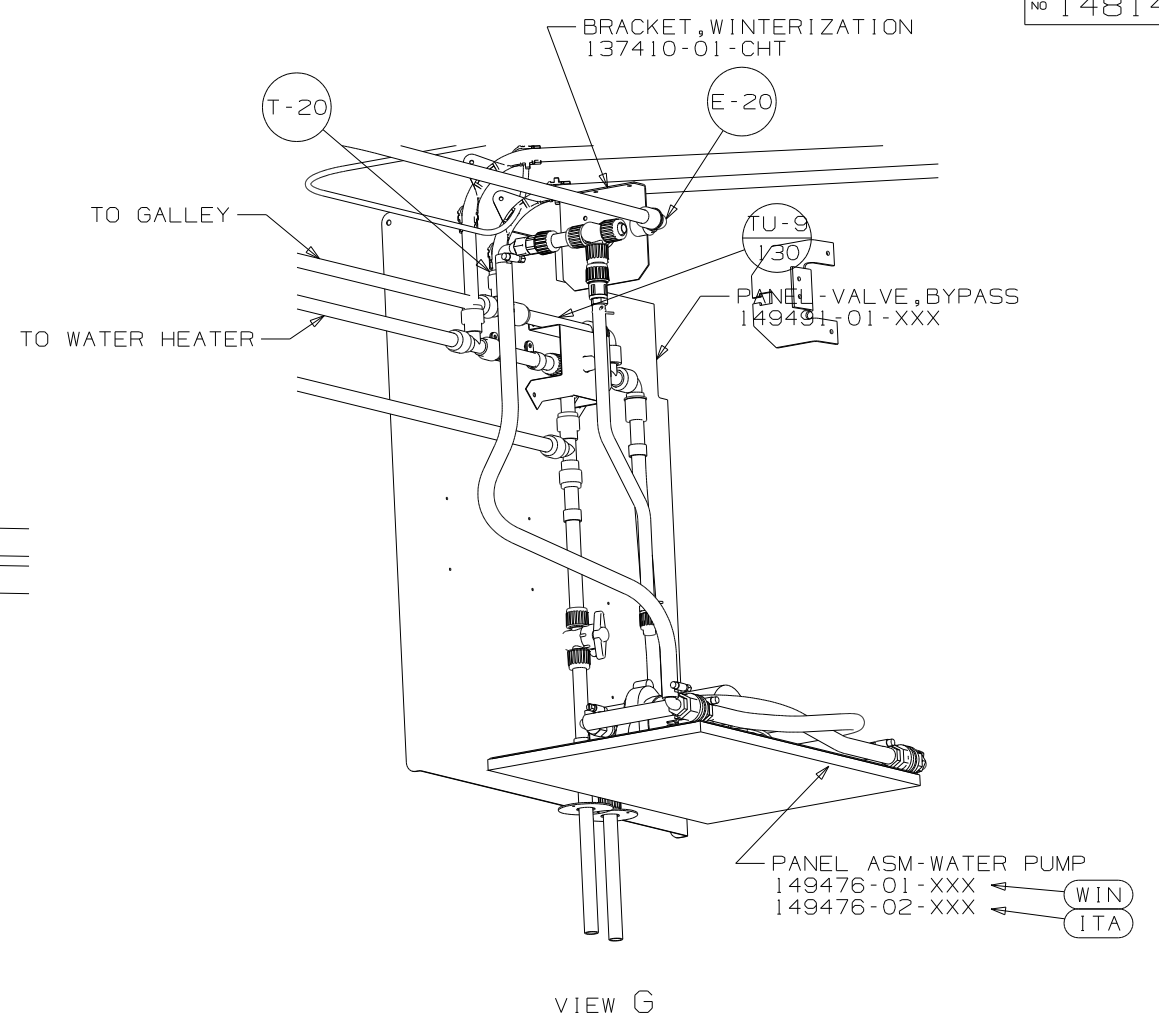


VIEW E

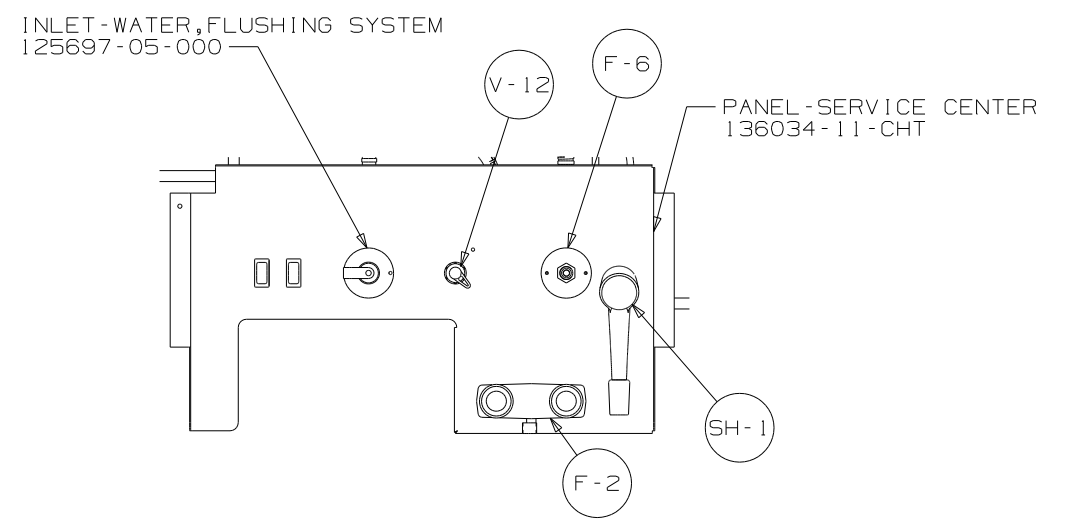
FIRST USED	05 G38J
TITLE	DO NOT SCALE DRAWING
SHEET 3	PART NO 148147
1 1/10/2005	



VIEW F



VIEW G



VIEW H

FIRST USED	05 G38J
TITLE	DO NOT SCALE DRAWING
TITLE	WATER SYSTEM INSTL
SHEET 4	PART NO 148147