



DANGER

Danger of electrical shock, burns or death. Always remove all power sources before attempting any repair, service or diagnostic work. Power can be present from shore power, generator, inverter or battery. All power sources must be disabled and secured before performing any service.

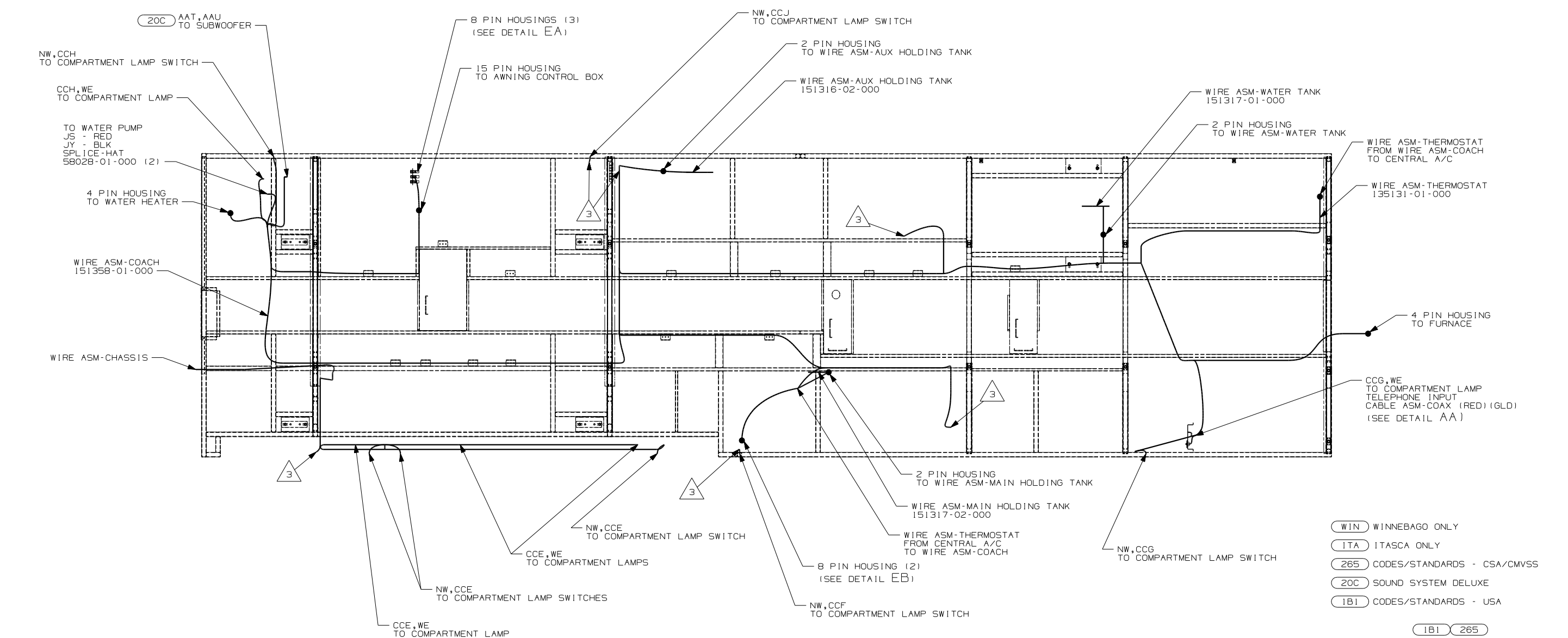


CAUTION

If you lack the skills, tools or equipment to perform diagnostic or repair work leave such work to an authorized Winnebago Industries dealer or other qualified shop.

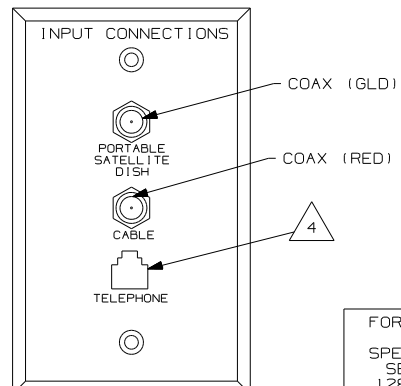
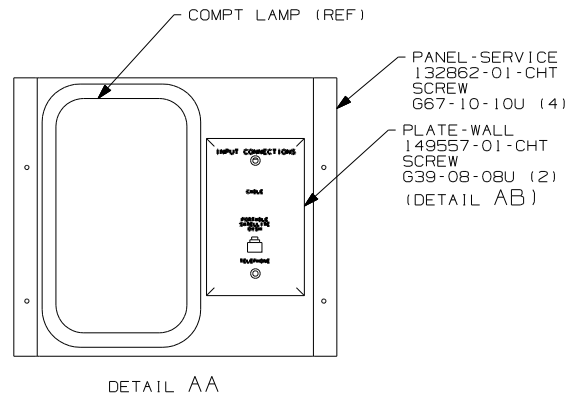
DRAWING NO.	FEATURE
151273-01	(WIN)
151273-02	(ITA)

RELEASE	REV DATE	DWG NO
A		151273
REV ZONE	REVISION RECORD	DATE DFR-ORIG



- (WIN) WINNEBAGO ONLY
- (ITA) ITASCA ONLY
- (265) CODES/STANDARDS - CSA/CMVSS
- (20C) SOUND SYSTEM DELUXE
- (1B1) CODES/STANDARDS - USA

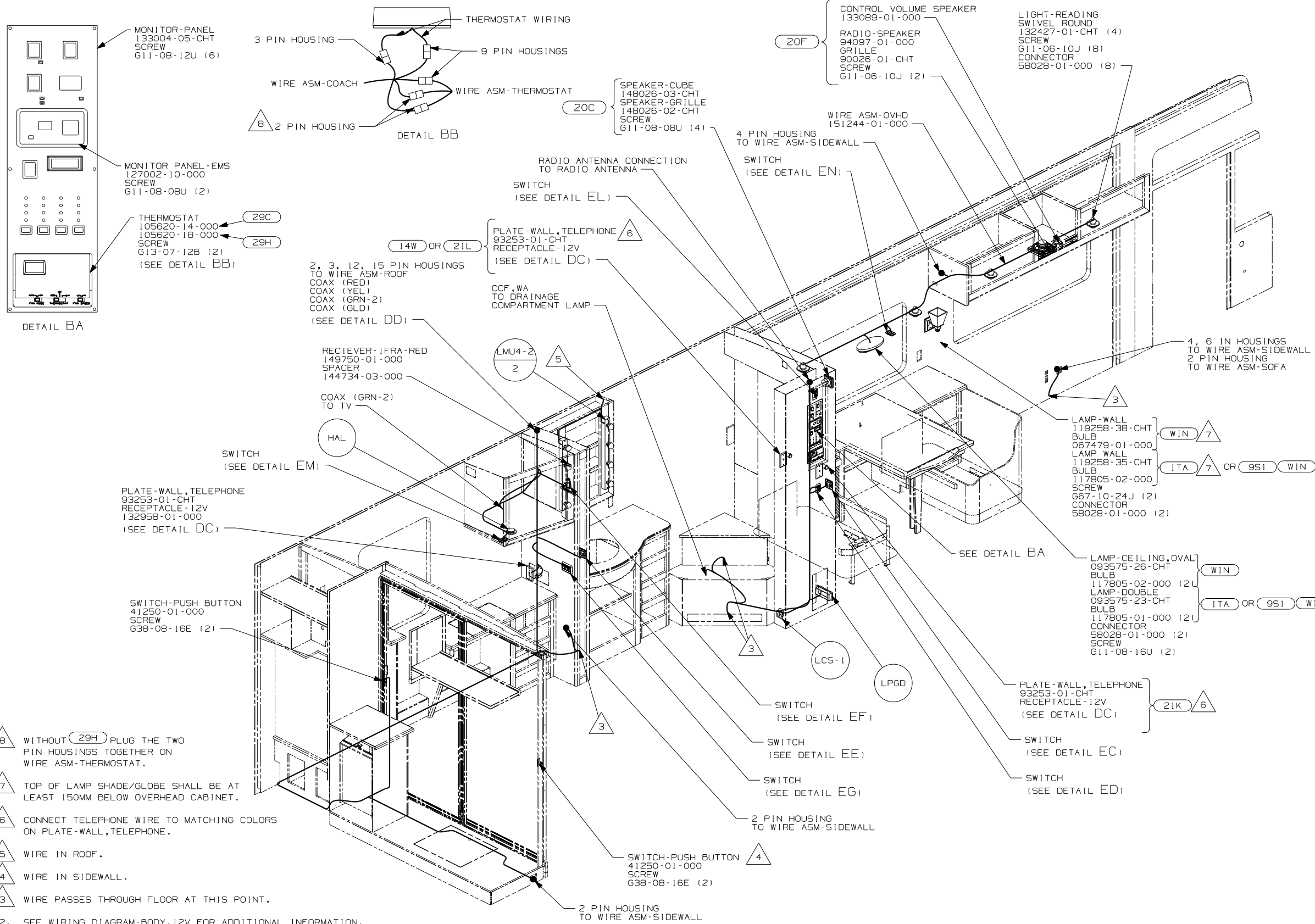
- NOTES:
1. ALL WIRE TO BE CLAMPED WITH CLAMP 10495-01-000 OR WIRE TIE 8343-02-000 EVERY 600MM, UNLESS OTHERWISE SPECIFIED.
 2. SEE WIRING DIAGRAM-BODY,12V FOR ADDITIONAL INFORMATION.
 3. WIRE PASSES THROUGH FLOOR AT THIS POINT.
 4. CONNECT TELEPHONE WIRE TO MATCHING COLORS ON PLATE-WALL, TELEPHONE.
 5. FOR ADDITIONAL INFORMATION SEE CENTRAL A/C INSTALLATION.



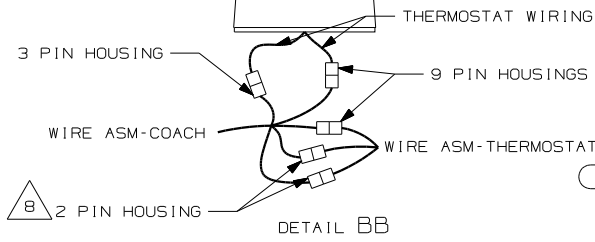
FOR ELECTRICAL TORQUE SPECIFICATIONS SEE DWG NO. 128783-01-000

FOR ELECTRICAL CALLOUTS SEE DWG NO. 121339-01-000

WINNEBAGO		COPYRIGHT 2004 WINNEBAGO INDUSTRIES, INC.	
DFTR	ORIG. DATE	ALL DIMENSIONS ARE IN MILLIMETERS	
CHKR		05 G38G	
P.E.			
M.E.	FIRST USED		
DSNR			
UNSPECIFIED TOLERANCES ARE:		MATERIAL:	
WHOLE DIM (X)	:		
ONE-PLACE (X.X)	:		
TWO-PLACE (X.XX)	:		
ANGLE	:		
THIRD ANGLE PROJECTION			
DO NOT SCALE DRAWING			
TITLE: WIRING INSTL-BODY, 12V			
SHEET 1 OF 7	PART NO	151273	



- MONITOR-PANEL
133004-05-CHT
SCREW
G11-08-12U (6)
- MONITOR PANEL-EMS
127002-10-000
SCREW
G11-08-08U (2)
- THERMOSTAT
105620-14-000
105620-18-000
SCREW
G13-07-12B (2)
(SEE DETAIL BB)



- SPEAKER-CUBE
148026-03-CHT
SPEAKER-GRILLE
148026-02-CHT
SCREW
G11-08-08U (4)

- CONTROL VOLUME SPEAKER
133089-01-000
- RADIO-SPEAKER
94097-01-000
GRILLE
90026-01-CHT
SCREW
G11-06-10J (2)
- LIGHT-READING SWIVEL ROUND
132427-01-CHT (4)
SCREW
G11-06-10J (8)
CONNECTOR
58028-01-000 (8)

- 29C
- 29H

- 14W OR 21L

- 6

- 2, 3, 12, 15 PIN HOUSINGS TO WIRE ASM-ROOF
COAX (RED)
COAX (YEL)
COAX (GRN-2)
COAX (GLD)
(SEE DETAIL DD)

- LMU4-2
2

- 5

- RECIEVER-1FRA-RED
149750-01-000
SPACER
144734-03-000
- COAX (GRN-2) TO TV
- HAL

- SWITCH (SEE DETAIL EM)

- PLATE-WALL, TELEPHONE
93253-01-CHT
RECEPTACLE-12V
132958-01-000
(SEE DETAIL DC)

- SWITCH-PUSH BUTTON
41250-01-000
SCREW
G38-08-16E (2)

- LAMP-WALL
119258-38-CHT
BULB
067479-01-000
LAMP WALL
119258-35-CHT
BULB
117805-02-000
SCREW
G67-10-24J (2)
CONNECTOR
58028-01-000 (2)

- LAMP-CEILING, OVAL
093575-26-CHT
BULB
117805-02-000 (2)
LAMP-DOUBLE
093575-23-CHT
BULB
117805-01-000 (2)
CONNECTOR
58028-01-000 (2)
SCREW
G11-08-16U (2)

- PLATE-WALL, TELEPHONE
93253-01-CHT
RECEPTACLE-12V
(SEE DETAIL DC)

- SWITCH (SEE DETAIL EC)
- SWITCH (SEE DETAIL ED)

- SWITCH (SEE DETAIL EF)
- SWITCH (SEE DETAIL EE)
- SWITCH (SEE DETAIL EG)

- SWITCH-PUSH BUTTON
41250-01-000
SCREW
G38-08-16E (2)

- 2 PIN HOUSING TO WIRE ASM-SIDEWALL

- 8 WITHOUT 29H PLUG THE TWO PIN HOUSINGS TOGETHER ON WIRE ASM-THERMOSTAT.
- 7 TOP OF LAMP SHADE/GLOBE SHALL BE AT LEAST 150MM BELOW OVERHEAD CABINET.
- 6 CONNECT TELEPHONE WIRE TO MATCHING COLORS ON PLATE-WALL, TELEPHONE.
- 5 WIRE IN ROOF.
- 4 WIRE IN SIDEWALL.
- 3 WIRE PASSES THROUGH FLOOR AT THIS POINT.

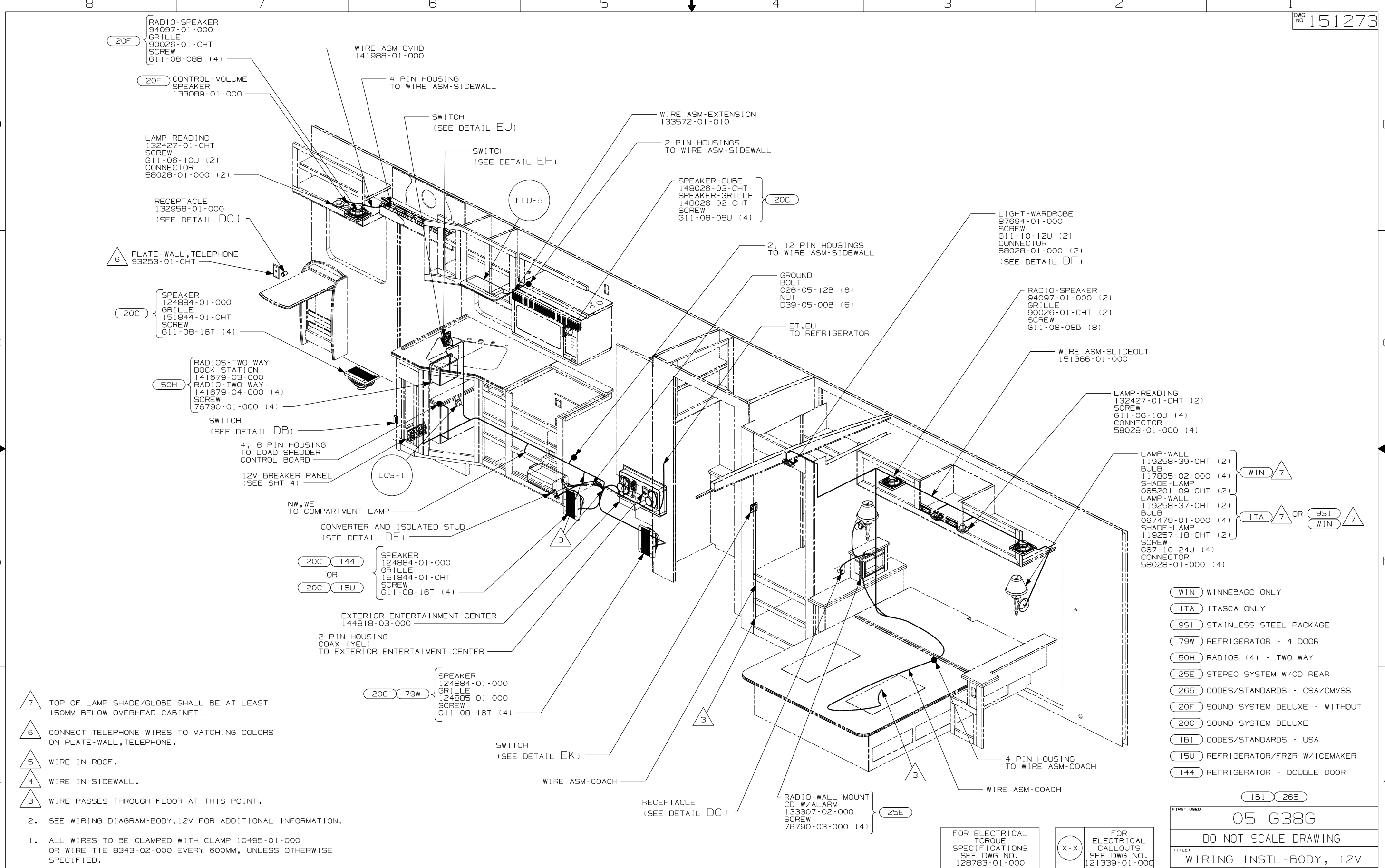
- 2. SEE WIRING DIAGRAM-BODY, 12V FOR ADDITIONAL INFORMATION.
- 1. ALL WIRES TO BE CLAMPED WITH CLAMP 10495-01-000 OR WIRE TIE 8343-02-000 EVERY 600MM, UNLESS OTHERWISE SPECIFIED.

- WIN WINNEBAGO ONLY
- ITA ITASCA ONLY
- 9S1 STAINLESS STEEL PACKAGE
- 29H HEAT PUMP - CENTRAL A/C
- 29C CENTRAL A/C
- 265 CODES/STANDARDS - CSA/CMVSS
- 21L DINING TABLE & CHAIRS
- 21K DINING/COMPUTER TABEL & CHAIRS
- 20F SOUND SYSTEM DELUXE - WITHOUT
- 20C SOUND SYSTEM DELUXE
- 1B1 CODES/STANDARDS - USA
- 14W DINETTE

FOR ELECTRICAL TORQUE SPECIFICATIONS SEE DWG NO. 128783-01-000

FOR ELECTRICAL CALLOUTS SEE DWG NO. 121339-01-000

FIRST USED	05 G38G
TITLE	DO NOT SCALE DRAWING
	WIRING INSTL-BODY, 12V
SHEET 2	PART NO 151273



- 7 TOP OF LAMP SHADE/GLOBE SHALL BE AT LEAST 150MM BELOW OVERHEAD CABINET.
 - 6 CONNECT TELEPHONE WIRES TO MATCHING COLORS ON PLATE-WALL, TELEPHONE.
 - 5 WIRE IN ROOF.
 - 4 WIRE IN SIDEWALL.
 - 3 WIRE PASSES THROUGH FLOOR AT THIS POINT.
2. SEE WIRING DIAGRAM-BODY, 12V FOR ADDITIONAL INFORMATION.
1. ALL WIRES TO BE CLAMPED WITH CLAMP 10495-01-000 OR WIRE TIE 8343-02-000 EVERY 600MM, UNLESS OTHERWISE SPECIFIED.

NOTES:

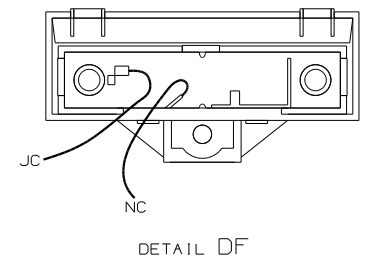
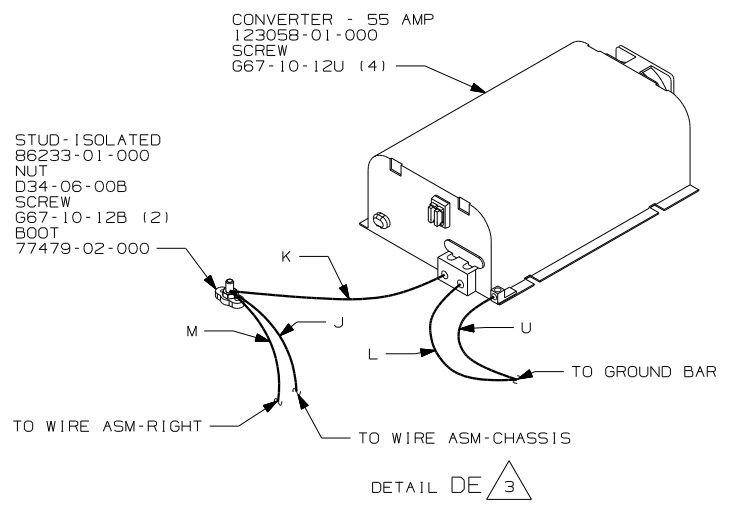
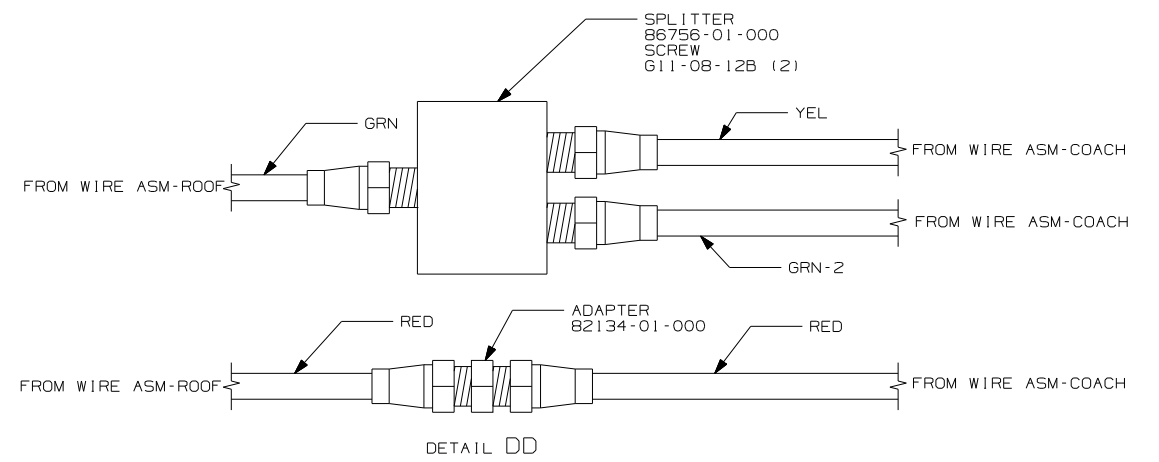
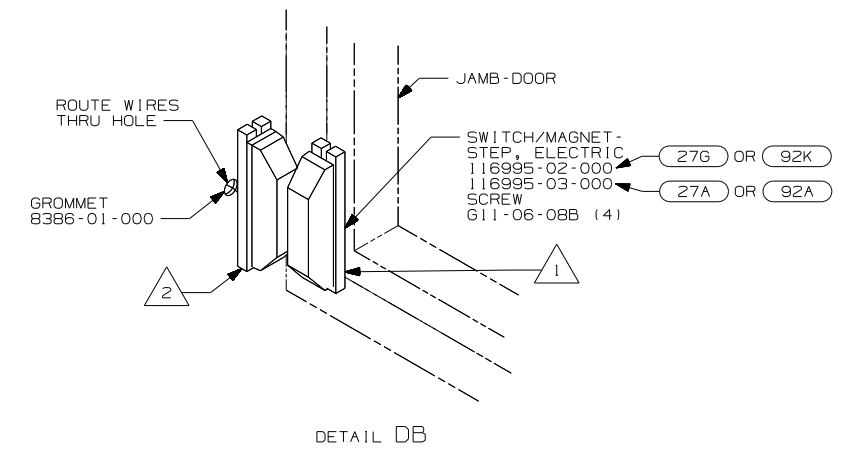
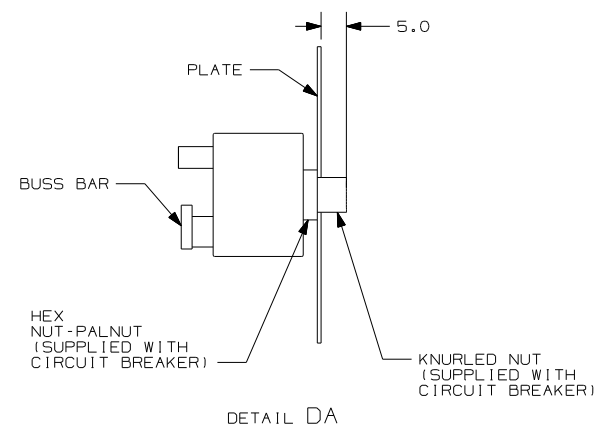
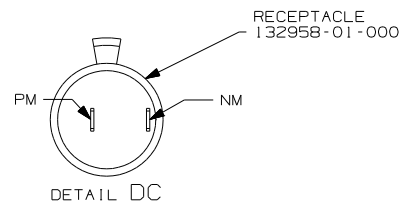
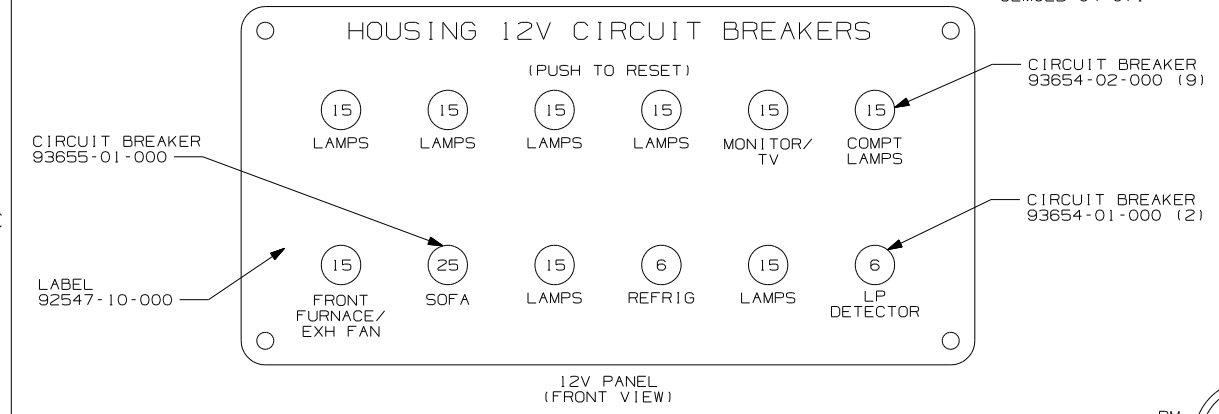
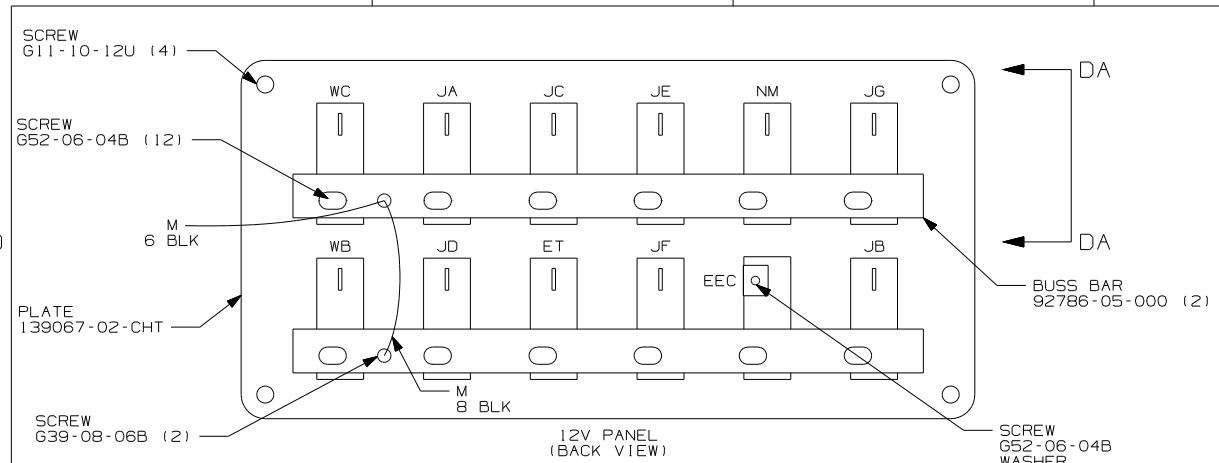
- LAMP-WALL 119258-39-CHT (2)
- BULB 117805-02-000 (4)
- SHADE-LAMP 065201-09-CHT (2)
- LAMP-WALL 119258-37-CHT (2)
- BULB 067479-01-000 (4)
- SHADE-LAMP 119257-18-CHT (2)
- SCREW 667-10-24J (4)
- CONNECTOR 58028-01-000 (4)

- (WIN) WINNEBAGO ONLY
- (ITA) ITASCA ONLY
- (951) STAINLESS STEEL PACKAGE
- (79W) REFRIGERATOR - 4 DOOR
- (50H) RADIOS (4) - TWO WAY
- (25E) STEREO SYSTEM W/CD REAR
- (265) CODES/STANDARDS - CSA/CMVSS
- (20F) SOUND SYSTEM DELUXE - WITHOUT
- (20C) SOUND SYSTEM DELUXE
- (1B1) CODES/STANDARDS - USA
- (15U) REFRIGERATOR/FRZR W/ICEMAKER
- (144) REFRIGERATOR - DOUBLE DOOR

FOR ELECTRICAL TORQUE SPECIFICATIONS SEE DWG NO. 128783-01-000

(X-X) FOR ELECTRICAL CALLOUTS SEE DWG NO. 121339-01-000

FIRST USED	
05 G38G	
DO NOT SCALE DRAWING	
TITLE: WIRING INSTL-BODY, 12V	
SHEET 3	PART NO 151273



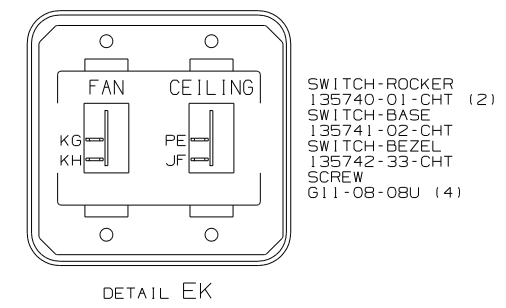
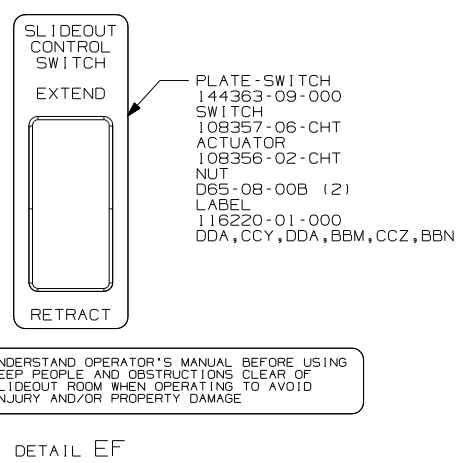
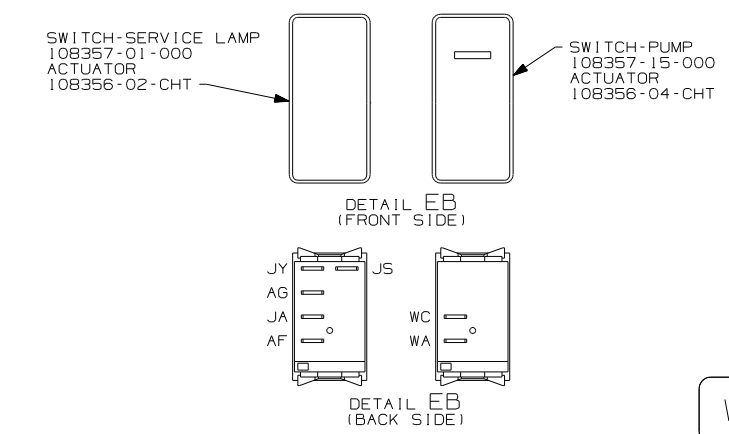
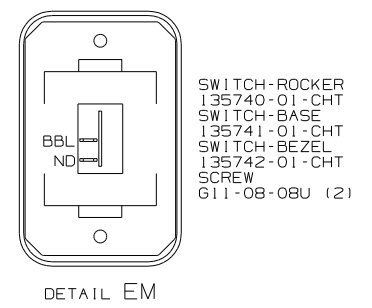
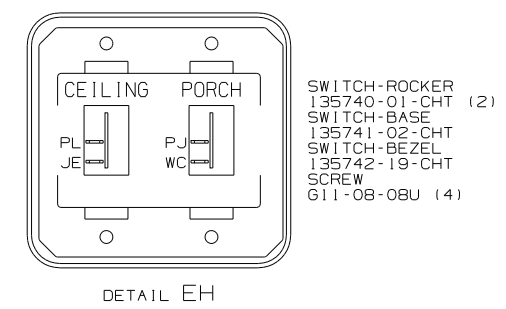
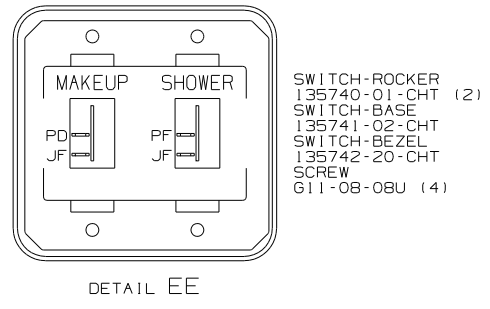
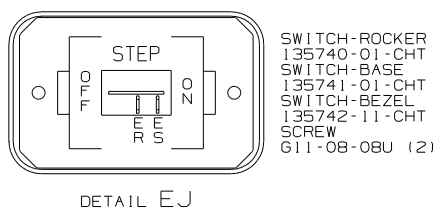
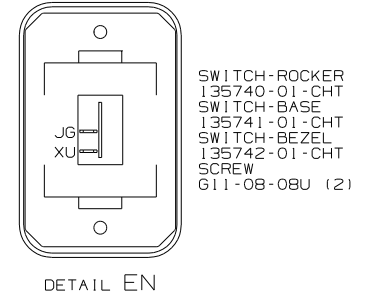
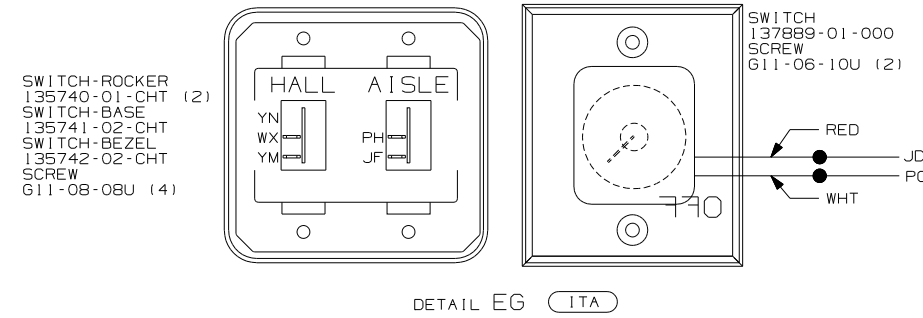
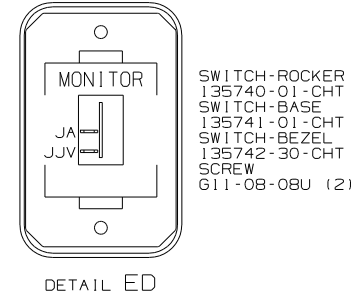
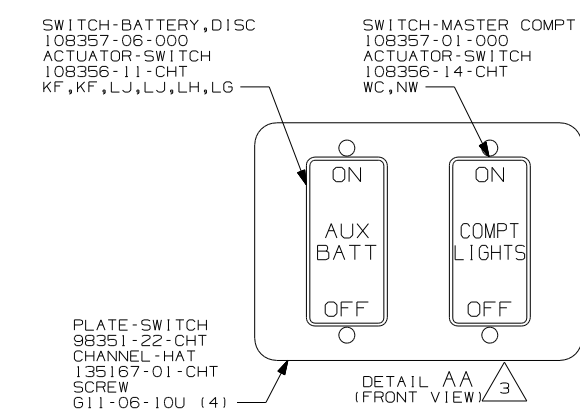
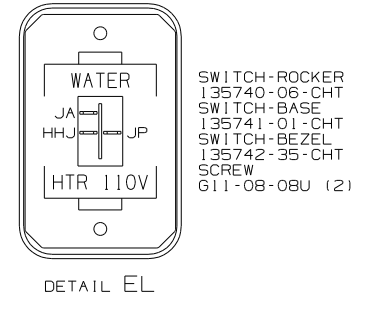
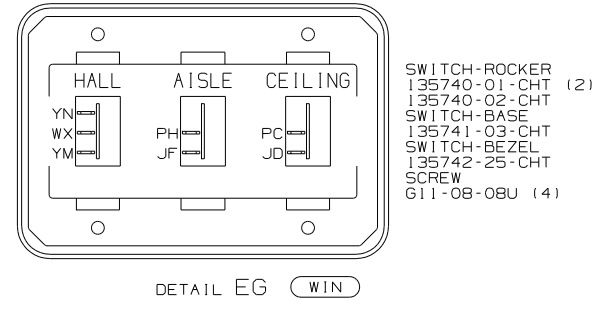
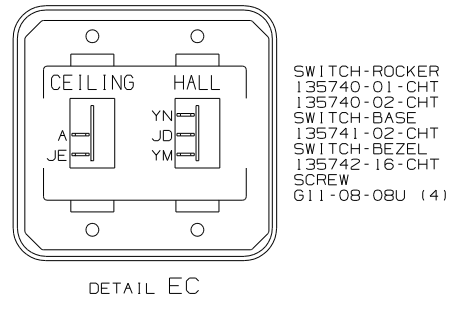
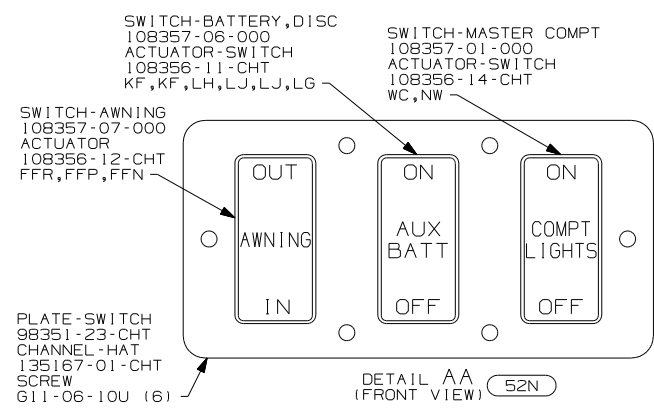
- 92K EXTERIOR GRAPHICS PACKAGE #2
- 92A EXT FULL BODY PAINT PKG # 2
- 27G EXTERIOR GRAPHICS PACKAGE #1
- 27A EXT FULL BODY PAINT PKG #1
- 265 CODES/STANDARDS - CSA/CMVSS
- 1B1 CODES/STANDARDS - USA

- NOTES:
- 3 FOR POSITIONING DIMENSIONS SEE WIRING INSTL-BODY, 110V SHT 4.
 - 2 MOUNT SWITCH AND SPACER TO BLOCK ON JAMB ADJUST HEIGHT TO MATCH MAGNET.
 - 1 MOUNT MAGNET USING PILOT HOLES IN SCREEN DOOR FRAME. MOUNT WITH MAGNET TOWARD SWITCH.

FOR ELECTRICAL TORQUE SPECIFICATIONS SEE DWG NO. 128783-01-000

X-X FOR ELECTRICAL CALLOUTS SEE DWG NO. 121339-01-000

FIRST USED	05 G38G
TITLE	DO NOT SCALE DRAWING
TITLE	WIRING INSTL-BODY, 12V
SHEET 4	PART NO 151273



- (WIN) WINNEBAGO ONLY
- (ITA) ITASCA ONLY
- (52N) AWNING - PATIO, ELECTRIC
- (265) CODES/STANDARDS - CSA/CMVSS
- (IBI) CODES/STANDARDS - USA

WARNING UNDERSTAND OPERATOR'S MANUAL BEFORE USING
KEEP PEOPLE AND OBSTRUCTIONS CLEAR OF
SLIDEOUT ROOM WHEN OPERATING TO AVOID
INJURY AND/OR PROPERTY DAMAGE

3 WITHOUT 52N.

2 TAPE BACK UNUSED TERMINALS TO WIRE ASM-COACH WITH TAPE 8363-01-000.

1. SWITCHES ARE TO BE INSTALLED AS SHOWN ON THIS DRAWING.

NOTES:

FOR ELECTRICAL TORQUE SPECIFICATIONS SEE DWG NO. 128783-01-000

(X-X) FOR ELECTRICAL CALLOUTS SEE DWG NO. 121339-01-000

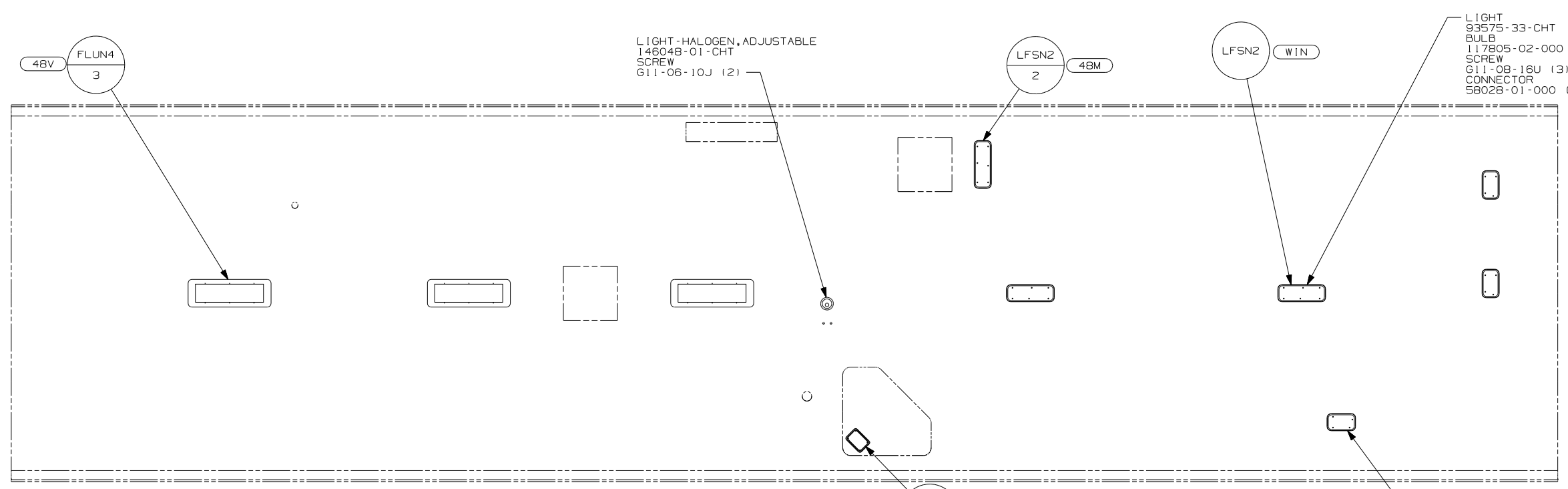
FIRST USED 05 G38G

DO NOT SCALE DRAWING

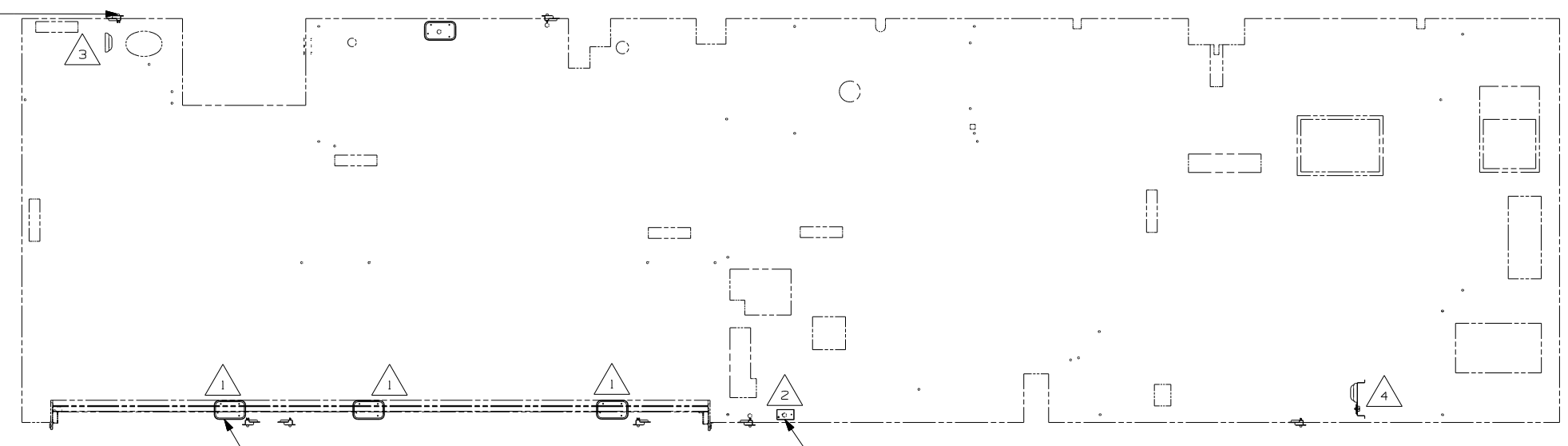
TITLE: WIRING INSTL-BODY, 12V

SHEET 5 PART NO 151273

1 4/26/2005



SWITCH-PUSHBUTTON
41250-01-000 (7)
BRACKET-SWITCH, LIGHT
138494-01-CHT (7)
SCREW
G39-08-12T (14)
G55-08-12B (14)
SCREW COVER
93249-01-000 (28)



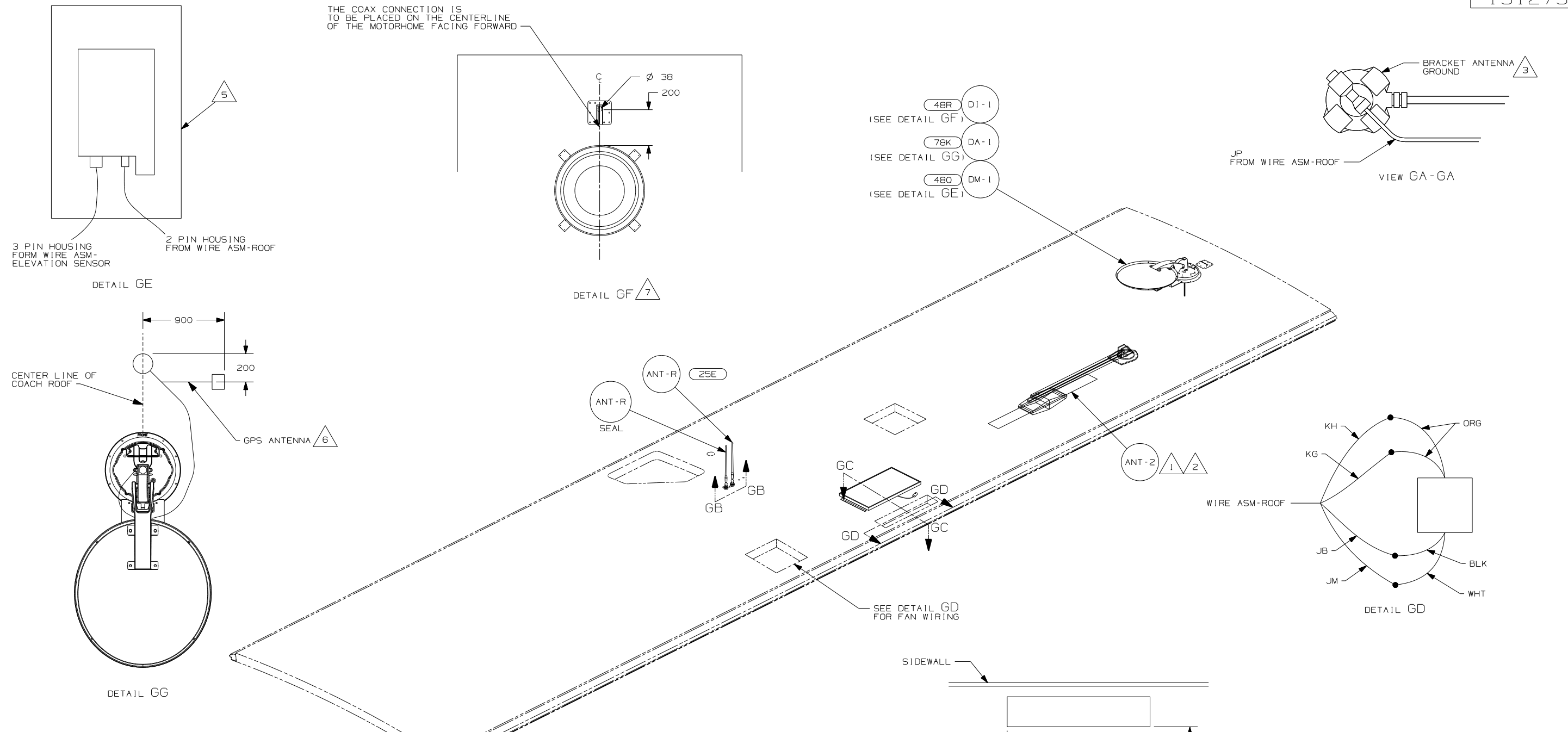
- NOTES:
- 4 LAMP LOCATED IN POWER CORD COMPARTMENT.
 - 3 LAMP LOCATED IN WATER HEATER COMPARTMENT.
 - 2 LAMP LOCATED IN SERVICE COMPARTMENT.
 - 1 LAMP LOCATED IN SLIDEOUT COMPARTMENTS.

- WIN WINNEBAGO ONLY
- ITA ITASCA ONLY
- 48V LIGHTS - FLUORESCENT
- 48M LIGHTS - INCANDESCENT
- 265 CODES/STANDARDS - CSA/CMVSS
- 1B1 CODES/STANDARDS - USA

FOR ELECTRICAL
TORQUE
SPECIFICATIONS
SEE DWG NO.
128783-01-000

FOR
ELECTRICAL
CALLOUTS
SEE DWG NO.
121339-01-000

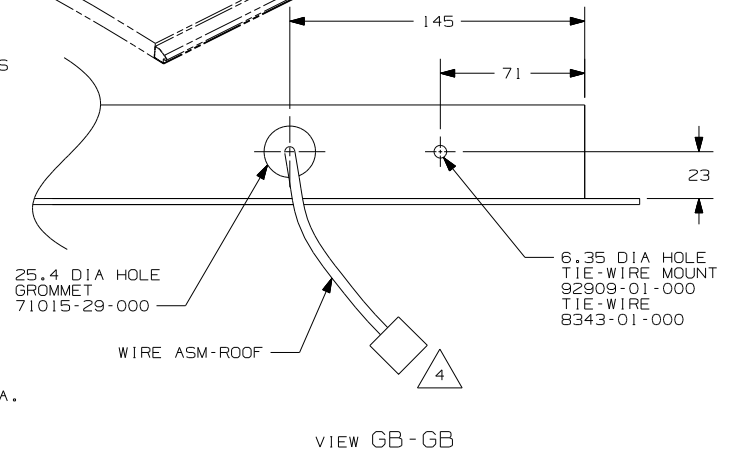
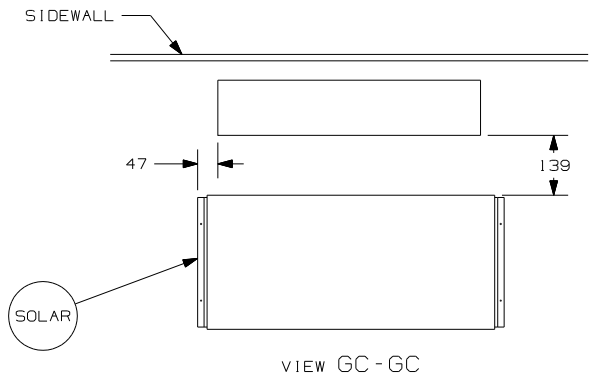
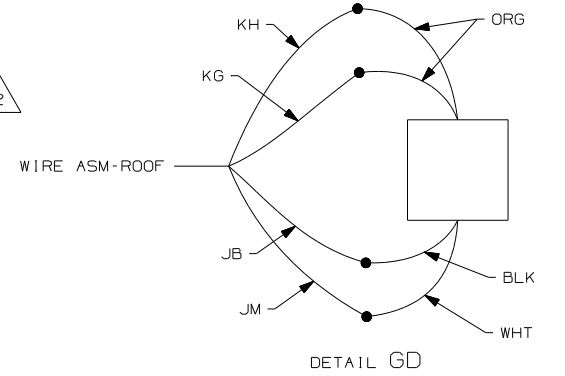
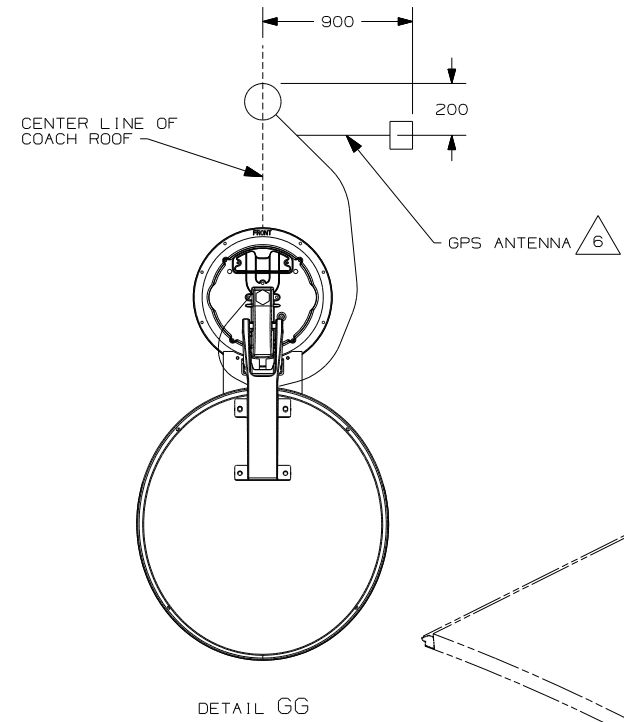
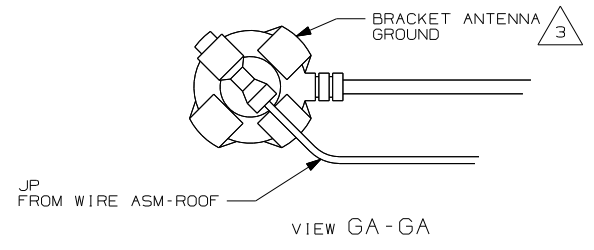
FIRST USED	05 G38G
TITLE	DO NOT SCALE DRAWING
SHEET 6	WIRING INSTL-BODY, 12V
PART NO	151273



THE COAX CONNECTION IS TO BE PLACED ON THE CENTERLINE OF THE MOTORHOME FACING FORWARD

3 PIN HOUSING FROM WIRE ASM-ELEVATION SENSOR
 2 PIN HOUSING FROM WIRE ASM-ROOF
 DETAIL GE

DETAIL GF 7



- NOTES:
- 7 REMOVE ALL SHIPPING RESTRAINTS AND FIRMLY INSERT THE SUPPLIED PLUGS INTO THE APPROPRIATE SIZED HOLES AS SPECIFIED IN THE INSTALLATION PROCESS.
 - 6 MOUNT GPS ANTENNA TO THE RIGHT OF THE SATELLITE AS SHOWN. SECURE CABLE WITH ROOF SEALANT.
 - 5 SENSOR SUPPLIED WITH SATELLITE ASSEMBLY.
 - 4 FASTEN TO VENT.
 - 3 WRAP BRACKET LEGS AROUND ANTENNA BASE.
 - 2 ADD RUBBER BUMPERS TO ROOF UNDER EACH END OF ANTENNA TO PREVENT CONTACT WITH THE ROOF.
 - 1 SEE DWG 76319-01-000 FOR INSTALLATION OF TV ANTENNA.

- 4BR DI-1 (SEE DETAIL GF)
- 7BK DA-1 (SEE DETAIL GG)
- 480 DM-1 (SEE DETAIL GE)

- 7BK SATELLITE DISH-AUTOMATIC
- 4BR SAT SYS IN-MOTION W/O RCVR
- 480 SATELLITE DISH & ELEV.SENSOR
- 25E STEREO SYSTEM W/CD REAR
- 265 CODES/STANDARDS-CSA/CMVSS
- 1B1 CODES STANDARDS-USA

FOR ELECTRICAL TORQUE SPECIFICATIONS SEE DWG NO. 128783-01-000

FOR ELECTRICAL CALLOUTS SEE DWG NO. 121339-01-000

FIRST USED	05 G38G
DO NOT SCALE DRAWING	
TITLE	WIRING INSTL-BODY, 12V
SHEET 7	PART NO 151273