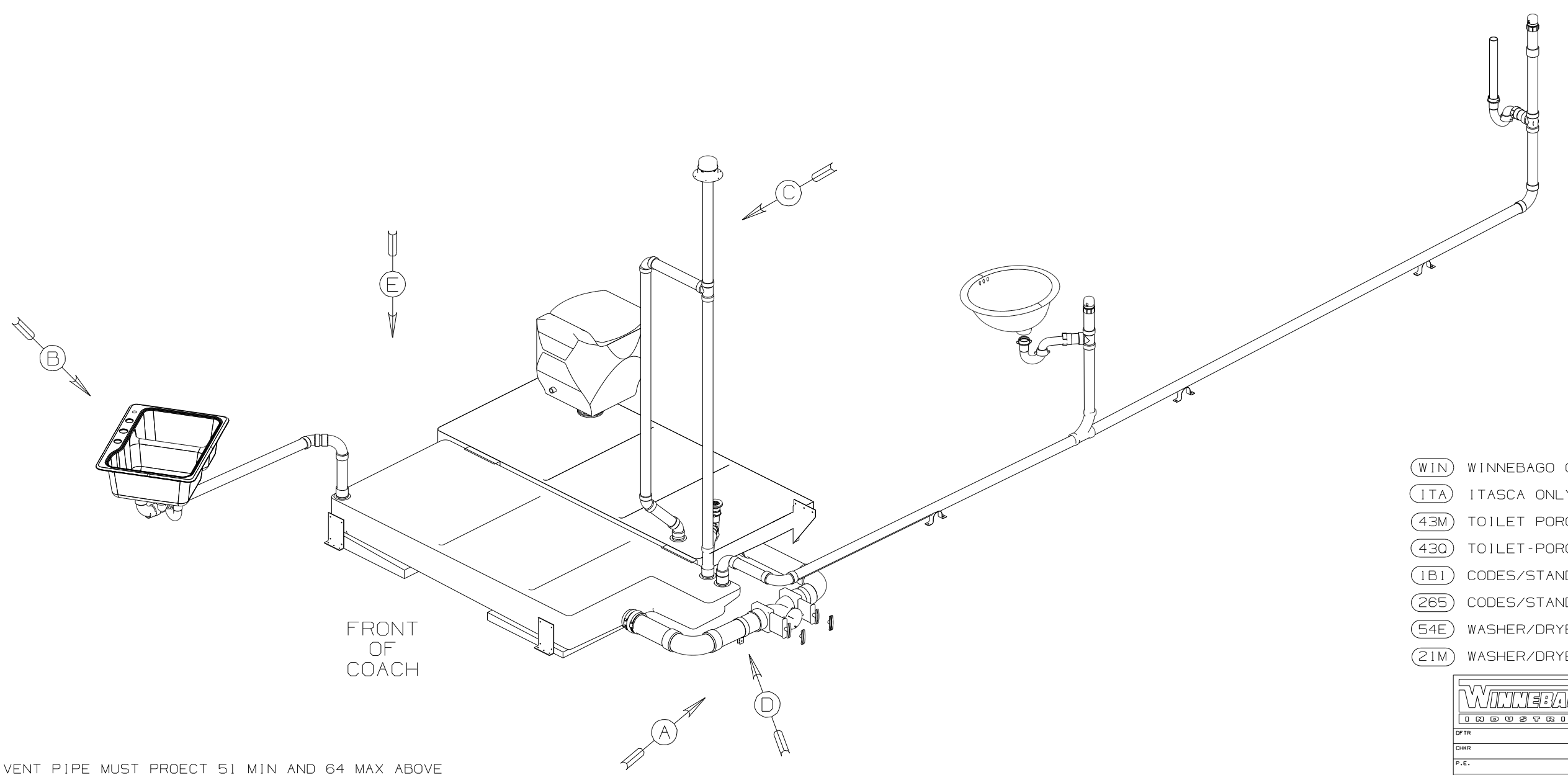


DWG NO	----
150989-01	(WIN)
150989-02	(ITA)

RELEASE	REV DATE	DWG NO
A		150989
REV ZONE	REVISION RECORD	DATE
		DFTR-ORIG



FRONT  
OF  
COACH

- (WIN) WINNEBAGO ONLY
- (ITA) ITASCA ONLY
- (43M) TOILET PORCELAIN-ELONGATED
- (430) TOILET-PORCELAIN AURORA
- (1B1) CODES/STANDARDS USA
- (265) CODES/STANDARDS-CSA/CMVSS
- (54E) WASHER/DRYER
- (21M) WASHER/DRYER PREP

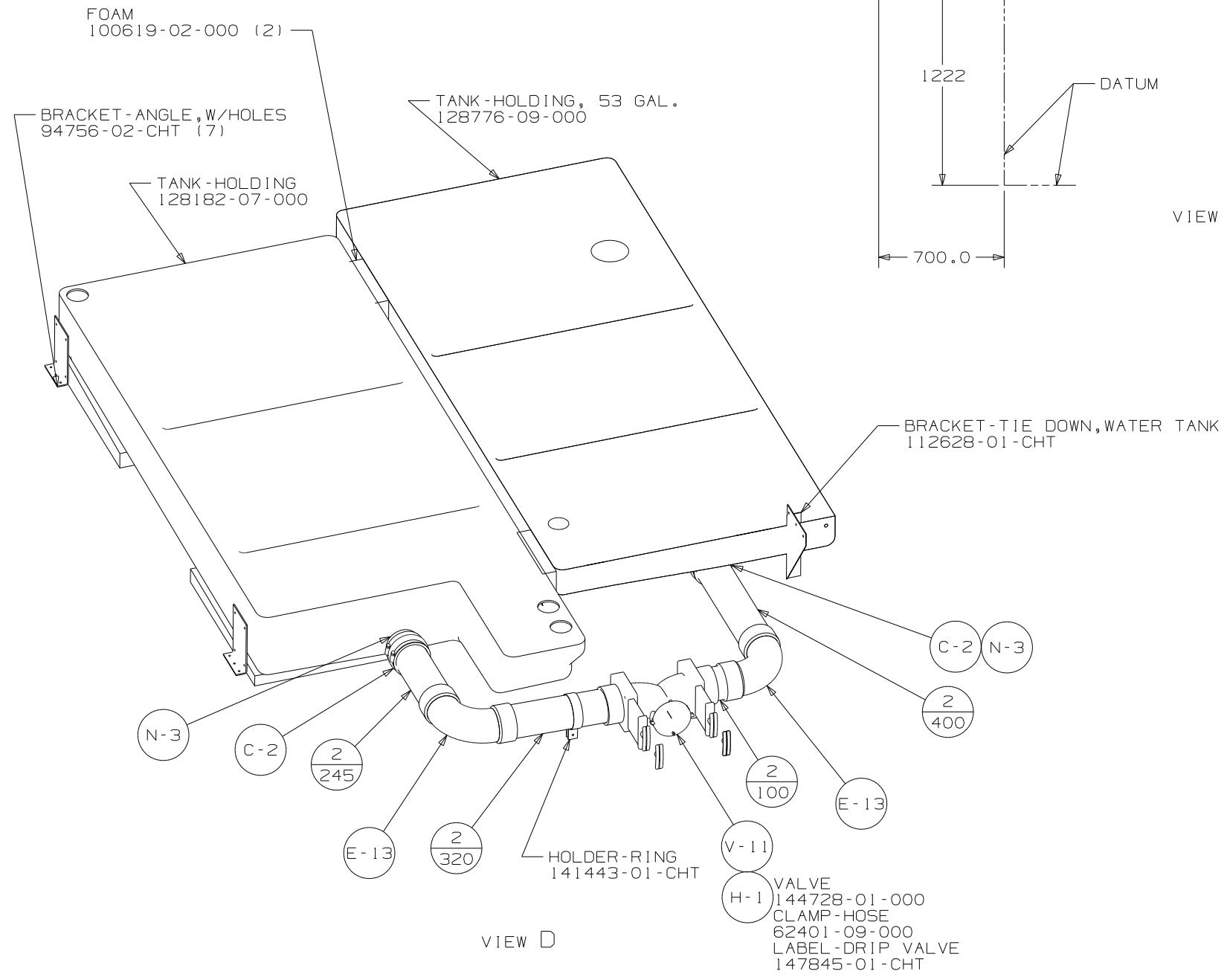
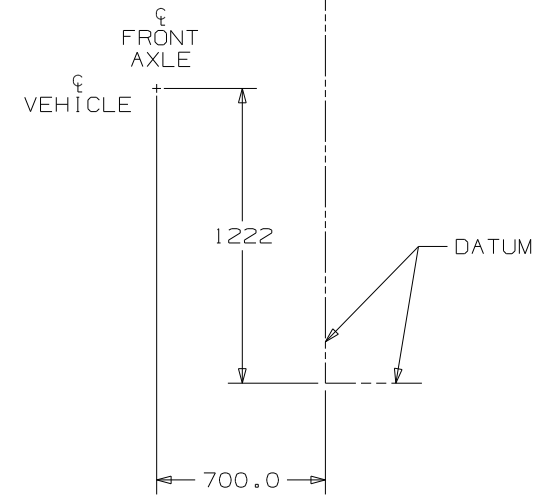
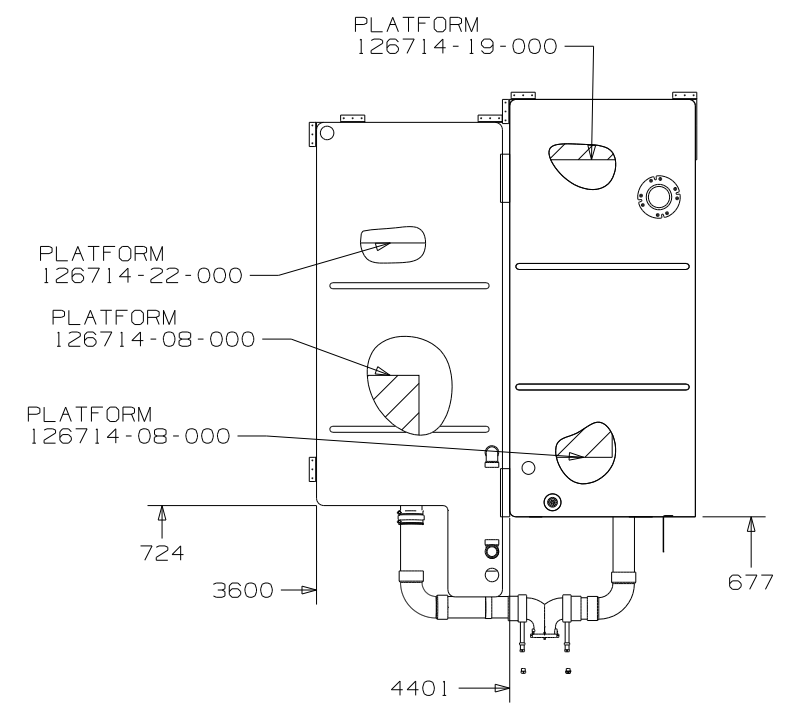
6. VENT PIPE MUST PROJECT 51 MIN AND 64 MAX ABOVE ROOF FOR PROPER FIT AND FUNCTION.
5. SEAL AROUND SHOWER WITH SILICONE.
4. ALL EXTERIOR OPENINGS AROUND PIPE TO BE SEALED WITH 131264-03-000.
3. ALL PIPE AND FITTINGS TO BE ASSEMBLED WITH SOLVENT 4020-01-000.
2. SLOPE OF TRAP ARM MUST BE 6 PER 305 mm.
1. SLOPE OF HORIZONTAL PIPING TO BE MIN 3 PER 305 mm.

NOTES:

(X-X)  
FOR  
DRAINAGE  
CALLOUTS  
SEE DWG NO  
116229-01-000

<b>WINNEBAGO</b>		COPYRIGHT 2005 WINNEBAGO INDUSTRIES, INC.	
DFTR	ORIG. DATE	ALL DIMENSIONS ARE IN MILLIMETERS	
CHKR		FIRST USED	
P.E.		05 G38G	
M.E.		UNSPECIFIED TOLERANCES ARE:	
DSNR		MATERIAL:	
		WHOLE DIM (X)	: 7
		ONE-PLACE (X.X)	:
		TWO-PLACE (X.XX)	:
		ANGLE	:
THIRD ANGLE PROJECTION		DO NOT SCALE DRAWING	
TITLE: DRAINAGE SYSTEM INSTL			
SHEET 1 OF 3		PART NO 150989	

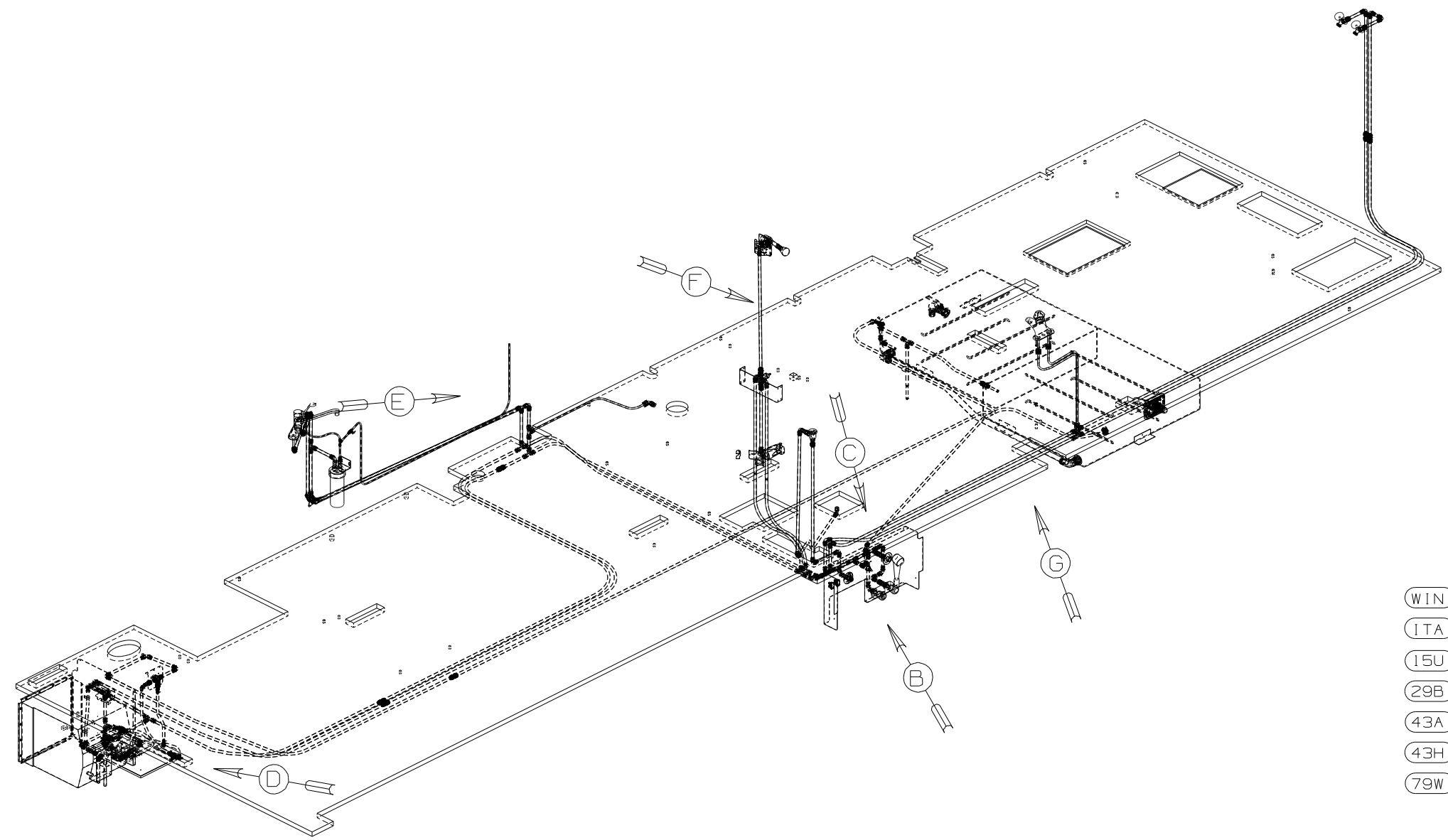




FIRST USED	05 G38G
DO NOT SCALE DRAWING	
TITLE	DRAINAGE SYSTEM INSTL
SHEET 3	PART NO 150989

DWG NO	---
150995-01	(WIN)
150995-02	(ITA)

RELEASE	REV DATE	DWG NO
A		150995
REV ZONE	REVISION RECORD	DATE DFR-ORIG



- (WIN) WINNEBAGO ONLY
- (ITA) ITASCA ONLY
- (15U) REFRIGERATOR/FRZR W/ICEMAKER
- (29B) WATER PURIFIER
- (43A) SHOWER HEAD-FIXED
- (43H) SHOWER HEAD-HAND HELD
- (79W) REFRIGERATOR 4-DOOR

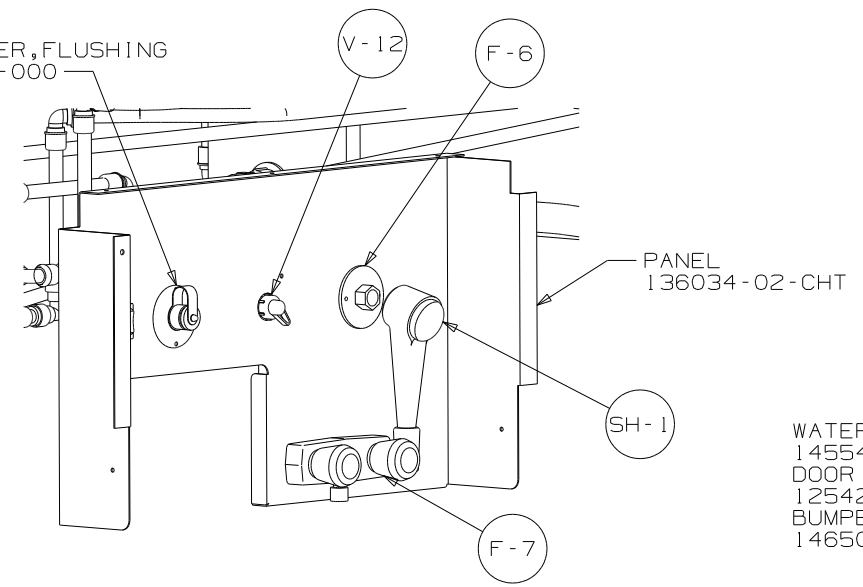
- NOTES:
- 5 ADD TEFLON TAPE 10405-01-000.
  - 4 ADD TEFLON TAPE 10405-02-000.
  - 3. ALL TUBING TO BE SECURED AT 1200 INTERVALS MAXIMUM WITH CLAMP 10495-01-000 OR CLIP 9151-01-000 AND SCREW 667-10-12B.
  - 2. TUBING TO BE INSTALLED WITH SUFFICIENT SLOPE TO PROVIDE DRAINAGE TO NEAREST VALVE.
  - 1. PLASTIC FITTINGS TO BE SEALED WITH SEALANT 84456-01-000.

(X-X)  
FOR  
WATER  
CALLOUTS  
SEE DWG NO  
116230-01-000

<b>WINNEBAGO</b>		COPYRIGHT 2004 WINNEBAGO INDUSTRIES, INC.	
DFTR	ORIG. DATE	ALL DIMENSIONS ARE IN MILLIMETERS	
CHKR		05 G38G	
P.E.		FIRST USED	
M.E.			
DSNR			
UNSPECIFIED TOLERANCES ARE:		MATERIALS:	
WHOLE DIM (X)	: 7	<input checked="" type="checkbox"/>	
ONE-PLACE (X.X)	:	<input checked="" type="checkbox"/>	
TWO-PLACE (X.XX)	:	<input checked="" type="checkbox"/>	
ANGLE	:	<input checked="" type="checkbox"/>	
THIRD ANGLE PROJECTION		<input checked="" type="checkbox"/>	
<b>DO NOT SCALE DRAWING</b>			
TITLE: WATER SYSTEM INSTL			
SHEET 1 OF 4	PART NO	150995	

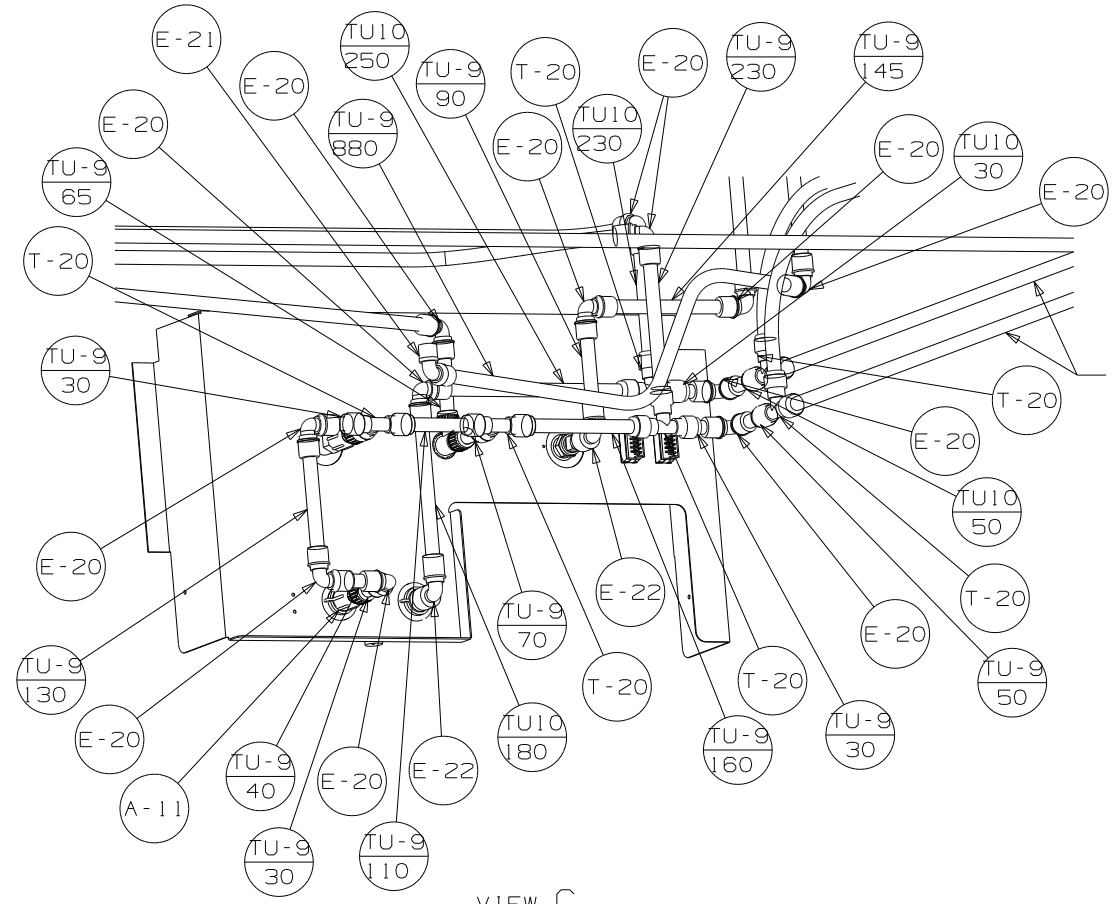


INLET - WATER, FLUSHING  
125697-05-000

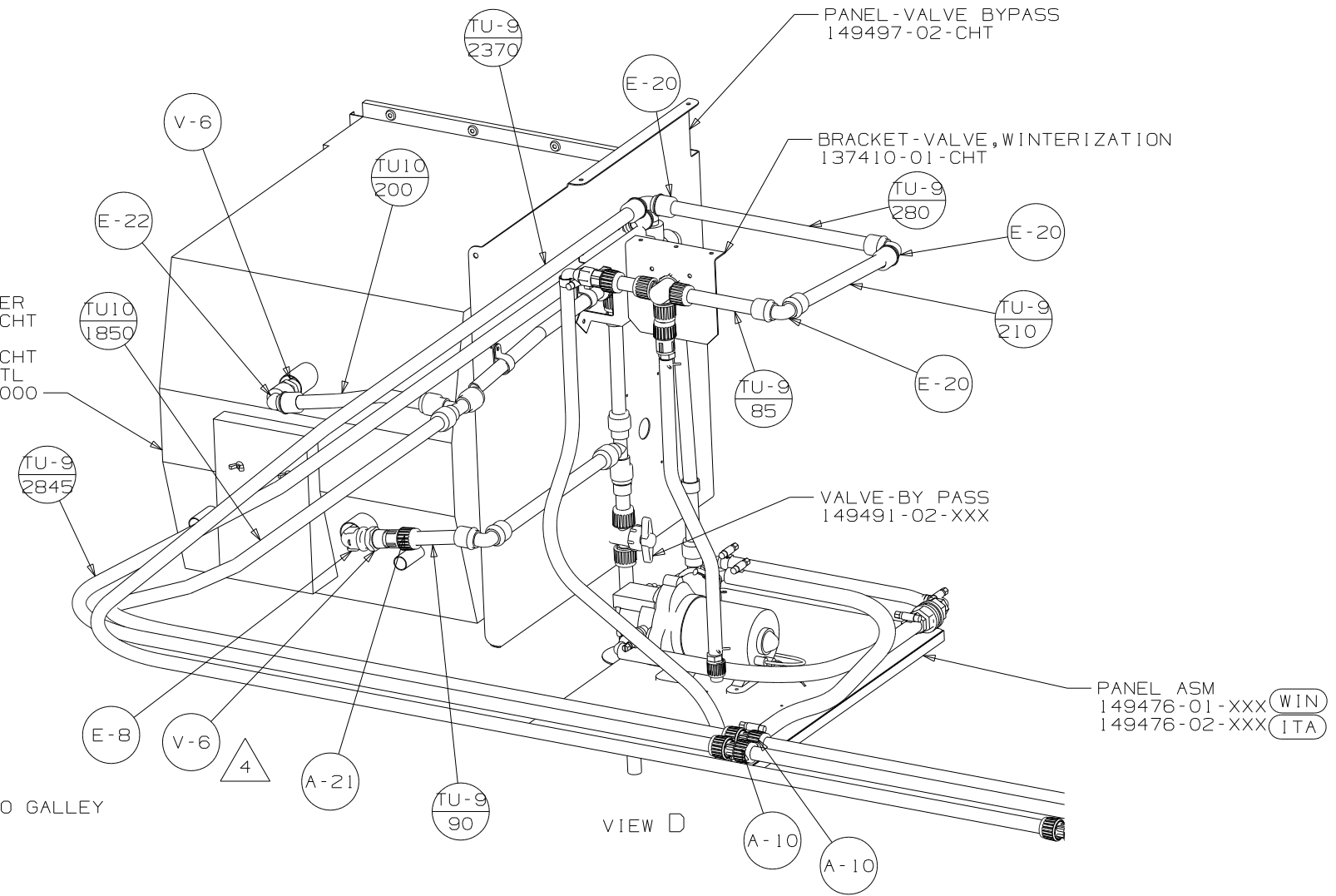


WATER HEATER  
145541-01-CHT  
DOOR  
125420-03-CHT  
BUMPER INSTL  
146507-01-000

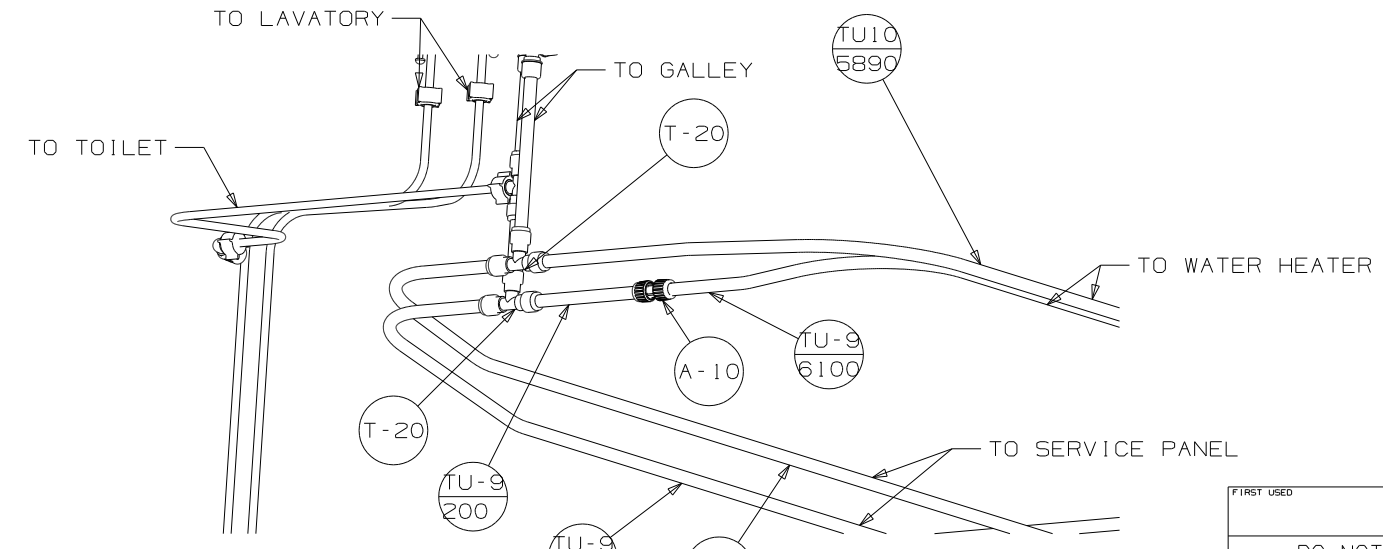
VIEW B



VIEW C

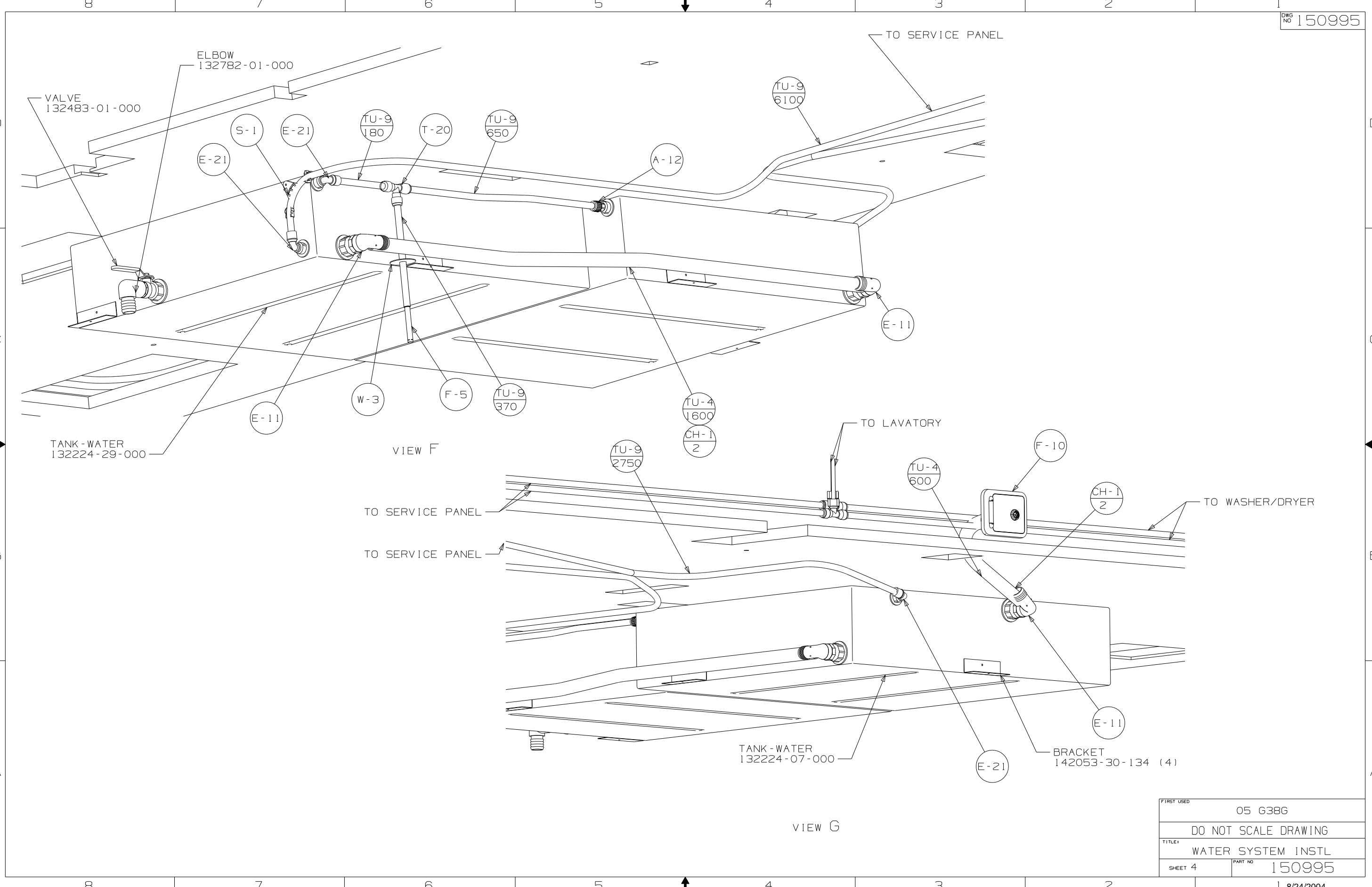


VIEW D



VIEW E

FIRST USED	05 G38G
TITLE	DO NOT SCALE DRAWING
TITLE	WATER SYSTEM INSTL
SHEET 3	PART NO 150995



VIEW F

VIEW G

FIRST USED	05 G38G
TITLE	DO NOT SCALE DRAWING
SHEET 4	PART NO 150995
1 8/24/2004	