



DANGER

Danger of electrical shock, burns or death. Always remove all power sources before attempting any repair, service or diagnostic work. Power can be present from shore power, generator, inverter or battery. All power sources must be disabled and secured before performing any service.

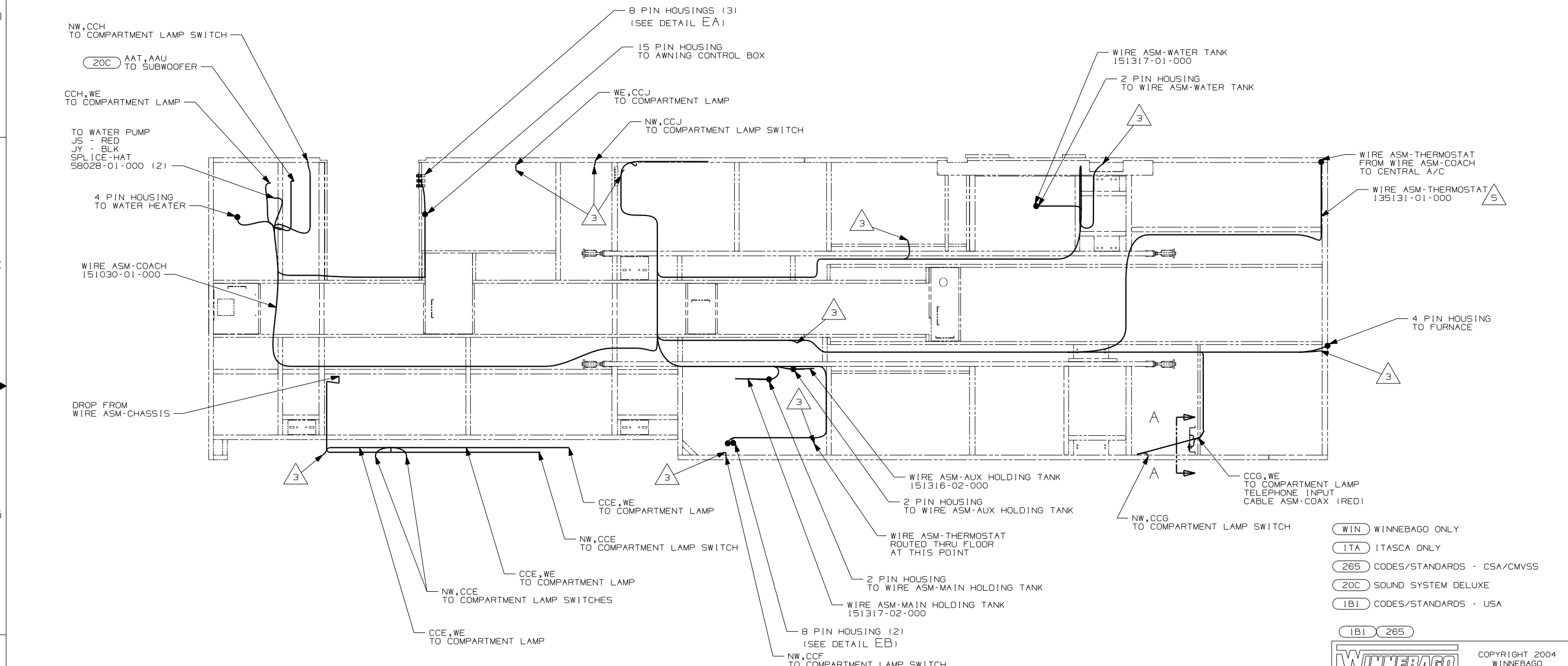


CAUTION

If you lack the skills, tools or equipment to perform diagnostic or repair work leave such work to an authorized Winnebago Industries dealer or other qualified shop.

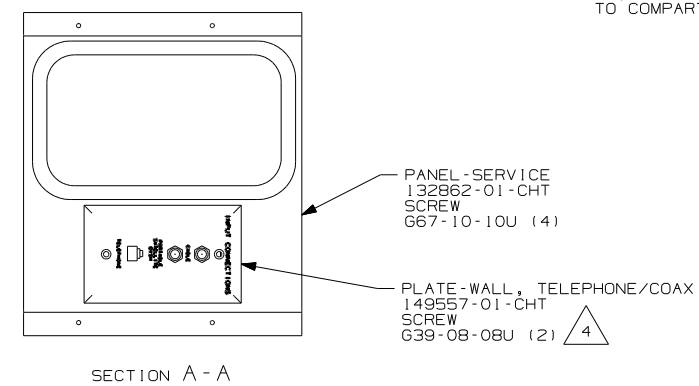
DRAWING NO.	FEATURE
150759-01	(WIN)
150759-02	(ITA)

RELEASE	REV/DATE	DWG NO
	A	150759
REV ZONE	REVISION RECORD	DATE



- (WIN) WINNEBAGO ONLY
- (ITA) ITASCA ONLY
- (265) CODES/STANDARDS - CSA/CMVSS
- (20C) SOUND SYSTEM DELUXE
- (1B1) CODES/STANDARDS - USA

- 5 FOR ADDITIONAL INFORMATION SEE CENTRAL A/C INSTALLATION.
- 4 CONNECT TELEPHONE WIRE TO MATCHING COLORS ON PLATE-WALL, TELEPHONE.
- 3 WIRE PASSES THROUGH FLOOR AT THIS POINT.
2. SEE WIRING DIAGRAM-BODY, 12V FOR ADDITIONAL INFORMATION.
1. ALL WIRE TO BE CLAMPED WITH CLAMP 10495-01-000 OR WIRE TIE 8343-02-000 EVERY 600MM, UNLESS OTHERWISE SPECIFIED.



FOR ELECTRICAL TORQUE SPECIFICATIONS SEE DWG NO. 128783-01-000

(X-X) FOR ELECTRICAL CALLOUTS SEE DWG NO. 121339-01-000

1B1 265

WINNEBAGO COPYRIGHT 2004 WINNEBAGO INDUSTRIES, INC.

D/FTR	ORIG. DATE
CHKR	ALL DIMENSIONS ARE IN MILLIMETERS
P.E.	
M.E.	FIRST USED
DSNR	05 G37B

UNSPECIFIED TOLERANCES ARE: MATERIAL:

HOLE DIM (X)	:	
ONE-PLACE (X.X)	:	
TWO-PLACE (X.XX)	:	
ANGLE	:	

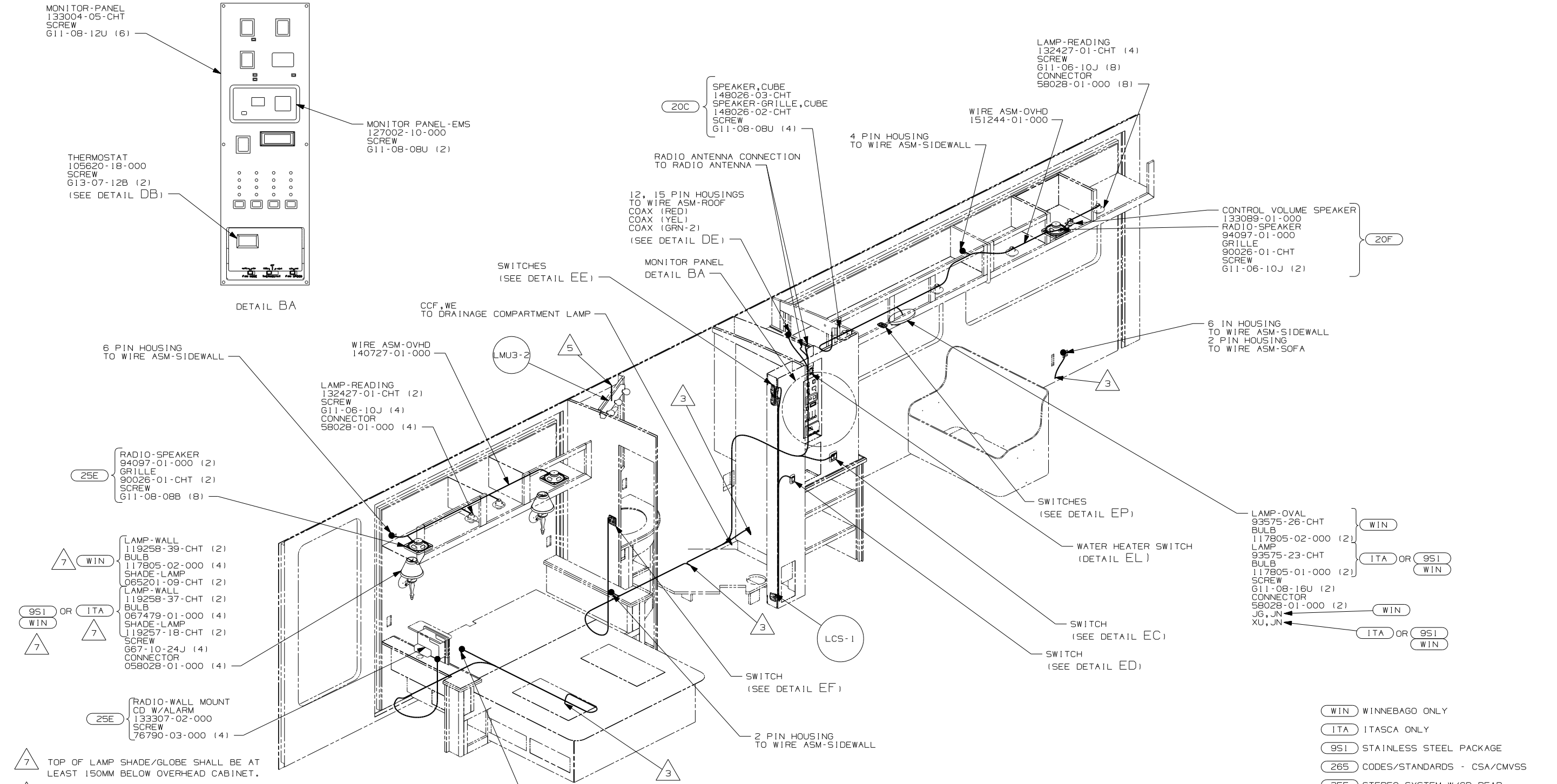
THIRD ANGLE PROJECTION

DO NOT SCALE DRAWING

TITLE: WIRING INSTL-BODY, 12V

SHEET 1 OF 7 PART NO 150759

REF: 147721 1 4/26/2005



- 7** TOP OF LAMP SHADE/GLOBE SHALL BE AT LEAST 150MM BELOW OVERHEAD CABINET.
- 6** CONNECT TELEPHONE WIRE TO MATCHING COLORS ON PLATE-WALL, TELEPHONE.
- 5** WIRE IN ROOF.
- 4** WIRE IN SIDEWALL.
- 3** WIRE PASSES THROUGH FLOOR AT THIS POINT.
2. SEE WIRING DIAGRAM-BODY, 12V FOR ADDITIONAL INFORMATION.
1. ALL WIRES TO BE CLAMPED WITH CLAMP 10495-01-000 OR WIRE TIE 8343-02-000 EVERY 600MM, UNLESS OTHERWISE SPECIFIED.

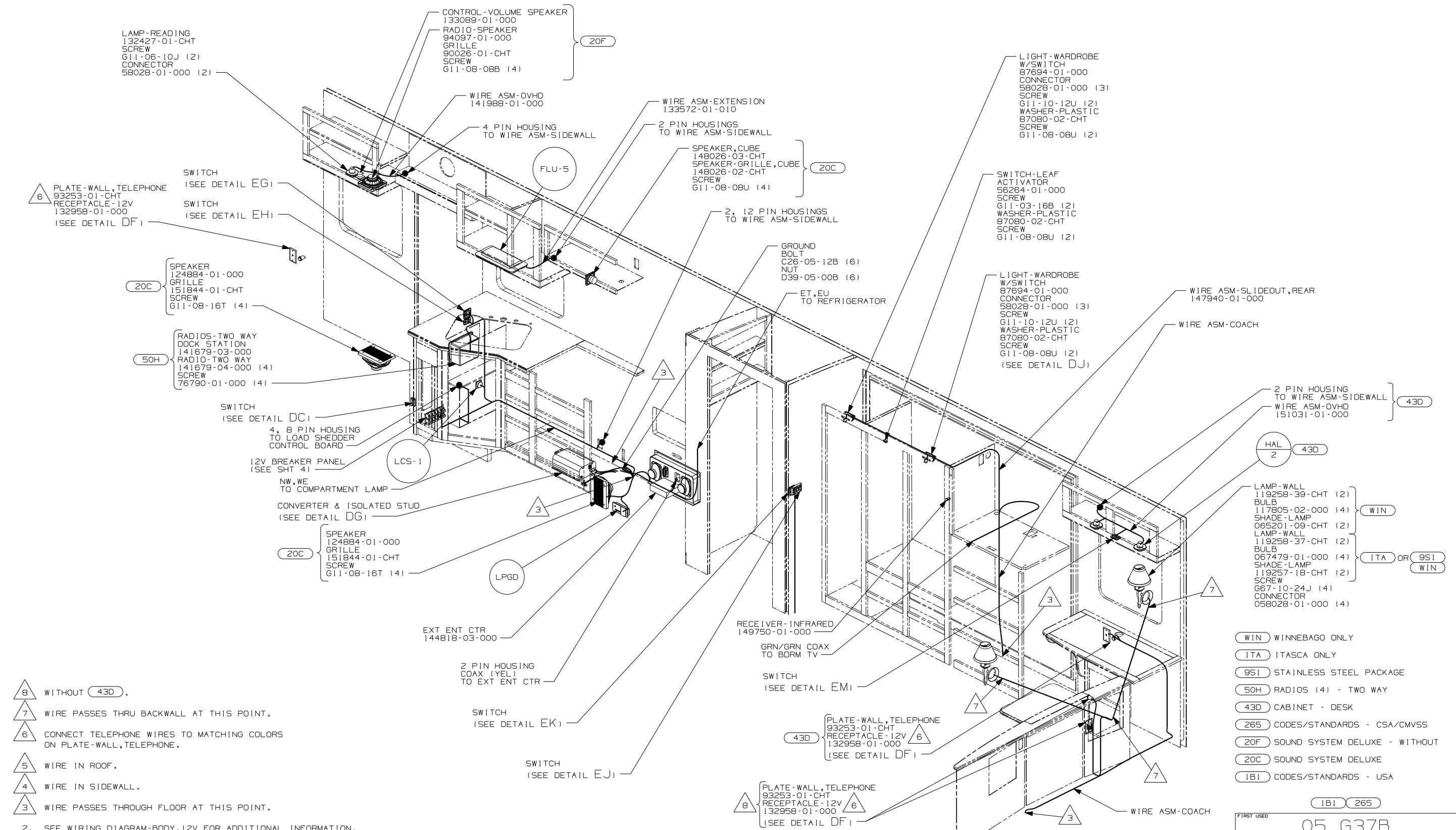
NOTES:

- WIN** WINNEBAGO ONLY
- ITA** ITASCA ONLY
- 951** STAINLESS STEEL PACKAGE
- 265** CODES/STANDARDS - CSA/CMVSS
- 25E** STEREO SYSTEM W/CD REAR
- 20F** DELUXE SOUND SYSTEM - WITHOUT
- 20C** DELUXE SOUND SYSTEM
- 1B1** CODES/STANDARDS - USA

FOR ELECTRICAL TORQUE SPECIFICATIONS SEE DWG NO. 128783-01-000

FOR ELECTRICAL CALLOUTS SEE DWG NO. 121339-01-000

FIRST USED	05 G37B
TITLE	DO NOT SCALE DRAWING
TITLE	WIRING INSTL-BODY, 12V
SHEET 2	PART NO 150759



- △ 8 WITHOUT 43D.
 - △ 7 WIRE PASSES THRU BACKWALL AT THIS POINT.
 - △ 6 CONNECT TELEPHONE WIRES TO MATCHING COLORS ON PLATE-WALL, TELEPHONE.
 - △ 5 WIRE IN ROOF.
 - △ 4 WIRE IN SIDEWALL.
 - △ 3 WIRE PASSES THROUGH FLOOR AT THIS POINT.
2. SEE WIRING DIAGRAM-BODY, 12V FOR ADDITIONAL INFORMATION.
 1. ALL WIRES TO BE CLAMPED WITH CLAMP 10495-01-000 OR WIRE TIE 8343-02-000 EVERY 600MM, UNLESS OTHERWISE SPECIFIED.

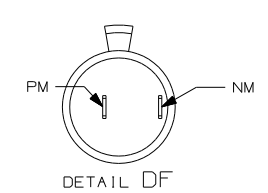
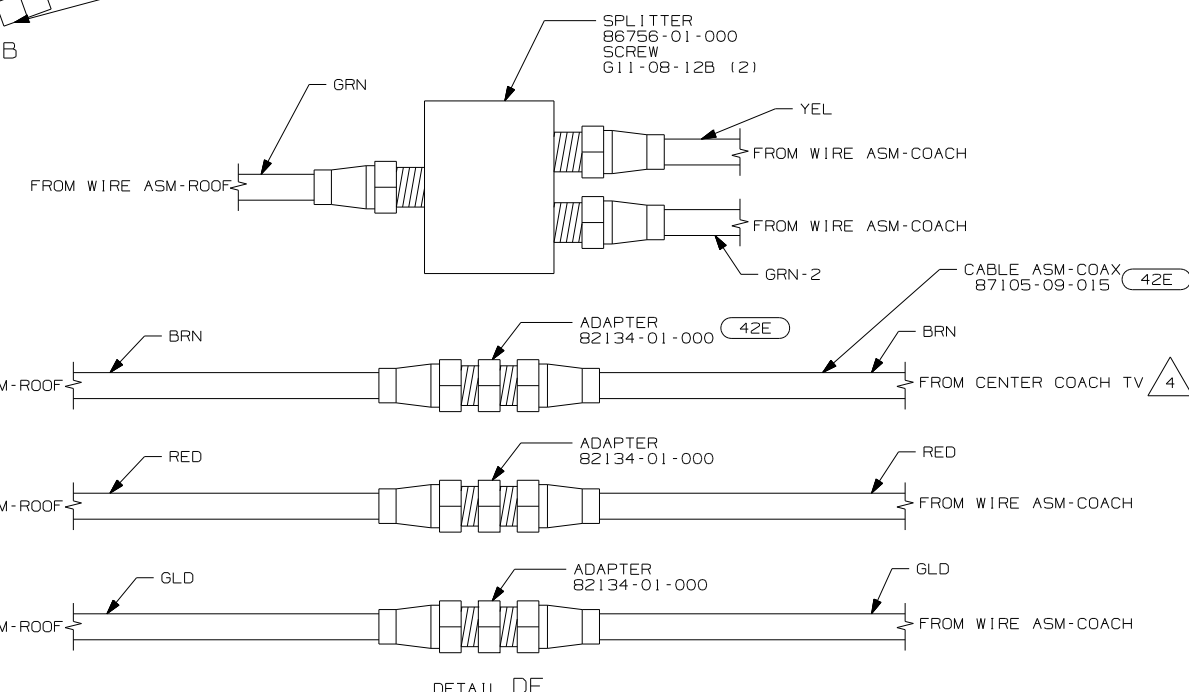
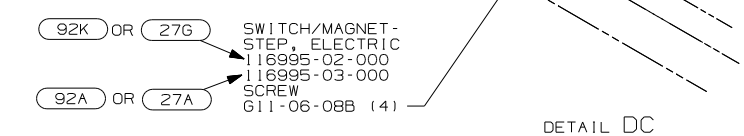
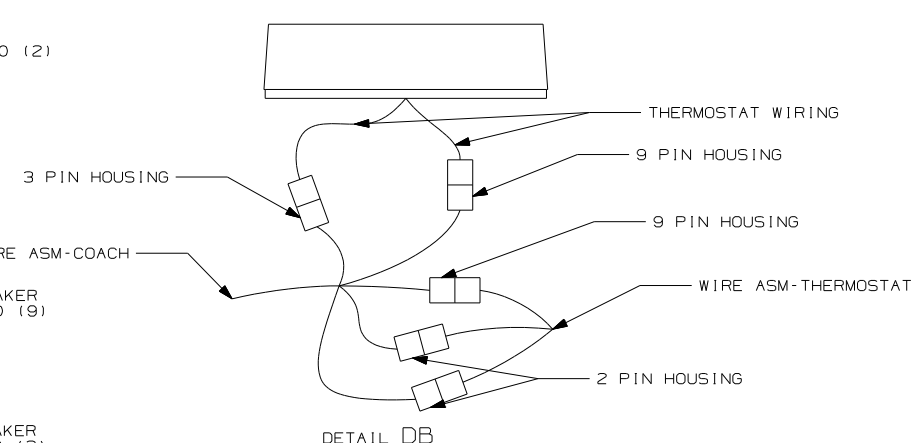
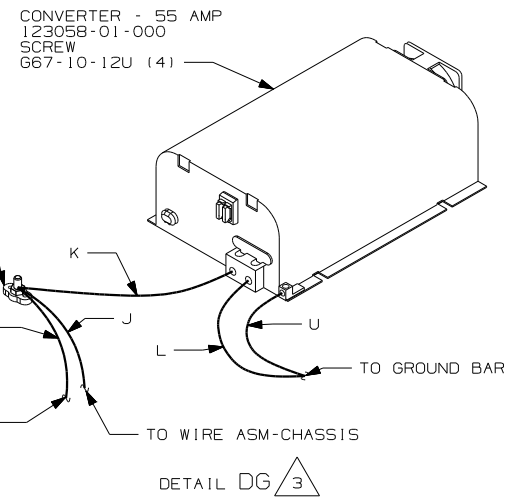
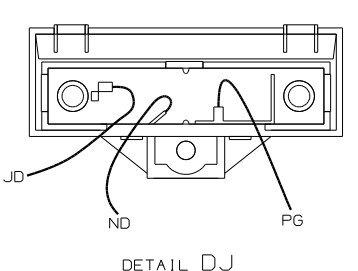
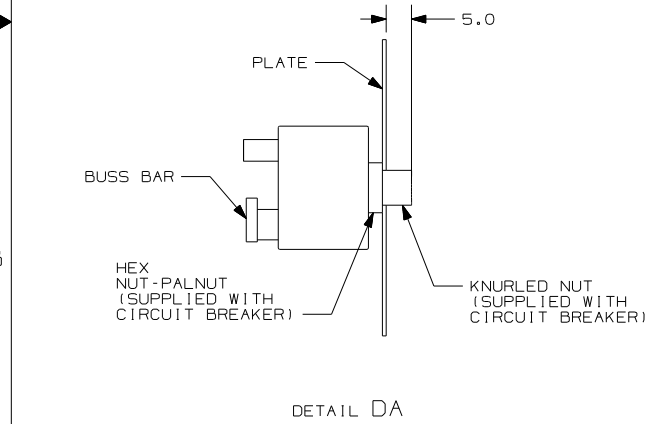
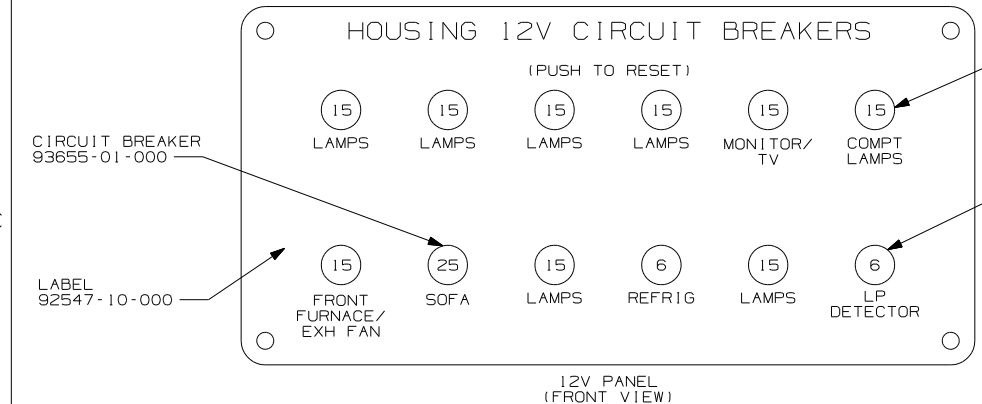
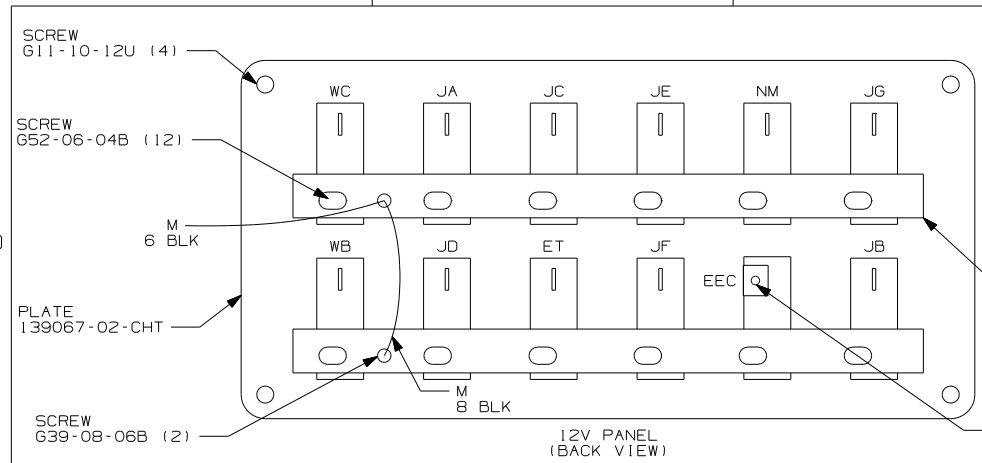
NOTES:

- (WIN) WINNEBAGO ONLY
- (ITA) ITASCA ONLY
- (9S1) STAINLESS STEEL PACKAGE
- (50H) RADIOS (4) - TWO WAY
- (43D) CABINET - DESK
- (265) CODES/STANDARDS - CSA/CMVSS
- (20F) SOUND SYSTEM DELUXE - WITHOUT
- (20C) SOUND SYSTEM DELUXE
- (1B1) CODES/STANDARDS - USA

FOR ELECTRICAL SPECIFICATIONS SEE DWG NO. 128783-01-000

X-X FOR ELECTRICAL CALLOUTS SEE DWG NO. 121339-01-000

FIRST USED	05 G37B
DO NOT SCALE DRAWING	
TITLE:	WIRING INSTL-BODY, 12V
SHEET 3	PART NO 150759



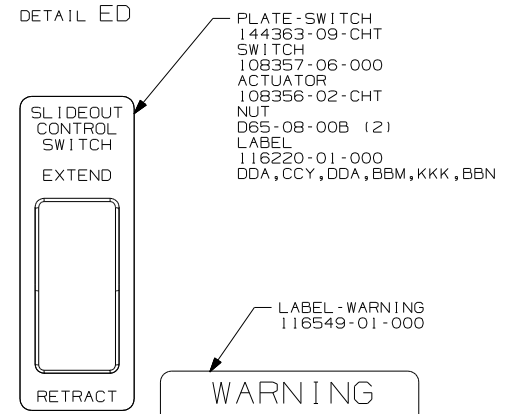
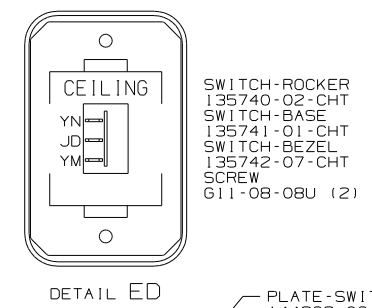
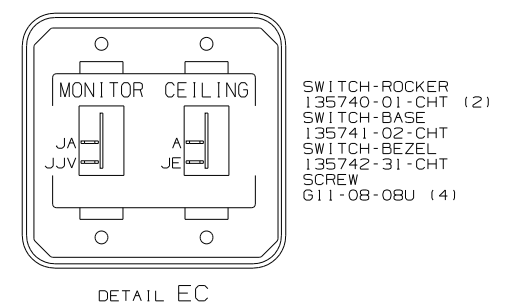
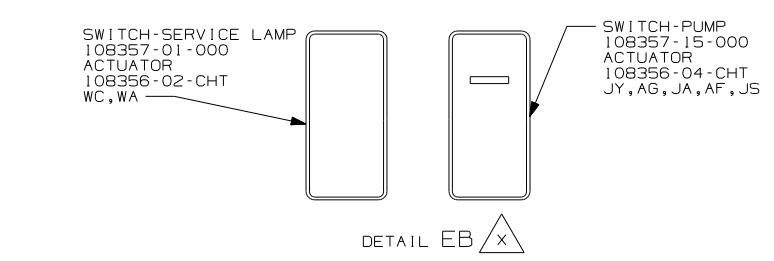
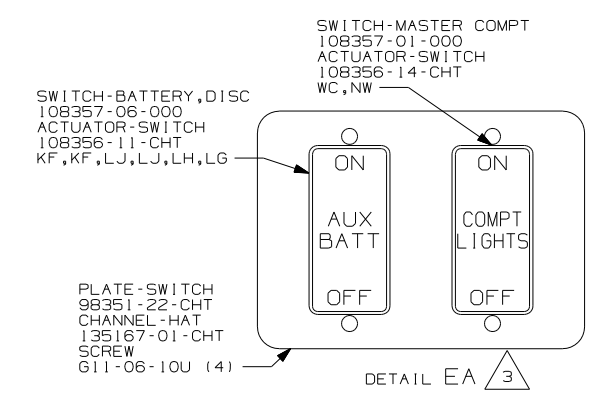
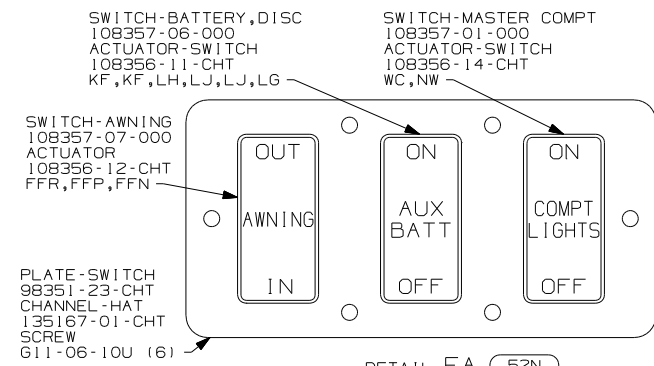
- NOTES:
- 4 SEE SIDE/TV INSTLATION FOR ADDITIONAL INFORMATION.
 - 3 FOR POSITIONING DIMENSIONS SEE WIRING INSTL-BODY, 110V SHT 5.
 - 2 MOUNT SWITCH AND SPACER TO BLOCK ON JAMB ADJUST HEIGHT TO MATCH MAGNET.
 - 1 MOUNT MAGNET USING PILOT HOLES IN SCREEN DOOR FRAME. MOUNT WITH MAGNET TOWARD SWITCH.

- 92K EXTERIOR GRAPHICS PACKAGE #2
- 92A EXT FULL BODY PAINT PKG # 2
- 42E TV-27" COLOR, STEREO W/REMOTE
- 29H HEAT PUMP - A/C CENTRAL
- 27G EXTERIOR GRAPHICS PACKAGE #1
- 27A EXT FULL BODY PAINT PKG #1
- 265 CODES/STANDARDS - CSA/CMVSS
- 1B1 CODES/STANDARDS - USA

FOR ELECTRICAL TORQUE SPECIFICATIONS SEE DWG NO. 128783-01-000

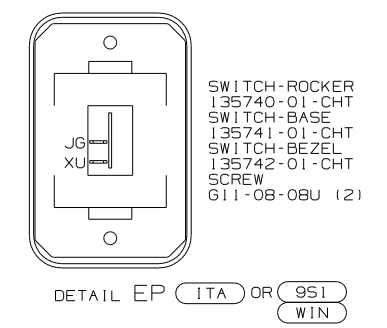
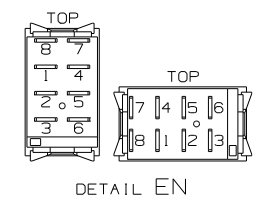
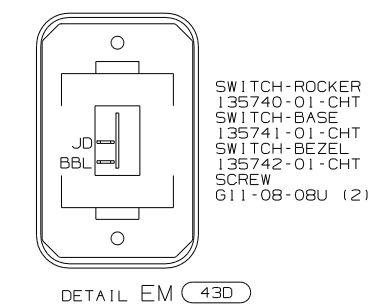
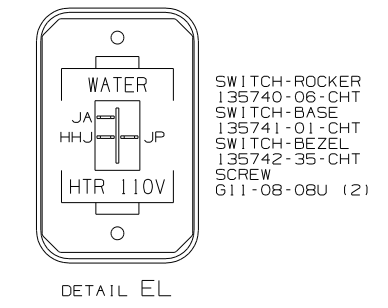
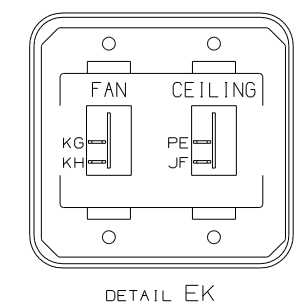
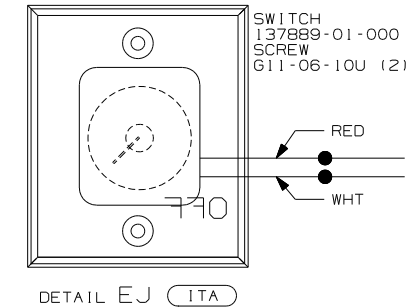
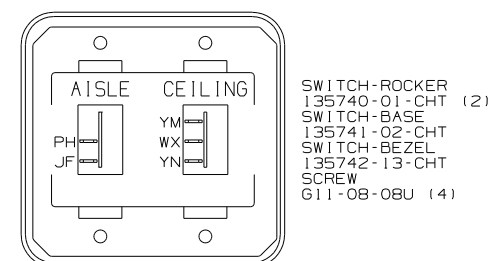
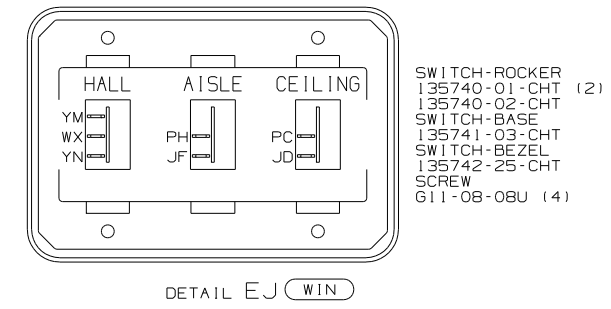
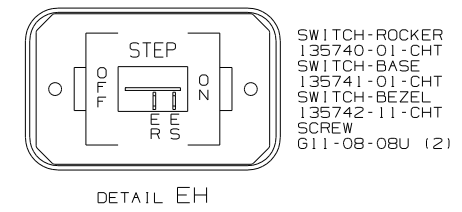
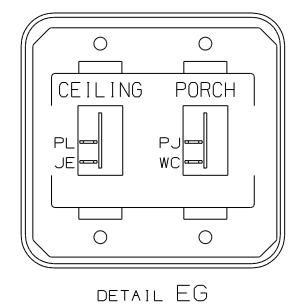
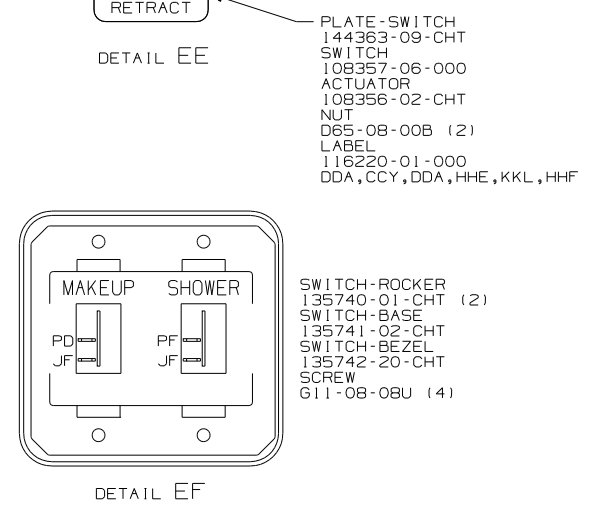
FOR ELECTRICAL CALLOUTS SEE DWG NO. 121339-01-000

FIRST USED	05 G37B
TITLE	DO NOT SCALE DRAWING
TITLE	WIRING INSTL-BODY, 12V
SHEET 4	PART NO 150759



LABEL-WARNING
116549-01-000

WARNING
UNDERSTAND OPERATOR'S MANUAL BEFORE USING KEEP PEOPLE AND OBSTRUCTIONS CLEAR OF SLIDEOUT ROOM WHEN OPERATING TO AVOID INJURY AND/OR PROPERTY DAMAGE



- 95I STAINLESS STEEL PACKAGE
- WIN WINNEBAGO ONLY
- ITA ITASCA ONLY
- 52N AWNING - PATIO, ELECTRIC
- 43D CABINET - DESK
- 265 CODES/STANDARDS - CSA/CMVSS
- IBI CODES/STANDARDS - USA

3 WITHOUT 52N.

2 TAPE BACK UNUSED TERMINALS TO WIRE ASM-COACH WITH TAPE 8363-01-000.

1. SWITCHES ARE TO BE INSTALLED AS SHOWN ON THIS DRAWING.

NOTES:

FOR ELECTRICAL TORQUE SPECIFICATIONS SEE DWG NO. 128783-01-000

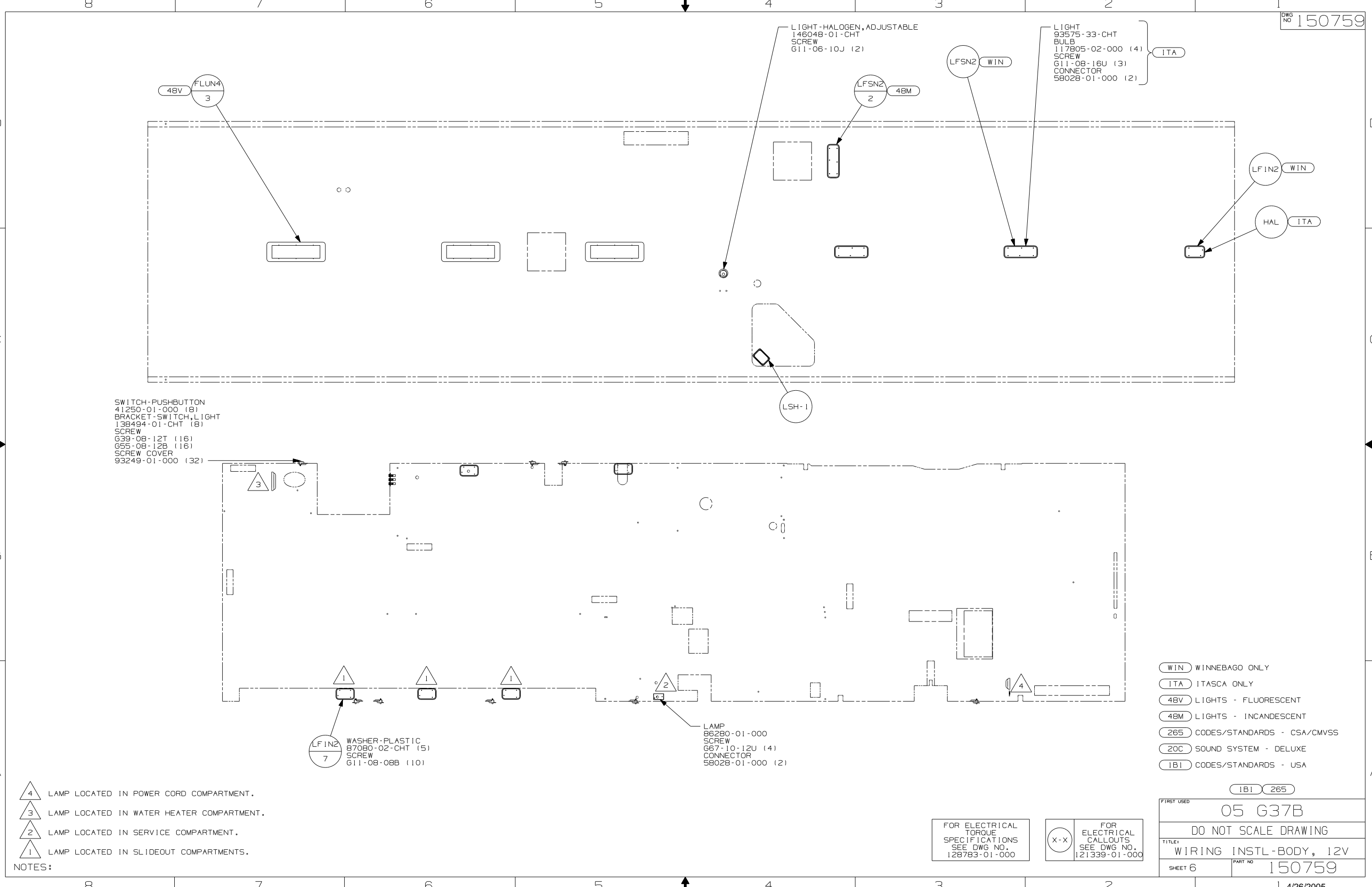
X-X FOR ELECTRICAL CALLOUTS SEE DWG NO. 121339-01-000

FIRST USED 05 G37B

DO NOT SCALE DRAWING

TITLE: WIRING INSTL-BODY, 12V

SHEET 5 PART NO 150759



LIGHT - HALOGEN, ADJUSTABLE
146048-01-CHT
SCREW
G11-06-10J (2)

LIGHT
93575-33-CHT
BULB
117805-02-000 (4)
SCREW
G11-08-16U (3)
CONNECTOR
58028-01-000 (2)

ITA

48V FLUN4
3

LFSN2 2
48M

LFSN2 WIN

LSH-1

LF1N2 WIN

HAL ITA

SWITCH-PUSHBUTTON
41250-01-000 (8)
BRACKET-SWITCH, LIGHT
138494-01-CHT (8)
SCREW
G39-08-12T (16)
G55-08-12B (16)
SCREW COVER
93249-01-000 (32)

LF1N2 7
WASHER-PLASTIC
87080-02-CHT (5)
SCREW
G11-08-08B (10)

LAMP
86280-01-000
SCREW
G67-10-12U (4)
CONNECTOR
58028-01-000 (2)

- (WIN) WINNEBAGO ONLY
- (ITA) ITASCA ONLY
- (48V) LIGHTS - FLUORESCENT
- (48M) LIGHTS - INCANDESCENT
- (265) CODES/STANDARDS - CSA/CMVSS
- (20C) SOUND SYSTEM - DELUXE
- (1B1) CODES/STANDARDS - USA

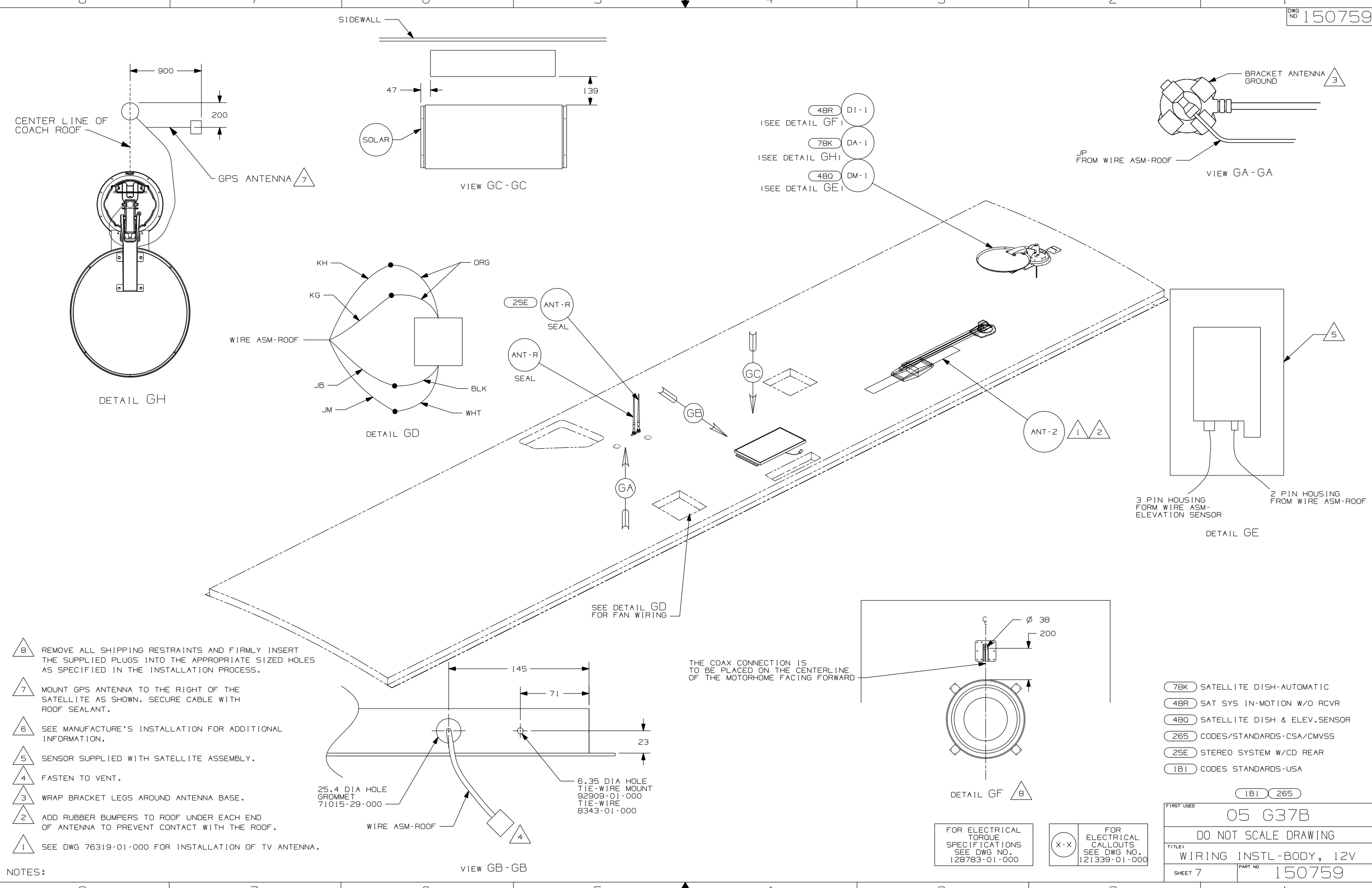
- 4 LAMP LOCATED IN POWER CORD COMPARTMENT.
- 3 LAMP LOCATED IN WATER HEATER COMPARTMENT.
- 2 LAMP LOCATED IN SERVICE COMPARTMENT.
- 1 LAMP LOCATED IN SLIDEOUT COMPARTMENTS.

NOTES:

FOR ELECTRICAL
TORQUE
SPECIFICATIONS
SEE DWG NO.
128783-01-000

FOR ELECTRICAL
CALLOUTS
SEE DWG NO.
121339-01-000

FIRST USED	05 G37B
TITLE	DO NOT SCALE DRAWING
TITLE	WIRING INSTL-BODY, 12V
SHEET 6	PART NO 150759
I 4/26/2005	



- NOTES:
- 8 REMOVE ALL SHIPPING RESTRAINTS AND FIRMLY INSERT THE SUPPLIED PLUGS INTO THE APPROPRIATE SIZED HOLES AS SPECIFIED IN THE INSTALLATION PROCESS.
 - 7 MOUNT GPS ANTENNA TO THE RIGHT OF THE SATELLITE AS SHOWN. SECURE CABLE WITH ROOF SEALANT.
 - 6 SEE MANUFACTURE'S INSTALLATION FOR ADDITIONAL INFORMATION.
 - 5 SENSOR SUPPLIED WITH SATELLITE ASSEMBLY.
 - 4 FASTEN TO VENT.
 - 3 WRAP BRACKET LEGS AROUND ANTENNA BASE.
 - 2 ADD RUBBER BUMPERS TO ROOF UNDER EACH END OF ANTENNA TO PREVENT CONTACT WITH THE ROOF.
 - 1 SEE DWG 76319-01-000 FOR INSTALLATION OF TV ANTENNA.

FOR ELECTRICAL TORQUE SPECIFICATIONS SEE DWG NO. 128783-01-000

FOR ELECTRICAL CALLOUTS SEE DWG NO. 121339-01-000

- 78K SATTELLITE DISH-AUTOMATIC
- 48R SAT SYS IN-MOTION W/O RCVR
- 480 SATTELLITE DISH & ELEV.SENSOR
- 265 CODES/STANDARDS-CSA/CMVSS
- 25E STEREO SYSTEM W/CD REAR
- 1B1 CODES STANDARDS-USA

FIRST USED	
05 G37B	
DO NOT SCALE DRAWING	
TITLE: WIRING INSTL-BODY, 12V	
SHEET 7	PART NO 150759