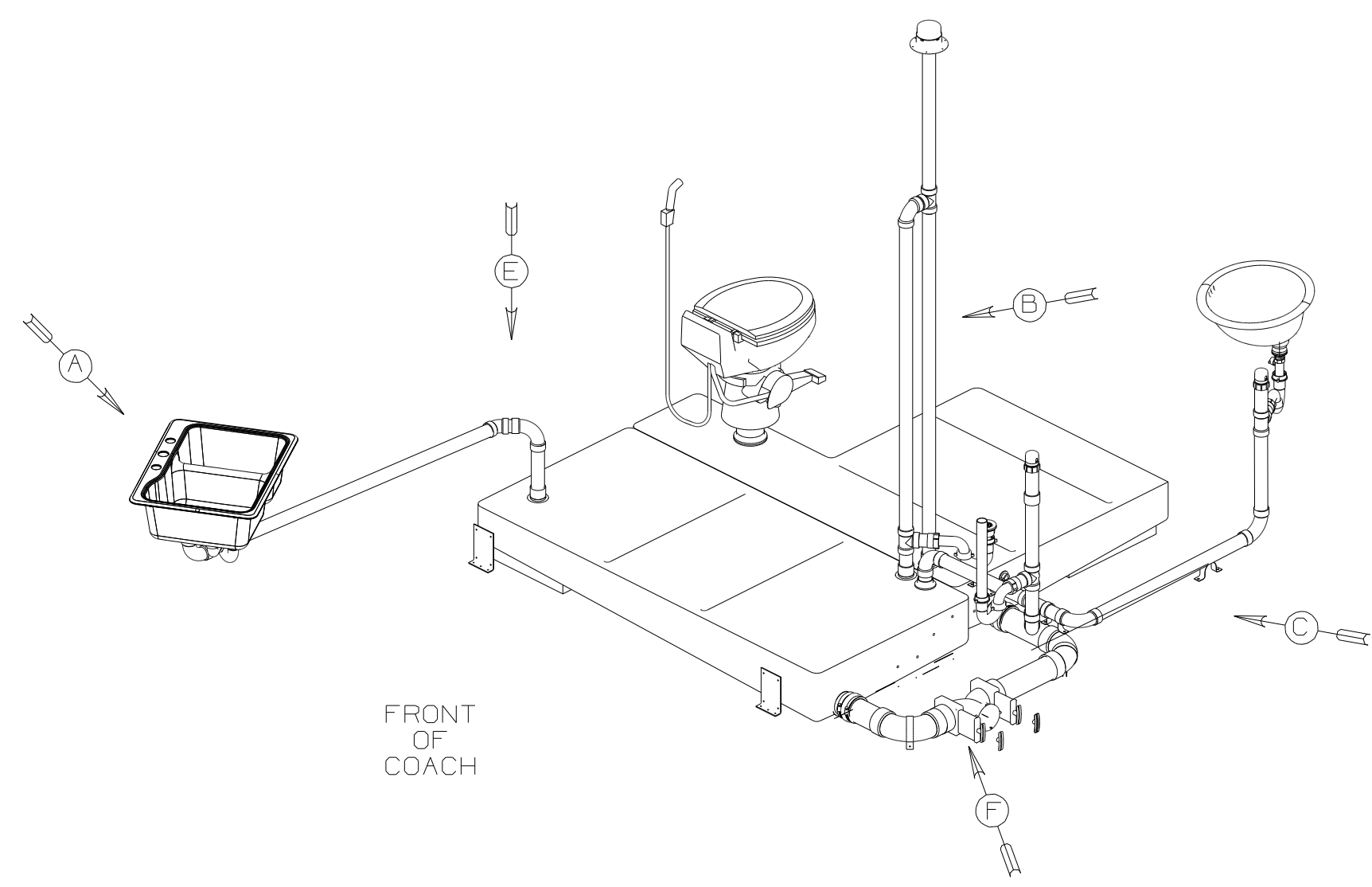


DWG NO	----
150502-01	(WIN)
150502-02	(ITA)

RELEASE	REV DATE	DWG NO
A		150502
REV ZONE	REVISION RECORD	DATE
		DFTR-ORIG



FRONT OF COACH

- (WIN) WINNEBAGO ONLY
- (ITA) ITASCA ONLY
- (43M) TOILET PORCELAIN-ELONGATED
- (43Q) TOILET-PORCELAIN
- (1B1) CODES/STANDARDS USA
- (265) CODES/STANDARDS-CSA/CMVSS
- (21M) WASHER/DRYER PREP
- (54E) WASHER/DRYER

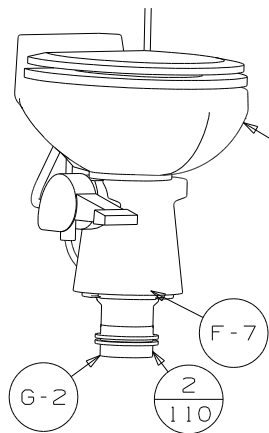
- 6 VENT PIPE MUST PROJECT 51 MIN AND 64 MAX ABOVE ROOF FOR PROPER FIT AND FUNCTION.
5. SEAL AROUND SHOWER WITH SILICONE.
  4. ALL EXTERIOR OPENINGS AROUND PIPE TO BE SEALED WITH 131264-03-000.
  3. ALL PIPE AND FITTINGS TO BE ASSEMBLED WITH SOLVENT 4020-01-000 (US) 4020-01-000 (CAN).
  2. SLOPE OF TRAP ARM MUST BE 6 PER 305 mm.
  1. SLOPE OF HORIZONTAL PIPING TO BE MIN 3 PER 305 mm.

NOTES:

<b>WINNEBAGO</b>		COPYRIGHT 2005 WINNEBAGO INDUSTRIES, INC.	
DFTR	ORIG. DATE	ALL DIMENSIONS ARE IN MILLIMETERS	
CHKR		FIRST USED	
P.E.		05 G37B	
M.E.		UNSPECIFIED TOLERANCES ARE:	
DSNR		MATERIAL:	
		WHOLE DIM (X)	: 7
		ONE-PLACE (X.X)	:
		TWO-PLACE (X.XX)	:
		ANGLE	:
THIRD ANGLE PROJECTION		DO NOT SCALE DRAWING	
		TITLE: DRAINAGE SYSTEM INSTL	
		SHEET 1 OF 3	PART NO 150502

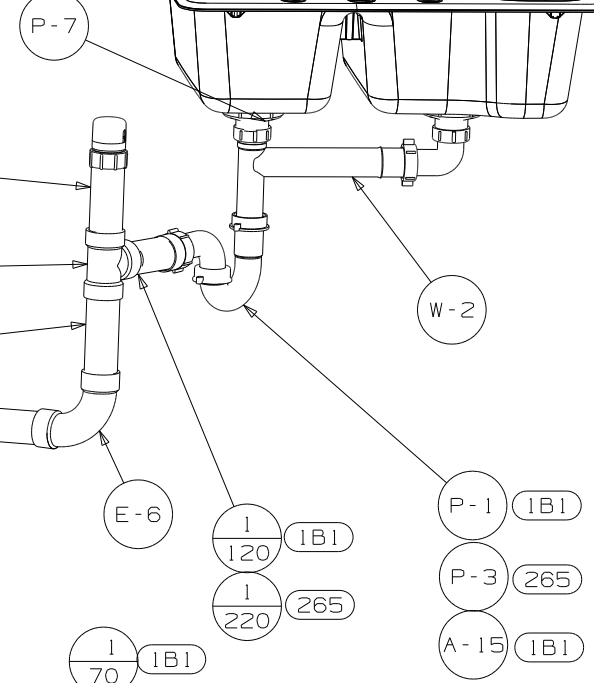
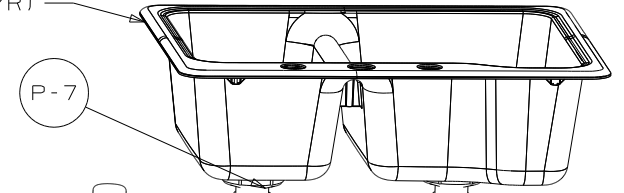
(X-X)  
FOR  
DRAINAGE  
CALLOUTS  
SEE DWG NO  
116229-01-000

- SINK-SMC, DBL L/S BASIN
- 148870-01-CHT (US/CAN)
- STRAINER
- 92303-01-000 (2)
- ANGLE
- 140002-01-CHT (10)
- SCREW
- G67-01-08B (8)
- WASHER
- 127440-02-CHT (2)
- SEAL (A/R)



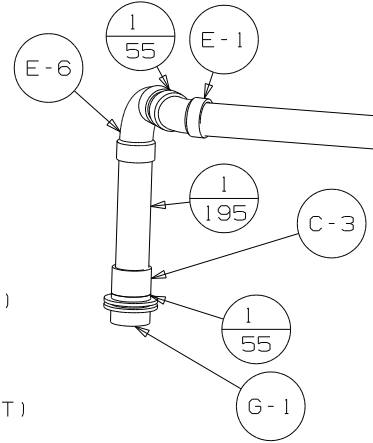
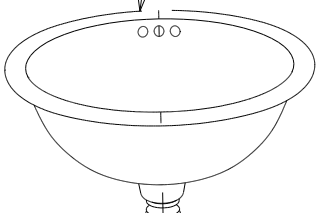
- TOILET
- 136729-01-CHT (WIN 43M)
- 152830-01-CHT (ITA 43Q)
- SCREW
- 87721-01-000 (8)

VIEW B



VIEW C

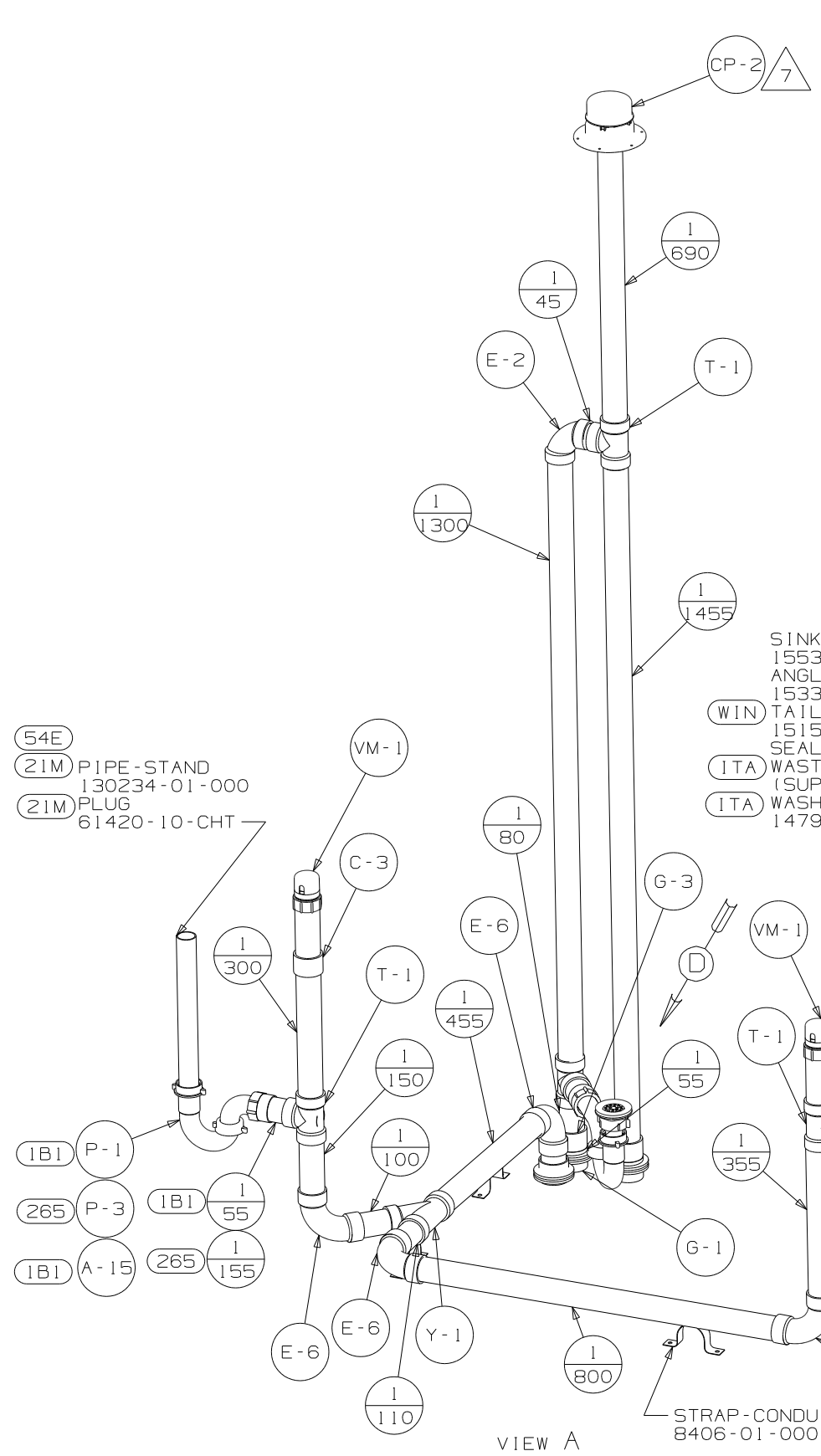
- SINK-LAV
- 155318-01-CHT
- ANGLE
- 153338-02-CHT (10)
- TAILPIECE
- 151556-01-CHT
- SEAL (A/R)
- WASTE ASM (SUPPLIED W/FAUCET)
- WASHER FOAM
- 147930-01-000



VIEW D

- SHOWER INSTL
- 147869-05-000
- STRAINER
- 66440-01-000
- SHOWER TAILPIECE
- 11069-06-000
- NUT
- 130403-01-000
- WASHER
- 127440-02-CHT

- 54E
- 21M PIPE-STAND 130234-01-000
- 21M PLUG 61420-10-CHT

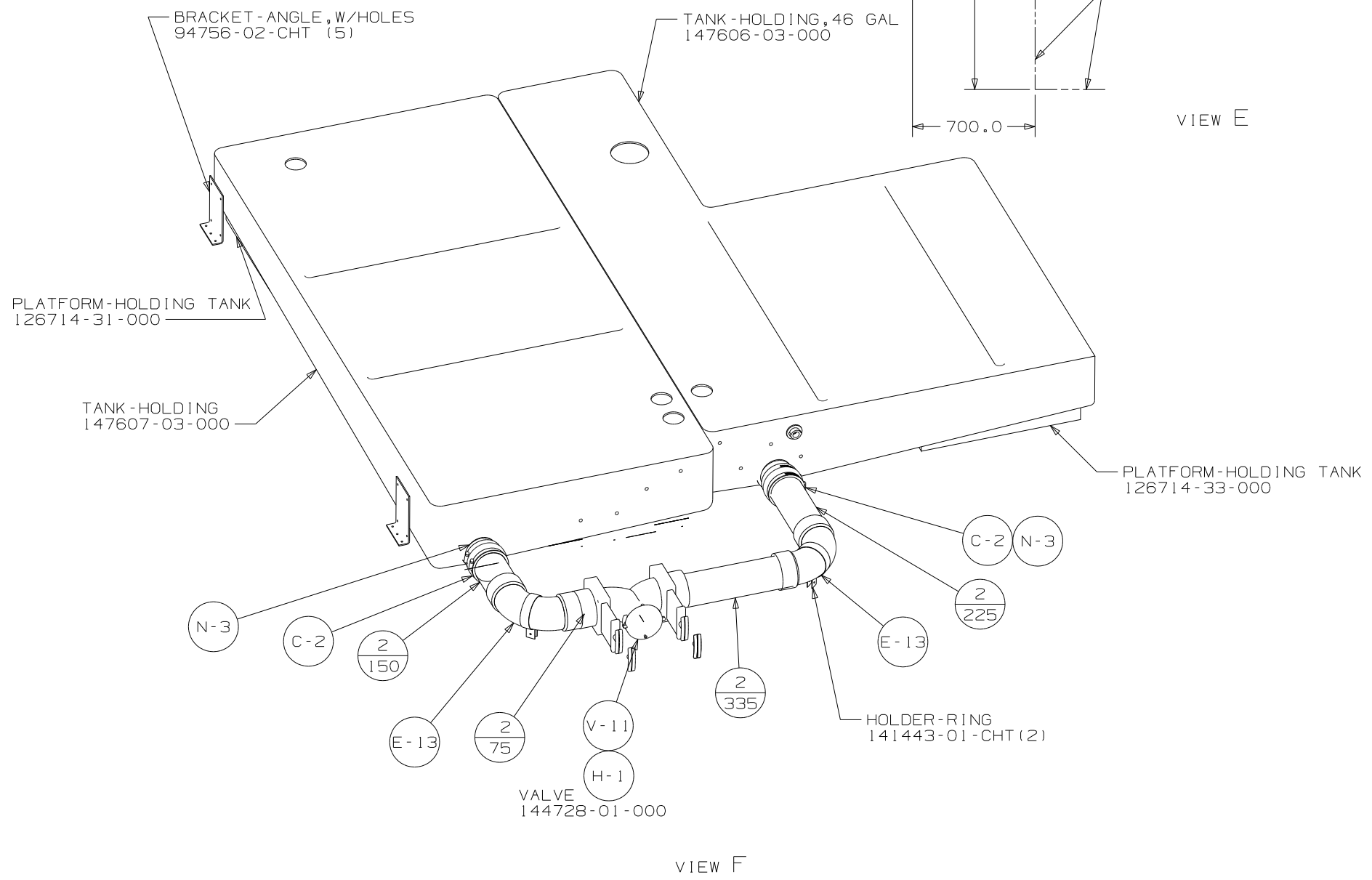
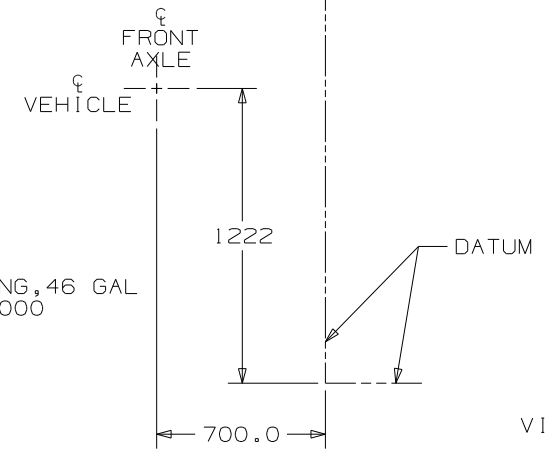
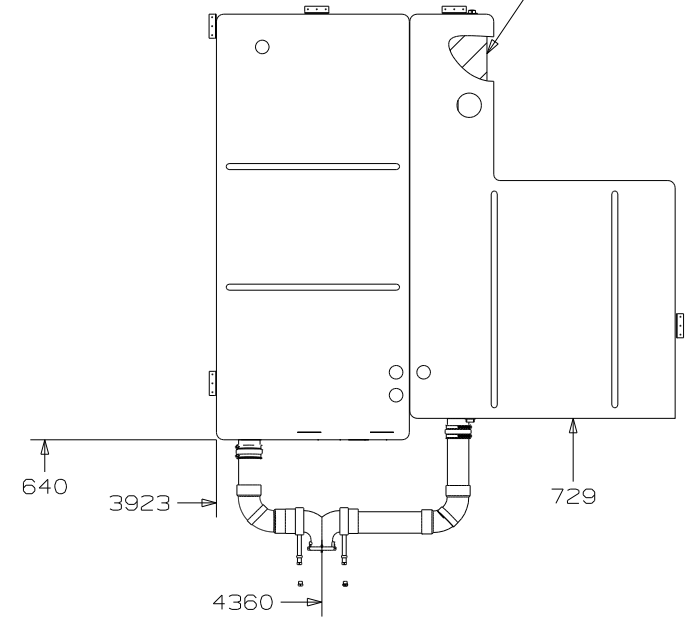


VIEW A

- STRAP-CONDUIT, 2"
- 8406-01-000 (3)

FIRST USED	05 G37B
DO NOT SCALE DRAWING	
TITLE	DRAINAGE SYSTEM INSTL
SHEET 2	PART NO 150502

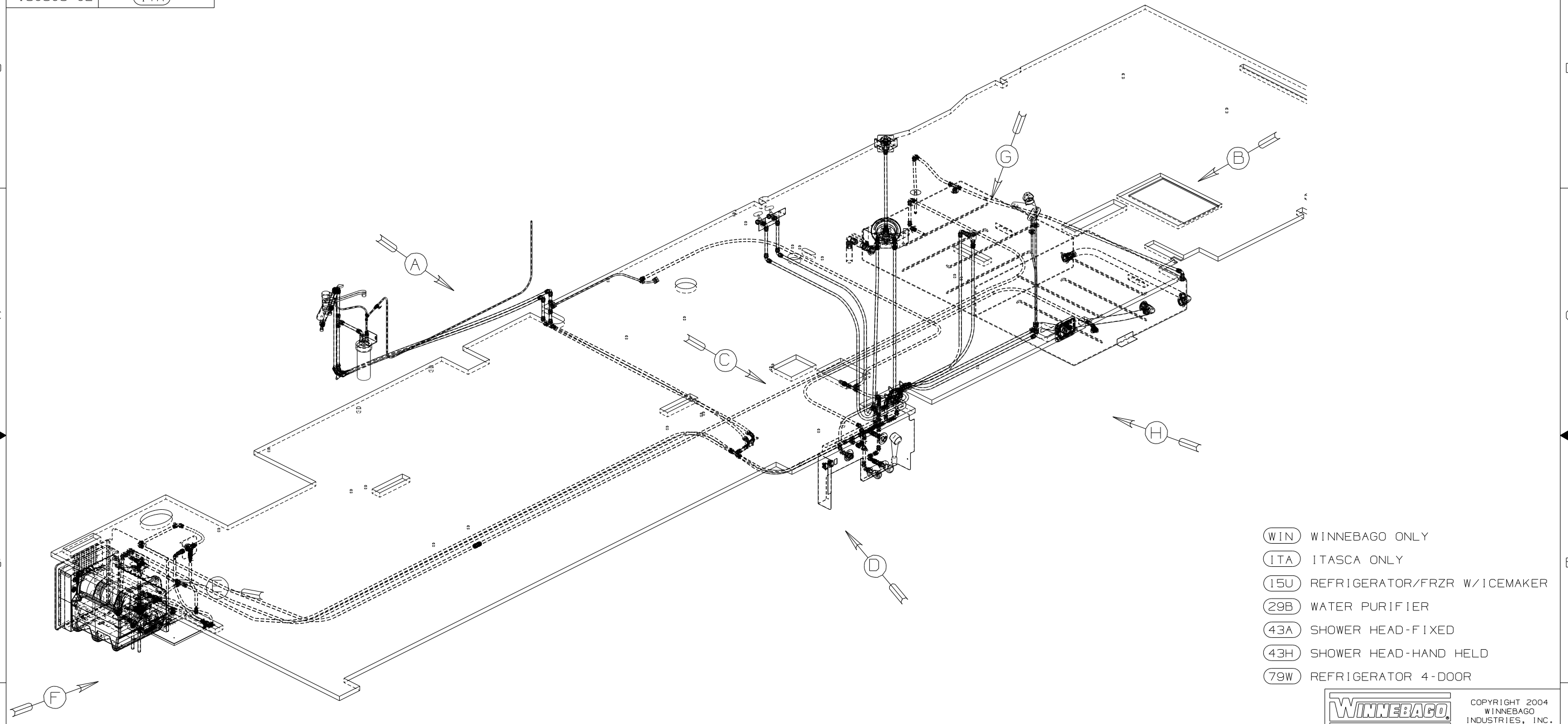
PLATFORM  
126714-32-000



FIRST USED	05 G37B
TITLE	DO NOT SCALE DRAWING DRAINAGE SYSTEM INSTL
SHEET 3	PART NO 150502

DWG NO	---
150508-01	(WIN)
150508-02	(ITA)

RELEASE	REV DATE	DWG NO
A		150508
REV ZONE	REVISION RECORD	DATE DFR-ORIG

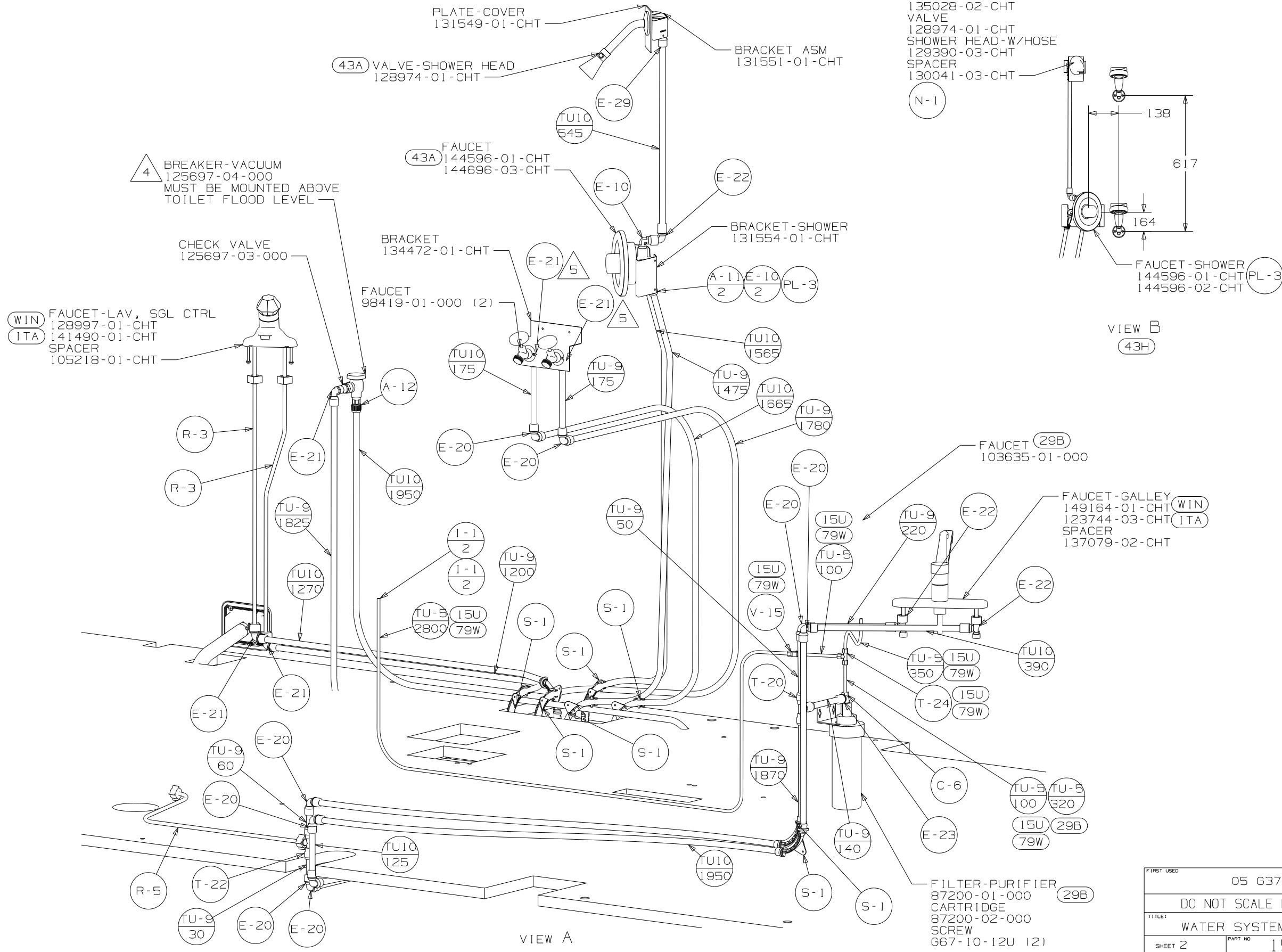


- (WIN) WINNEBAGO ONLY
- (ITA) ITASCA ONLY
- (15U) REFRIGERATOR/FRZR W/ICEMAKER
- (29B) WATER PURIFIER
- (43A) SHOWER HEAD-FIXED
- (43H) SHOWER HEAD-HAND HELD
- (79W) REFRIGERATOR 4-DOOR

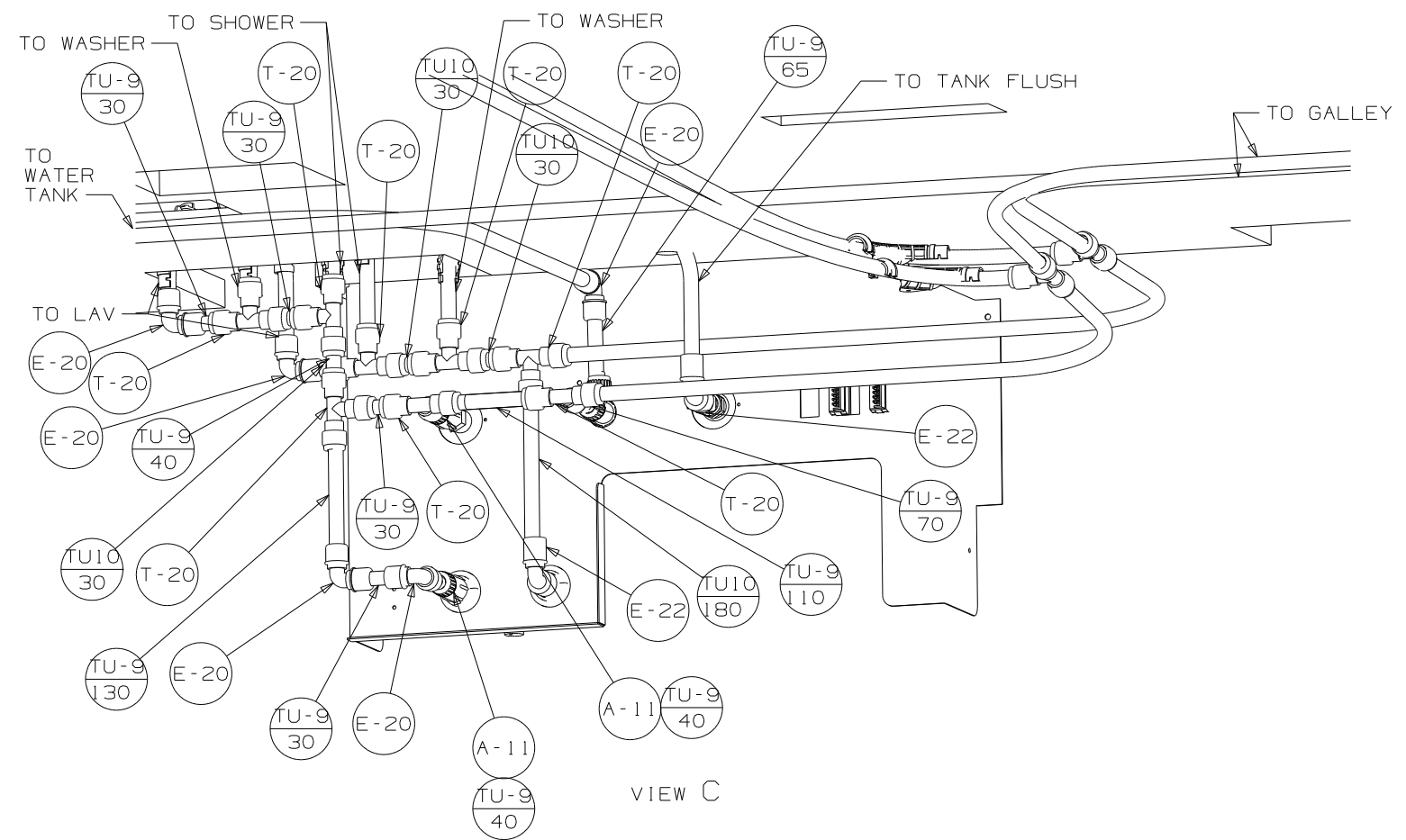
- NOTES:
- 6 ADD TEFLON TAPE 10405-01-000.
  - 5 ADD TEFLON TAPE 10405-02-000.
  - 4 FLUSHING SYSTEM REQUIRES 125697-06-000 INSTRUCTION SHEET.
  - 3. ALL TUBING TO BE SECURED AT 1200 INTERVALS MAXIMUM WITH CLAMP 10495-01-000 OR CLIP 9151-01-000 AND SCREW G67-10-12B.
  - 2. TUBING TO BE INSTALLED WITH SUFFICIENT SLOPE TO PROVIDE DRAINAGE TO NEAREST VALVE.
  - 1. PLASTIC FITTINGS TO BE SEALED WITH SEALANT 84456-01-000.

(X-X)  
FOR WATER CALLOUTS SEE DWG NO 116230-01-000

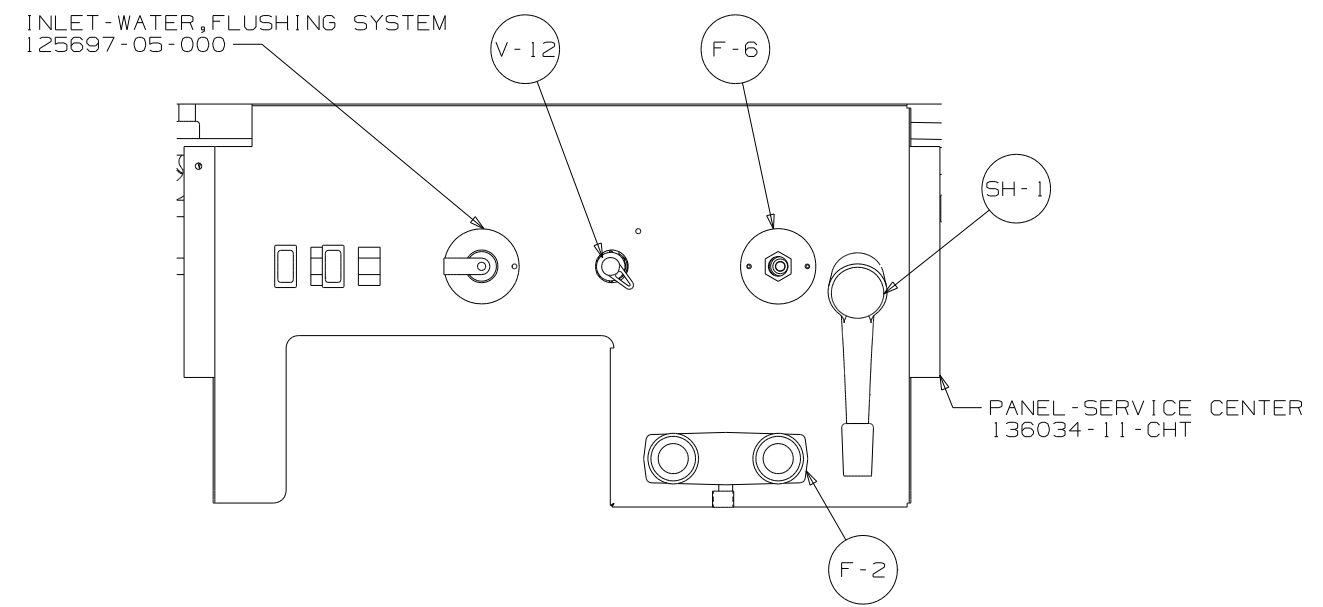
<b>WINNEBAGO</b>		COPYRIGHT 2004 WINNEBAGO INDUSTRIES, INC.	
DFTR	ORIG. DATE	ALL DIMENSIONS ARE IN MILLIMETERS	
CHKR		MATERIAL:	
P.E.		UNSPECIFIED TOLERANCES ARE:	
M.E.	FIRST USED	HOLE DIM (X) : 7	
DSNR	05 G37B	ONE-PLACE (X.X) :	
		TWO-PLACE (X.XX) :	
		ANGLE :	
THIRD ANGLE PROJECTION			
DO NOT SCALE DRAWING			
TITLE: WATER SYSTEM INSTL			
SHEET 1 OF 4	PART NO	150508	



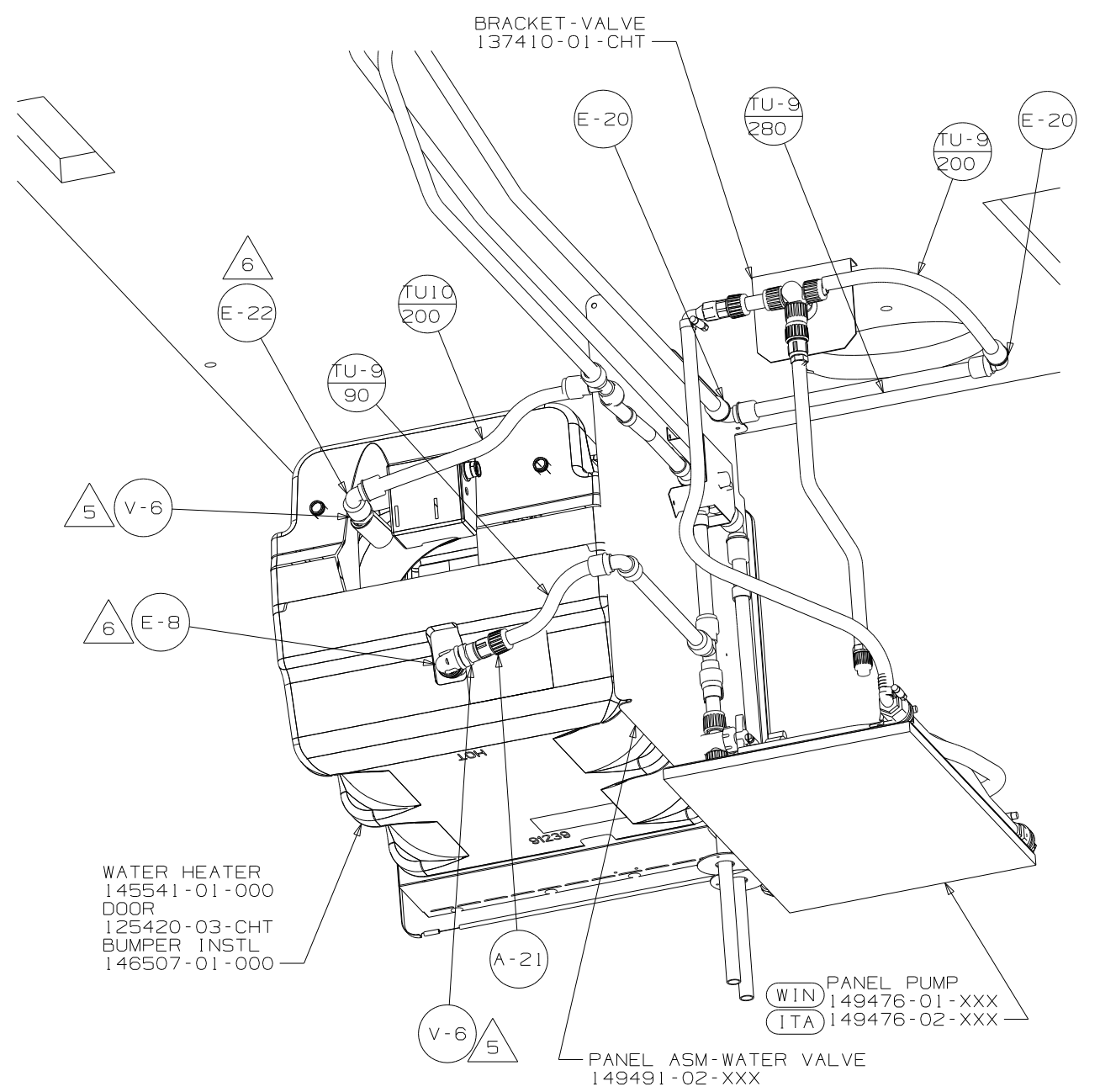
FIRST USED	05 G37B
TITLE	DO NOT SCALE DRAWING
SHEET 2	PART NO 150508
1 8/19/2004	



VIEW C

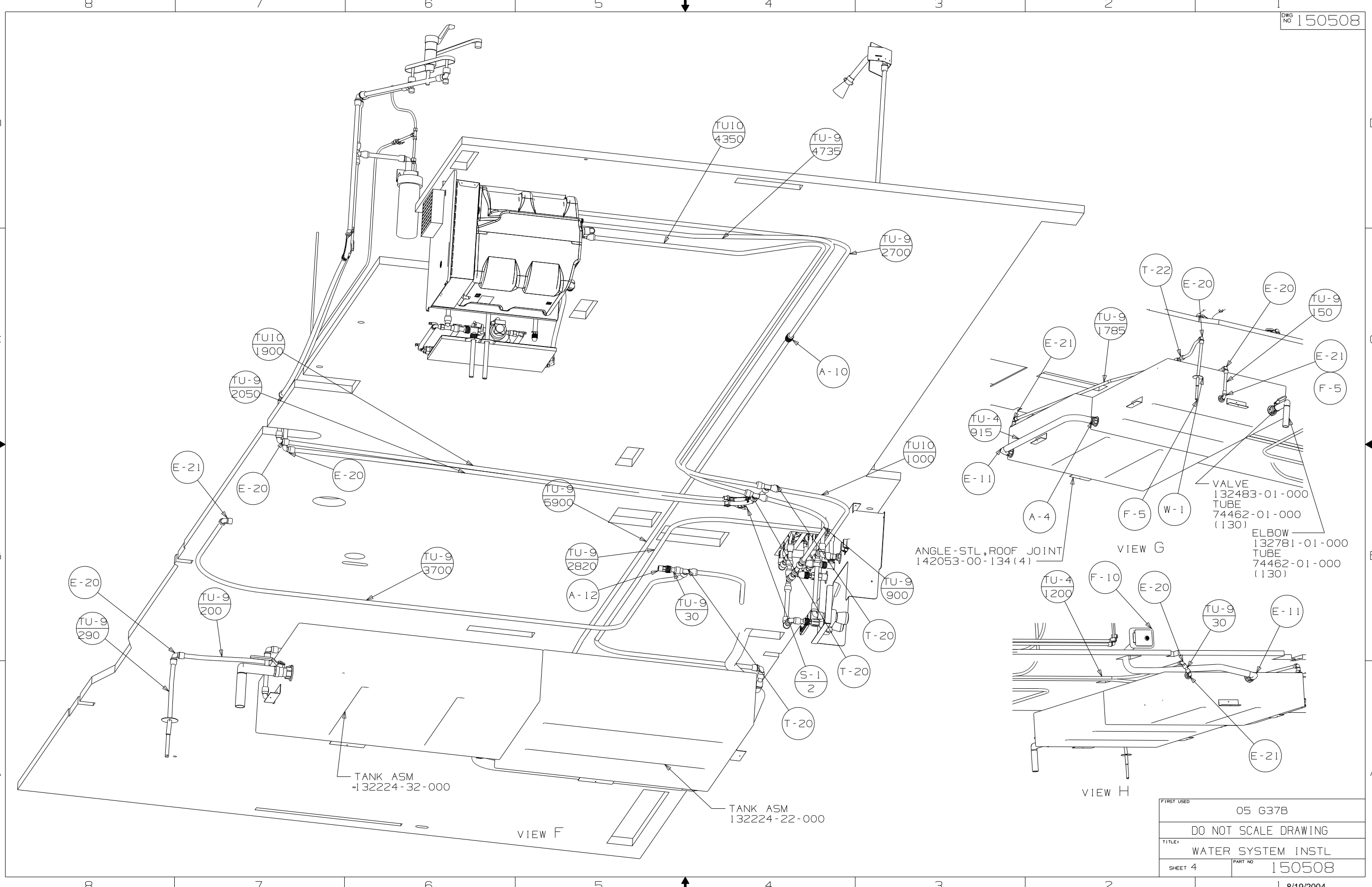


VIEW D



VIEW E

FIRST USED	05 G37B
TITLE	DO NOT SCALE DRAWING
TITLE	WATER SYSTEM INSTL
SHEET 3	PART NO 150508



FIRST USED	05 G37B
DO NOT SCALE DRAWING	
TITLE	WATER SYSTEM INSTL
SHEET 4	PART NO 150508