



DANGER

Danger of electrical shock, burns or death. Always remove all power sources before attempting any repair, service or diagnostic work. Power can be present from shore power, generator, inverter or battery. All power sources must be disabled and secured before performing any service.

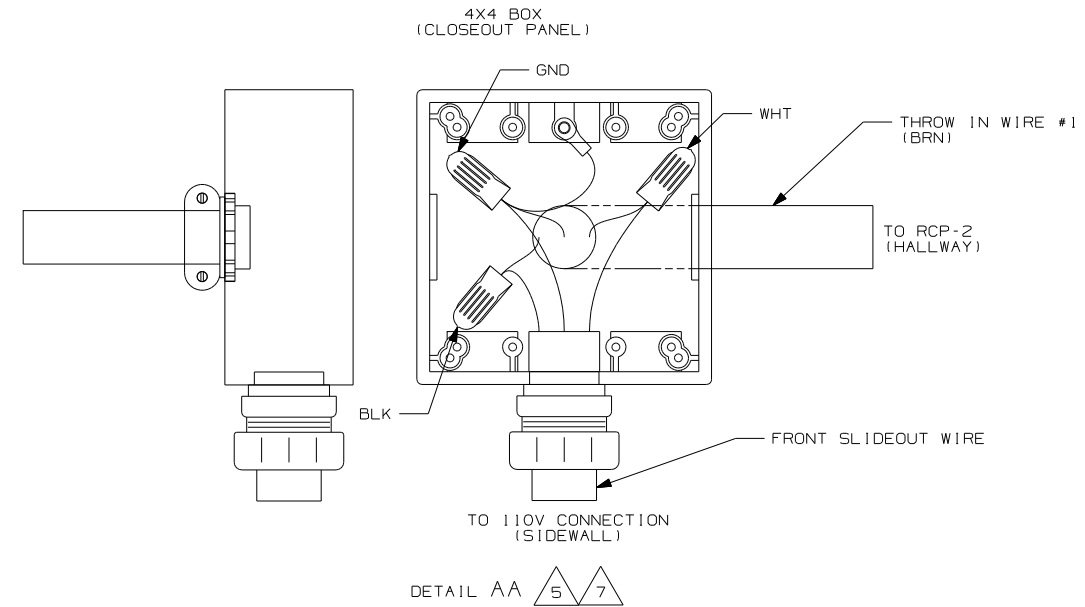
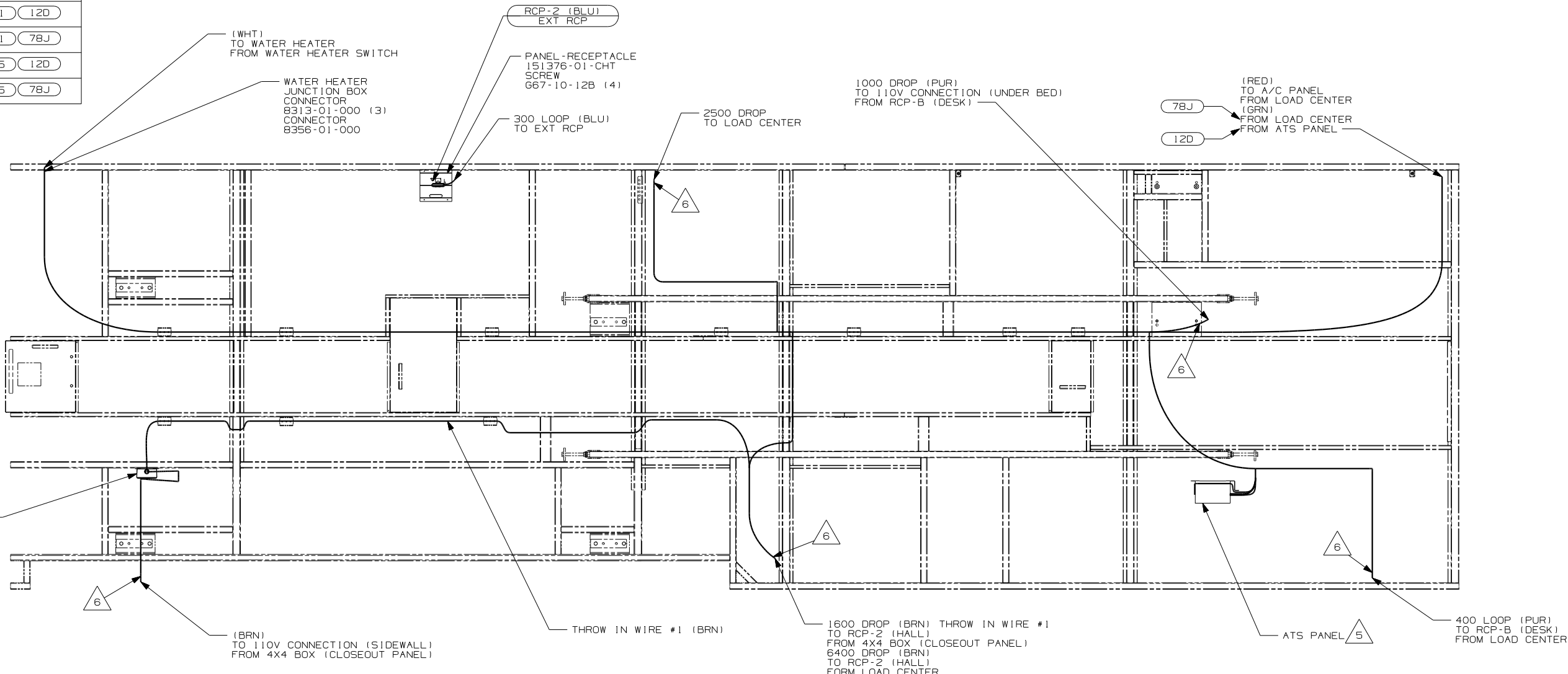


CAUTION

If you lack the skills, tools or equipment to perform diagnostic or repair work leave such work to an authorized Winnebago Industries dealer or other qualified shop.

DRAWING NO.	FEATURE
150457-01	-----
150457-11	(1B1) (12D)
150457-12	(1B1) (78J)
150457-15	(265) (12D)
150457-16	(265) (78J)

RELEASE	REV/DATE	DWG NO
	A	150457
REV ZONE	REVISION RECORD	DATE
		DFT-0016



- (78J) ELECTRICAL SYSTEM - 50 AMP
- (12D) ELECTRICAL SYSTEM - 30 AMP
- (265) CODES/STANDARDS-CSA/CMVSS
- (1B1) CODES/STANDARDS USA
- (12D) (1B1) (265) (78J)

- NOTES:
- ALL WIRES TO BE SECURED WITH CLAMP 10495-01-000 OR CLIP 80734-01-000 EVERY 600MM. USE SCREW 667-10-12B UNLESS OTHERWISE SPECIFIED.
 - ALL 110V WIRE TO BE CLAMPED WITH CLAMP 10497-05-000 WITHIN 200 OF OUTLET BOXES, USE SCREW 667-10-12B.
 - ALL GROUND WIRE TO BE COVERED WITH TUBING 8041-02-000.
 - FOR MORE INFORMATION SEE WIRING DIAGRAM-BODY,110V.
 - FOR MORE INFORMATION SEE LOAD CENTER/ATS ASM.
 - WIRE PASSES THROUGH FLOOR AT THIS POINT.
 - MOUNT 4X4 BOX ON CLOSEOUT PANEL OVER HOLE.

FOR ELECTRICAL TORQUE SPECIFICATIONS SEE DWG NO. 128783-01-000

(X-X) FOR ELECTRICAL CALLOUTS SEE DWG NO. 121339-01-000

WINNEBAGO COPYRIGHT 2004 WINNEBAGO INDUSTRIES, INC.

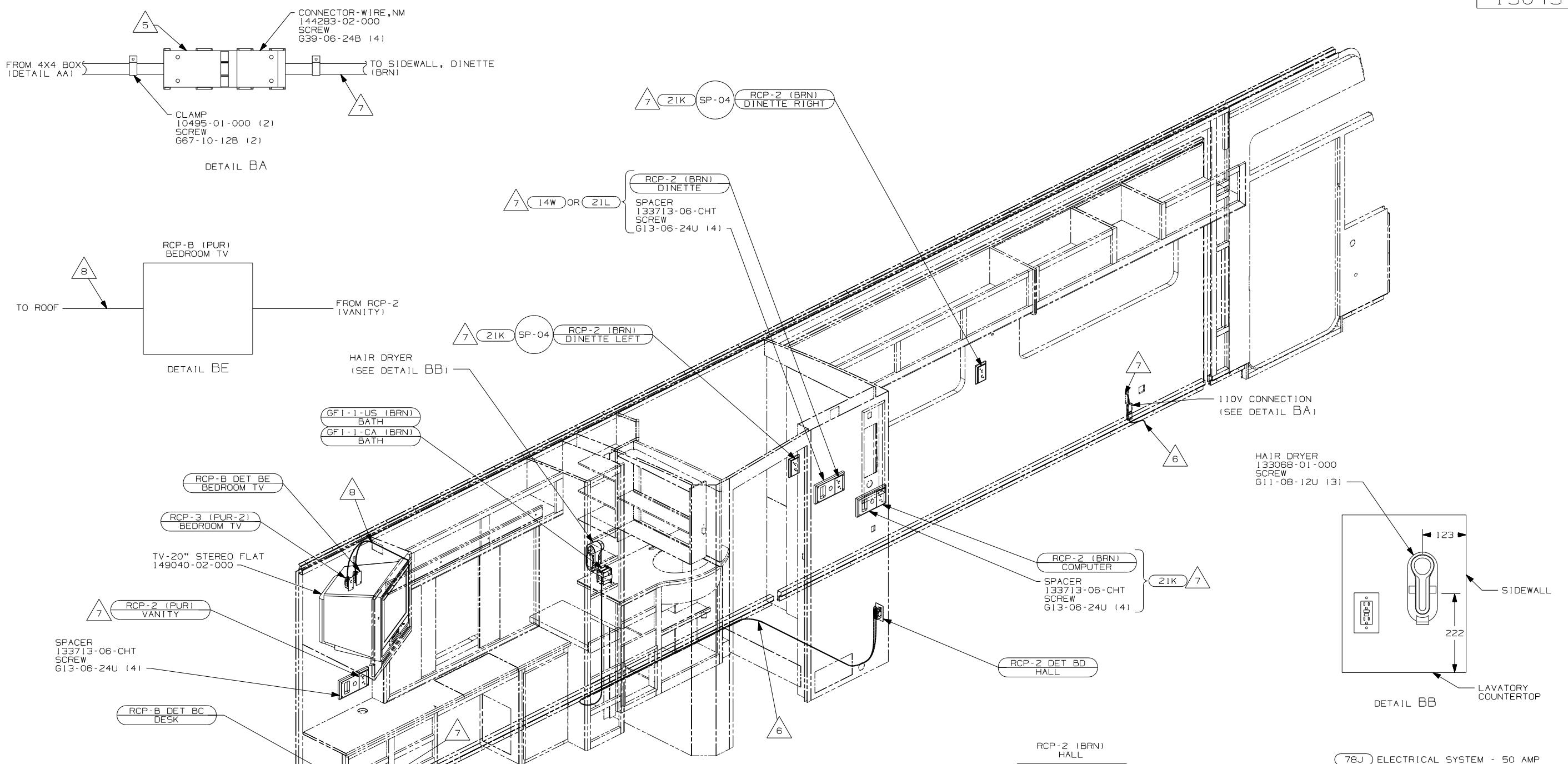
DFT	ORIG. DATE
CHKR	ALL DIMENSIONS ARE IN MILLIMETERS
P.E.	FIRST USED
M.E.	05 G35U
DSNR	
UNSPECIFIED TOLERANCES ARE:	MATERIAL:
HOLE DIM (X) :	
ONE-PLACE (X.X) :	
TWO-PLACE (X.XX) :	
ANGLE :	
THIRD ANGLE PROJECTION	

DO NOT SCALE DRAWING

TITLE: WIRING INSTL-BODY,110V

SHEET 1 of 4 PART NO 150457

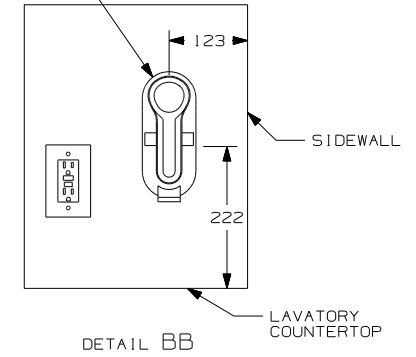
REF:145419 1 10/4/2004



- 8 WIRE IN ROOF.
- 7 WIRE IN SIDEWALL.
- 6 WIRE ROUTED THROUGH FLOOR AT THIS POINT.
- 5 FOR MORE INFORMATION SEE LOAD CENTER/ATS ASM.

4. FOR MORE INFORMATION SEE WIRING DIAGRAM-BODY, 110V.
3. ALL GROUND WIRE TO BE COVERED WITH TUBING 8041-02-000.
2. ALL 110V WIRE TO BE CLAMPED WITH CLAMP 10497-05-000 WITHIN 200MM OF OUTLET BOXES, USE SCREW 667-10-12B.
1. ALL WIRES TO BE SECURED WITH CLAMP 10495-01-000 OR CLIP 80734-01-000 EVERY 600MM. USE SCREW 667-10-12B UNLESS OTHERWISE SPECIFIED.

NOTES:

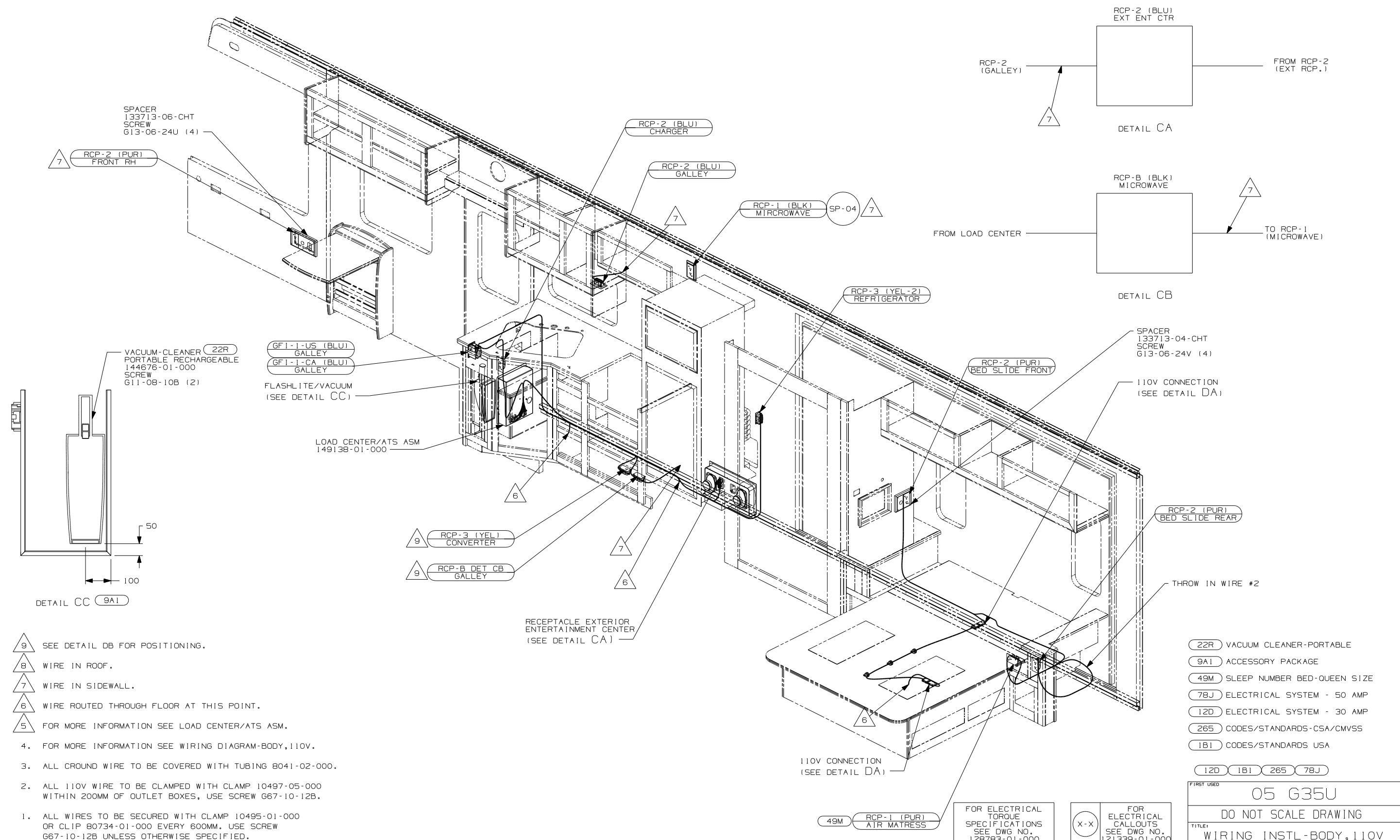


- 78J ELECTRICAL SYSTEM - 50 AMP
- 265 CODES/STANDARDS-CSA/CMVSS
- 21L DINING TABLE AND CHAIRS
- 21K DINING/COMPUTER TABLE & CHAIRS
- 1B1 CODES/STANDARDS USA
- 14W DINETTE
- 12D ELECTRICAL SYSTEM - 30 AMP

FIRST USED	05 G35U
DO NOT SCALE DRAWING	
TITLE: WIRING INSTL-BODY, 110V	
SHEET 2	PART NO 150457

FOR ELECTRICAL TORQUE SPECIFICATIONS SEE DWG NO. 128783-01-000

X-X FOR ELECTRICAL CALLOUTS SEE DWG NO. 121339-01-000



- 9 SEE DETAIL DB FOR POSITIONING.
 8 WIRE IN ROOF.
 7 WIRE IN SIDEWALL.
 6 WIRE ROUTED THROUGH FLOOR AT THIS POINT.
 5 FOR MORE INFORMATION SEE LOAD CENTER/ATS ASM.
 4. FOR MORE INFORMATION SEE WIRING DIAGRAM-BODY,110V.
 3. ALL GROUND WIRE TO BE COVERED WITH TUBING 8041-02-000.
 2. ALL 110V WIRE TO BE CLAMPED WITH CLAMP 10497-05-000 WITHIN 200MM OF OUTLET BOXES, USE SCREW G67-10-12B.
 1. ALL WIRES TO BE SECURED WITH CLAMP 10495-01-000 OR CLIP 80734-01-000 EVERY 600MM. USE SCREW G67-10-12B UNLESS OTHERWISE SPECIFIED.

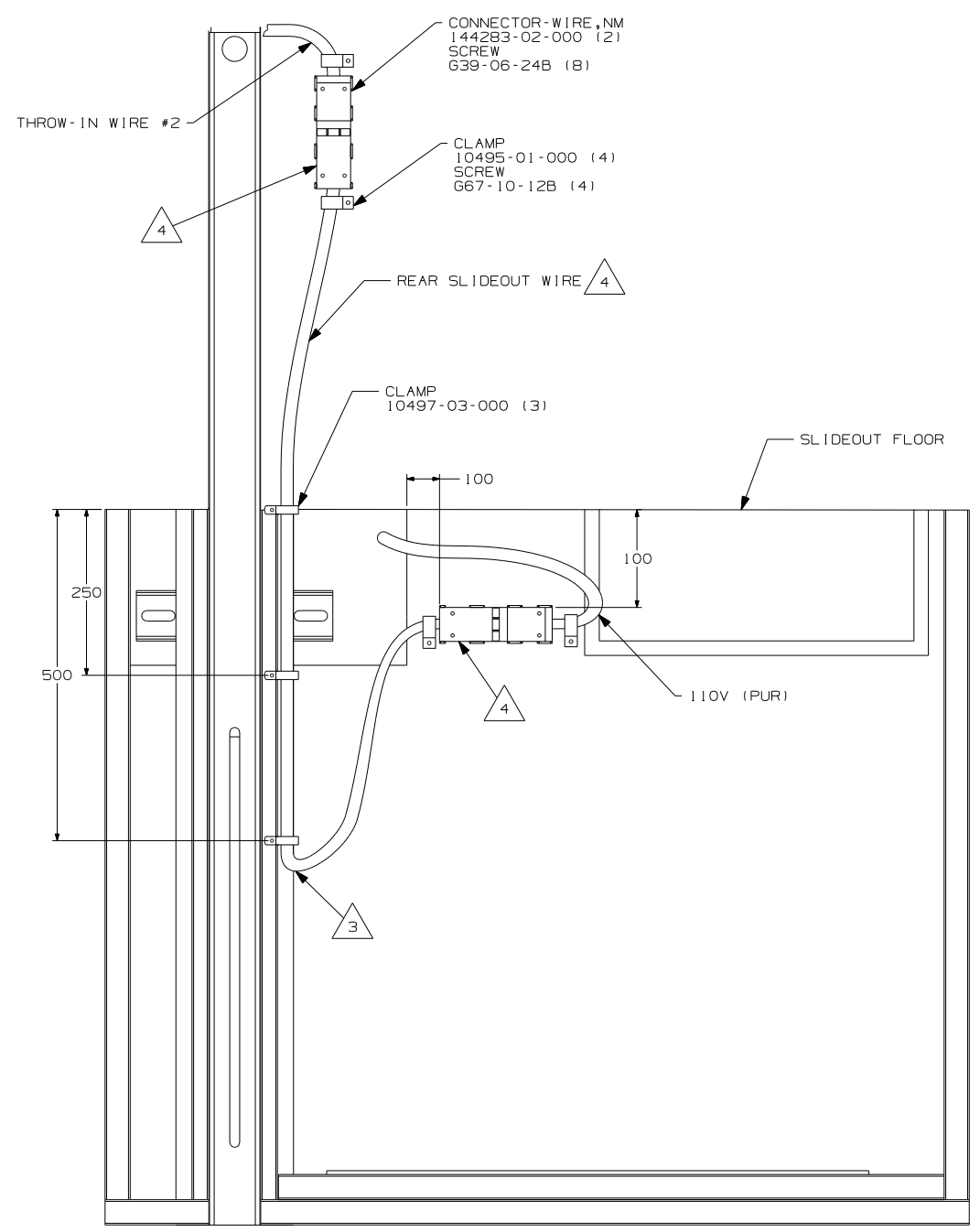
NOTES:

- 22R VACUUM CLEANER-PORTABLE
- 9A1 ACCESSORY PACKAGE
- 49M SLEEP NUMBER BED-QUEEN SIZE
- 78J ELECTRICAL SYSTEM - 50 AMP
- 12D ELECTRICAL SYSTEM - 30 AMP
- 265 CODES/STANDARDS-CSA/CMVSS
- 1B1 CODES/STANDARDS USA

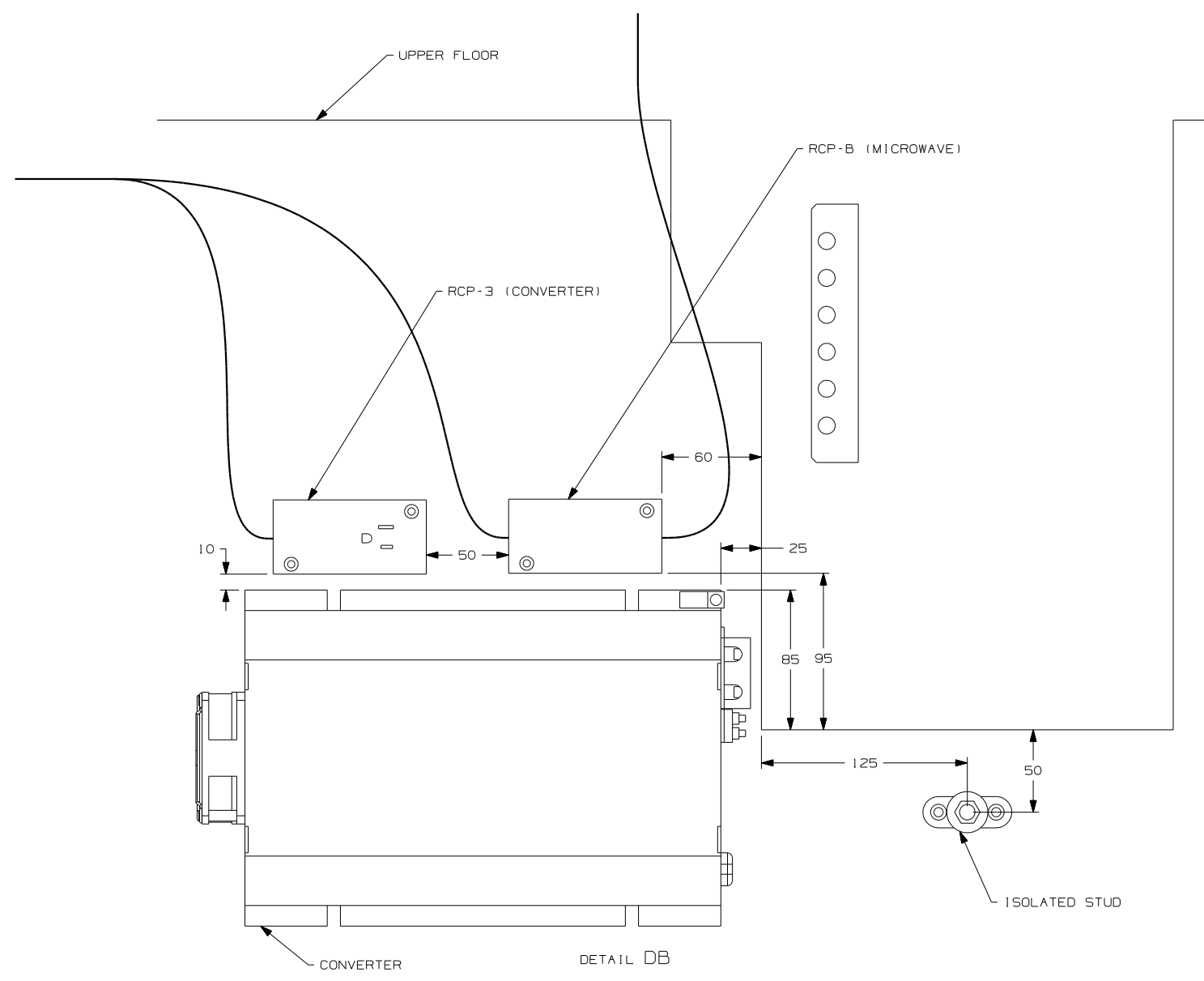
FIRST USED	
05 G35U	
DO NOT SCALE DRAWING	
TITLE: WIRING INSTL-BODY, 110V	
SHEET 3	PART NO 150457

FOR ELECTRICAL TORQUE SPECIFICATIONS SEE DWG NO. 128783-01-000

FOR ELECTRICAL CALLOUTS SEE DWG NO. 121339-01-000



DETAIL DA



DETAIL DB

- FOR MORE INFORMATION SEE LOAD CENTER/ATS ASM.
- MAKE THE LOOP AS SMALL AS POSSIBLE WHEN SLIDEOUT IS COMPLETELY RETRACTED.
2. RUN 12V WIRE ALONG WITH REAR SLIDEOUT WIRE.
1. WIRE MUST BE ROUTED THROUGH CLAMPS AS SHOWN.

NOTES:

- ELECTRICAL SYSTEM - 50 AMP
- ELECTRICAL SYSTEM - 30 AMP
- CODES/STANDARDS - CSA/CMVSS
- CODES/STANDARDS - USA

FIRST USED	05 G35U
TITLE	DO NOT SCALE DRAWING
TITLE	WIRING INSTL-BODY, 110V
SHEET 4	PART NO 150457

FOR ELECTRICAL TORQUE SPECIFICATIONS SEE DWG NO. 128783-01-000

FOR ELECTRICAL CALLOUTS SEE DWG NO. 121339-01-000