



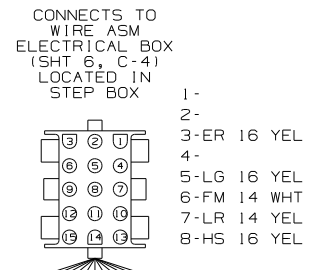
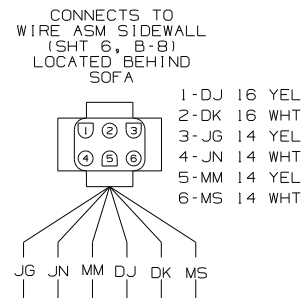
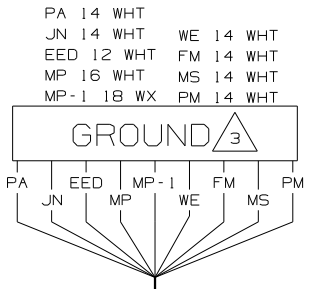
DANGER

Danger of electrical shock, burns or death. Always remove all power sources before attempting any repair, service or diagnostic work. Power can be present from shore power, generator, inverter or battery. All power sources must be disabled and secured before performing any service.

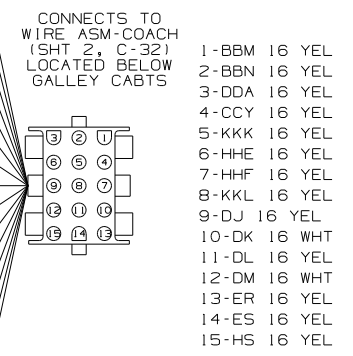
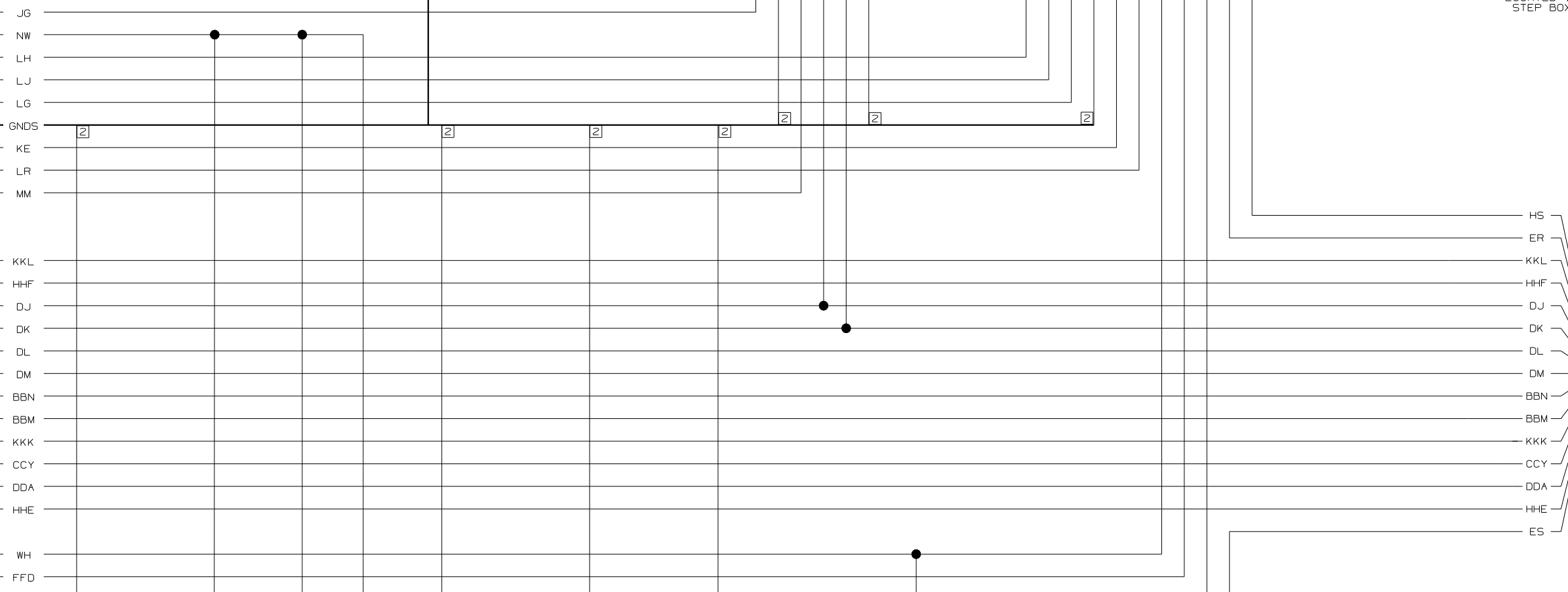
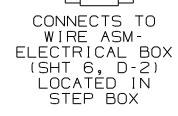
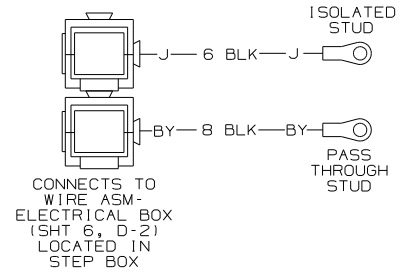


CAUTION

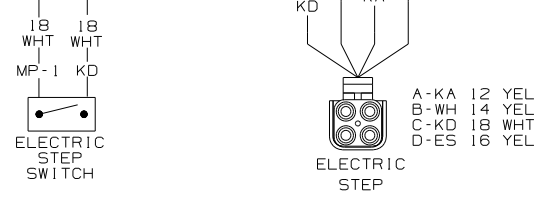
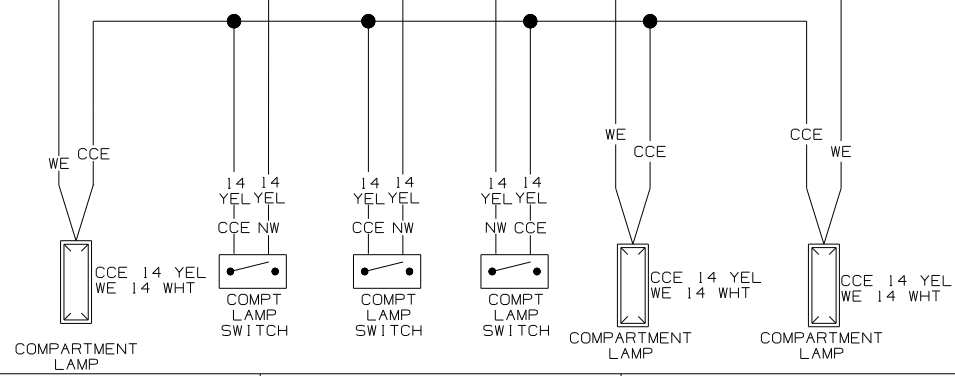
If you lack the skills, tools or equipment to perform diagnostic or repair work leave such work to an authorized Winnebago Industries dealer or other qualified shop.



- 1- 9-WH 14 YEL
- 2- 10-KE 14 YEL
- 3-ER 16 YEL
- 4- 11-LH 16 YEL
- 5-LG 16 YEL
- 6-FM 14 WHT
- 7-LR 14 YEL
- 8-HS 16 YEL
- 12- 13-LJ 16 YEL
- 14-FFD 12 YEL
- 15-KA 12 YEL



- 1-BBM 16 YEL
- 2-BBN 16 YEL
- 3-DDA 16 YEL
- 4-CCY 16 YEL
- 5-KKK 16 YEL
- 6-HHE 16 YEL
- 7-HHF 16 YEL
- 8-KKL 16 YEL
- 9-DJ 16 YEL
- 10-DK 16 WHT
- 11-DL 16 YEL
- 12-DM 16 WHT
- 13-ER 16 YEL
- 14-ES 16 YEL
- 15-HS 16 YEL

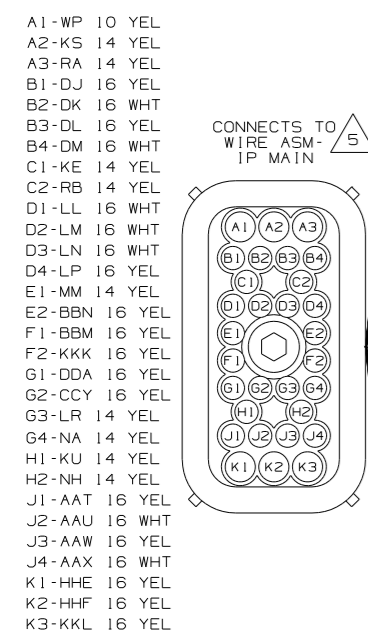
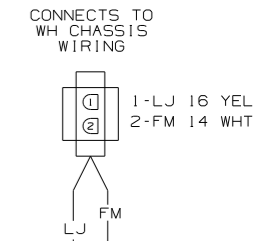
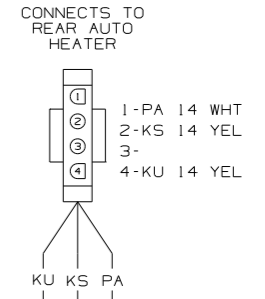
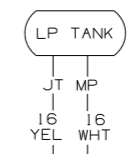
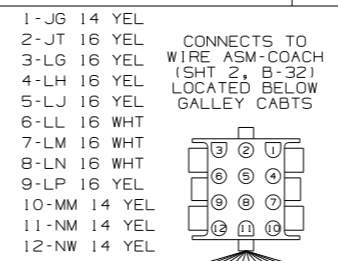
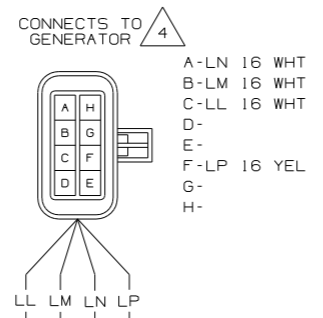


- A-KA 12 YEL
- B-WH 14 YEL
- C-KD 18 WHT
- D-ES 16 YEL

WIRING DIAGRAM-CHASSIS
 (WIRE ASM-150889 REV A)

WINNEBAGO		COPYRIGHT 2004 WINNEBAGO INDUSTRIES, INC.
DFTR	ORIG. DATE	
CHNR	ALL DIMENSIONS ARE IN MILLIMETERS	
P.E.		
M.E.	FIRST USED	05 G35U
DSNR		
UNSPECIFIED TOLERANCES ARE:		MATERIAL:
WHOLE DIM (XX)	:	
ONE-PLACE (X.X)	:	
TWO-PLACE (X.XX)	:	
ANGLE	:	
THIRD ANGLE PROJECTION		
DO NOT SCALE DRAWING		
TITLE: WIRING DIAGRAM-BODY, 12V		
SHEET 1 of 5	PART NO	150456
REF: NONE		1 6/25/2004

D
C
B
A



5 SEE WIRING DIAGRAM-AUTO FOR ADDITIONAL INFORMATION.

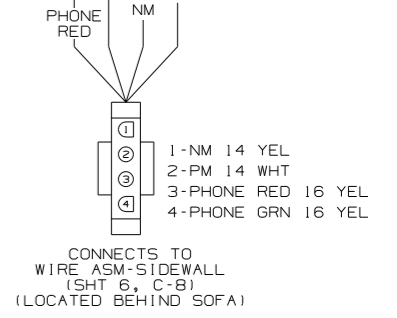
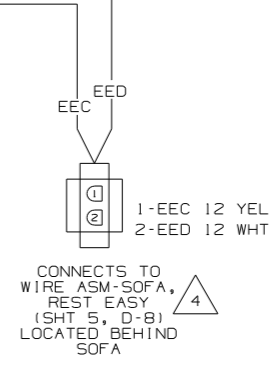
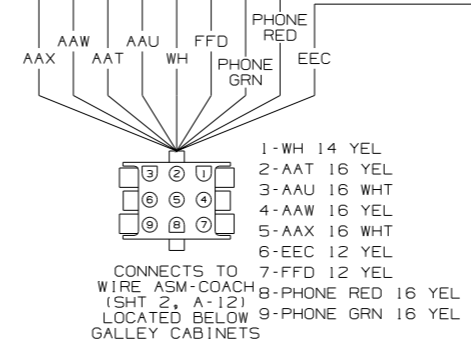
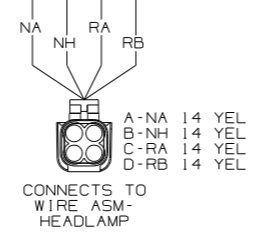
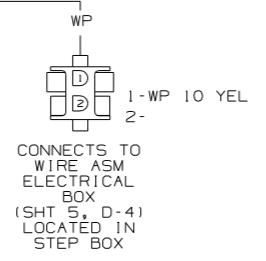
4 SEE MANUFACTURERS DIAGRAM FOR ADDITIONAL INFORMATION.

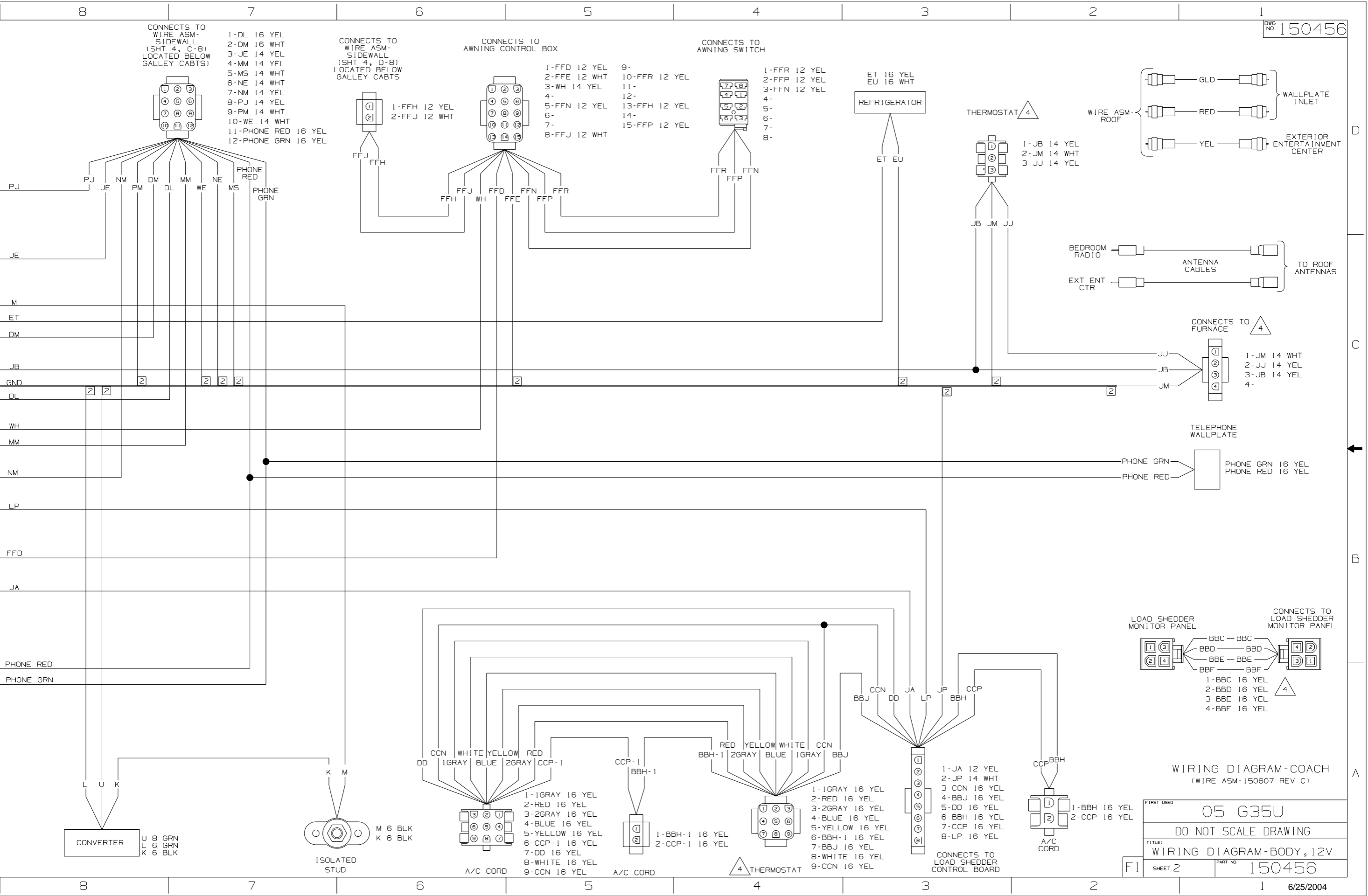
3 GROUNDS ARE SHOWN AS A SINGLE LINE FOR EASE IN TRACING. EACH GROUND CIRCUIT IS SEPERATE IN THE HARNESS.

2 NOT A SPLICE POINT. INDICATES ENTRY INTO WIRING HARNESS.

1. SPLICES ARE THEORETICAL AND MAY DIFFER IN THE HARNESS.

NOTES:





CONNECTS TO WIRE ASM-SIDEWALL (SHT 4, C-8) LOCATED BELOW GALLEY CABTS)

- 1-DL 16 YEL
- 2-DM 16 WHT
- 3-JE 14 YEL
- 4-MM 14 YEL
- 5-MS 14 WHT
- 6-NE 14 WHT
- 7-NM 14 YEL
- 8-PJ 14 YEL
- 9-PM 14 WHT
- 10-WE 14 WHT
- 11-PHONE RED 16 YEL
- 12-PHONE GRN 16 YEL

CONNECTS TO WIRE ASM-SIDEWALL (SHT 4, D-8) LOCATED BELOW GALLEY CABTS)

- 1-FFH 12 YEL
- 2-FFJ 12 WHT

CONNECTS TO AWNING CONTROL BOX

- 1-FFD 12 YEL
- 2-FFE 12 WHT
- 3-WH 14 YEL
- 4-
- 5-FFN 12 YEL
- 6-
- 7-FFJ 12 WHT
- 8-FFJ 12 WHT
- 9-
- 10-FFR 12 YEL
- 11-
- 12-
- 13-FFH 12 YEL
- 14-
- 15-FFP 12 YEL

CONNECTS TO AWNING SWITCH

- 1-FFR 12 YEL
- 2-FFP 12 YEL
- 3-FFN 12 YEL
- 4-
- 5-
- 6-
- 7-
- 8-

REFRIGERATOR

ET 16 YEL
EU 16 WHT

THERMOSTAT 4

WIRE ASM-ROOF

WALLPLATE INLET

- GLD
- RED
- YEL

EXTERIOR ENTERTAINMENT CENTER

1-JB 14 YEL
2-JM 14 WHT
3-JJ 14 YEL

BEDROOM RADIO

ANTENNA CABLES

EXT ENT CTR

TO ROOF ANTENNAS

CONNECTS TO FURNACE 4

1-JM 14 WHT
2-JJ 14 YEL
3-JB 14 YEL
4-

TELEPHONE WALLPLATE

PHONE GRN 16 YEL
PHONE RED 16 YEL

LOAD SHEDDER MONITOR PANEL

BBC-BBC
BBD-BBD
BBE-BBE
BBF-BBF

1-BBC 16 YEL
2-BBD 16 YEL
3-BBE 16 YEL
4-BBF 16 YEL

CONNECTS TO LOAD SHEDDER MONITOR PANEL

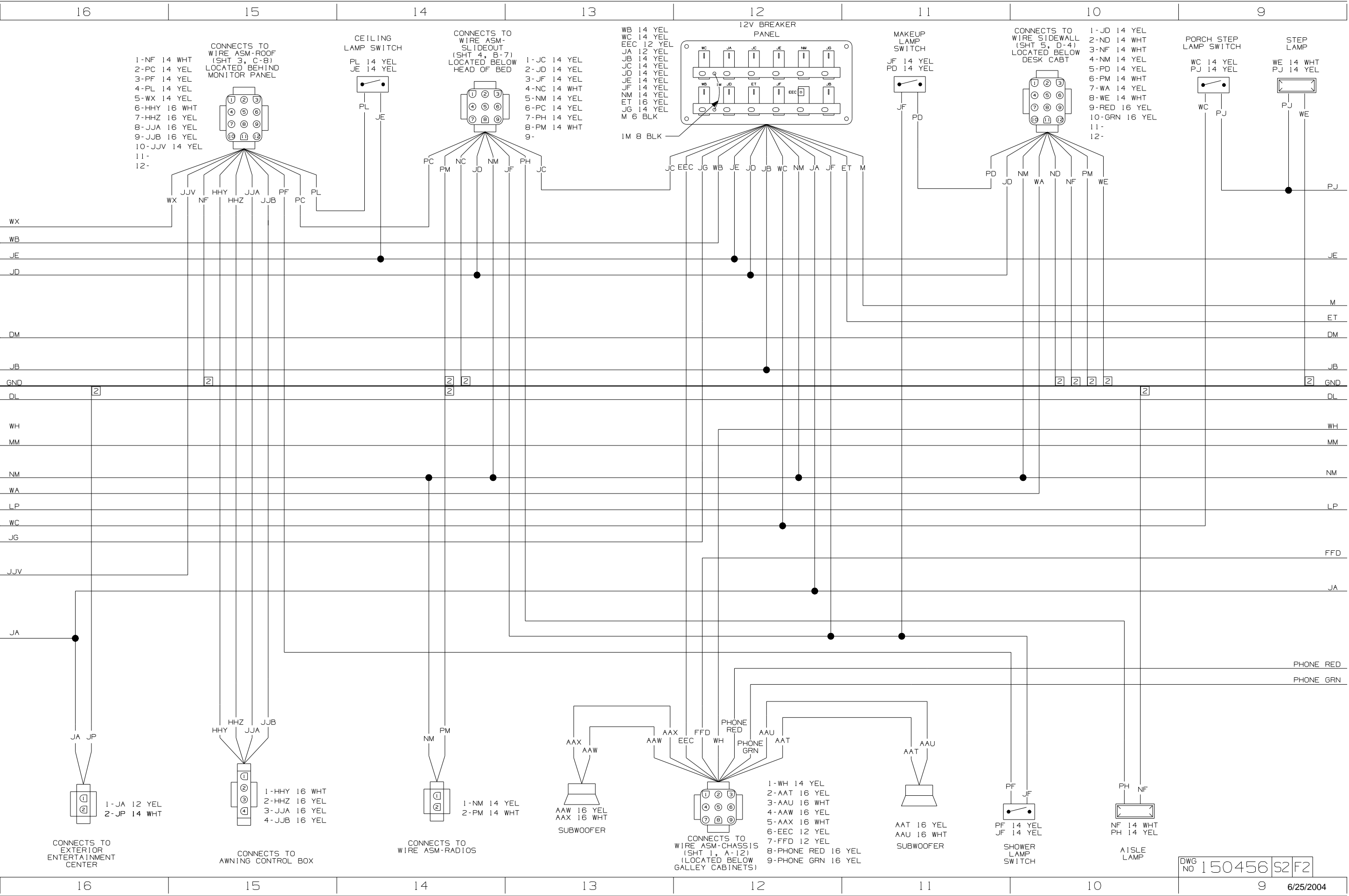
WIRING DIAGRAM-COACH (WIRE ASM-150607 REV C)

05 G35U

DO NOT SCALE DRAWING

WIRING DIAGRAM-BODY, 12V

SHEET 2 PART NO 150456



16

15

14

13

12

11

10

9

CONNECTS TO WIRE ASM-ROOF (SHT 3, C-8) LOCATED BEHIND MONITOR PANEL

1-NF 14 WHT
2-PC 14 YEL
3-PF 14 YEL
4-PL 14 YEL
5-WX 14 YEL
6-HHY 16 WHT
7-HHZ 16 YEL
8-JJA 16 YEL
9-JJB 16 YEL
10-JJV 14 YEL
11-
12-

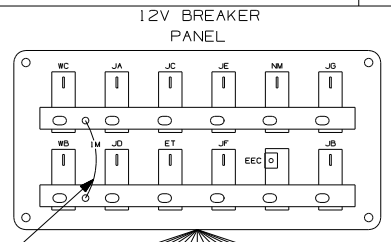
CEILING LAMP SWITCH

PL 14 YEL
JE 14 YEL

CONNECTS TO WIRE ASM-SLIDEOUT (SHT 4, B-7) LOCATED BELOW HEAD OF BED

1-JC 14 YEL
2-JD 14 YEL
3-JF 14 YEL
4-NC 14 WHT
5-NM 14 YEL
6-PC 14 YEL
7-PH 14 YEL
8-PM 14 WHT
9-

WB 14 YEL
WC 14 YEL
EEC 12 YEL
JA 12 YEL
JB 14 YEL
JC 14 YEL
JD 14 YEL
JE 14 YEL
JF 14 YEL
JM 14 YEL
NM 14 YEL
ET 16 YEL
JG 14 YEL
M 6 BLK



MAKEUP LAMP SWITCH

JF 14 YEL
PD 14 YEL

CONNECTS TO WIRE SIDEWALL (SHT 5, D-4) LOCATED BELOW DESK CABT

1-JD 14 YEL
2-ND 14 WHT
3-NF 14 WHT
4-NM 14 YEL
5-PD 14 YEL
6-PM 14 WHT
7-WA 14 YEL
8-WE 14 WHT
9-RED 16 YEL
10-GRN 16 YEL
11-
12-

PORCH STEP LAMP SWITCH

WC 14 YEL
PJ 14 YEL

STEP LAMP

WE 14 WHT
PJ 14 YEL

WX

WB

JE

JD

DM

JB

GND

DL

WH

MM

NM

WA

LP

WC

JG

JJV

JA

PHONE RED

PHONE GRN

1-JA 12 YEL

2-JP 14 WHT

1-HHY 16 WHT
2-HHZ 16 YEL
3-JJA 16 YEL
4-JJB 16 YEL

1-NM 14 YEL
2-PM 14 WHT

AAW 16 YEL
AAX 16 WHT
SUBWOOFER

CONNECTS TO WIRE ASM-CHASSIS (SHT 1, A-12) LOCATED BELOW GALLEY CABINETS

1-WH 14 YEL
2-AAT 16 YEL
3-AAU 16 WHT
4-AAW 16 YEL
5-AAX 16 WHT
6-EEC 12 YEL
7-FFD 12 YEL
8-PHONE RED 16 YEL
9-PHONE GRN 16 YEL

AAT 16 YEL
AAU 16 WHT
SUBWOOFER

PF 14 YEL
JF 14 YEL
SHOWER LAMP SWITCH

NF 14 WHT
PH 14 YEL
AISLE LAMP

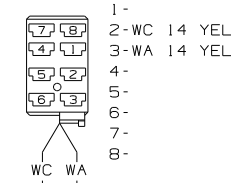
CONNECTS TO EXTERIOR ENTERTAINMENT CENTER

CONNECTS TO AWNING CONTROL BOX

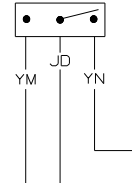
CONNECTS TO WIRE ASM-RADIOS

DWG No 150456 S2 F2

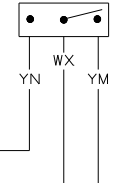
CONNECTS TO DRAINAGE COMP LAMP SWITCH



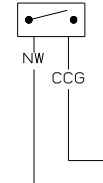
BATH/HALLWAY LAMP SWITCH
YM 14 YEL
JD 14 YEL
YN 14 YEL



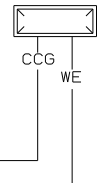
BATH/HALLWAY LAMP SWITCH
YM 14 YEL
WX 14 YEL
YN 14 YEL



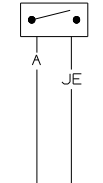
COMPARTMENT LAMP SWITCH
NW 14 YEL
CCG 14 YEL



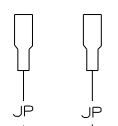
COMPARTMENT LAMP
WE 14 WHT
CCG 14 YEL



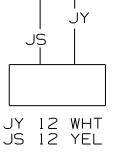
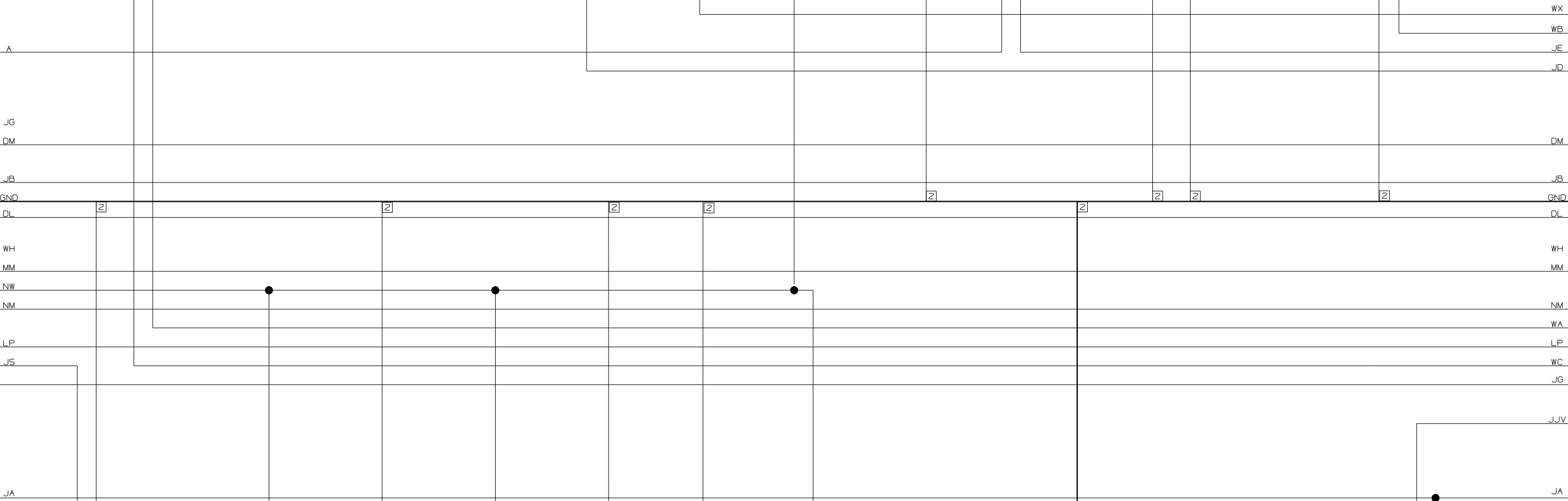
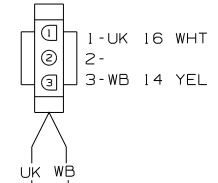
GALLEY CEILING LAMP SWITCH
A 14 YEL
JE 14 YEL



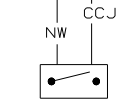
ANTENNA GROUNDS
JP 14 WHT



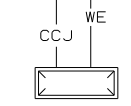
CONNECTS TO LP DETECTOR



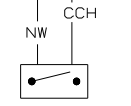
WATER PUMP



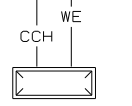
COMPARTMENT LAMP SWITCH



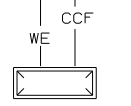
COMPARTMENT LAMP



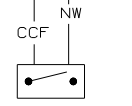
COMPARTMENT LAMP SWITCH



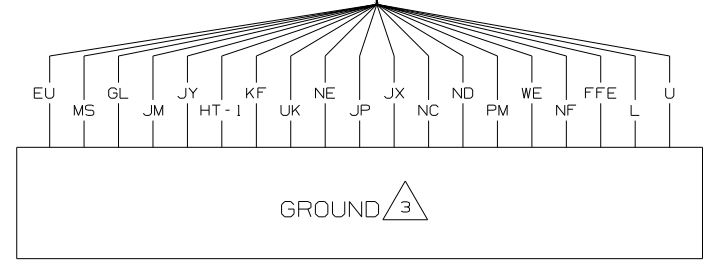
COMPARTMENT LAMP



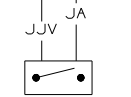
COMPARTMENT LAMP



COMPARTMENT LAMP SWITCH

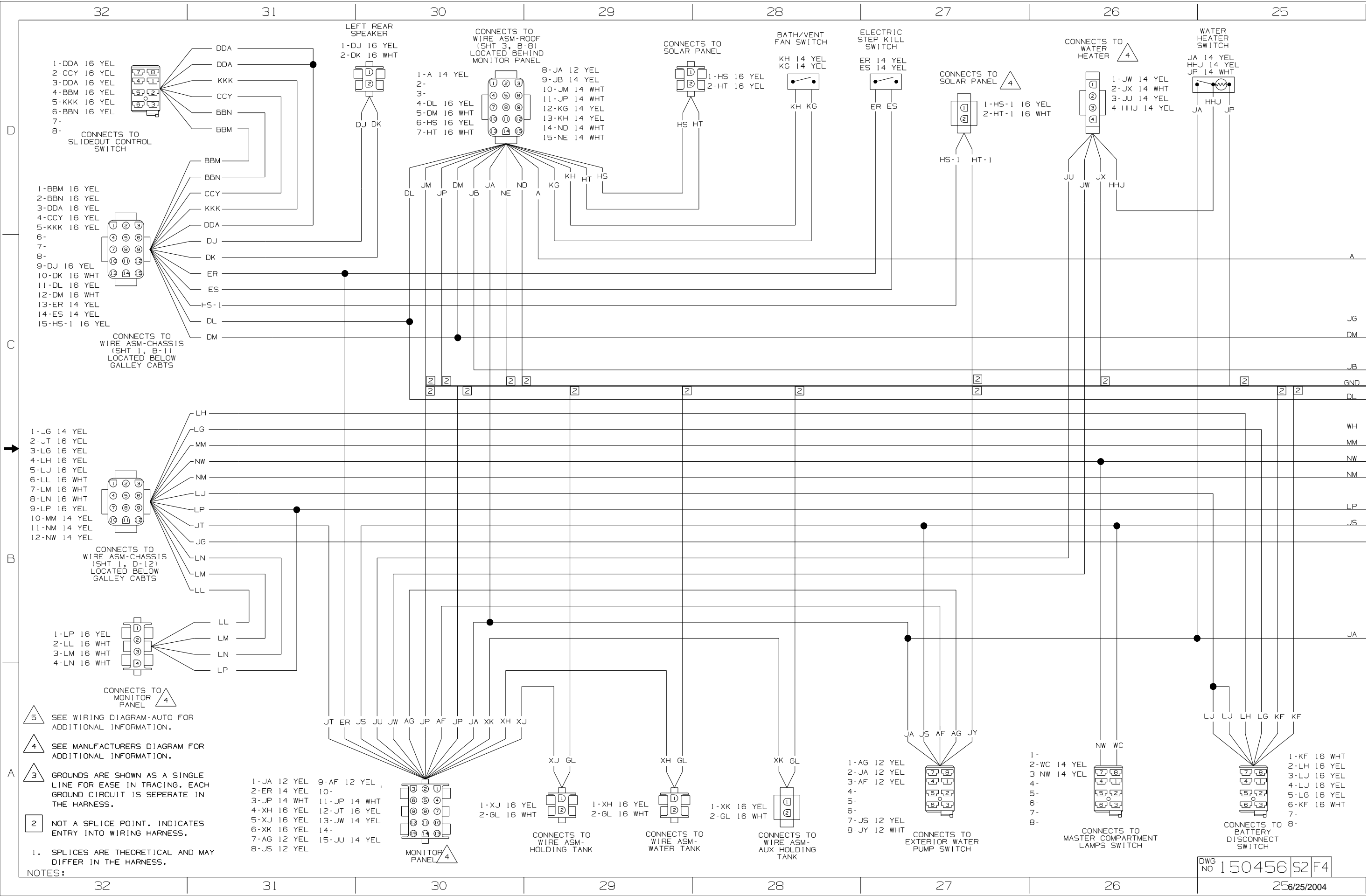


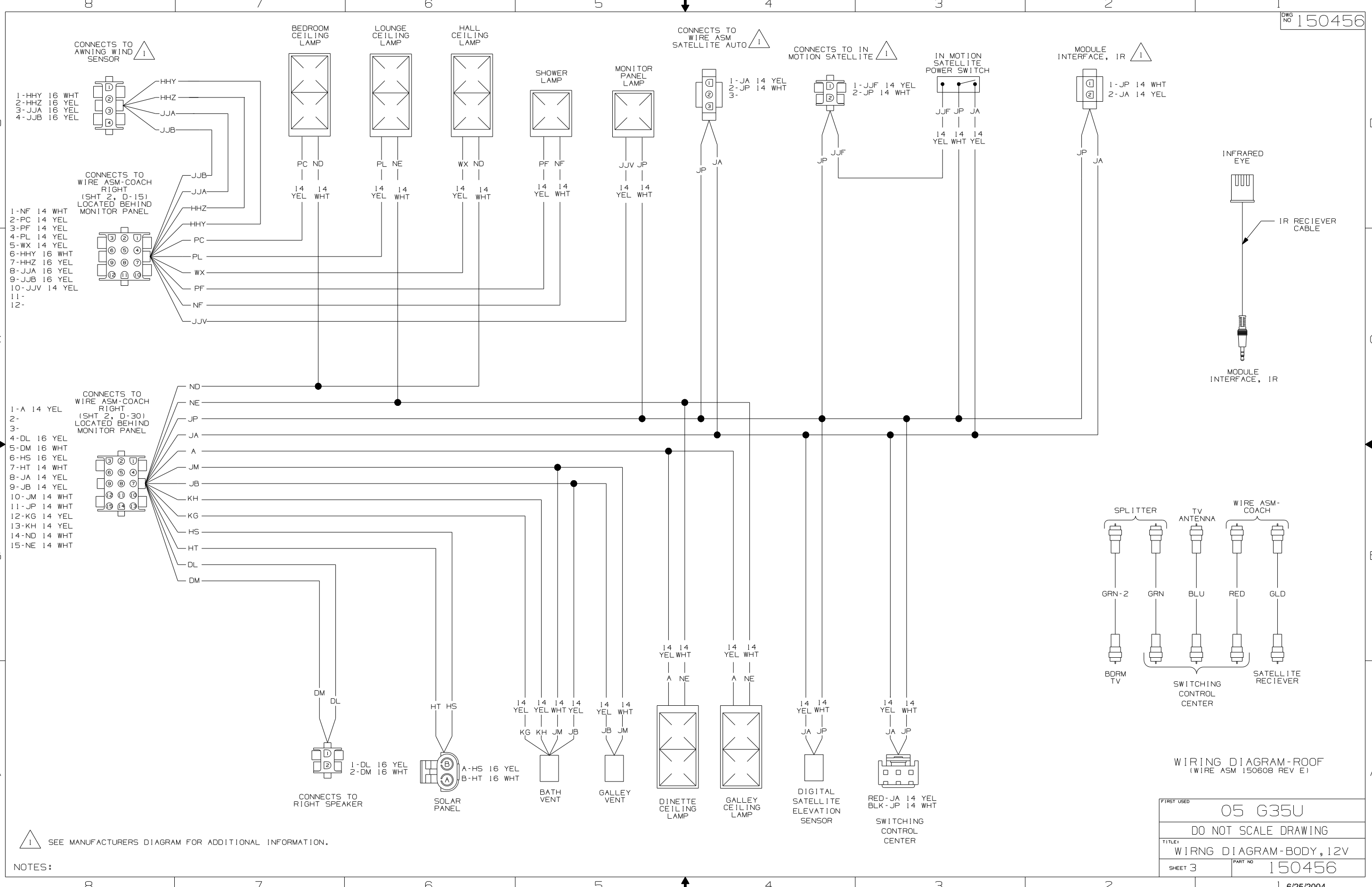
- GL 16 WHT
- UK 16 WHT
- JX 14 WHT
- NF 14 WHT
- JM 14 WHT
- NE 14 WHT
- NC 14 WHT
- FFE 12 WHT
- JY 12 WHT
- EU 16 WHT
- ND 14 WHT
- L 6 GRN
- U 8 GRN
- HT-1 16 WHT
- MS 14 WHT
- PM 14 WHT
- KF 16 WHT
- JP 14 WHT
- WE 14 WHT



JJV 12 YEL
JA 12 YEL

MONITOR PANEL LIGHT SWITCH



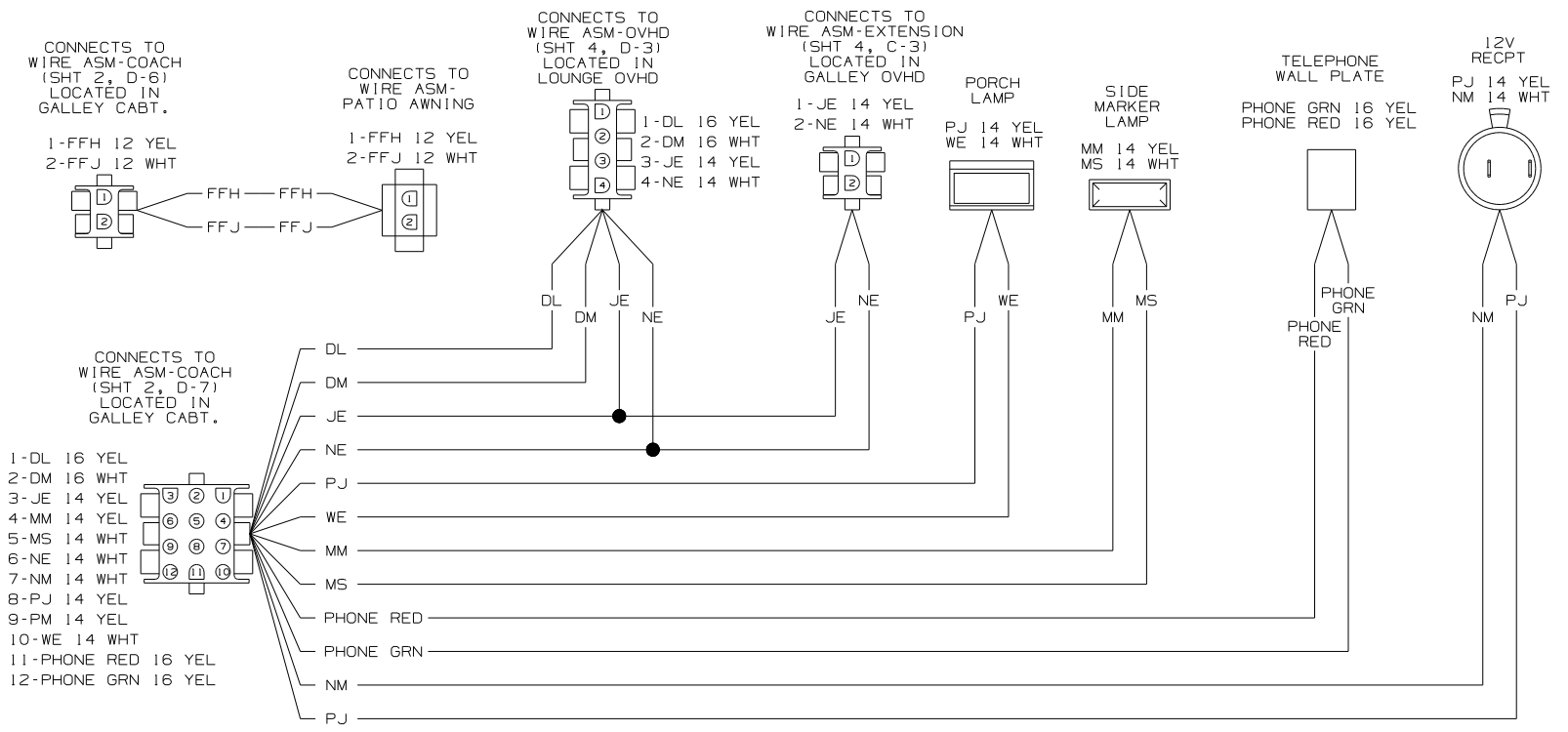


WIRING DIAGRAM-ROOF
(WIRE ASM 150608 REV E)

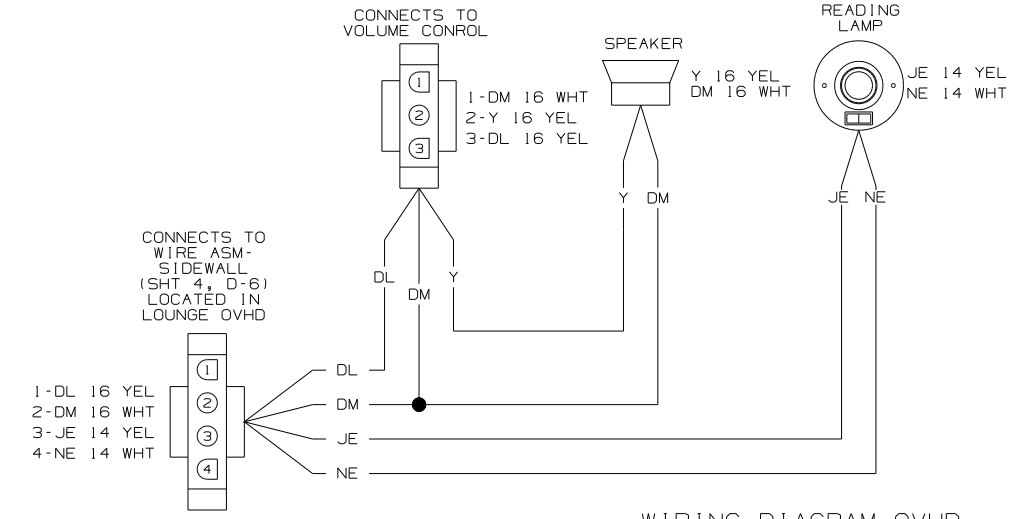
FIRST USED	05 G35U
TITLE	DO NOT SCALE DRAWING
TITLE	WIRNG DIAGRAM-BODY, 12V
SHEET 3	PART NO 150456

NOTES:

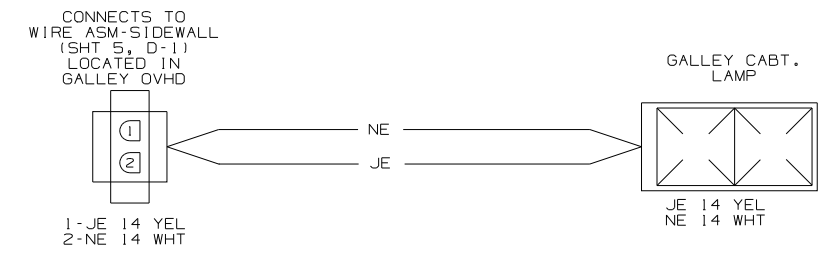
1 SEE MANUFACTURERS DIAGRAM FOR ADDITIONAL INFORMATION.



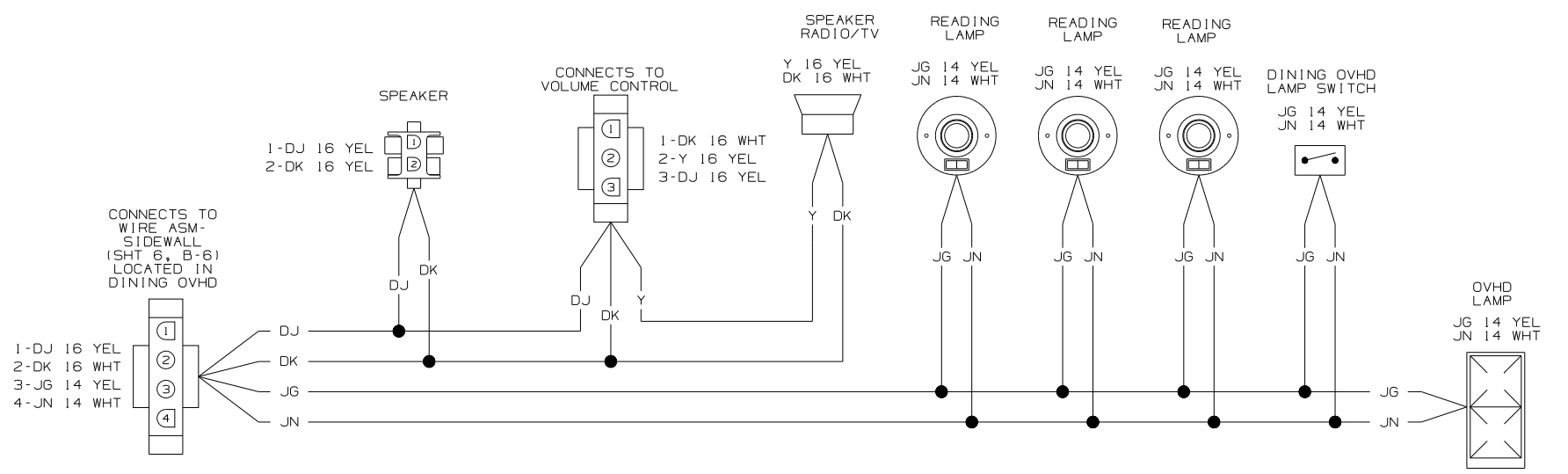
WIRING DIAGRAM SIDEWALL
(WIRE ASM 149213 REV E)



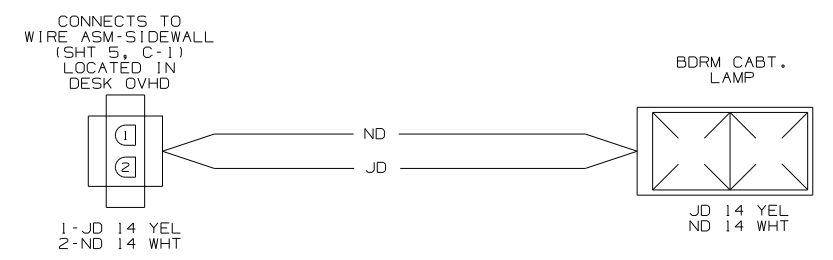
WIRING DIAGRAM-OVHD
(WIRE ASM 141988 REV B)



WIRING DIAGRAM-EXTENSION, 2 PIN
(WIRE ASM 133572-01 REV E)

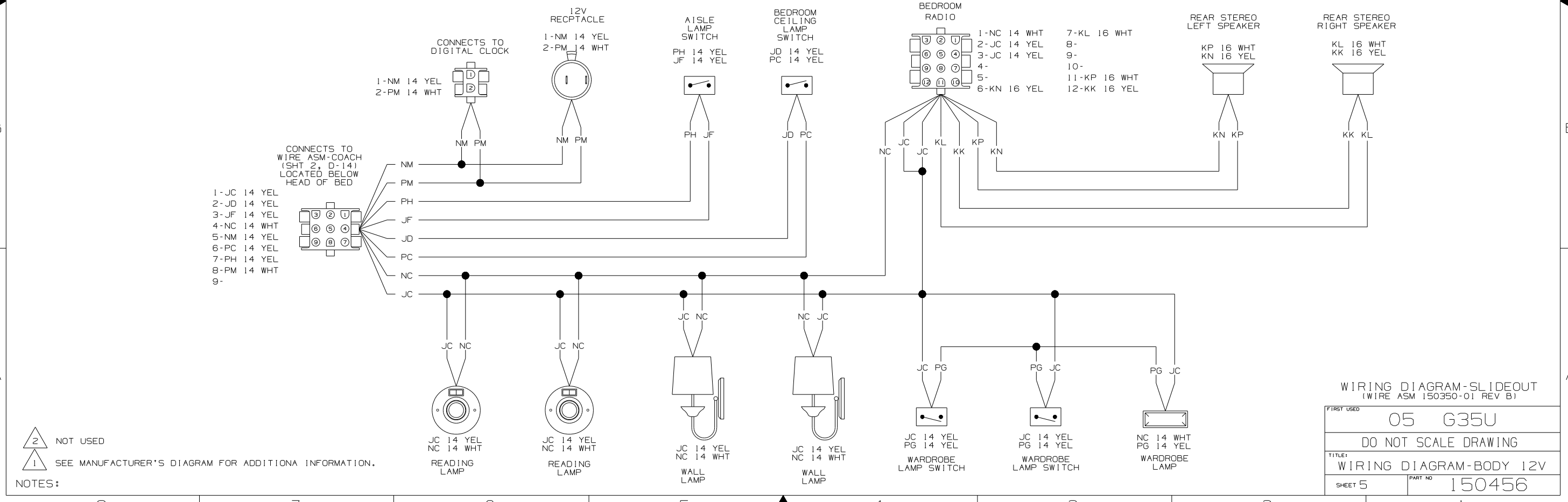
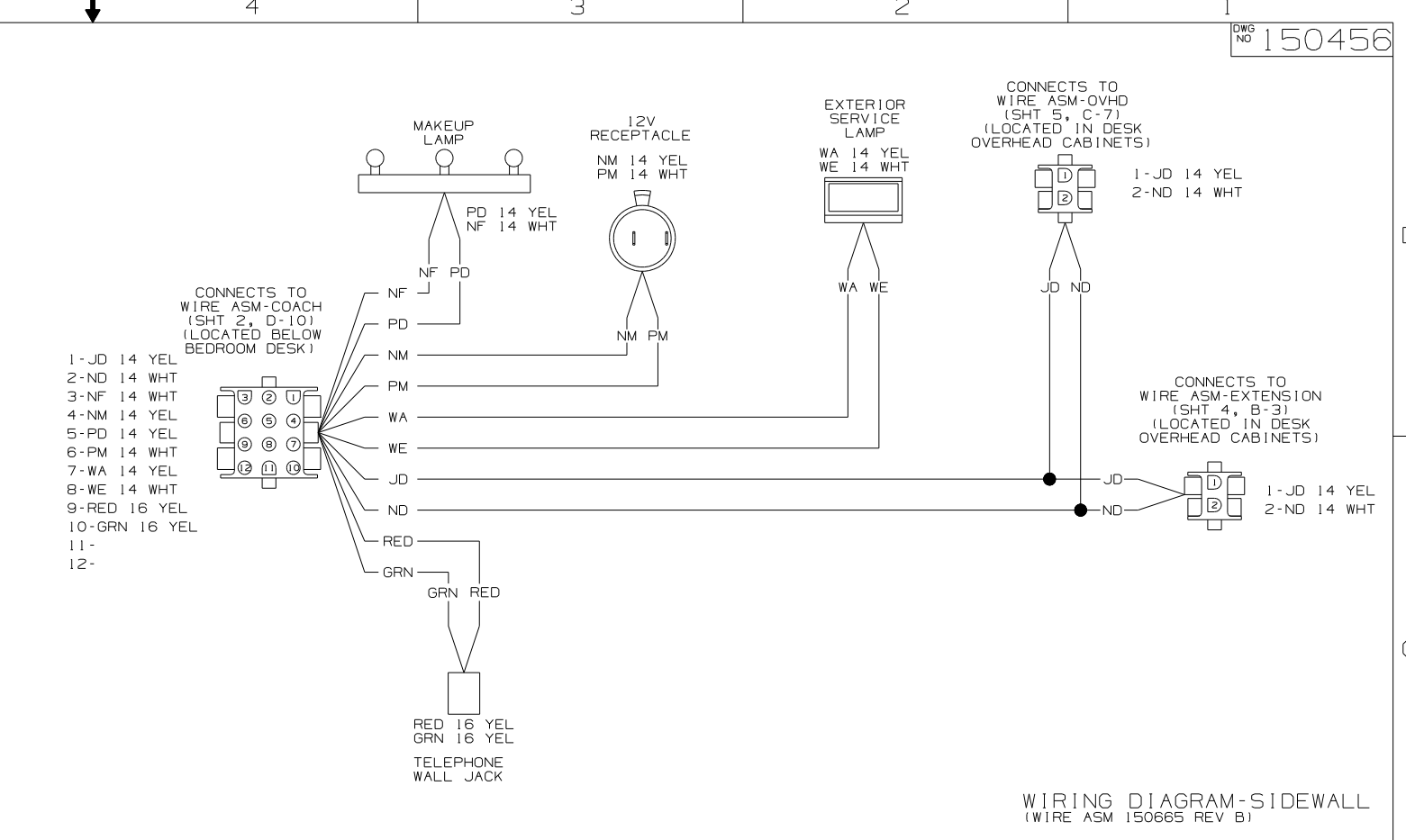
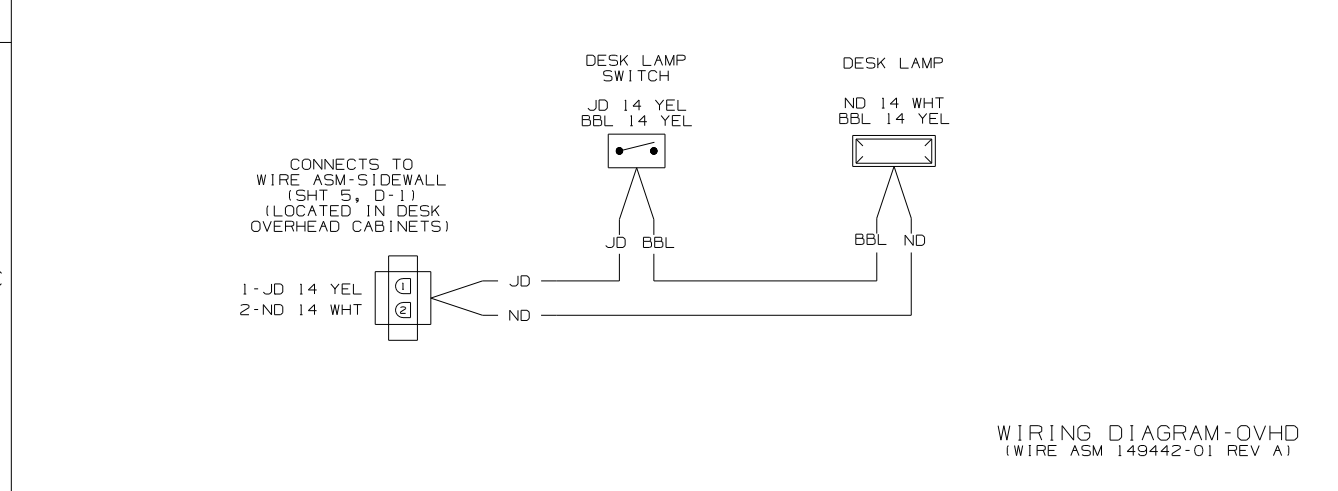
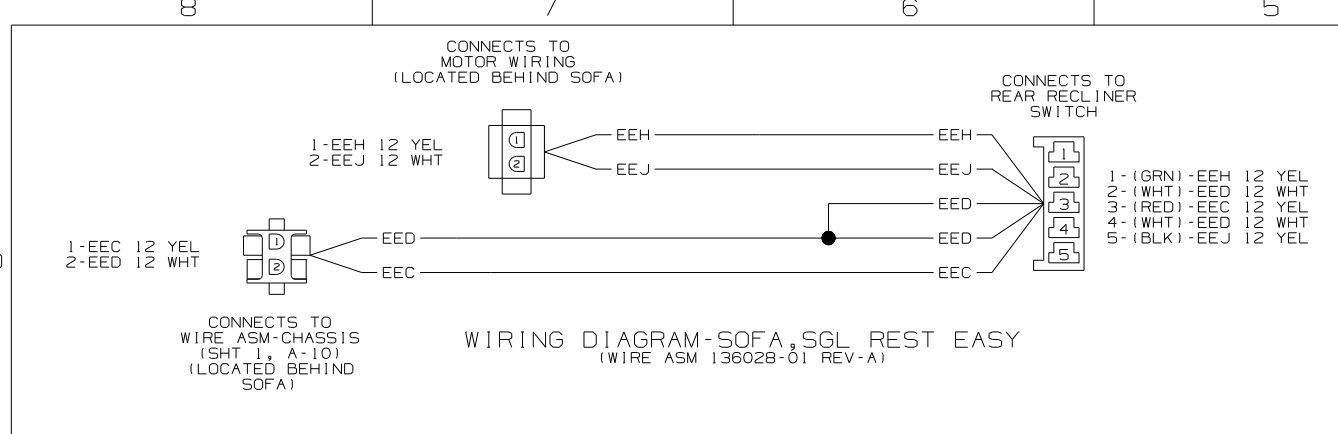


WIRING DIAGRAM-OVHD
(WIRE ASM 151244 REV B)



WIRING DIAGRAM-EXTENSION, 2 PIN
(WIRE ASM 133572-01 REV E)

FIRST USED	05 G35U
TITLE	DO NOT SCALE DRAWING
TITLE	WIRING DIAGRAM-BODY, 12V
SHEET 4	PART NO 150456

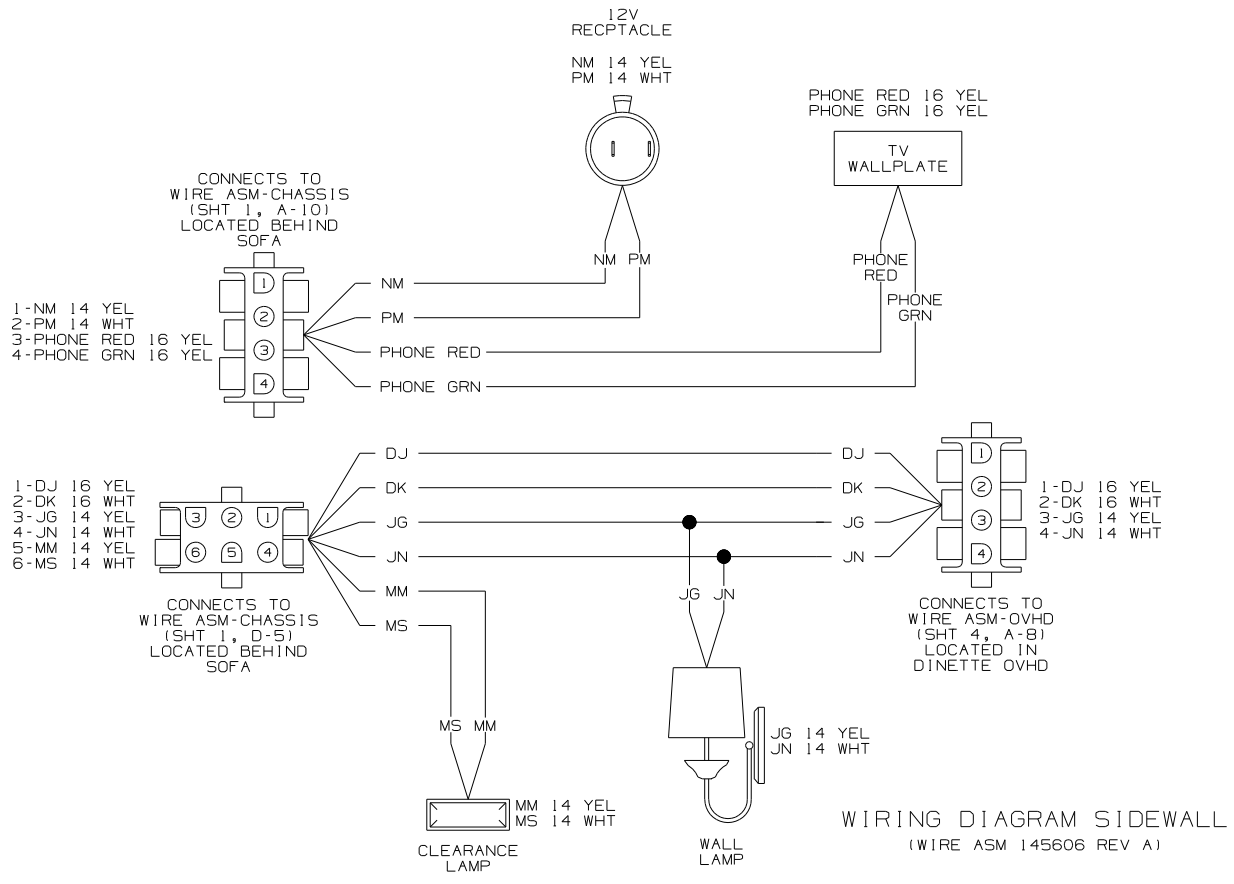


NOTES:

2 NOT USED

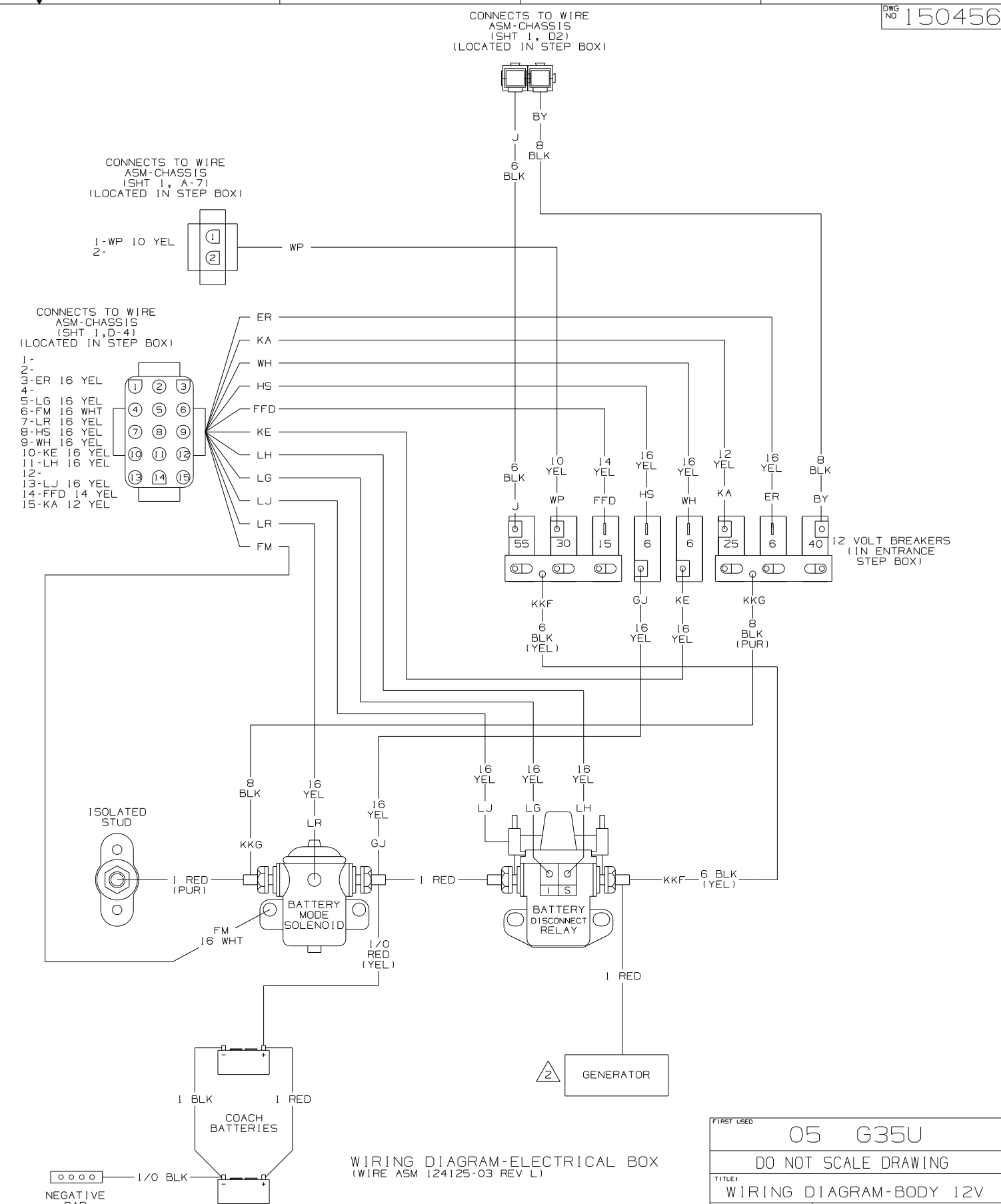
1 SEE MANUFACTURER'S DIAGRAM FOR ADDITIONAL INFORMATION.

FIRST USED	05 G35U
DO NOT SCALE DRAWING	
TITLE	WIRING DIAGRAM-BODY 12V
SHEET 5	PART NO 150456



WIRING DIAGRAM SIDEWALL
(WIRE ASM 145606 REV A)

NOTES:
 NOT USED
 SEE MANUFACTURER'S DIAGRAM FOR ADDITIONAL INFORMATION.



WIRING DIAGRAM-ELECTRICAL BOX
(WIRE ASM 124125-03 REV L)

FIRST USED	05 G35U
TITLE	DO NOT SCALE DRAWING
TITLE	WIRING DIAGRAM-BODY 12V
SHEET 6	PART NO 150456