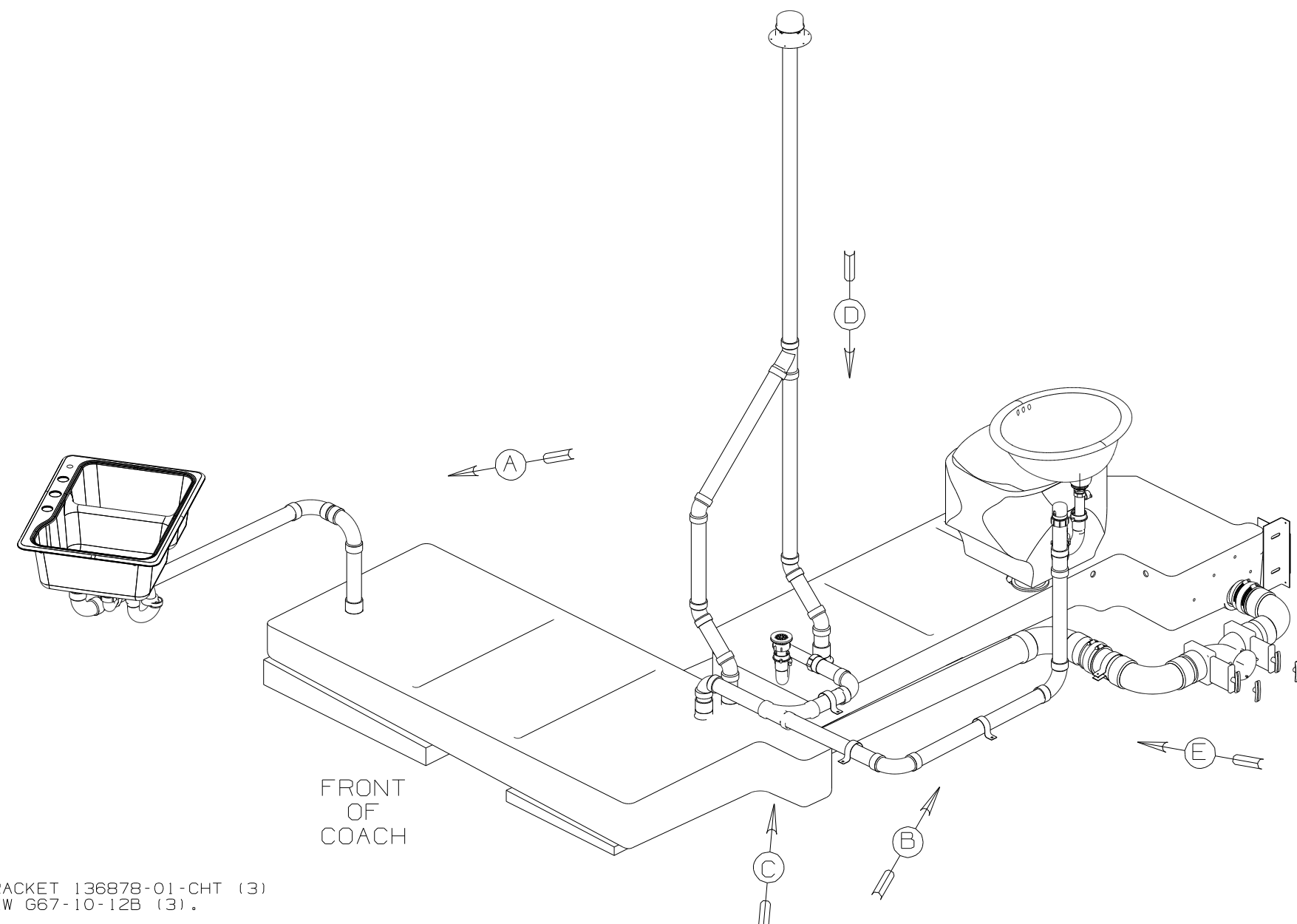


DWG NO	--
150200-01	(WIN)
150200-02	(ITA)

RELEASE	REV DATE	DWG NO
A		150200
REV ZONE	REVISION RECORD	DATE
		DFT-016



- (430) TOILET-PORCELAIN
- (43M) TOILET PORCELAIN-ELONGATE
- (WIN) WINNEBAGO ONLY
- (ITA) ITASCA ONLY
- (IBI) CODES/STANDARDS USA
- (265) CODES/STDS-CSA/CMVSS

- NOTES:
9. SECURE PIPES TO FLOOR USING BRACKET 136878-01-CHT (3) CLAMP 62401-02-000 (3) AND SCREW G67-10-12B (3).
  8. SECURE PIPES TO CABINET USING WIRE TIE 108046-02-000 AND SCREW G67-10-12U (8).
  7. SEE DWG 61607-01-000 FOR INSTL OF GROMMET.
  6. VENT PIPE MUST PROJECT 51 MIN AND 64 MAX ABOVE ROOF FOR PROPER FIT AND FUNCTION.
  5. SEAL AROUND SHOWER WITH SILICONE.
  4. ALL EXTERIOR OPENINGS AROUND PIPE TO BE SEALED WITH 110744-01-000.
  3. ALL PIPE AND FITTINGS TO BE ASSEMBLED WITH SOLVENT 4020-01-000 (US) 4020-02 (CAN).
  2. SLOPE OF TRAP ARM MUST BE 6 PER 305 mm.
  1. SLOPE OF HORIZONTAL PIPING TO BE MIN 3 PER 305 mm.

(X-X)  
FOR  
DRAINAGE  
CALLOUTS  
SEE DWG NO  
116229-01-000

<b>WINNEBAGO</b>		COPYRIGHT 2005 WINNEBAGO INDUSTRIES, INC.	
DFT	ORIG. DATE	ALL DIMENSIONS ARE IN MILLIMETERS	
CHKR		FIRST USED	
P.E.		05 G35U	
M.E.		UNSPECIFIED TOLERANCES ARE:	
DSNR		MATERIAL:	
		WHOLE DIM (X)	: 5
		ONE-PLACE (X.X)	:
		TWO-PLACE (X.XX)	:
		ANGLE	:
		THIRD ANGLE PROJECTION	
DO NOT SCALE DRAWING			
TITLE: DRAINAGE SYSTEM INSTL			
SHEET 1 OF 3	PART NO	150200	
REF: 145310 1 3/11/2005			

SINK - SMC, DOUBLE  
148870-02-CHT  
STRAINER  
92303-01-000 (2)  
ANGLE  
140002-01-CHT (10)  
SCREW  
G67-10-08B (8)  
WASHER-RUBBER  
127440-02-CHT (2)  
SEAL (A/R)

SINK  
155318-01-CHT  
ANGLE  
153338-02-CHT (10)  
SCREW  
G67-08-10U (8)  
SEAL (A/R)  
TAILPIECE  
151556-01-CHT  
WASTE ARM  
SUPPLIED WITH FAUCET  
WASHER FOAM  
147930-01-000

SHOWER INSTL-ENCLOSURE  
147874-01-000  
SHOWER-PAN  
132193-01-CHT  
DRAIN  
66440-01-000  
SEALER  
696400-01-000  
NUT  
130403-01-000  
TAILPIECE  
11069-06-000  
WASHER  
127440-02-CHT

TOILET  
152830-01-CHT  
136729-01-CHT  
SCREW  
87721-01-000 (8)

CONTINUOUS WASTE  
11091-02-000

CLAMP  
62401-05-000 (2)  
BRACKET  
95061-01-000 (2)  
SCREW  
G67-10-10B (2)

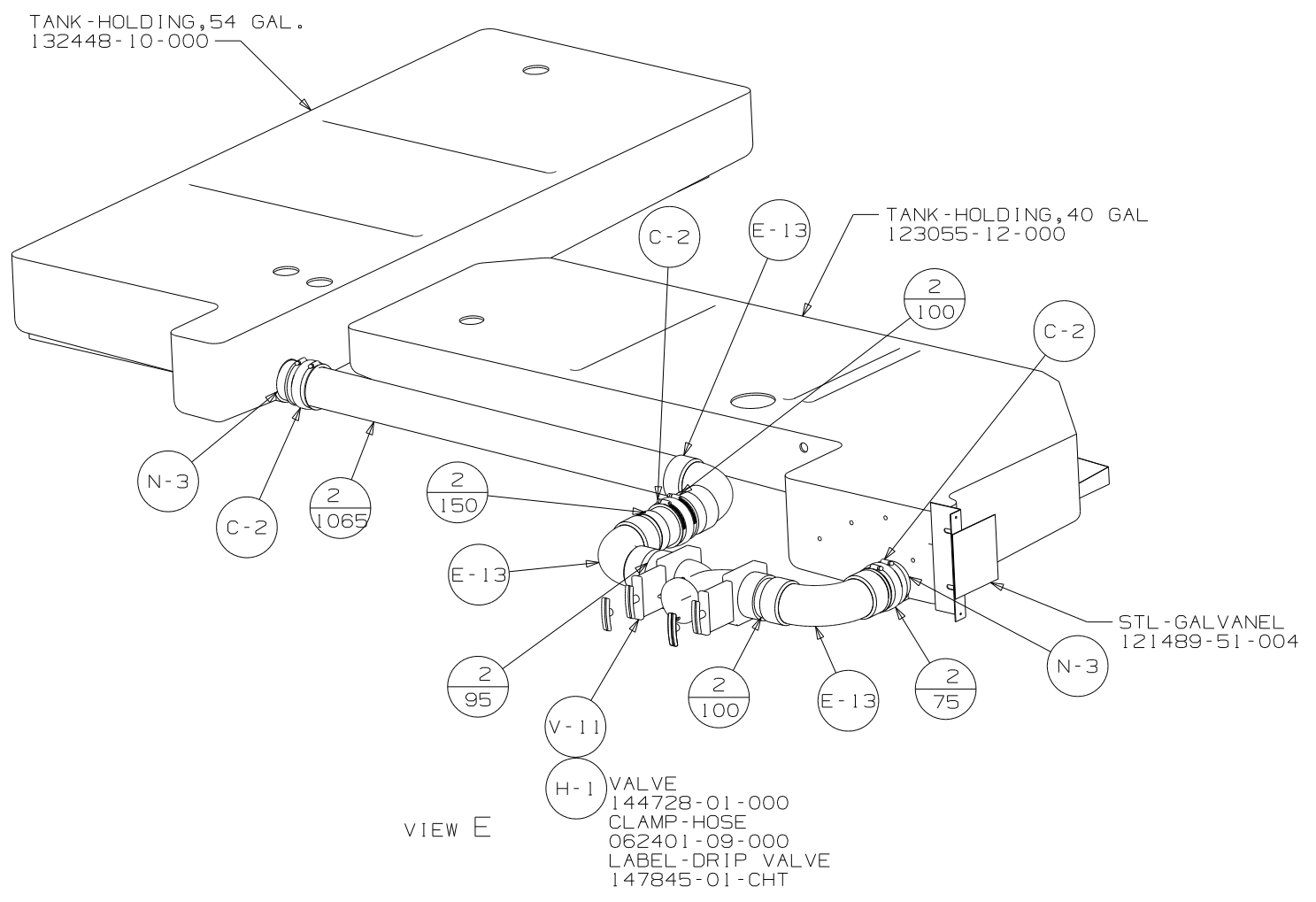
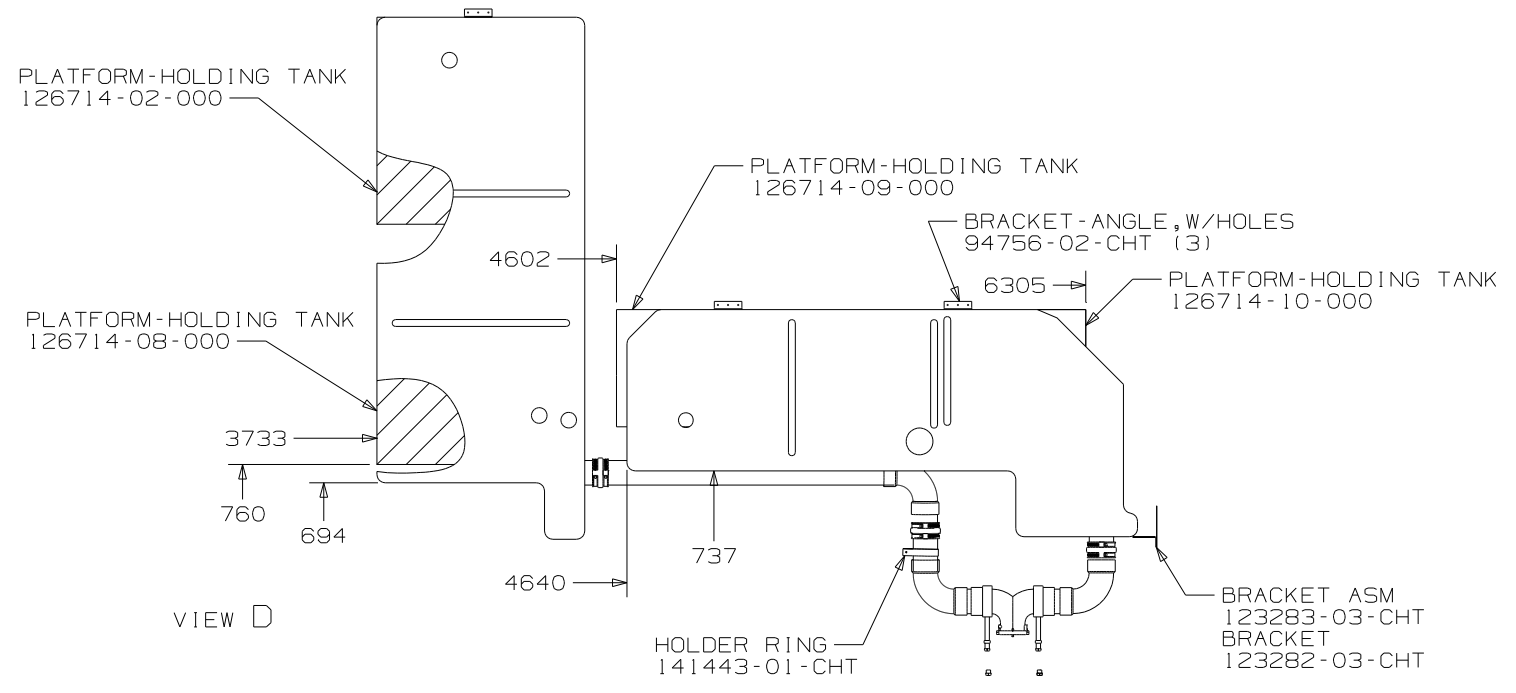
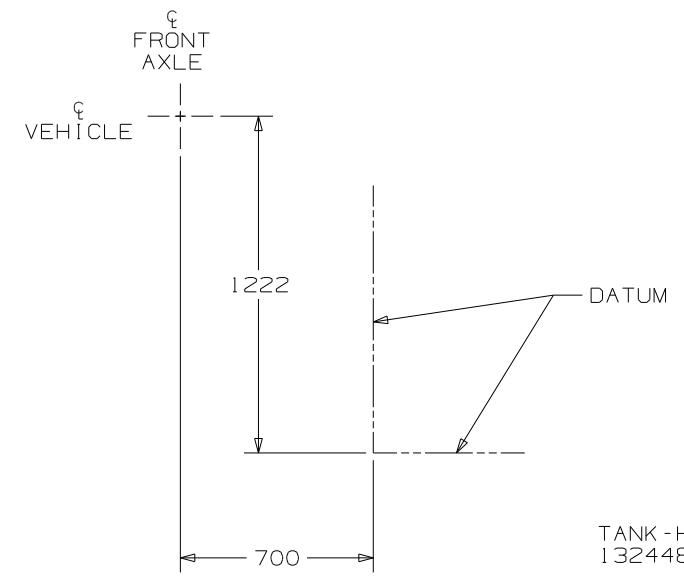
STRAP-CONDUIT, 2"  
8406-01-000 (3)

VIEW A

VIEW B

VIEW C

FIRST USED	05 G35U
DO NOT SCALE DRAWING	
TITLE	DRAINAGE SYSTEM INSTL
SHEET 2	PART NO 150200



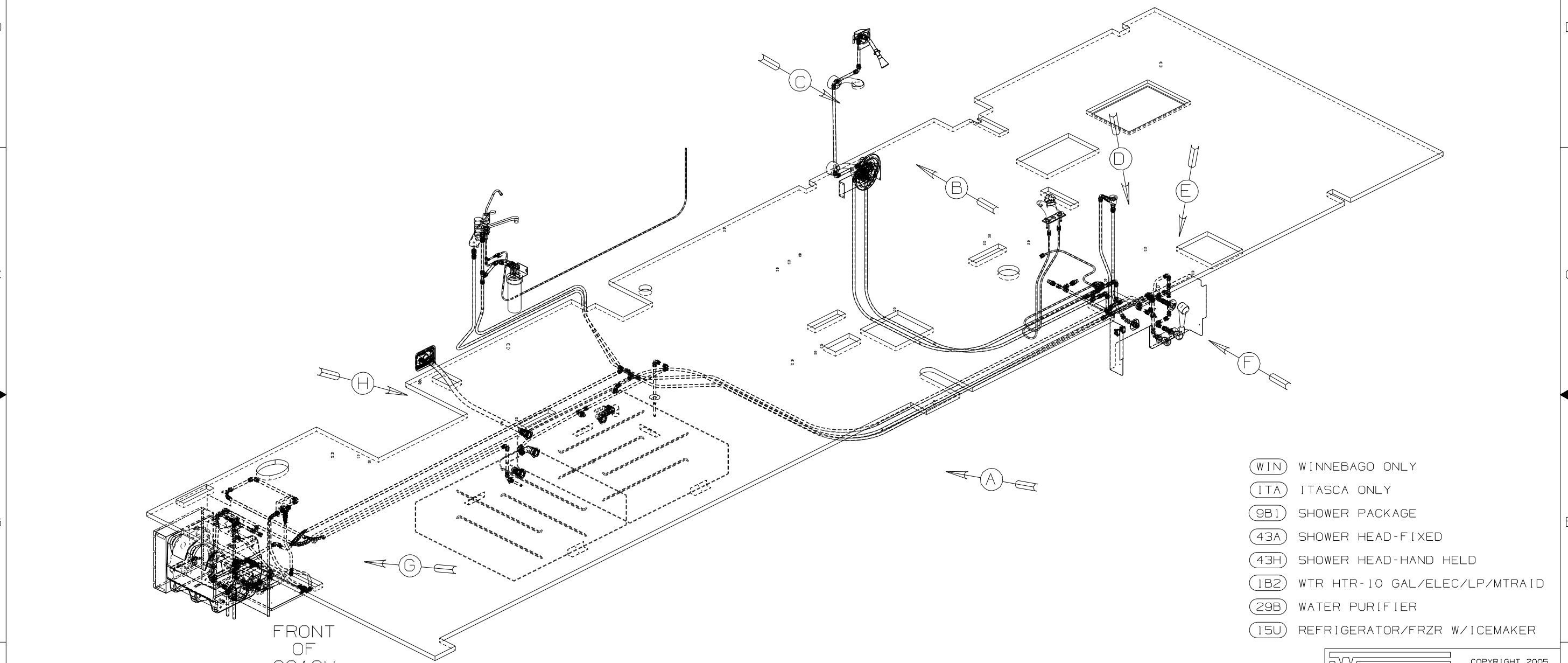
VIEW E

VIEW D

FIRST USED	05 G35U
DO NOT SCALE DRAWING	
TITLE	DRAINAGE SYSTEM INSTL
SHEET 3	PART NO 150200

DWG NO	----
150208-01	(WIN)
150208-02	(ITA)

RELEASE	REV DATE A	DWG NO 150208
REV ZONE	REVISION RECORD	DATE DFR-ORIG

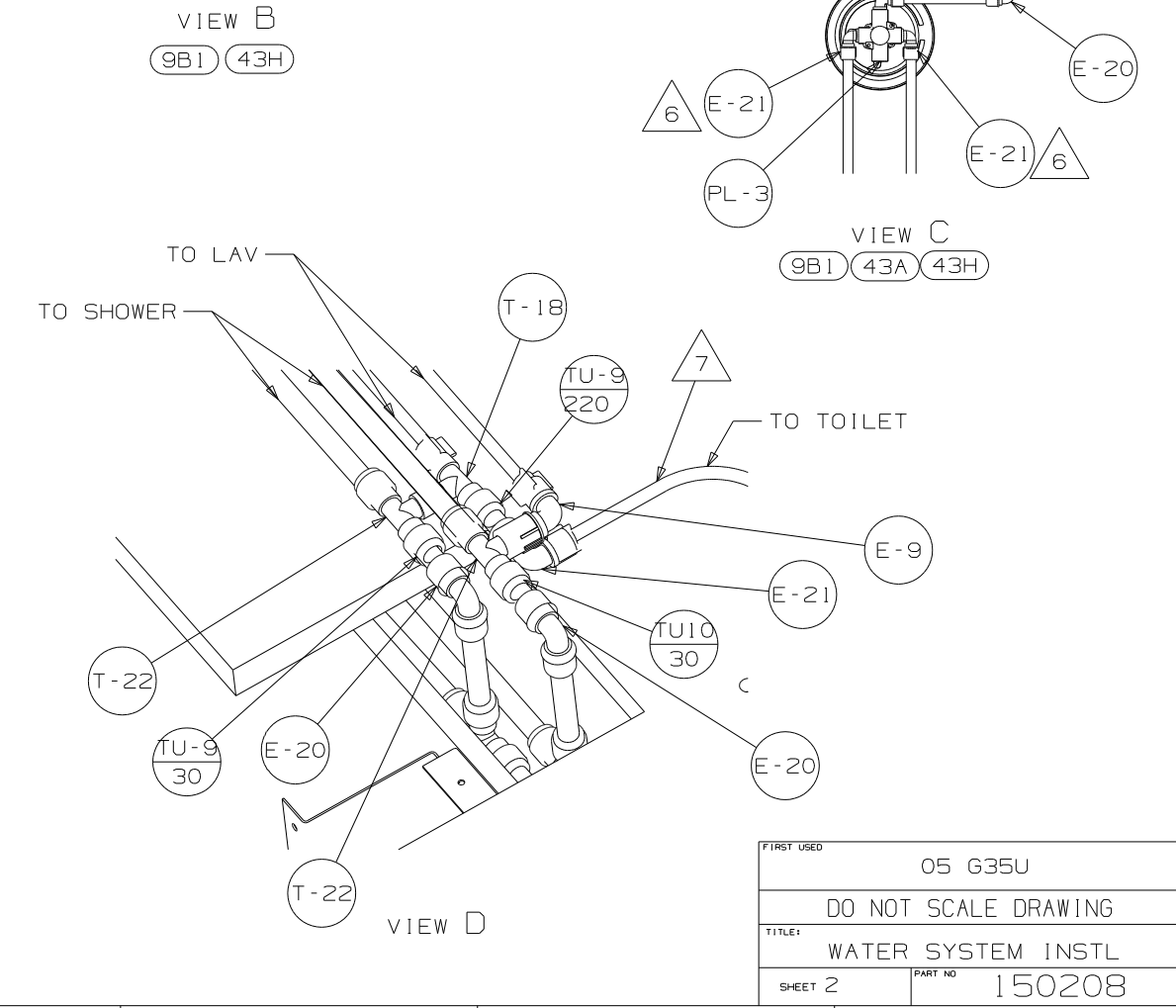
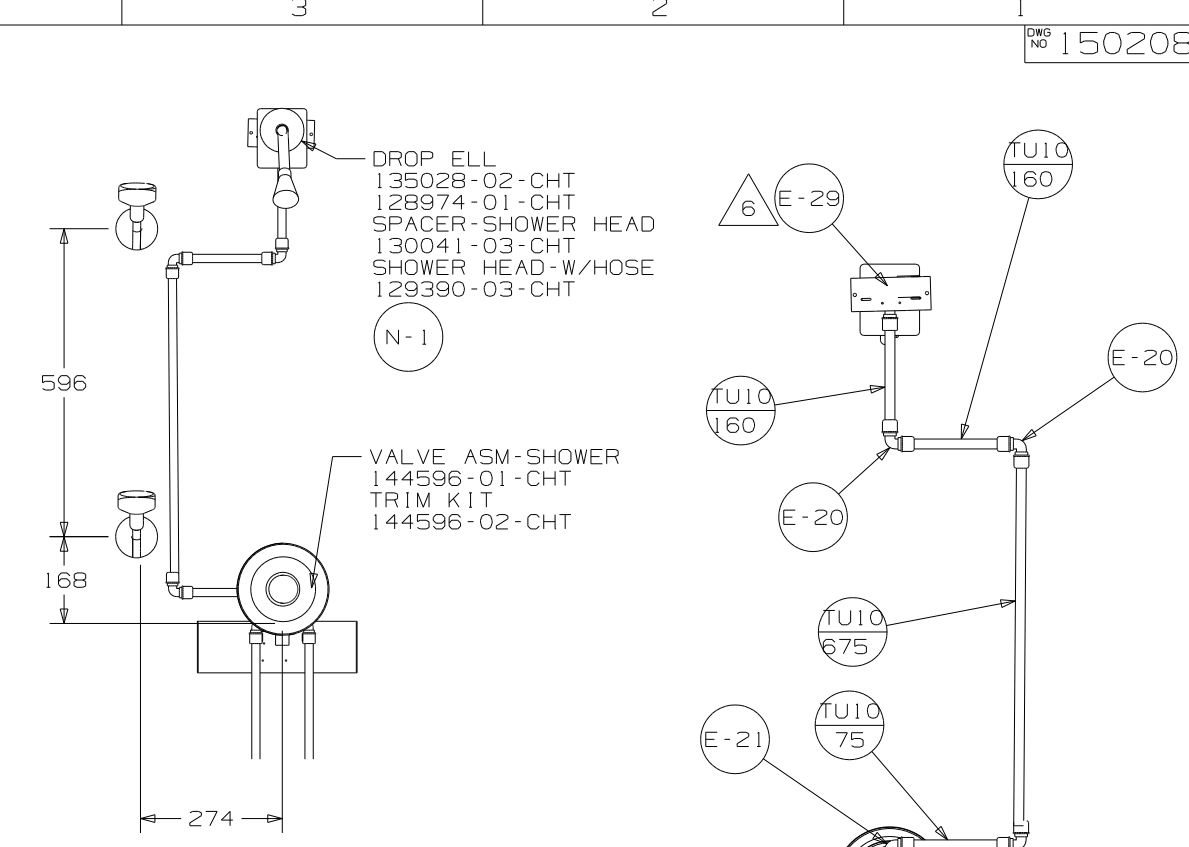
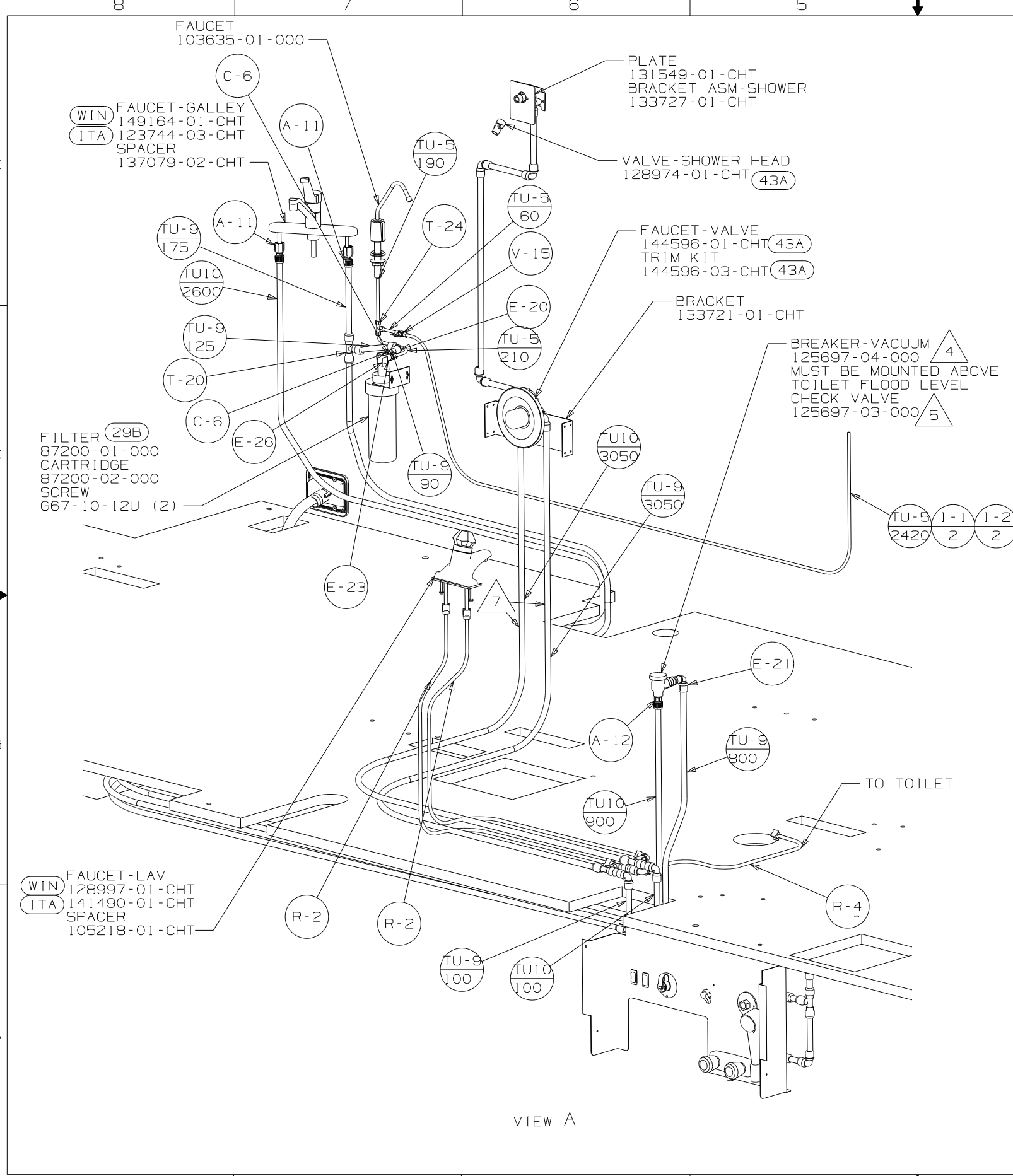


- (WIN) WINNEBAGO ONLY
- (ITA) ITASCA ONLY
- (9B1) SHOWER PACKAGE
- (43A) SHOWER HEAD-FIXED
- (43H) SHOWER HEAD-HAND HELD
- (1B2) WTR HTR-10 GAL/ELEC/LP/MTR AID
- (29B) WATER PURIFIER
- (15U) REFRIGERATOR/FRZR W/ICEMAKER

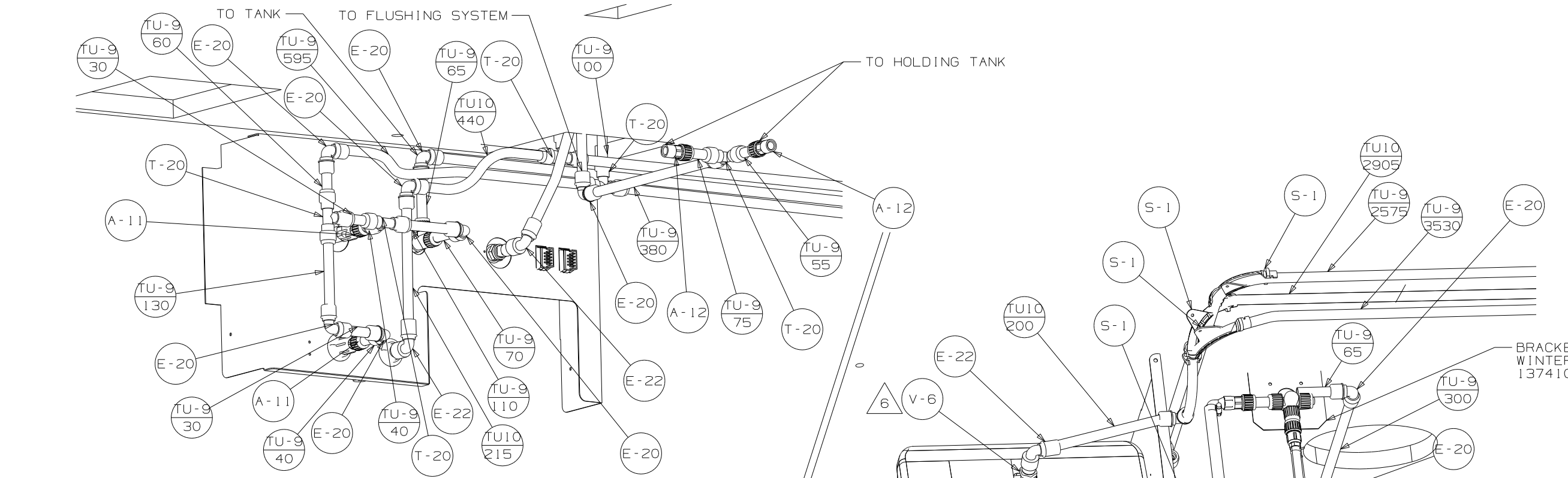
- NOTES:
7. ADD PIPE WRAP (LADDER SCRAP) INSULATION HERE.
  6. ADD TEFLON TAPE 10405-01-000 TO FITTING.
  5. ADD TEFLON TAPE 10405-02-000 TO FITTING.
  4. FLUSHING SYSTEM REQUIRES 125697-06-000 INSTRUCTION SHEET.
  3. ALL TUBING TO BE SECURED AT 1200 INTERVALS MAXIMUM WITH CLAMP 10495-01-000 OR CLIP 9151-01-000 AND SCREW 667-10-12B.
  2. TUBING TO BE INSTALLED WITH SUFFICIENT SLOPE TO PROVIDE DRAINAGE TO NEAREST VALVE.
  1. PLASTIC FITTINGS TO BE SEALED WITH SEALANT 84456-01-000.

(X-X)  
FOR  
WATER  
CALLOUTS  
SEE DWG NO  
116230-01-000

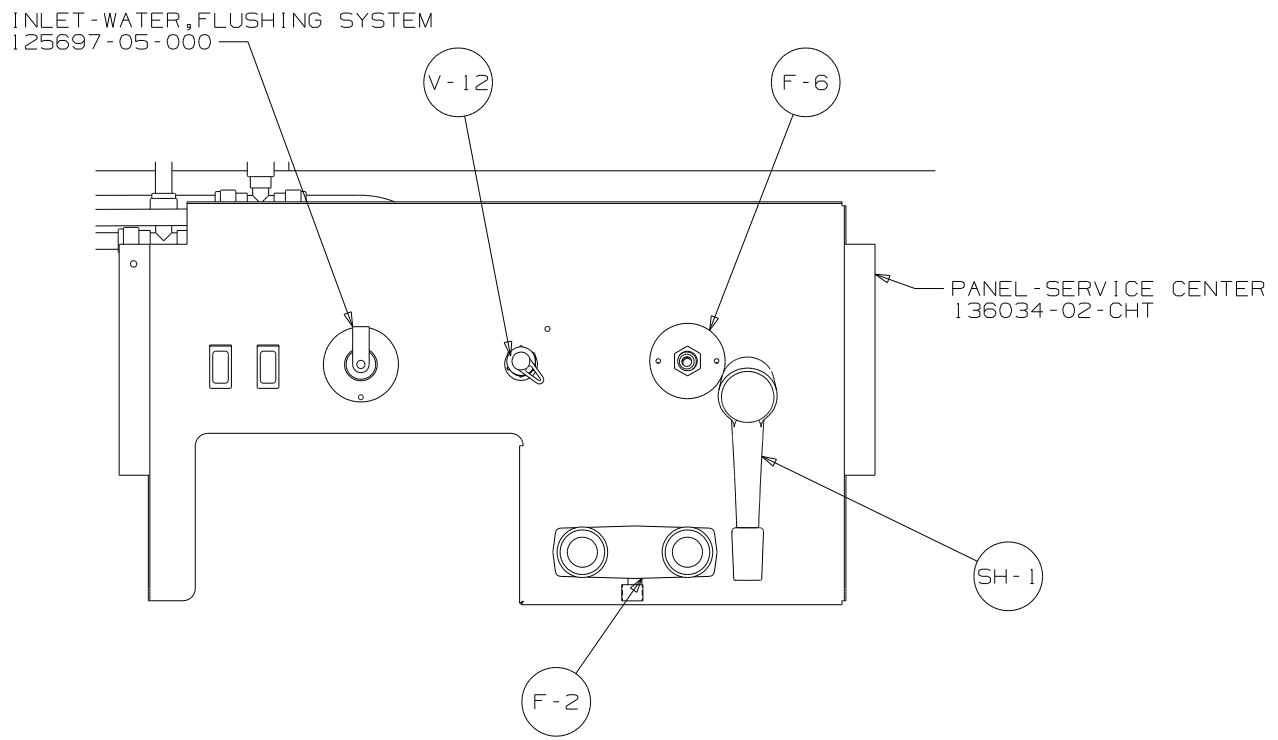
<b>WINNEBAGO</b>		COPYRIGHT 2005 WINNEBAGO INDUSTRIES, INC.	
DFTR	ORIG. DATE	ALL DIMENSIONS ARE IN MILLIMETERS	
CHKR		FIRST USED	
P.E.		05 G35U	
M.E.		UNSPECIFIED TOLERANCES ARE:	
DSNR		MATERIAL:	
		WHOLE DIM (X)	: 7
		ONE-PLACE (X.X)	:
		TWO-PLACE (X.XX)	:
		ANGLE	:
THIRD ANGLE PROJECTION		DO NOT SCALE DRAWING	
TITLE: WATER SYSTEM INSTL			
SHEET 1 OF 4		PART NO 150208	
REF: 145309 1/26/2005			



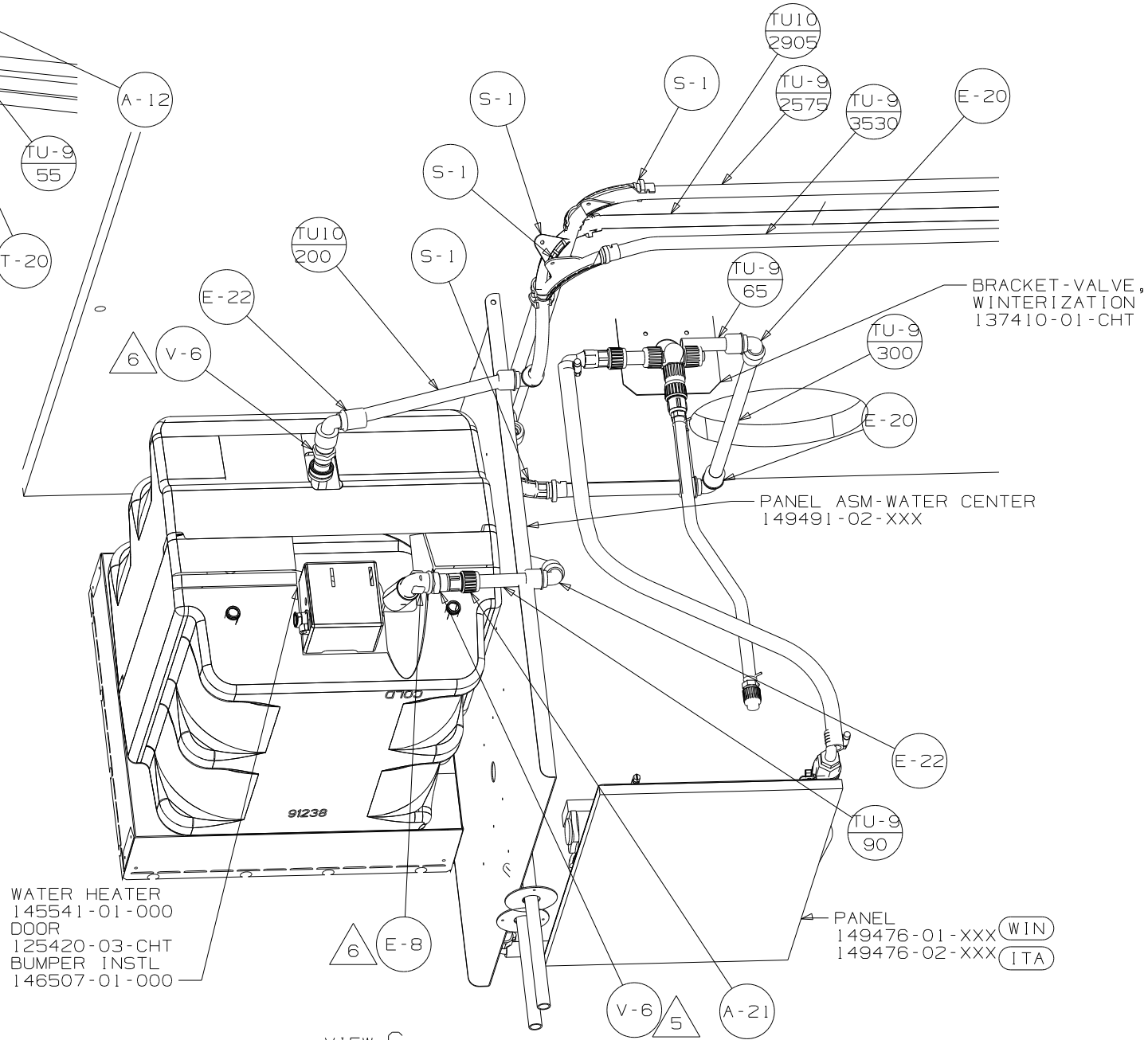
FIRST USED	05 G35U
TITLE	DO NOT SCALE DRAWING
TITLE	WATER SYSTEM INSTL
SHEET 2	PART NO 150208



VIEW E

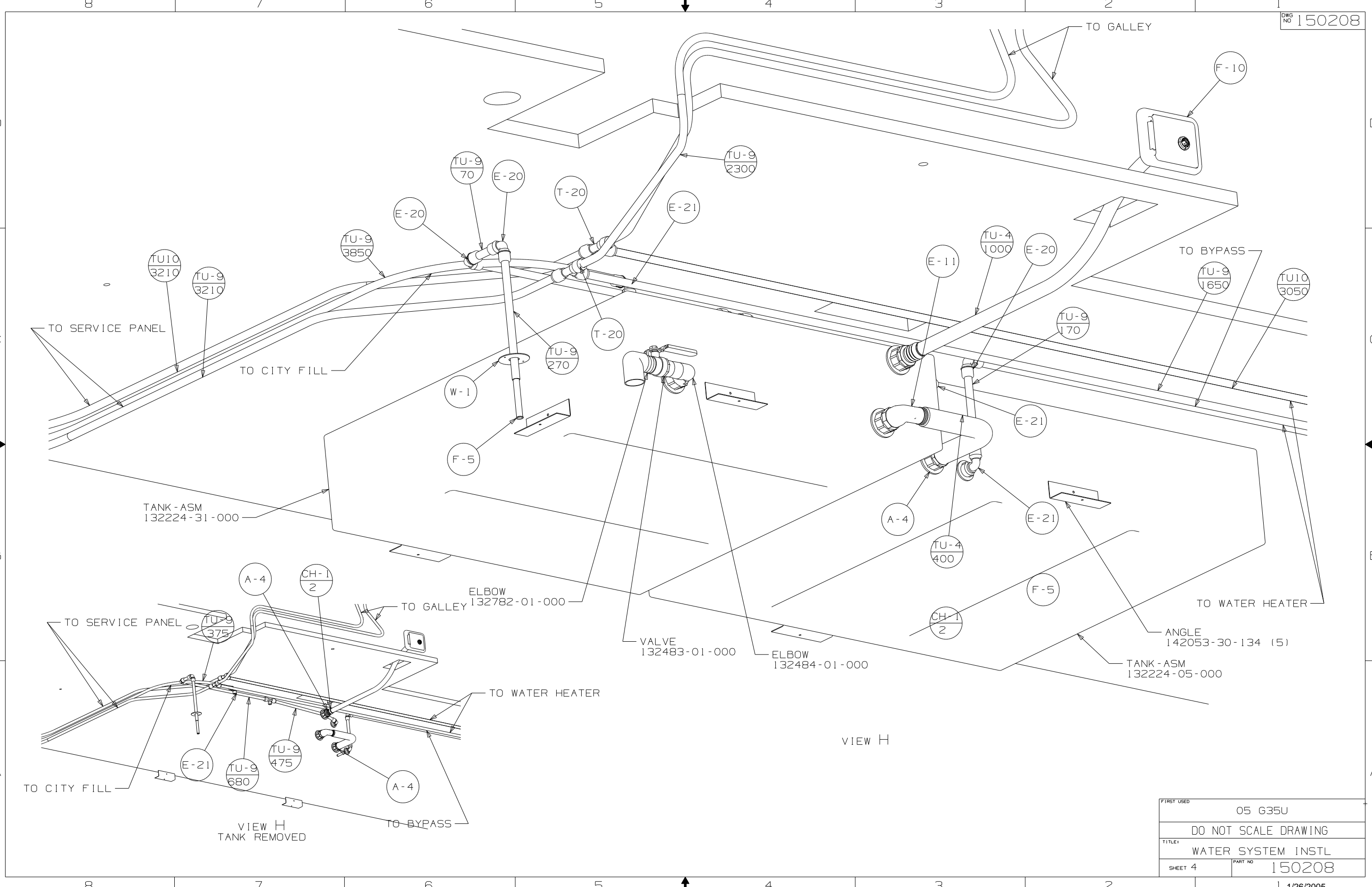


VIEW F



VIEW G

FIRST USED	05 G35U
TITLE	DO NOT SCALE DRAWING
SHEET 3	PART NO 150208
1 1/26/2005	



TANK - ASM  
132224 - 31 - 000

ELBOW  
132782 - 01 - 000

VALVE  
132483 - 01 - 000

ELBOW  
132484 - 01 - 000

ANGLE  
142053 - 30 - 134 (5)

TANK - ASM  
132224 - 05 - 000

VIEW H

VIEW H  
TANK REMOVED

FIRST USED	05 G35U
DO NOT SCALE DRAWING	
TITLE:	WATER SYSTEM INSTL
SHEET 4	PART NO 150208
1 1/26/2005	