



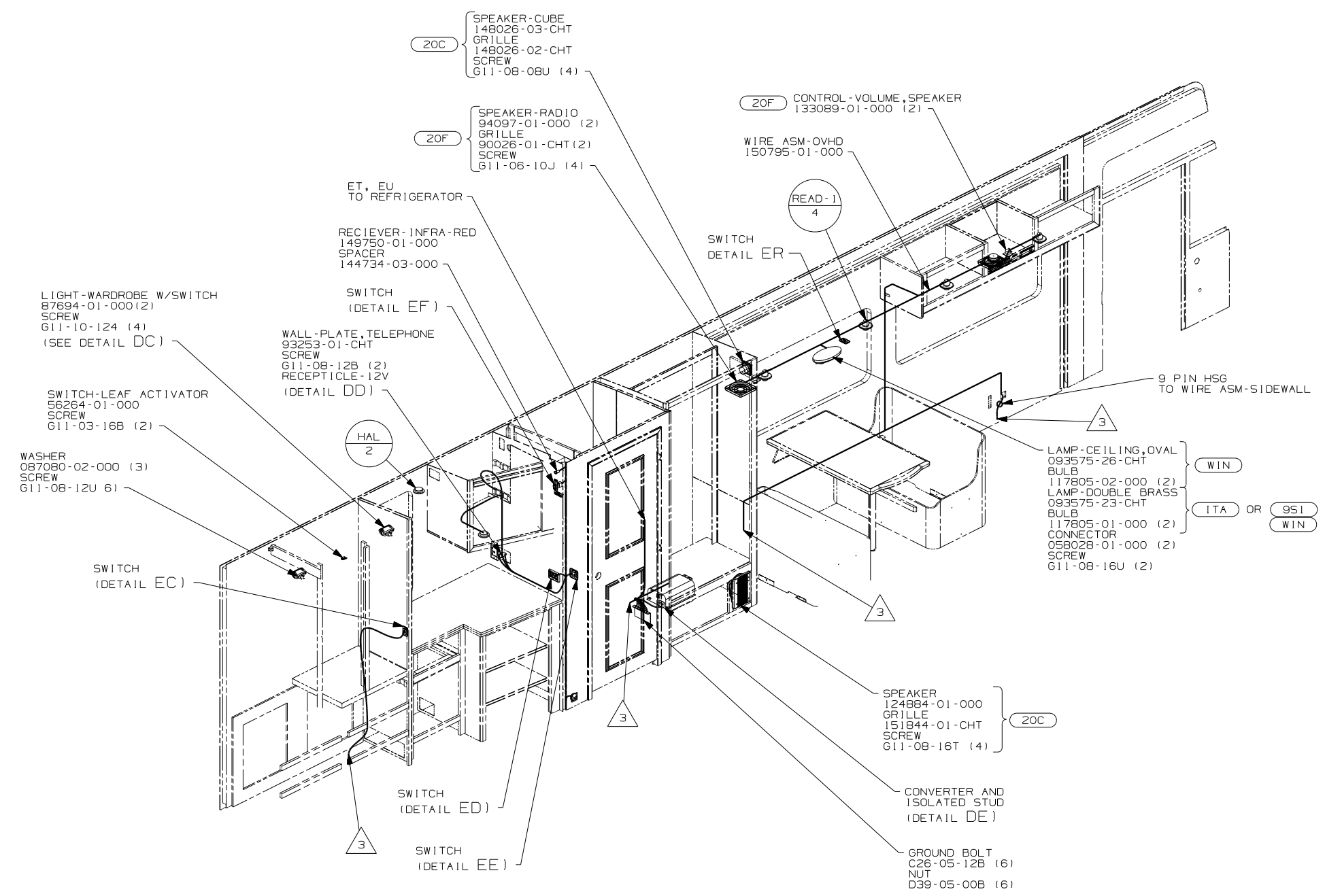
DANGER

Danger of electrical shock, burns or death. Always remove all power sources before attempting any repair, service or diagnostic work. Power can be present from shore power, generator, inverter or battery. All power sources must be disabled and secured before performing any service.



CAUTION

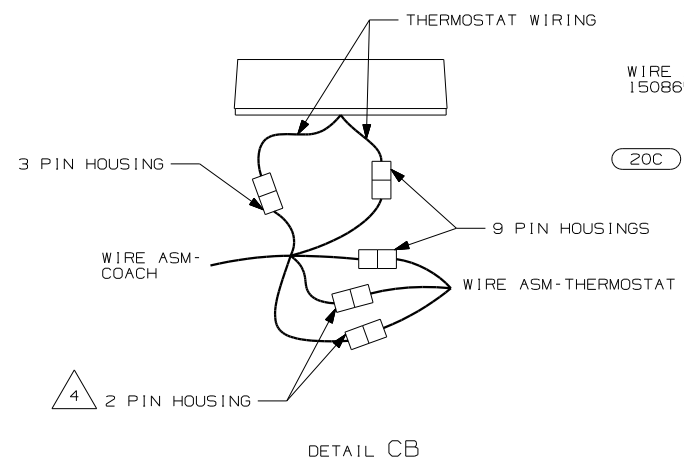
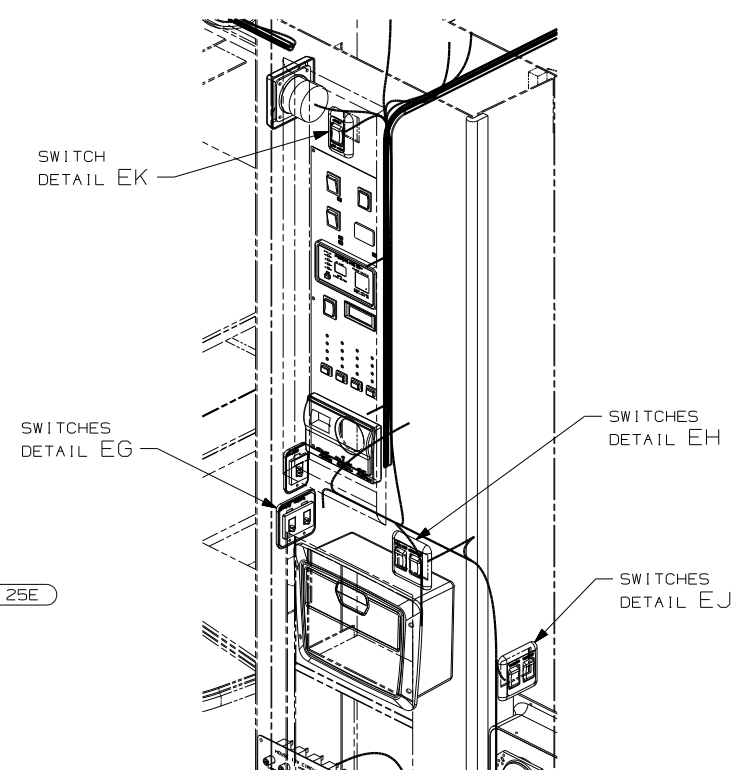
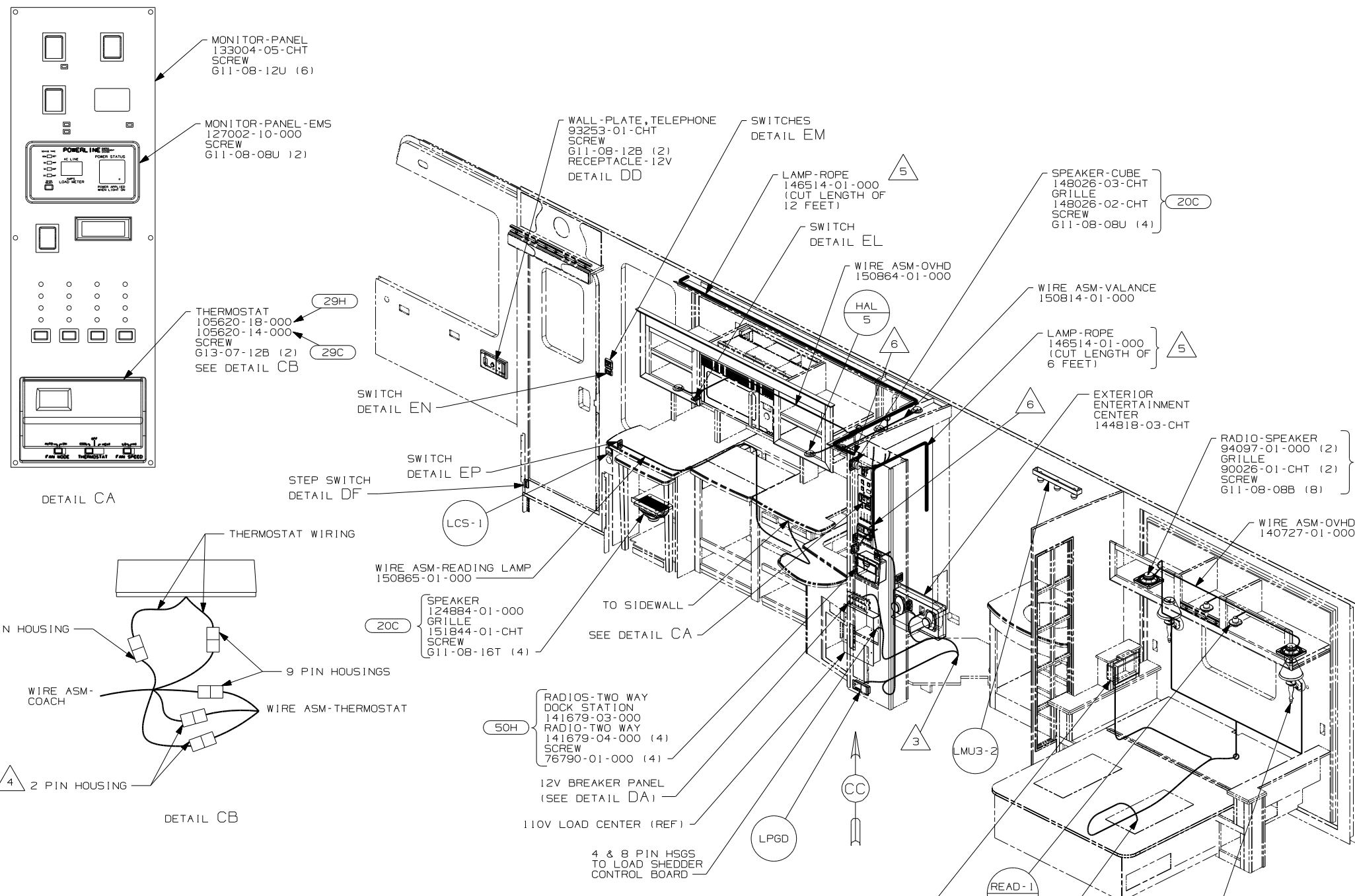
If you lack the skills, tools or equipment to perform diagnostic or repair work leave such work to an authorized Winnebago Industries dealer or other qualified shop.



- NOTES:
- 1. ALL WIRES TO BE CLAMPED WITH CLAMP 104495-01-000 OR WIRE TIE 8343-02-000 EVERY 600MM, UNLESS OTHERWISE SPECIFIED.
 - 2. SEE WIRING DIAGRAM-BODY, 12V FOR ADDITIONAL INFORMATION.

- (951) STAINLESS STEEL PACKAG
- (20F) DELUXE SOUND SYSTEM-WITHOUT
- (20C) SOUND SYS. DLX. W/O-SURROUND
- (265) CODES/STANDARDS-CSA/CMVSS
- (IBI) CODES/STANDARDS USA
- (WIN) WINNEBAGO ONLY
- (ITA) ITASCA ONLY

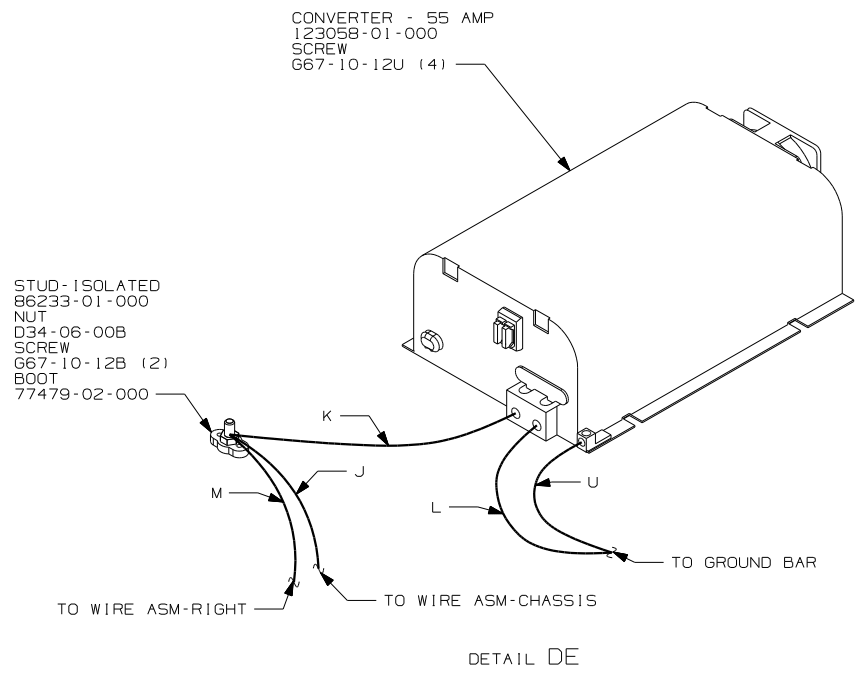
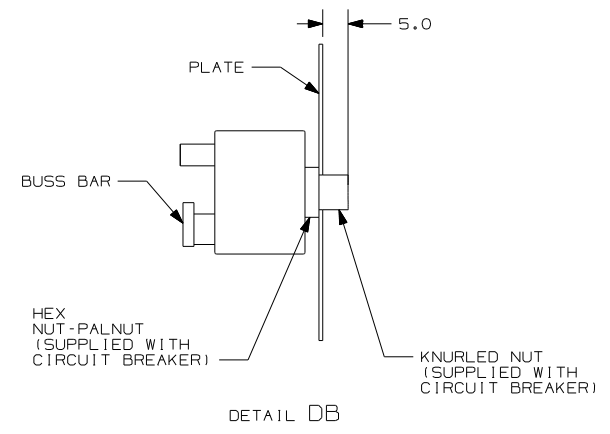
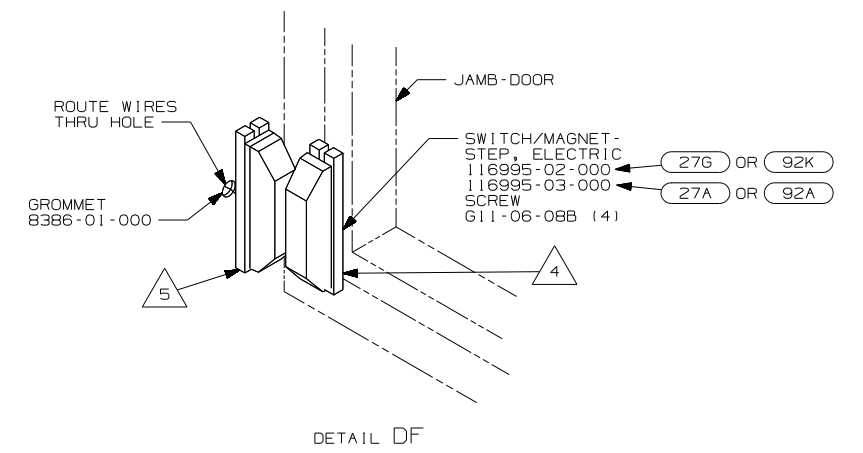
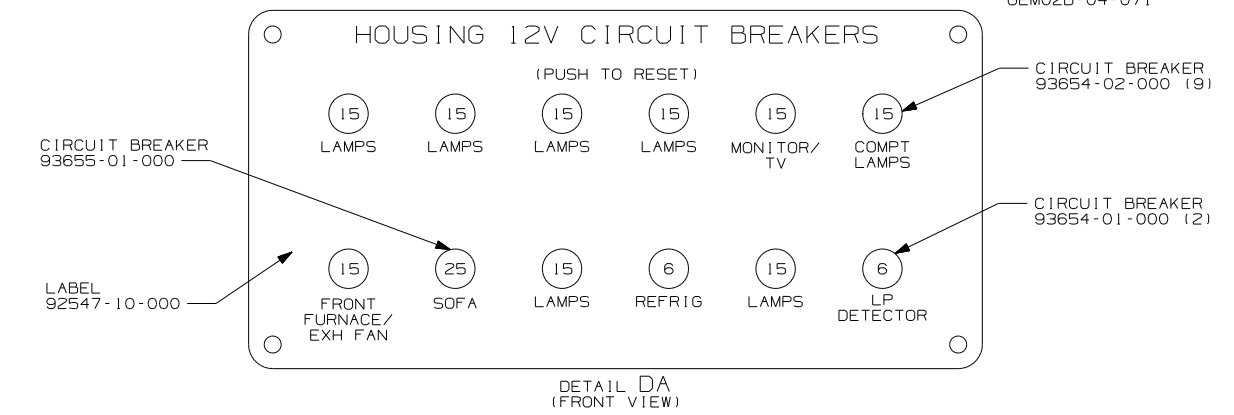
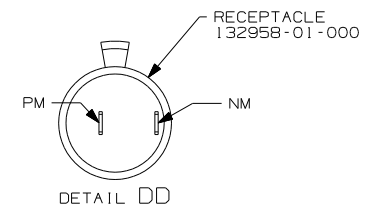
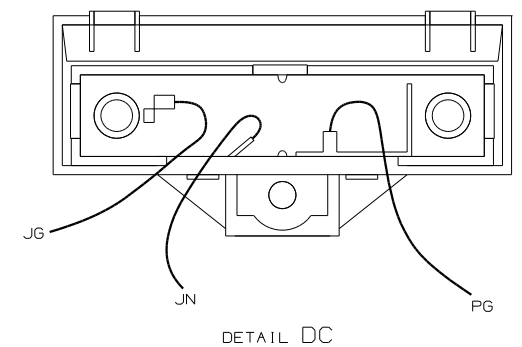
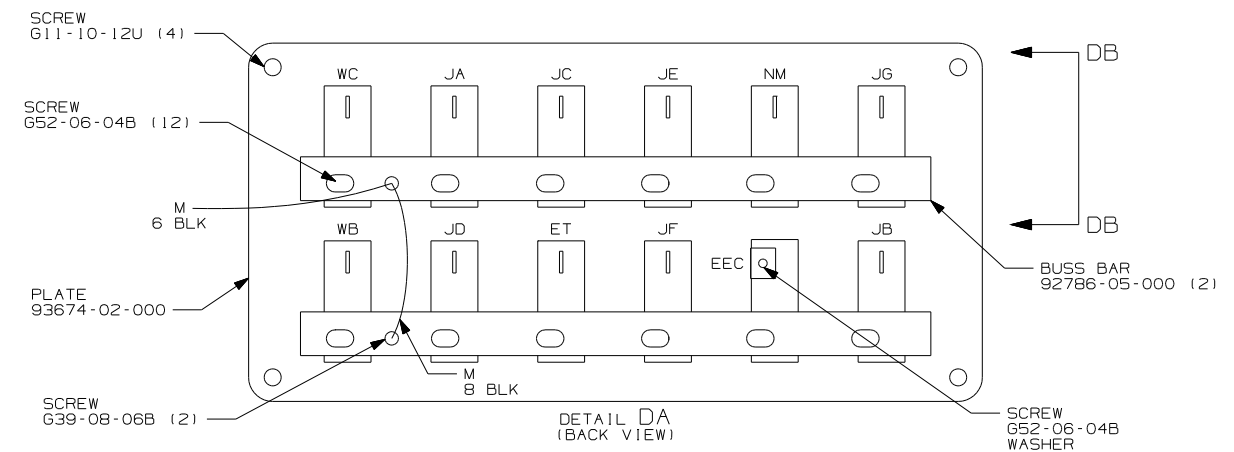
FIRST USED	
05 G35A	
DO NOT SCALE DRAWING	
TITLE: WIRING INSTL.-BODY, 12V	
SHEET 2	PART NO 150622



- NOTES:
1. ALL WIRES TO BE CLAMPED WITH CLAMP 104495-01-000 OR WIRE TIE 8343-02-000 EVERY 600MM, UNLESS OTHERWISE SPECIFIED.
 2. SEE WIRING DIAGRAM-BODY,12V FOR ADDITIONAL INFORMATION.
 3. WIRE PASSES THROUGH FLOOR AT THIS POINT.
 4. WITHOUT (29H) PLUG THESE TWO PIN HSGS TOGETHER ON WIRE ASM-THERMOSTAT.
 5. CUT ROPE LIGHT AT X MARKS ON LIGHT AND INSTALL CONNECTOR 146514-02-000.
 6. PLACE CONNECTOR HERE TO MAKE CONNECTION TO WIRE ASM, USE CONNECTOR 58028-01-000 (2).

- (9S1) STAINLESS STEEL PACKAGE
- (50H) RADIOS TWO-WAY (4)
- (29H) A/C CENTRAL-HEAT PUMP
- (29C) A/C CENTRAL
- (25E) STEREO SYSTEM W/CD REAR
- (20C) SOUND SYS. DLX. W/O-SURROUND
- (265) CODES/STANDARDS-CSA/CMVSS
- (1B1) CODES/STANDARDS USA
- (WIN) WINNEBAGO ONLY
- (ITA) ITASCA ONLY

FIRST USED	05 G35A
TITLE	DO NOT SCALE DRAWING
WIRING INSTL.-BODY,12V	
SHEET 3	PART NO 150622



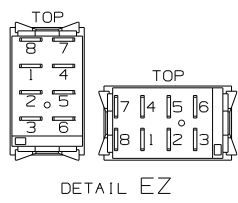
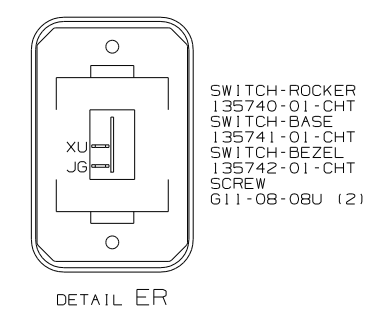
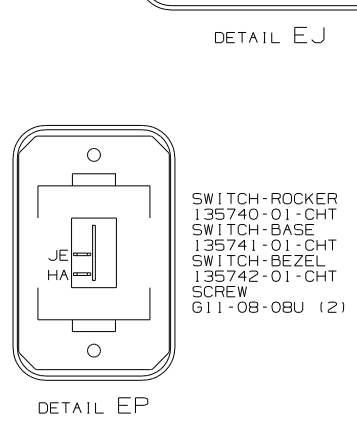
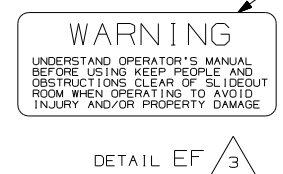
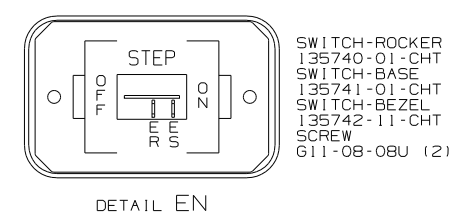
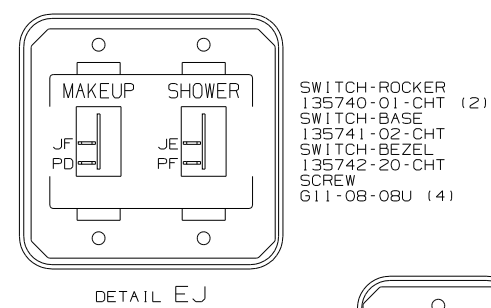
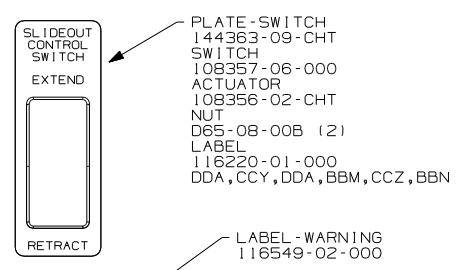
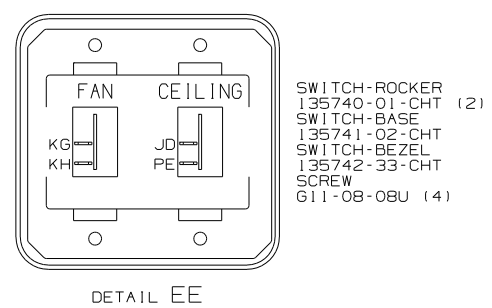
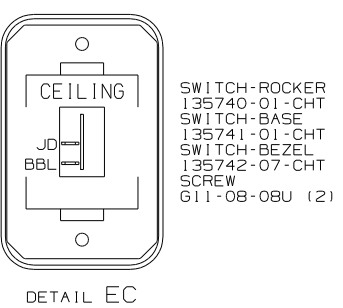
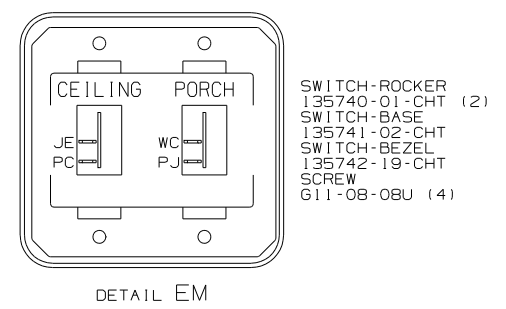
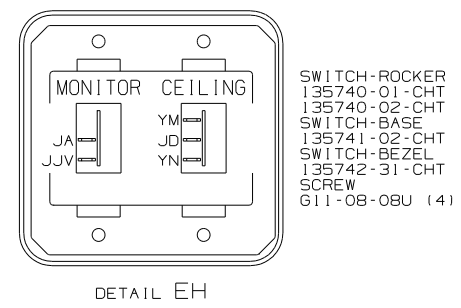
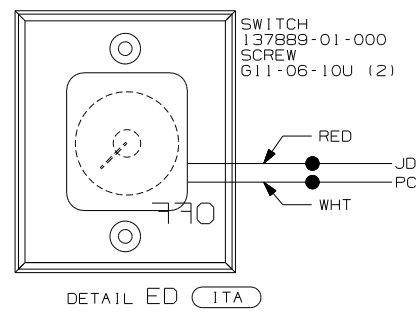
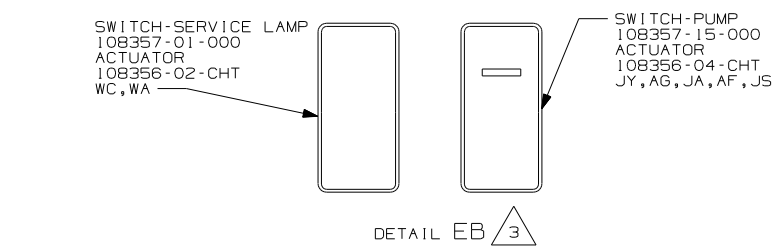
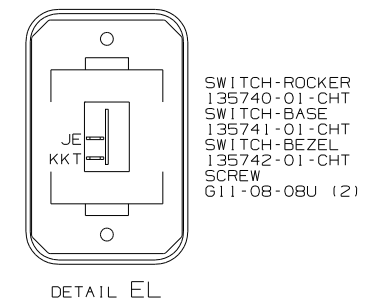
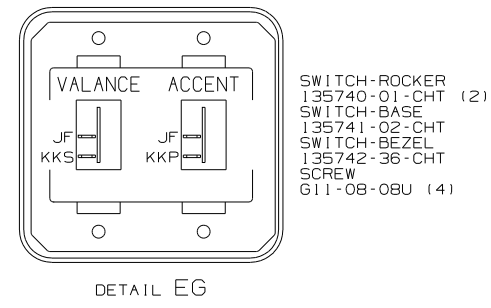
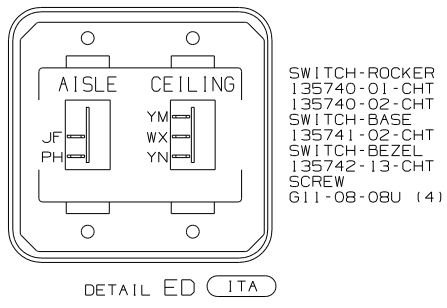
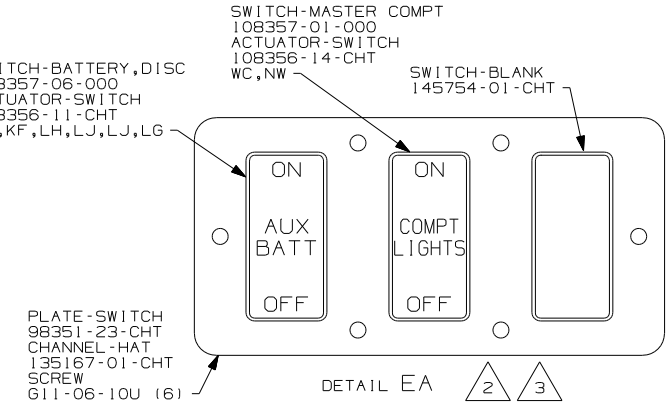
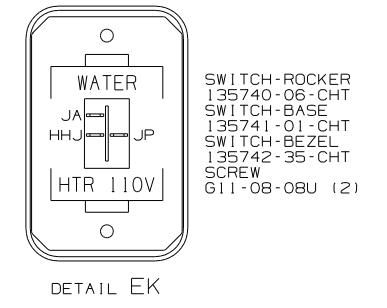
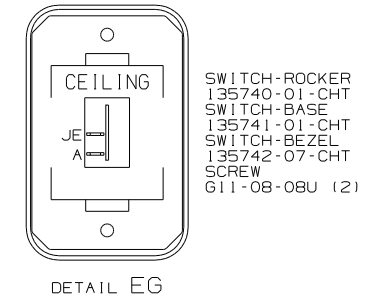
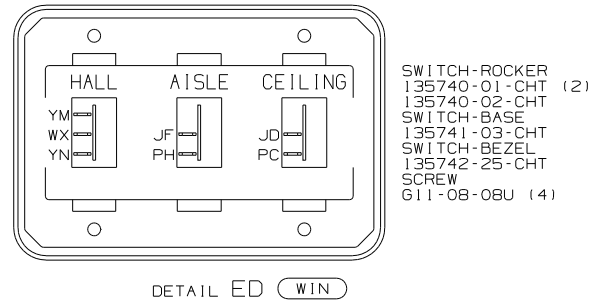
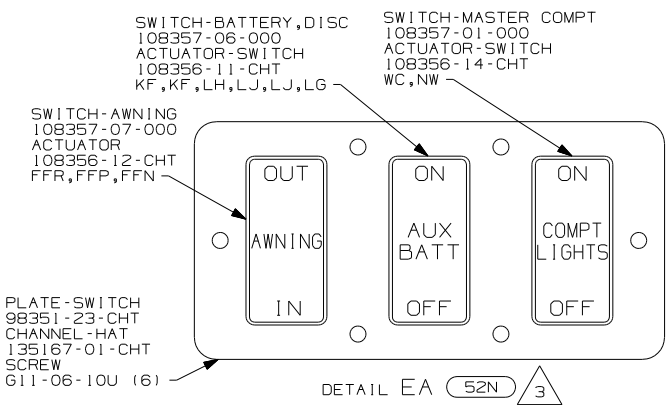
- 5 MOUNT SWITCH AND SPACER TO BLOCK ON JAMB ADJUST HEIGHT TO MATCH MAGNET.
- 4 MOUNT MAGNET USING PILOT HOLES IN SCREEN DOOR FRAME. MOUNT WITH MAGNET TOWARD SWITCH.
- 3 WIRE PASSES THROUGH FLOOR AT THIS POINT.

2. SEE WIRING DIAGRAM-BODY,12V FOR ADDITIONAL INFORMATION.
1. ALL WIRES TO BE CLAMPED WITH CLAMP 104495-01-000 OR WIRE TIE 8343-02-000 EVERY 600MM, UNLESS OTHERWISE SPECIFIED.

- 92K EXTERIOR GRAPHICS PACKAGE #2
- 92A EXT FULL BODY PAINT PKG # 2
- 276 EXTERIOR GRAPHICS PACKAGE #1
- 27A EXT FULL BODY PAINT PKG #1
- 265 CODES/STANDARDS-CSA/CMVSS
- 1B1 CODES/STANDARDS USA

FIRST USED	05 G35A
TITLE	DO NOT SCALE DRAWING
	WIRING INSTL.-BODY,12V
SHEET 4	PART NO 150622

NOTES:



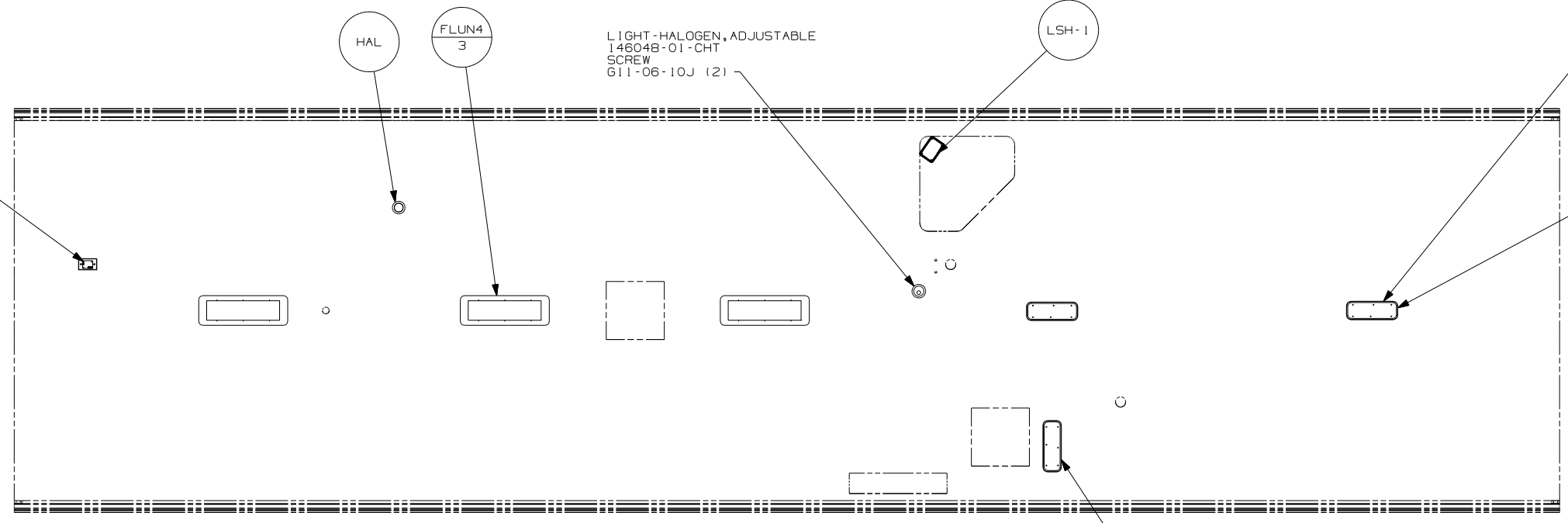
- 265 CODES/STANDARDS-CSA/CMVSS
- IB1 CODES/STANDARDS USA
- ITA ITASCA ONLY
- WIN WINNEBAGO ONLY

3 FOR SWITCH ORIENTATION SEE DETAIL EZ.
2 WITHOUT 52N

1. SWITCHES ARE TO BE INSTALLED AS SHOWN ON THIS DRAWING.
NOTES:

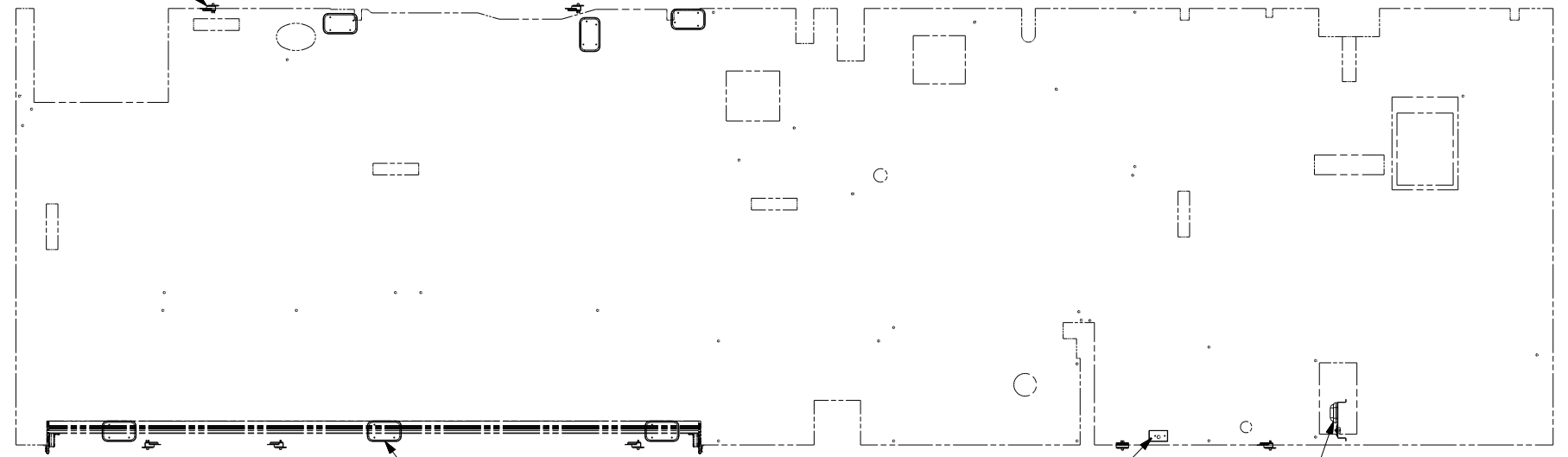
FIRST USED	05 G35A
TITLE	DO NOT SCALE DRAWING
WIRING INSTL.-BODY, 12V	
SHEET 5	PART NO 150622

SATELLITE
ELEVATION
SENSOR
DETAIL GE



LIGHT
93575-33-CHT
BULB
117805-02-000 (4)
SCREW
611-08-16U (3)
CONNECTOR
58-28-01-000 (2)

SWITCH-PUSHBUTTON
41250-01-000 (7)
BRACKET-SWITCH, LIGHT
138494-01-CHT (7)
SCREW
G39-08-12T (14)
G55-08-12B (14)
SCREW COVER
93249-01-000 (28)



WASHER-PLASTIC
87080-02-CHT (5)
SCREW
611-08-08B (10)

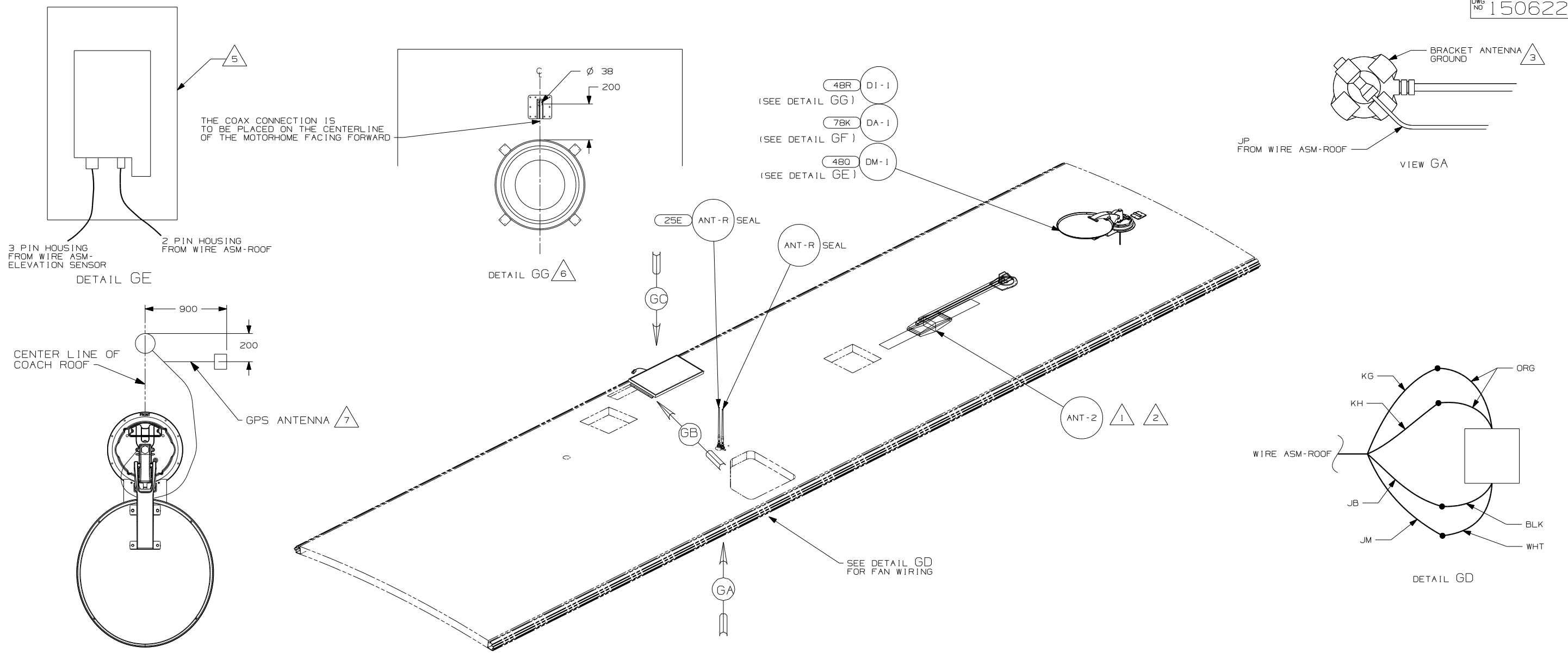
LAMP
86280-01-000
G67-10-12U (4)
CONNECTOR
58028-01-000 (2)

- (48V) LIGHTS-FLUORESCENT
- (48M) LIGHTS- INCANDESCEN
- (265) CODES/STANDARDS-CSA/CMVSS
- (IB1) CODES/STANDARDS USA
- (WIN) WINNEBAGO ONLY
- (ITA) ITASCA ONLY

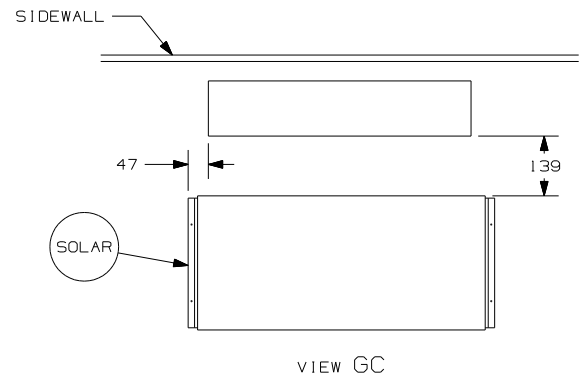
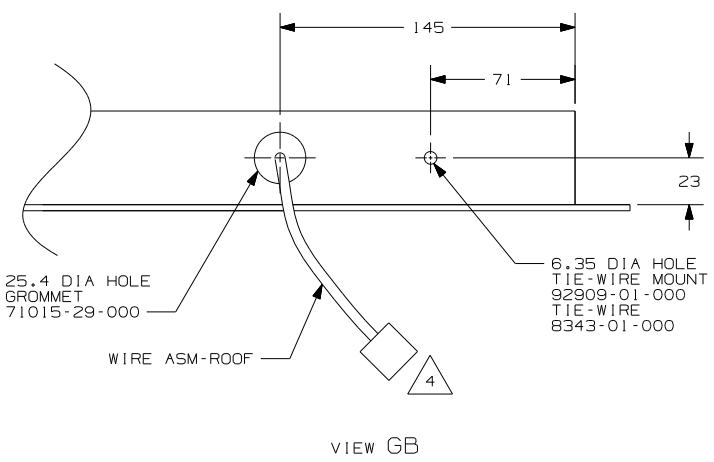
(IB1) (265) (48M) (48V)

- NOTES:
- (2) LAMP LOCATED IN POWER CORD COMPARTMENT.
 - (1) LAMP LOCATED IN SERVICE COMPARTMENT.

FIRST USED	05 G35A
TITLE	DO NOT SCALE DRAWING
	WIRING INSTL.-BODY, 12V
SHEET 6	PART NO 150622



- NOTES:
- 7 MOUNT GPS ANTENNA TO THE RIGHT OF THE SATELLITE AS SHOWN. SECURE CABLE WITH ROOF SEALANT.
 - 6 REMOVE ALL SHIPPING RESTRAINTS AND FIRMLY INSERT THE SUPPLIED PLUGS INTO THE APPROPRIATE SIZED HOLES AS SPECIFIED IN THE INSTALLATION PROCESS.
 - 5 SENSOR SUPPLIED WITH SATELLITE ASSEMBLY.
 - 4 FASTEN TO VENT.
 - 3 WRAP BRACKET LEGS AROUND ANTENNA BASE.
 - 2 ADD RUBBER BUMPERS TO ROOF UNDER EACH END OF ANTENNA TO PREVENT CONTACT WITH THE ROOF. SEE DWG 76319-01-000 FOR INSTALLATION OF TV ANTENNA.
 - 1



- 78K SATELLITE DISH-AUTOMATIC
- 48R SAT SYS IN-MOTION W/O RCVR
- 480 SATELLITE DISH & ELEV.SENSOR
- 25E STEREO SYSTEM W/CD REAR
- 265 CODES/STANDARDS-CSA/CMVSS
- 1B1 CODES/STANDARDS USA

FIRST USED	05 G35A
TITLE	DO NOT SCALE DRAWING
WIRING INSTL.-BODY, 12V	
SHEET 7	PART NO 150622