



**DANGER**

**Danger of electrical shock, burns or death.** Always remove all power sources before attempting any repair, service or diagnostic work. Power can be present from shore power, generator, inverter or battery. All power sources must be disabled and secured before performing any service.

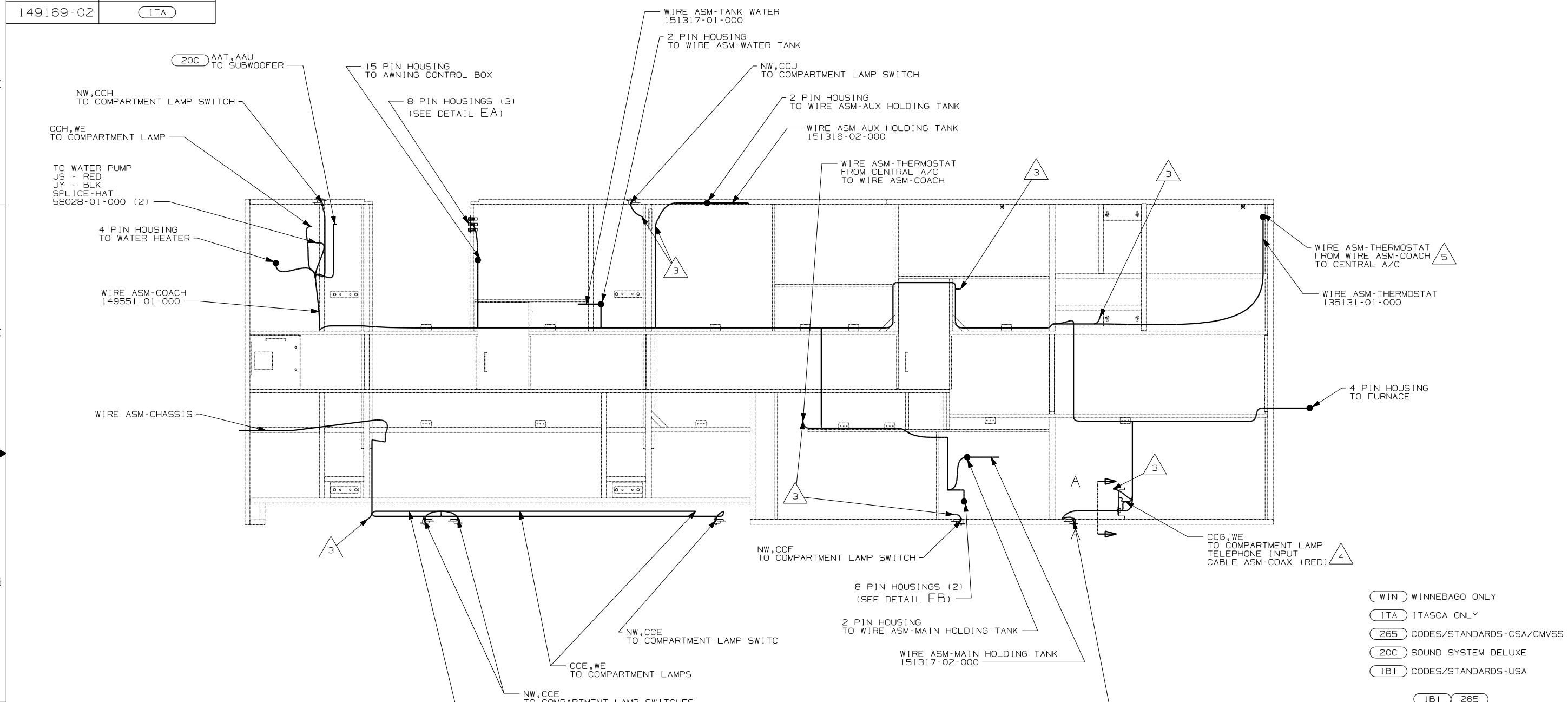


**CAUTION**

If you lack the skills, tools or equipment to perform diagnostic or repair work leave such work to an authorized Winnebago Industries dealer or other qualified shop.

DRAWING NO.	FEATURE
149169-01	(WIN)
149169-02	(ITA)

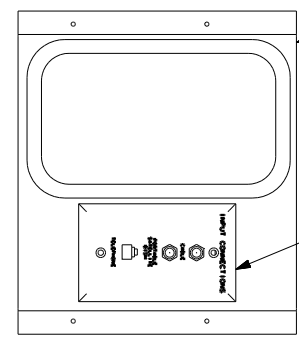
RELEASE	REV DATE	DWG NO
A		149169
REV ZONE	REVISION RECORD	DATE
		DFTR-0016



- (WIN) WINNEBAGO ONLY
- (ITA) ITASCA ONLY
- (265) CODES/STANDARDS-CSA/CMVSS
- (20C) SOUND SYSTEM DELUXE
- (1B1) CODES/STANDARDS-USA

(1B1) (265)

<b>WINNEBAGO</b>		COPYRIGHT 2004 WINNEBAGO INDUSTRIES, INC.	
DFTR	ORIG. DATE	ALL DIMENSIONS ARE IN MILLIMETERS	
CHKR		MATERIAL:	
P.E.		WHOLE DIM (X)	: 1
M.E.	FIRST USED	ONE-PLACE (X.X)	: 1.5
DSNR	05 G33V	TWO-PLACE (X.XX)	: 0.50
UNSPECIFIED TOLERANCES ARE:		ANGLE	: 1°
THIRD ANGLE PROJECTION			
DO NOT SCALE DRAWING			
TITLE: WIRING INSTL-BODY,12V			
SHEET 1 of 7	PART NO	149169	



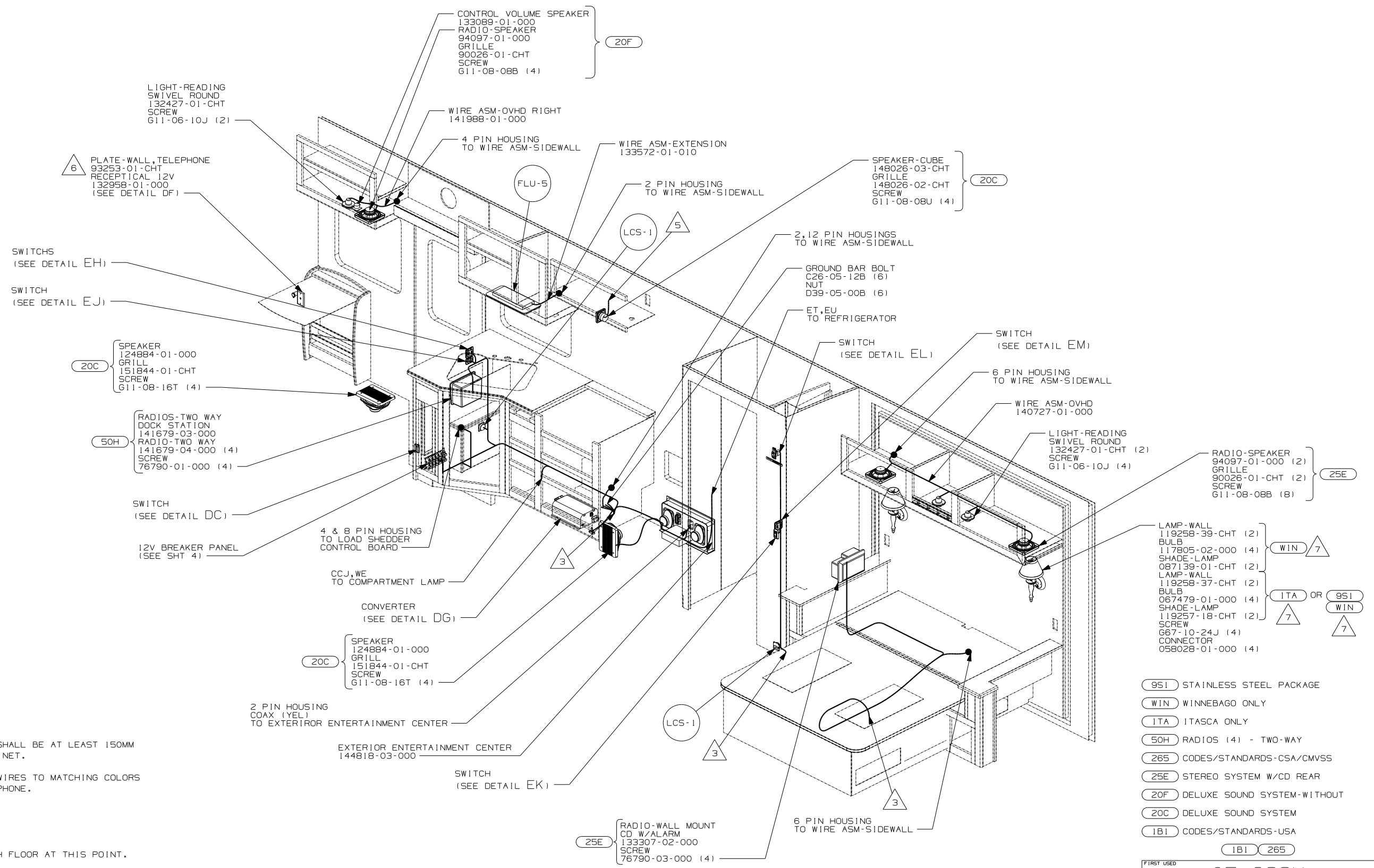
SECTION A-A

FOR ELECTRICAL TORQUE SPECIFICATIONS SEE DWG NO. 128783-01-000

(X-X) FOR ELECTRICAL CALLOUTS SEE DWG NO. 121339-01-000

- NOTES:
1. ALL WIRES TO BE CLAMPED WITH CLAMP 10495-01-000 OR WIRE TIE 8343-02-000 EVERY 600MM, UNLESS OTHERWISE SPECIFIED.
  2. SEE WIRING DIAGRAM-BODY,12V FOR ADDITIONAL INFORMATION.
- △ 5 FOR ADDITIONAL INFORMATION SEE CENTRAL A/C INSTALLATION.
- △ 4 CONNECT TELEPHONE WIRES TO MATCHING COLORS ON PLATE-WALL, TELEPHONE.
- △ 3 WIRE PASSES THROUGH FLOOR AT THIS POINT.





- 7 TOP OF LAMP SHADE SHALL BE AT LEAST 150MM BELOW OVERHEAD CABINET.
- 6 CONNECT TELEPHONE WIRES TO MATCHING COLORS ON PLATE-WALL, TELEPHONE.
- 5 WIRE IN ROOF.
- 4 WIRE IN SIDEWALL.
- 3 WIRE PASSES THROUGH FLOOR AT THIS POINT.

2. SEE WIRING DIAGRAM-BODY, 12V FOR ADDITIONAL INFORMATION.

1. ALL WIRES TO BE CLAMPED WITH CLAMP 10495-01-000 OR WIRE TIE 8343-02-000 EVERY 600MM, UNLESS OTHERWISE SPECIFIED.

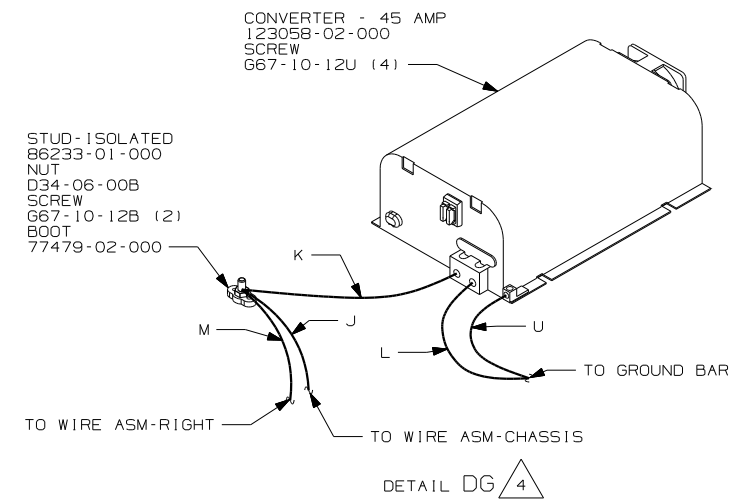
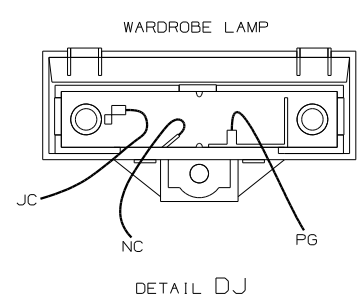
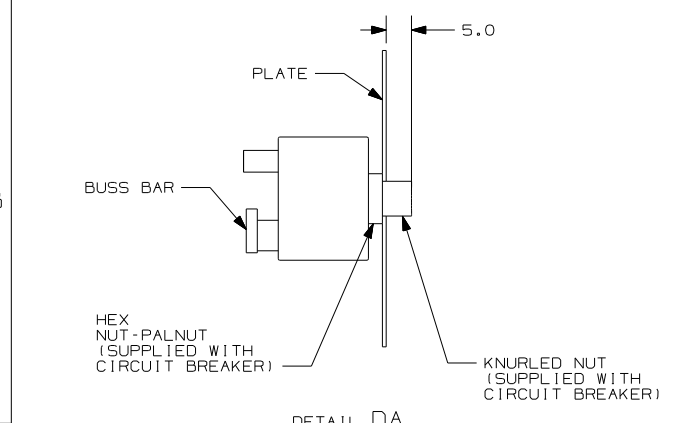
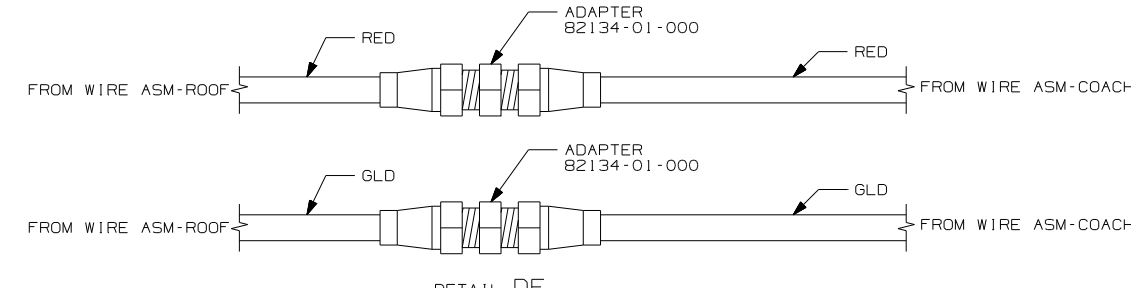
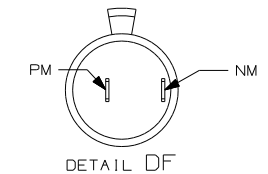
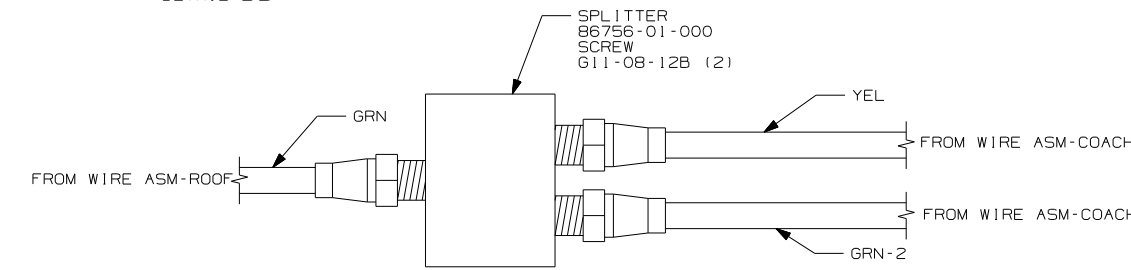
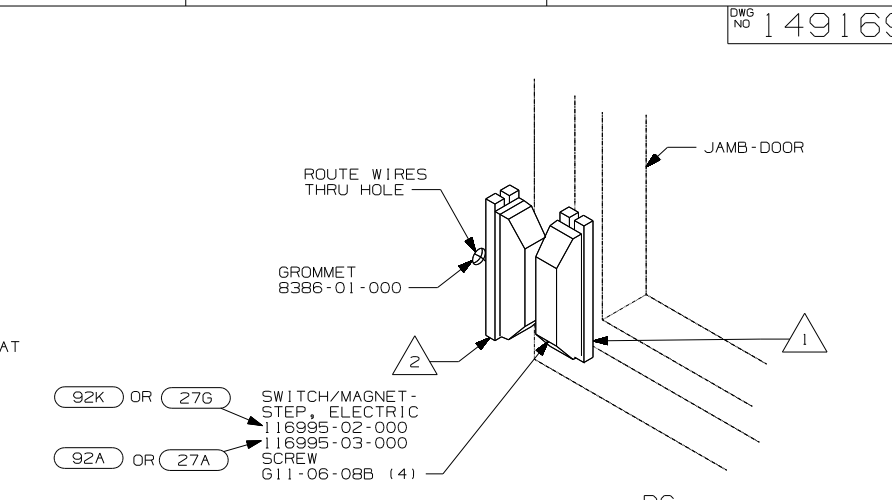
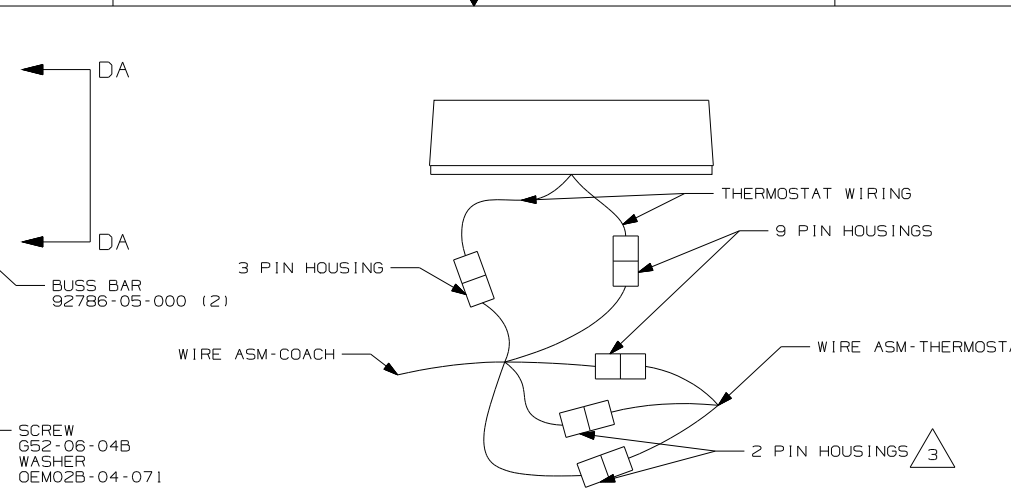
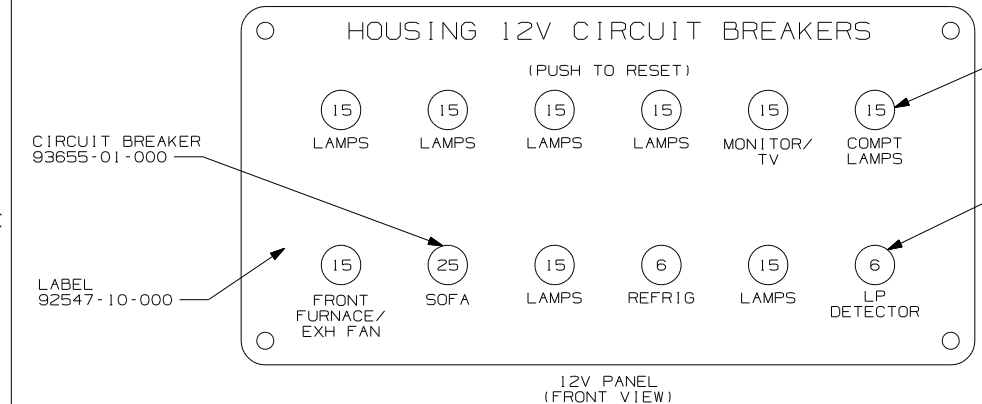
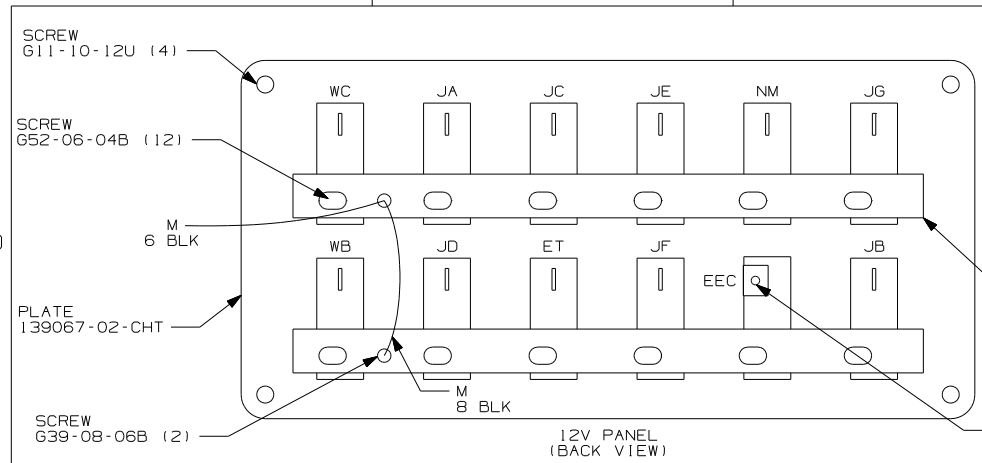
NOTES:

- 951 STAINLESS STEEL PACKAGE
- WIN WINNEBAGO ONLY
- ITA ITASCA ONLY
- 50H RADIOS (4) - TWO-WAY
- 265 CODES/STANDARDS-CSA/CMVSS
- 25E STEREO SYSTEM W/CD REAR
- 20F DELUXE SOUND SYSTEM-WITHOUT
- 20C DELUXE SOUND SYSTEM
- 1B1 CODES/STANDARDS-USA

FOR ELECTRICAL TORQUE SPECIFICATIONS SEE DWG NO. 128783-01-000

FOR ELECTRICAL CALLOUTS SEE DWG NO. 121339-01-000

FIRST USED	05 G33V
TITLE	DO NOT SCALE DRAWING
	WIRING INSTL-BODY, 12V
SHEET 3	PART NO 149169



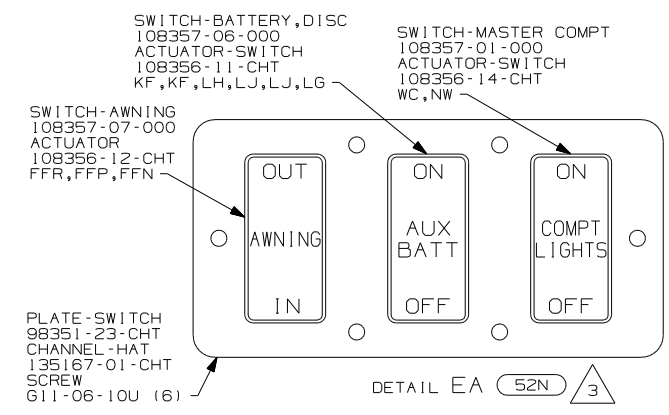
- NOTES:
- 4 FOR POSITIONING DIMENSIONS SEE WIRING INSTL-BODY, 110V SHT 4.
  - 3 WITHOUT 29H PLUG THE TWO PIN HOUSINGS TOGETHER ON WIRE ASM-THERMOSTAT.
  - 2 MOUNT SWITCH AND SPACER TO BLOCK ON JAMB ADJUST HEIGHT TO MATCH MAGNET.
  - 1 MOUNT MAGNET USING PILOT HOLES IN SCREEN DOOR FRAME. MOUNT WITH MAGNET TOWARD SWITCH.

- 92K EXTERIOR GRAPHICS PACKAGE #2
- 92A EXT FULL BODY PAINT PKG # 2
- 29H HEAT PUMP - A/C CENTRAL
- 276 EXTERIOR GRAPHICS PACKAGE #1
- 27A EXT FULL BODY PAINT PKG #1
- 265 CODES/STANDARDS - CSA/CMVSS
- 1B1 CODES/STANDARDS - USA

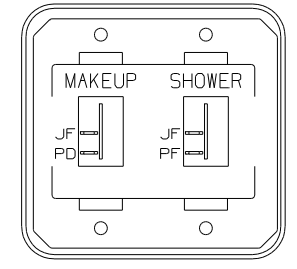
FOR ELECTRICAL TORQUE SPECIFICATIONS SEE DWG NO. 128783-01-000

FOR ELECTRICAL CALLOUTS SEE DWG NO. 121339-01-000

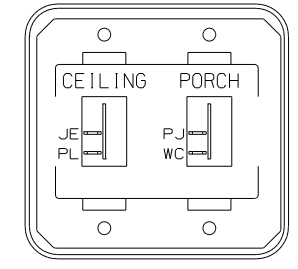
FIRST USED	05 G33V
DO NOT SCALE DRAWING	
TITLE:	WIRING INSTL-BODY, 12V
SHEET 4	PART NO 149169



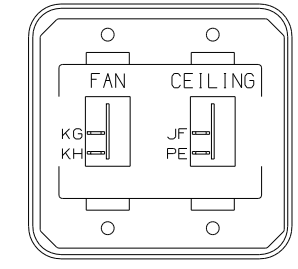
DETAIL EA (52N) 3



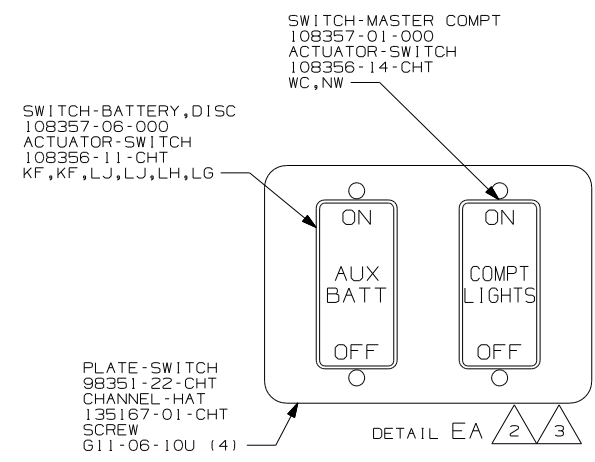
DETAIL ED



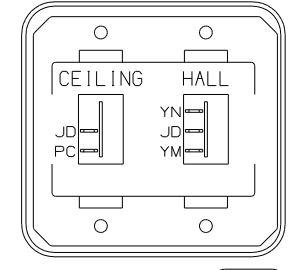
DETAIL EH



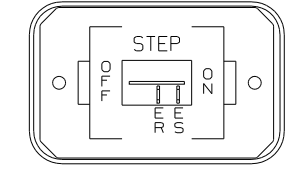
DETAIL EM



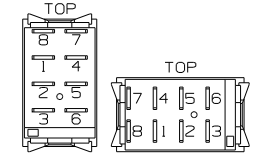
DETAIL EA 2 3



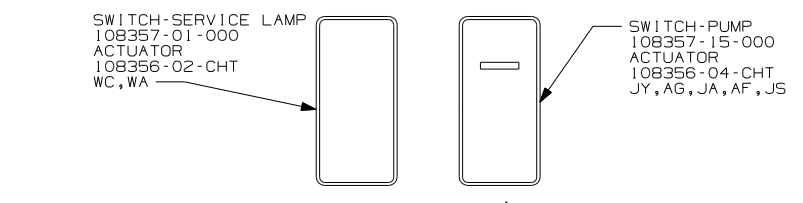
DETAIL EE (WIN)



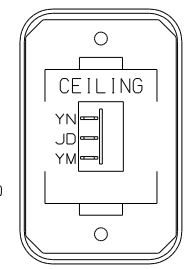
DETAIL EJ



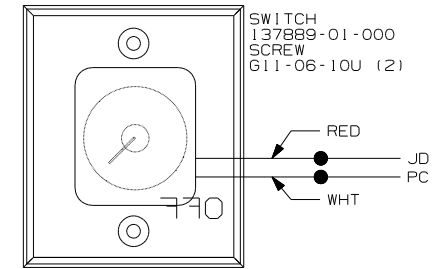
DETAIL EN



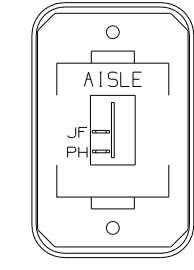
DETAIL EB 3



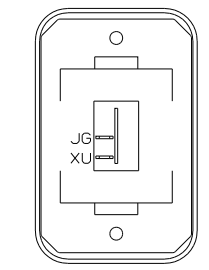
DETAIL EE (ITA)



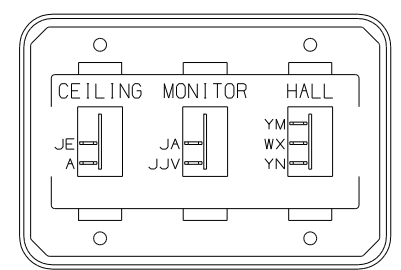
SWITCH 137889-01-000  
SCREW 611-06-10U (2)



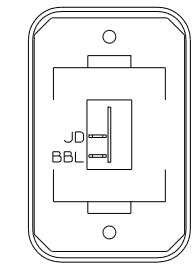
DETAIL EK



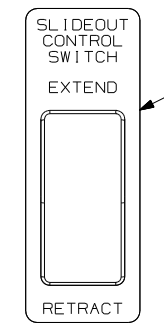
DETAIL EM



DETAIL EC



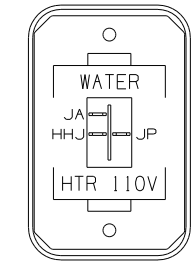
DETAIL EF



DETAIL EL 3

**WARNING** UNDERSTAND OPERATOR'S MANUAL BEFORE USING. KEEP PEOPLE AND OBSTRUCTIONS CLEAR OF SLIDEOUT ROOM WHEN OPERATING TO AVOID INJURY AND/OR PROPERTY DAMAGE.

LABEL-WARNING 116549-01-000



DETAIL EG

SWITCH-ROCKER 135740-06-CHT  
SWITCH-BASE 135741-01-CHT  
SWITCH-BEZEL 135742-35-CHT  
SCREW 611-08-08U (2)

3 FOR SWITCH ORIENTATION SEE DETAIL EN.  
2 WITHOUT (52N).

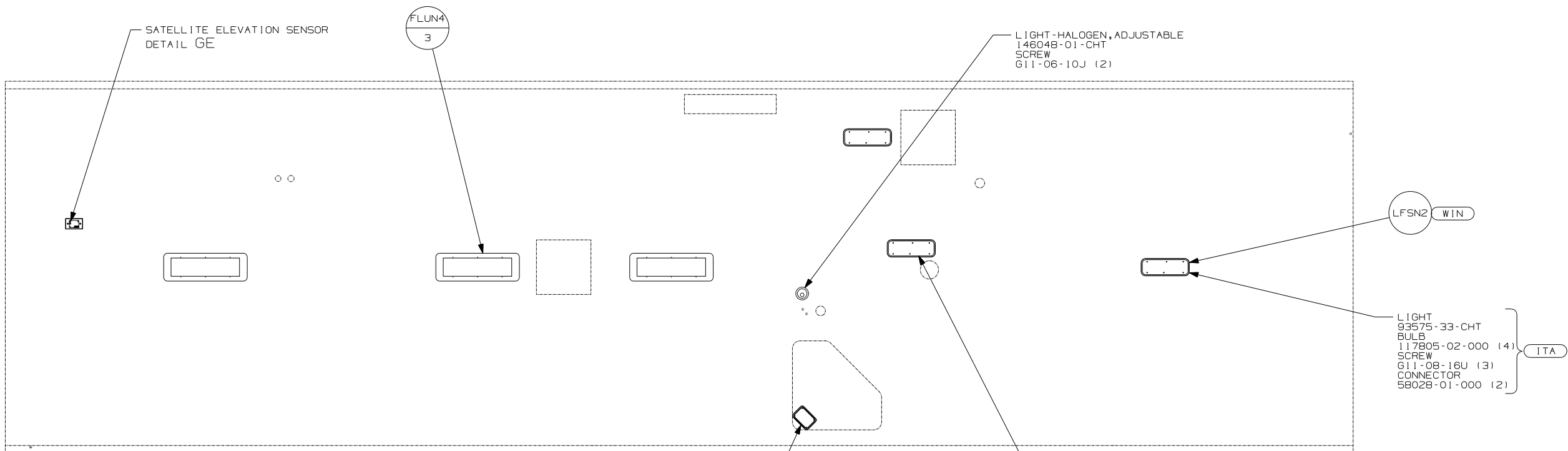
1. SWITCHES ARE TO BE INSTALLED AS SHOWN ON THIS DRAWING.  
NOTES:

FOR ELECTRICAL TORQUE SPECIFICATIONS SEE DWG NO. 128783-01-000

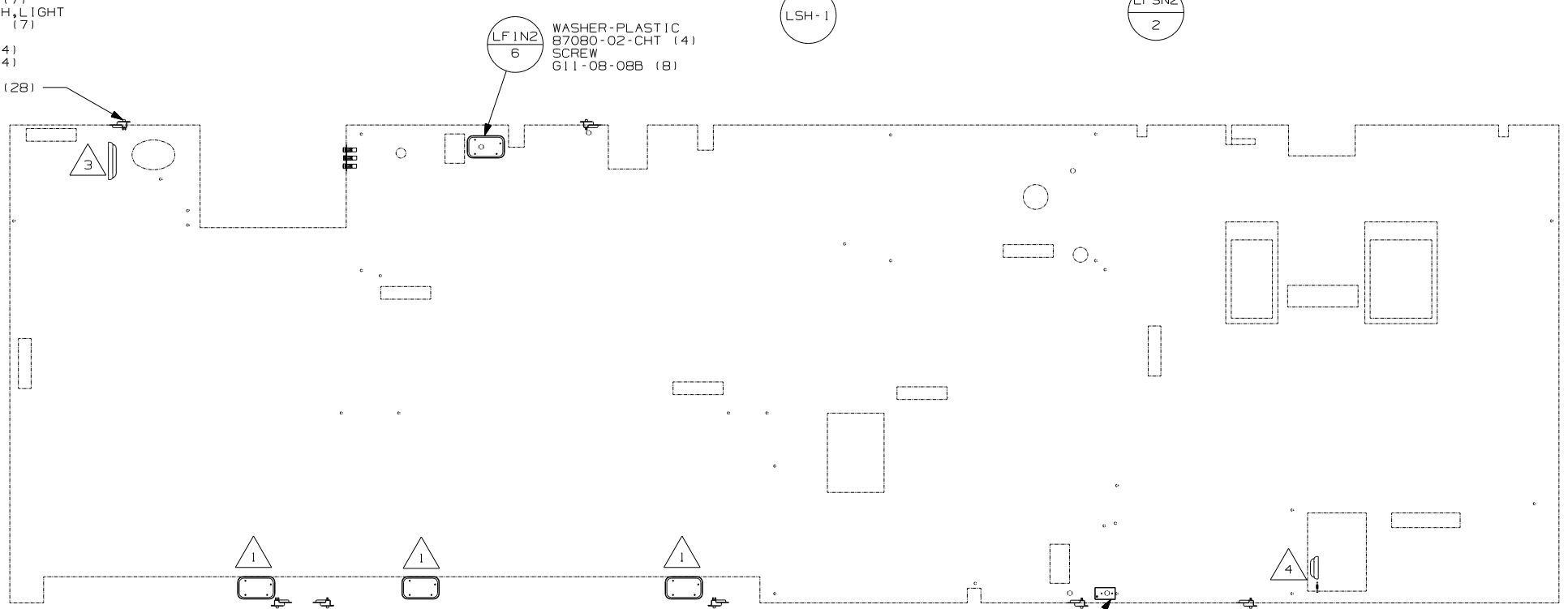
X-X FOR ELECTRICAL CALLOUTS SEE DWG NO. 121339-01-000

- (WIN) WINNEBAGO ONLY
- (ITA) ITASCA ONLY
- (52N) AWNING-PATIO, ELECTRIC
- (265) CODES/STANDARDS-CSA/CMVSS
- (1B1) CODES/STANDARDS-USA

FIRST USED	05 G33V
TITLE	DO NOT SCALE DRAWING
SHEET 5	WIRING INSTL-BODY, 12V
PART NO	149169



- SWITCH-PUSHBUTTON  
41250-01-000 (7)
  - BRACKET-SWITCH, LIGHT  
138494-01-CHT (7)
  - SCREW  
G39-08-12T (14)
  - G55-08-12B (14)
  - SCREW COVER  
93249-01-000 (28)
- WASHER-PLASTIC  
87080-02-CHT (4)
  - SCREW  
G11-08-08B (8)



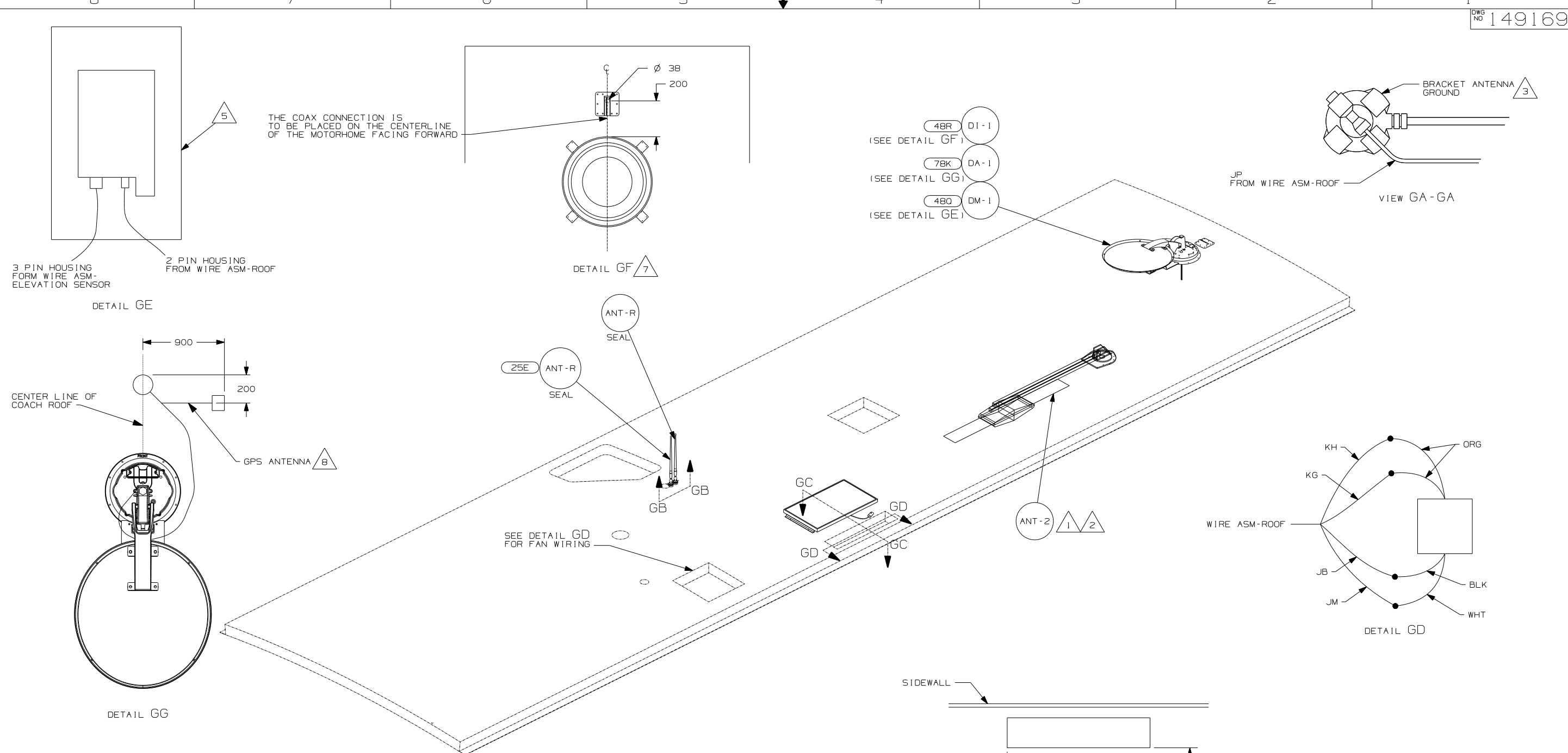
- WIN WINNEBAGO ONLY
- ITA ITASCA ONLY
- 48V LIGHTS-FLUORESCENT
- 48M LIGHTS-INCANDESCENT
- 265 CODES/STANDARDS-CSA/CMVSS
- 1B1 CODES/STANDARDS-USA

- NOTES:
- 3 LAMP LOCATED IN WATER HEATER COMPARTMENT.
  - 2 LAMP LOCATED IN SERVICE COMPARTMENT.
  - 1 LAMPS LOCATED IN SLIDEOUT.
  - 5 SPEAKER TO BE MOUNTED AT AN INWARD ANGLE OF 30 DEGREES FROM SIDEWALL.
  - 4 LAMP LOCATED IN POWER CORD COMPARTMENT.

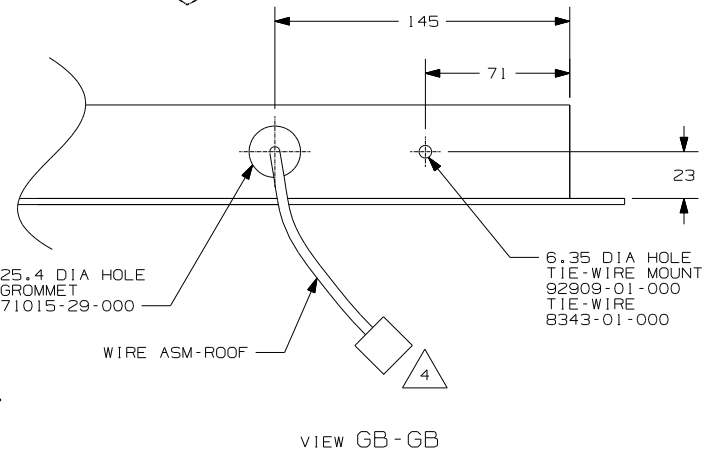
FOR ELECTRICAL TORQUE SPECIFICATIONS SEE DWG NO. 128783-01-000

FOR ELECTRICAL CALLOUTS SEE DWG NO. 121339-01-000

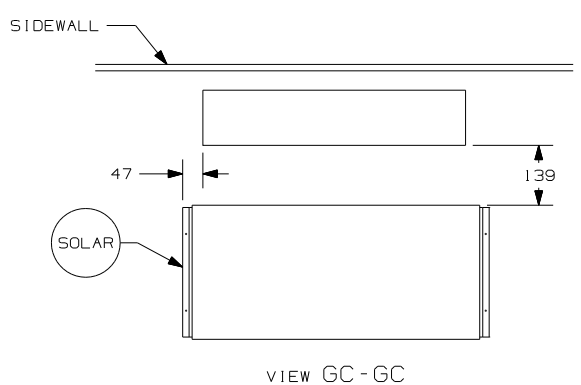
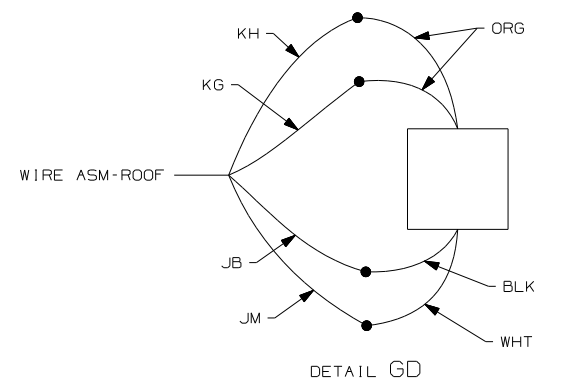
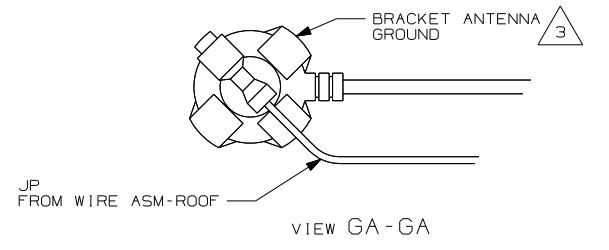
FIRST USED	05 G33V
DO NOT SCALE DRAWING	
TITLE:	WIRING INSTL-BODY, 12V
SHEET 6	PART NO 149169



- NOTES:
- 7 REMOVE ALL SHIPPING RESTRAINTS AND FIRMLY INSERT THE SUPPLIED PLUGS INTO THE APPROPRIATE SIZED HOLES AS SPECIFIED IN THE INSTALLATION PROCESS.
  - 6 MOUNT GPS ANTENNA TO THE RIGHT OF THE SATELLITE AS SHOWN. SECURE CABLE WITH ROOF SEALANT.
  - 5 SENSOR SUPPLIED WITH SATELLITE ASSEMBLY.
  - 4 FASTEN TO VENT.
  - 3 WRAP BRACKET LEGS AROUND ANTENNA BASE.
  - 2 ADD RUBBER BUMPERS TO ROOF UNDER EACH END OF ANTENNA TO PREVENT CONTACT WITH THE ROOF.
  - 1 SEE DWG 76319-01-000 FOR INSTALLATION OF TV ANTENNA.



- 4BR DI-1  
(SEE DETAIL GF)
- 7BK DA-1  
(SEE DETAIL GG)
- 4B0 DM-1  
(SEE DETAIL GE)



- 7BK SATELLITE DISH-AUTOMATIC
- 4BR SAT SYS IN-MOTION W/O RCVR
- 4B0 SATELLITE DISH & ELEV.SENSOR
- 265 CODES/STANDARDS-CSA/CMVSS
- 25E STEREO SYSTEM W/CD REAR
- 1B1 CODES STANDARDS-USA

FOR ELECTRICAL TORQUE SPECIFICATIONS SEE DWG NO. 128783-01-000

FOR ELECTRICAL CALLOUTS SEE DWG NO. 121339-01-000

FIRST USED	
05 G33V	
DO NOT SCALE DRAWING	
TITLE: WIRING INSTL-BODY, 12V	
SHEET 7	PART NO 149169