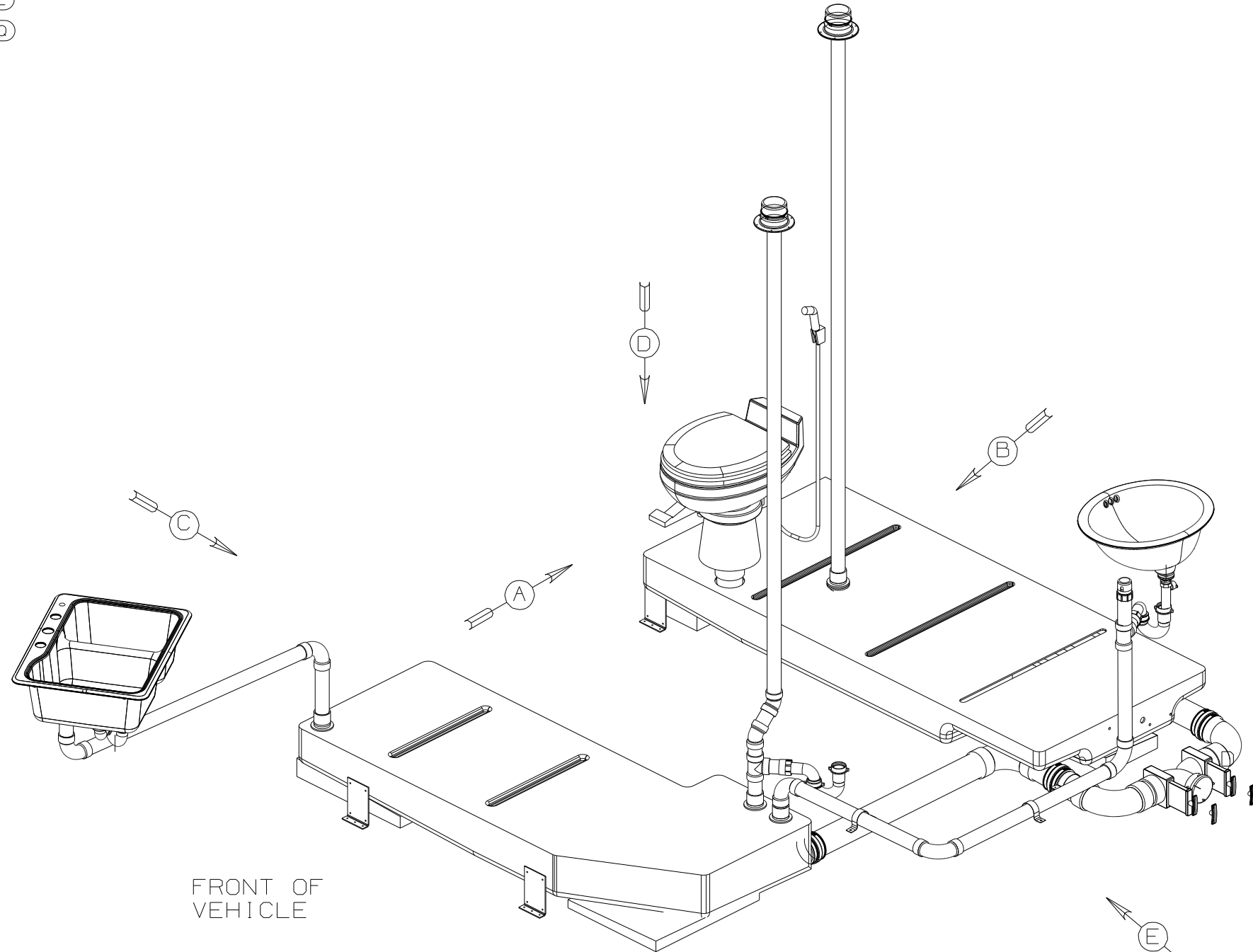


DWG NO	----
148725-01	(WIN)
148725-02	(ITA)

(43E)  
(430)

RELEASE	REV DATE	DWG NO
A		148725
REV ZONE	REVISION RECORD	DATE
		DFTR-ORIG



FRONT OF VEHICLE

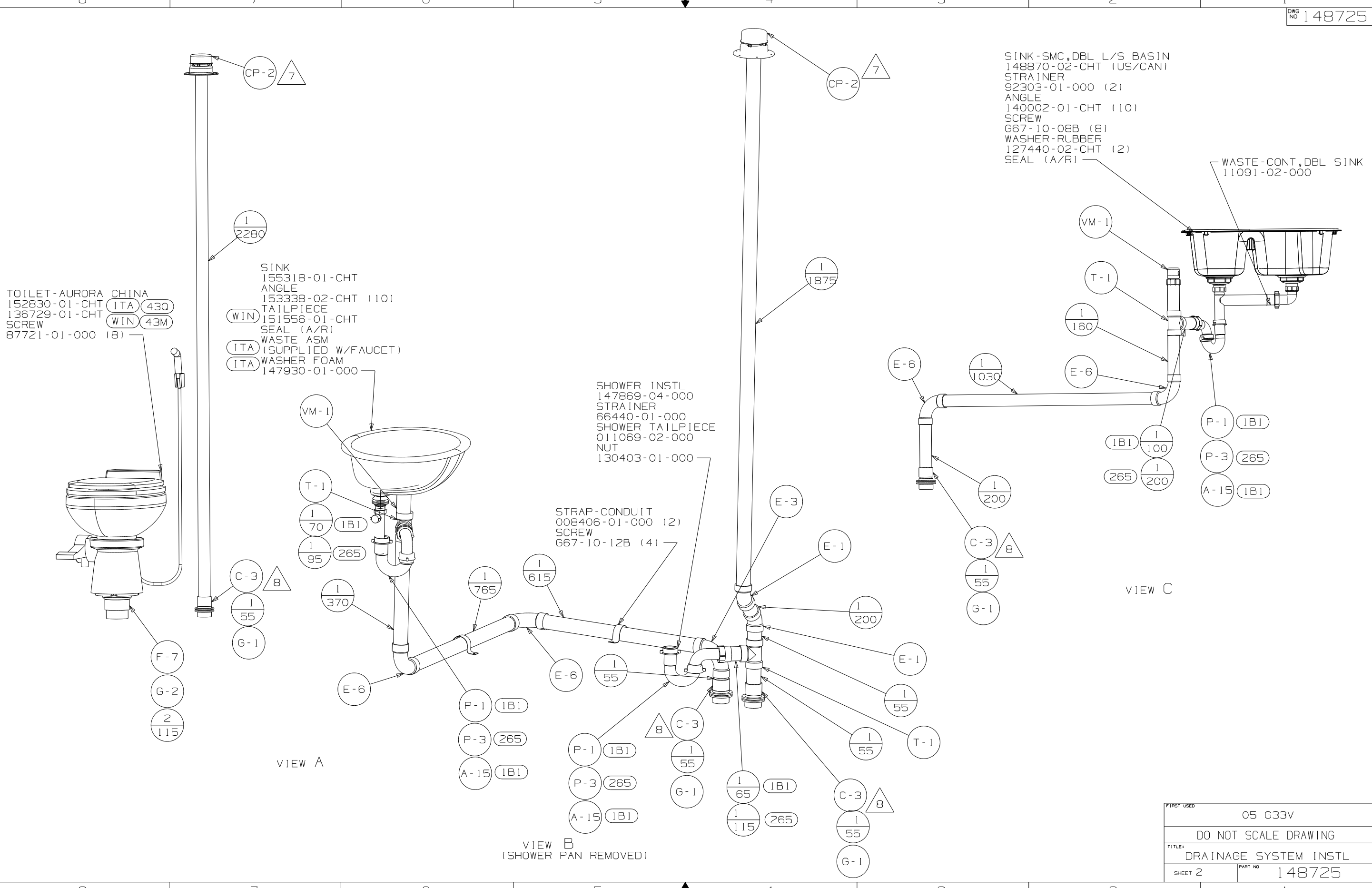
- (WIN) WINNEBAGO ONLY
- (ITA) ITASCA ONLY
- (265) CODES/STANDARDS-CSA/CMVSS
- (1B1) CODES/STANDARDS-USA
- (43Q) TOILET-PORCELAIN
- (43M) TOILET-PORCELAIN ELONGATED

8. SECURE VENT TUBES TO FLOOR WITH BRACKET 136878-01-CHT (3) CLAMP 62401-02-000 (3), SCREW G67-10-12B (3).
7. VENT PIPE MUST PROJECT 51 MIN AND 64 MAX ABOVE ROOF FOR PROPER FIT AND FUNCTION.
6. ROF CANADIAN UNITS EACH HOLDING TANK SHALL HAVE A CSA APPROVAL STAMPED NEAR THE IAMPO APPROVAL.
5. SEAL AROUND SHOWER WITH SILICONE.
4. ALL EXTERIOR OPENINGS AROUND PIPE TO BE SEALED WITH 100744-01-000.
3. ALL PIPE AND FITTINGS TO BE ASSEMBLED WITH SOLVENT 4020-01-000 (US), 4020-02-000 (CAN).
2. SLOPE OF TRAP ARM MUST BE 6 PER 305 mm.
1. SLOPE OF HORIZONTAL PIPING TO BE 6 PER 305 mm.

NOTES:

(X-X)  
FOR DRAINAGE CALLOUTS SEE DWG NO. 116229-01-000

<b>WINNEBAGO</b>		COPYRIGHT 2005 WINNEBAGO INDUSTRIES, INC.	
DFTR	ORIG. DATE	ALL DIMENSIONS ARE IN MILLIMETERS	
CHKR		MATERIAL:	
P.E.		UNSPECIFIED TOLERANCES ARE:	
M.E.	FIRST USED	WHOLE DIM (X)	: 3
DSNR	05 G33V	ONE-PLACE (X.X)	:
		TWO-PLACE (X.XX)	:
		ANGLE	:
		THIRD ANGLE PROJECTION	⊕
DO NOT SCALE DRAWING			
TITLE: DRAINAGE SYSTEM INSTL			
SHEET 1 OF 3	PART NO	148725	



TOILET-AURORA CHINA  
 152830-01-CHT (ITA) 430  
 136729-01-CHT (WIN) 43M  
 SCREW  
 87721-01-000 (8)

SINK  
 155318-01-CHT  
 ANGLE  
 153338-02-CHT (10)  
 TAILPIECE  
 151556-01-CHT  
 SEAL (A/R)  
 WASTE ASM  
 (SUPPLIED W/FAUCET)  
 WASHER FOAM  
 147930-01-000

SHOWER INSTL  
 147869-04-000  
 STRAINER  
 66440-01-000  
 SHOWER TAILPIECE  
 011069-02-000  
 NUT  
 130403-01-000

STRAP-CONDUIT  
 008406-01-000 (2)  
 SCREW  
 667-10-12B (4)

SINK-SMC, DBL L/S BASIN  
 148870-02-CHT (US/CAN)  
 STRAINER  
 92303-01-000 (2)  
 ANGLE  
 140002-01-CHT (10)  
 SCREW  
 667-10-08B (8)  
 WASHER-RUBBER  
 127440-02-CHT (2)  
 SEAL (A/R)

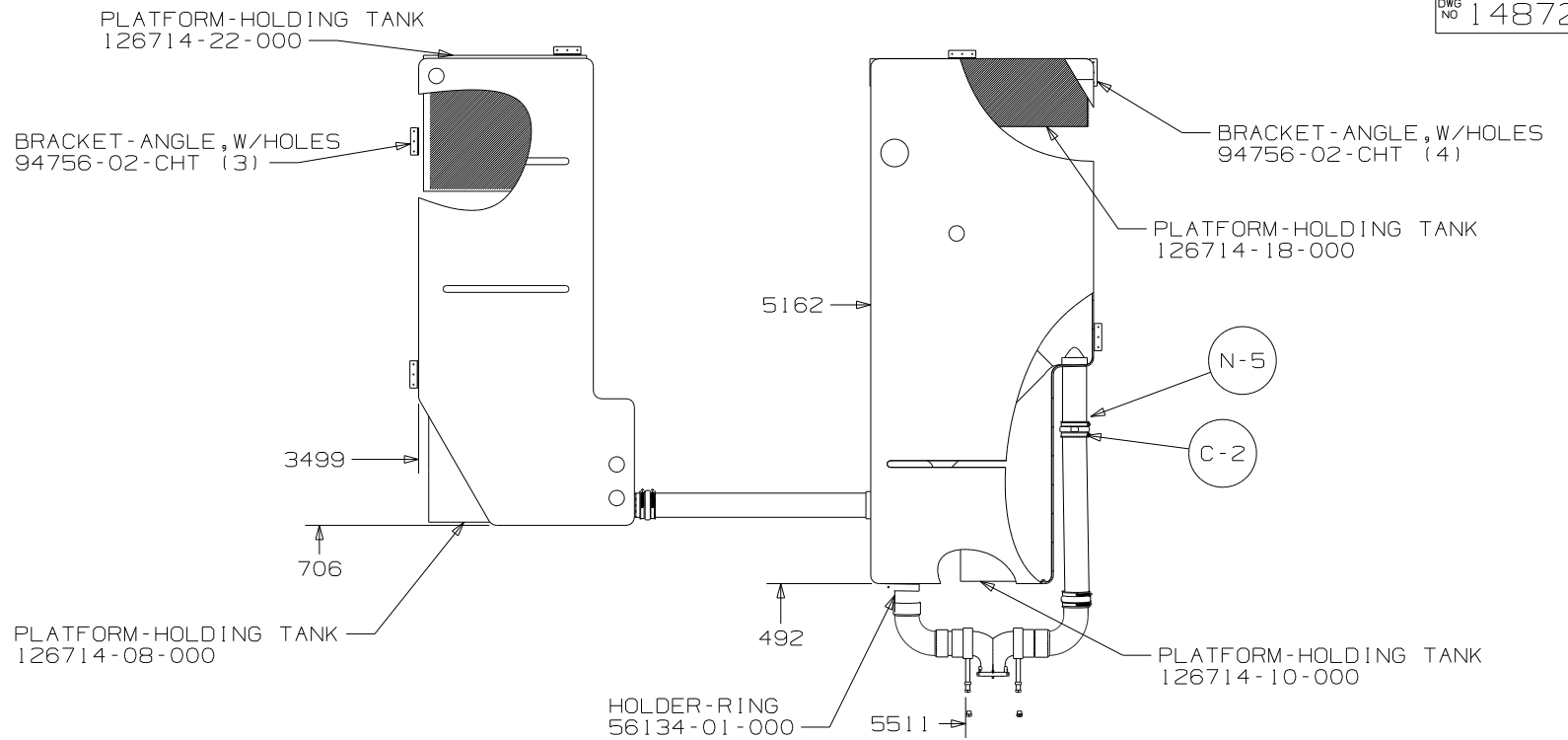
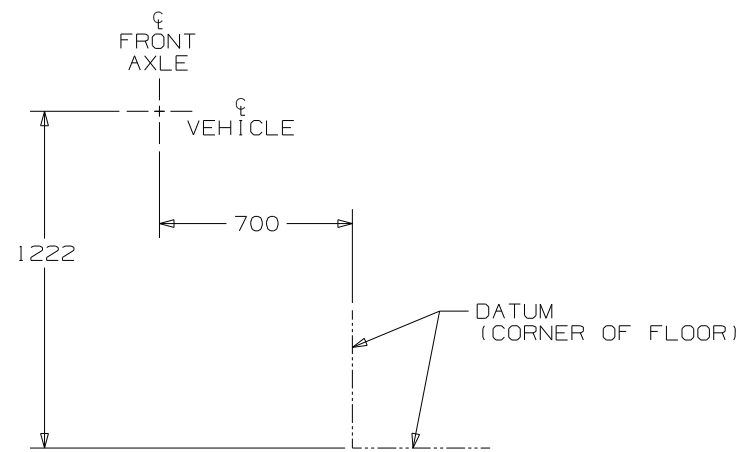
WASTE-CONT, DBL SINK  
 11091-02-000

VIEW A

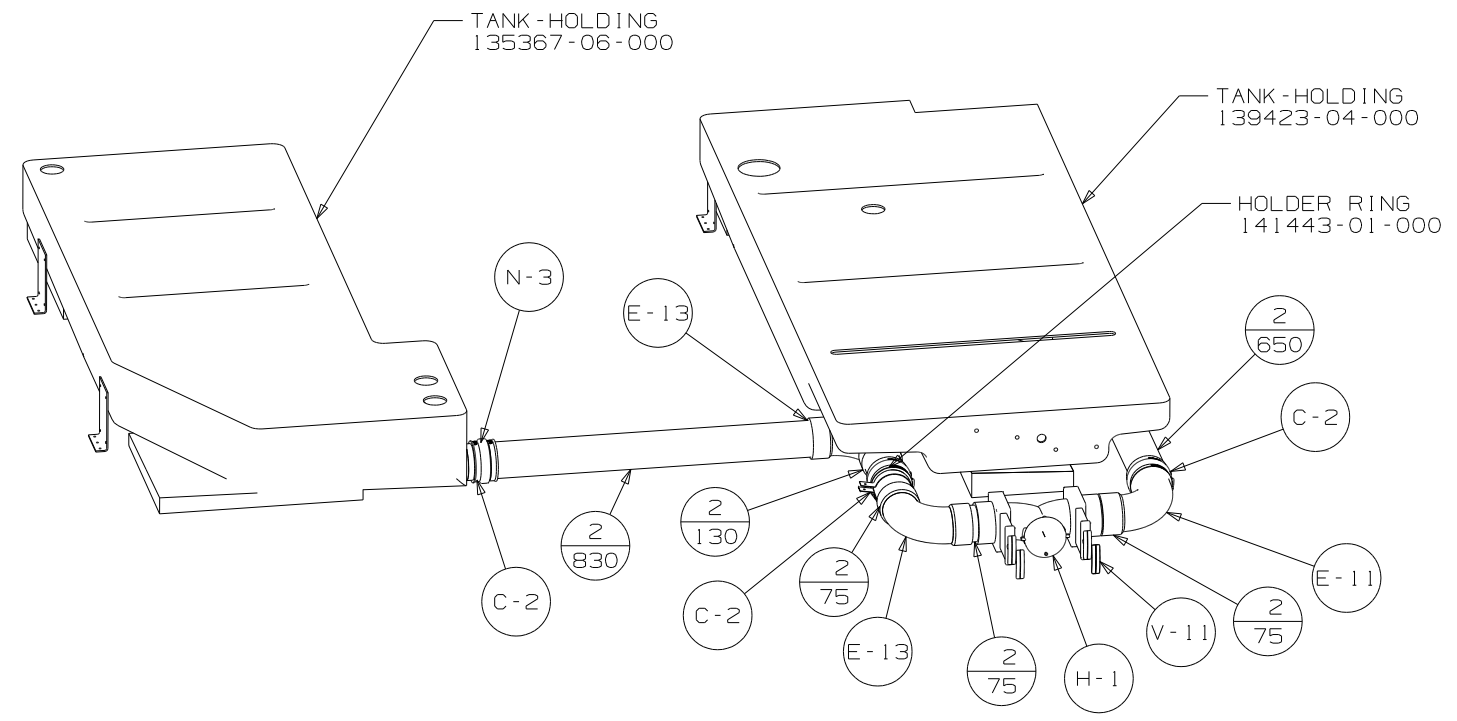
VIEW B  
 (SHOWER PAN REMOVED)

VIEW C

FIRST USED	05 G33V
DO NOT SCALE DRAWING	
TITLE	DRAINAGE SYSTEM INSTL
SHEET 2	PART NO 148725



VIEW D



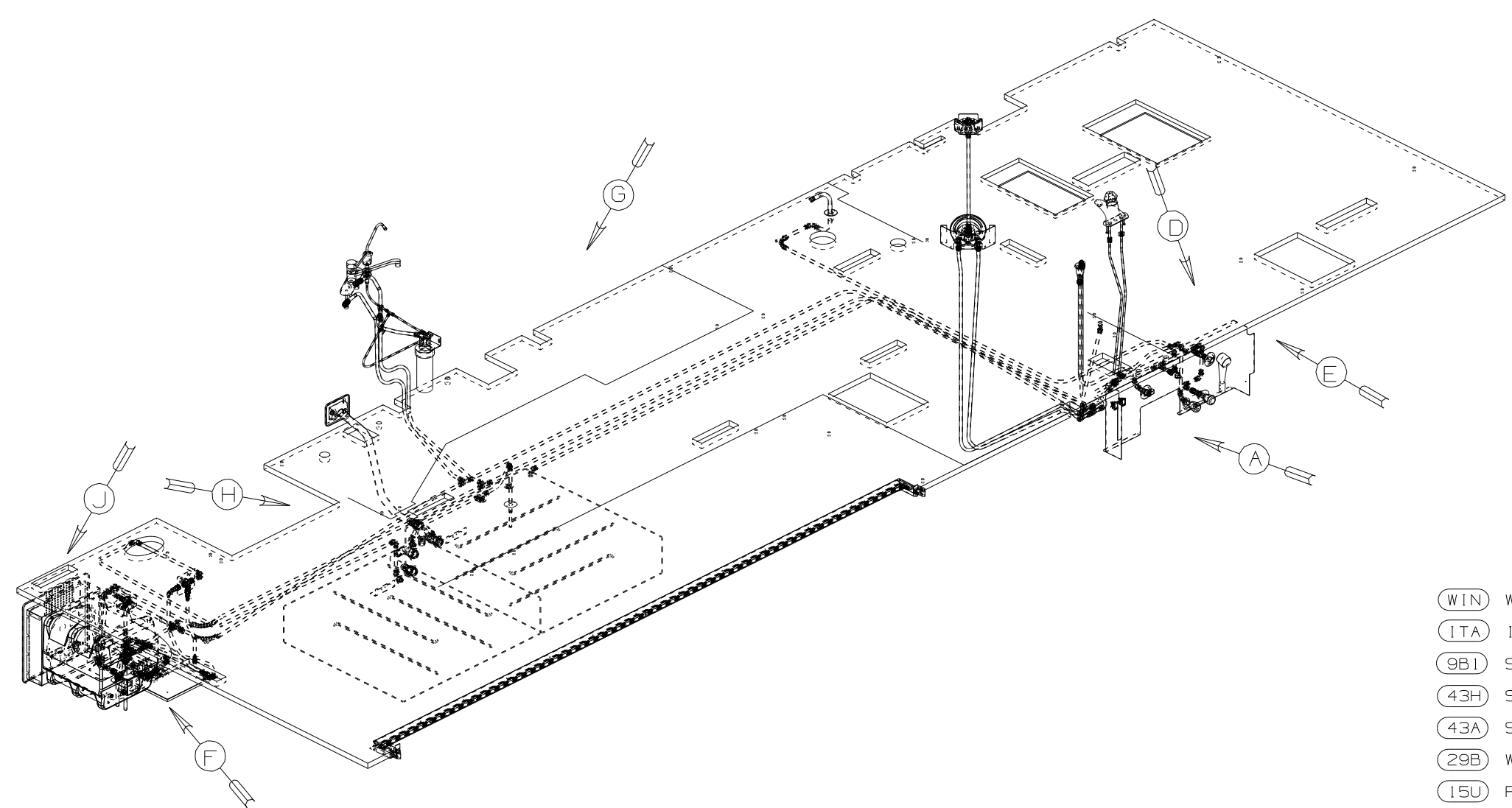
VIEW E

- VALVE-SEWER 144728-01-000
- CLAMP-HOSE 062401-09-000
- LABEL-DRIP VALVE 147845-01-CHT

FIRST USED	05 G33V
DO NOT SCALE DRAWING	
TITLE	DRAINAGE SYSTEM INSTL
SHEET 3	PART NO 148725

DWG NO	----
148723-01	(WIN)
148723-02	(ITA)

RELEASE	REV DATE	DWG NO
A		148723
REV ZONE	REVISION RECORD	DATE DFR-ORIG

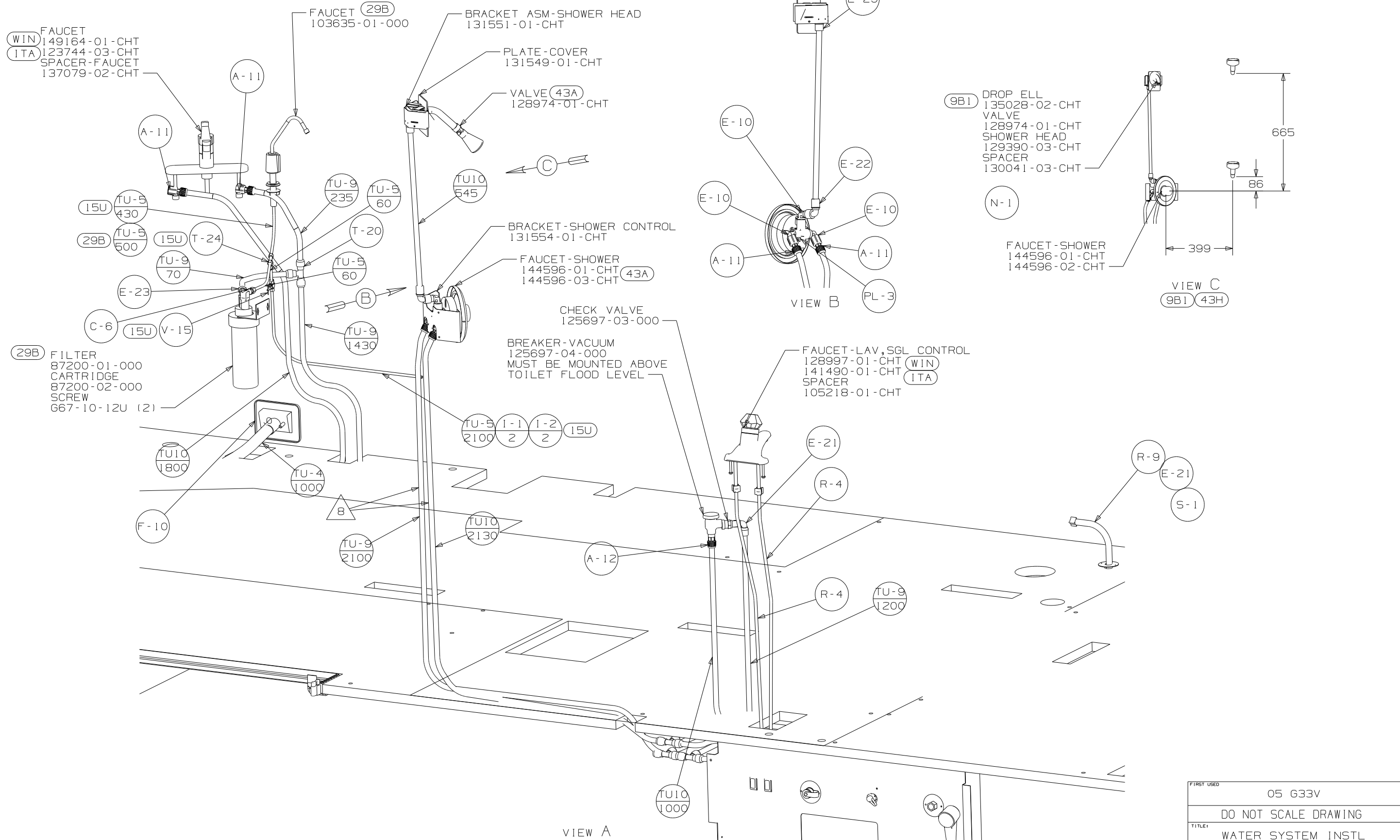


- (WIN) WINNEBAGO ONLY
- (ITA) ITASCA ONLY
- (9B1) SHOWER PACKAGE
- (43H) SHOWER HEAD-HAND HELD
- (43A) SHOWER HEAD-FIXED
- (29B) WATER PURIFIER
- (15U) REFRIGERATOR/FRZR W/ICEMAKER
- (1B2) WTR HTR-10 GAL/ELEC/LP/MTRAI D

- NOTES:
- 8 ADD PIPE WRAP (LADDER SCRAP) INSULATION HERE.
  - 7 DO NOT USE SCREWS SUPLIED W/SHOWERHEAD BRACKET.
  - 6 ADD TEFLON TAPE 10405-01-000.
  - 5 ADD TEFLON TAPE 10405-02-000.
4. FLUSHING SYSTEM REQUIRES 125697-06-000 INSTRUCTION SHEET.
3. ALL TUBING TO BE SECURED AT 1200 INTERVALS MAXIMUM WITH CLAMP 10495-01-000 OR CLIP 9151-01-000 AND SCREW G67-10-12B.
2. TUBING TO BE INSTALLED WITH SUFFICIENT SLOPE TO PROVIDE DRAINAGE TO NEAREST VALVE.
1. PLASTIC FITTINGS TO BE SEALED WITH SEALANT 84456-01-000.

(X-X)  
FOR  
WATER  
CALLOUTS  
SEE DWG NO  
116230-01-000

<b>WINNEBAGO</b>		COPYRIGHT 2005 WINNEBAGO INDUSTRIES, INC.	
DFTR	ORIG. DATE	ALL DIMENSIONS ARE IN MILLIMETERS	
CHKR		MATERIAL:	
P.E.		UNSPECIFIED TOLERANCES ARE:	
M.E.	FIRST USED	WHOLE DIM (X) : 7	
DSNR	05 G33V	ONE-PLACE (X.X) : 1.5	
		TWO-PLACE (X.XX) : 0.50	
		ANGLE : 1°	
THIRD ANGLE PROJECTION		DO NOT SCALE DRAWING	
TITLE: WATER SYSTEM INSTL			
SHEET 1 OF 4		PART NO 148723	



FAUCET  
 WIN 149164-01-CHT  
 ITA 123744-03-CHT  
 SPACER-FAUCET  
 137079-02-CHT

FAUCET (29B)  
 103635-01-000

BRACKET ASM-SHOWER HEAD  
 131551-01-CHT

PLATE-COVER  
 131549-01-CHT

VALVE (43A)  
 128974-01-CHT

BRACKET-SHOWER CONTROL  
 131554-01-CHT

FAUCET-SHOWER  
 144596-01-CHT (43A)  
 144596-03-CHT

CHECK VALVE  
 125697-03-000

BREAKER-VACUUM  
 125697-04-000  
 MUST BE MOUNTED ABOVE  
 TOILET FLOOD LEVEL

FAUCET-LAV, SGL CONTROL  
 128997-01-CHT (WIN)  
 141490-01-CHT (ITA)  
 SPACER  
 105218-01-CHT

(9B1) DROP ELL  
 135028-02-CHT  
 VALVE  
 128974-01-CHT  
 SHOWER HEAD  
 129390-03-CHT  
 SPACER  
 130041-03-CHT

(N-1)

FAUCET-SHOWER  
 144596-01-CHT  
 144596-02-CHT

VIEW C  
 (9B1) (43H)

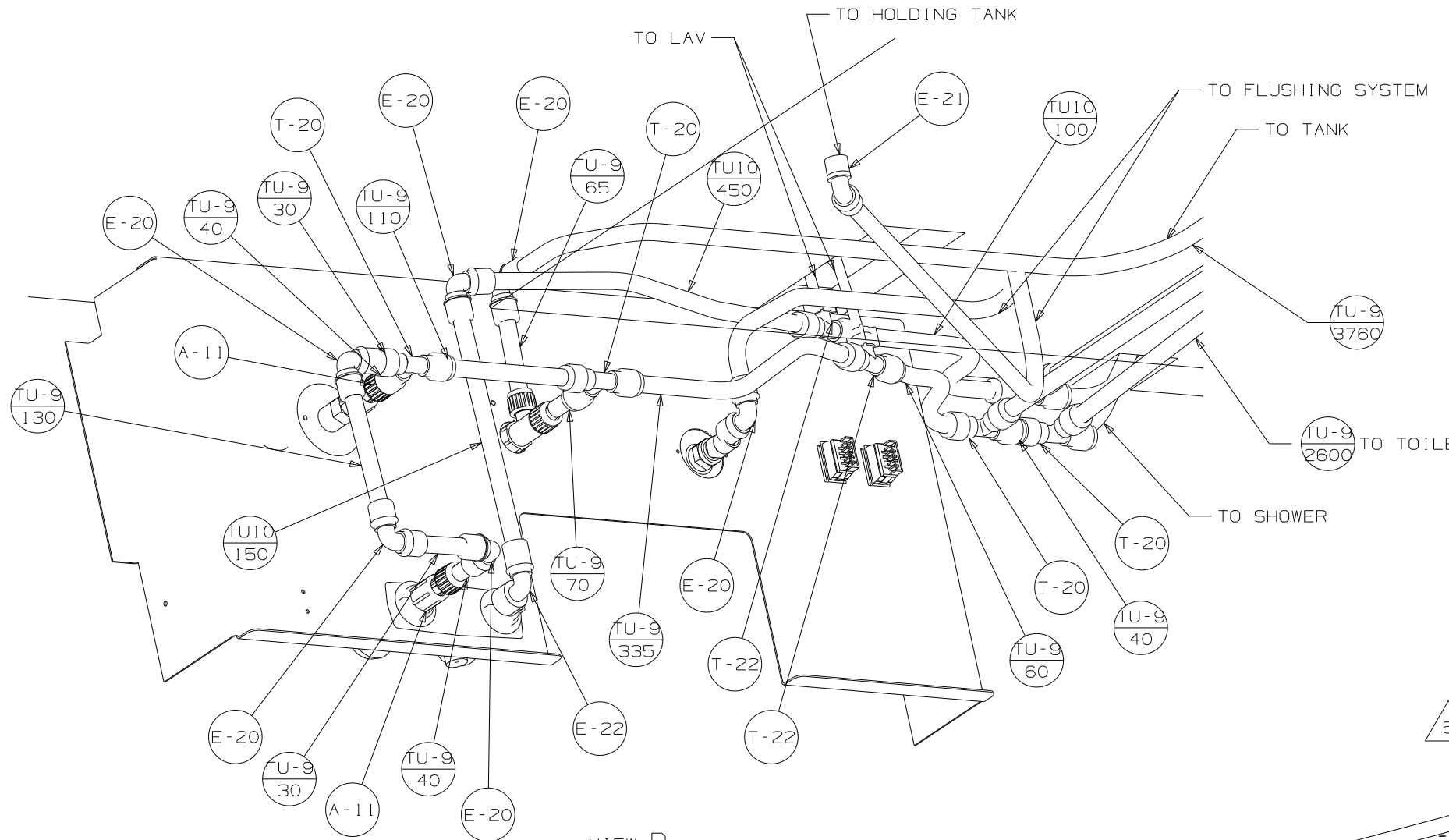
(29B) FILTER  
 87200-01-000  
 CARTRIDGE  
 87200-02-000  
 SCREW  
 667-10-12U (2)

VIEW A

VIEW B

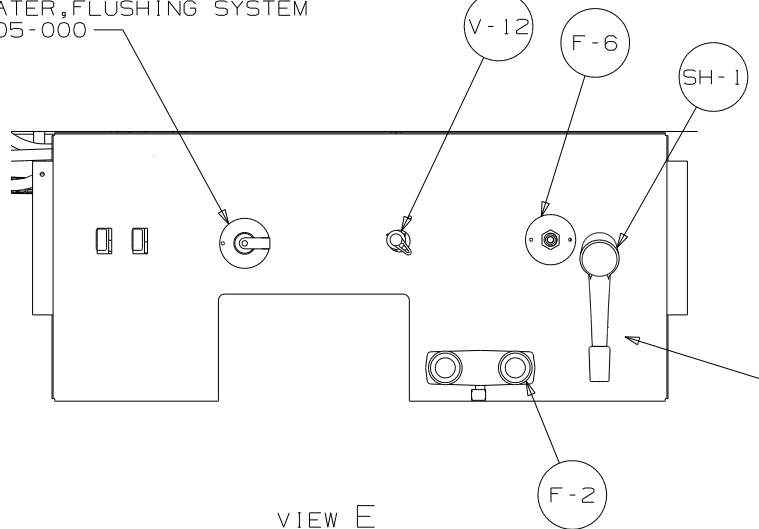
VIEW C

FIRST USED	05 G33V
TITLE	DO NOT SCALE DRAWING
TITLE	WATER SYSTEM INSTL
SHEET 2	PART NO 148723



VIEW D

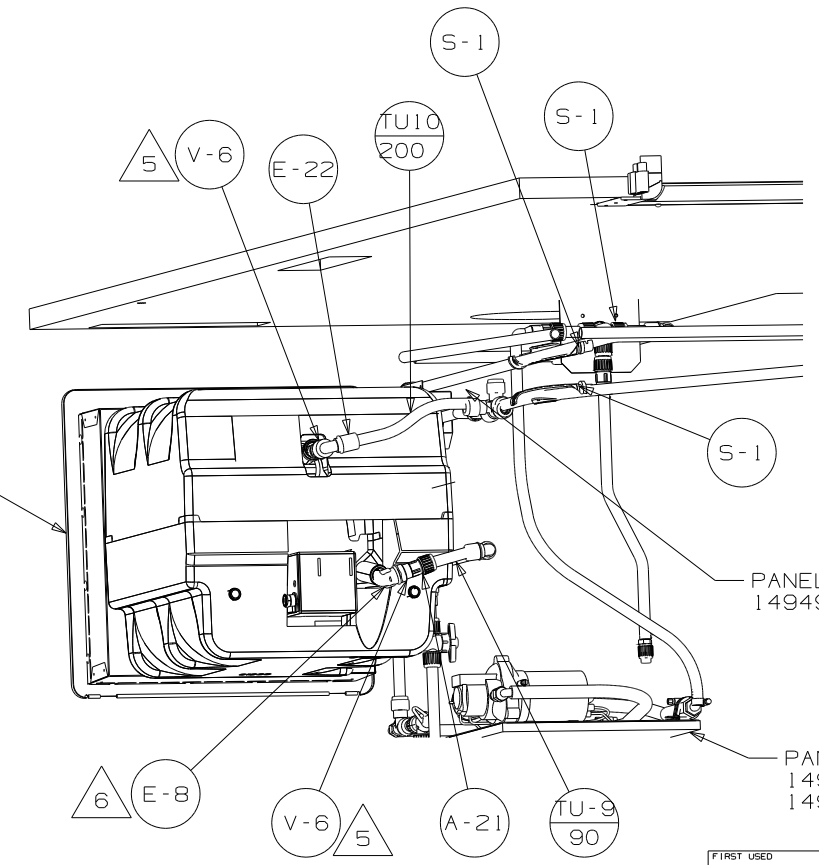
INLET-WATER, FLUSHING SYSTEM  
125697-05-000



VIEW E

PANEL - SERVICE CENTER  
136034-02-CHT

WATER HEATER  
145541-01-000  
DOOR  
125420-03-CHT  
BUMPER INSTL  
146507-01-000

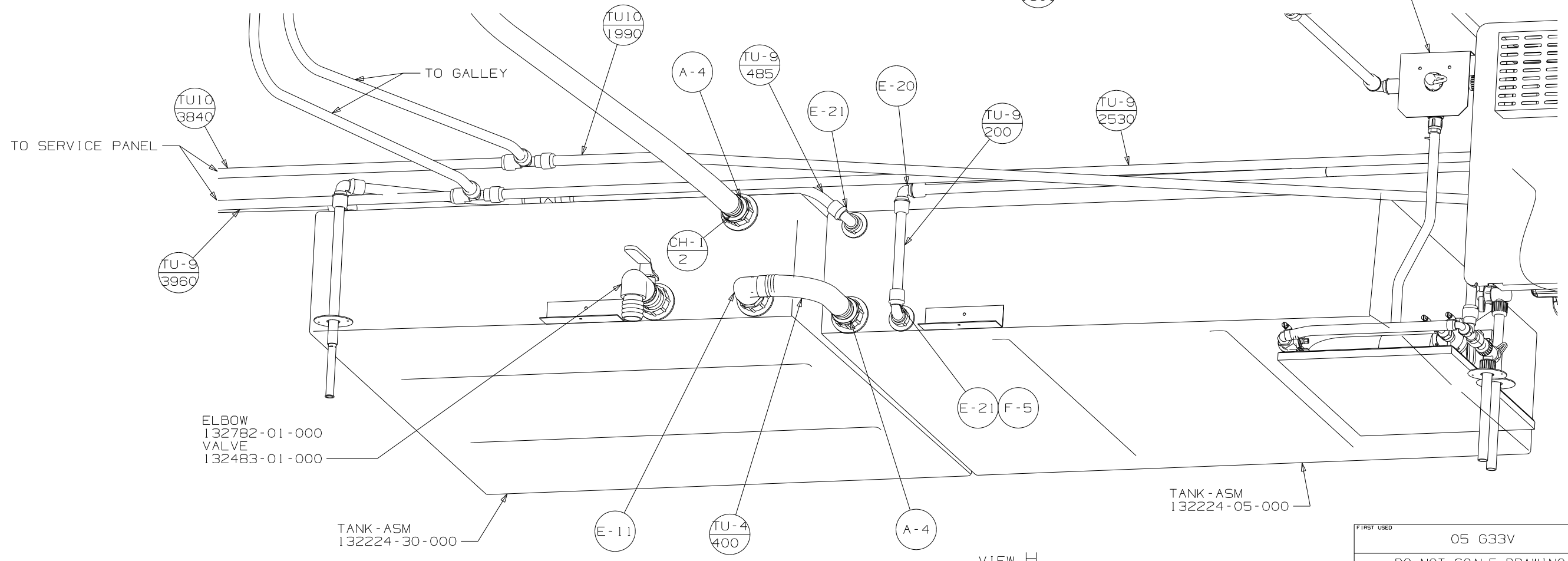
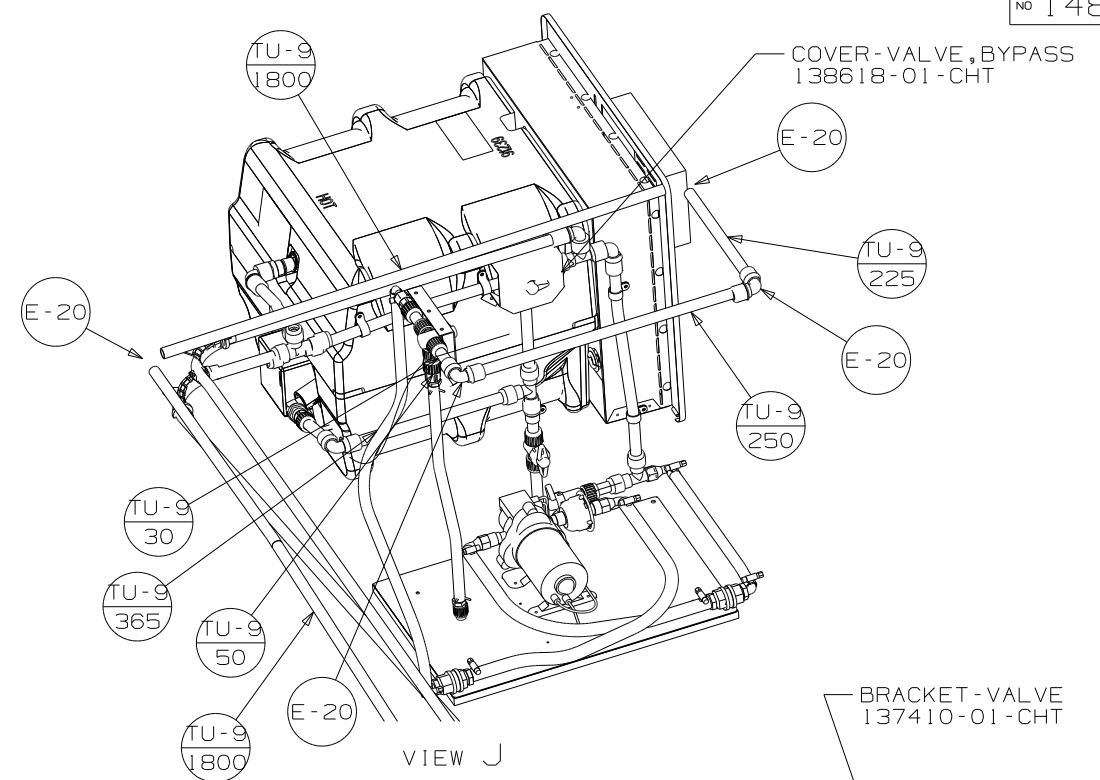
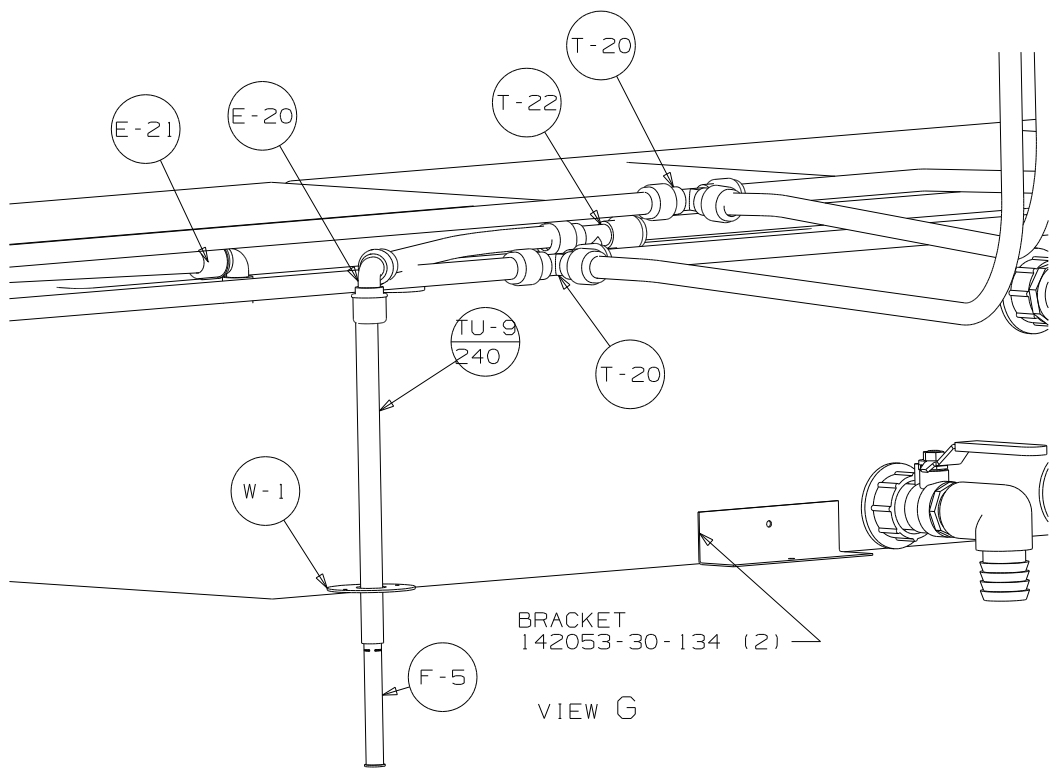


VIEW F

PANEL ASM-WATER CENTER  
149491-02-XXX

PANEL  
149476-01-XXX (WIN)  
149476-02-XXX (ITA)

FIRST USED	05 G33V
TITLE	DO NOT SCALE DRAWING
SHEET 3	PART NO 148723
	1 1/31/2005



FIRST USED	05 G33V
TITLE	DO NOT SCALE DRAWING
TITLE	WATER SYSTEM INSTL
SHEET 4	PART NO 148723