



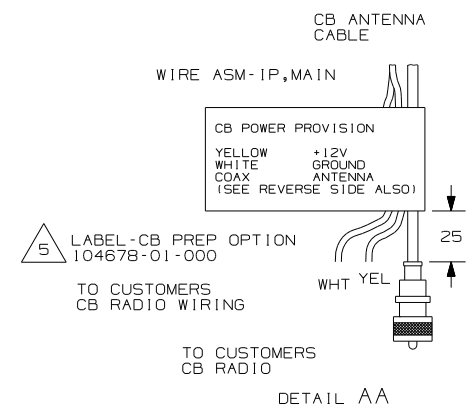
DANGER

Danger of electrical shock, burns or death. Always remove all power sources before attempting any repair, service or diagnostic work. Power can be present from shore power, generator, inverter or battery. All power sources must be disabled and secured before performing any service.



CAUTION

If you lack the skills, tools or equipment to perform diagnostic or repair work leave such work to an authorized Winnebago Industries dealer or other qualified shop.



5 LABEL-CB PREP OPTION
10467B-01-000

16L 16M WIRE ASM-IP,MAIN
149792-01-000

1PV 1PV 1PV 149793-01-000

9 571 FEMALE TERMINALS (2)
TO LEFT FRONT SPEAKER

571 7 SPEAKER-RADIO
94097-01-000 (2)
GRILL ASM-SPEAKER
139111-01-CHT (2)
SCREW
G11-08-20U (8)

6 & 2 PIN HOUSING
TO LEFT MIRROR

FEMALE TERMINAL (2)
TO DOOR DOME LAMP SWITCH

12L SWITCH
41250-01-000
SCREW
G39-08-16E (2)

36N FAN DEFROSTER
122856-01-000 (2)
SCREW
G39-08-16E (6)

20C SPEAKER ASM
148026-01-CHT (2)
SCREW
G11-08-12U (8)

8 BUTT SPLICE (2)
TO LEFT SUNVISOR
HFK-(WHT)
HHL-(WHT/GRY)

4 3 PIN HOUSING
TO WIRE ASM-
GPS ADAPTER

RING TERMINAL (3)
TO GROUND BOLT

20C 6 PIN HOUSING
TO TV SPEAKER AMP

36N BUTT SPLICE (3)
TO LEFT AUX FAN
LE-GRN
LF-YEL
XW-BLK

2 PIN HOUSING
CONNECTS TO WIRE ASM-
CLEARANCE FRONT

BUTT SPLICE (2)
TO RIGHT SUNVISOR
HHM-(WHT)
HHN-(WHT/GRY)

RING TERMINAL (3)
TO GROUND BOLT

2 PIN HOUSING
40B
PIN TERMINAL
CONNECTS TO INVERTER

FEMALE TERMINAL
CONNECTS TO
SPEAKER SELECT SWITCH

WIRE ASM-EXTENSION
133572-06-01B (2)

LIGHT-READING, SWIV W/O SW
128786-02-CHT (2)
BULB
123917-01-000 (2)

FEMALE TERMINAL (2)
TO RIGHT FRONT SPEAKER

2 & 6 PIN HOUSING
TO RIGHT MIRROR

6 PIN HOUSING
TO WIRE ASM-SIDEWALL

SWITCH-MAP LAMP
145638-01-CHT

APPLIQUE-PASSENGER, RH
148653-05-CHT

INSERT-SWITCH, RH
145926-08-CHT

SWITCH-SUNVISOR
145638-09-CHT

SWITCH-BLANK
145754-01-CHT

20F DELUXE SOUND SYSTEM-WITHOUT

571 RADIO SPEAKERS

40B INVERTER-DC/AC, 300 WATT

36N FANS-DEFROSTER, AUXILIARY

20C SOUND SYS. DLX. W/O-SURROUND

28K SUNVISORS - MANUAL (2)

28J SUNVISORS - POWERED (2)

16M FORD CHASSIS 20,500#-V10 ENG

16L FORD 22,000# - 22.5 TIRE

12L DOOR-DRIVER

1PV WORKHORSE 24,000#-22.5 TIRE

1PS WORKHORSE 22,000#-22.5 TIRE

1PN WORKHORSE 20,700#

9 CONNECT YELLOW WIRE TO POSITIVE TERMINAL &
WHITE TO NEGATIVE TERMINAL ON SPEAKER.

8 CUT VISOR WIRING TO 300mm BEFORE CONNECTING

7 USE TAPE 136748-01-000 TO SECURE WIRES IN A-POST.

6 SEE ANTENNA INSTL-CB AND DETAIL AB.

5 EDGE OF LABEL TO HANG JUST BELOW
BOTTOM OF DASH.

4 SEE WIRING INSTL-GPS FOR ADDITIONAL INFORMATION.

3. CONNECT CHASSIS SUPPLIED BRN/WHT WIRE TO
TERMINAL ON PARK BRAKE IF PARK BRAKE IS
PRESENT. ALL STD WH CONNECT BLUE LEVELING
JACK WIRE TO BROWN WIRE.

2. FOR ADDITIONAL INFORMATION SEE WIRING INSTL-CHASSIS.

1. ONLY WINNEBAGO WIRE ASSEMBLIES ARE SHOWN FOR CLARITY.

NOTES:

30 PIN HOUSING
TO WIRE ASM-CHASSIS

BUTT SPLICE (2)
TO CB PREP
(SEE DETAIL AA)

12 PIN HOUSING
TO WIRE ASM-IP MIRROR
(IN DRIVERS DOOR)

15 PIN HOUSING
TO SPEAKER RELAY
115539-01-000
OR
DELUXE SOUND HARNESS
DETAIL EA

2 PIN HOUSING
TO DRIVER'S SEAT
(SEE DETAIL EB)

FOR ELECTRICAL
TORQUE
SPECIFICATIONS
SEE DWG NO.
128783-01-000

FOR ELECTRICAL
CALLOUTS
SEE DWG NO.
121339-01-000



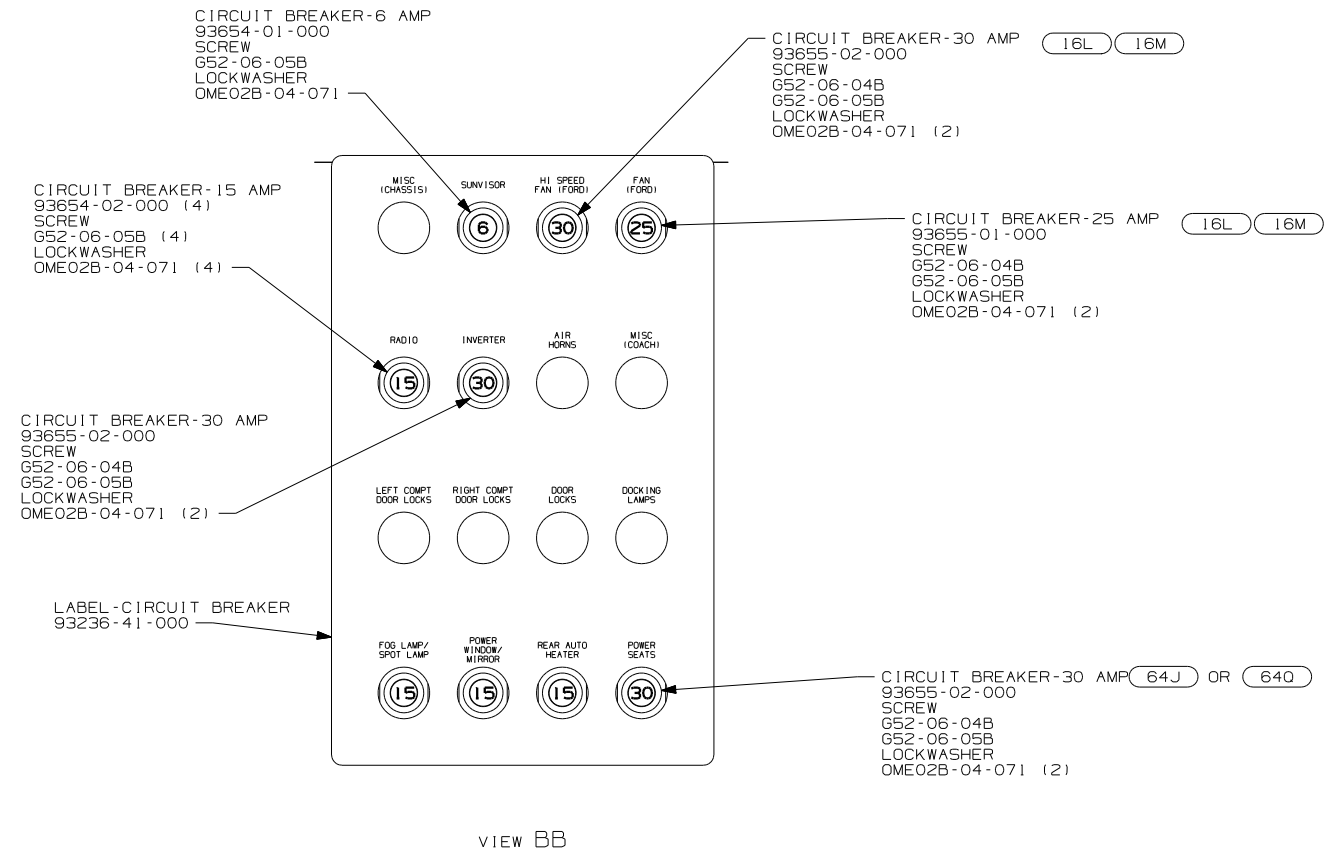
DFTR	ORIG. DATE
CHKR	ALL DIMENSIONS ARE IN MILLIMETERS
P.E.	FIRST USED
M.E.	05 G SERIES
DSNR	

UNSPECIFIED TOLERANCES ARE:	MATERIAL:
WHOLE DIM (X)	:
ONE-PLACE (X.X)	:
TWO-PLACE (X.XX)	:
ANGLE	:
THIRD ANGLE PROJECTION	

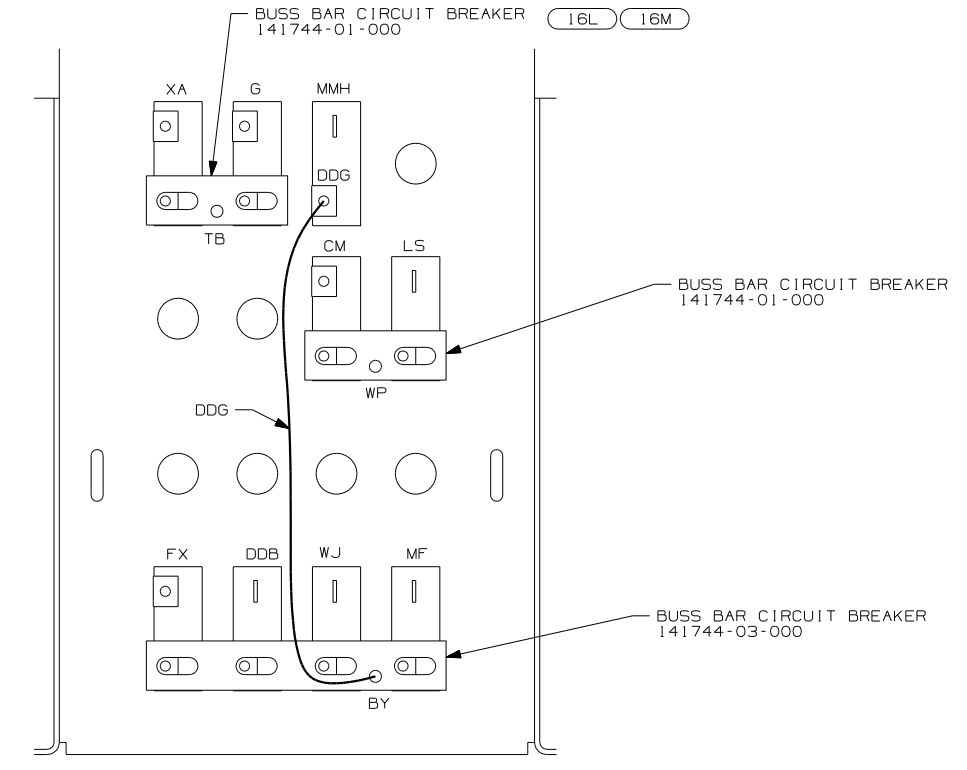
DO NOT SCALE DRAWING

TITLE: WIRING INSTL-FRONT END

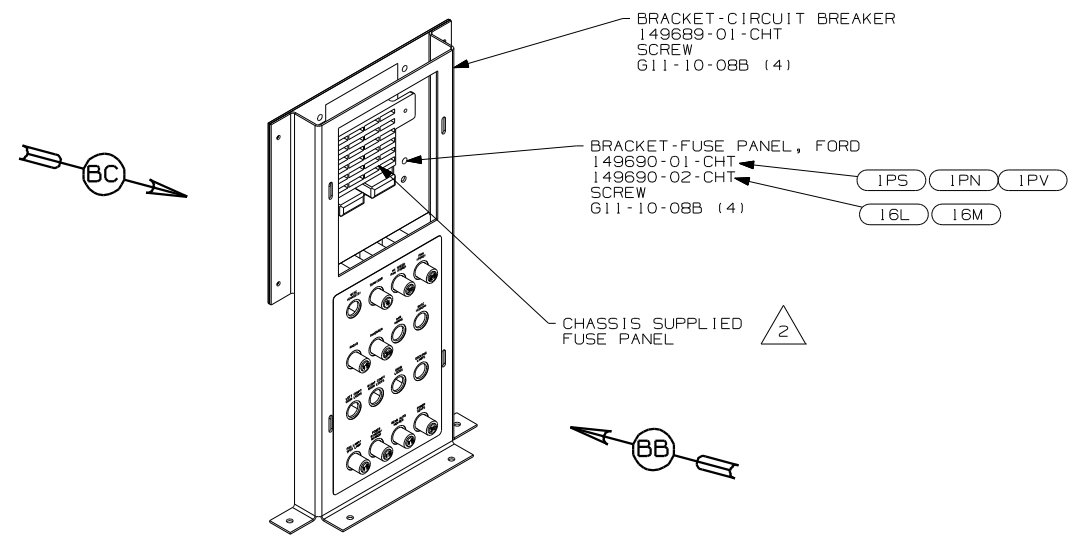
SHEET 1 of 6 PART NO 148601



VIEW BB



VIEW BC



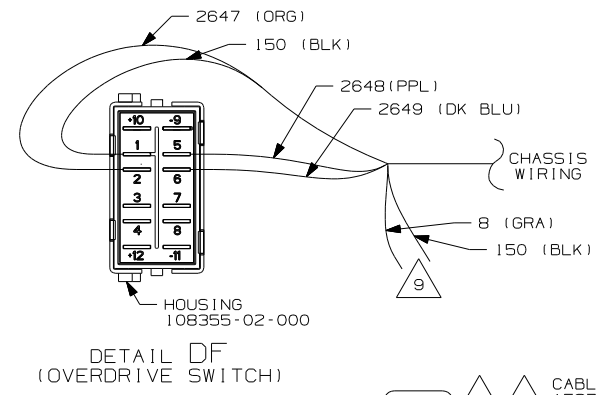
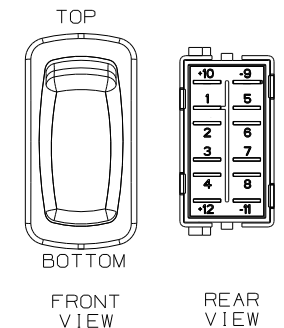
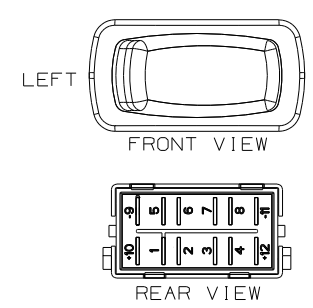
VIEW BA

- (64J) SEAT PED-6-WAY DR/PASS POWER
- (640) SEAT PED-6-WAY POWER DRIVER
- (16M) FORD CHASSIS 20,500#/V10 ENG
- (16L) FORD 22,000# - 22.5 TIRE
- (1PS) WORKHORSE 22,000#-22.5 TIRE
- (1PV) WORKHORSE 24,000#-22.5 TIRE
- (1PN) WORKHORSE 20,700#-19.5 TIRE

WORKHORSE PANEL SHOWN.
 ALL CIRCUITS ARE IN WIRE ASM-IP,MAIN.

NOTES:

FIRST USED	05 G SERIES
TITLE	DO NOT SCALE DRAWING
TITLE	WIRING INSTL-FRONT END
SHEET 2	PART NO 148601



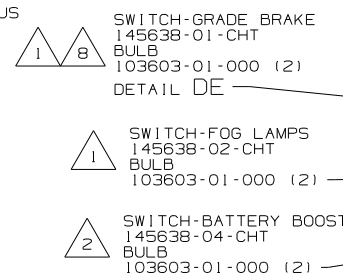
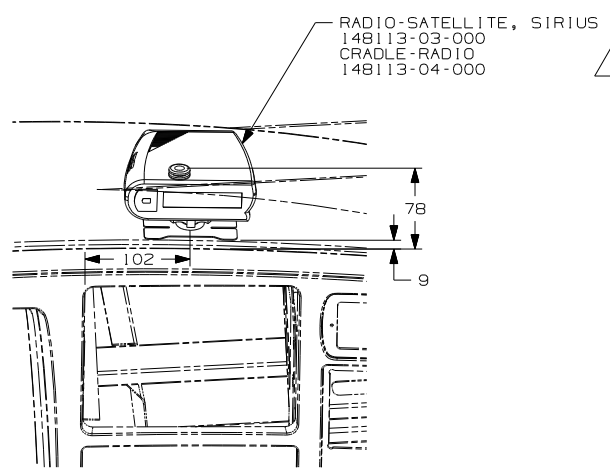
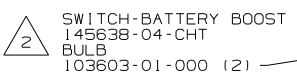
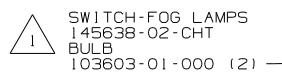
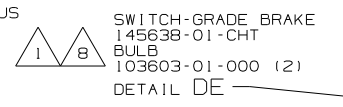
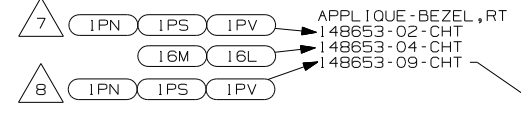
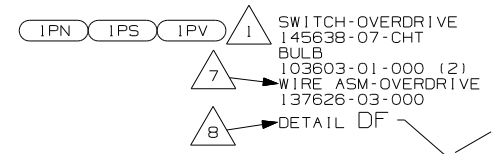
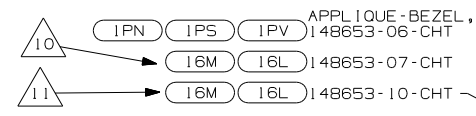
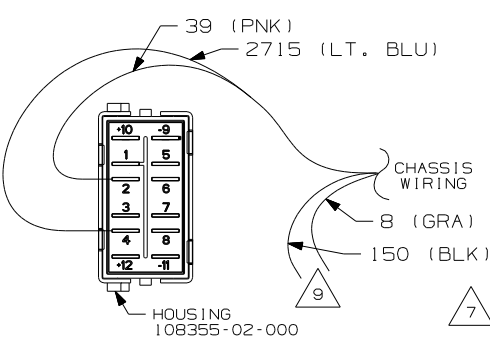
DETAIL DB (MOUNTED HORIZONTALLY)

DETAIL DB (MOUNTED VERTICALLY)

DETAIL DF (OVERDRIVE SWITCH)

70C 5 6 CABLE-ANTENNA 152780-02-000 TO ANTENNA

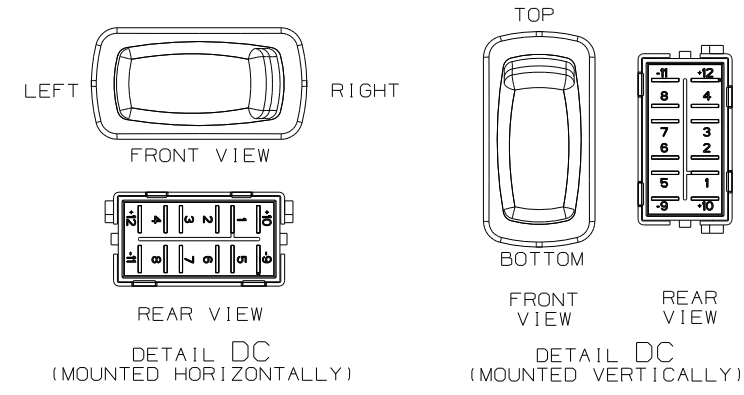
70C WIRE ASM-POWER 148115-01-000 CONNECT BLK/WHT TO WN & BLK TO MU FROM WIRE ASM-IP,MAIN



- NOTES:
- 4 SEE DETAIL DD
 - 3 WITHOUT 092.
 - 2 SEE DETAIL DC FOR ORIENTATION.
 - 1 SEE DETAIL DB FOR ORIENTATION.

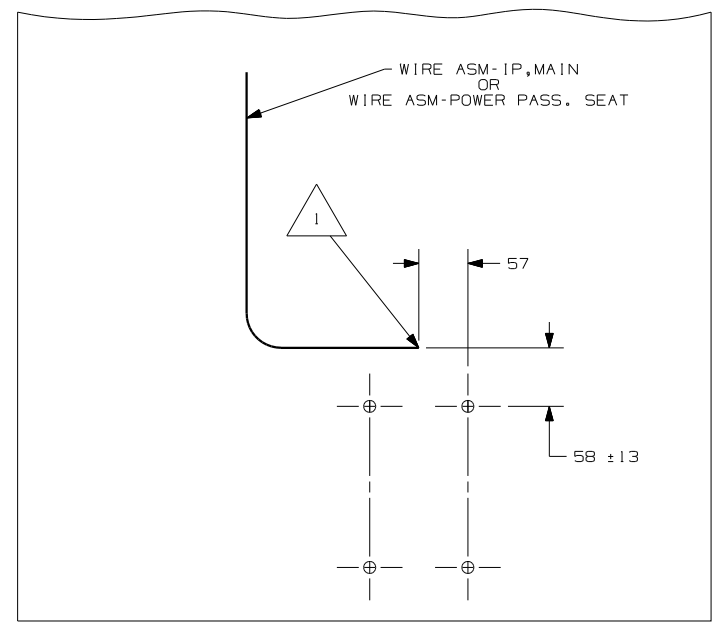
- 9 REMOVE TERMINALS & TAPE CIRCUITS BACK INTO LOOM.
- 8 2005 CHASSIS
- 7 2004 CHASSIS
- 6 PLUG ANTENNA CABLE INTO THE REAR OF SATELLITE TUNER MARKED SAT/TERR (MAIN), AND ROUTE UP LEFT A-PILLAR
- 5 SEE ANTENNA INSTL-RADIO & CB FOR ADDITIONAL INFORMATION.

- 12 CENTER LABEL UNDER RADIO.
- 11 2006 FORD CHASSIS
- 10 PRE 2006 FORD CHASSIS

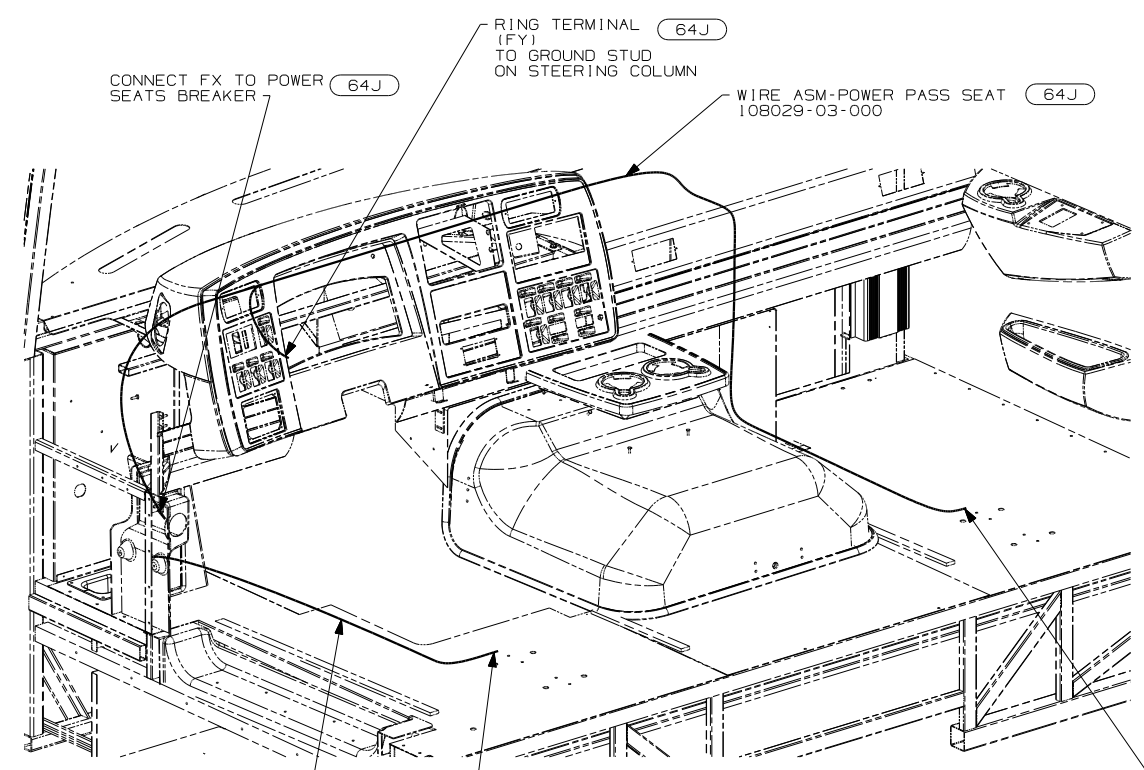


- 70C RADIO - SATELLITE
- 16M FORD CHASSIS 20,500#/V10 ENG
- 16L FORD 22,000# - 22.5 TIRE
- 1PV WORKHORSE 24,000#-22.5 TIRE
- 1PS WORKHORSE 22,000#-22.5 TIRE
- 1PN WORKHORSE 20,700#
- 092 SLIDEOUT ROOM - FRONT RIGHT
- 09L SLIDEOUT ROOM FRONT LEFT

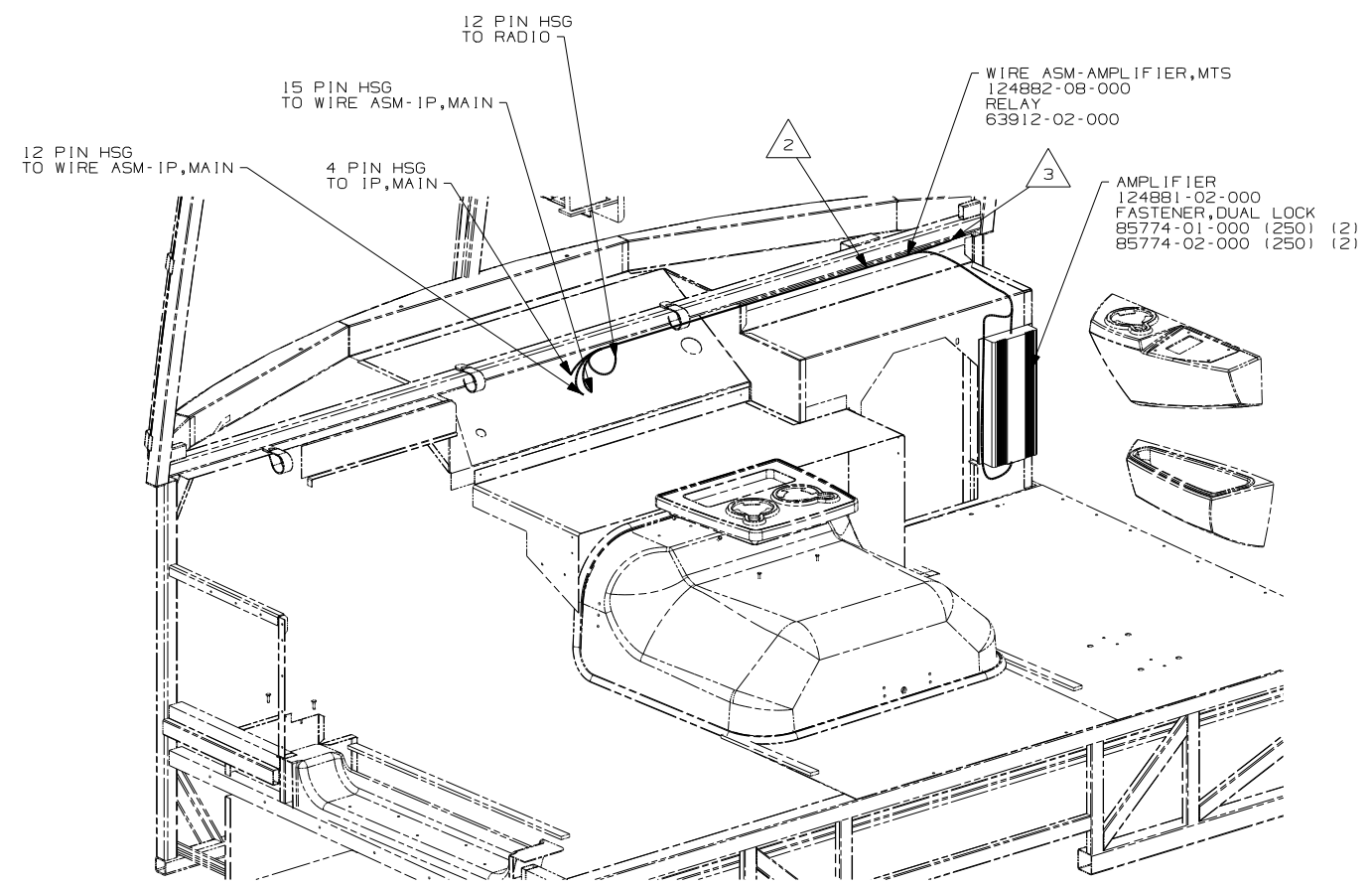
FIRST USED	05 G SERIES
DO NOT SCALE DRAWING	
TITLE:	WIRING INSTL-FRONT END
SHEET 4	PART NO 148601



DETAIL EB 640 64J



VIEW EA 64J (AUXILIARY WIRING)

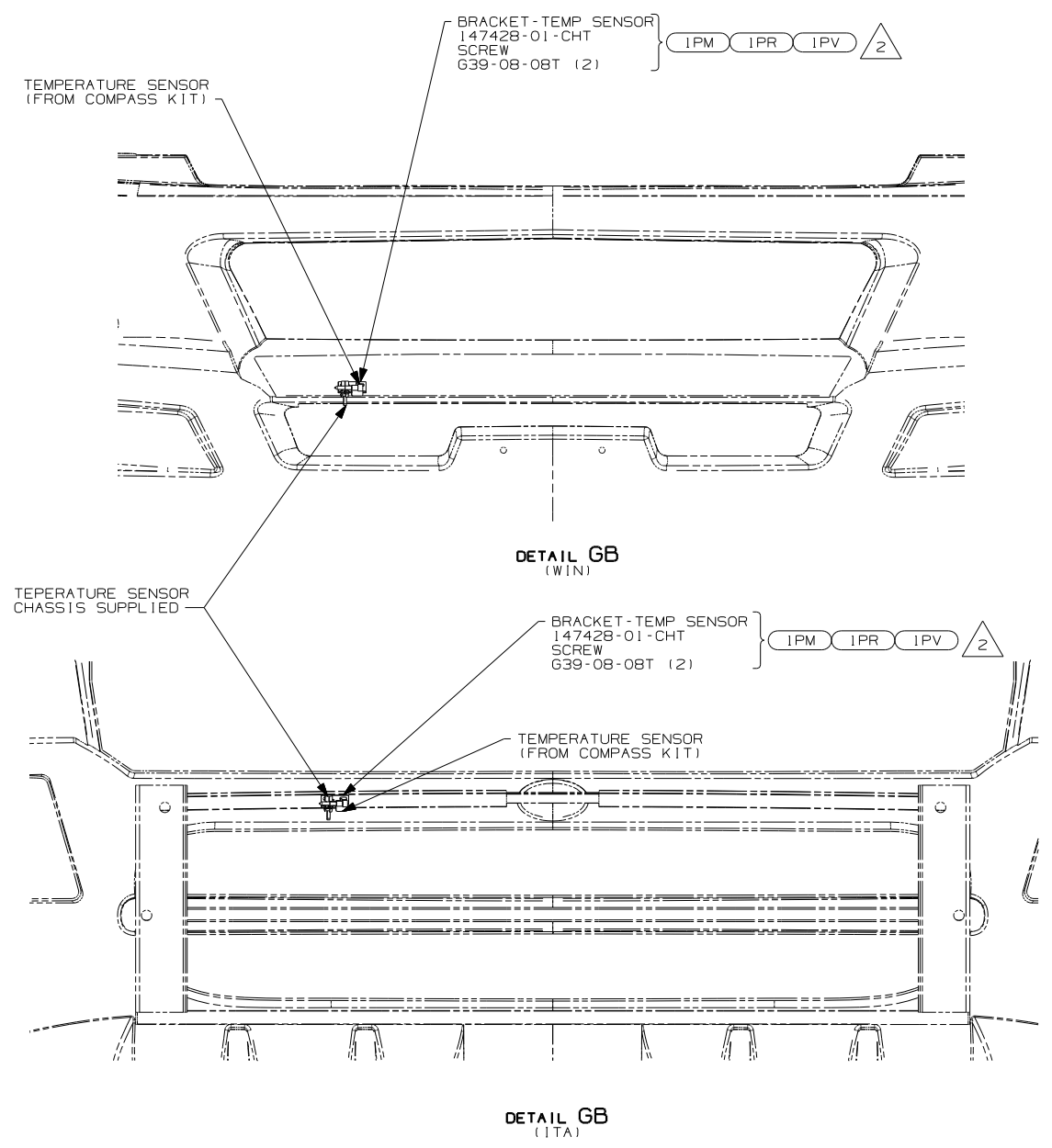
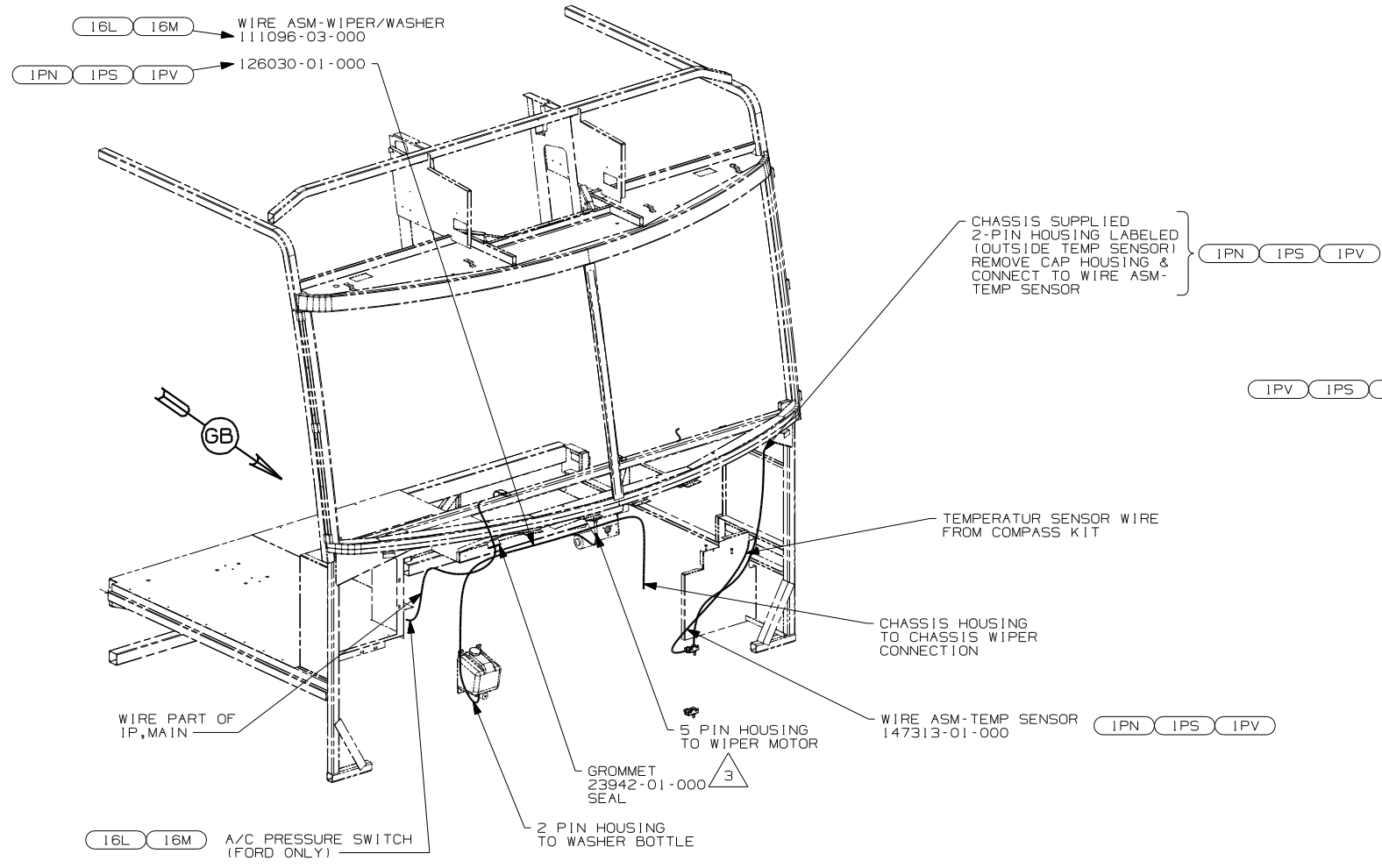


VIEW EA 20C (DELUX SOUND)

- NOTES:
- 3 ROUTE RCA CABLE AND 2 PIN HSG UP RIGHT A-PILLAR TO TV AND CENTER CHANNEL SPEAKER
 - 2 ROUTE WITH IP,MAIN
 - 1 LEAVE 675, ±50MM OF WIRE AT PEDESTAL.

- 640 SEAT PED-6-WAY POWER DRIVER
- 64J SEAT PED-6-WAY DR/PASS POWER
- 20C SOUND SYS. DLX. W/O-SURROUND

FIRST USED	05 G SERIES
TITLE	DO NOT SCALE DRAWING
	WIRING INSTL-FRONT END
SHEET 5	PART NO 148601



- 3 ROUTE WIRES THROUGH HOLE IN STEEL.
- 2 MOUNT SENSOR OR SENSOR BRACKET TO HORIZONTAL TUBE ON FIBERGLASS AS SHOWN.

1. GATHER ALL EXCESS WIRE AFTER MAKING ALL CONNECTIONS AND BUNDLE AND SECURE WITH TIE-WIRE 8343-01-000 OR 93147-01-000.

NOTES:

WIN	WINNEBAGO ONLY
16M	FORD CHASSIS 20,500#/V10 ENG
16K	FORD CHASSIS 22,000
1PS	WORKHORSE 22,000#-22.5 TIRE
1PN	WORKHORSE 20,700#
1PV	WORKHORSE 24,000#-22.5 TIRE

FIRST USED	05 G SERIES	
TITLE	DO NOT SCALE DRAWING	
	WIRING INSTL-FRONT END	
SHEET 6	PART NO	148601