



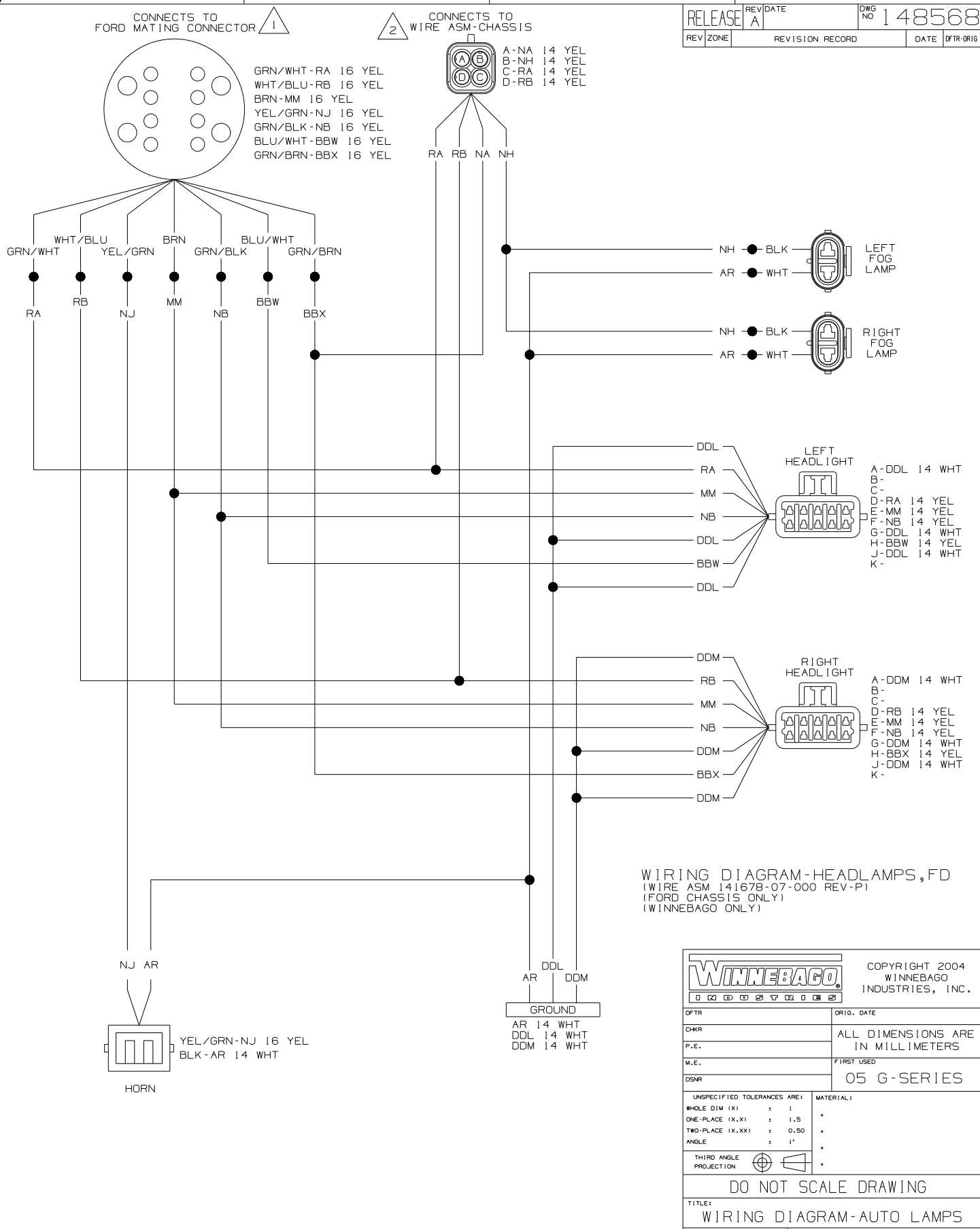
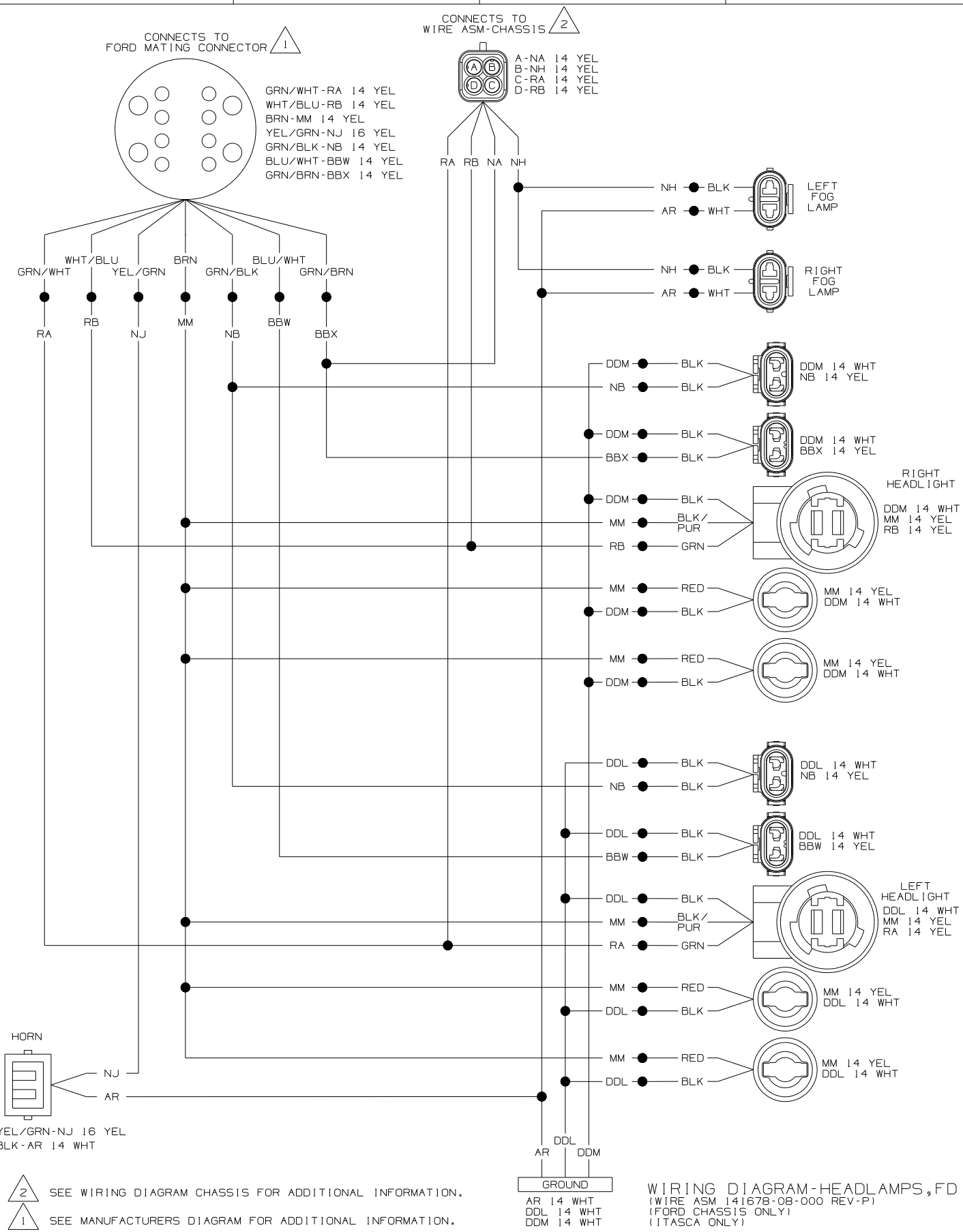
DANGER

Danger of electrical shock, burns or death. Always remove all power sources before attempting any repair, service or diagnostic work. Power can be present from shore power, generator, inverter or battery. All power sources must be disabled and secured before performing any service.



CAUTION

If you lack the skills, tools or equipment to perform diagnostic or repair work leave such work to an authorized Winnebago Industries dealer or other qualified shop.



NOTES:

(2) SEE WIRING DIAGRAM CHASSIS FOR ADDITIONAL INFORMATION.

(1) SEE MANUFACTURERS DIAGRAM FOR ADDITIONAL INFORMATION.

WINNEBAGO INDUSTRIES, INC. COPYRIGHT 2004

DFTR	ORIG. DATE
CHKR	ALL DIMENSIONS ARE IN MILLIMETERS
P.E.	FIRST USED
M.E.	05 G-SERIES
DSNR	

UNSPECIFIED TOLERANCES ARE:

WHOLE DIM (X)	: 1	*
ONE-PLACE (X.X)	: 1.5	*
TWO-PLACE (X.XX)	: 0.50	*
ANGLE	: 1°	*

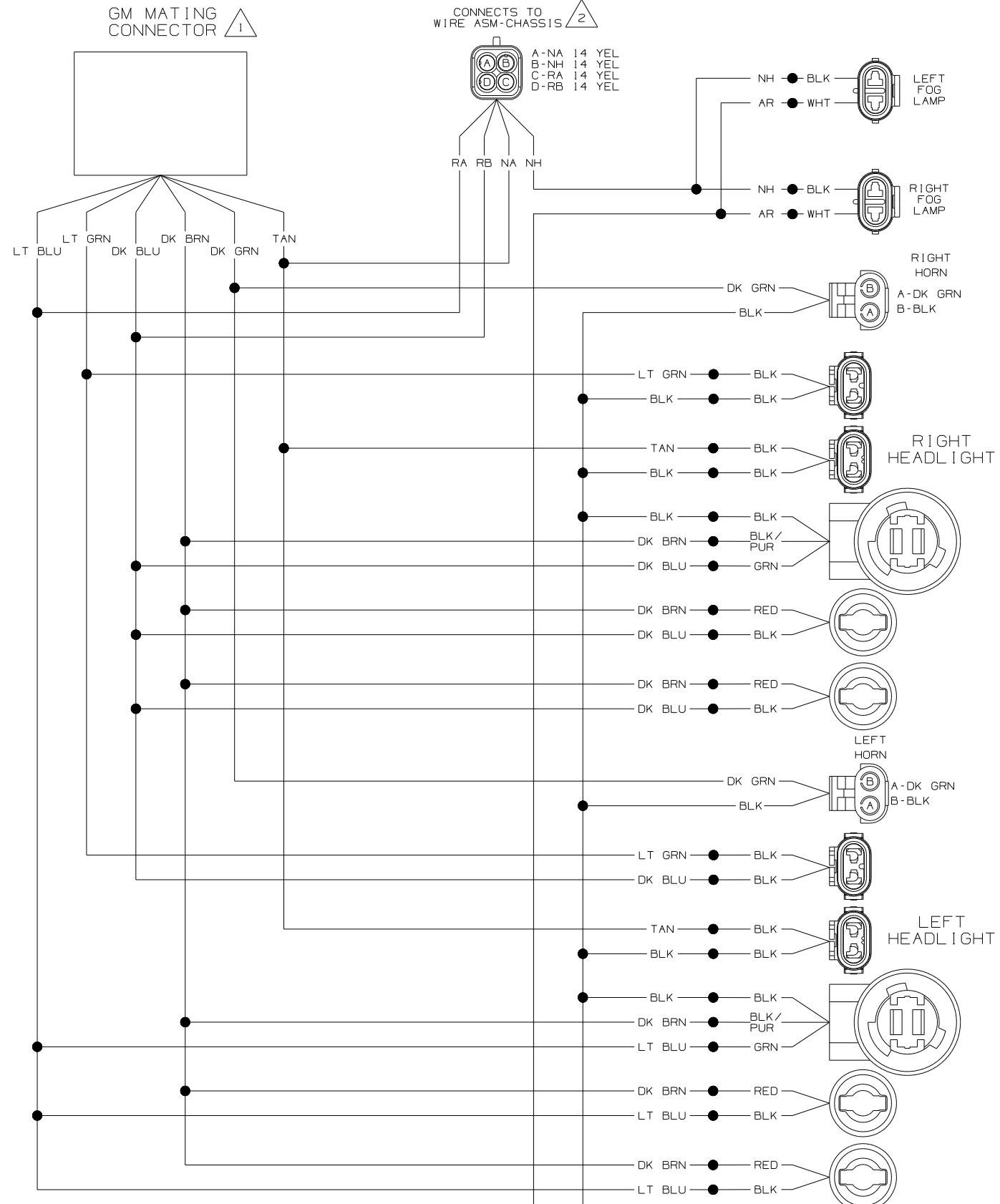
THIRD ANGLE PROJECTION

DO NOT SCALE DRAWING

TITLE: WIRING DIAGRAM-AUTO LAMPS

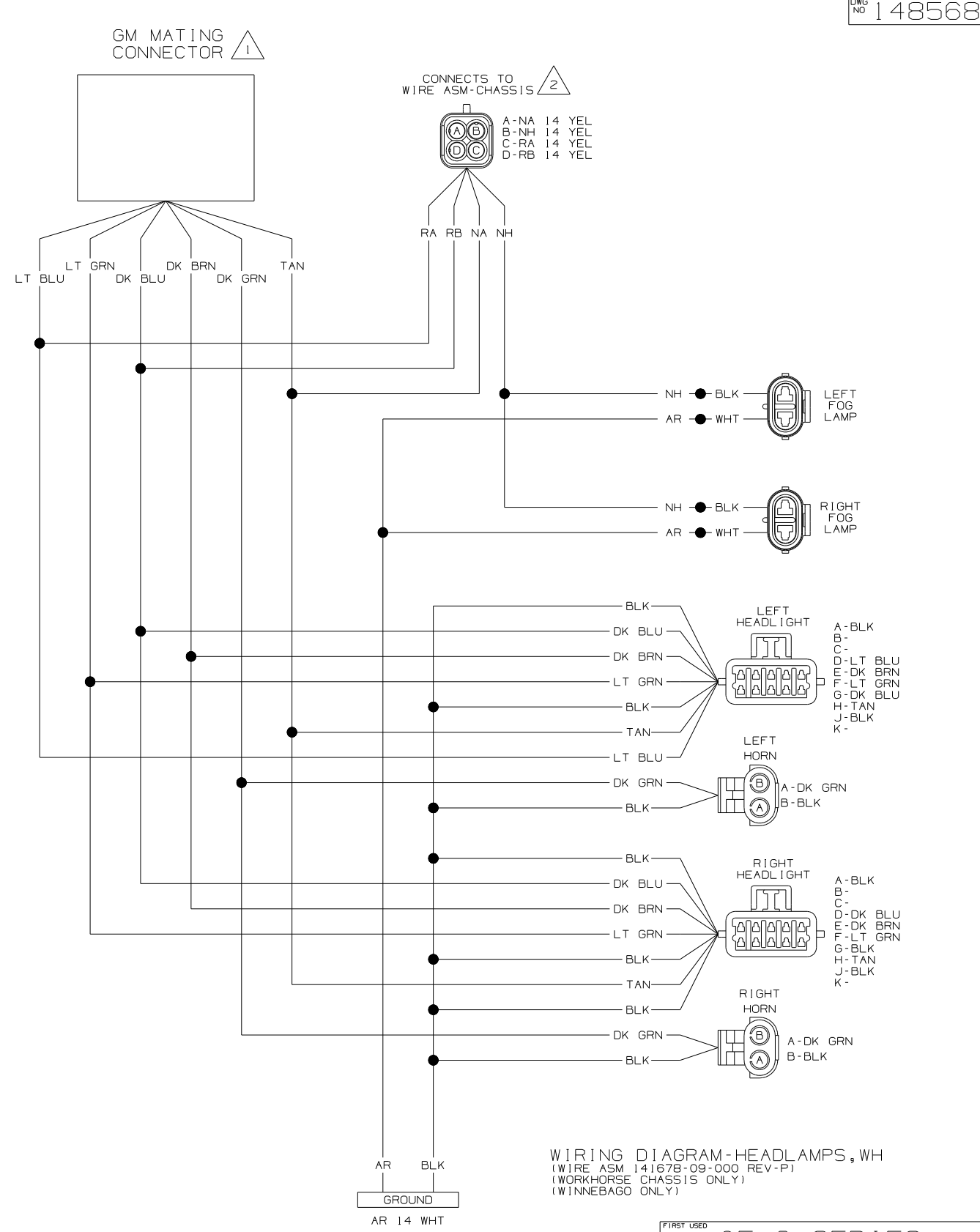
SHEET 1 of 5 PART NO 148568

REF: 144952 | 6/29/2004



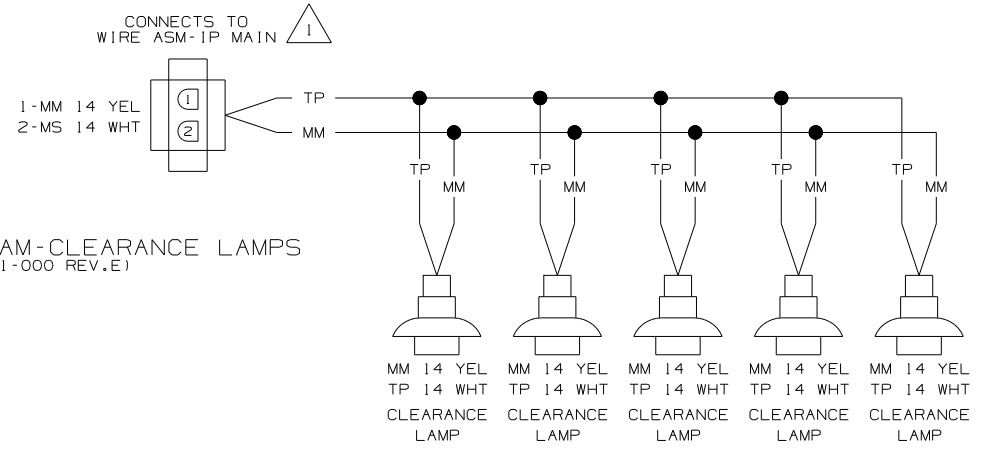
WIRING DIAGRAM-HEADLAMPS, WH
 (WIRE ASM 141678-10-000 REV-P)
 (WORKHORSE CHASSIS ONLY)
 (ITASCA ONLY)

NOTES:
 2 SEE WIRING DIAGRAM CHASSIS FOR ADDITIONAL INFORMATION.
 1 SEE MANUFACTURERS DIAGRAM FOR ADDITIONAL INFORMATION.



WIRING DIAGRAM-HEADLAMPS, WH
 (WIRE ASM 141678-09-000 REV-P)
 (WORKHORSE CHASSIS ONLY)
 (WINNEBAGO ONLY)

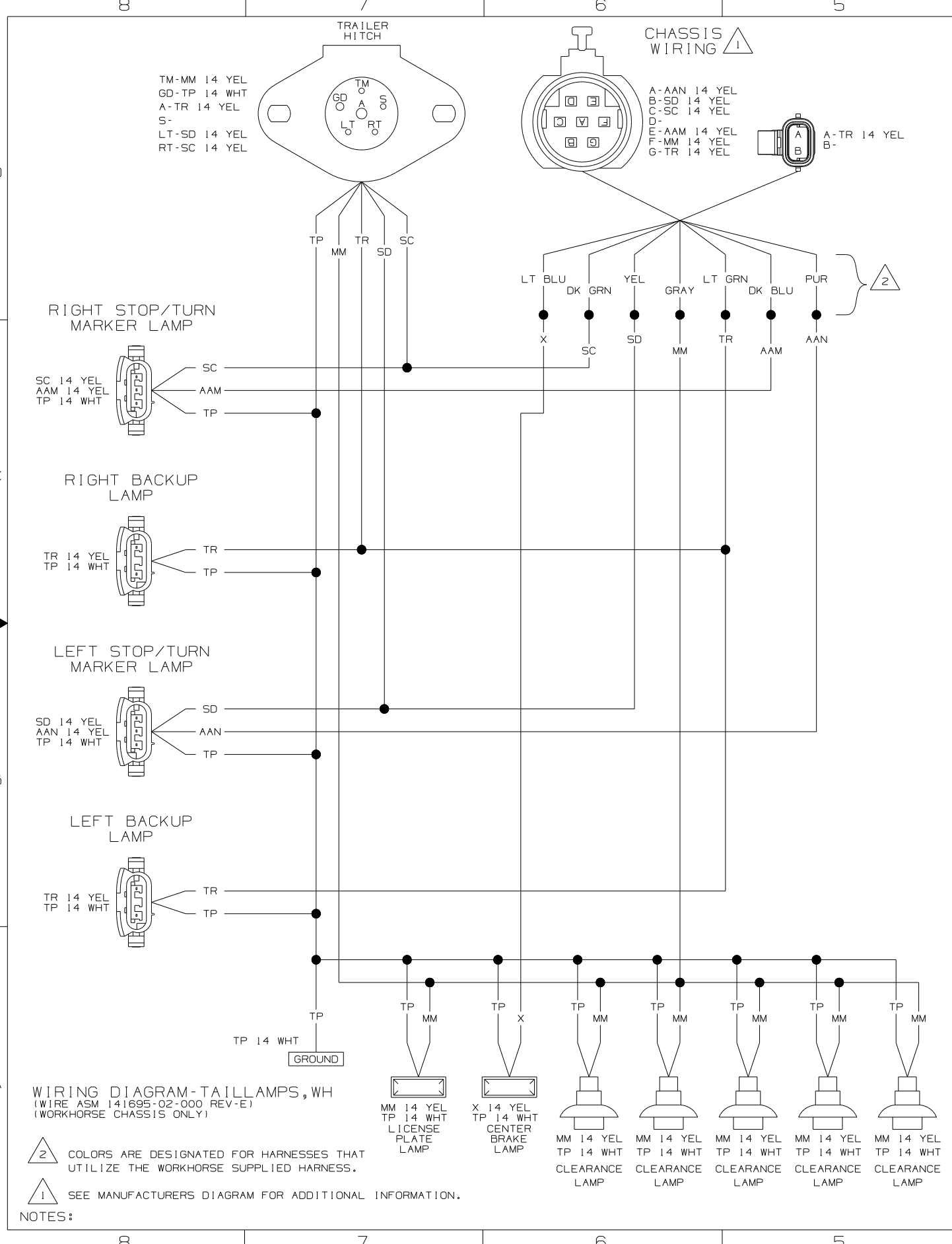
FIRST USED	05 G-SERIES	
TITLE	DO NOT SCALE DRAWING	
	WIRING DIAGRAM-AUTO LAMPS	
SHEET 2	PART NO	148568



WIRING DIAGRAM-CLEARANCE LAMPS
(WIRE ASM 126486-01-000 REV.E)

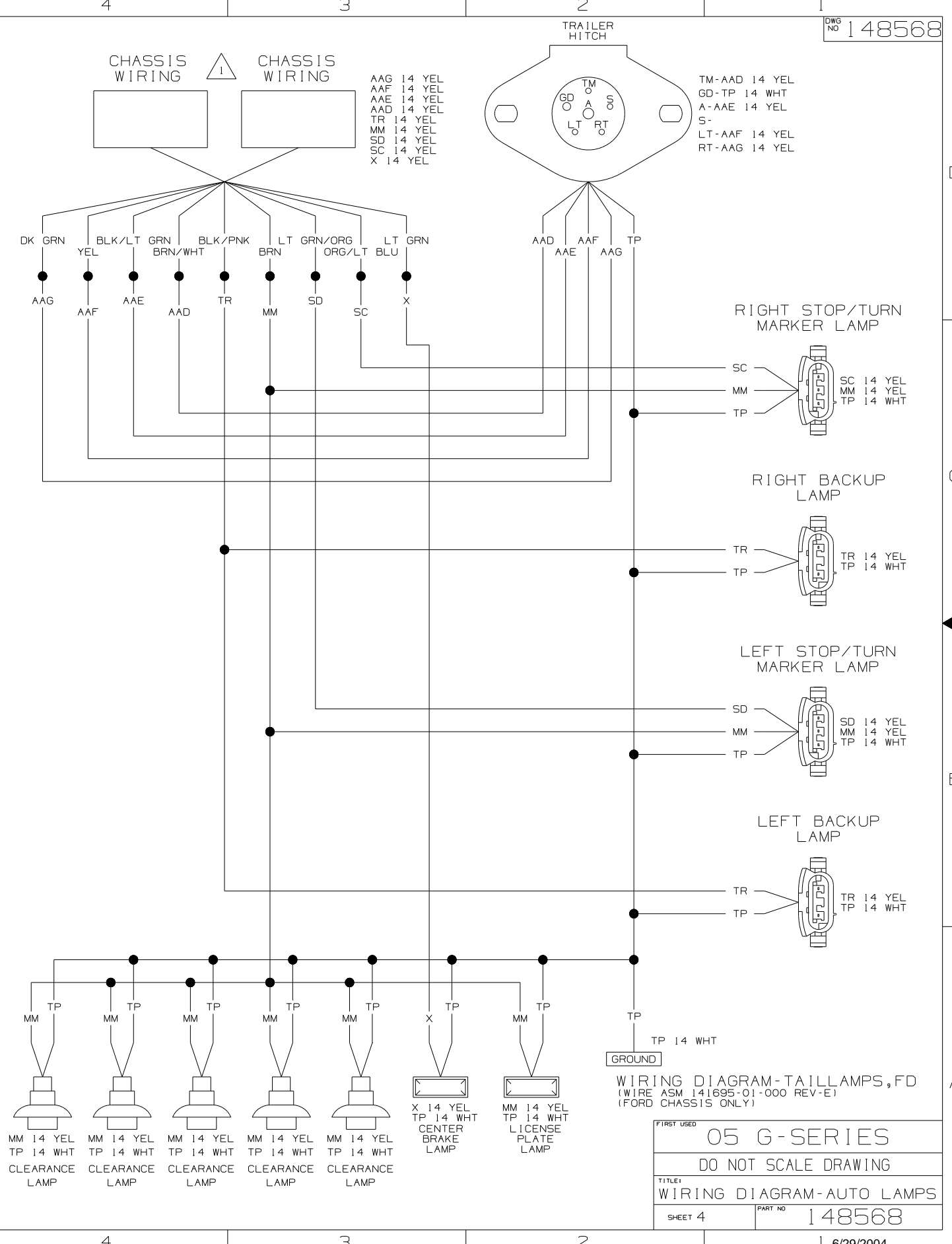
NOTES: ¹ SEE WIRING DIAGRAM-AUTO FOR ADDITIONAL INFORMATION.

FIRST USED	05 G-SERIES
TITLE	DO NOT SCALE DRAWING
TITLE	WIRING DIAGRAM-AUTO LAMPS
SHEET 3	PART NO 148568



WIRING DIAGRAM-TAILLAMPS, WH
(WIRE ASM 141695-02-000 REV-E)
(WORKHORSE CHASSIS ONLY)

NOTES:
2 COLORS ARE DESIGNATED FOR HARNESSES THAT UTILIZE THE WORKHORSE SUPPLIED HARNESS.
1 SEE MANUFACTURERS DIAGRAM FOR ADDITIONAL INFORMATION.



WIRING DIAGRAM-TAILLAMPS, FD
(WIRE ASM 141695-01-000 REV-E)
(FORD CHASSIS ONLY)

FIRST USED	
05 G-SERIES	
DO NOT SCALE DRAWING	
TITLE: WIRING DIAGRAM-AUTO LAMPS	
SHEET 4	PART NO 148568