



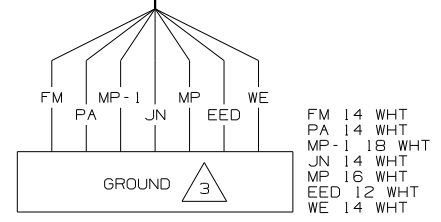
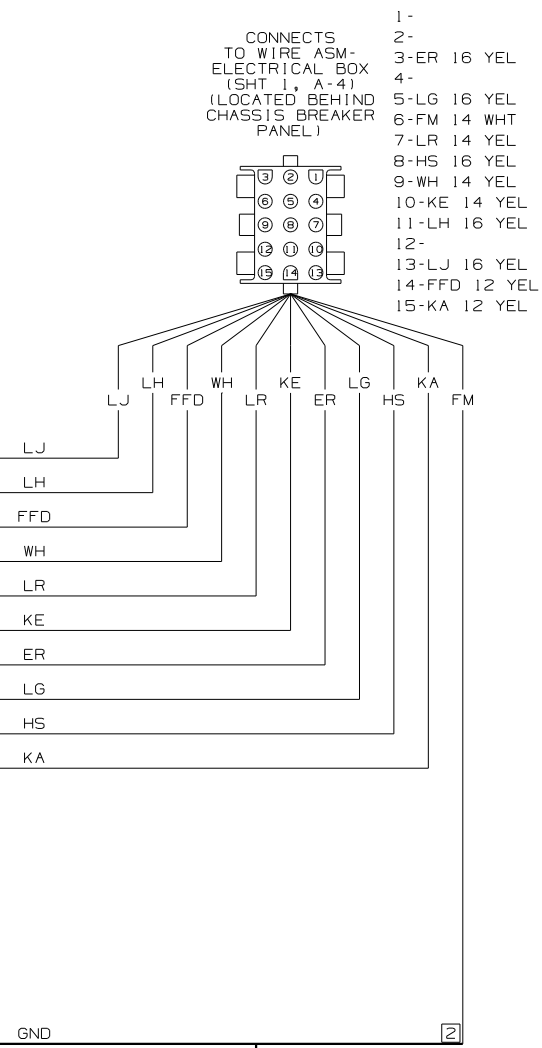
DANGER

Danger of electrical shock, burns or death. Always remove all power sources before attempting any repair, service or diagnostic work. Power can be present from shore power, generator, inverter or battery. All power sources must be disabled and secured before performing any service.

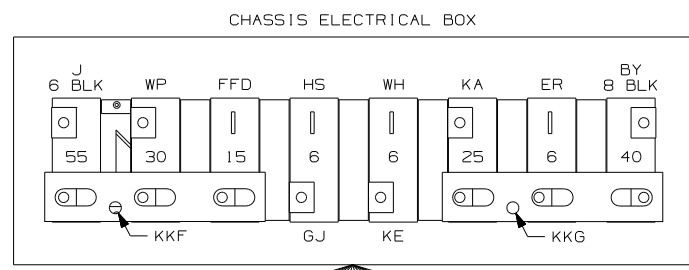


CAUTION

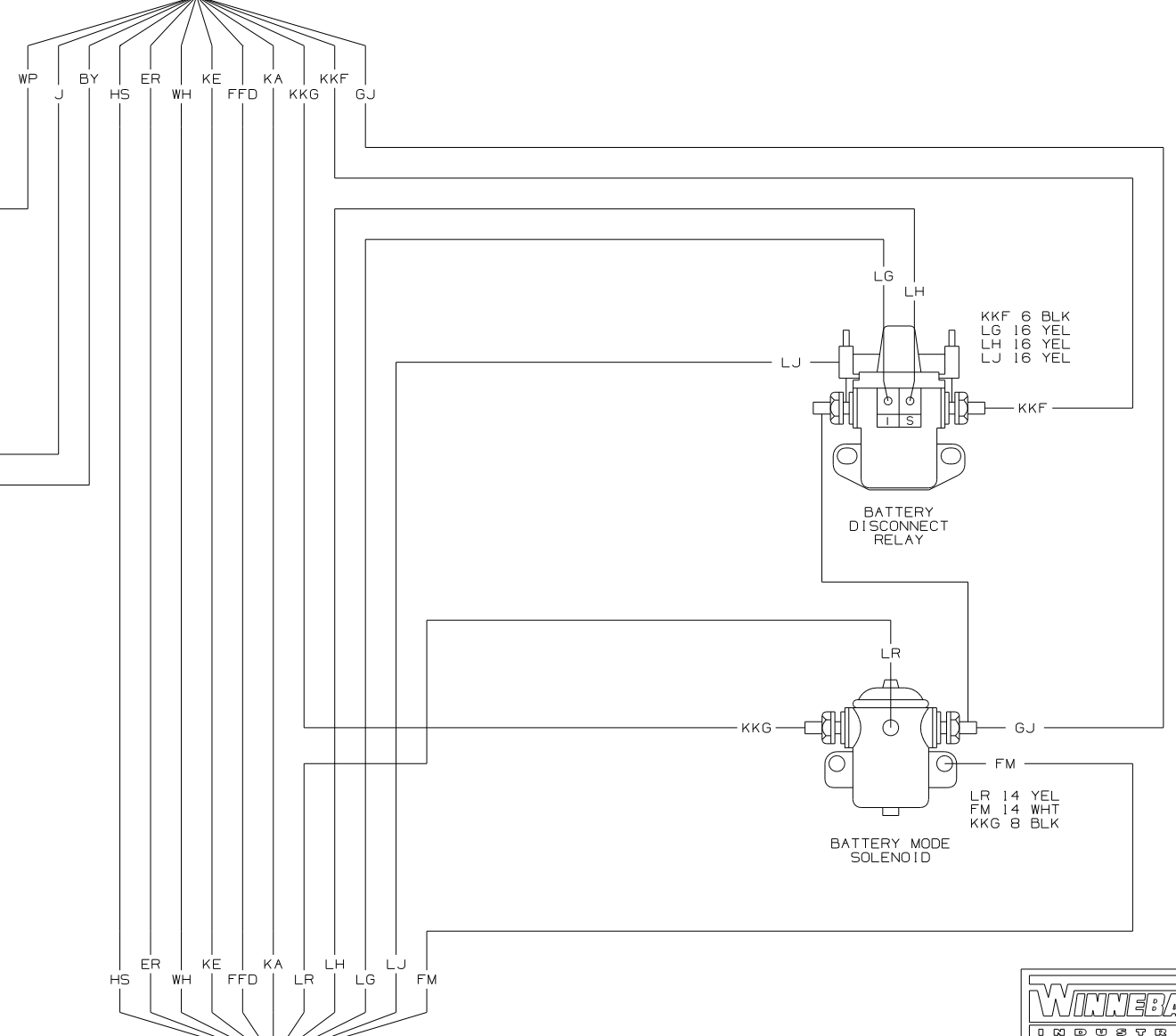
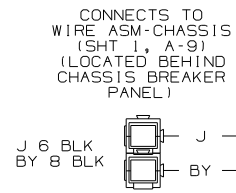
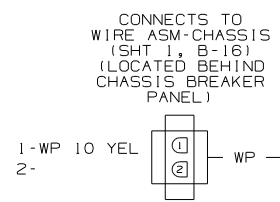
If you lack the skills, tools or equipment to perform diagnostic or repair work leave such work to an authorized Winnebago Industries dealer or other qualified shop.



WIRING DIAGRAM-CHASSIS
 (WIRE ASM 150388 REV-E)



- J 6 BLK
WP 10 YEL
FFD 12 YEL
HS 16 YEL
WH 14 YEL
KA 12 YEL
ER 16 YEL
BY 8 BLK
GJ 16 YEL
KE 14 YEL
KKF 6 BLK
KKG 8 BLK



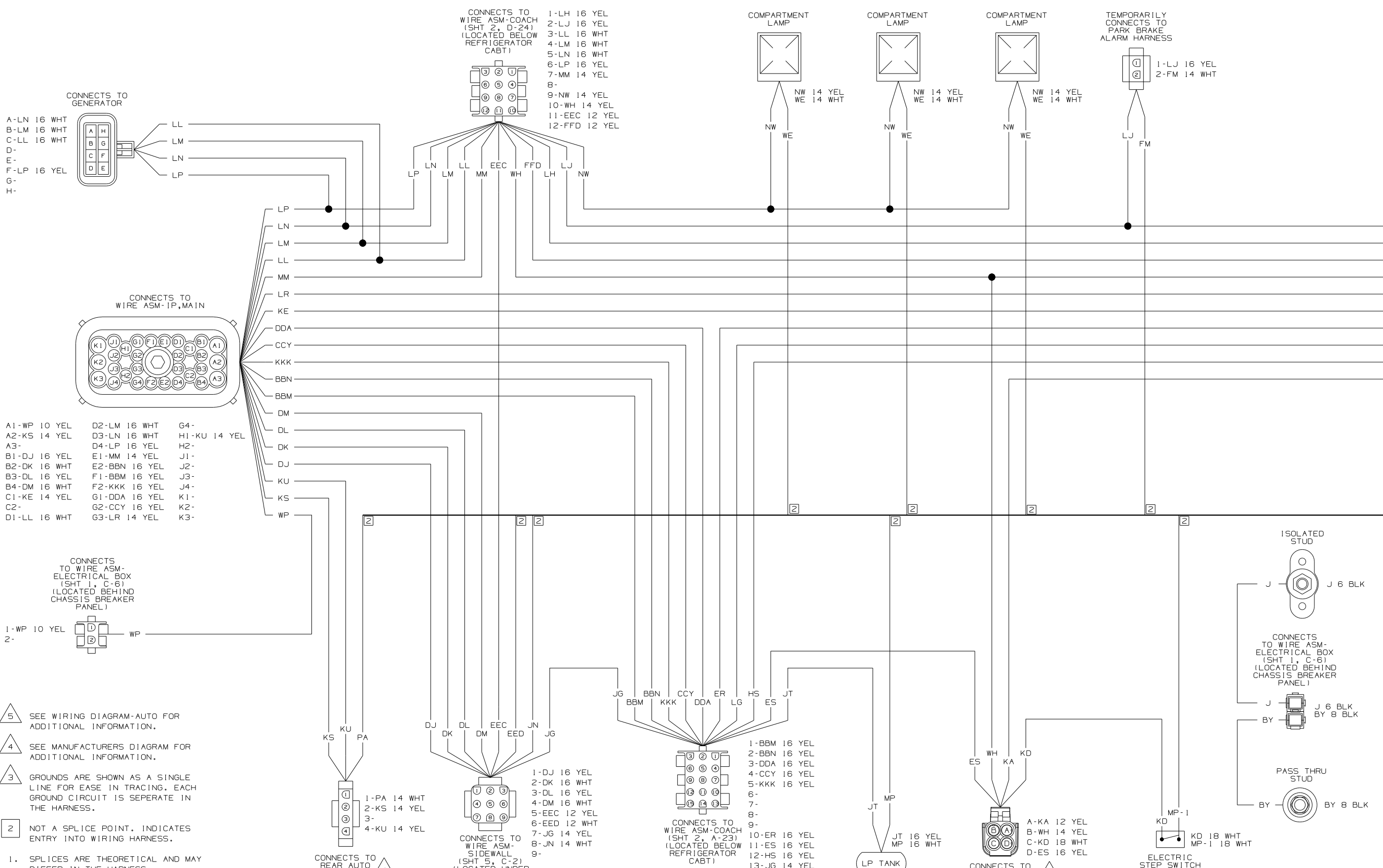
- 1-
2-
3-ER 16 YEL
4-
5-LG 16 YEL
6-FM 14 WHT
7-LR 14 YEL
8-HS 16 YEL
9-WH 14 YEL
10-KE 14 YEL
11-LH 16 YEL
12-
13-LJ 16 YEL
14-FFD 12 YEL
15-KA 12 YEL

CONNECTS TO WIRE ASM-CHASSIS (SHT 1, D-8) (LOCATED BEHIND CHASSIS BREAKER PANEL)

WIRING DIAGRAM-ELECTRICAL BOX
 (WIRE ASM 124125-03 REV-L)

WINNEBAGO COPYRIGHT 2004 WINNEBAGO INDUSTRIES, INC.

DFTR	ORIG. DATE
CHR	ALL DIMENSIONS ARE IN MILLIMETERS
P.E.	
M.E.	FIRST USED
DSNR	05 F38J
UNSPECIFIED TOLERANCES ARE:	
WHOLE DIM (XX)	MATERIAL:
ONE-PLACE (X.X)	
TWO-PLACE (X.XX)	
ANGLE	
THIRD ANGLE PROJECTION	
DO NOT SCALE DRAWING	
TITLE: WIRING DIAGRAM-BODY, 12V	
SHEET 1 of 7	PART NO 150383



CONNECTS TO GENERATOR

A-LN 16 WHT
B-LM 16 WHT
C-LL 16 WHT
D-
E-LP 16 YEL
G-
H-

CONNECTS TO WIRE ASM-COACH (SHIT 2, D-24) (LOCATED BELOW REFRIGERATOR CABT)

1-LH 16 YEL
2-LJ 16 YEL
3-LL 16 WHT
4-LM 16 WHT
5-LN 16 WHT
6-LP 16 YEL
7-MM 14 YEL
8-
9-NW 14 YEL
10-WH 14 YEL
11-EEC 12 YEL
12-FFD 12 YEL

CONNECTS TO WIRE ASM-IP, MAIN

K1 J1 G1 F1 E1 D1 B1 A1
K2 J2 G2 F2 E2 D2 B2 A2
K3 J3 G3 F3 E3 D3 B3 A3
K4 J4 G4 F4 E4 D4 B4 A4

A1-WP 10 YEL
A2-KS 14 YEL
A3-
B1-DJ 16 YEL
B2-DK 16 WHT
B3-DL 16 YEL
B4-DM 16 WHT
C1-KE 14 YEL
C2-
D1-LL 16 WHT

D2-LM 16 WHT
D3-LN 16 WHT
D4-LP 16 YEL
E1-MM 14 YEL
E2-BBN 16 YEL
F1-BBM 16 YEL
F2-KKK 16 YEL
G1-DDA 16 YEL
G2-CCY 16 YEL
G3-LR 14 YEL

G4-
H1-KU 14 YEL
H2-
J1-
J2-
J3-
J4-
K1-
K2-
K3-

CONNECTS TO WIRE ASM-ELECTRICAL BOX (SHIT 1, C-6) (LOCATED BEHIND CHASSIS BREAKER PANEL)

1-WP 10 YEL
2-
WP

- 5 SEE WIRING DIAGRAM-AUTO FOR ADDITIONAL INFORMATION.
- 4 SEE MANUFACTURERS DIAGRAM FOR ADDITIONAL INFORMATION.
- 3 GROUNDS ARE SHOWN AS A SINGLE LINE FOR EASE IN TRACING. EACH GROUND CIRCUIT IS SEPERATE IN THE HARNESS.
- 2 NOT A SPLICE POINT. INDICATES ENTRY INTO WIRING HARNESS.

1. SPLICES ARE THEORETICAL AND MAY DIFFER IN THE HARNESS.

CONNECTS TO REAR AUTO HEATER

1-PA 14 WHT
2-KS 14 YEL
3-
4-KU 14 YEL

CONNECTS TO WIRE ASM-SIDEWALL (SHIT 5, C-2) (LOCATED UNDER GALLEY CABT IN SLIDEOUT)

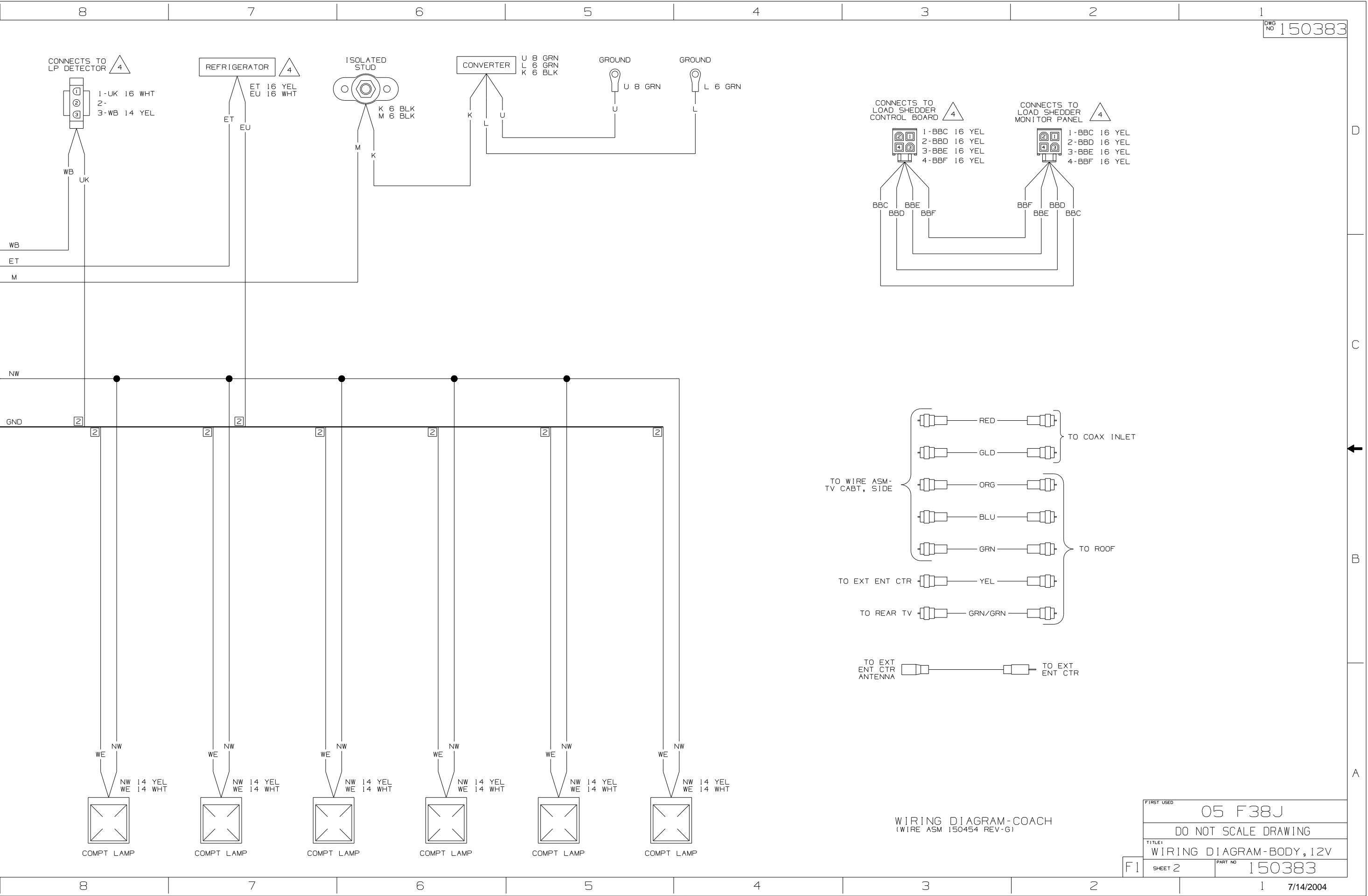
1-DJ 16 YEL
2-DK 16 WHT
3-DL 16 YEL
4-DM 16 WHT
5-EEC 12 YEL
6-EED 12 WHT
7-JG 14 YEL
8-JN 14 WHT
9-

CONNECTS TO WIRE ASM-COACH (SHIT 2, A-23) (LOCATED BELOW REFRIGERATOR CABT)

1-BBM 16 YEL
2-BBN 16 YEL
3-DDA 16 YEL
4-CCY 16 YEL
5-KKK 16 YEL
6-
7-
8-
9-
10-ER 16 YEL
11-ES 16 YEL
12-HS 16 YEL
13-JG 14 YEL
14-JT 16 YEL
15-LG 16 YEL

CONNECTS TO ELECTRIC STEP

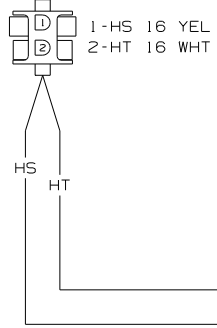
A-KA 12 YEL
B-WH 14 YEL
C-KD 18 WHT
D-ES 16 YEL



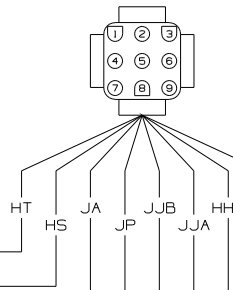
WIRING DIAGRAM-COACH
(WIRE ASM 150454 REV-G)

FIRST USED	05 F38J	
TITLE	DO NOT SCALE DRAWING	
	WIRING DIAGRAM-BODY, 12V	
SHEET 2	PART NO	150383

CONNECTS TO SOLAR PANEL INDICATOR LIGHT 4

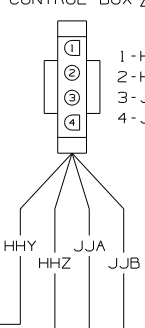


CONNECTS TO WIRE ASM-ROOF (SHT 3, D-13) (LOCATED BEHIND MONITOR PANEL)



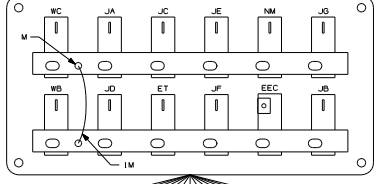
- 1-HHY 16 WHT
- 2-HHZ 16 YEL
- 3-JJA 16 YEL
- 4-JJB 16 YEL
- 5-JA 14 YEL
- 6-JP 14 WHT
- 7-HS 16 YEL
- 8-HT 16 WHT
- 9-

CONNECTS TO AWNING CONTROL BOX 4



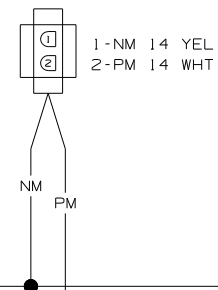
- 1-HHY 16 WHT
- 2-HHZ 16 YEL
- 3-JJA 16 YEL
- 4-JJB 16 YEL

12V BREAKER PANEL



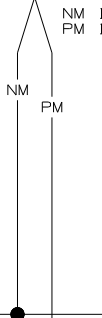
- WC 14 YEL
- JA 12 YEL
- JC 14 YEL
- JE 14 YEL
- NM 14 YEL
- JG 14 YEL
- JD 14 YEL
- JF 14 YEL
- ET 16 YEL
- JB 14 YEL
- EEC 12 YEL
- M 6 BLK
- 1M 8 BLK

CONNECTS TO 2-WAY RADIOS 4



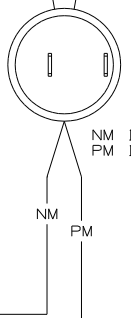
- 1-NM 14 YEL
- 2-PM 14 WHT

REAR TV WALLPLATE



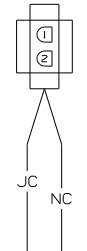
- NM 14 YEL
- PM 14 WHT

12V RECEPTACLE

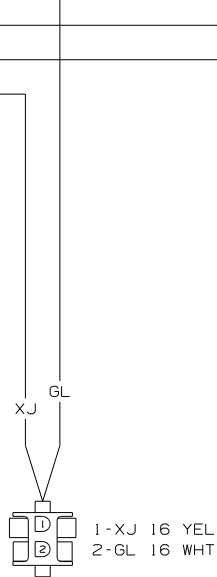
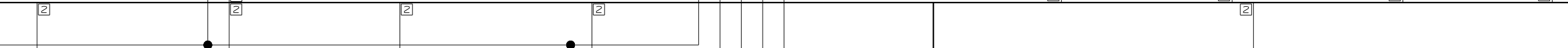
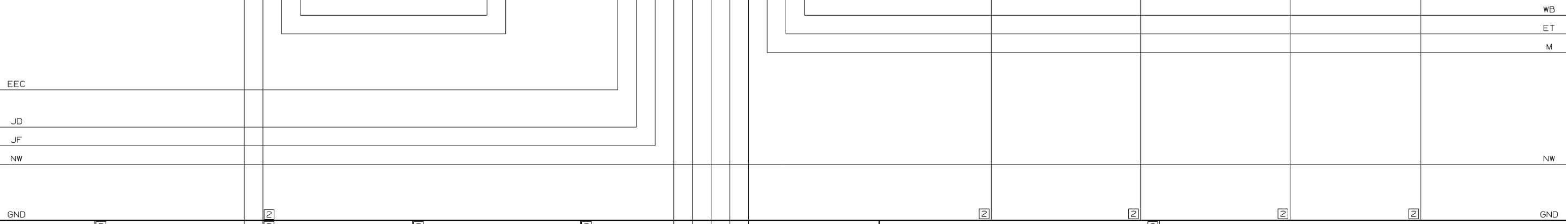


- NM 14 YEL
- PM 14 WHT

CONNECTS TO WIRE ASM-EXTENSION, 2 HSG (SHT 5, D-6) (LOCATED UNDER BED)

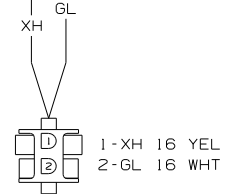


- 1-JC 14 YEL
- 2-NC 14 WHT



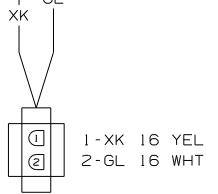
- 1-XJ 16 YEL
- 2-GL 16 WHT

CONNECTS TO WIRE ASM-WATER TANK



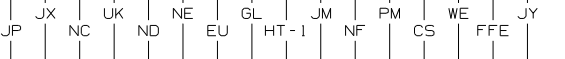
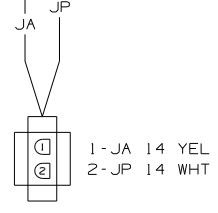
- 1-XH 16 YEL
- 2-GL 16 WHT

CONNECTS TO WIRE ASM-AUX HOLDING TANK



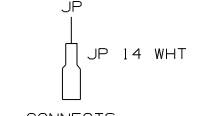
- 1-XK 16 YEL
- 2-GL 16 WHT

CONNECTS TO WIRE ASM-ENTERTAINMENT CENTER (SHT 6, D-5) (LOCATED IN EXT ENT CTR)

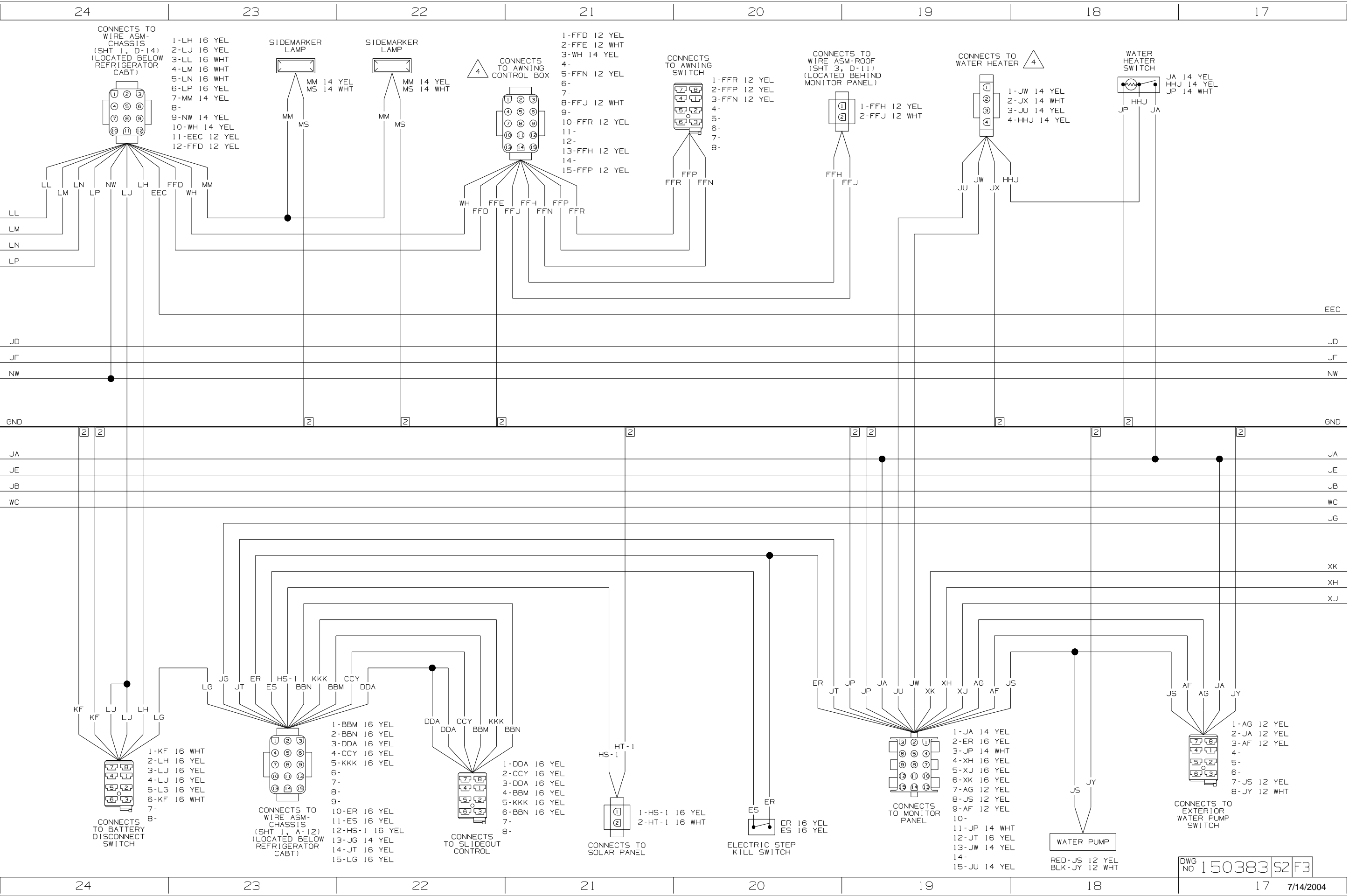


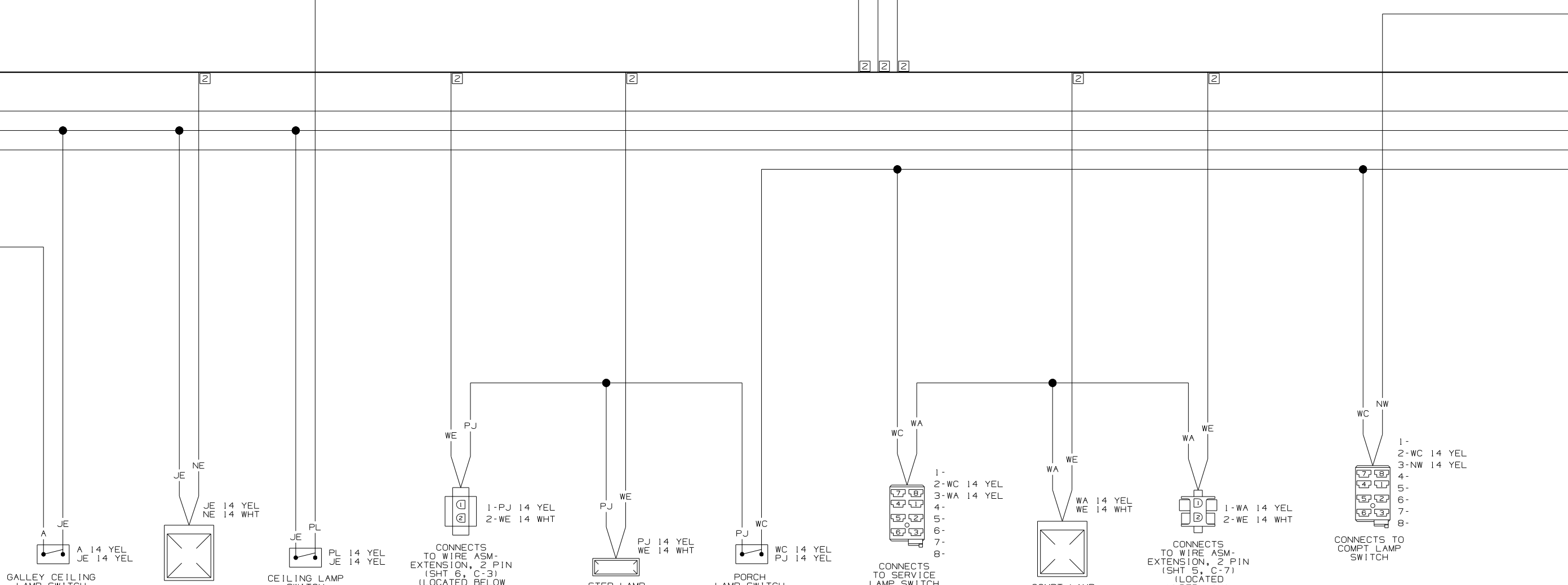
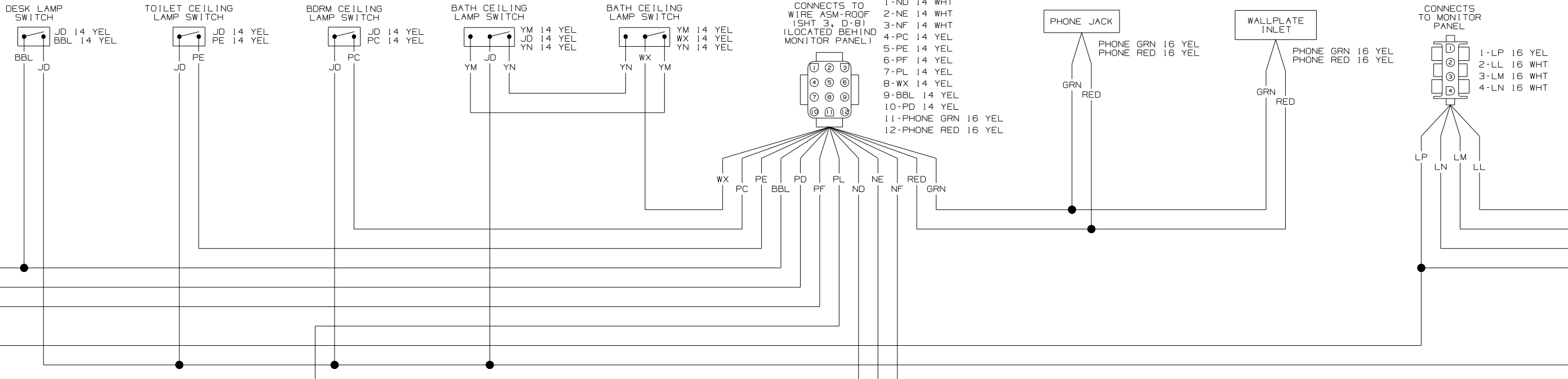
- KF 16 WHT
- MS 14 WHT
- JP 14 WHT
- JX 14 WHT
- NC 14 WHT
- UK 16 WHT
- ND 14 WHT
- NE 14 WHT
- EU 16 WHT
- GL 16 WHT
- HT-1 16 WHT
- JM 14 WHT
- NF 14 WHT
- PM 14 WHT
- CS 16 WHT
- WE 14 WHT
- FFE 12 WHT
- JY 12 WHT

GROUND 3



CONNECTS TO ANTENNA GROUND



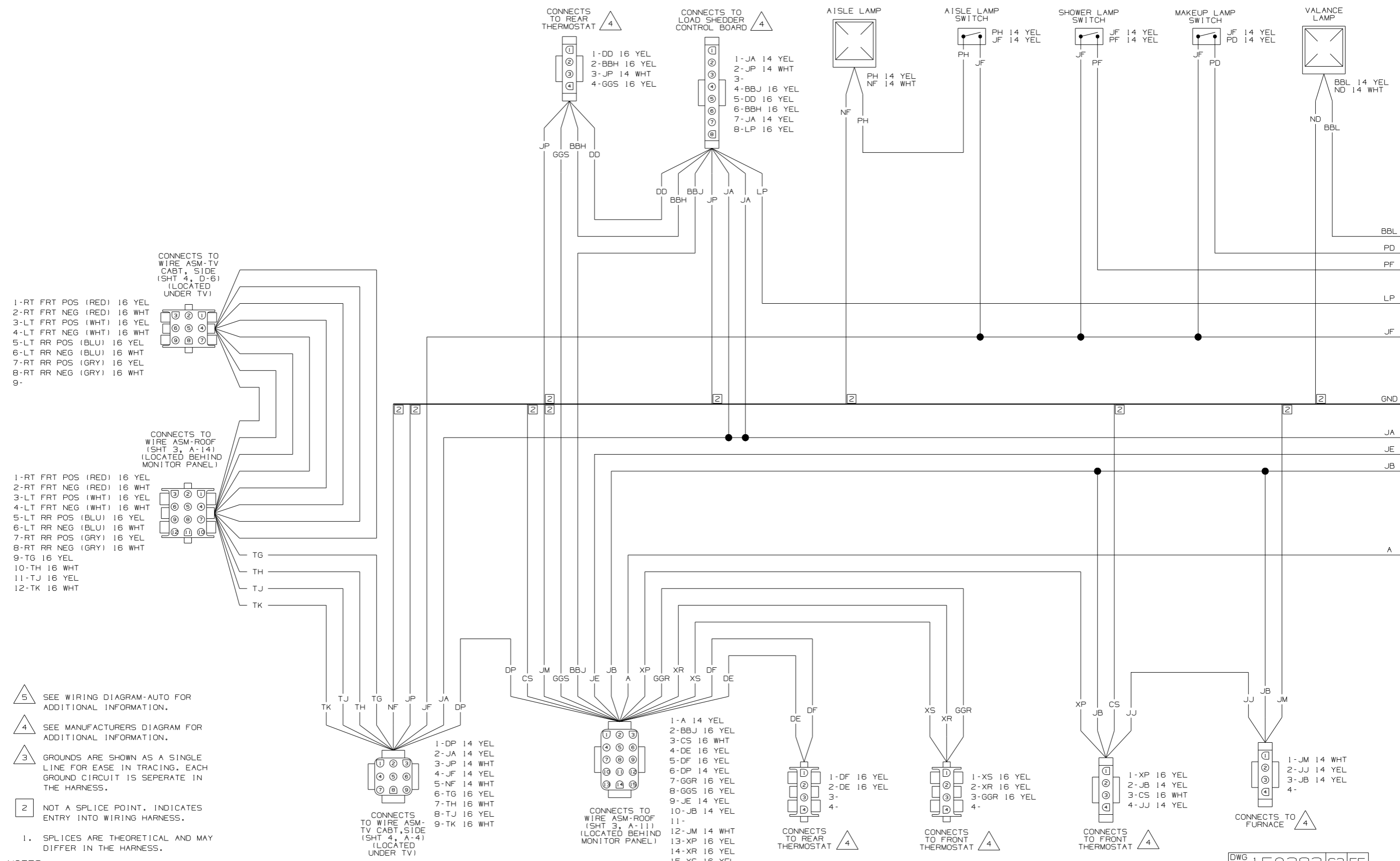


D

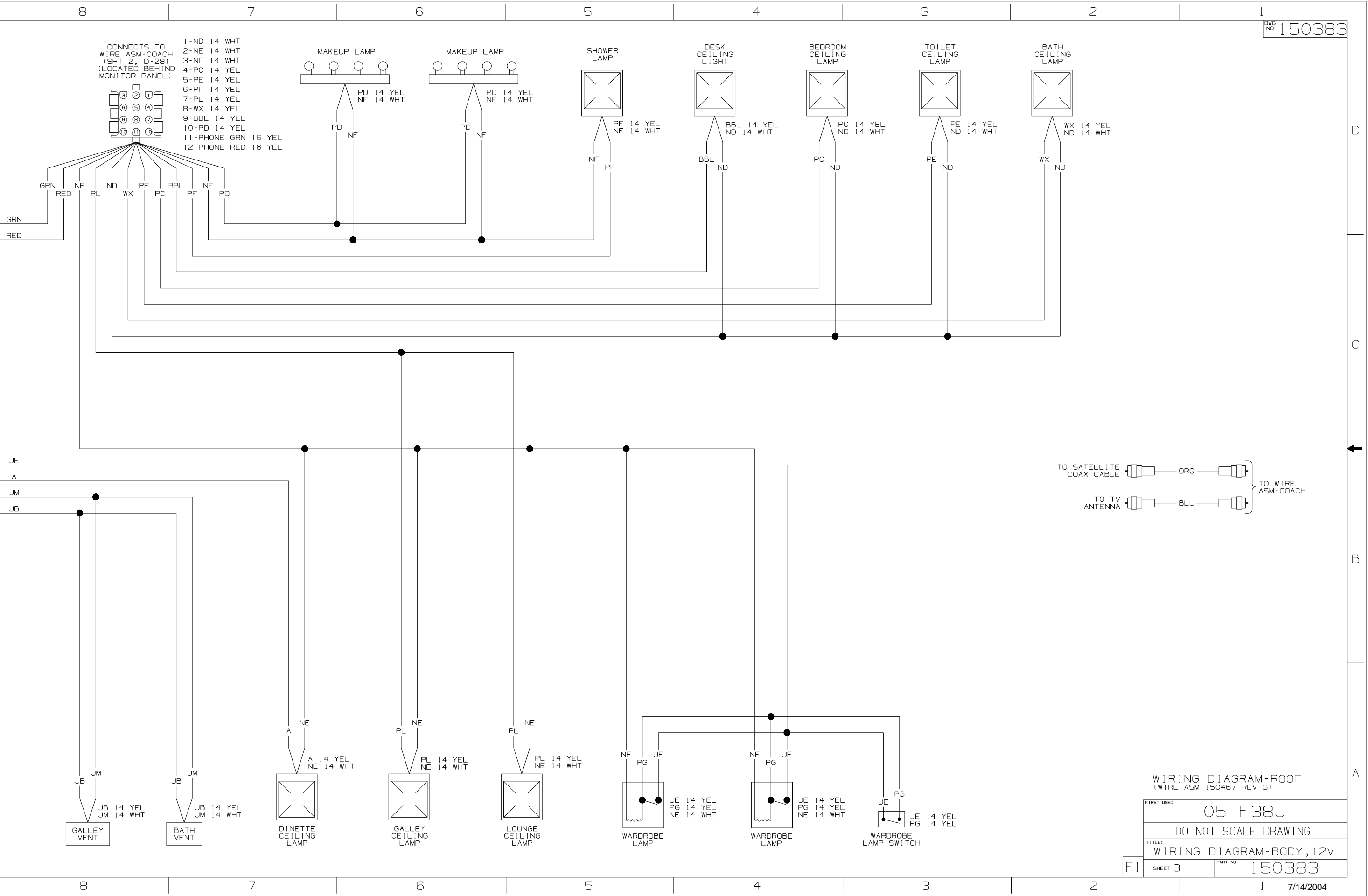
C

B

A

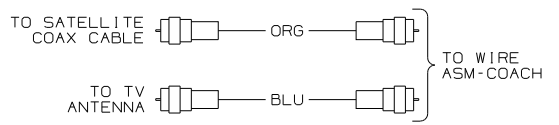
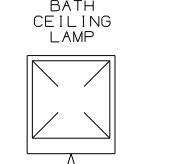
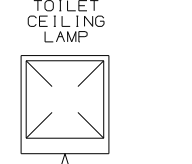
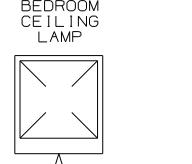
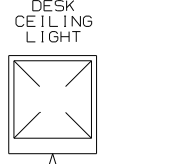
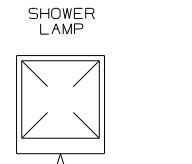
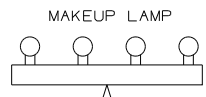
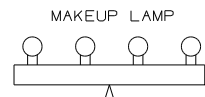


- 5 SEE WIRING DIAGRAM-AUTO FOR ADDITIONAL INFORMATION.
- 4 SEE MANUFACTURERS DIAGRAM FOR ADDITIONAL INFORMATION.
- 3 GROUNDS ARE SHOWN AS A SINGLE LINE FOR EASE IN TRACING. EACH GROUND CIRCUIT IS SEPERATE IN THE HARNESS.
- 2 NOT A SPLICE POINT. INDICATES ENTRY INTO WIRING HARNESS.
1. SPLICES ARE THEORETICAL AND MAY DIFFER IN THE HARNESS.



CONNECTS TO
WIRE ASM-COACH
(SHT 2, D-28)
(LOCATED BEHIND
MONITOR PANEL)

- 1-ND 14 WHT
- 2-NE 14 WHT
- 3-NF 14 WHT
- 4-PC 14 YEL
- 5-PE 14 YEL
- 6-PF 14 YEL
- 7-PL 14 YEL
- 8-WX 14 YEL
- 9-BBL 14 YEL
- 10-PD 14 YEL
- 11-PHONE GRN 16 YEL
- 12-PHONE RED 16 YEL



WIRING DIAGRAM-ROOF
(WIRE ASM 150467 REV-G)

FIRST USED 05 F38J

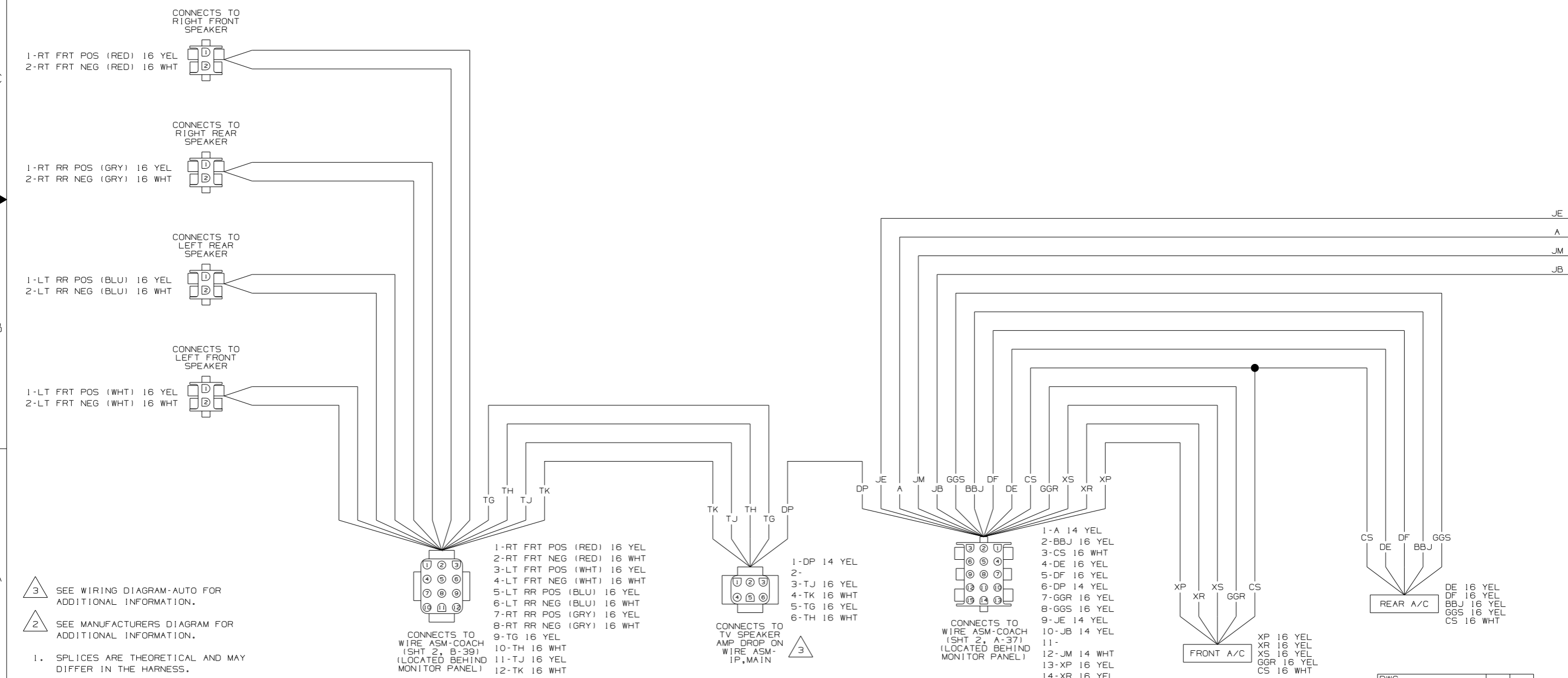
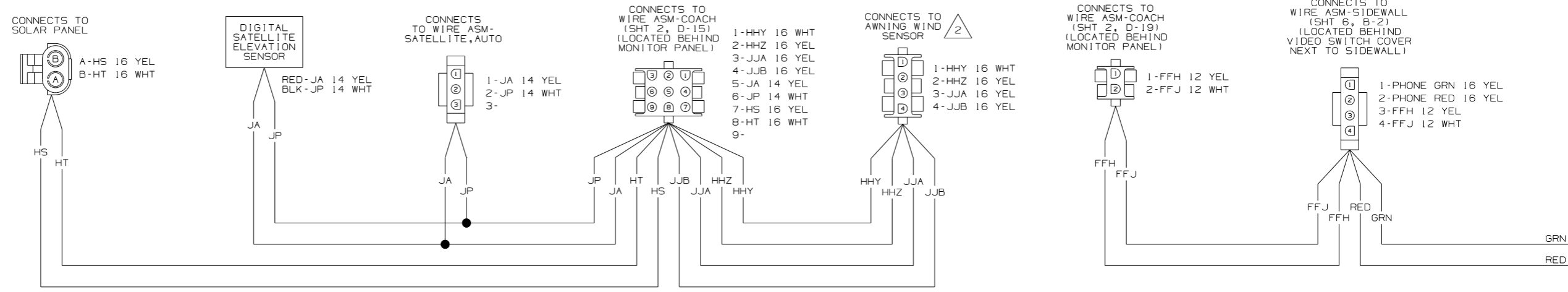
DO NOT SCALE DRAWING

TITLE: WIRING DIAGRAM-BODY, 12V

F1

SHEET 3

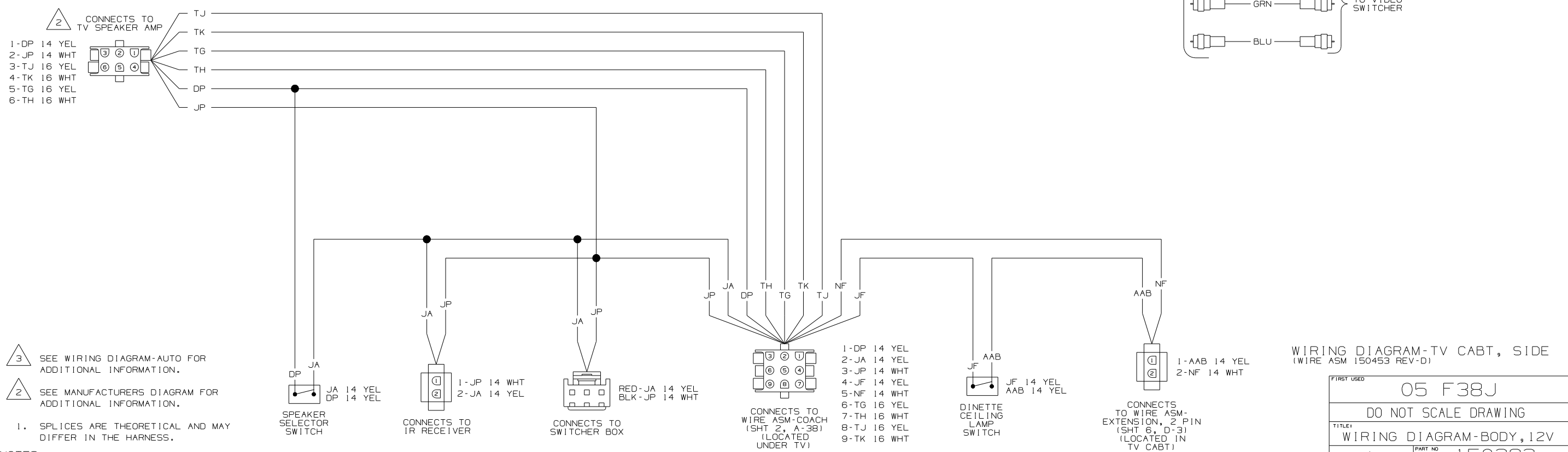
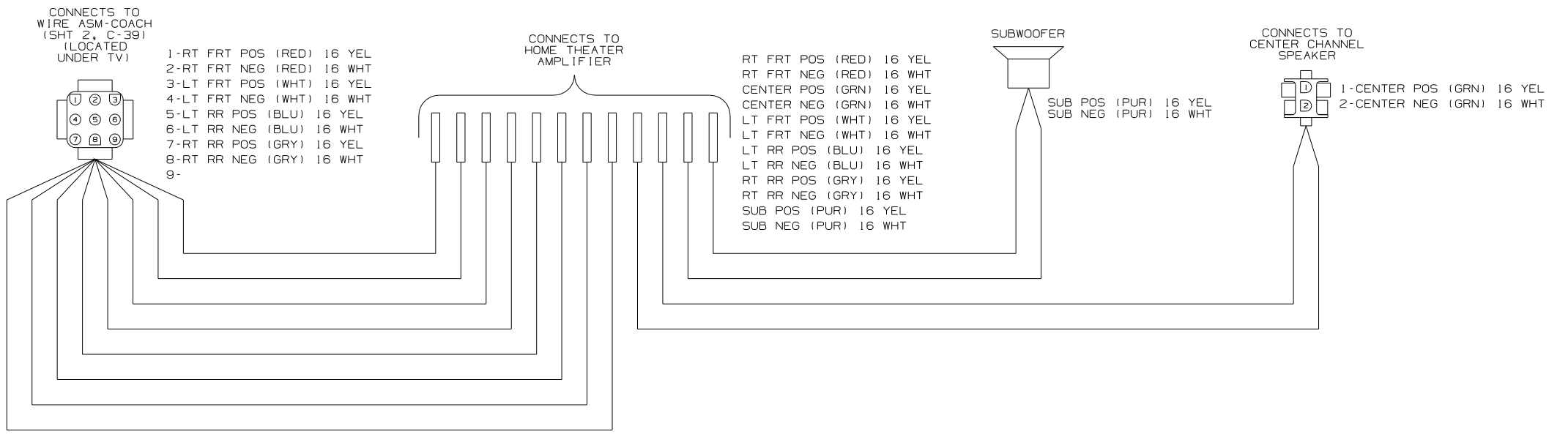
PART NO 150383



SEE WIRING DIAGRAM-AUTO FOR ADDITIONAL INFORMATION.

SEE MANUFACTURERS DIAGRAM FOR ADDITIONAL INFORMATION.

1. SPLICES ARE THEORETICAL AND MAY DIFFER IN THE HARNESS.



3 SEE WIRING DIAGRAM-AUTO FOR ADDITIONAL INFORMATION.

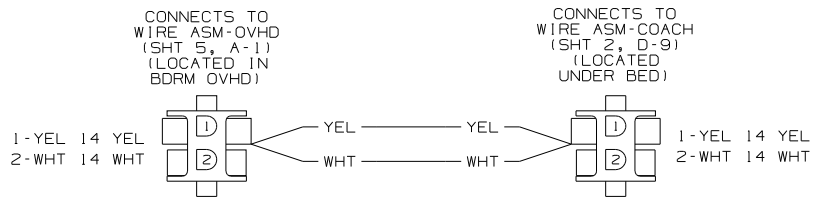
2 SEE MANUFACTURERS DIAGRAM FOR ADDITIONAL INFORMATION.

1. SPLICES ARE THEORETICAL AND MAY DIFFER IN THE HARNESS.

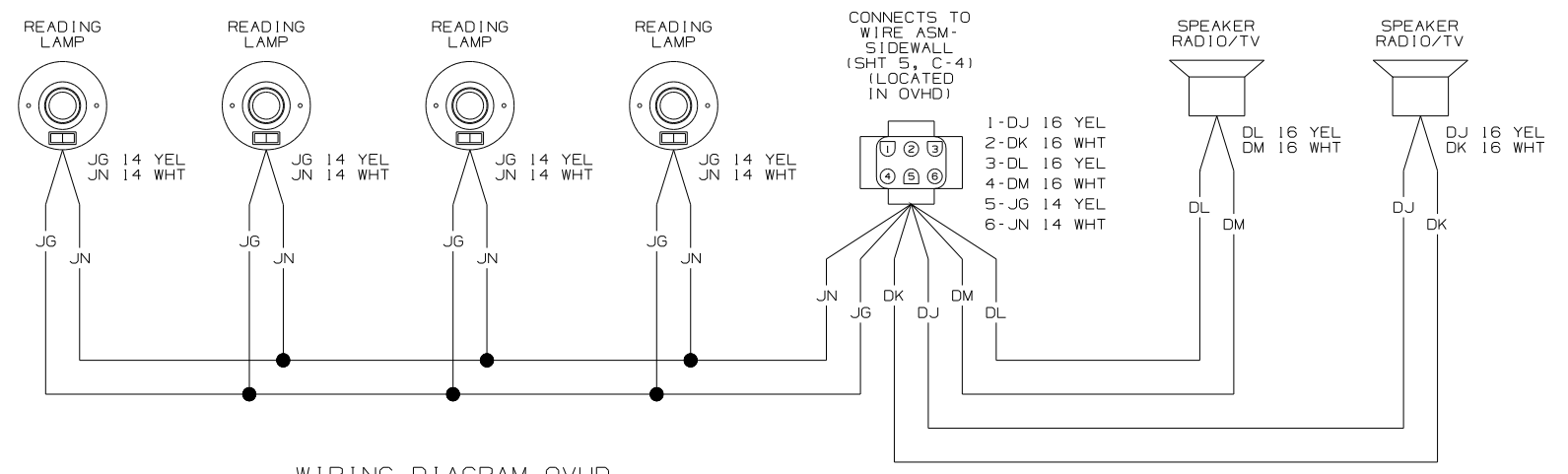
WIRING DIAGRAM-TV CABT, SIDE
 (WIRE ASM 150453 REV-D)

FIRST USED	05 F38J
DO NOT SCALE DRAWING	
TITLE	WIRING DIAGRAM-BODY, 12V
SHEET 4	PART NO 150383

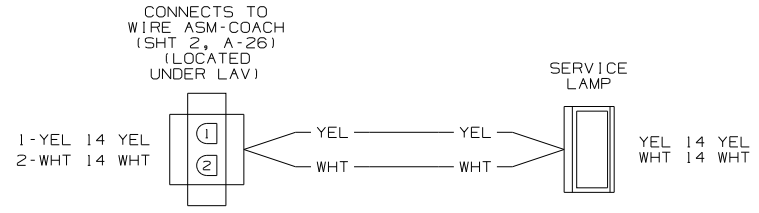
1 7/14/2004



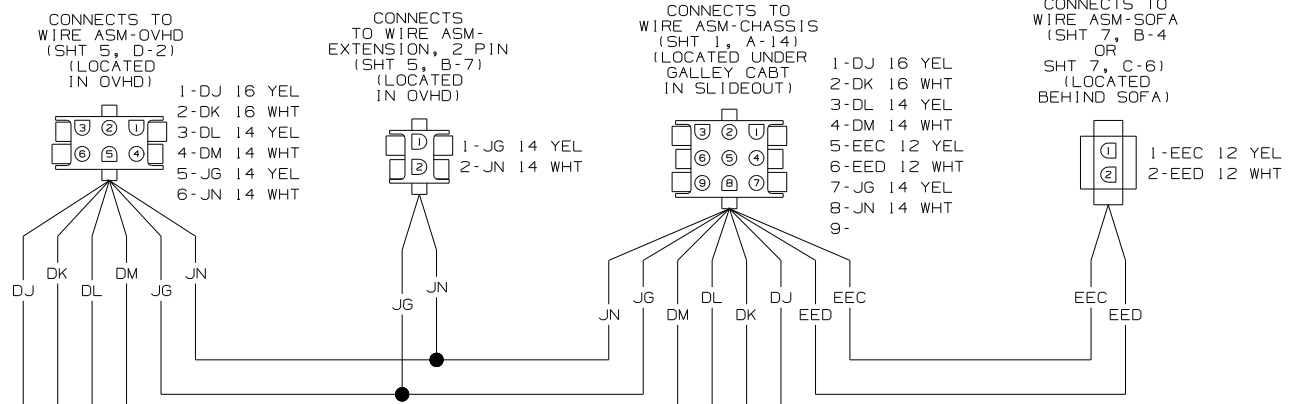
WIRING DIAGRAM-EXTENSION, 2 HSG
(WIRE ASM 137479-02 REV-D)



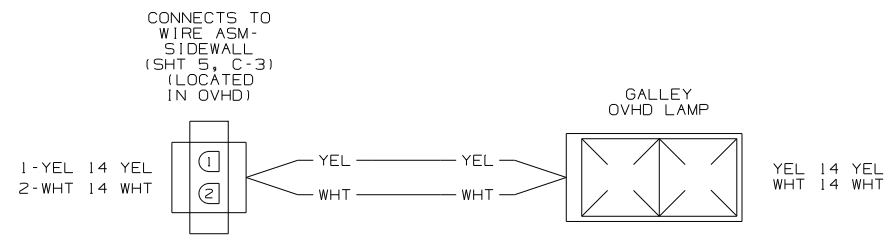
WIRING DIAGRAM-OVHD
(WIRE ASM 150468 REV-A)



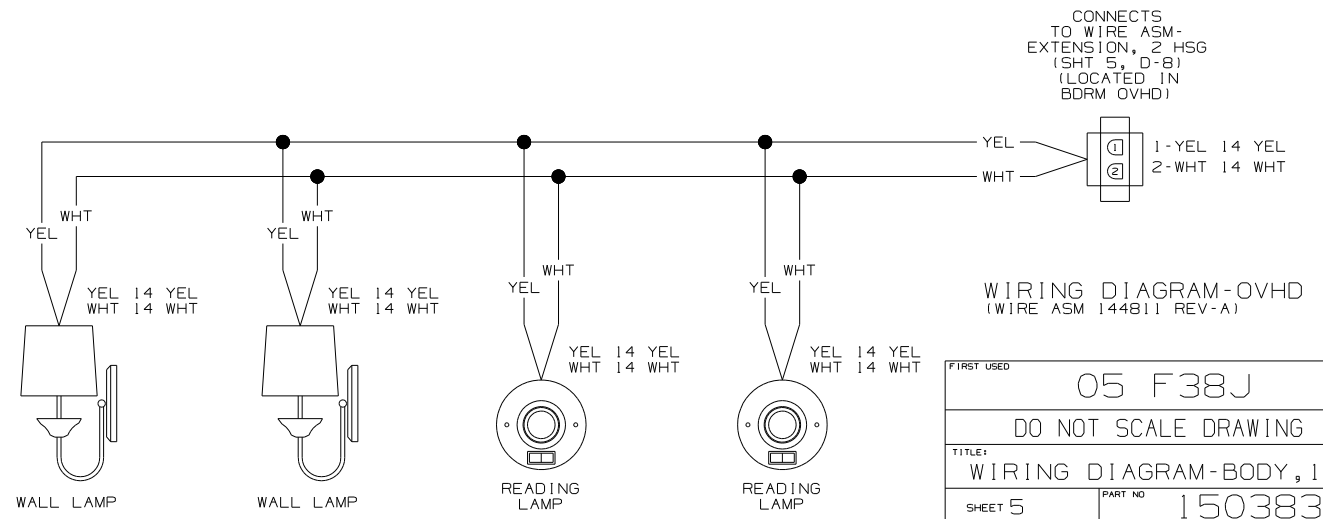
WIRING DIAGRAM-EXTENSION, 2 PIN
(WIRE ASM 133572-01 REV-E)



WIRING DIAGRAM-SIDEWALL
(WIRE ASM 149133 REV-A)



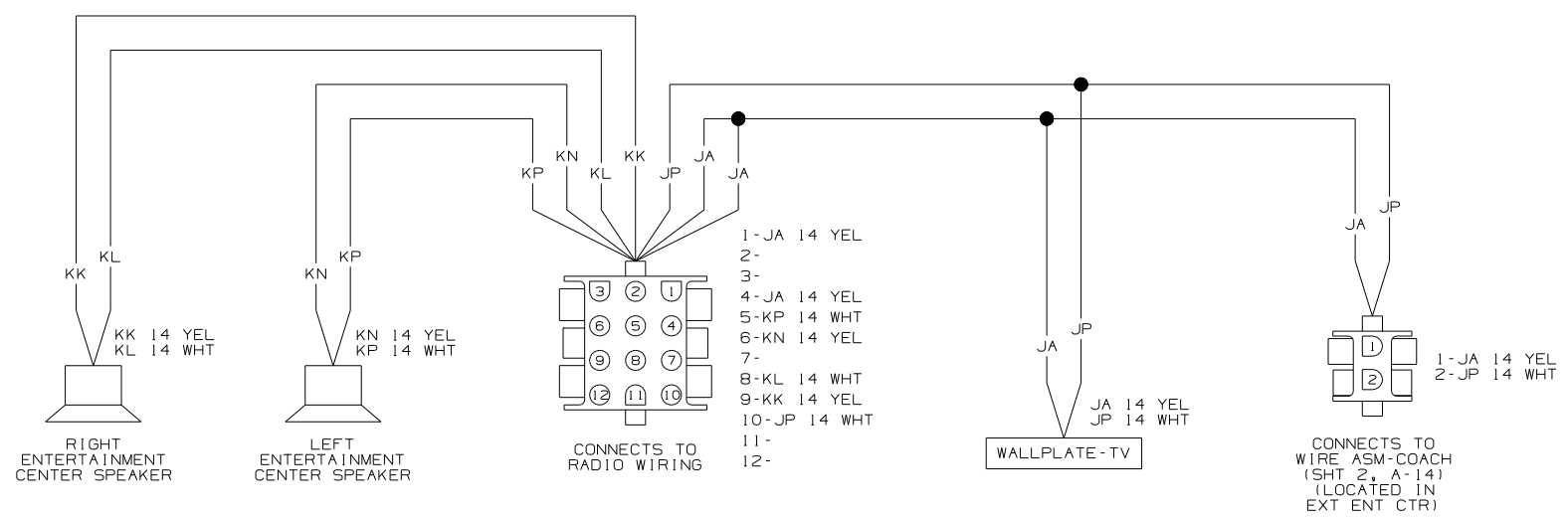
WIRING DIAGRAM-EXTENSION, 2 PIN
(WIRE ASM 133572-01 REV-E)



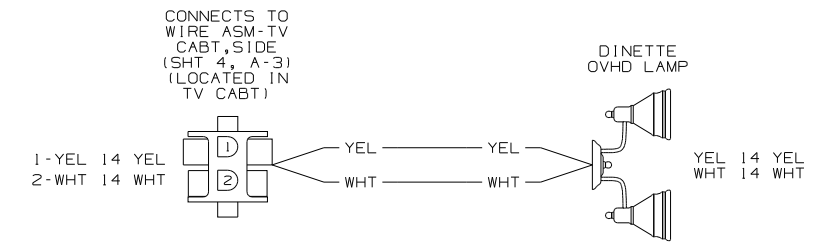
WIRING DIAGRAM-OVHD
(WIRE ASM 144811 REV-A)

- NOTES:
- 3 SEE WIRING DIAGRAM-AUTO FOR ADDITIONAL INFORMATION.
 - 2 SEE MANUFACTURERS DIAGRAM FOR ADDITIONAL INFORMATION.
 - 1. SPLICES ARE THEORETICAL AND MAY DIFFER IN THE HARNESS.

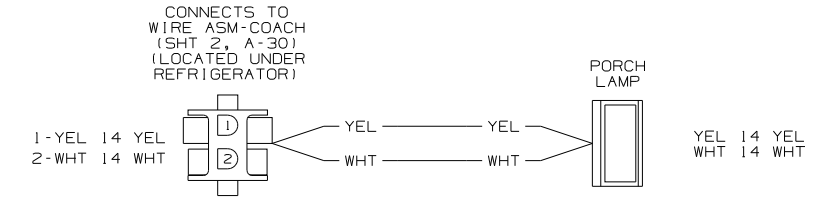
FIRST USED	05 F38J
TITLE	DO NOT SCALE DRAWING
TITLE	WIRING DIAGRAM-BODY, 12V
SHEET 5	PART NO 150383



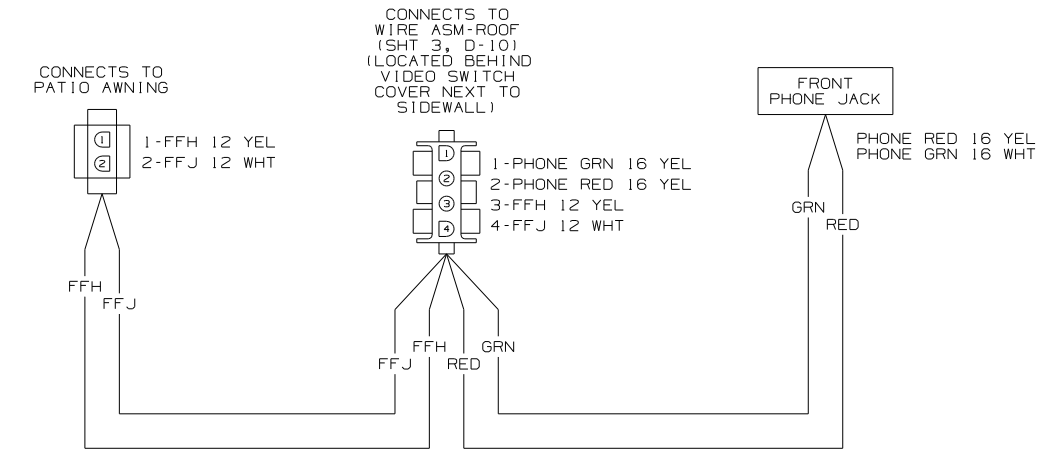
WIRING DIAGRAM-ENTERTAINMENT CTR
 (WIRE ASM 125853-04 REV-L)



WIRING DIAGRAM-EXTENSION, 2 PIN
 (WIRE ASM 149130 REV-B)



WIRING DIAGRAM-EXTENSION, 2 PIN
 (WIRE ASM 149130 REV-B)

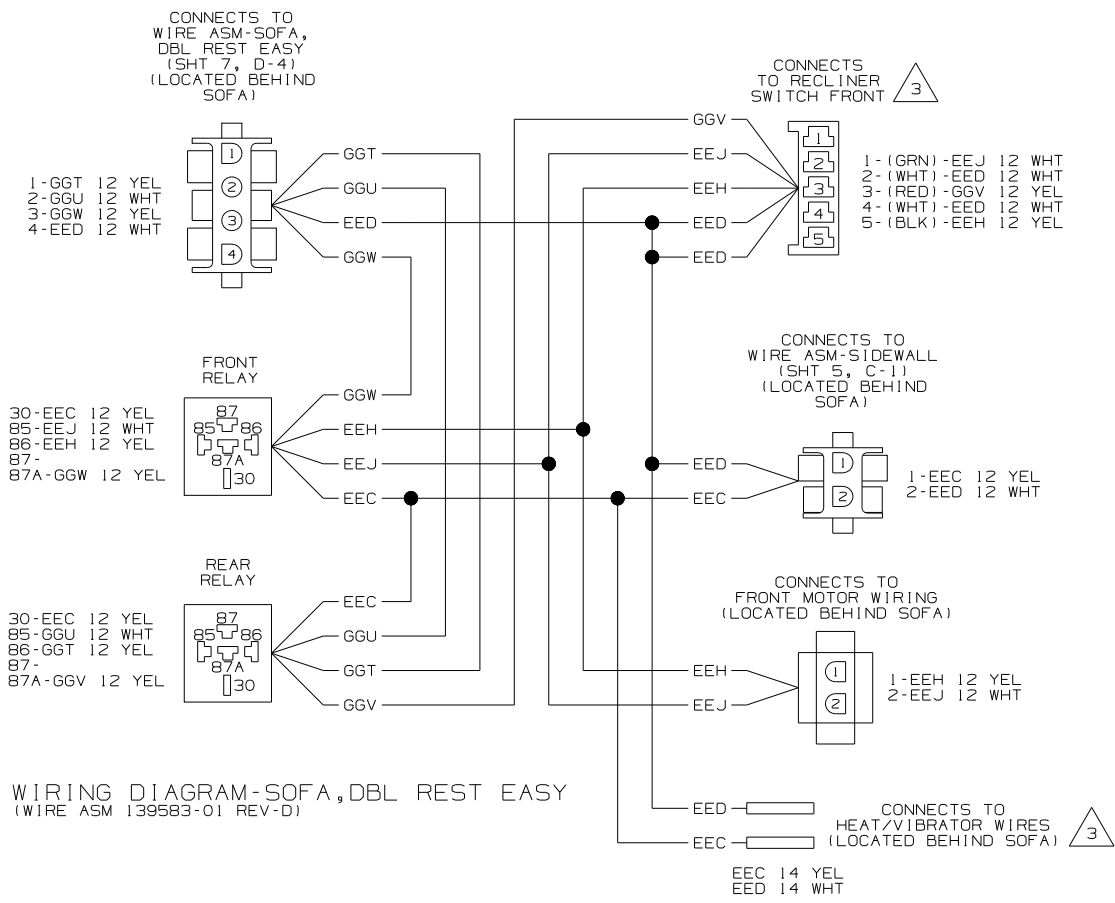


WIRING DIAGRAM-SIDEWALL
 (WIRE ASM 150470 REV-C)

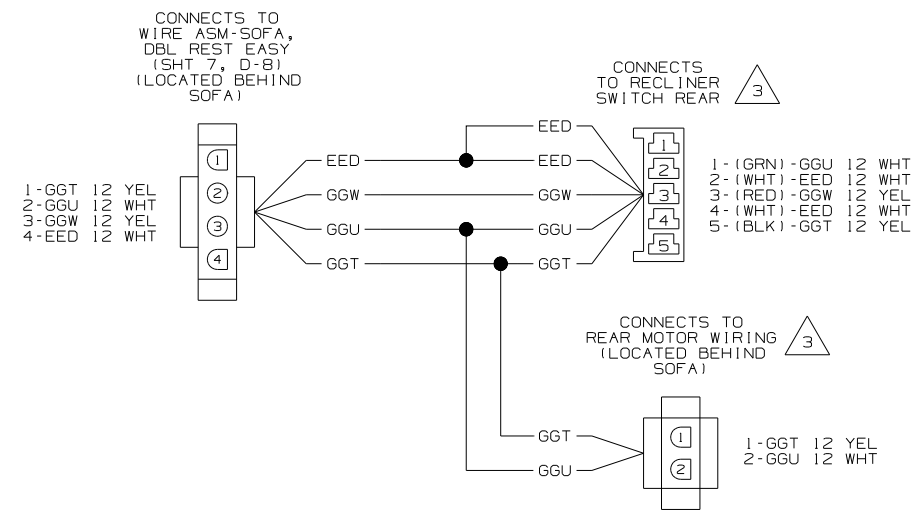
- 3 SEE WIRING DIAGRAM-AUTO FOR ADDITIONAL INFORMATION.
 2 SEE MANUFACTURERS DIAGRAM FOR ADDITIONAL INFORMATION.
 1. SPLICES ARE THEORETICAL AND MAY DIFFER IN THE HARNESS.

NOTES:

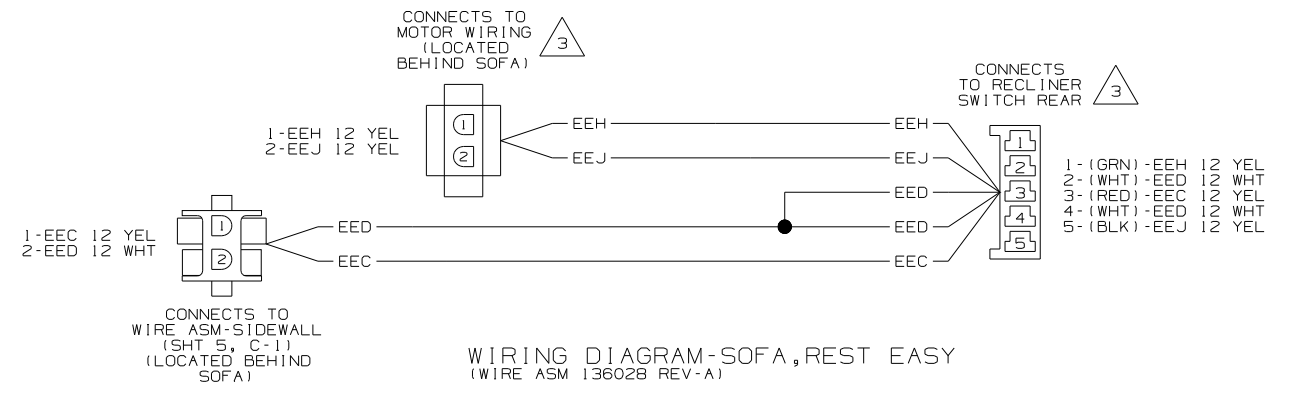
FIRST USED	05 F38J
TITLE	DO NOT SCALE DRAWING
	WIRING DIAGRAM-BODY, 12V
SHEET 6	PART NO 150383



WIRING DIAGRAM-SOFA, DBL REST EASY (WIRE ASM 139583-01 REV-D)



WIRING DIAGRAM-SOFA, DBL REST EASY (WIRE ASM 139583-02 REV-D)



WIRING DIAGRAM-SOFA, REST EASY (WIRE ASM 136028 REV-A)

- 3 SEE WIRING DIAGRAM-AUTO FOR ADDITIONAL INFORMATION.
- 2 SEE MANUFACTURERS DIAGRAM FOR ADDITIONAL INFORMATION.
1. SPLICES ARE THEORETICAL AND MAY DIFFER IN THE HARNESS.

NOTES:

FIRST USED	05 F38J
TITLE	DO NOT SCALE DRAWING
TITLE	WIRING DIAGRAM-BODY, 12V
SHEET 7	PART NO 150383