



DANGER

Danger of electrical shock, burns or death. Always remove all power sources before attempting any repair, service or diagnostic work. Power can be present from shore power, generator, inverter or battery. All power sources must be disabled and secured before performing any service.

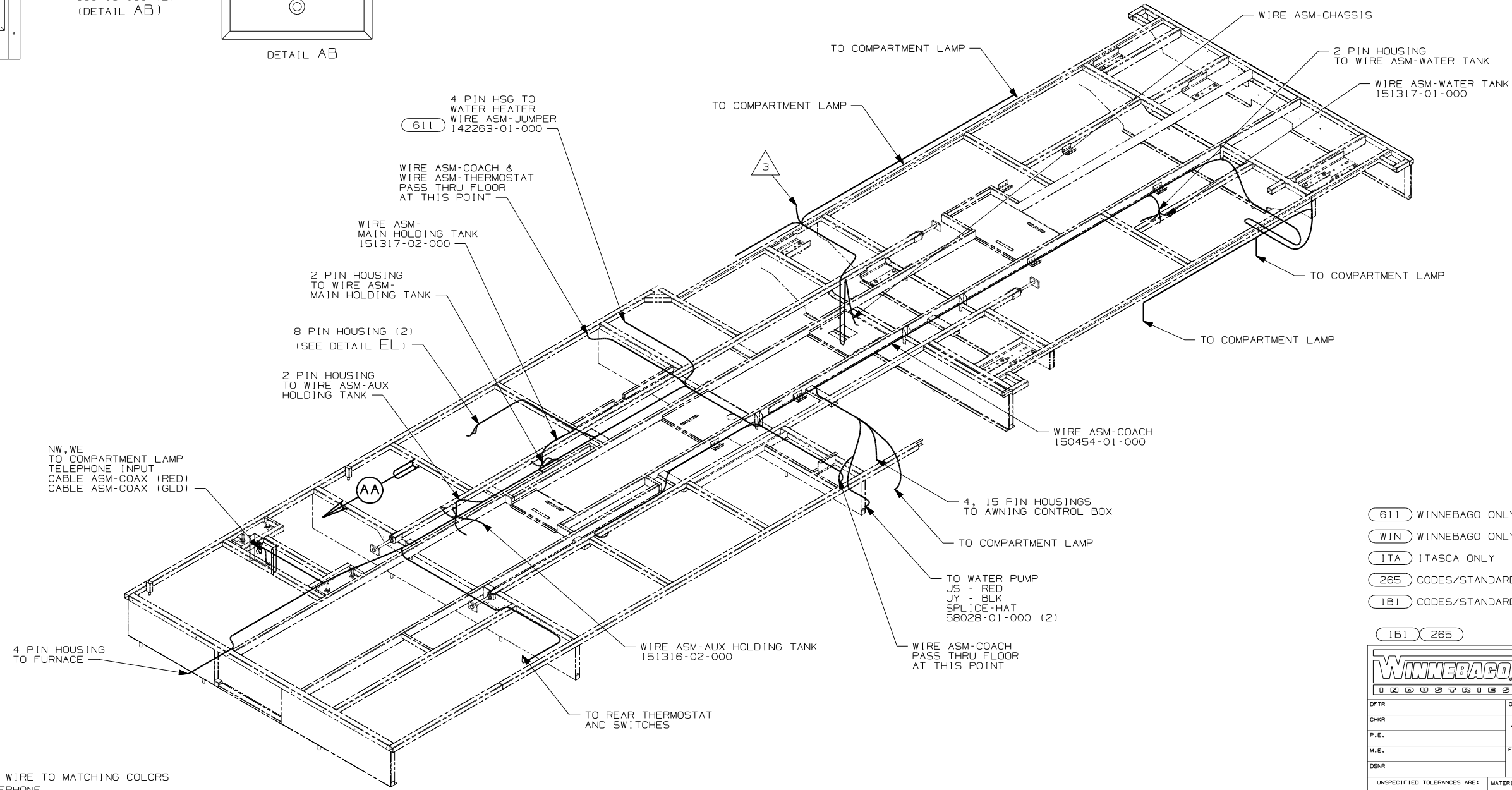
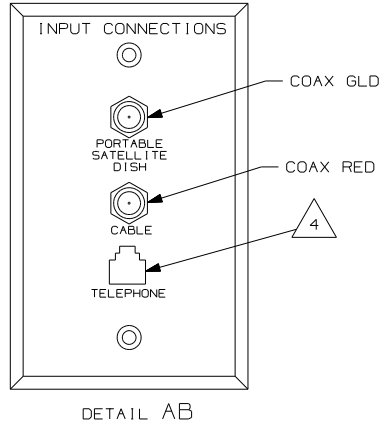
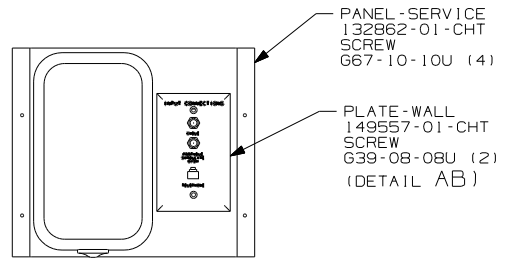


CAUTION

If you lack the skills, tools or equipment to perform diagnostic or repair work leave such work to an authorized Winnebago Industries dealer or other qualified shop.

DRAWING NO.	FEATURE
150381-01	(WIN)
150381-02	(ITA)

RELEASE	REV/DATE	DWG NO
A		150381
REV ZONE	REVISION RECORD	DATE DFR-ORIG



- NOTES:
1. ALL WIRES TO BE CLAMPED WITH CLAMP 10495-01-000 OR WIRE TIE 8343-02-000 EVERY 600MM, UNLESS OTHERWISE SPECIFIED.
 2. SEE WIRING DIAGRAM-BODY, 12V FOR ADDITIONAL INFORMATION.

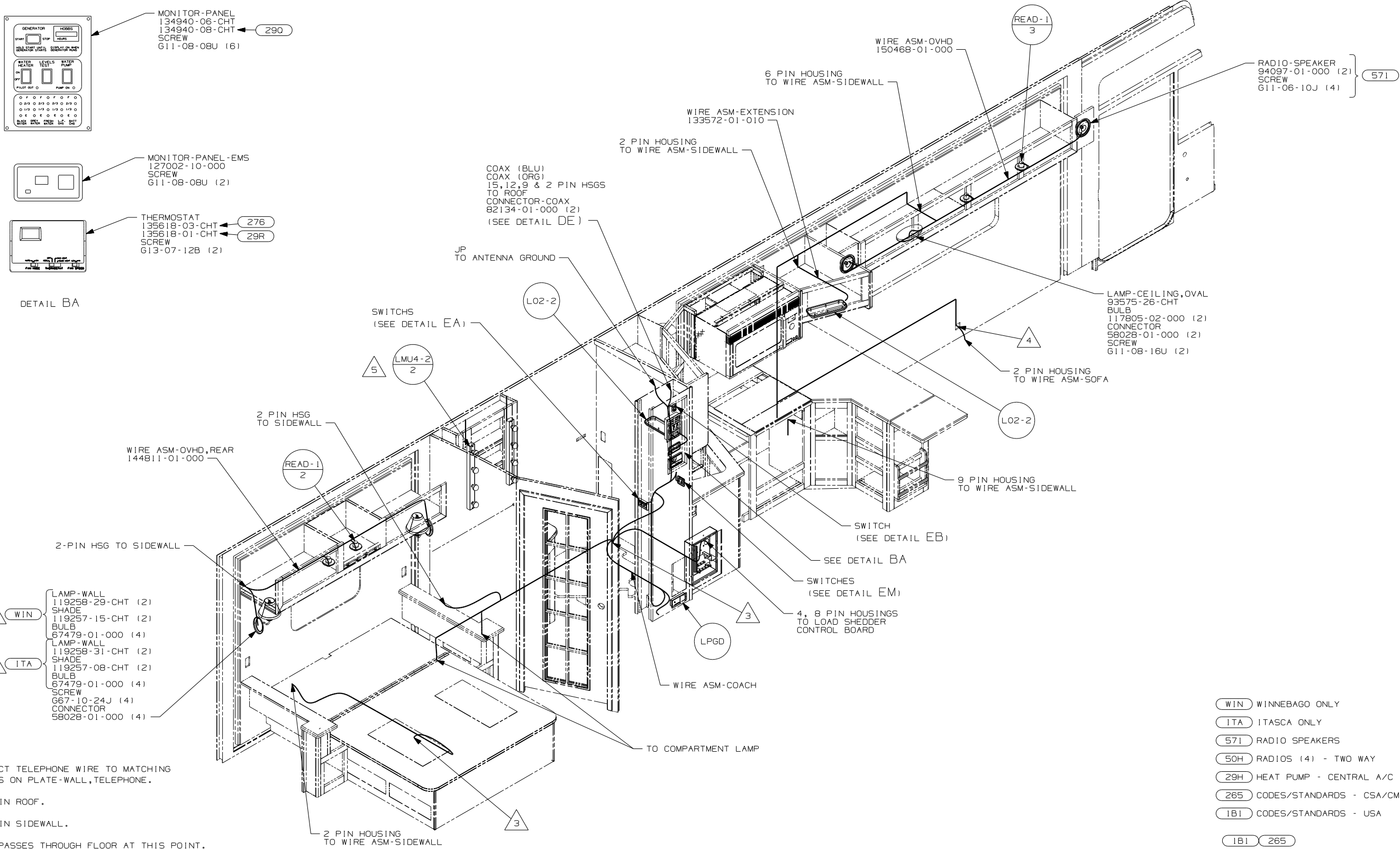
- (611) WINNEBAGO ONLY
- (WIN) WINNEBAGO ONLY
- (ITA) ITASCA ONLY
- (265) CODES/STANDARDS - CSA/CMVSS
- (1B1) CODES/STANDARDS - USA

WINNEBAGO		COPYRIGHT 2004 WINNEBAGO INDUSTRIES, INC.	
DFTR	ORIG. DATE	ALL DIMENSIONS ARE IN MILLIMETERS	
CHKR		05 F38J	
P.E.		THIRD ANGLE PROJECTION	
M.E.	FIRST USED	DO NOT SCALE DRAWING	
DSNR		TITLE: WIRING INSTL-BODY, 12V	
UNSPECIFIED TOLERANCES ARE:		MATERIAL:	
WHOLE DIM (X)	:		
ONE-PLACE (X.X)	:		
TWO-PLACE (X.XX)	:		
ANGLE	:		

FOR ELECTRICAL TORQUE SPECIFICATIONS SEE DWG NO. 128783-01-000

(X-X) FOR ELECTRICAL CALLOUTS SEE DWG NO. 121339-01-000

SHEET 1 OF 7	PART NO
	150381



- NOTES:
- ALL WIRES TO BE CLAMPED WITH CLAMP 10495-01-000 OR WIRE TIE 8343-02-000 EVERY 600MM, UNLESS OTHERWISE SPECIFIED.
 - SEE WIRING DIAGRAM-BODY, 12V FOR ADDITIONAL INFORMATION.

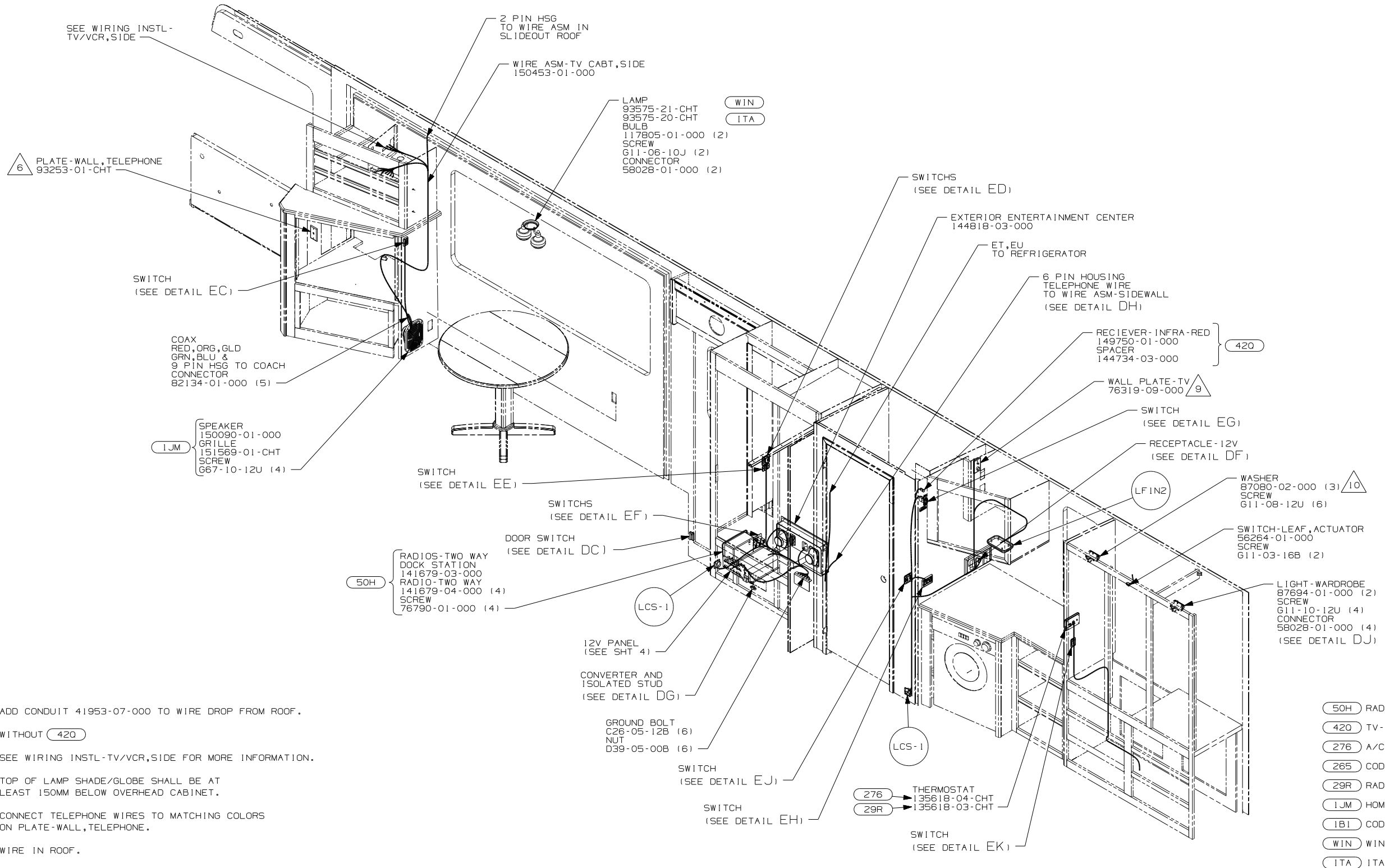
- 6 TOP OF LAMP SHADE/GLOBE TO BE NO LESS THAN 150mm BELOW BOTTOM OF CABINET.
- 7 WITHOUT 29H PLUG THE TWO PIN HOUSINGS TOGETHER ON WIRE ASM-THERMOSTAT.

- (WIN) WINNEBAGO ONLY
- (ITA) ITASCA ONLY
- (571) RADIO SPEAKERS
- (50H) RADIOS (4) - TWO WAY
- (29H) HEAT PUMP - CENTRAL A/C
- (265) CODES/STANDARDS - CSA/CMVSS
- (1B1) CODES/STANDARDS - USA

FOR ELECTRICAL TORQUE SPECIFICATIONS SEE DWG NO. 128783-01-000

(X-X) FOR ELECTRICAL CALLOUTS SEE DWG NO. 121339-01-000

FIRST USED	05 F38J
TITLE	DO NOT SCALE DRAWING
TITLE	WIRING INSTL-BODY, 12V
SHEET 2	PART NO 150381



- 10 ADD CONDUIT 41953-07-000 TO WIRE DROP FROM ROOF.
 - 9 WITHOUT 420
 - 8 SEE WIRING INSTL-TV/VCR,SIDE FOR MORE INFORMATION.
 - 7 TOP OF LAMP SHADE/GLOBE SHALL BE AT LEAST 150MM BELOW OVERHEAD CABINET.
 - 6 CONNECT TELEPHONE WIRES TO MATCHING COLORS ON PLATE-WALL,TELEPHONE.
 - 5 WIRE IN ROOF.
 - 4 WIRE IN SIDEWALL.
 - 3 WIRE PASSES THROUGH FLOOR AT THIS POINT.
2. SEE WIRING DIAGRAM-BODY,12V FOR ADDITIONAL INFORMATION.
1. ALL WIRES TO BE CLAMPED WITH CLAMP 10495-01-000 OR WIRE TIE 8343-02-000 EVERY 600MM, UNLESS OTHERWISE SPECIFIED.

- 50H RADIOS TWO-WAY (4)
- 420 TV-19" WITH REMOTE
- 276 A/C ROOF-HI EFF (2) W/EMS
- 265 CODES/STANDARDS - CSA/CMVSS
- 29R RADIOS TWO-WAY (4)
- 1JM HOME THEATER SOUND SYSTEM
- 1B1 CODES/STANDARDS - USA
- WIN WINNEBAGO ONLY
- ITA ITASCA ONLY

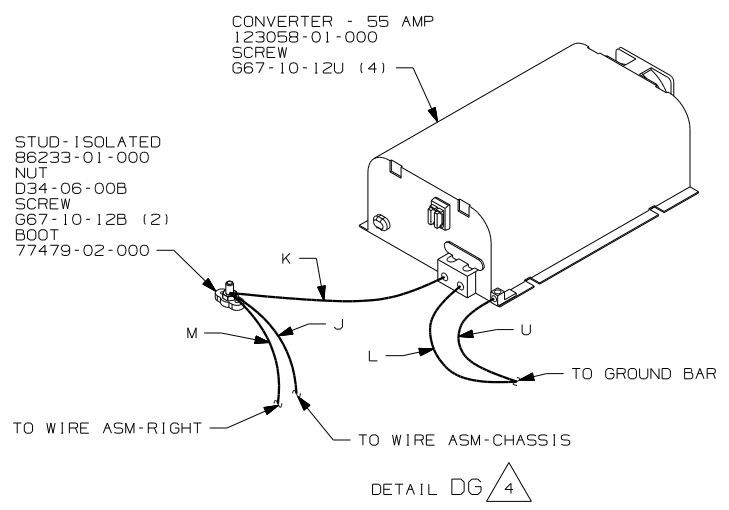
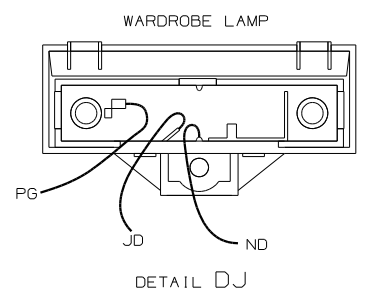
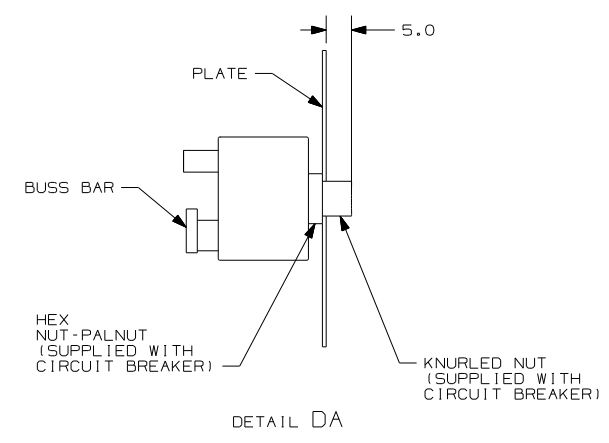
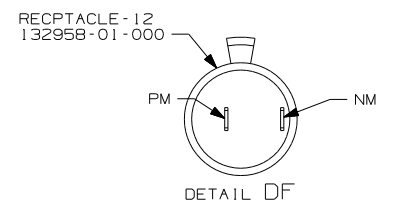
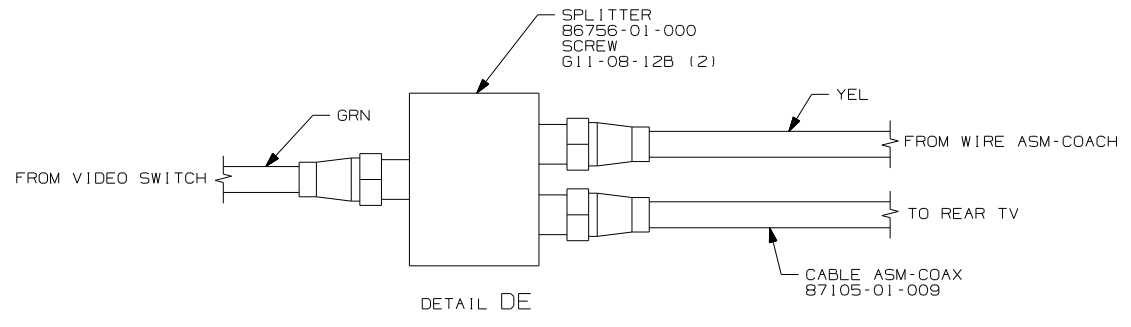
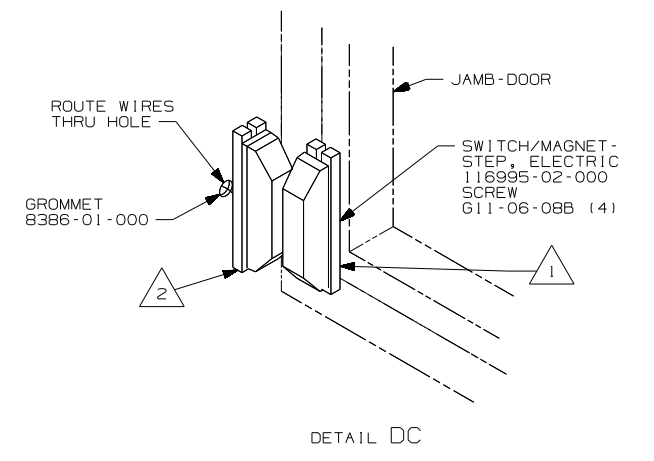
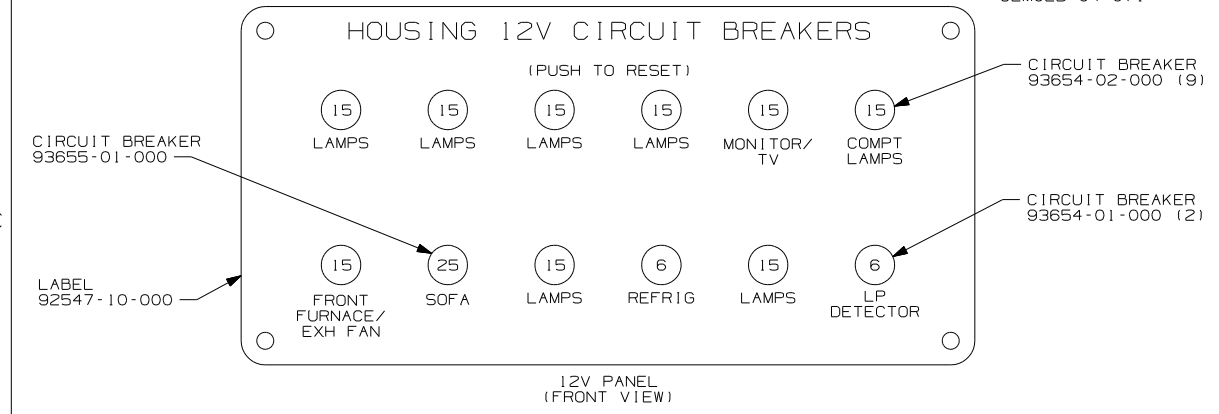
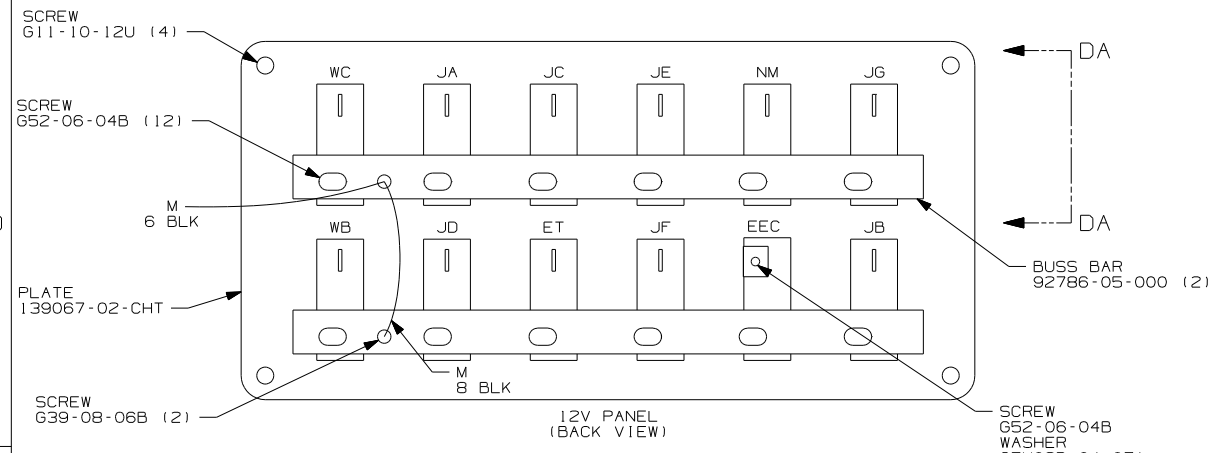
NOTES:

FOR ELECTRICAL TORQUE SPECIFICATIONS SEE DWG NO. 128783-01-000

X-X

FOR ELECTRICAL CALLOUTS SEE DWG NO. 121339-01-000

FIRST USED	05 F38J
TITLE	DO NOT SCALE DRAWING
	WIRING INSTL-BODY,12V
SHEET 3	PART NO 150381



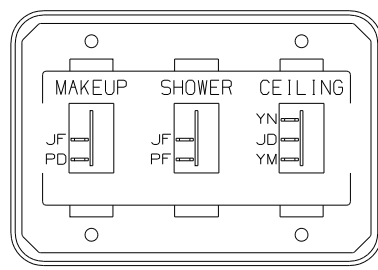
- NOTES:
- 4 FOR POSITIONING DIMENSIONS SEE WIRING INSTL-BODY, 110V SHT 4.
 - 3 WITHOUT (29H) PLUG THE TWO PIN HOUSINGS TOGETHER ON WIRE ASM-THERMOSTAT.
 - 2 MOUNT SWITCH AND SPACER TO BLOCK ON JAMB ADJUST HEIGHT TO MATCH MAGNET.
 - 1 MOUNT MAGNET USING PILOT HOLES IN SCREEN DOOR FRAME. MOUNT WITH MAGNET TOWARD SWITCH.

FOR ELECTRICAL TORQUE SPECIFICATIONS SEE DWG NO. 128783-01-000

(X-X) FOR ELECTRICAL CALLOUTS SEE DWG NO. 121339-01-000

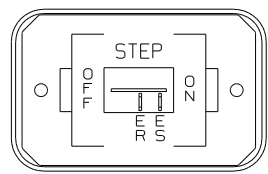
- (29H) HEAT PUMP - A/C CENTRAL
- (265) CODES/STANDARDS - CSA/CMVSS
- (1B1) CODES/STANDARDS - USA
- (1B1) (265)

FIRST USED	05 F38J
TITLE	DO NOT SCALE DRAWING
	WIRING INSTL-BODY, 12V
SHEET 4	PART NO 150381



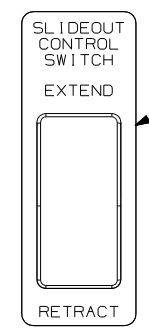
SWITCH-ROCKER
135740-01-CHT (2)
135740-02-CHT
SWITCH-BASE
135741-03-CHT
SWITCH-BEZEL
135742-28-CHT
SCREW
G11-08-08U (4)

DETAIL EA

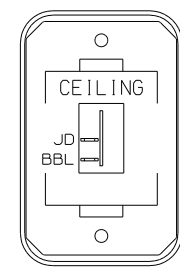


SWITCH-ROCKER
135740-01-CHT
SWITCH-BASE
135741-01-CHT
SWITCH-BEZEL
135742-11-CHT
SCREW
G11-08-08U (2)

DETAIL EE



SLIDEOUT CONTROL SWITCH
EXTEND
RETRACT
PLATE-SWITCH
144363-09-CHT
SWITCH
108357-06-000
ACTUATOR
108356-02-CHT
NUT
D65-08-00B (2)
LABEL
116220-01-000



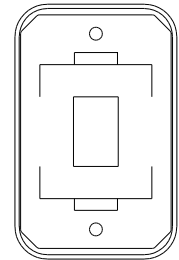
SWITCH-ROCKER
135740-01-CHT
SWITCH-BASE
135741-01-CHT
SWITCH-BEZEL
135742-07-CHT
SCREW
G11-08-08U (2)

DETAIL EK

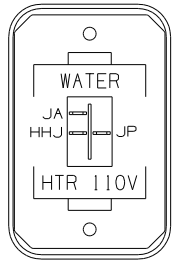
WARNING
UNDERSTAND OPERATOR'S MANUAL BEFORE USING
KEEP PEOPLE AND OBSTRUCTIONS CLEAR OF
SLIDEOUT ROOM WHEN OPERATING TO AVOID
INJURY AND/OR PROPERTY DAMAGE

DETAIL EG (FRONT VIEW) 3

SWITCH-BLANK
138253-01-CHT
SWITCH-BASE
135741-01-CHT
SWITCH-BEZEL
135742-01-CHT
SCREW
G11-08-08U (2)



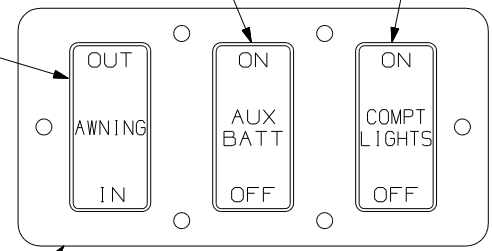
DETAIL EB 4



SWITCH-ROCKER
135740-06-CHT
SWITCH-BASE
135741-01-CHT
SWITCH-BEZEL
135742-35-CHT
SCREW
G11-08-08U (2)

DETAIL EB 1B2 OR 53D

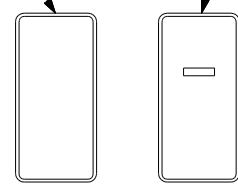
SWITCH-AWNING
108357-07-000
ACTUATOR
108356-12-CHT
FFR,FFP,FFN



DETAIL EF 52N 3

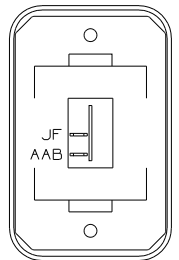
SWITCH-MASTER COMPT
108357-01-000
ACTUATOR-SWITCH
108356-14-CHT
WC,NW

SWITCH-SERVICE LAMP
108357-01-000
ACTUATOR
108356-02-CHT
JY,AG,JA,AF



DETAIL EL 3

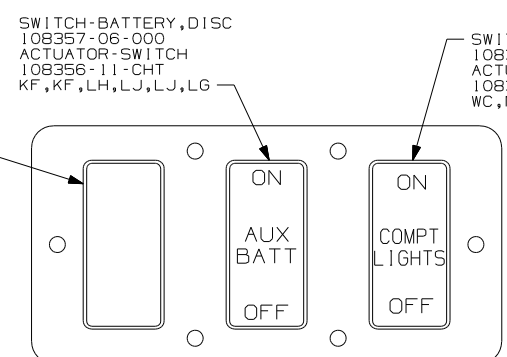
SWITCH-PUMP
108357-15-000
ACTUATOR-SWITCH
108356-04-CHT
WC,WA



SWITCH-ROCKER
135740-01-CHT
SWITCH-BASE
135741-01-CHT
SWITCH-BEZEL
135742-01-CHT
SCREW
G11-08-08U (2)

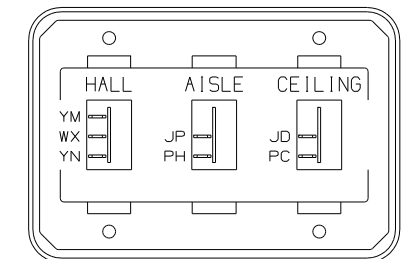
DETAIL EC

PLATE-SWITCH
98351-23-CHT
SCREW
G11-06-10U (6)



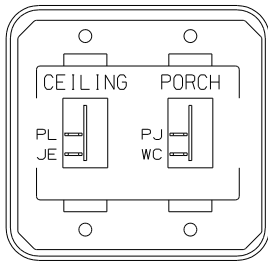
DETAIL EF 2 3

SWITCH-MASTER COMPT
108357-01-000
ACTUATOR-SWITCH
108356-14-CHT
WC,NW



DETAIL EH

SWITCH-ROCKER
135740-01-CHT (2)
135740-02-CHT
SWITCH-BASE
135741-03-CHT
SWITCH-BEZEL
135742-25-CHT
SCREW
G11-08-08U (4)

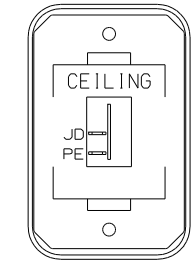


SWITCH-ROCKER
135740-01-CHT (2)
SWITCH-BASE
135741-02-CHT
SWITCH-BEZEL
135742-19-CHT
SCREW
G11-08-08U (4)

DETAIL ED

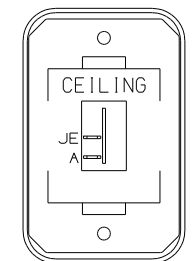
SWITCH-BLANK
145754-01-CHT

PLATE-SWITCH
98351-23-CHT
SCREW
G11-06-10U (6)



SWITCH-ROCKER
135740-01-CHT
SWITCH-BASE
135741-01-CHT
SWITCH-BEZEL
135742-07-CHT
SCREW
G11-08-08U (2)

DETAIL EJ



SWITCH-ROCKER
135740-01-CHT
SWITCH-BASE
135741-01-CHT
SWITCH-BEZEL
135742-07-CHT
SCREW
G11-08-08U (2)

DETAIL EM

- 53D WTR HTR-6GAL/ELE/LP/MOTORAID
- 1B2 WTR HTR-10GAL/ELEC/LP/MTRAIID
- WIN WINNEBAGO ONLY
- ITA ITASCA ONLY
- 52N AWNING - PATIO, ELECTRIC
- 256 CODES/STANDARDS - CSA/CMVSS
- 1B1 CODES/STANDARDS - USA

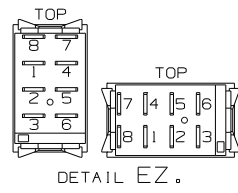
4 WITHOUT 1B2 OR 53D.

3 FOR SWITCH ORIENTATION SEE DETAIL EZ.

2 WITHOUT 52N.

1. SWITCHES ARE TO BE INSTALLED AS SHOWN ON THIS DRAWING.

NOTES:

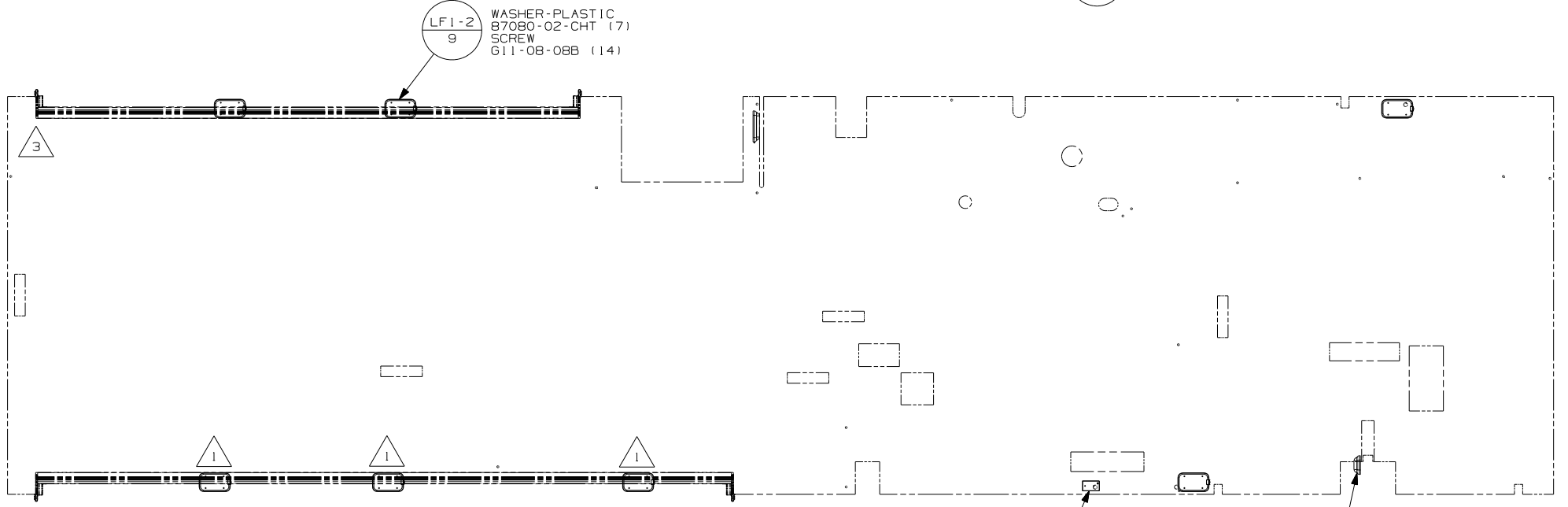
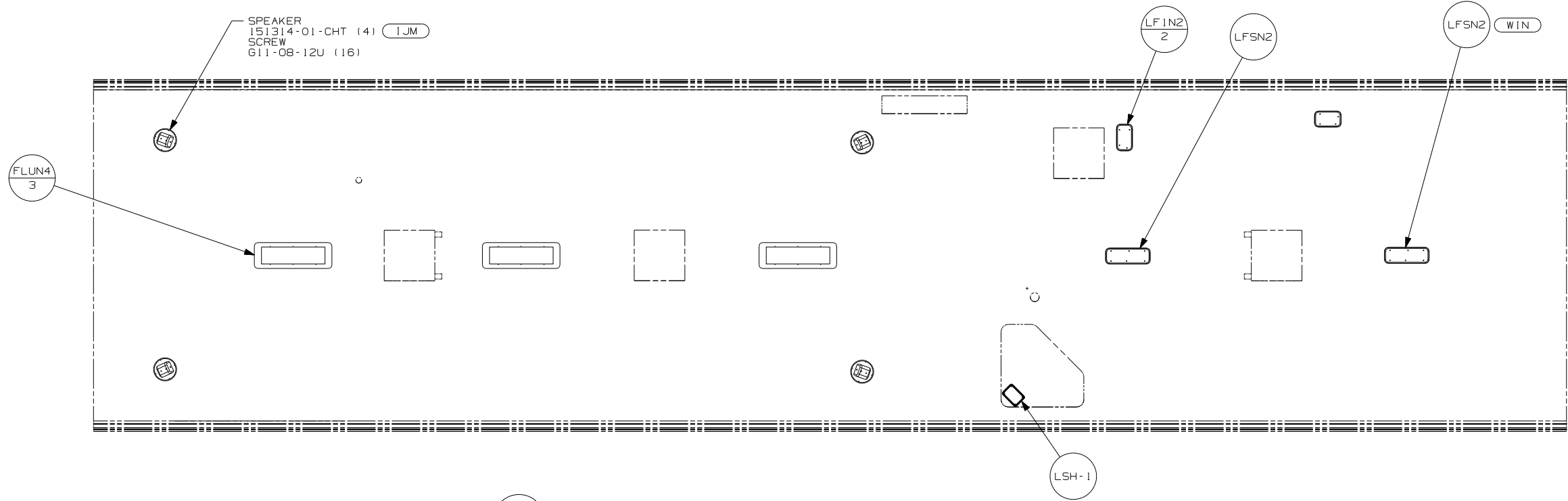


DETAIL EZ.

FOR ELECTRICAL TORQUE SPECIFICATIONS SEE DWG NO. 128783-01-000

FOR ELECTRICAL CALLOUTS SEE DWG NO. 121339-01-000

FIRST USED	05 F38J
TITLE	DO NOT SCALE DRAWING
	WIRING INSTL-BODY, 12V
SHEET 5	PART NO 150381



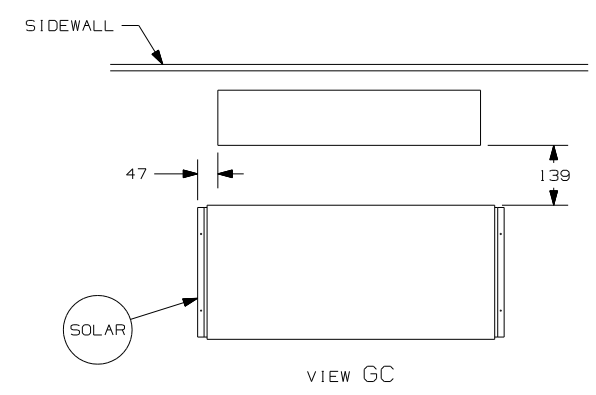
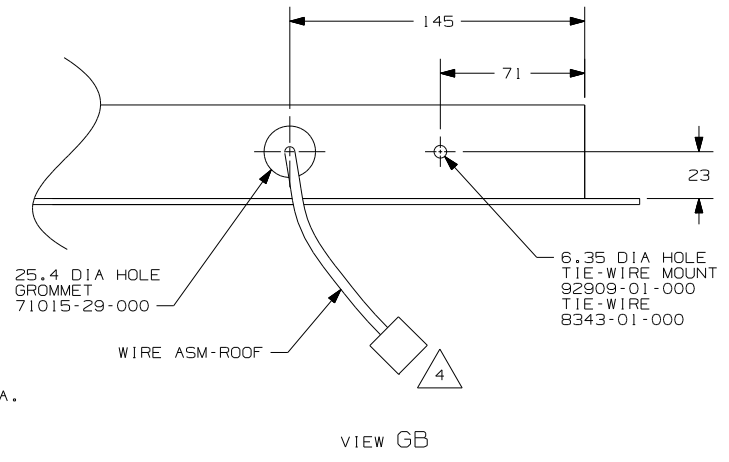
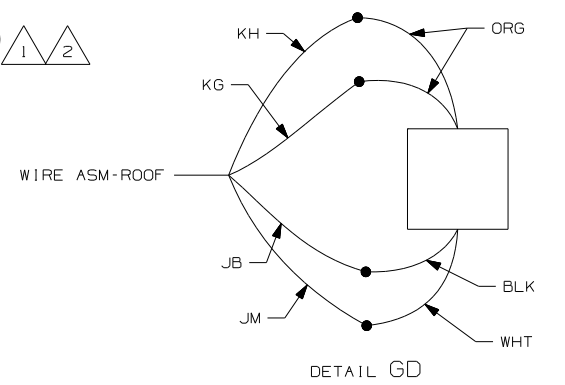
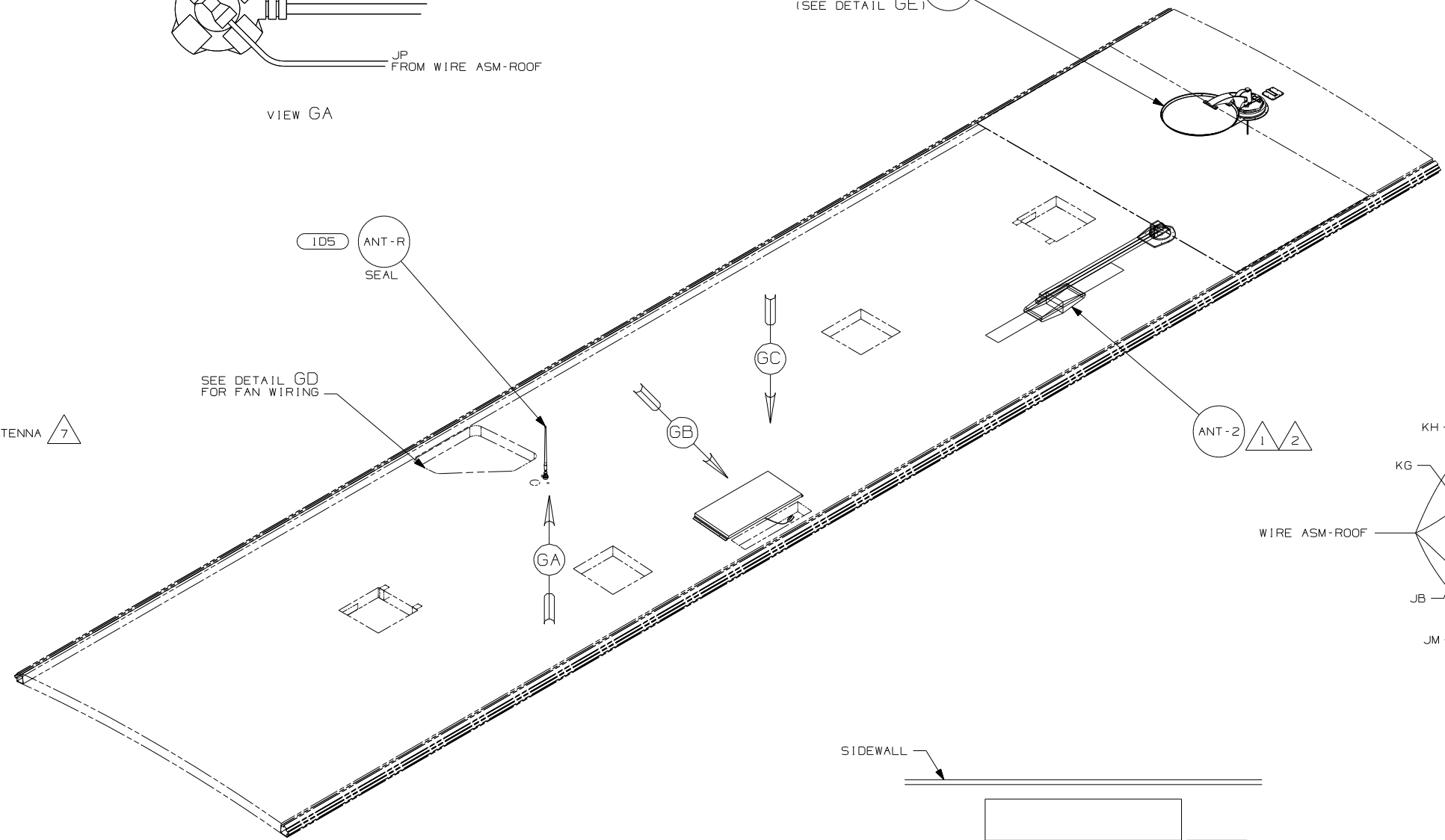
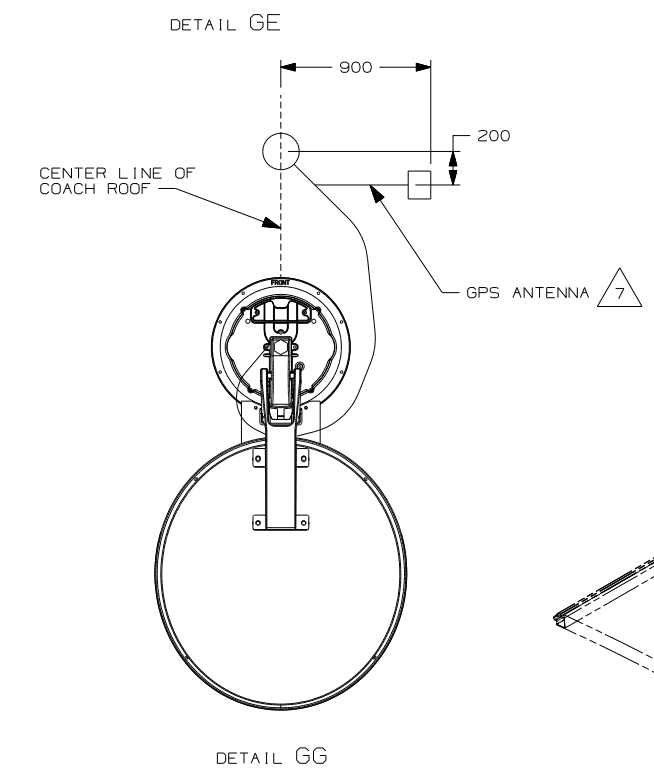
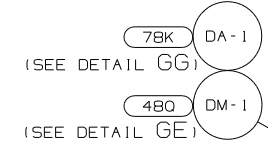
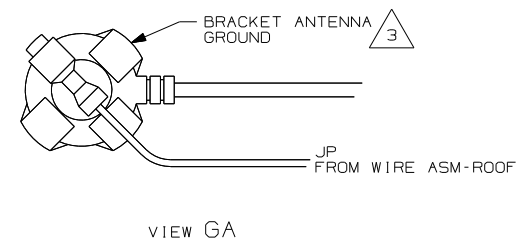
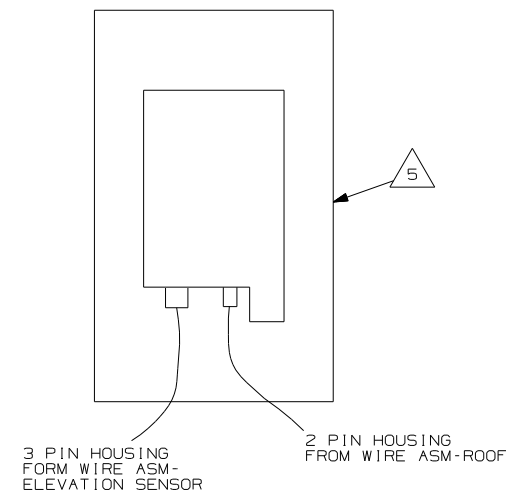
- NOTES:
- △ 4 LAMP LOCATED IN POWER CORD COMPARTMENT.
 - △ 3 LAMP LOCATED IN WATER HEATER COMPARTMENT.
 - △ 2 LAMP LOCATED IN SERVICE COMPARTMENT.
 - △ 1 LAMPS LOCATED IN SLIDEOUT COMPARTMENTS.

- (WIN) WINNEBAGO ONLY
- (ITA) ITASCA ONLY
- (4BV) LIGHTS - FLUORESCENT
- (4BM) LIGHTS - INCANDESCENT
- (265) CODES/STANDARDS - CSA/CMVSS
- (IJM) HOME THEATER SOUND SYSTEM
- (IB1) CODES/STANDARDS - USA
- (IB1) (265) (48M) (48V)

FOR ELECTRICAL TORQUE SPECIFICATIONS SEE DWG NO. 128783-01-000

(X-X) FOR ELECTRICAL CALLOUTS SEE DWG NO. 121339-01-000

FIRST USED	05 F38J
TITLE	DO NOT SCALE DRAWING
	WIRING INSTL-BODY, 12V
SHEET 6	PART NO 150381



- NOTES:
- 7 MOUNT GPS ANTENNA TO THE RIGHT OF THE SATELLITE AS SHOWN. SECURE CABLE WITH ROOF SEALANT.
 - 6 MOUNT GPS ANTENNA AS FAR TO THE REAR OF THE SATELLITE AS POSSIBLE. SECURE CABLE WITH ROOF SEALANT.
 - 5 SENSOR SUPPLIED WITH SATELLITE ASSEMBLY.
 - 4 FASTEN TO VENT.
 - 3 WRAP BRACKET LEGS AROUND ANTENNA BASE.
 - 2 ADD RUBBER BUMPERS TO ROOF UNDER EACH END OF ANTENNA TO PREVENT CONTACT WITH THE ROOF.
 - 1 SEE DWG 76319-01-000 FOR INSTALLATION OF TV ANTENNA.

- 78K SATELLITE DISH-AUTOMATIC
- 48R SAT SYS IN-MOTION W/O RCVR
- 480 SATELLITE DISH & ELEV.SENSOR
- 265 CODES/STANDARDS-CSA/CMVSS
- ID5 ENTERTAINMENT CENTR/EXT W/CD
- 1B1 CODES STANDARDS-USA

FOR ELECTRICAL TORQUE SPECIFICATIONS SEE DWG NO. 128783-01-000

FOR ELECTRICAL CALLOUTS SEE DWG NO. 121339-01-000

FIRST USED	05 F38J
DO NOT SCALE DRAWING	
TITLE	WIRING INSTL-BODY, 12V
SHEET 7	PART NO 150381