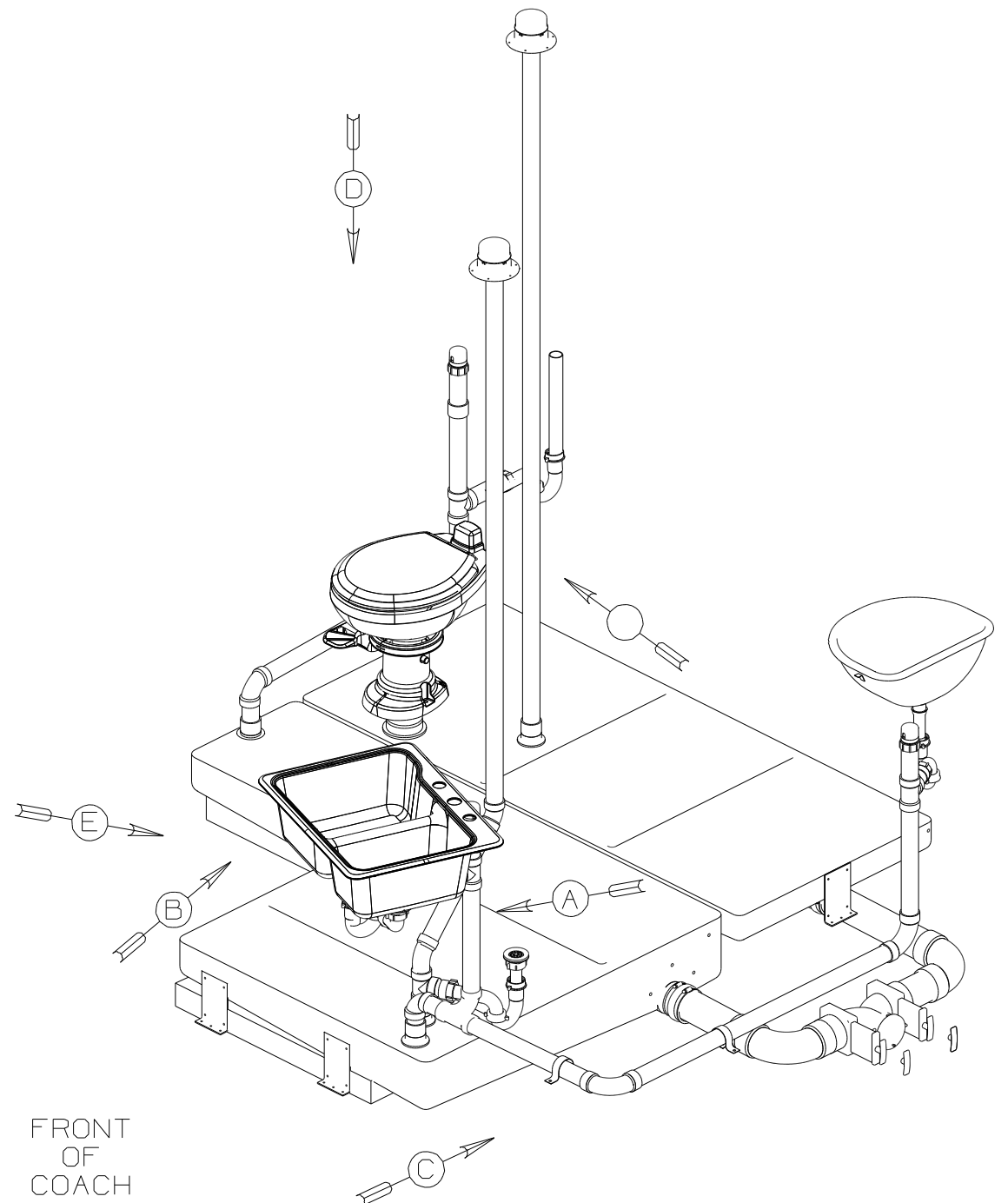


DWG NO	--
149724-01	(WIN)
149724-02	(ITA)

RELEASE	REV DATE	DWG NO
A		149724
REV ZONE	REVISION RECORD	DATE
		DFTR-ORIG

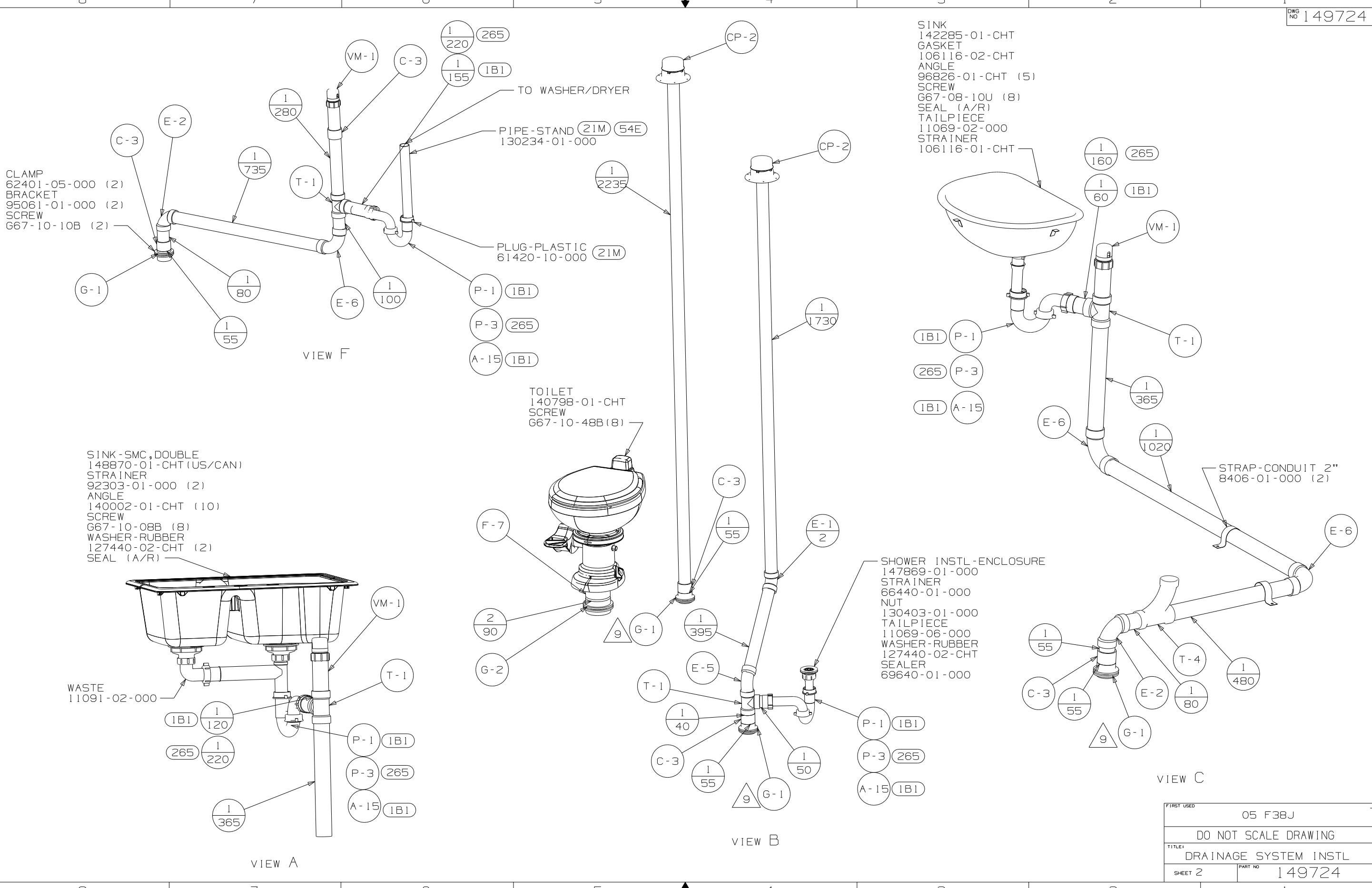


9. SECURE PIPES TO FLOOR USING BRACKET 136878-01-CHT (3) CLAMP 62401-02-000 (3) AND SCREW G67-10-12B (3).
8. SECURE PIPES TO CABINET USING WIRE TIE 108046-02-000 AND SCREW G67-10-12U (8).
7. SEE DWG 61607-01-000 FOR INSTL OF GROMMET.
6. VENT PIPE MUST PROJECT 51 MIN AND 64 MAX ABOVE ROOF FOR PROPER FIT AND FUNCTION.
5. SEAL AROUND SHOWER WITH SILICONE.
4. ALL EXTERIOR OPENINGS AROUND PIPE TO BE SEALED WITH 110744-01-000.
3. ALL PIPE AND FITTINGS TO BE ASSEMBLED WITH SOLVENT 4020-01-000.
2. SLOPE OF TRAP ARM MUST BE 6 PER 305 mm.
1. SLOPE OF HORIZONTAL PIPING TO BE MIN 3 PER 305 mm.

- (WIN) WINNEBAGO ONLY
- (ITA) ITASCA ONLY
- (IB1) CODES/STANDARDS USA
- (265) CODES/STDS-CSA/CMVSS

WINNEBAGO		COPYRIGHT 2004 WINNEBAGO INDUSTRIES, INC.	
DFTR	ORIG. DATE	ALL DIMENSIONS ARE IN MILLIMETERS	
CHKR		FIRST USED	
P.E.		05 F38J	
M.E.		UNSPECIFIED TOLERANCES ARE:	
DSNR		MATERIAL:	
		WHOLE DIM (X) :	5
		ONE-PLACE (X.X) :	
		TWO-PLACE (X.XX) :	
		ANGLE :	
THIRD ANGLE PROJECTION		DO NOT SCALE DRAWING	
TITLE: DRAINAGE SYSTEM INSTL			
SHEET 1 OF 3		PART NO 149724	

(X-X)
FOR
DRAINAGE
CALLOUTS
SEE DWG NO
116229-01-000



CLAMP
62401-05-000 (2)
BRACKET
95061-01-000 (2)
SCREW
G67-10-10B (2)

SINK
142285-01-CHT
GASKET
106116-02-CHT
ANGLE
96826-01-CHT (5)
SCREW
G67-08-10U (8)
SEAL (A/R)
TAILPIECE
11069-02-000
STRAINER
106116-01-CHT

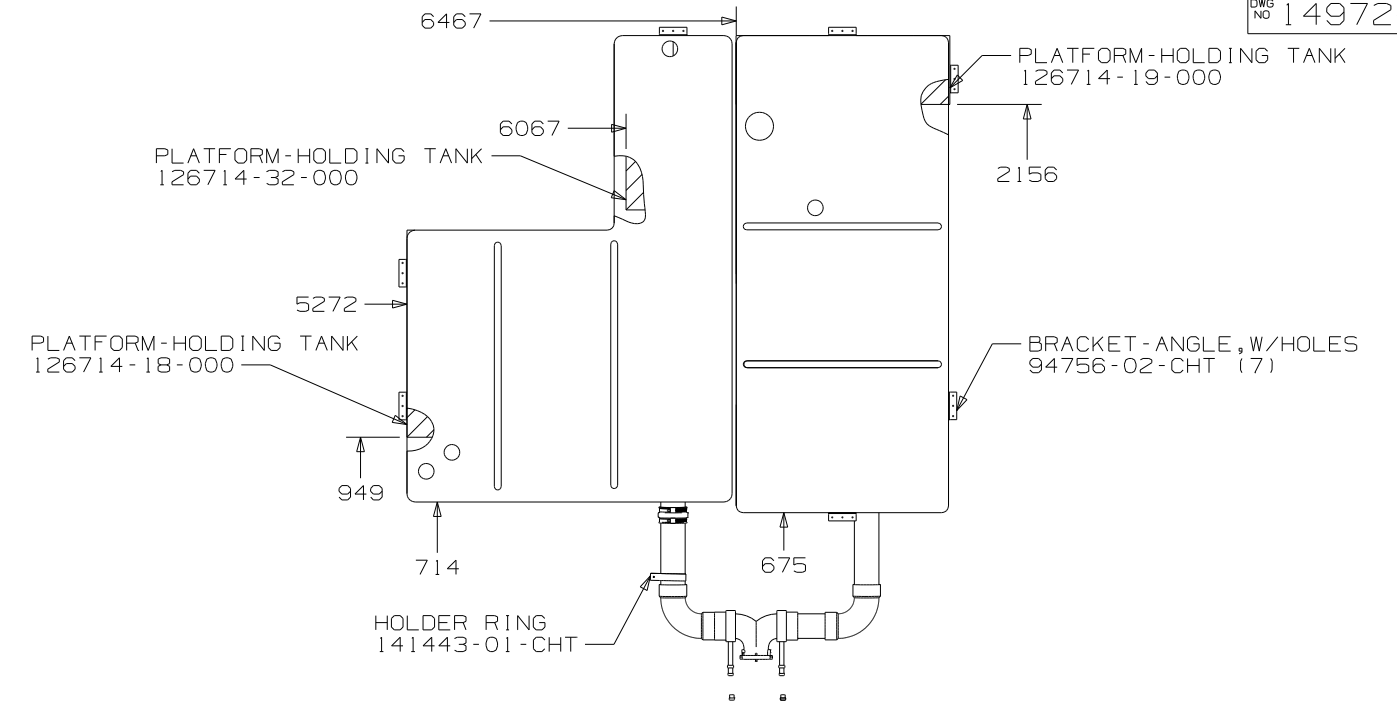
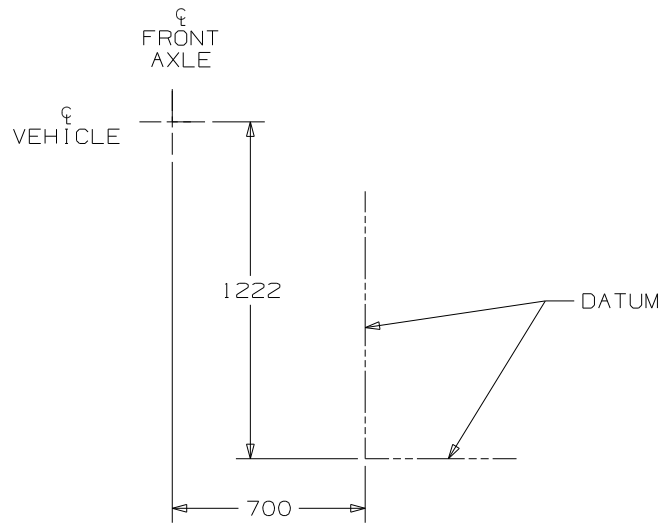
SINK - SMC, DOUBLE
148870-01-CHT (US/CAN)
STRAINER
92303-01-000 (2)
ANGLE
140002-01-CHT (10)
SCREW
G67-10-08B (8)
WASHER-RUBBER
127440-02-CHT (2)
SEAL (A/R)

TOILET
140798-01-CHT
SCREW
G67-10-48B (8)

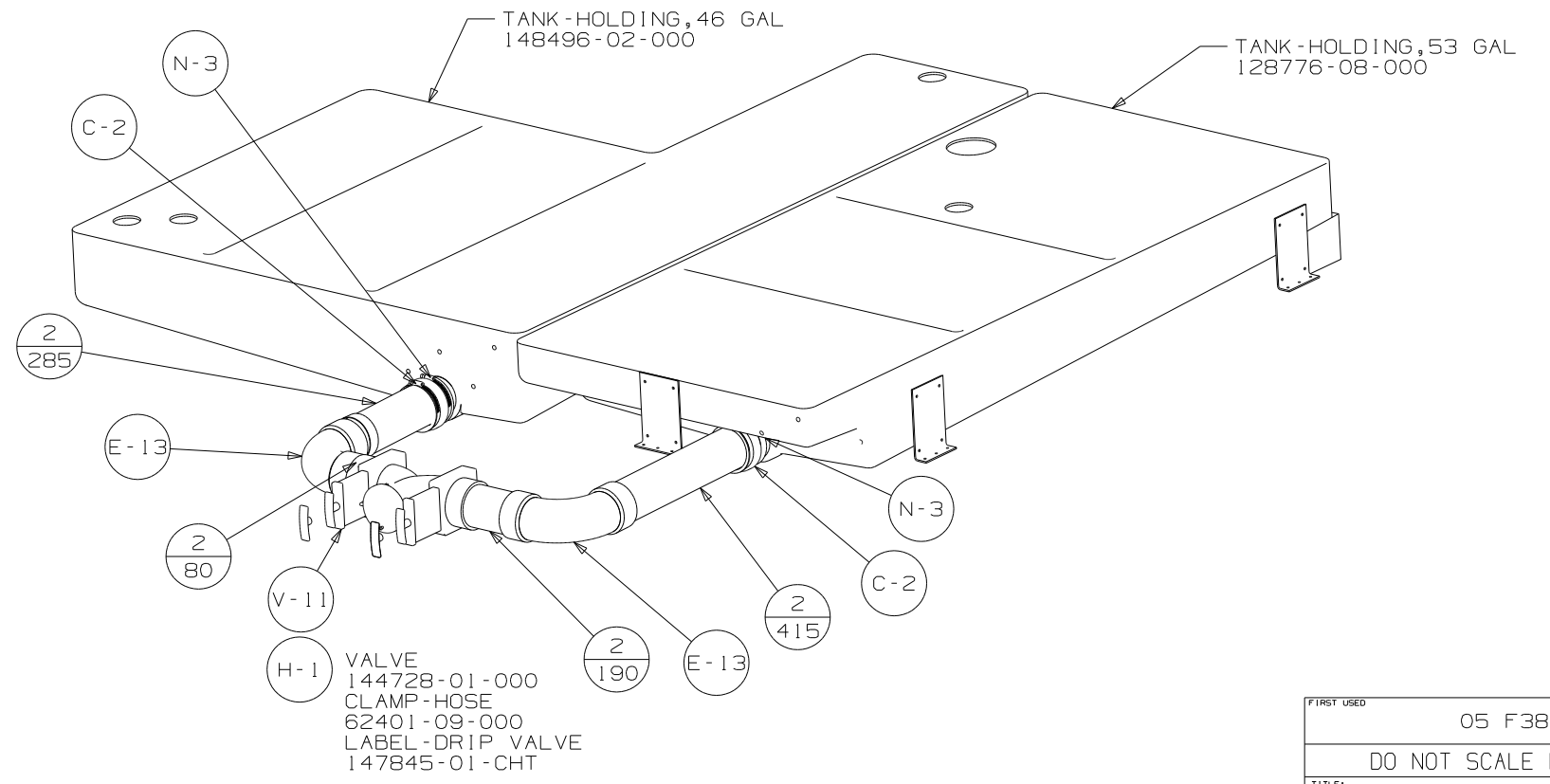
SHOWER INSTL - ENCLOSURE
147869-01-000
STRAINER
66440-01-000
NUT
130403-01-000
TAILPIECE
11069-06-000
WASHER-RUBBER
127440-02-CHT
SEALER
69640-01-000

STRAP-CONDUIT 2"
8406-01-000 (2)

FIRST USED	05 F38J
DO NOT SCALE DRAWING	
TITLE	DRAINAGE SYSTEM INSTL
SHEET 2	PART NO 149724
1 1/11/2005	



VIEW D

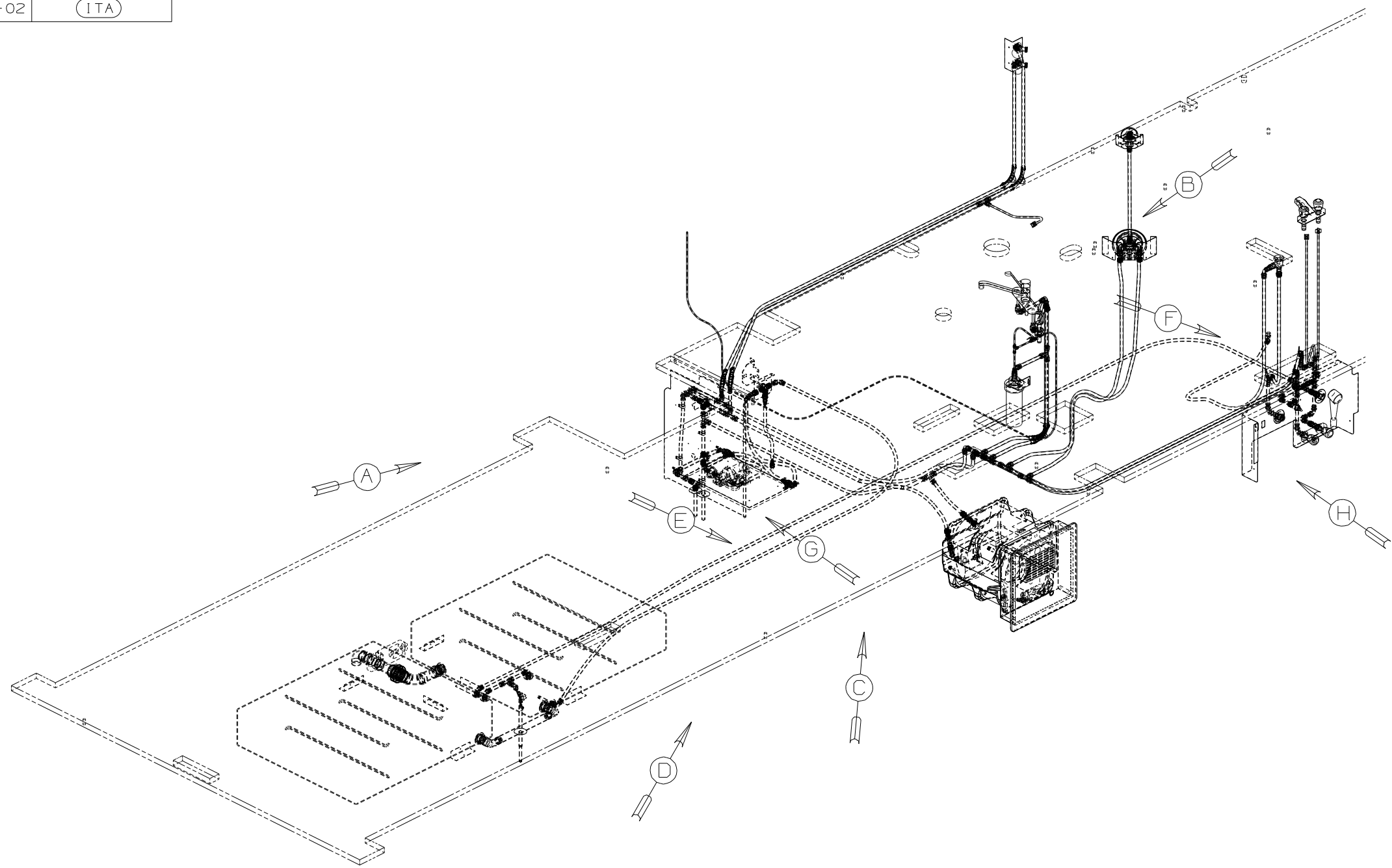


VIEW E

FIRST USED	05 F38J
TITLE	DO NOT SCALE DRAWING
	DRAINAGE SYSTEM INSTL
SHEET 3	PART NO 149724

DWG NO	--
149718-01	(WIN)
149718-02	(ITA)

RELEASE	REV DATE	DWG NO
A		149718
REV ZONE	REVISION RECORD	DATE DFR-ORIG

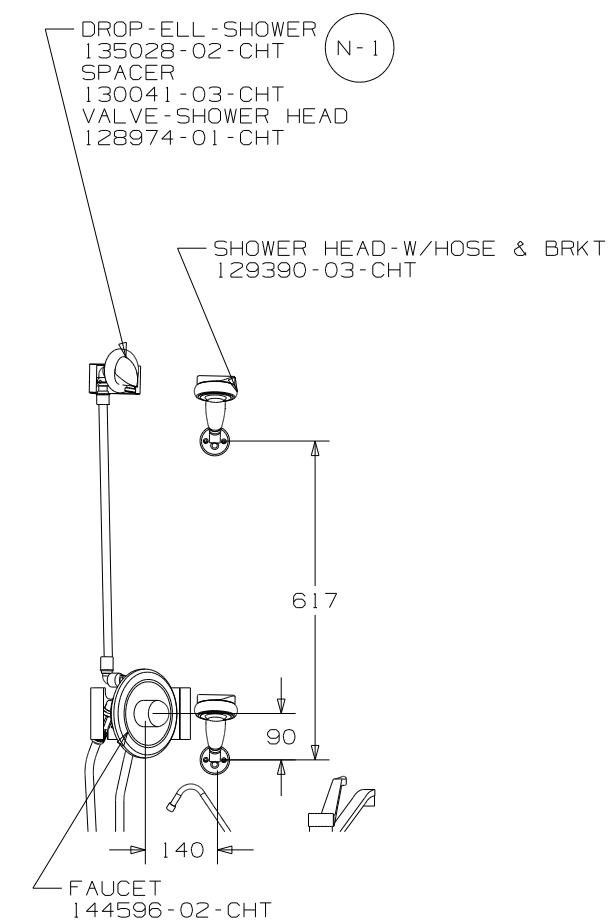
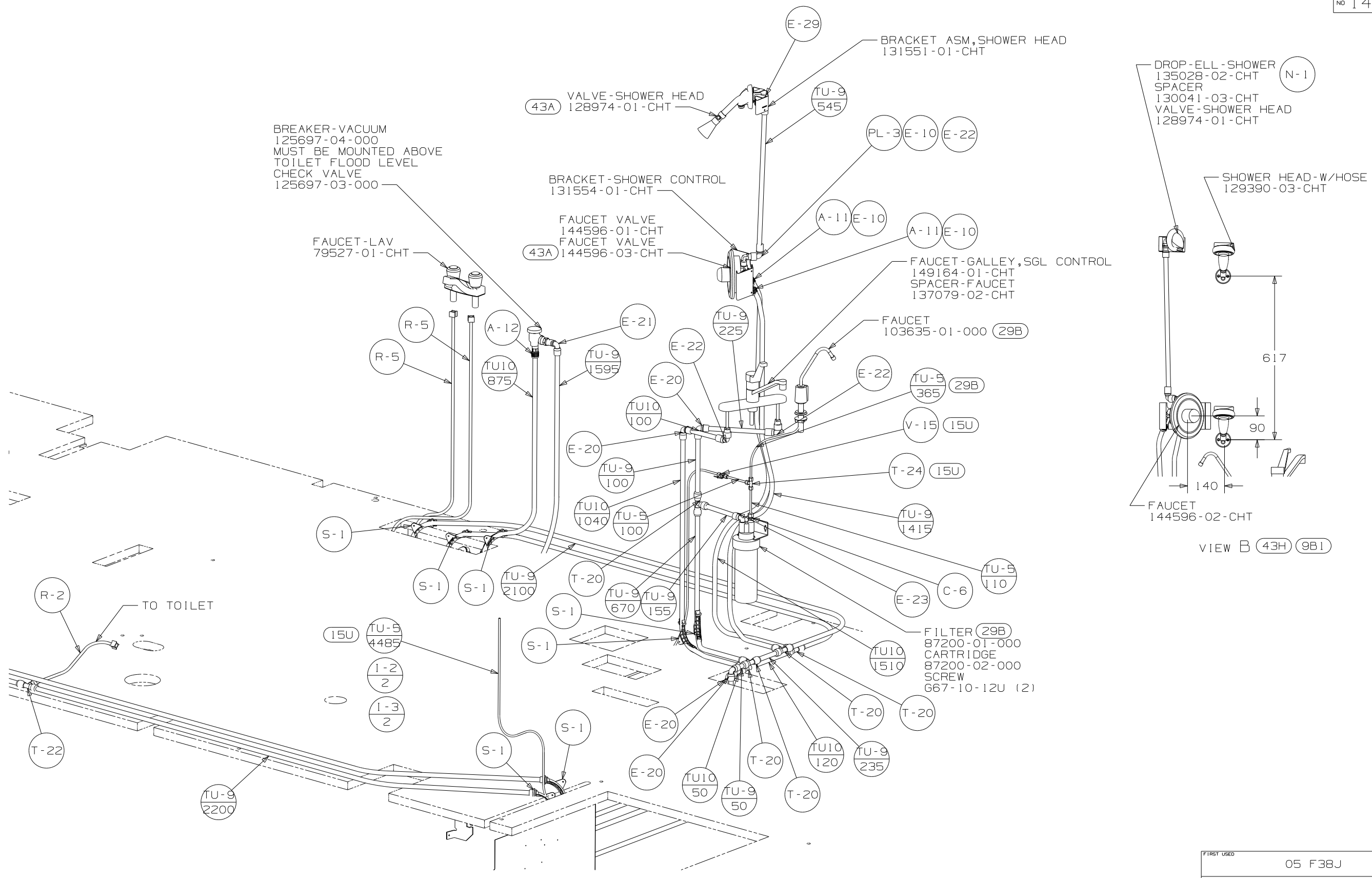


- (53D) WTR HTR-6 GAL/ELEC/LP/MTR AID
- (1B2) WTR HTR-10 GAL/ELEC/LP/MTR AID
- (611) WTR HTR-AUX AUTO/MOTORAID
- (29B) WATER PURIFIER
- (WIN) WINNEBAGO ONLY
- (ITA) ITASCA ONLY
- (43H) SHOWER HEAD-HAND HELD
- (43A) SHOWER HEAD-FIXED
- (54E) WASHER/DRYER
- (54M) WASHER/DRYER PREP
- (15U) REFRIGERATOR/FRZR W/ICEMAKER

- NOTES:
- 6 ADD TEFLON TAPE 10405-01-000.
 - 5 ADD TEFLON TAPE 10405-02-000.
 - 4 FLUSHING SYSTEM REQUIRES 125697-06-000 INSTRUCTION SHEET.
 - 3. ALL TUBING TO BE SECURED AT 1200 INTERVALS MAXIMUM WITH CLAMP 10495-01-000 OR CLIP 9151-01-000 AND SCREW 667-10-12B.
 - 2. TUBING TO BE INSTALLED WITH SUFFICIENT SLOPE TO PROVIDE DRAINAGE TO NEAREST VALVE.
 - 1. PLASTIC FITTINGS TO BE SEALED WITH SEALANT 84456-01-000.

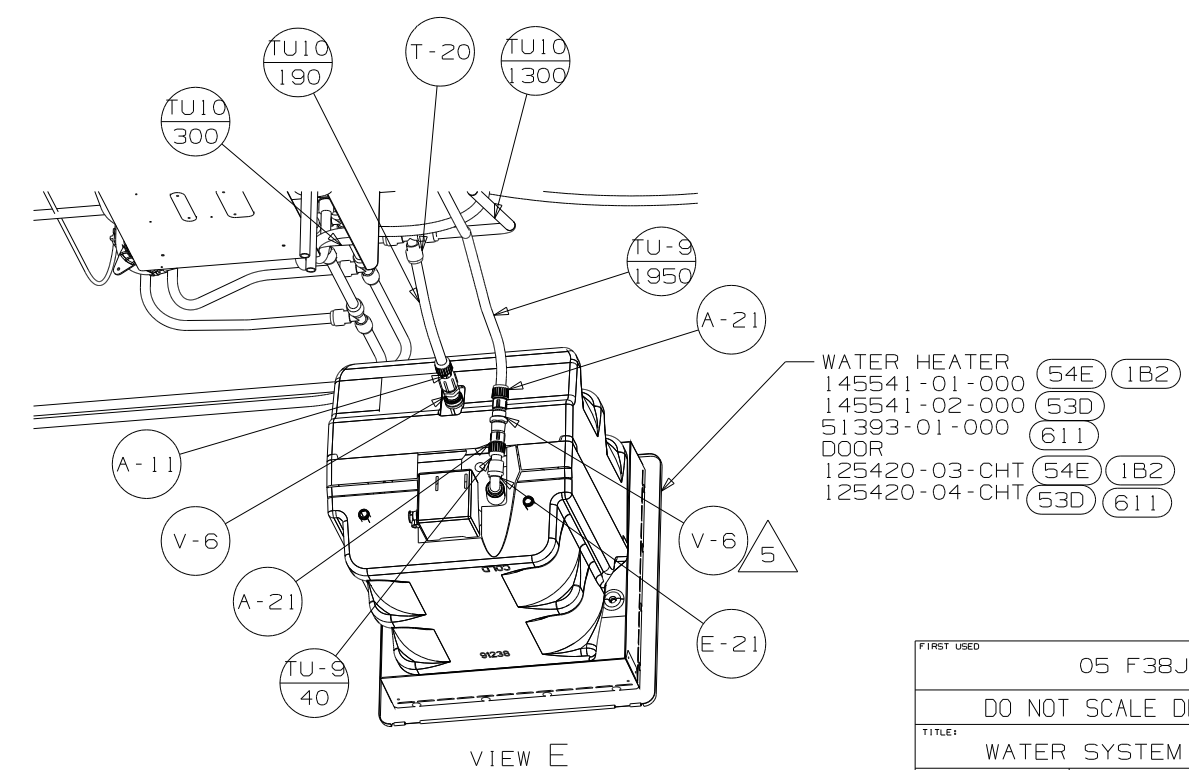
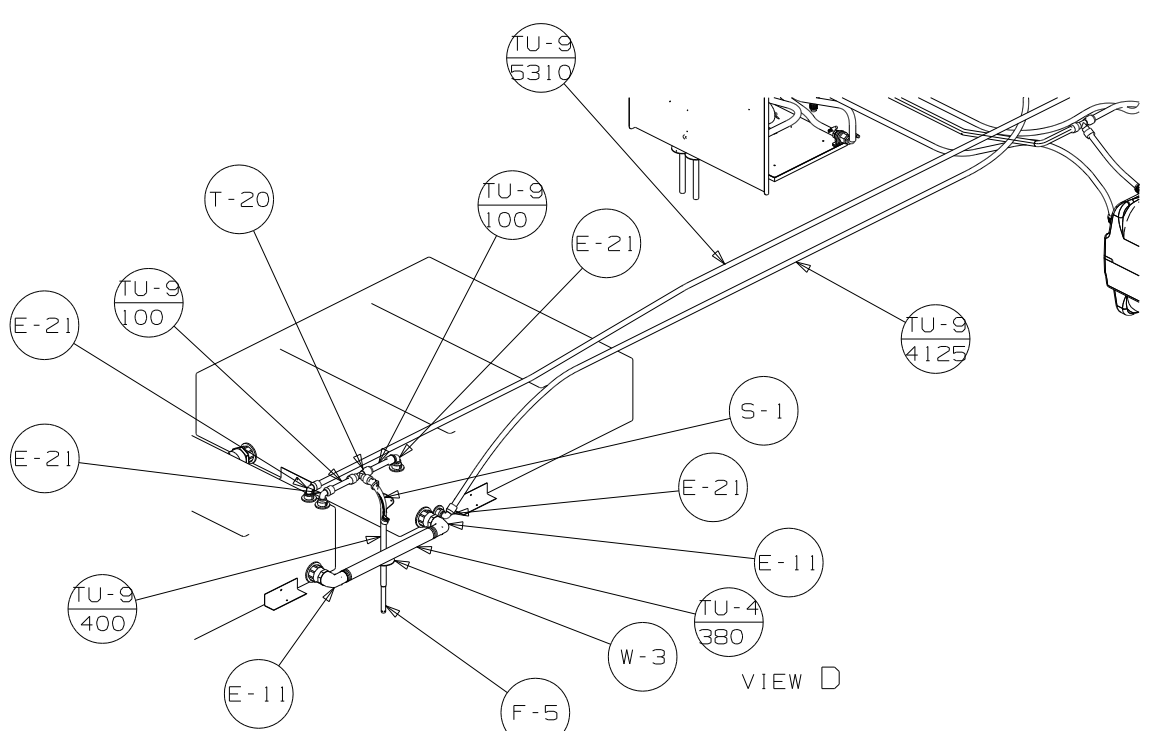
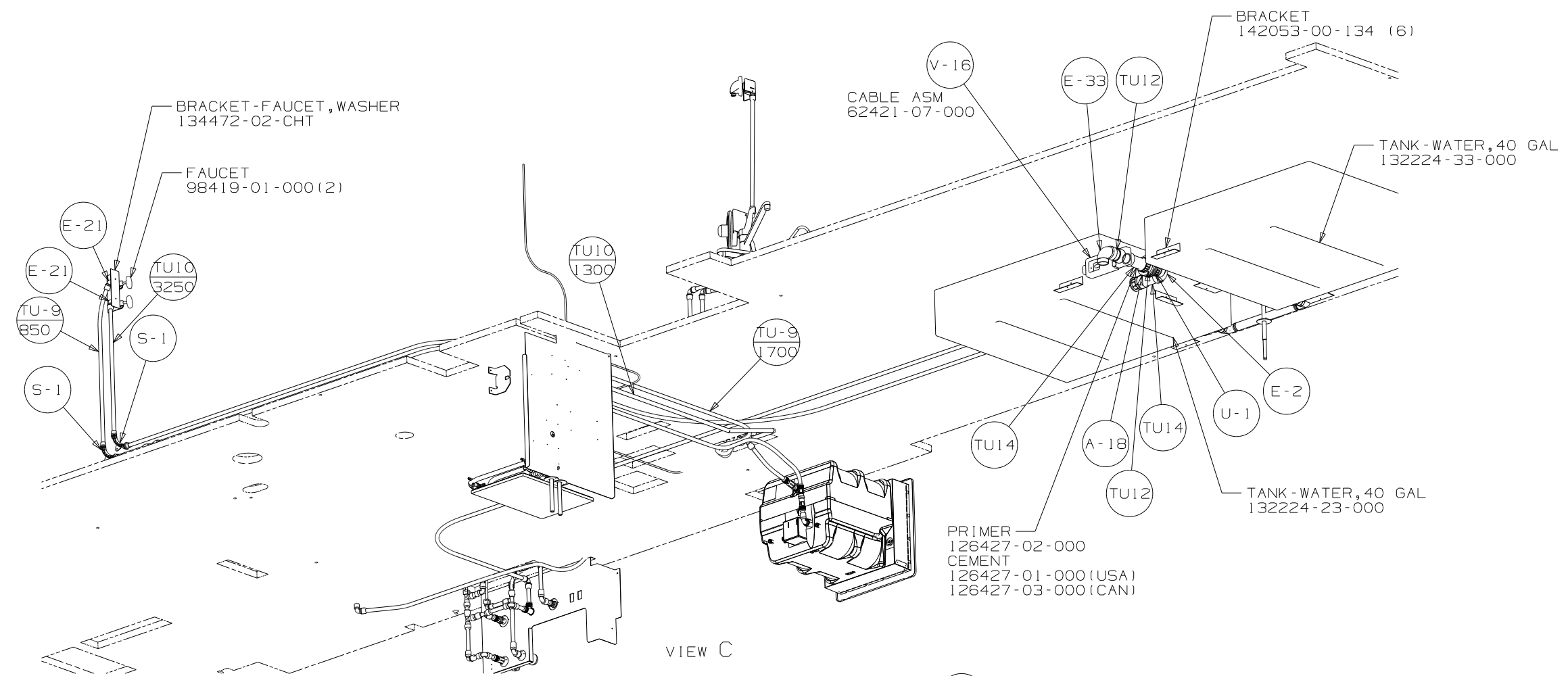
(X-X)
FOR WATER CALLOUTS SEE DWG NO 116230-01-000

WINNEBAGO		COPYRIGHT 2004 WINNEBAGO INDUSTRIES, INC.	
DFTR	ORIG. DATE	ALL DIMENSIONS ARE IN MILLIMETERS	
CHKR		FIRST USED	
P.E.		05 F38J	
M.E.		UNSPECIFIED TOLERANCES ARE:	
DSNR		MATERIAL:	
		WHOLE DIM (X)	: 3
		ONE-PLACE (X.X)	:
		TWO-PLACE (X.XX)	:
		ANGLE	:
THIRD ANGLE PROJECTION		DO NOT SCALE DRAWING	
TITLE: WATER SYSTEM INSTL			
SHEET 1 OF 4		PART NO 149718	

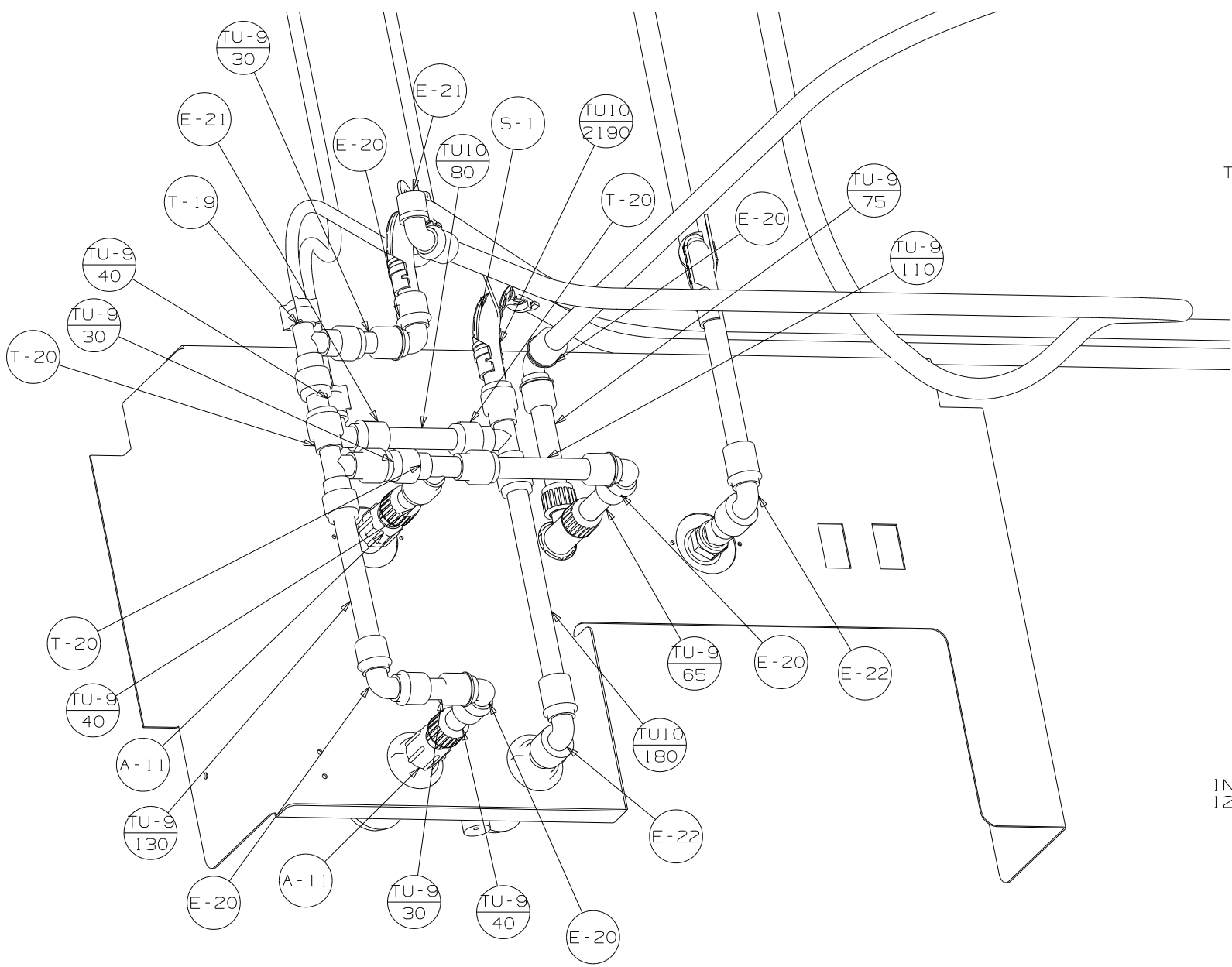


VIEW A

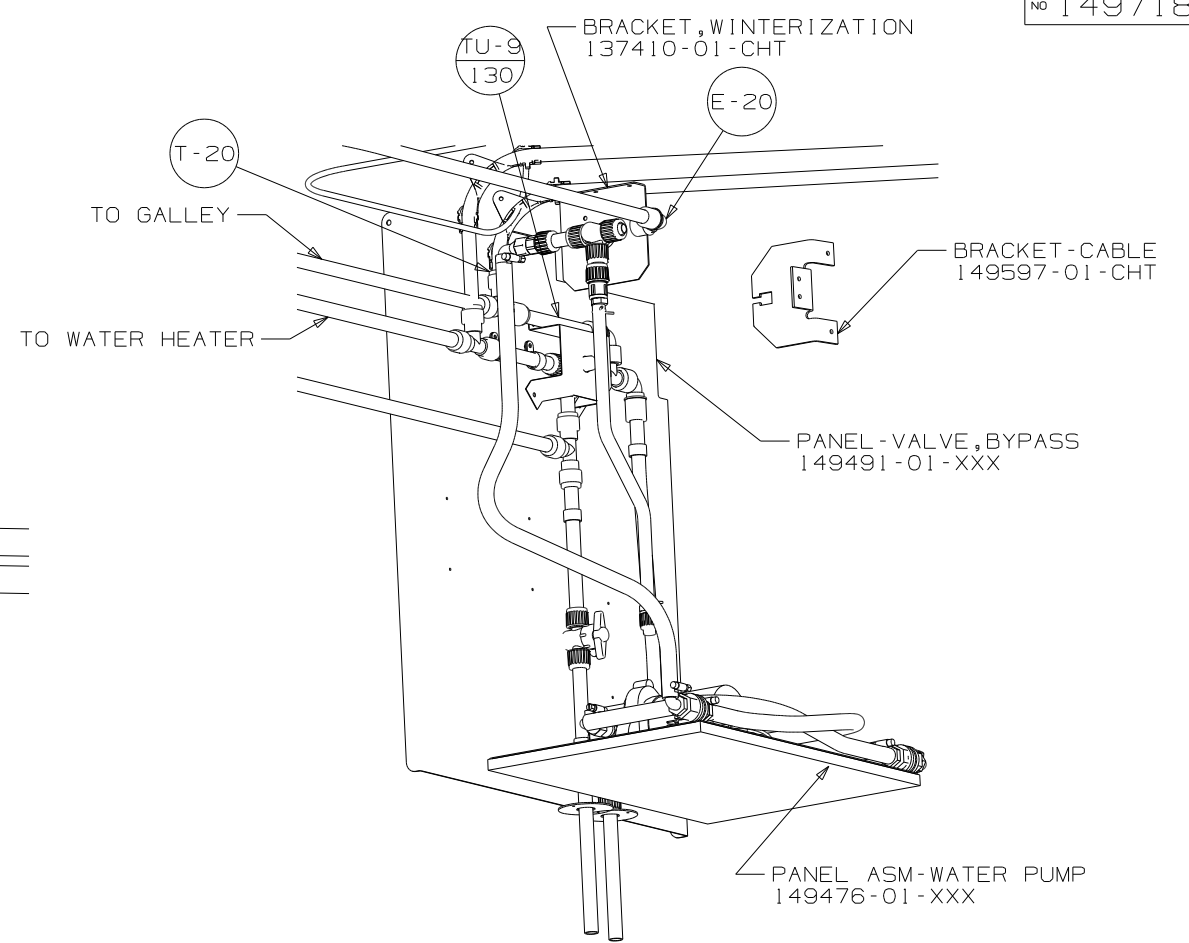
FIRST USED	05 F38J
TITLE	DO NOT SCALE DRAWING
TITLE	WATER SYSTEM INSTL
SHEET 2	PART NO 149718



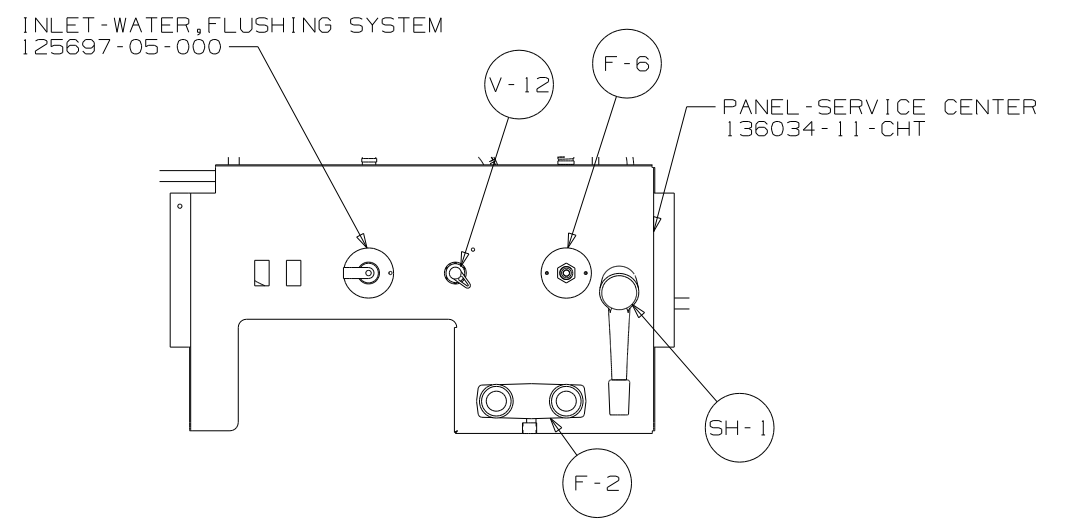
FIRST USED	05 F38J	
TITLE	DO NOT SCALE DRAWING	
TITLE	WATER SYSTEM INSTL	
SHEET 3	PART NO	149718



VIEW F



VIEW G



VIEW H

FIRST USED	05 F38J
TITLE	DO NOT SCALE DRAWING
	WATER SYSTEM INSTL
SHEET 4	PART NO 149718