



DANGER

Danger of electrical shock, burns or death. Always remove all power sources before attempting any repair, service or diagnostic work. Power can be present from shore power, generator, inverter or battery. All power sources must be disabled and secured before performing any service.

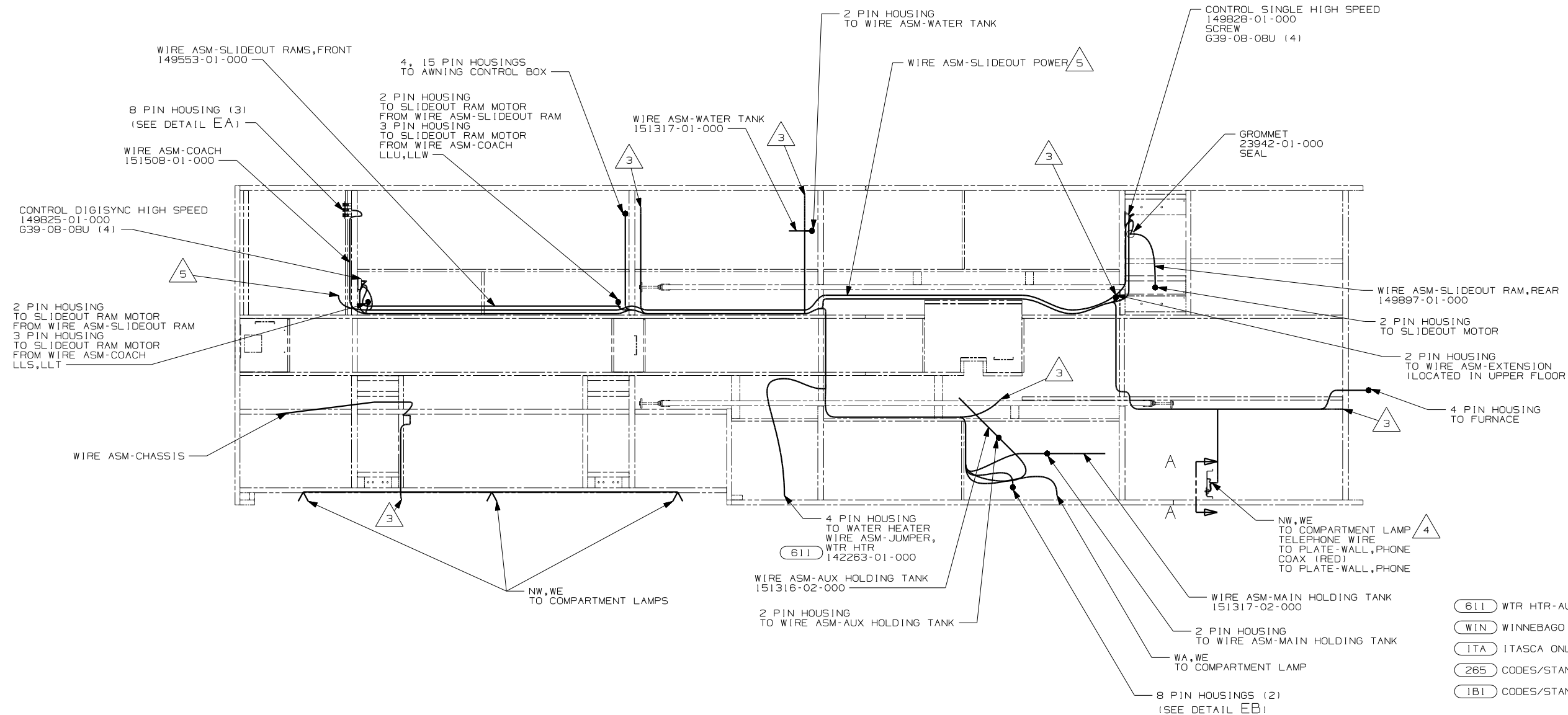


CAUTION

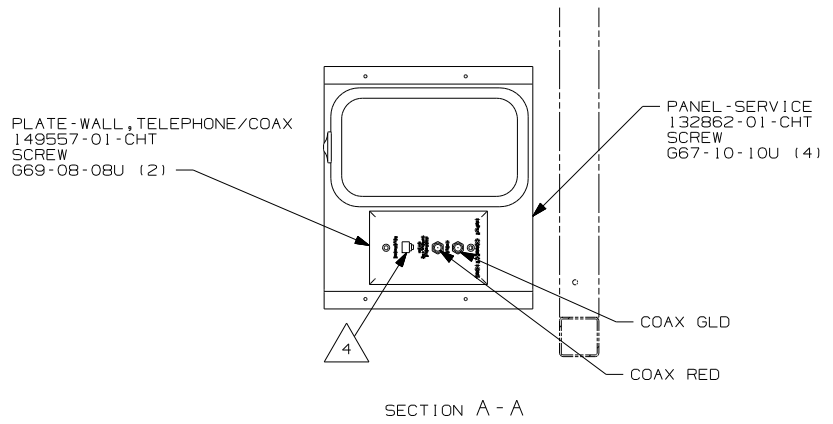
If you lack the skills, tools or equipment to perform diagnostic or repair work leave such work to an authorized Winnebago Industries dealer or other qualified shop.

DRAWING NO.	FEATURE
148481-01	(WIN)
148481-02	(ITA)

RELEASE	REV DATE	DWG NO
A		148481
REV ZONE	REVISION RECORD	DATE DFR-ORIG



- 5 SEE CHASSIS ELECTRICAL BOX-ASM FOR ADDITIONAL INFORMATION.
- 4 CONNECT TELEPHONE WIRE TO MATCHING COLORS ON PLATE-WALL, TELEPHONE.
- 3 WIRE PASSES THROUGH FLOOR AT THIS POINT.
2. SEE WIRING DIAGRAM-BODY, 12V FOR ADDITIONAL INFORMATION.
1. ALL WIRES TO BE CLAMPED WITH CLAMP 10495-01-000 OR WIRE TIE 8343-02-000 EVERY 600MM, UNLESS OTHERWISE SPECIFIED.

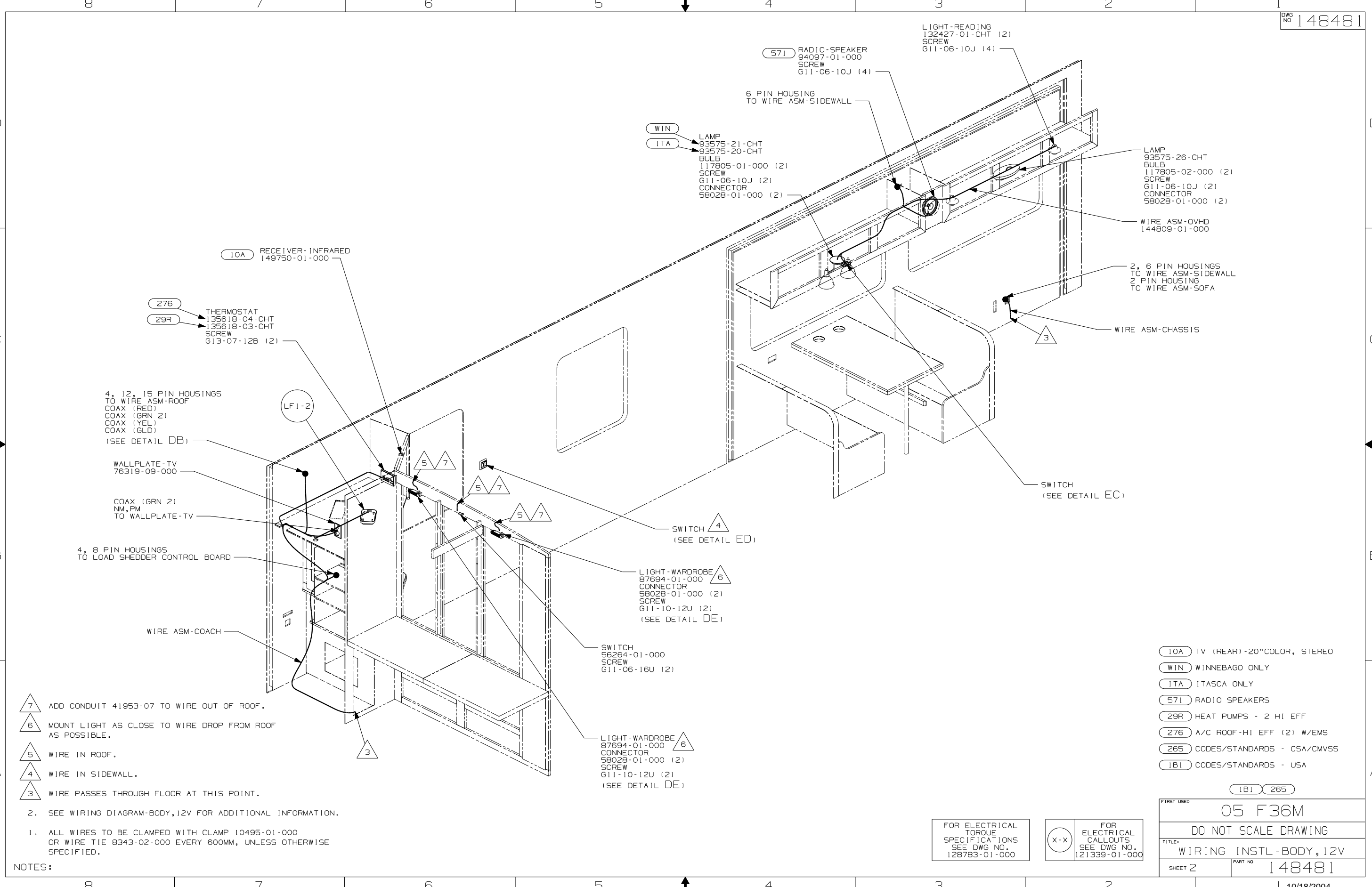


- (611) WTR HTR-AUX AUTO/MOTORAID
- (WIN) WINNEBAGO ONLY
- (ITA) ITASCA ONLY
- (265) CODES/STANDARDS - CSA/CMVSS
- (IB1) CODES/STANDARDS - USA
- (IB1) (265)

		COPYRIGHT 2004 WINNEBAGO INDUSTRIES, INC.
DFTR	ORIG. DATE	
CHKR		ALL DIMENSIONS ARE IN MILLIMETERS
P.E.		
M.E.	FIRST USED	05 F36M
DSNR		
UNSPECIFIED TOLERANCES ARE:		MATERIAL:
WHOLE DIM (X)	: 1	*
ONE-PLACE (X.X)	: 1.5	*
TWO-PLACE (X.XX)	: 0.50	*
ANGLE	: 1°	*
THIRD ANGLE PROJECTION		*
DO NOT SCALE DRAWING		
TITLE: WIRING INSTL-BODY, 12V		
SHEET 1 OF 7	PART NO	148481

FOR ELECTRICAL TORQUE SPECIFICATIONS SEE DWG NO. 128783-01-000

(X-X) FOR ELECTRICAL CALLOUTS SEE DWG NO. 121339-01-000



10A RECEIVER-INFRARED
149750-01-000

276 THERMOSTAT
135618-04-CHT
29R 135618-03-CHT
SCREW
G13-07-12B (2)

4, 12, 15 PIN HOUSINGS
TO WIRE ASM-ROOF
COAX (RED)
COAX (GRN 2)
COAX (YEL)
COAX (GLD)
(SEE DETAIL DB)

WALLPLATE-TV
76319-09-000

COAX (GRN 2)
NM,PM
TO WALLPLATE-TV

4, 8 PIN HOUSINGS
TO LOAD SHEDDER CONTROL BOARD

WIRE ASM-COACH

571 RADIO-SPEAKER
94097-01-000
SCREW
G11-06-10J (4)

6 PIN HOUSING
TO WIRE ASM-SIDEWALL

WIN LAMP
ITA 93575-21-CHT
93575-20-CHT
BULB
117805-01-000 (2)
SCREW
G11-06-10J (2)
CONNECTOR
58028-01-000 (2)

LIGHT-READING
132427-01-CHT (2)
SCREW
G11-06-10J (4)

LAMP
93575-26-CHT
BULB
117805-02-000 (2)
SCREW
G11-06-10J (2)
CONNECTOR
58028-01-000 (2)

WIRE ASM-OVHD
144809-01-000

2, 6 PIN HOUSINGS
TO WIRE ASM-SIDEWALL
2 PIN HOUSING
TO WIRE ASM-SOFA

WIRE ASM-CHASSIS

SWITCH
(SEE DETAIL EC)

SWITCH 4
(SEE DETAIL ED)

LIGHT-WARDROBE 6
87694-01-000
CONNECTOR
58028-01-000 (2)
SCREW
G11-10-12U (2)
(SEE DETAIL DE)

SWITCH
56264-01-000
SCREW
G11-06-16U (2)

LIGHT-WARDROBE 6
87694-01-000
CONNECTOR
58028-01-000 (2)
SCREW
G11-10-12U (2)
(SEE DETAIL DE)

- 7 ADD CONDUIT 41953-07 TO WIRE OUT OF ROOF.
- 6 MOUNT LIGHT AS CLOSE TO WIRE DROP FROM ROOF AS POSSIBLE.
- 5 WIRE IN ROOF.
- 4 WIRE IN SIDEWALL.
- 3 WIRE PASSES THROUGH FLOOR AT THIS POINT.

2. SEE WIRING DIAGRAM-BODY,12V FOR ADDITIONAL INFORMATION.

1. ALL WIRES TO BE CLAMPED WITH CLAMP 10495-01-000 OR WIRE TIE 8343-02-000 EVERY 600MM, UNLESS OTHERWISE SPECIFIED.

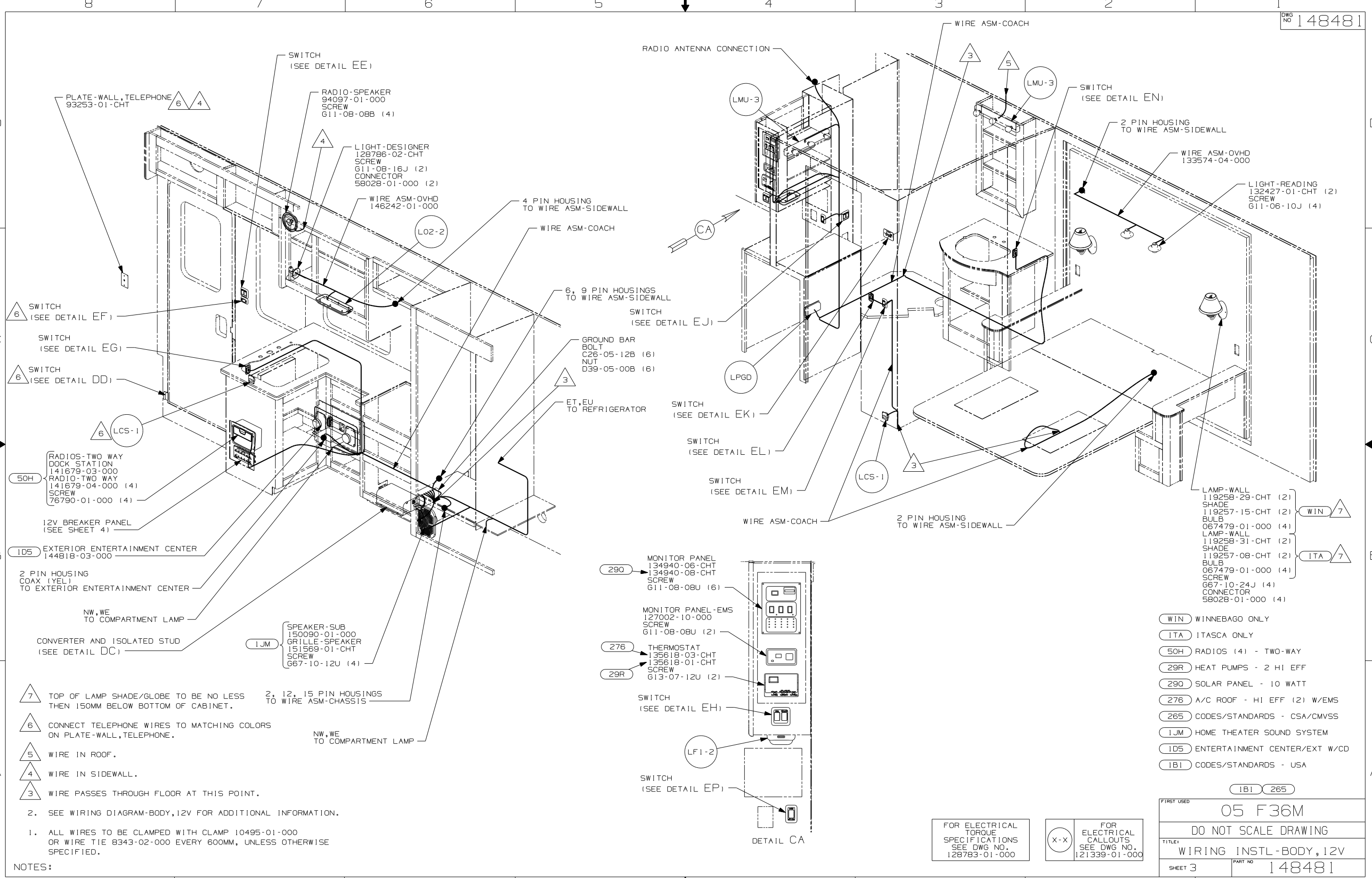
NOTES:

- 10A TV (REAR)-20"COLOR, STEREO
- WIN WINNEBAGO ONLY
- ITA ITASCA ONLY
- 571 RADIO SPEAKERS
- 29R HEAT PUMPS - 2 HI EFF
- 276 A/C ROOF-HI EFF (2) W/EMS
- 265 CODES/STANDARDS - CSA/CMVSS
- 1B1 CODES/STANDARDS - USA

FOR ELECTRICAL
TORQUE
SPECIFICATIONS
SEE DWG NO.
128783-01-000

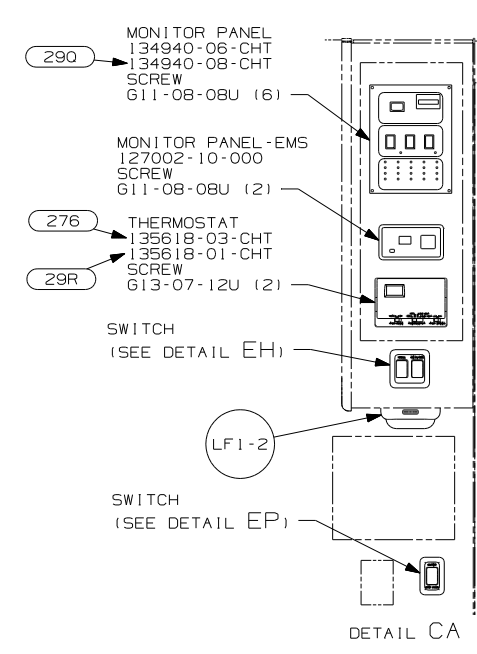
X-X FOR
ELECTRICAL
CALLOUTS
SEE DWG NO.
121339-01-000

FIRST USED	05 F36M
TITLE:	DO NOT SCALE DRAWING
	WIRING INSTL-BODY,12V
SHEET 2	PART NO 148481



- PLATE - WALL, TELEPHONE 93253-01-CHT
- RADIO-SPEAKER 94097-01-000 SCREW 611-08-08B (4)
- LIGHT-DESIGNER 128786-02-CHT SCREW 611-08-16J (2) CONNECTOR 58028-01-000 (2)
- WIRE ASM-OVHD 146242-01-000
- SWITCH (SEE DETAIL EE)
- SWITCH (SEE DETAIL EF)
- SWITCH (SEE DETAIL EG)
- SWITCH (SEE DETAIL DD)
- LCS-1
- RADIOS-TWO WAY DOCK STATION 141679-03-000 RADIO-TWO WAY 141679-04-000 (4) SCREW 76790-01-000 (4)
- 12V BREAKER PANEL (SEE SHEET 4)
- EXTERIOR ENTERTAINMENT CENTER 144818-03-000
- 2 PIN HOUSING COAX (YEL) TO EXTERIOR ENTERTAINMENT CENTER
- NW,WE TO COMPARTMENT LAMP
- CONVERTER AND ISOLATED STUD (SEE DETAIL DC)
- SPEAKER-SUB 150090-01-000 GRILLE-SPEAKER 151569-01-CHT SCREW 667-10-12U (4)
- TOP OF LAMP SHADE/GLOBE TO BE NO LESS THAN 150MM BELOW BOTTOM OF CABINET.
- CONNECT TELEPHONE WIRES TO MATCHING COLORS ON PLATE-WALL, TELEPHONE.
- WIRE IN ROOF.
- WIRE IN SIDEWALL.
- WIRE PASSES THROUGH FLOOR AT THIS POINT.

- 2. SEE WIRING DIAGRAM-BODY,12V FOR ADDITIONAL INFORMATION.
- 1. ALL WIRES TO BE CLAMPED WITH CLAMP 10495-01-000 OR WIRE TIE 8343-02-000 EVERY 600MM, UNLESS OTHERWISE SPECIFIED.



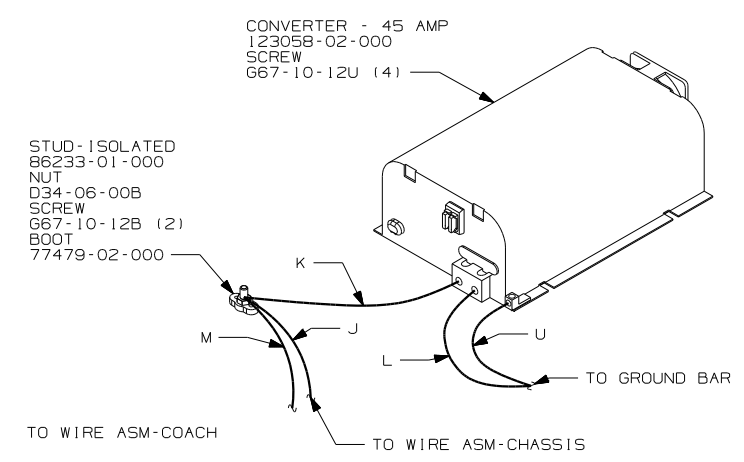
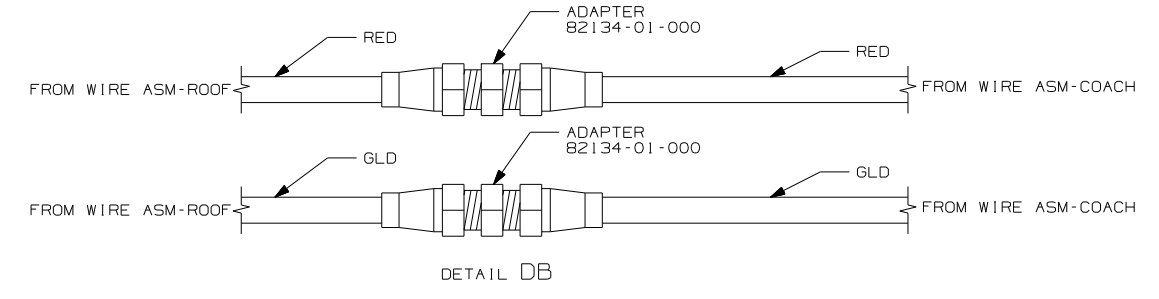
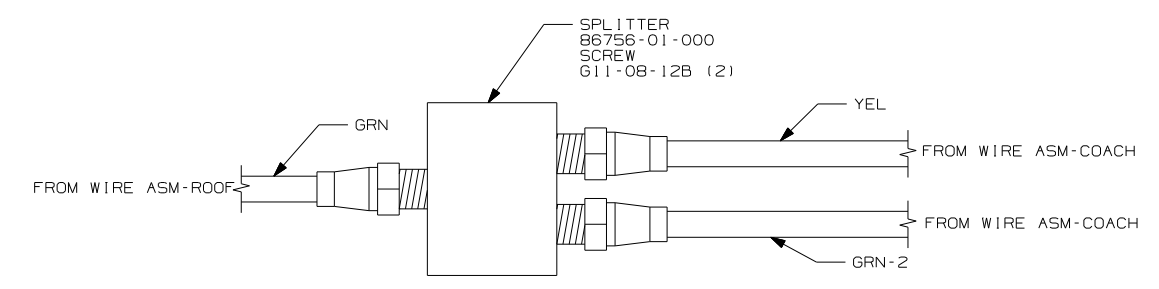
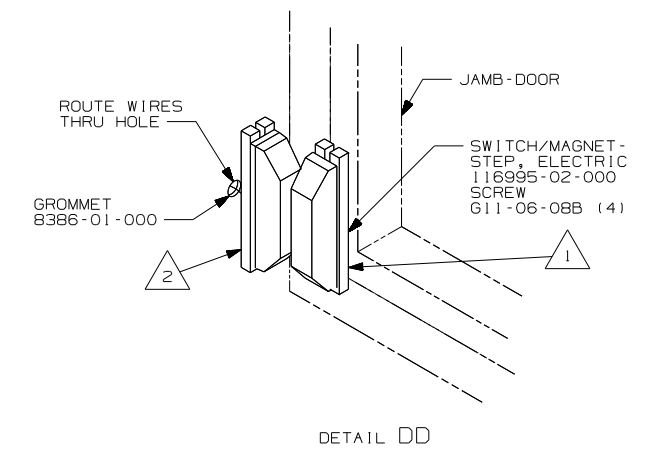
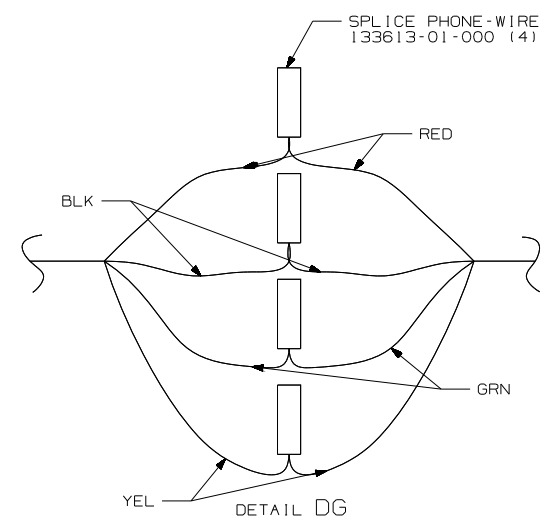
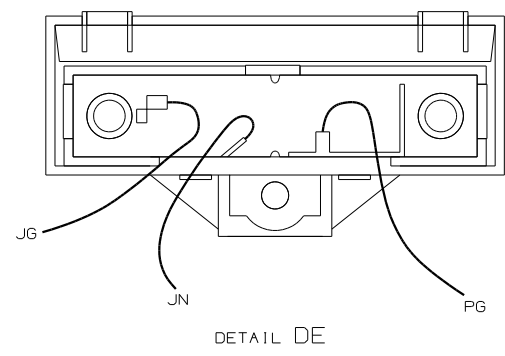
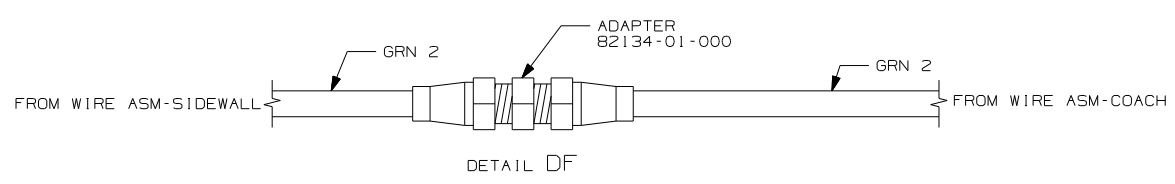
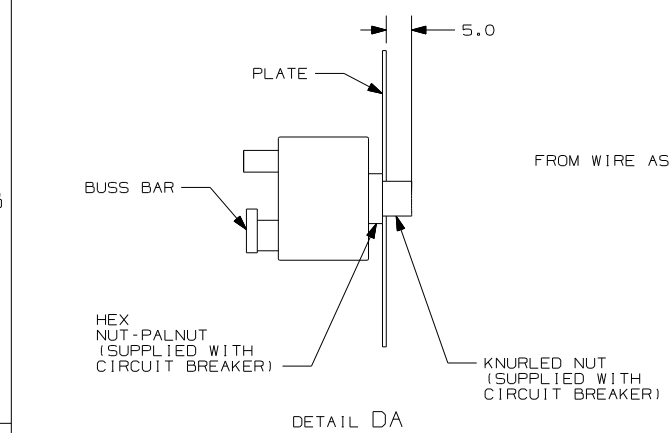
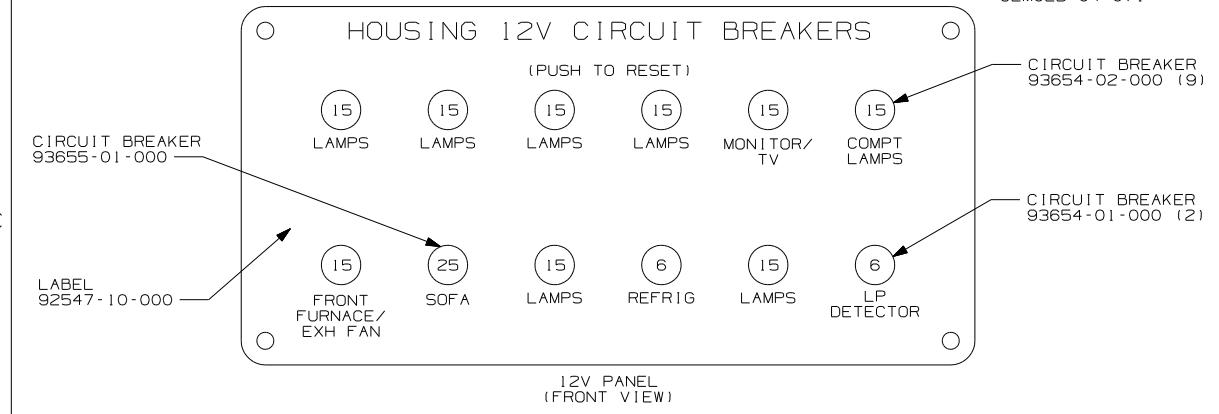
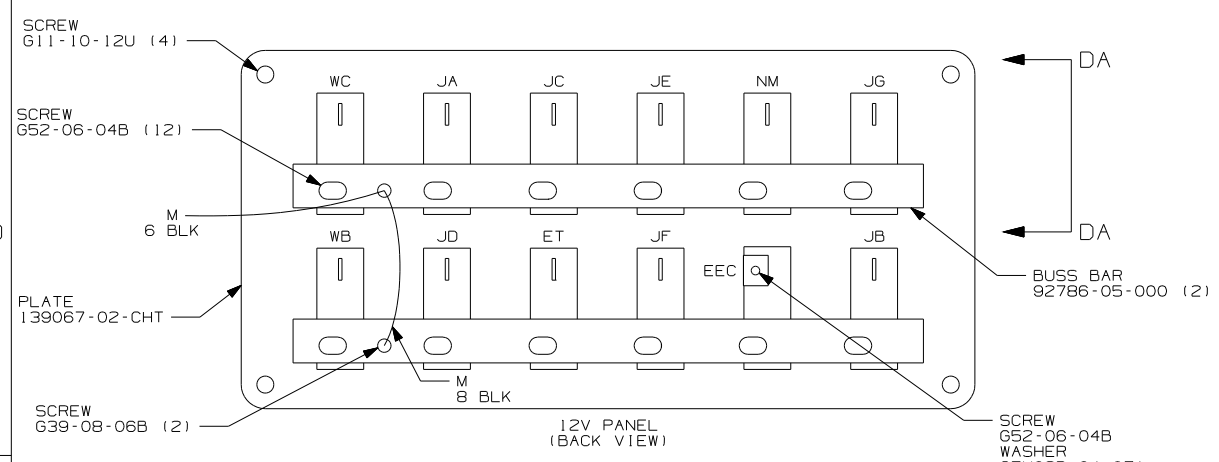
- LAMP-WALL 119258-29-CHT (2) SHADE 119257-15-CHT (2) BULB 067479-01-000 (4) LAMP-WALL 119258-31-CHT (2) SHADE 119257-08-CHT (2) BULB 067479-01-000 (4) SCREW 667-10-24J (4) CONNECTOR 58028-01-000 (4)

- WIN WINNEBAGO ONLY
- ITA ITASCA ONLY
- 50H RADIOS (4) - TWO-WAY
- 29R HEAT PUMPS - 2 HI EFF
- 290 SOLAR PANEL - 10 WATT
- 276 A/C ROOF - HI EFF (2) W/EMS
- 265 CODES/STANDARDS - CSA/CMVSS
- IJM HOME THEATER SOUND SYSTEM
- ID5 ENTERTAINMENT CENTER/EXT W/CD
- IB1 CODES/STANDARDS - USA

FOR ELECTRICAL TORQUE SPECIFICATIONS SEE DWG NO. 128783-01-000

FOR ELECTRICAL CALLOUTS SEE DWG NO. 121339-01-000

FIRST USED	05 F36M
TITLE	DO NOT SCALE DRAWING
	WIRING INSTL-BODY,12V
SHEET 3	PART NO 148481



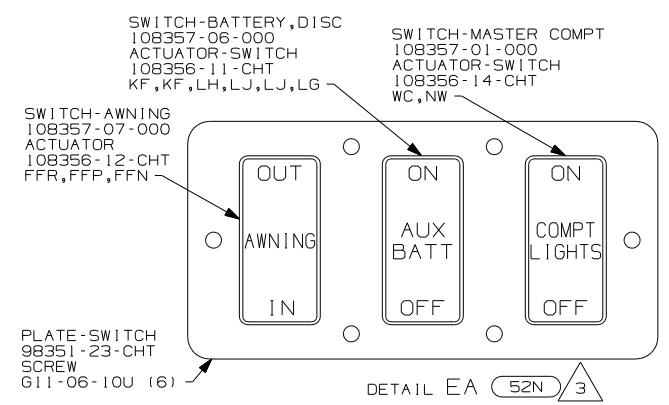
- NOTES:
- 3 FOR POSITIONING DIMENSIONS SEE WIRING INSTL-BODY, 110V SHT 4.
 - 2 MOUNT SWITCH AND SPACER TO BLOCK ON JAMB ADJUST HEIGHT TO MATCH MAGNET.
 - 1 MOUNT MAGNET USING PILOT HOLES IN SCREEN DOOR FRAME. MOUNT WITH MAGNET TOWARD SWITCH.

FOR ELECTRICAL TORQUE SPECIFICATIONS SEE DWG NO. 128783-01-000

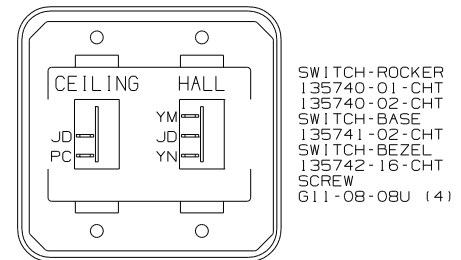
X-X FOR ELECTRICAL CALLOUTS SEE DWG NO. 121339-01-000

265 CODES/STANDARDS - CSA/CMVSS
 1B1 CODES/STANDARDS - USA

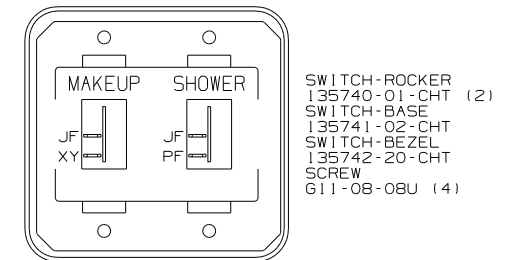
FIRST USED	05 F36M
TITLE	DO NOT SCALE DRAWING
WIRING INSTL-BODY, 12V	
SHEET 4	PART NO 148481



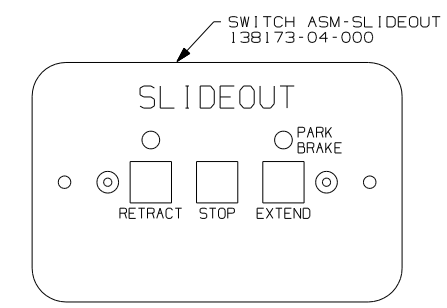
DETAIL EA (52N) 3



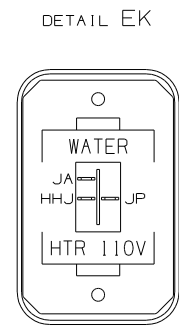
DETAIL ED



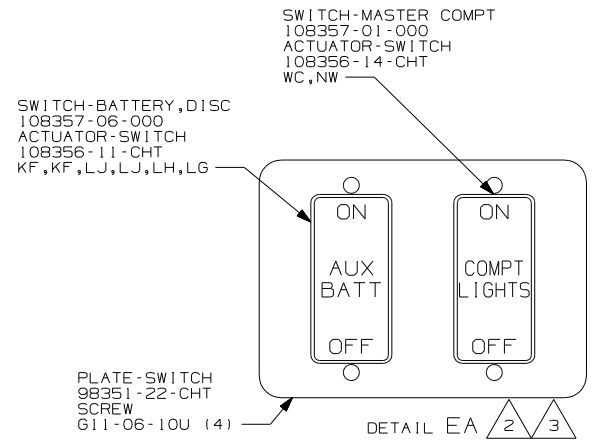
DETAIL EJ



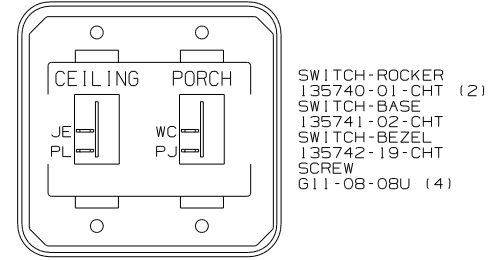
WARNING UNDERSTAND OPERATOR'S MANUAL BEFORE USING
KEEP PEOPLE AND OBSTRUCTIONS CLEAR OF
SLIDEOUT ROOM WHEN OPERATING TO AVOID
INJURY AND/OR PROPERTY DAMAGE



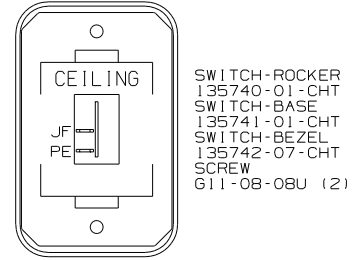
DETAIL EK



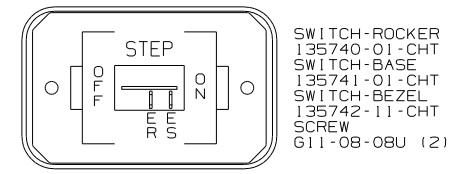
DETAIL EA 2 3



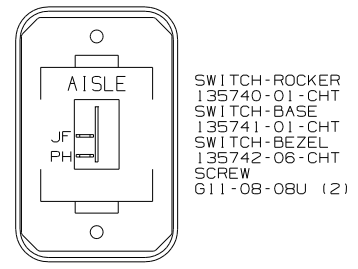
DETAIL EE



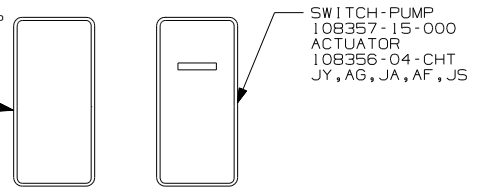
DETAIL EL



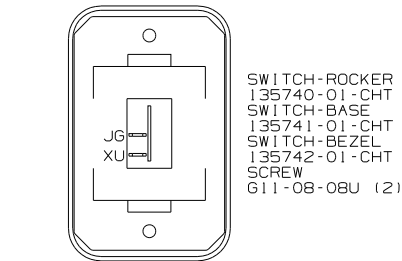
DETAIL EF



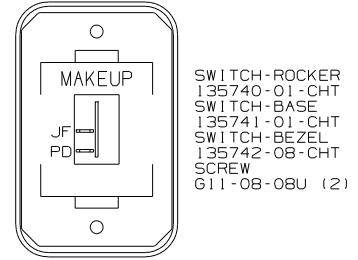
DETAIL EM



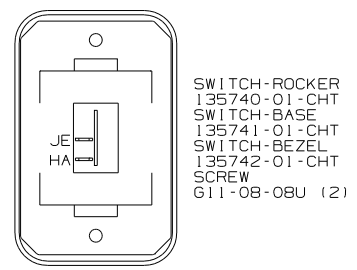
DETAIL EB 3



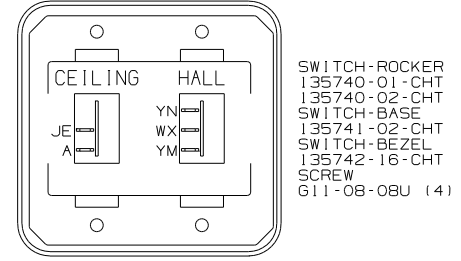
DETAIL EG



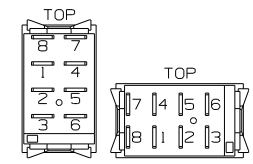
DETAIL EN



DETAIL EC



DETAIL EH



DETAIL ER

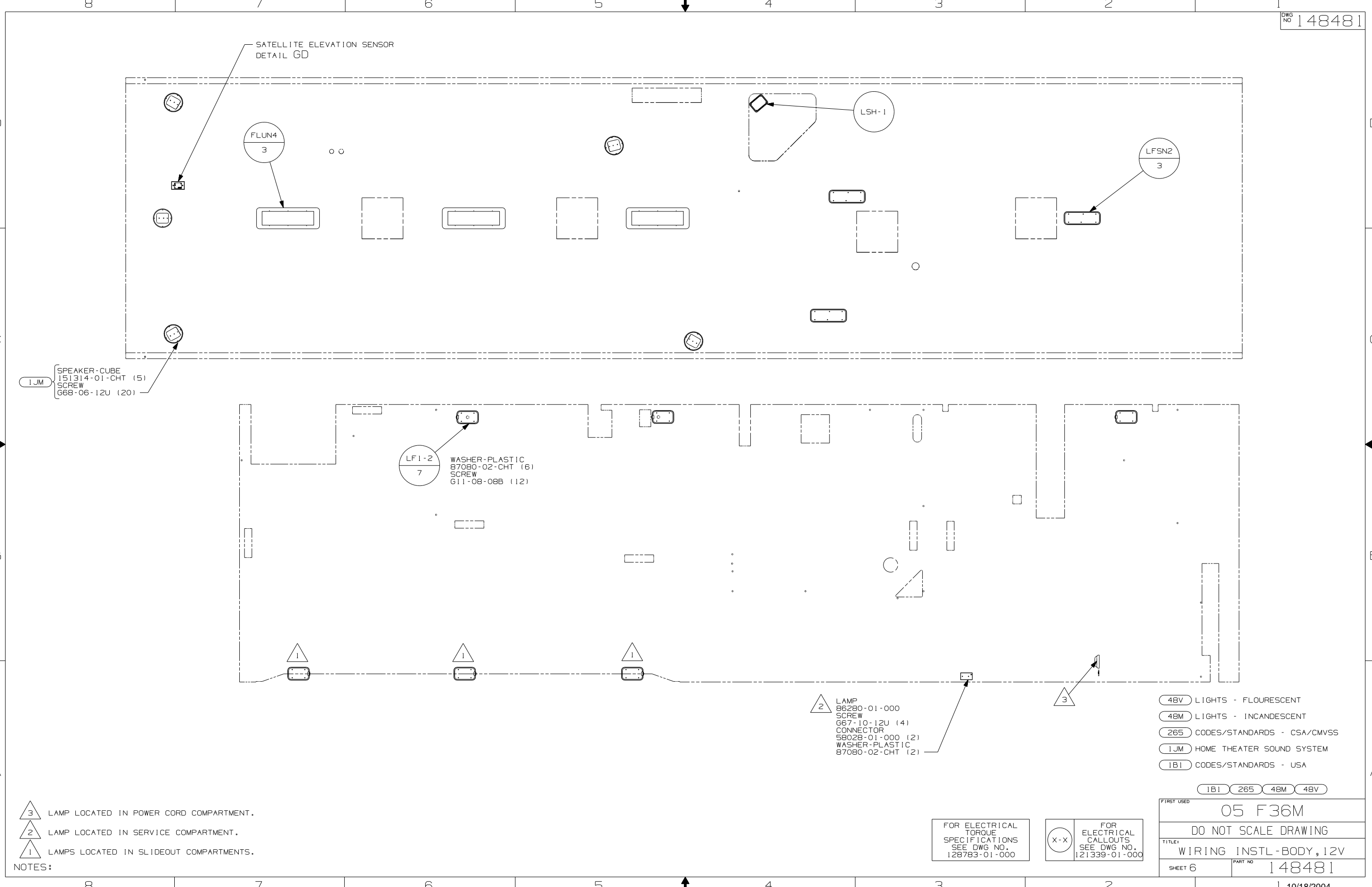
- (53D) WTR HTR-6GAL/ELE/LP/MOTORAID
- (52N) AWNING - PATIO,ELECTRIC
- (265) CODES/STANDARDS - CSA/CMVSS
- (1B2) WTR HTR-10GAL/ELEC/LP/MTR AID
- (1B1) CODES/STANDARDS - USA

3 FOR SWITCH ORIENTATION SEE DETAIL ER.
2 WITHOUT (52N).
1. SWITCHES ARE TO BE INSTALLED AS SHOWN ON THIS DRAWING.
NOTES:

FOR ELECTRICAL TORQUE SPECIFICATIONS SEE DWG NO. 128783-01-000

(X-X) FOR ELECTRICAL CALLOUTS SEE DWG NO. 121339-01-000

FIRST USED	05 F36M
TITLE	DO NOT SCALE DRAWING
	WIRING INSTL-BODY,12V
SHEET 5	PART NO 148481



1JM SPEAKER-CUBE
151314-01-CHT (5)
SCREW
668-06-12U (20)

LF1-2
7 WASHER-PLASTIC
87080-02-CHT (6)
SCREW
611-08-08B (12)

2 LAMP
86280-01-000
SCREW
667-10-12U (4)
CONNECTOR
58028-01-000 (2)
WASHER-PLASTIC
87080-02-CHT (2)

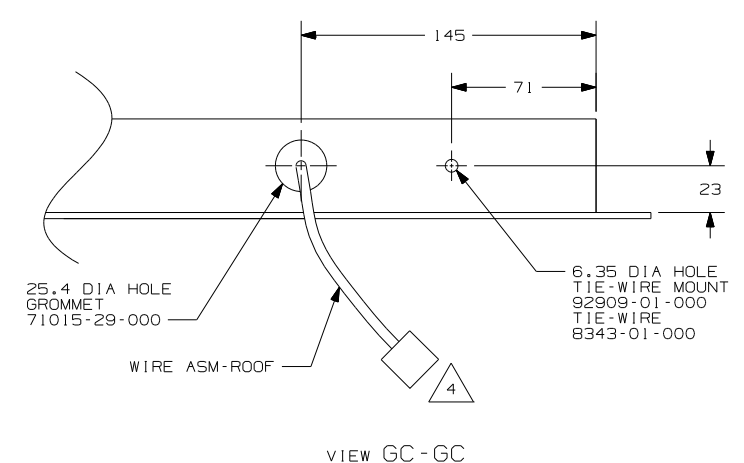
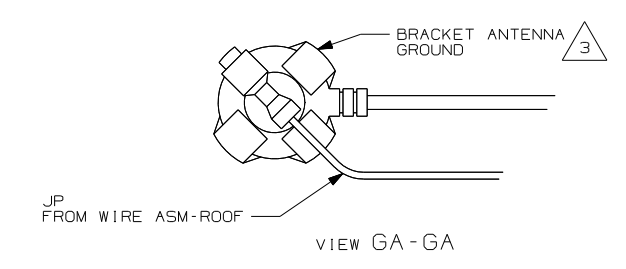
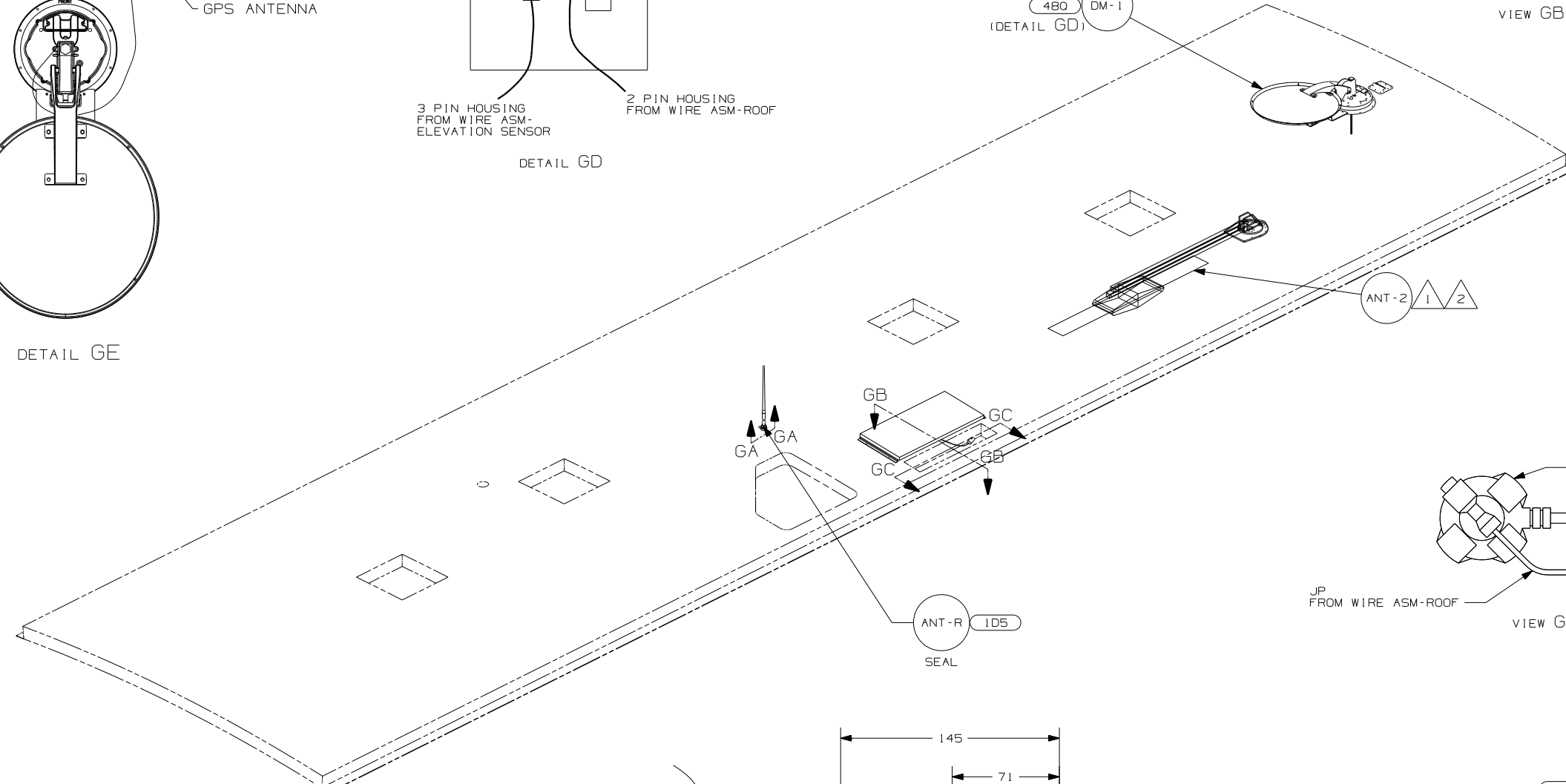
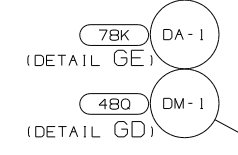
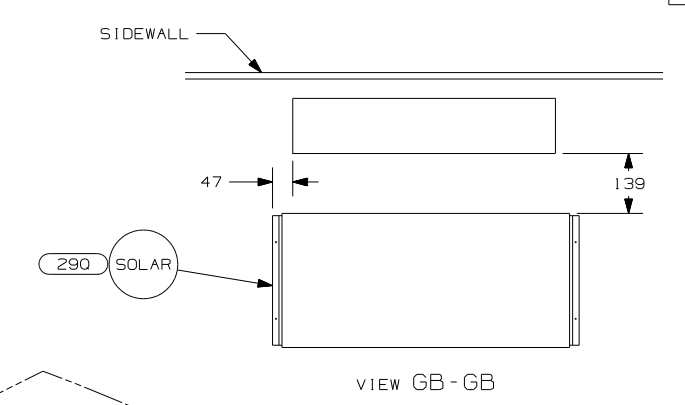
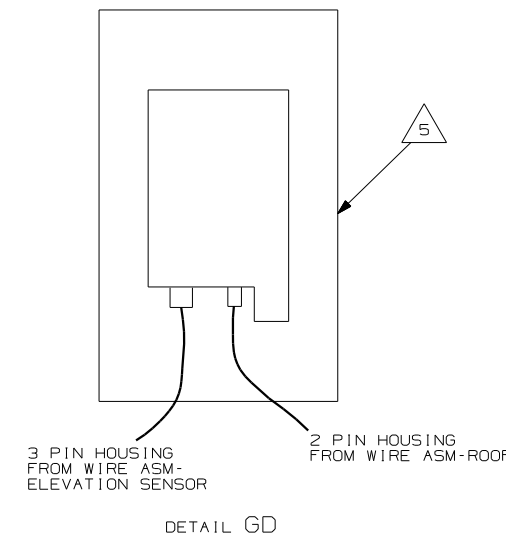
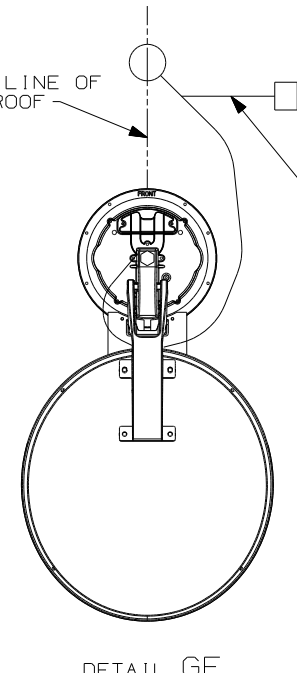
- 48V LIGHTS - FLOURESCENT
- 48M LIGHTS - INCANDESCENT
- 265 CODES/STANDARDS - CSA/CMVSS
- 1JM HOME THEATER SOUND SYSTEM
- 1B1 CODES/STANDARDS - USA

- NOTES:
- 3 LAMP LOCATED IN POWER CORD COMPARTMENT.
 - 2 LAMP LOCATED IN SERVICE COMPARTMENT.
 - 1 LAMPS LOCATED IN SLIDEOUT COMPARTMENTS.

FOR ELECTRICAL
TORQUE
SPECIFICATIONS
SEE DWG NO.
128783-01-000

FOR
ELECTRICAL
CALLOUTS
SEE DWG NO.
121339-01-000

FIRST USED	
05 F36M	
DO NOT SCALE DRAWING	
TITLE: WIRING INSTL-BODY, 12V	
SHEET 6	PART NO 148481



- NOTES:
- 5 SENSOR SUPPLIED WITH SATELLITE ASSEMBLY.
 - 4 FASTEN TO VENT.
 - 3 WRAP BRACKET LEGS AROUND ANTENNA BASE.
 - 2 ADD RUBBER BUMPERS TO ROOF UNDER EACH END OF ANTENNA TO PREVENT CONTACT WITH ROOF.
 - 1 SEE DWG 76319-01-000 FOR INSTALLATION OF TV ANTENNA.

- 480 SATELLITE DISH & ELEV.SENSOR
- 290 SOLAR PANEL-10 WATT
- 1D5 ENTERTAINMENT CENTR/EXT W/CD
- 265 CODES/STANDARDS - CSA/CMVSS
- 1B1 CODES/STANDARDS - USA

FOR ELECTRICAL TORQUE SPECIFICATIONS SEE DWG NO. 128783-01-000

FOR ELECTRICAL CALLOUTS SEE DWG NO. 121339-01-000

FIRST USED	
05 F36M	
DO NOT SCALE DRAWING	
TITLE: WIRING INSTL-BODY, 12V	
SHEET 7	PART NO 148481