

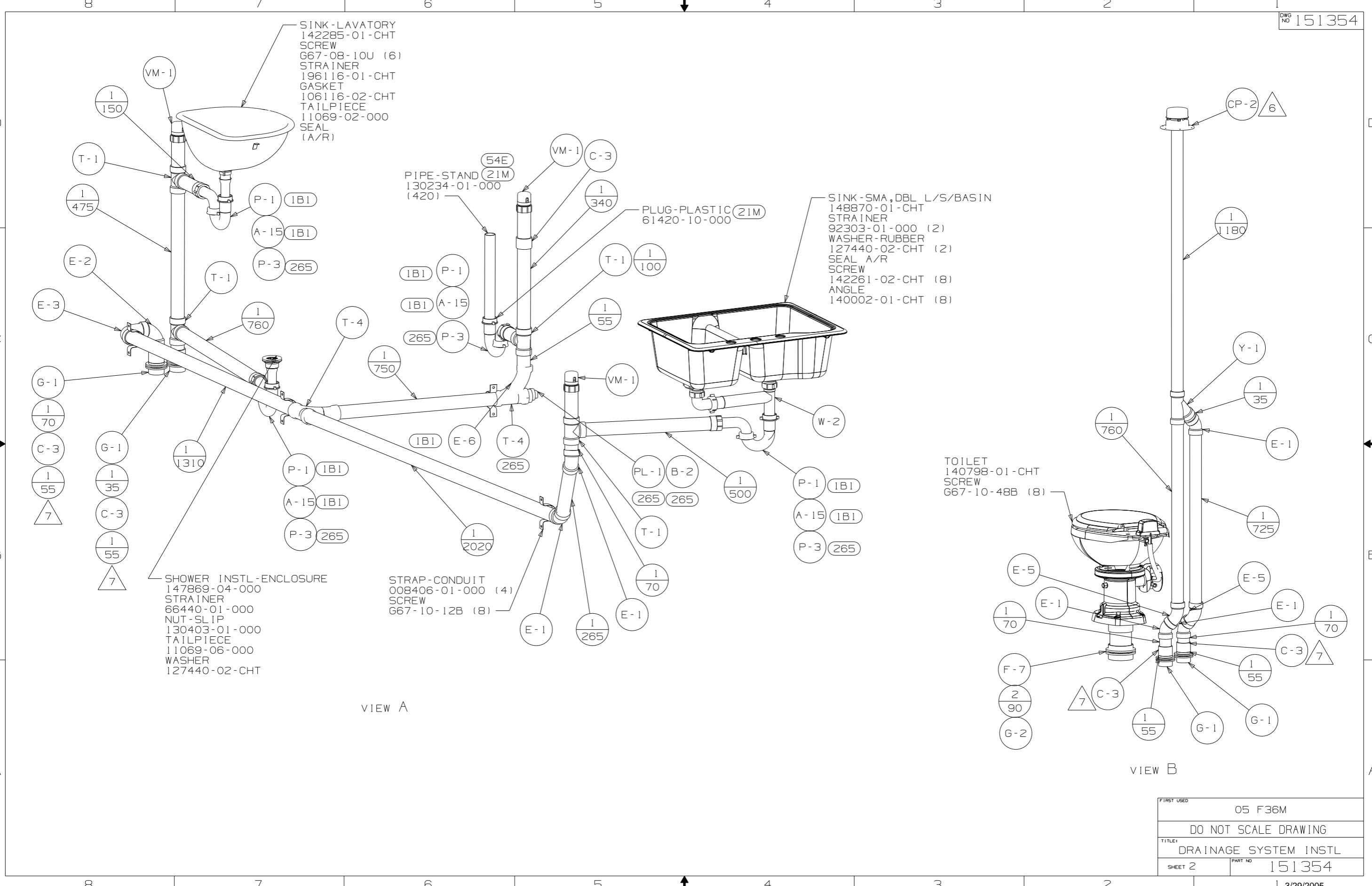
FRONT  
OF  
COACH

- (1B1) CODES/STANDARDS USA
- (265) CODES/STANDARDS-CSA,CMVSS
- (54E) WASHER/DRYER
- (21M) WASHER/DRYER PREP

- NOTES:
7. SECURE VENT TUBES WITH BRACKET 136878-01-CHT (4), CLAMP 62401-02-000 (4), SCREW G67-10-12B (4)
  6. VENT PIPE MUST PROECT 51 MIN AND 64 MAX ABOVE ROOF FOR PROPER FIT AND FUNCTION.
  5. SEAL AROUND SHOWER WITH SILICONE.
  4. ALL EXTERIOR OPENINGS AROUND PIPE TO BE SEALED WITH 100744-01-000.
  3. ALL PIPE AND FITTINGS TO BE ASSEMBLED WITH SOLVENT 4020-01-000 (US), 4020-02-000 (CAN).
  2. SLOPE OF TRAP ARM MUST BE 6 PER 305 mm.
  1. SLOPE OF HORIZONTAL PIPING TO BE 6 PER 305 mm.

(X-X)  
FOR  
DRAINAGE  
CALLOUTS  
SEE DWG NO  
116229-01-000

<b>WINNEBAGO</b>		COPYRIGHT 2005 WINNEBAGO INDUSTRIES, INC.	
DFTR	ORIG. DATE	ALL DIMENSIONS ARE IN MILLIMETERS	
CHKR		FIRST USED	
P.E.		05 F36M	
M.E.		UNSPECIFIED TOLERANCES ARE:	
DSNR		MATERIAL:	
		WHOLE DIM (X)	: 3
		ONE-PLACE (X.X)	:
		TWO-PLACE (X.XX)	:
		ANGLE	:
THIRD ANGLE PROJECTION		DO NOT SCALE DRAWING	
TITLE: DRAINAGE SYSTEM INSTL			
SHEET 1 OF 3		PART NO 151354	



SINK-LAVATORY  
 142285-01-CHT  
 SCREW  
 G67-08-10U (6)  
 STRAINER  
 196116-01-CHT  
 GASKET  
 106116-02-CHT  
 TAILPIECE  
 11069-02-000  
 SEAL  
 (A/R)

PIPE-STAND  
 130234-01-000  
 (420)

PLUG-PLASTIC  
 61420-10-000

SINK-SMA, DBL L/S/BASIN  
 148870-01-CHT  
 STRAINER  
 92303-01-000 (2)  
 WASHER-RUBBER  
 127440-02-CHT (2)  
 SEAL A/R  
 SCREW  
 142261-02-CHT (8)  
 ANGLE  
 140002-01-CHT (8)

TOILET  
 140798-01-CHT  
 SCREW  
 G67-10-48B (8)

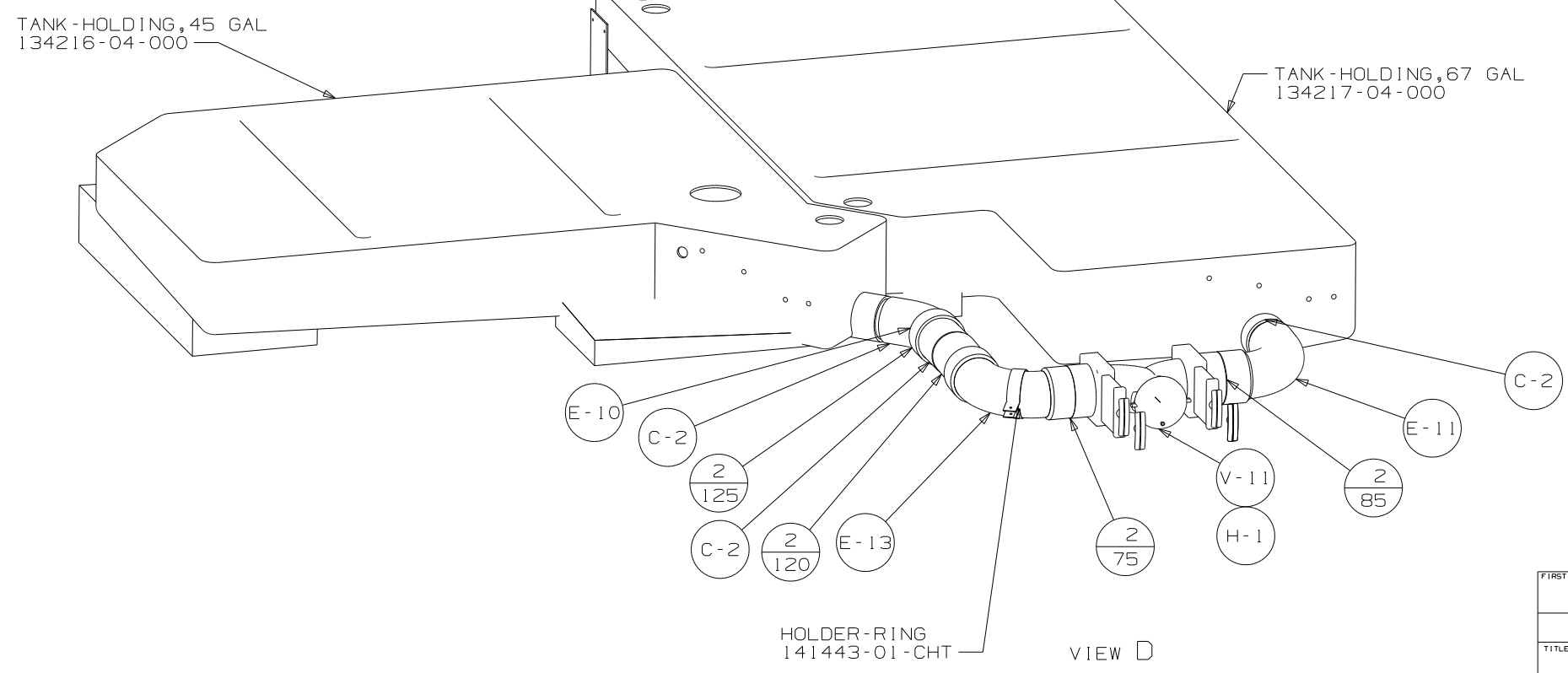
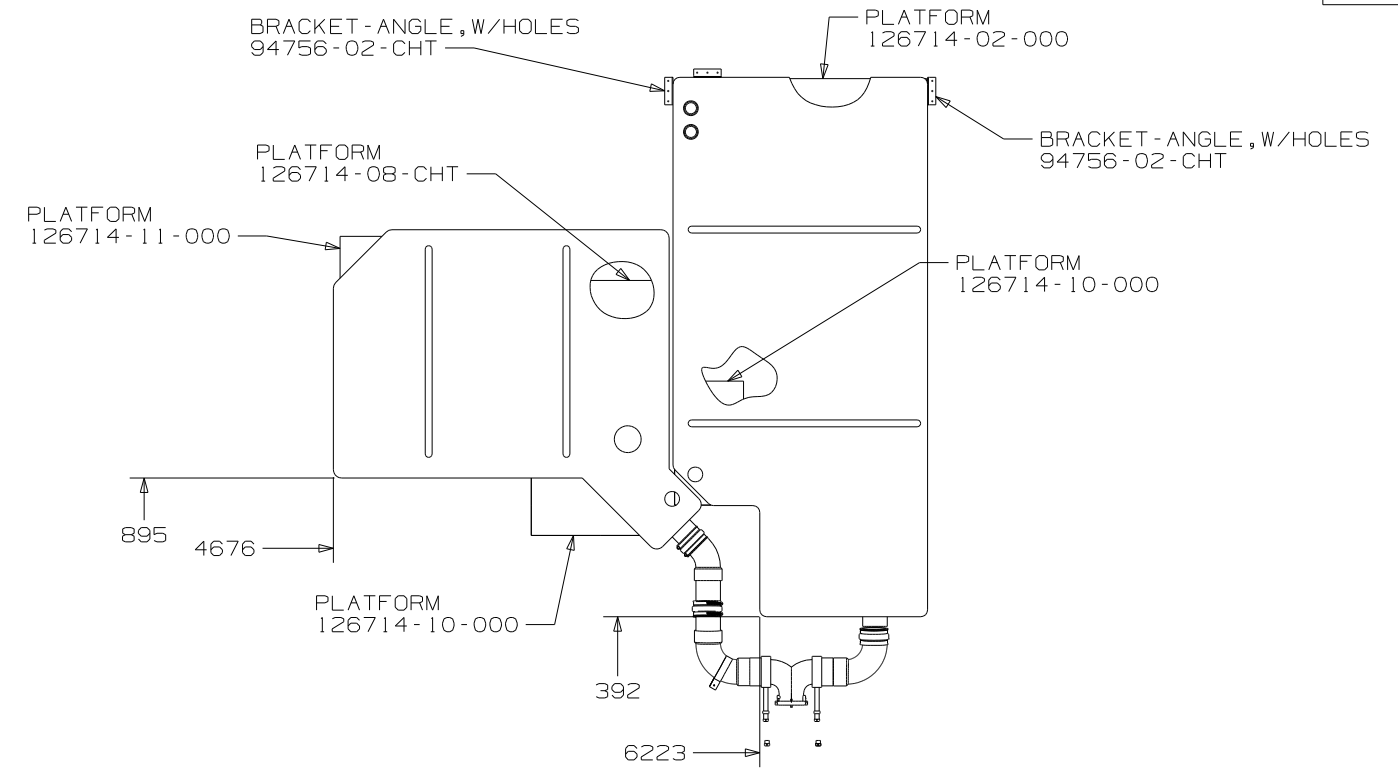
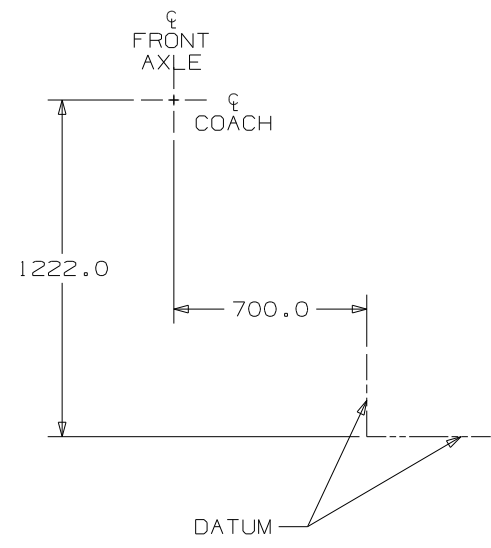
SHOWER INSTL-ENCLOSURE  
 147869-04-000  
 STRAINER  
 66440-01-000  
 NUT-SLIP  
 130403-01-000  
 TAILPIECE  
 11069-06-000  
 WASHER  
 127440-02-CHT

STRAP-CONDUIT  
 008406-01-000 (4)  
 SCREW  
 G67-10-12B (8)

VIEW A

VIEW B

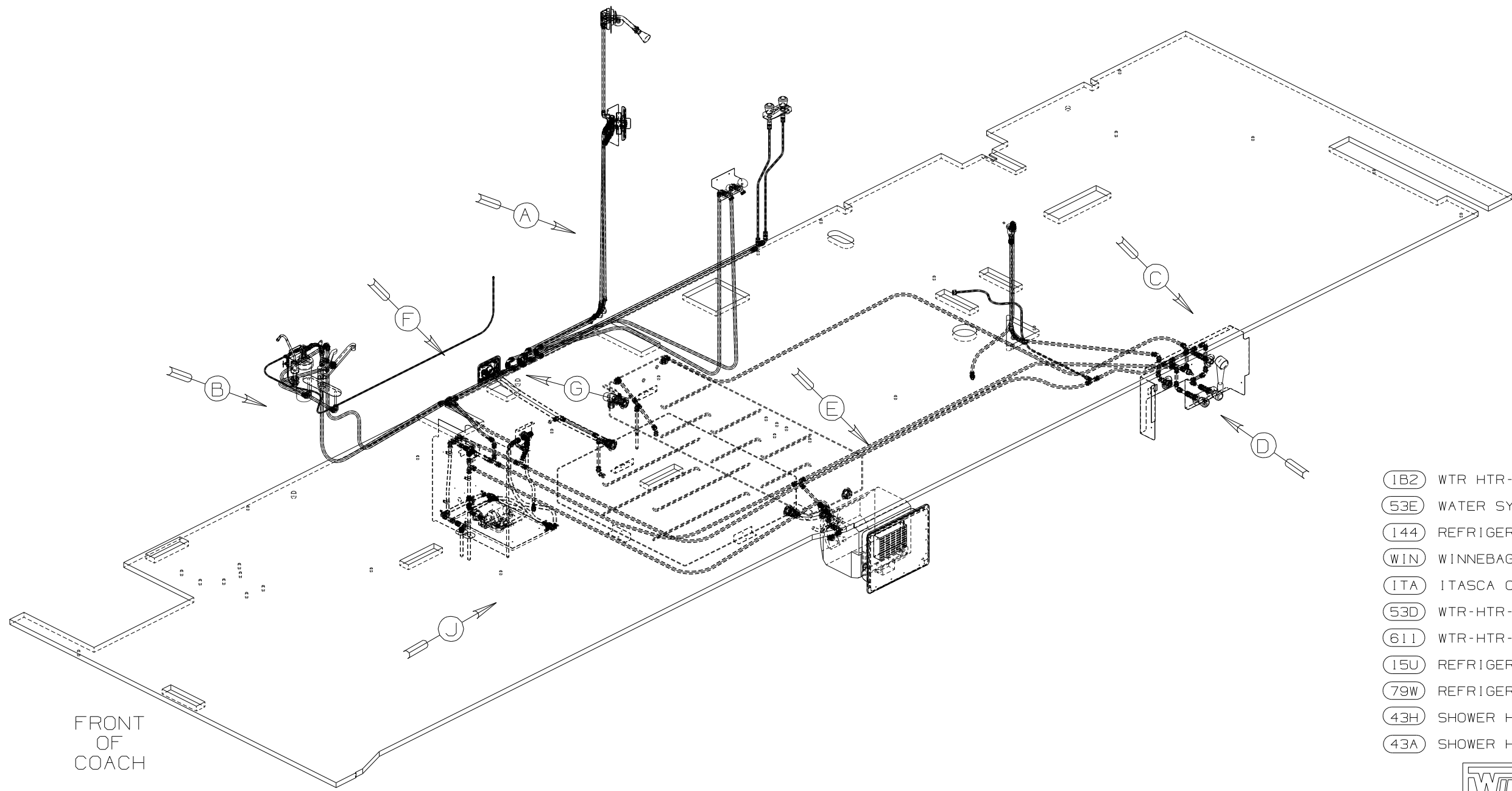
FIRST USED	05 F36M
DO NOT SCALE DRAWING	
TITLE: DRAINAGE SYSTEM INSTL	
SHEET 2	PART NO 151354



FIRST USED	05 F36M
DO NOT SCALE DRAWING	
TITLE	DRAINAGE SYSTEM INSTL
SHEET 3	PART NO 151354

DWG NO	----
151353-01	(WIN)
151353-02	(ITA)

RELEASE	REV DATE	DWG NO
A		151353
REV ZONE	REVISION RECORD	DATE DFR-ORIG



- (1B2) WTR HTR-10 GAL/ELEC/LP/MTR AID
- (53E) WATER SYSTEM WINTERIZATION PKG
- (144) REFRIGERATOR-DOUBLE DOOR
- (WIN) WINNEBAGO ONLY
- (ITA) ITASCA ONLY
- (53D) WTR-HTR-6/ELE/LP/MA
- (611) WTR-HTR-AUX AUTO/MA
- (15U) REFRIGERATOR/FRZR W/ICEMAKER
- (79W) REFRIGERATOR 4-DOOR
- (43H) SHOWER HEAD-HAND HELD
- (43A) SHOWER HEAD-FIXED

- NOTES:
- 7 ADD TEFLON TAPE 10405-03-000.
  - 6 ADD TEFLON TAPE 10405-01-000.
  - 5 ADD TEFLON TAPE 10405-02-000.
  - 4 FLUSHING SYSTEM REQUIRES 125697-06-000 INSTRUCTION SHEET.
3. ALL TUBING TO BE SECURED AT 1200 INTERVALS MAXIMUM WITH CLAMP 10495-01-000 OR CLIP 9151-01-000 AND SCREW G67-10-12B.
  2. TUBING TO BE INSTALLED WITH SUFFICIENT SLOPE TO PROVIDE DRAINAGE TO NEAREST VALVE.
  1. PLASTIC FITTINGS TO BE SEALED WITH SEALANT 84456-01-000.

(X-X)  
FOR WATER CALLOUTS SEE DWG NO 116230-01-000

<b>WINNEBAGO</b>		COPYRIGHT 2005 WINNEBAGO INDUSTRIES, INC.	
DFTR	ORIG. DATE	ALL DIMENSIONS ARE IN MILLIMETERS	
CHKR		FIRST USED	
P.E.		05 F36M	
M.E.		UNSPECIFIED TOLERANCES ARE:	
DSNR		MATERIAL:	
		WHOLE DIM (X) :	
		ONE-PLACE (X.X) :	
		TWO-PLACE (X.XX) :	
		ANGLE :	
THIRD ANGLE PROJECTION		DO NOT SCALE DRAWING	
TITLE: WATER SYSTEM INSTL			
SHEET 1 OF 4		PART NO 151353	

4 BREAKER-VACUUM  
125697-04-000  
CHECK VALVE  
125697-03-000  
MUST BE MOUNTED ABOVE  
TOILET FLOOD LEVEL

E-29 PLATE-COVER  
131549-01-CHT

VALVE-SHOWER HEAD  
128974-01-CHT  
BRACKET ASM  
131551-01-CHT

FAUCET-VALVE  
144596-01-CHT  
FAUCET-TRIM KIT  
144596-03-CHT (43A)

FAUCET-WASHER  
98419-01-000 (2)

BRACKET-FAUCET  
134472-01-CHT

FAUCET  
149164-01-CHT  
SPACER-FAUCET  
137079-02-CHT

FAUCET  
103635-01-000

FILTER  
87200-01-000  
CARTRIDGE  
87200-02-000  
SCREW  
667-10-12U (2)

DROP ELL  
135028-02-CHT  
SHOWER HEAD  
129390-03-CHT  
SPACER  
130041-03-CHT  
VALVE-SHOWER HEAD  
128974-01-CHT

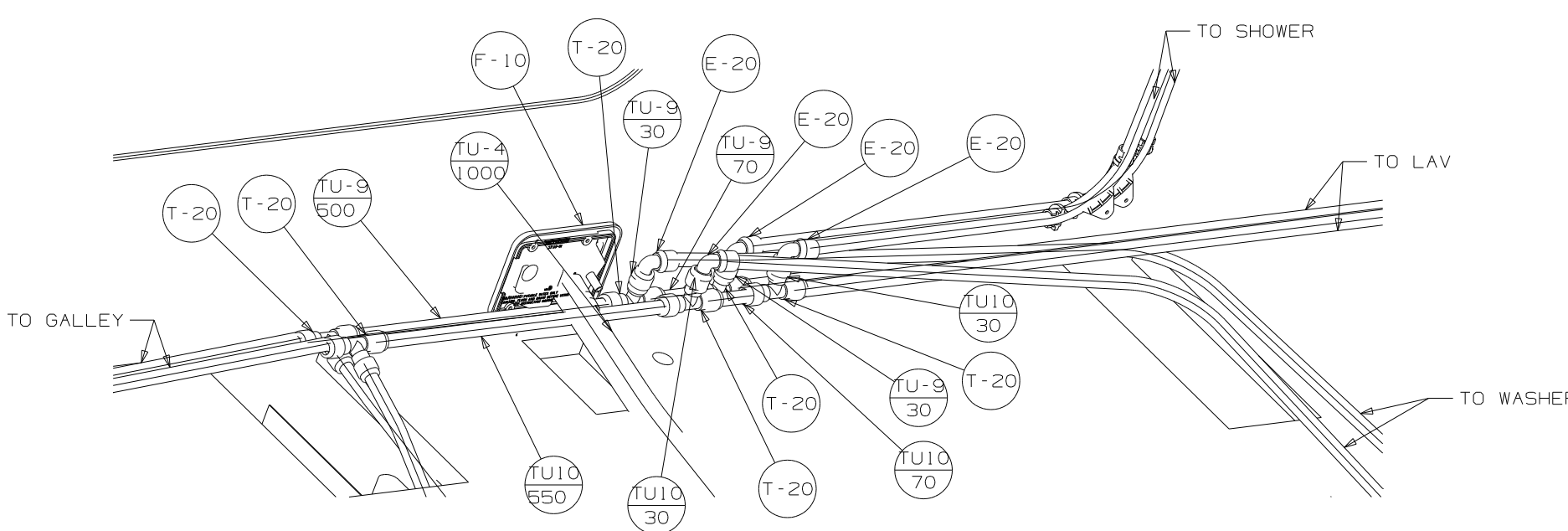
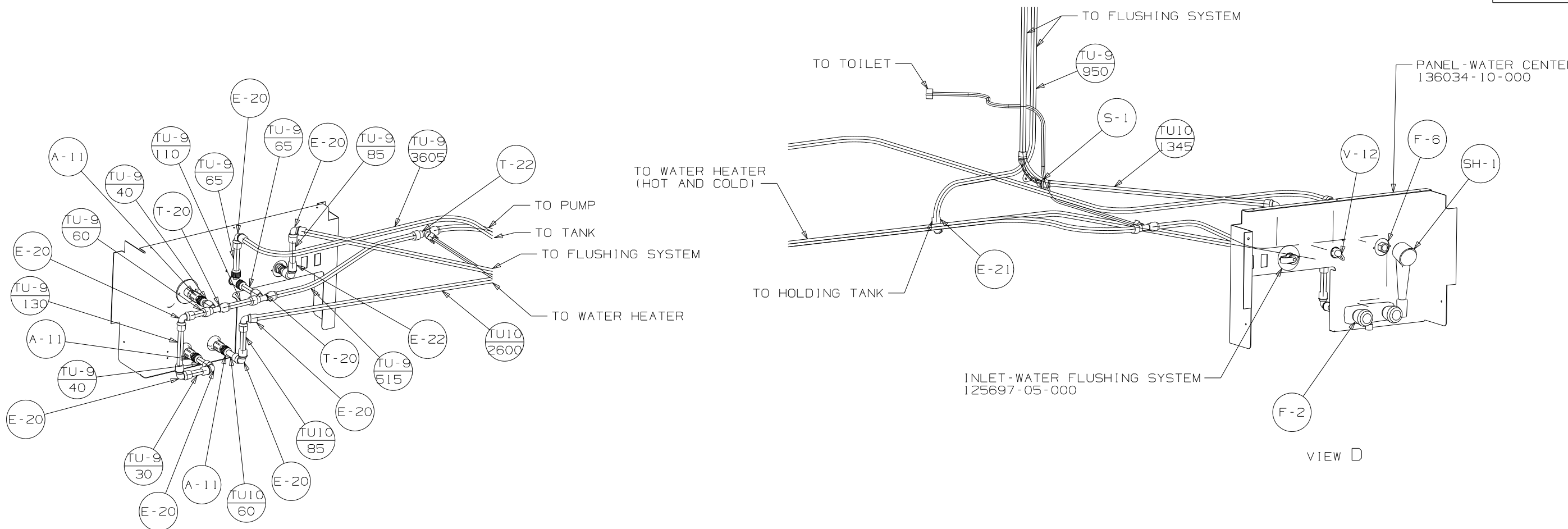
FAUCET-TRIM KIT  
144596-02-CHT

VIEW A

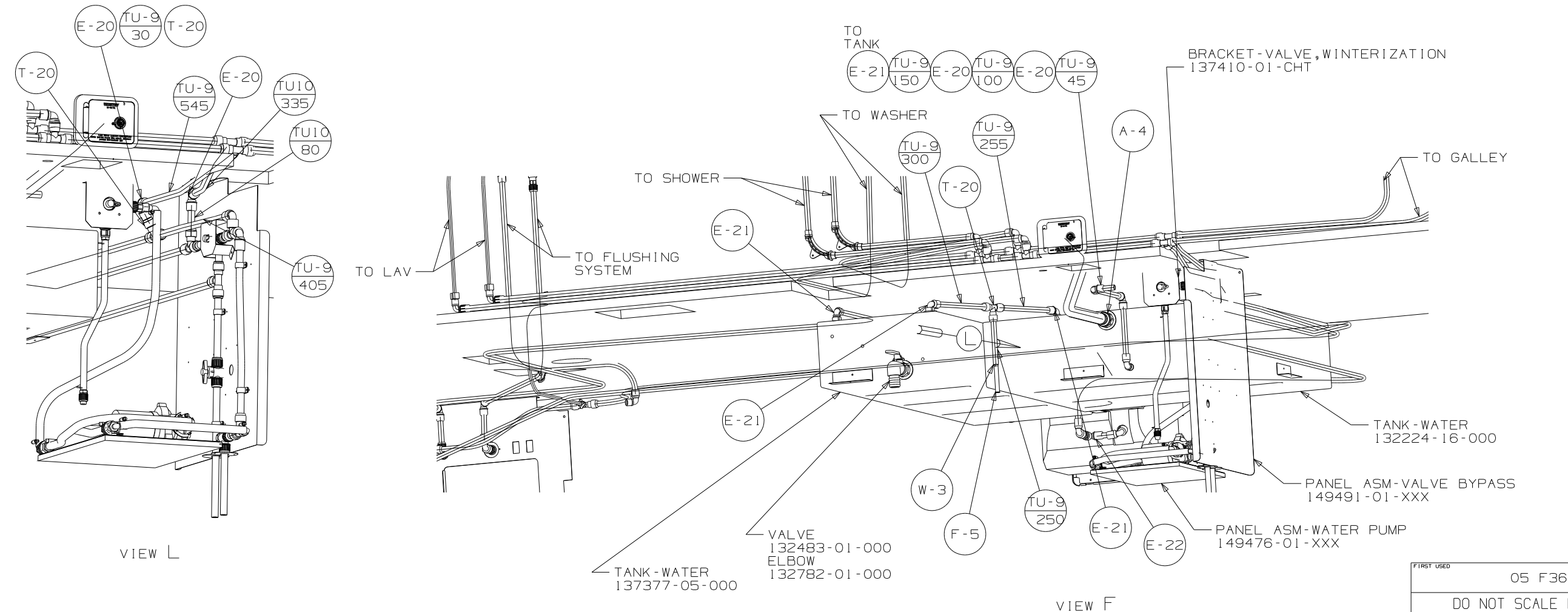
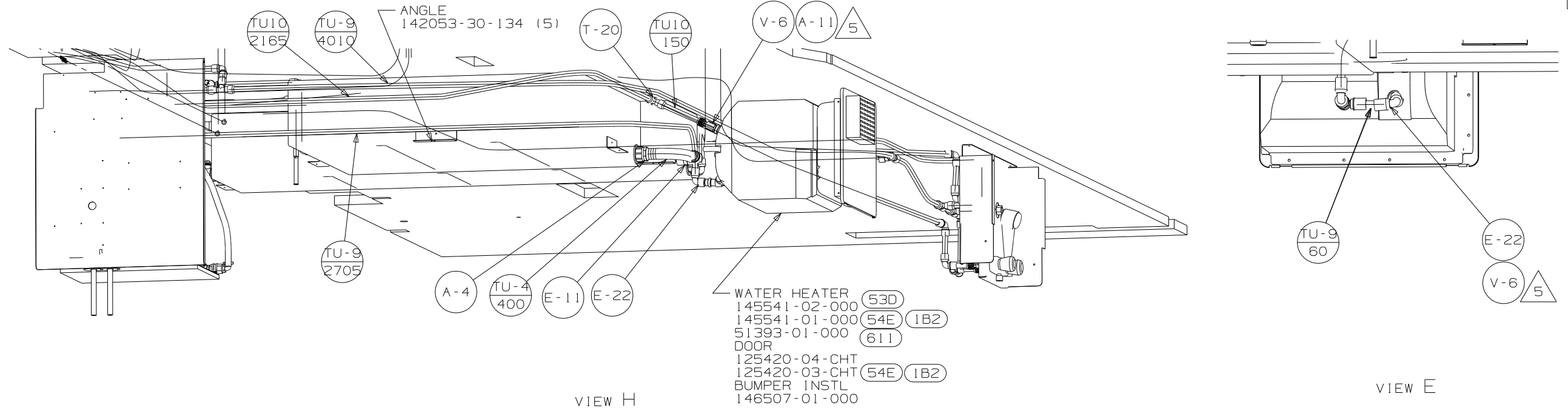
VIEW B

VIEW K (43H)

FIRST USED	05 F36M
TITLE	DO NOT SCALE DRAWING
TITLE	WATER SYSTEM INSTL
SHEET 2	PART NO 151353



FIRST USED	05 F36M
TITLE	DO NOT SCALE DRAWING
SHEET 3	PART NO 151353



FIRST USED	05 F36M
TITLE	DO NOT SCALE DRAWING
TITLE	WATER SYSTEM INSTL
SHEET 4	PART NO 151353