



DANGER

Danger of electrical shock, burns or death. Always remove all power sources before attempting any repair, service or diagnostic work. Power can be present from shore power, generator, inverter or battery. All power sources must be disabled and secured before performing any service.

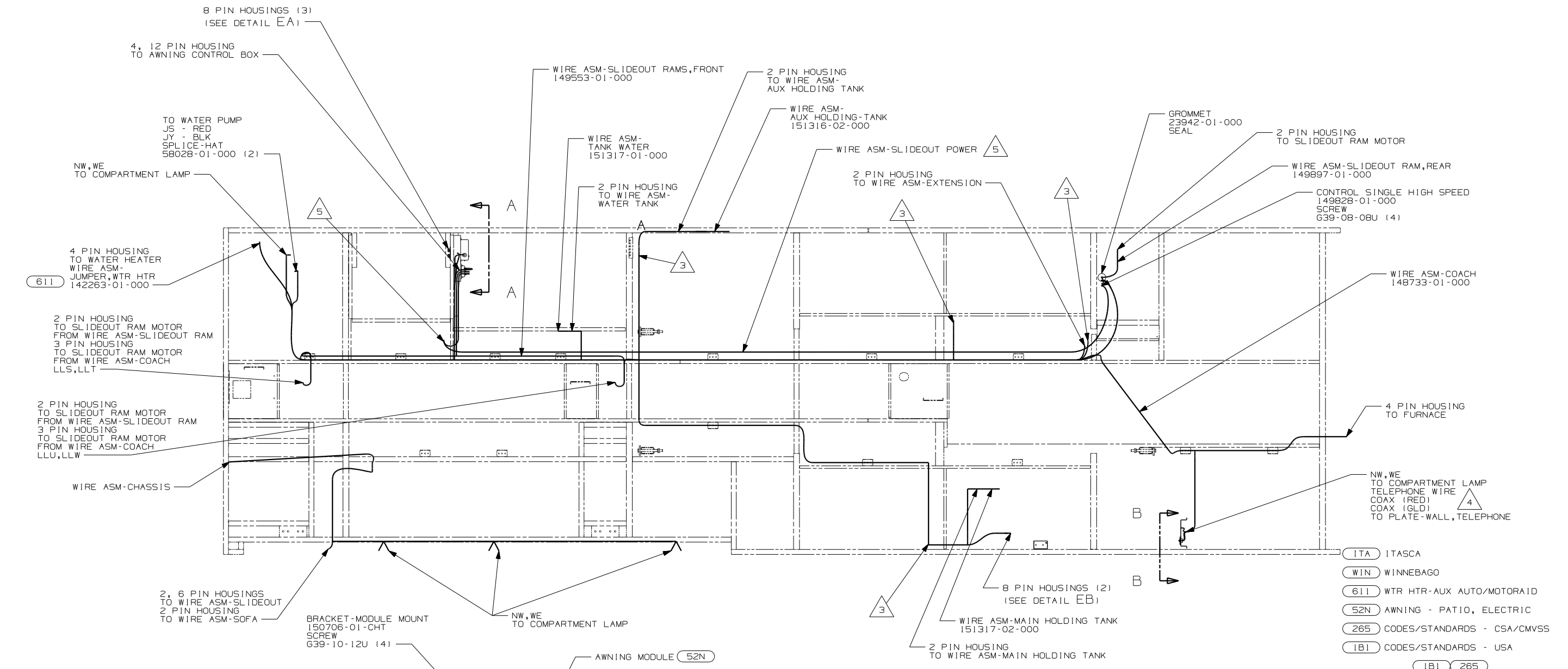


CAUTION

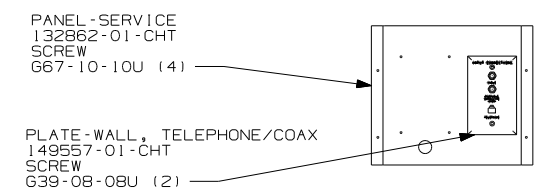
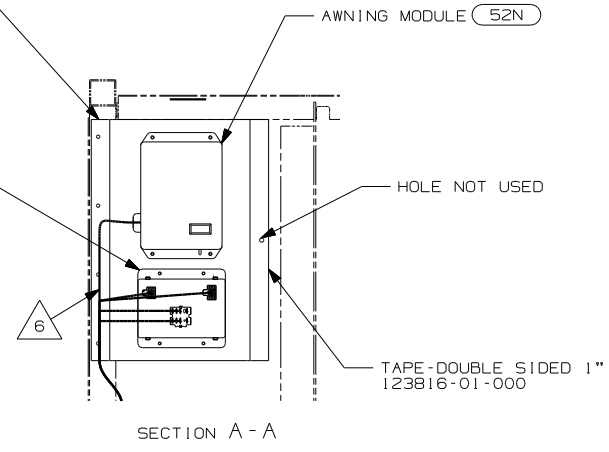
If you lack the skills, tools or equipment to perform diagnostic or repair work leave such work to an authorized Winnebago Industries dealer or other qualified shop.

DRAWING NO.	FEATURE
148476-01	(WIN)
148476-02	(ITA)

RELEASE	REV DATE	DWG NO
	A	148476
REV ZONE	REVISION RECORD	DATE
		DTR-0R16



- NOTES:
1. ALL WIRES TO BE CLAMPED WITH CLAMP 10495-01-000 OR WIRE TIE 8343-02-000 EVERY 600MM, UNLESS OTHERWISE SPECIFIED.
 2. SEE WIRING DIAGRAM-BODY, 12V FOR ADDITIONAL INFORMATION.
 3. WIRE PASSES THROUGH FLOOR AT THIS POINT.
 4. CONNECT TELEPHONE WIRES TO MATCHING COLORS ON PLATE-WALL, TELEPHONE.
 5. SEE CHASSIS ELECTRICAL BOX-ASM FOR ADDITIONAL INFORMATION.
 6. ROUTE WIRES AS SHOWN AND CLAMP AS NEEDED.



(ITA)	ITASCA
(WIN)	WINNEBAGO
(611)	WTR HTR-AUX AUTO/MOTOR/AID
(52N)	AWNING - PATIO, ELECTRIC
(265)	CODES/STANDARDS - CSA/CMVSS
(1B1)	CODES/STANDARDS - USA
(1B1)	(265)

WINNEBAGO COPYRIGHT 2004 WINNEBAGO INDUSTRIES, INC.

DTR	ORIG. DATE
CHKR	ALL DIMENSIONS ARE IN MILLIMETERS
P.E.	FIRST USED
M.E.	05 F35D
DSNR	

UNSPECIFIED TOLERANCES ARE:

WHOLE DIM (X)	: 1
ONE-PLACE (X.X)	: 1.5
TWO-PLACE (X.XX)	: 0.50
ANGLE	: 1°

THIRD ANGLE PROJECTION

DO NOT SCALE DRAWING

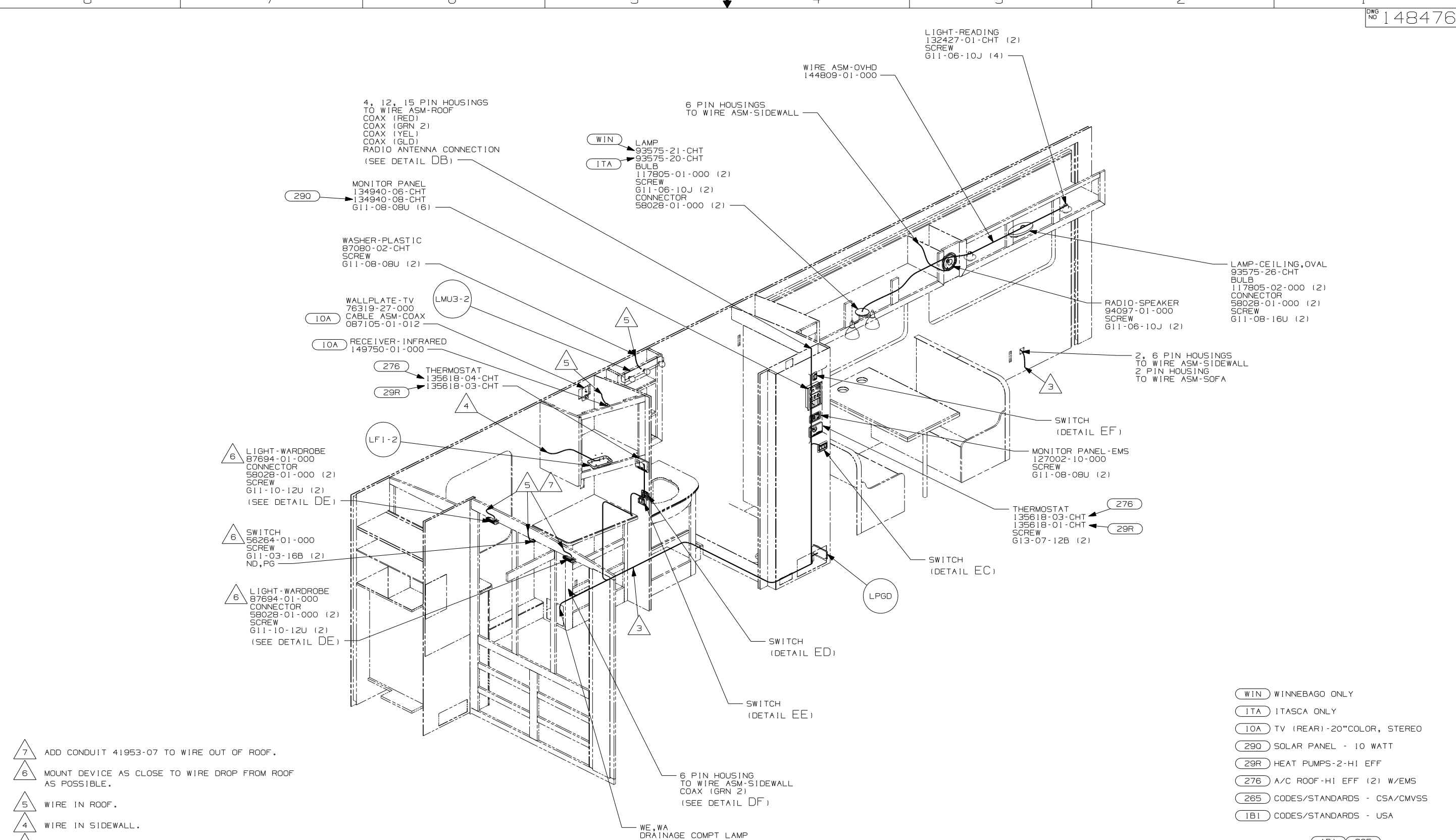
TITLE: **WIRING INSTL-BODY, 12V**

SHEET 1 of 7 PART NO. **148476**

REF: 144612 | 10/20/2004

FOR ELECTRICAL TORQUE SPECIFICATIONS SEE DWG NO. 128783-01-000

(X-X) FOR ELECTRICAL CALLOUTS SEE DWG NO. 121339-01-000



- △ 7 ADD CONDUIT 41953-07 TO WIRE OUT OF ROOF.
 - △ 6 MOUNT DEVICE AS CLOSE TO WIRE DROP FROM ROOF AS POSSIBLE.
 - △ 5 WIRE IN ROOF.
 - △ 4 WIRE IN SIDEWALL.
 - △ 3 WIRE PASSES THROUGH FLOOR AT THIS POINT.
2. SEE WIRING DIAGRAM-BODY, 12V FOR ADDITIONAL INFORMATION.
 1. ALL WIRES TO BE CLAMPED WITH CLAMP 10495-01-000 OR WIRE TIE 8343-02-000 EVERY 600MM, UNLESS OTHERWISE SPECIFIED.

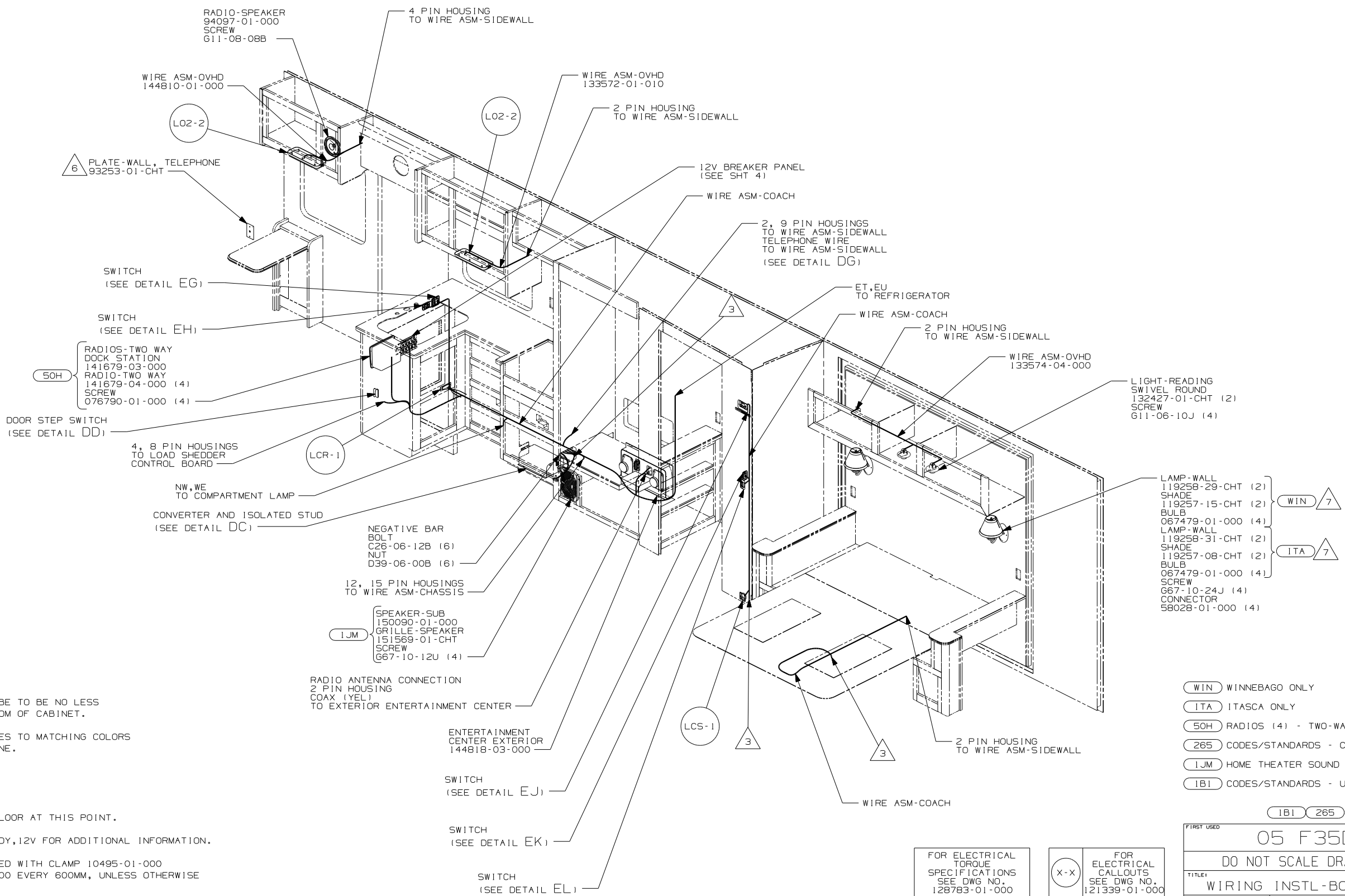
NOTES:

- (WIN) WINNEBAGO ONLY
- (ITA) ITASCA ONLY
- (10A) TV (REAR)-20"COLOR, STEREO
- (29Q) SOLAR PANEL - 10 WATT
- (29R) HEAT PUMPS-2-HI EFF
- (276) A/C ROOF-HI EFF (2) W/EMS
- (265) CODES/STANDARDS - CSA/CMVSS
- (1B1) CODES/STANDARDS - USA

FOR ELECTRICAL TORQUE SPECIFICATIONS SEE DWG NO. 128783-01-000

(X-X) FOR ELECTRICAL CALLOUTS SEE DWG NO. 121339-01-000

FIRST USED	05 F35D
TITLE	DO NOT SCALE DRAWING
	WIRING INSTL-BODY, 12V
SHEET 2	PART NO 148476



- 7 TOP OF LAMP SHADE/GLOBE TO BE NO LESS THAN 150MM BELOW BOTTOM OF CABINET.
 - 6 CONNECT TELEPHONE WIRES TO MATCHING COLORS ON PLATE-WALL, TELEPHONE.
 - 5 WIRE IN ROOF.
 - 4 WIRE IN SIDEWALL.
 - 3 WIRE PASSES THROUGH FLOOR AT THIS POINT.
2. SEE WIRING DIAGRAM-BODY, 12V FOR ADDITIONAL INFORMATION.
1. ALL WIRES TO BE CLAMPED WITH CLAMP 10495-01-000 OR WIRE TIE 8343-02-000 EVERY 600MM, UNLESS OTHERWISE SPECIFIED.

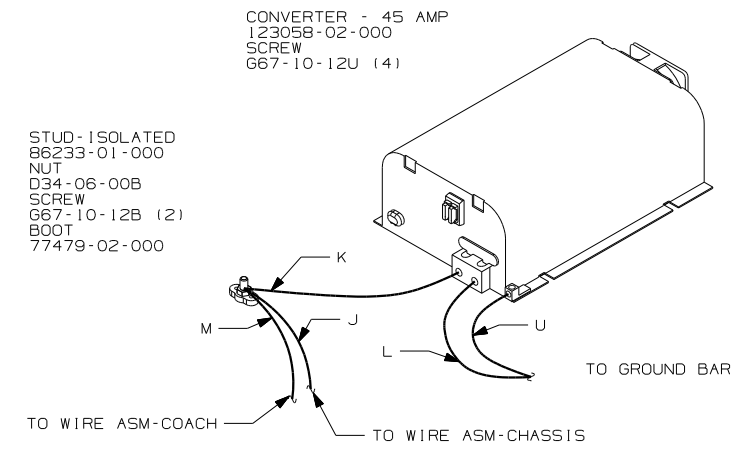
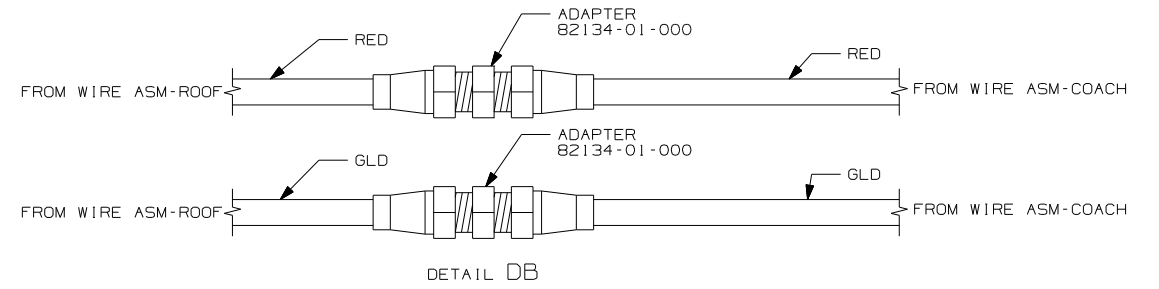
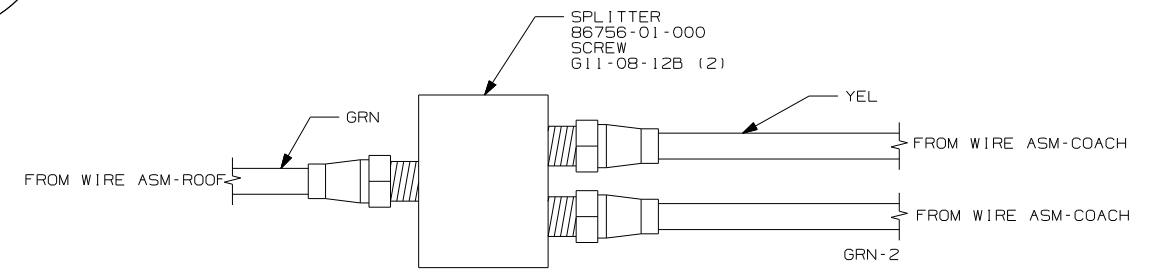
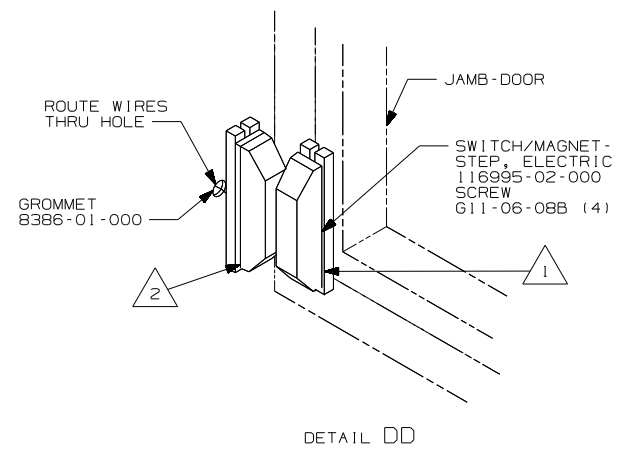
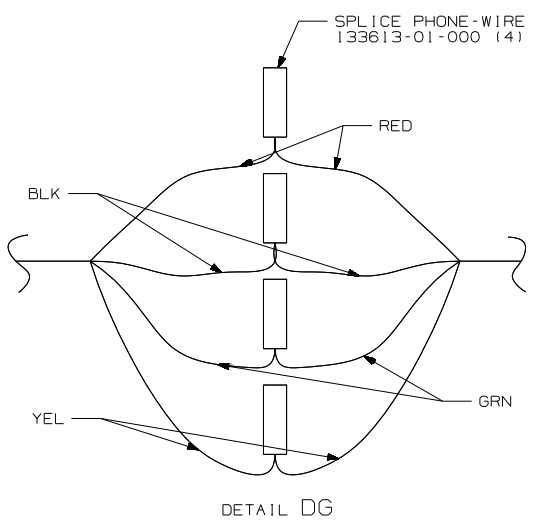
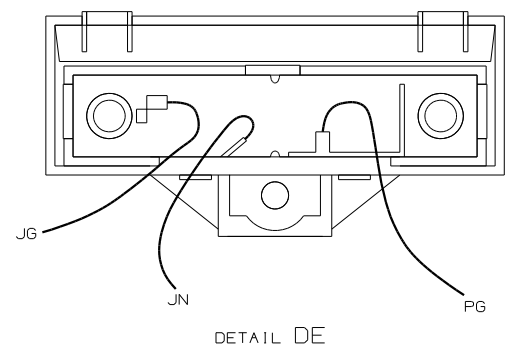
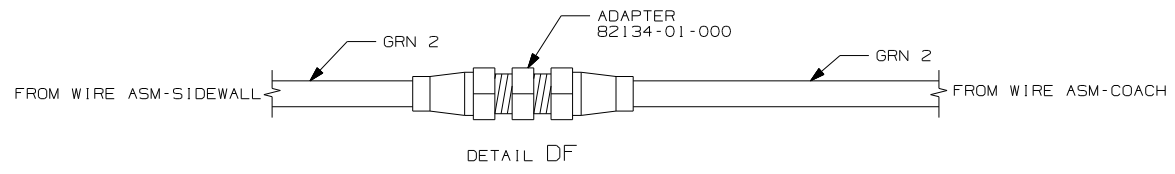
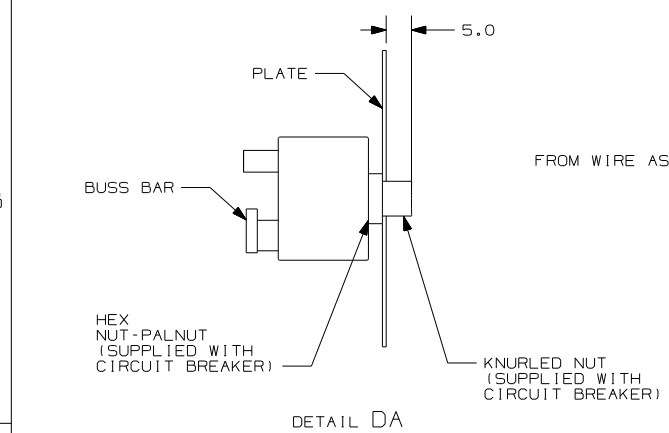
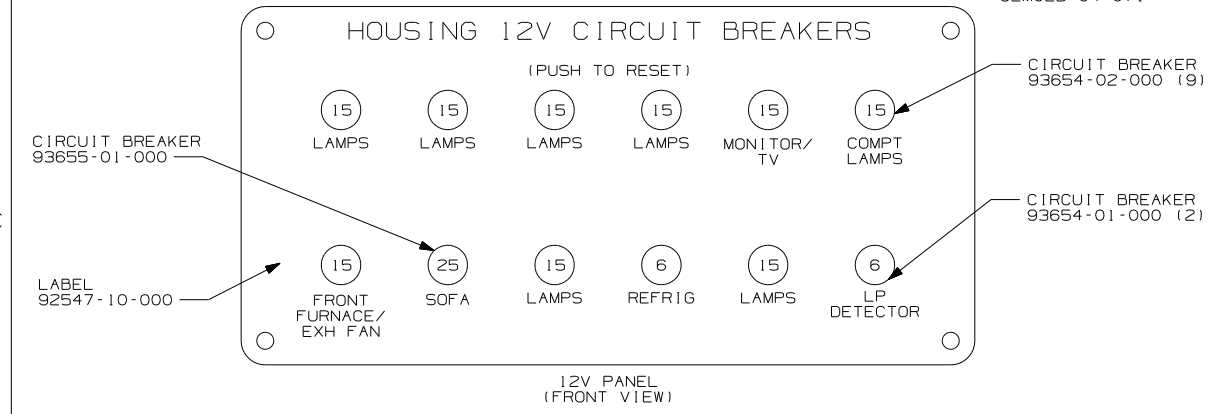
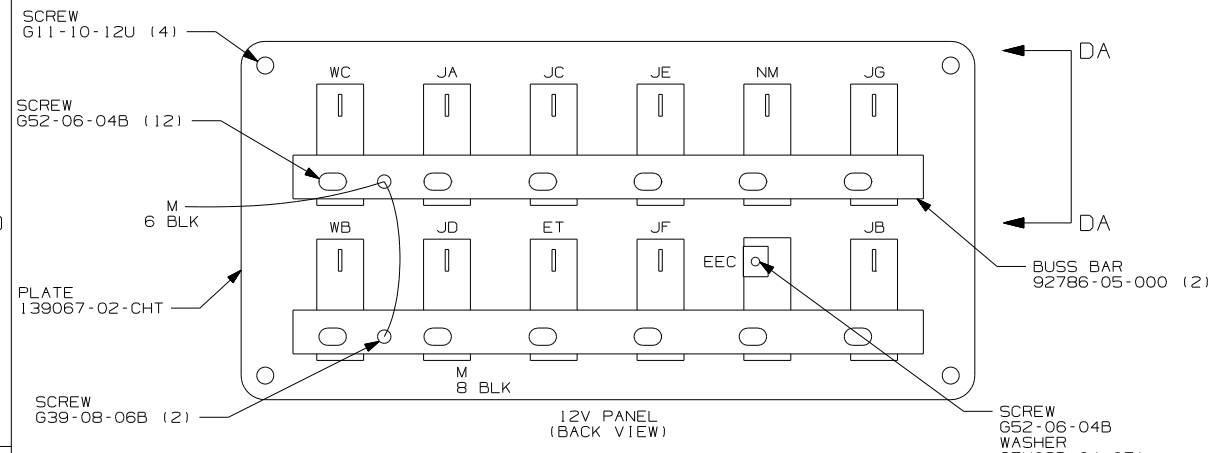
NOTES:

FOR ELECTRICAL TORQUE SPECIFICATIONS SEE DWG NO. 128783-01-000

FOR ELECTRICAL CALLOUTS SEE DWG NO. 121339-01-000

- WIN WINNEBAGO ONLY
- ITA ITASCA ONLY
- 50H RADIOS (4) - TWO-WAY
- 265 CODES/STANDARDS - CSA/CMVSS
- IJM HOME THEATER SOUND SYSTEM
- IBI CODES/STANDARDS - USA

FIRST USED	
05 F35D	
DO NOT SCALE DRAWING	
TITLE: WIRING INSTL-BODY, 12V	
SHEET 3	PART NO 148476



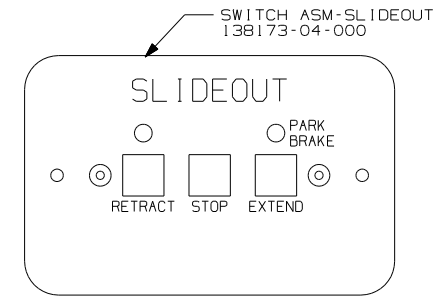
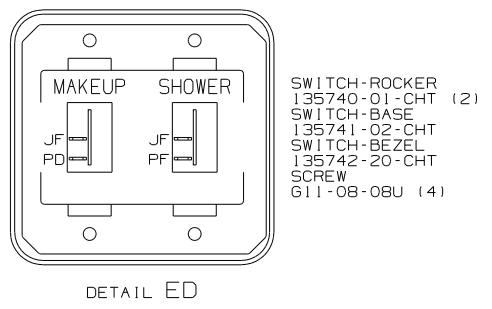
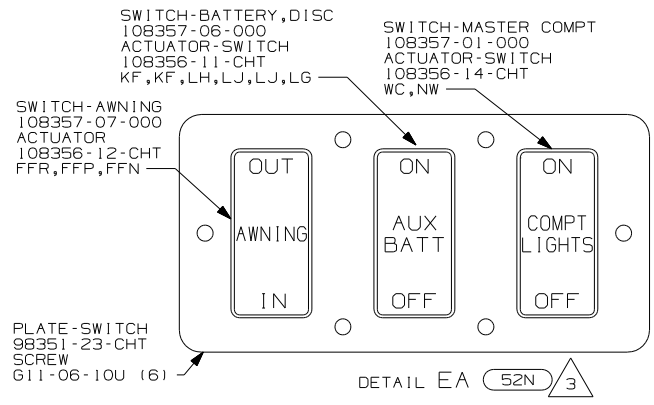
- NOTES:
- 3 FOR POSITIONING DIMENSIONS SEE WIRING INSTL-BODY, 110V SHT 4.
 - 2 MOUNT SWITCH AND SPACER TO BLOCK ON JAMB ADJUST HEIGHT TO MATCH MAGNET.
 - 1 MOUNT MAGNET USING PILOT HOLES IN SCREEN DOOR FRAME. MOUNT WITH MAGNET TOWARD SWITCH.

FOR ELECTRICAL TORQUE SPECIFICATIONS SEE DWG NO. 128783-01-000

FOR ELECTRICAL CALLOUTS SEE DWG NO. 121339-01-000

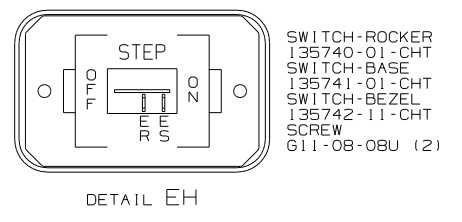
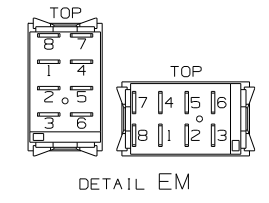
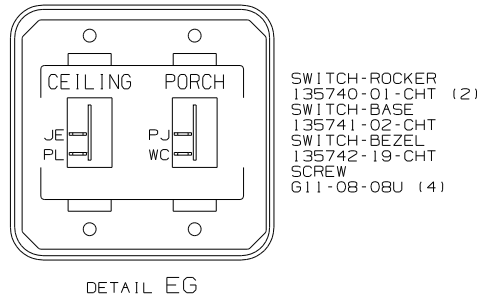
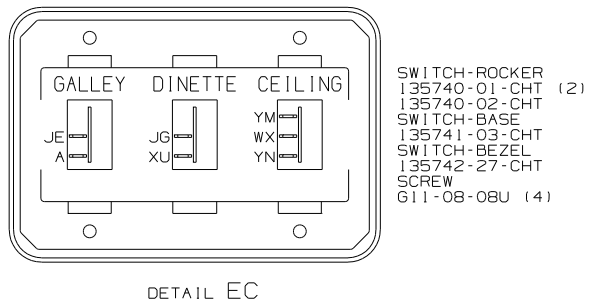
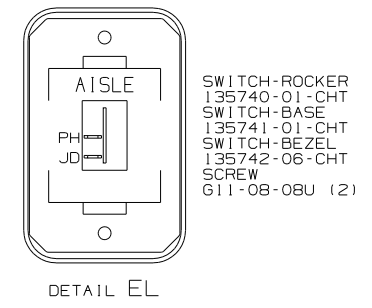
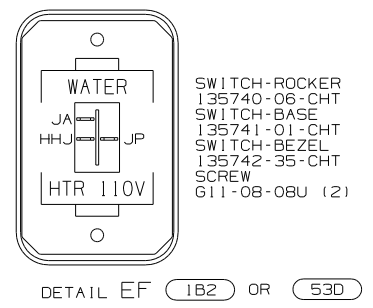
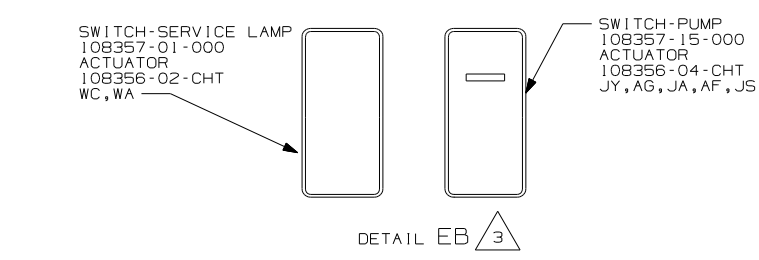
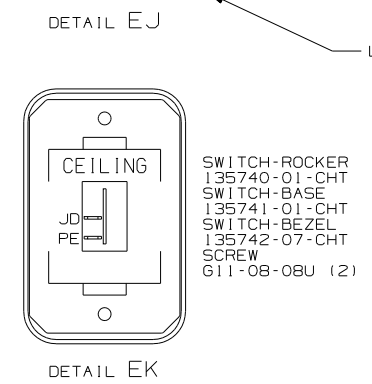
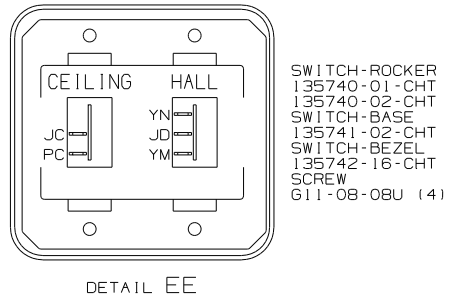
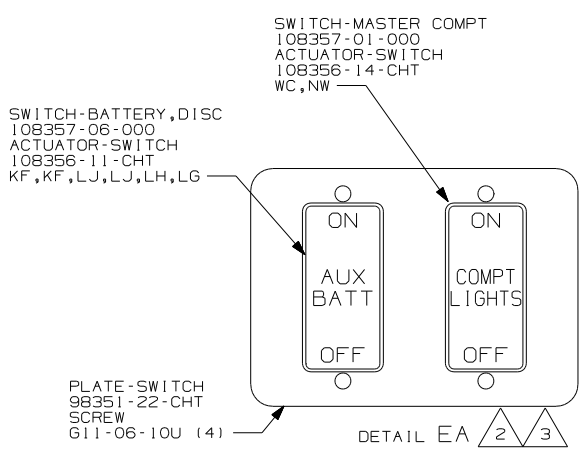
265 CODES/STANDARDS - CSA/CMVSS
 1B1 CODES/STANDARDS - USA

FIRST USED	05 F35D
TITLE	DO NOT SCALE DRAWING
TITLE	WIRING INSTL-BODY, 12V
SHEET 4	PART NO 148476



WARNING UNDERSTAND OPERATOR'S MANUAL BEFORE USING
KEEP PEOPLE AND OBSTRUCTIONS CLEAR OF
SLIDEOUT ROOM WHEN OPERATING TO AVOID
INJURY AND/OR PROPERTY DAMAGE

LABEL-WARNING
116549-01-000



- 53D WTR HTR-6GAL/ELE/LP/MOTORAID
- 52N AWNING - PATIO, ELECTRIC
- 265 CODES/STANDARDS - CSA/CMVSS
- 1B2 WTR HTR-10GAL/ELEC/LP/MTR AID
- 1B1 CODES/STANDARDS - USA

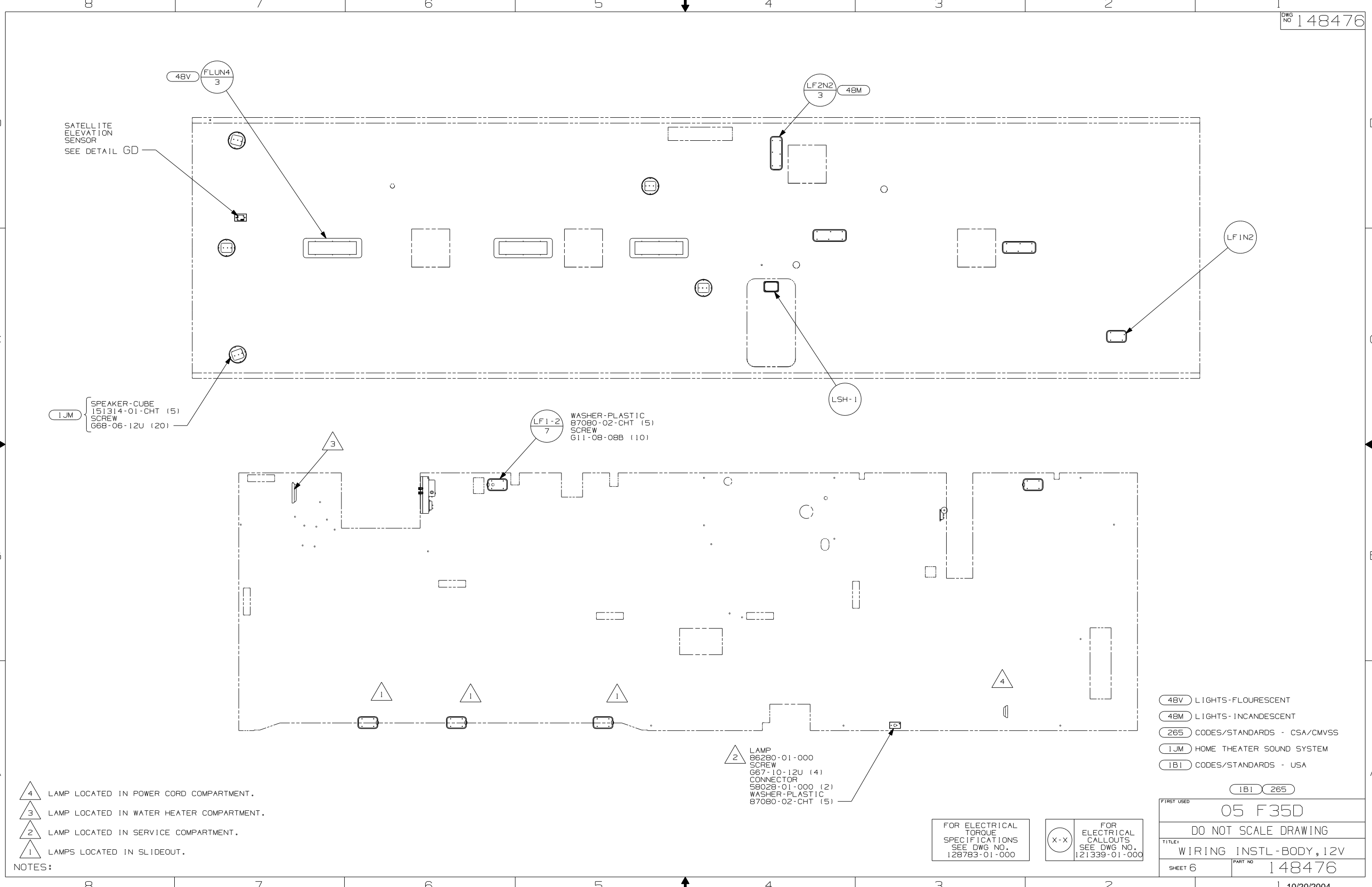
3 FOR SWITCH ORIENTATION SEE DETAIL EM.
2 WITHOUT 52N.

1. SWITCHES ARE TO BE INSTALLED AS SHOWN ON THIS DRAWING.
NOTES:

FOR ELECTRICAL
TORQUE
SPECIFICATIONS
SEE DWG NO.
128783-01-000

X-X FOR
ELECTRICAL
CALLOUTS
SEE DWG NO.
121339-01-000

FIRST USED	
05 F35D	
DO NOT SCALE DRAWING	
TITLE: WIRING INSTL-BODY,12V	
SHEET 5	PART NO 148476



SATELLITE ELEVATION SENSOR
SEE DETAIL GD

48V FLUN4
3

LF2N2 48M
3

LF1N2

1JM
SPEAKER-CUBE
151314-01-CHT (5)
SCREW
G68-06-12U (20)

LF1-2 7
WASHER-PLASTIC
87080-02-CHT (5)
SCREW
G11-08-08B (10)

LSH-1

3

2
LAMP
86280-01-000
SCREW
G67-10-12U (4)
CONNECTOR
58028-01-000 (2)
WASHER-PLASTIC
87080-02-CHT (5)

- 4 LAMP LOCATED IN POWER CORD COMPARTMENT.
- 3 LAMP LOCATED IN WATER HEATER COMPARTMENT.
- 2 LAMP LOCATED IN SERVICE COMPARTMENT.
- 1 LAMPS LOCATED IN SLIDEOUT.

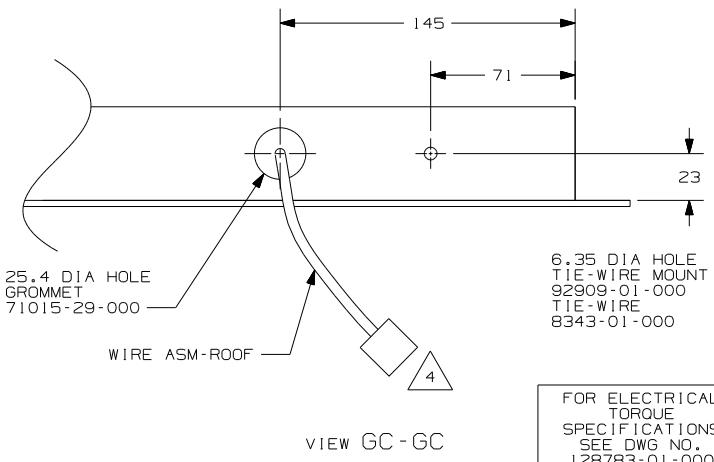
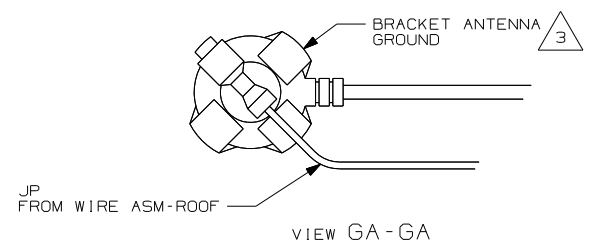
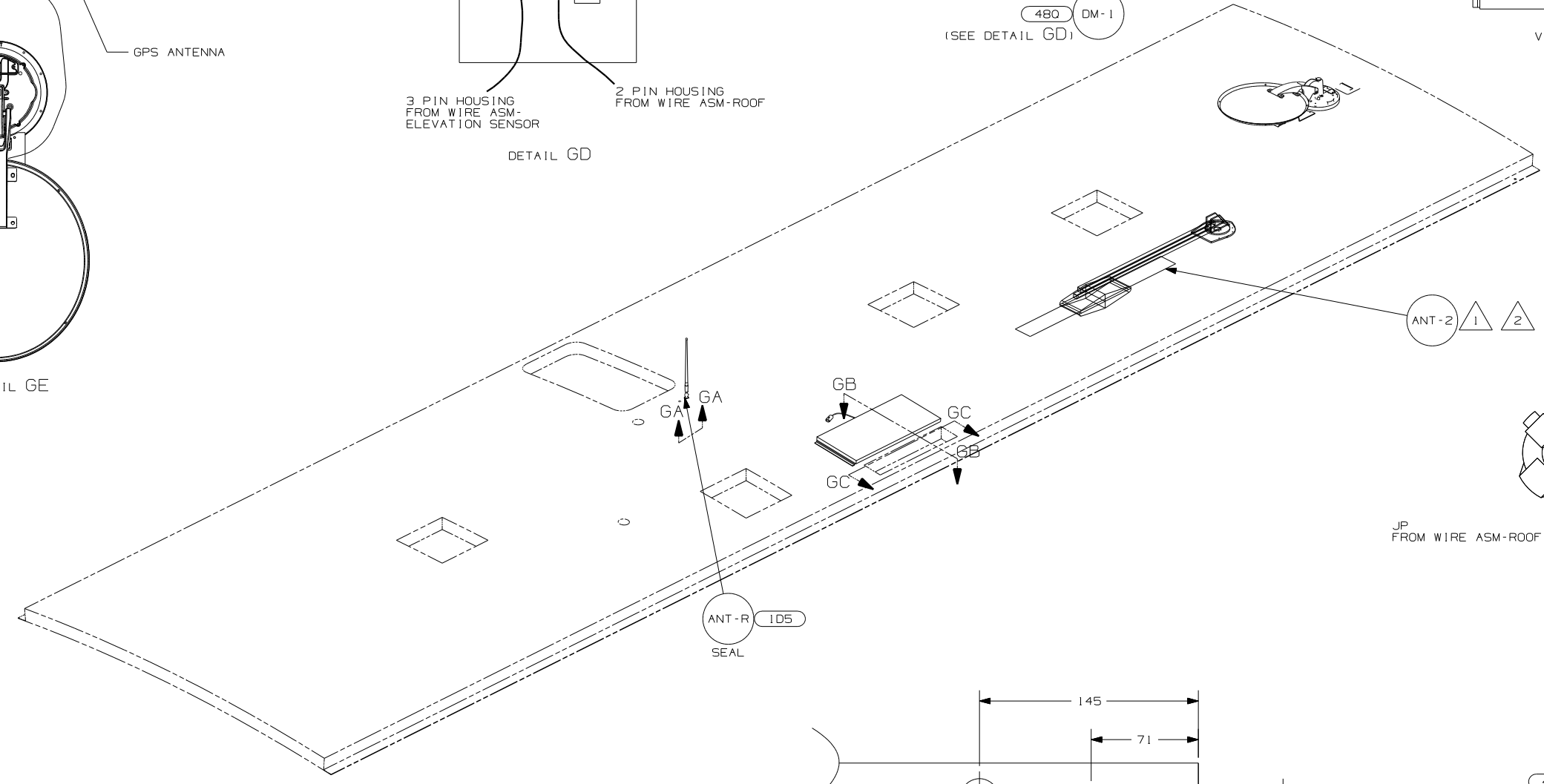
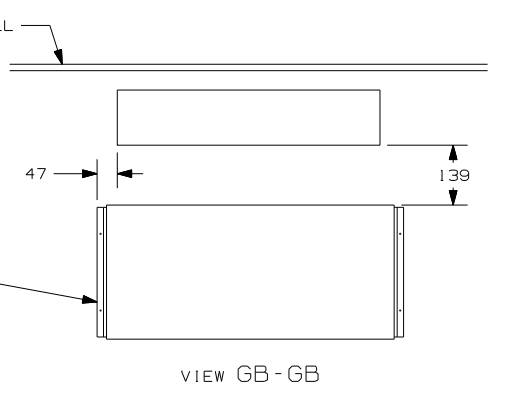
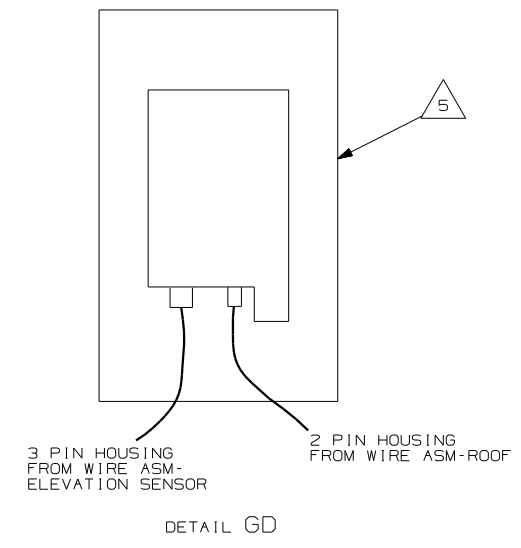
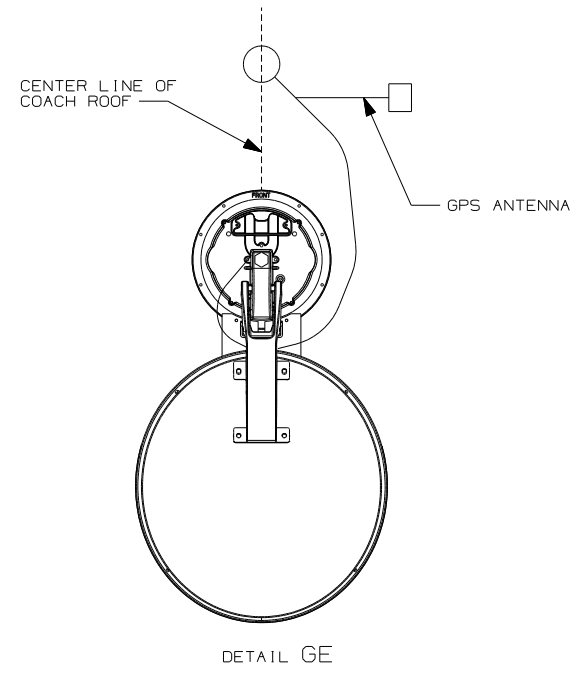
- 48V LIGHTS-FLOURESCENT
- 48M LIGHTS-INCANDESCENT
- 265 CODES/STANDARDS - CSA/CMVSS
- 1JM HOME THEATER SOUND SYSTEM
- 1B1 CODES/STANDARDS - USA

1B1 265

FIRST USED	05 F35D
TITLE	DO NOT SCALE DRAWING
SHEET 6	WIRING INSTL-BODY, 12V
PART NO	148476

FOR ELECTRICAL TORQUE SPECIFICATIONS SEE DWG NO. 128783-01-000

FOR ELECTRICAL CALLOUTS SEE DWG NO. 121339-01-000



6.35 DIA HOLE TIE-WIRE MOUNT 92909-01-000
TIE-WIRE 8343-01-000

- 480 SATELLITE DISH & ELEV.SENSOR
- 290 SOLAR PANEL-10 WATT
- 1D5 ENTERTAINMENT CENTR/EXT W/CD
- 265 CODES/STANDARDS - CSA/CMVSS
- 1B1 CODES/STANDARDS - USA

- NOTES:
- 5 SENSOR SUPPLIED WITH SATELLITE ASSEMBLY.
 - 4 FASTEN TO VENT.
 - 3 WRAP BRACKET LEGS AROUND ANTENNA BASE.
 - 2 ADD RUBBER BUMPERS TO ROOF UNDER EACH END OF ANTENNA TO PREVENT CONTACT WITH ROOF.
 - 1 SEE DWG 76319-01-000 FOR INSTALLATION OF TV ANTENNA.

FOR ELECTRICAL TORQUE SPECIFICATIONS SEE DWG NO. 128783-01-000

FOR ELECTRICAL CALLOUTS SEE DWG NO. 121339-01-000

FIRST USED	
05 F35D	
DO NOT SCALE DRAWING	
TITLE: WIRING INSTL-BODY,12V	
SHEET 7	PART NO 148476