



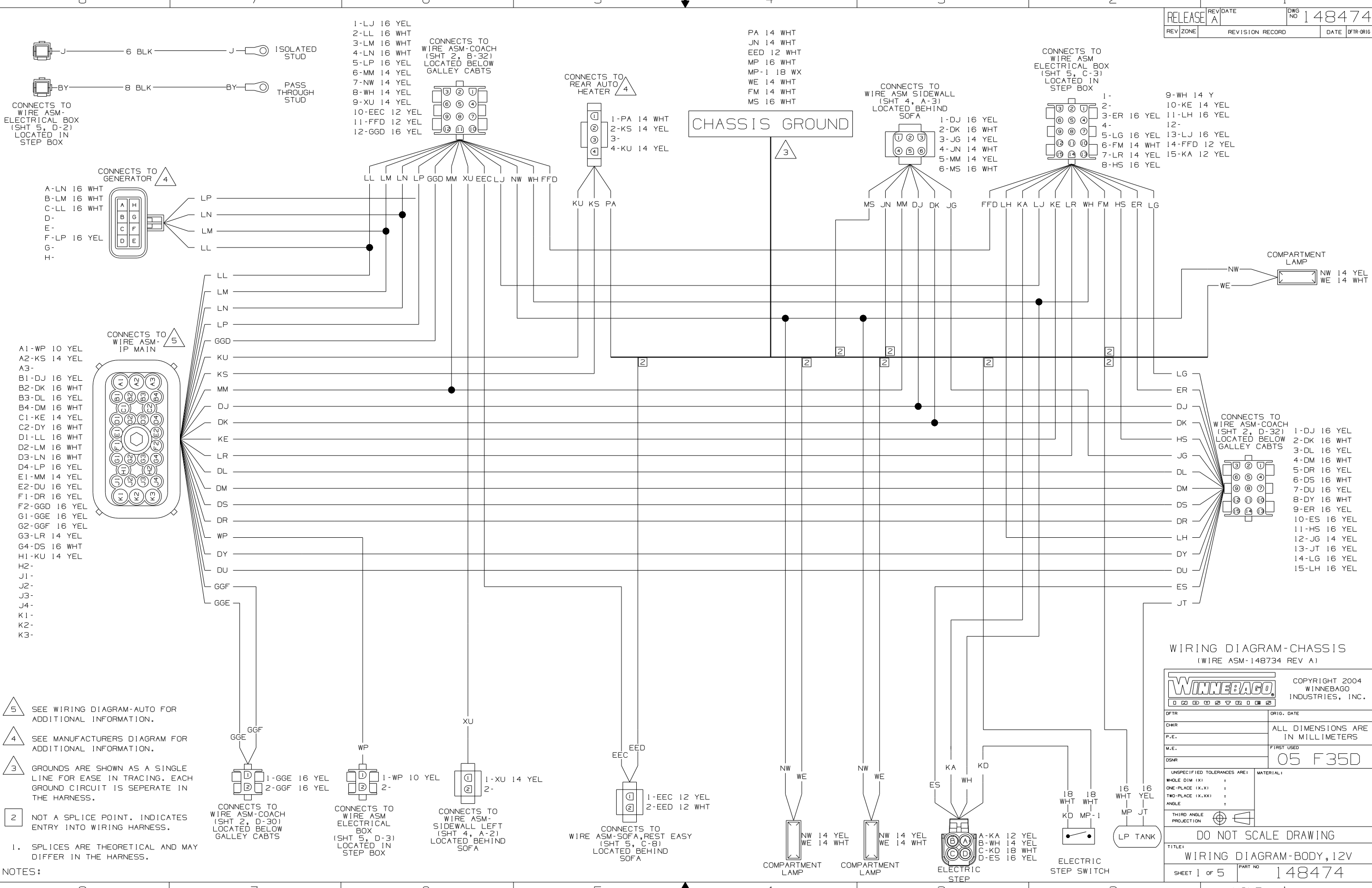
DANGER

Danger of electrical shock, burns or death. Always remove all power sources before attempting any repair, service or diagnostic work. Power can be present from shore power, generator, inverter or battery. All power sources must be disabled and secured before performing any service.



CAUTION

If you lack the skills, tools or equipment to perform diagnostic or repair work leave such work to an authorized Winnebago Industries dealer or other qualified shop.



- 5 SEE WIRING DIAGRAM-AUTO FOR ADDITIONAL INFORMATION.
 - 4 SEE MANUFACTURERS DIAGRAM FOR ADDITIONAL INFORMATION.
 - 3 GROUNDS ARE SHOWN AS A SINGLE LINE FOR EASE IN TRACING. EACH GROUND CIRCUIT IS SEPERATE IN THE HARNESS.
 - 2 NOT A SPLICE POINT. INDICATES ENTRY INTO WIRING HARNESS.
- NOTES:
 1. SPLICES ARE THEORETICAL AND MAY DIFFER IN THE HARNESS.

WIRING DIAGRAM-CHASSIS
 (WIRE ASM-148734 REV A)

WINNEBAGO
 COPYRIGHT 2004 WINNEBAGO INDUSTRIES, INC.

DFTR	ORIG. DATE
CHKR	ALL DIMENSIONS ARE IN MILLIMETERS
P.E.	
M.E.	FIRST USED
DSNR	05 F35D

UNSPECIFIED TOLERANCES ARE:
 WHOLE DIM (X) :
 ONE-PLACE (X.X) :
 TWO-PLACE (X.XX) :
 ANGLE :
 THIRD ANGLE PROJECTION

MATERIAL:

DO NOT SCALE DRAWING

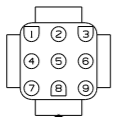
TITLE:
 WIRING DIAGRAM-BODY, 12V

SHEET 1 of 5 PART NO 148474

REF: NONE 1 6/9/2004

CONNECTS TO WIRE ASM-SIDEWALL (SHT 4, C-7) LOCATED BELOW GALLEY CABTS.

- 1-DL 16 YEL
- 2-DM 16 WHT
- 3-JE 14 YEL
- 4-MM 14 YEL
- 5-MS 14 WHT
- 6-NE 14 WHT
- 7-PJ 14 YEL
- 8-WE 14 WHT
- 9-

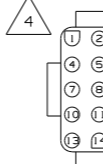


CONNECTS TO WIRE ASM-SIDEWALL (SHT 4, D-8) LOCATED BELOW GALLEY CABTS.

- 1-FFH 12 YEL
- 2-FFJ 12 WHT



CONNECTS TO AWNING CONTROL BOX



- 1-FFD 12 YEL
- 2-FFE 12 WHT
- 3-WH 14 YEL
- 4-
- 5-FFN 12 YEL
- 6-
- 7-
- 8-FFJ 12 WHT
- 9-
- 10-FFR 12 YEL
- 11-
- 12-
- 13-FFH 12 YEL
- 14-
- 15-FFP 12 YEL

CONNECTS TO AWNING SWITCH

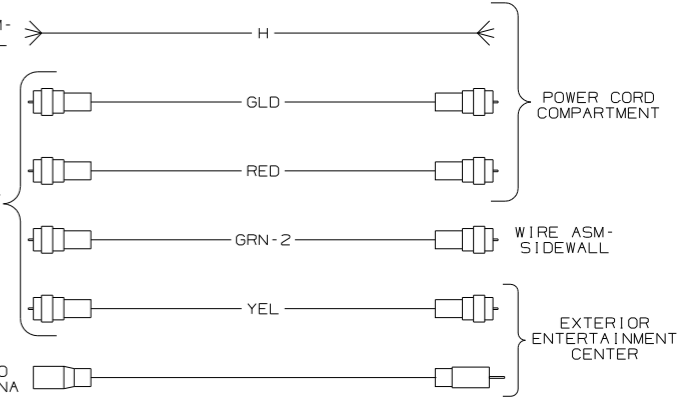


- 1-FFR 12 YEL
- 2-FFP 12 YEL
- 3-FFN 12 YEL
- 4-
- 5-
- 6-
- 7-
- 8-

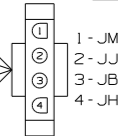
WIRE ASM-SIDEWALL

WIRE ASM-ROOF

RADIO ANTENNA

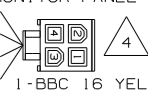


CONNECTS TO FURNACE

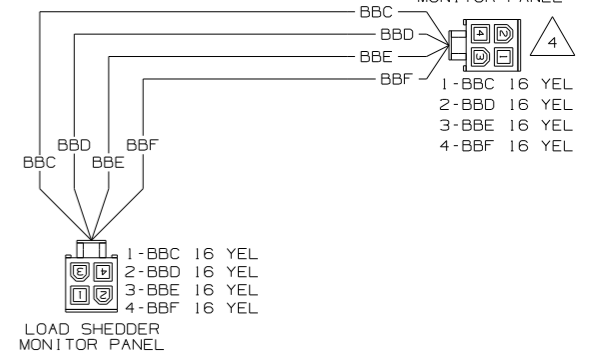


- 1-JM 14 WHT
- 2-JJ 14 YEL
- 3-JB 14 YEL
- 4-JH 14 YEL

CONNECTS TO LOAD SHEDDER MONITOR PANEL



- 1-BBC 16 YEL
- 2-BBD 16 YEL
- 3-BBE 16 YEL
- 4-BBF 16 YEL

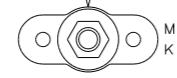


WIRING DIAGRAM-COACH (WIRE ASM-148733 REV D)

FIRST USED	05 F35D	
TITLE	DO NOT SCALE DRAWING	
	WIRING DIAGRAM-BODY, 12V	
SHEET 2	PART NO	148474

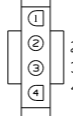


- U 8 GRN
- L 6 GRN
- K 6 BLK



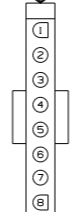
- M 6 BLK
- K 6 BLK

CONNECTS TO REAR THERMOSTAT



- 1-DD 16 YEL
- 2-BBH 16 YEL
- 3-JP 14 WHT
- 4-GGS 16 YEL

CONNECTS TO LOAD SHEDDER CONTROL BOARD

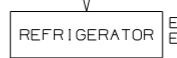


- 1-JA 12 YEL
- 2-JP 14 WHT
- 3-
- 4-BBJ 16 YEL
- 5-DD 16 YEL
- 6-BBH 16 YEL
- 7-JA 12 YEL
- 8-LP 16 YEL

CONNECTS TO EXTERIOR ENTERTAINMENT CENTER



- 1-JA 12 YEL
- 2-JP 14 WHT



- ET 16 YEL
- EU 16 WHT

- 1-PD 14 YEL
- 2-PE 14 YEL
- 3-PF 14 YEL
- 4-PL 14 YEL
- 5-WX 14 YEL
- 6-XP 16 YEL
- 7-XR 16 YEL
- 8-XS 16 YEL
- 9-BBJ 16 YEL
- 10-GGR 16 YEL
- 11-GGS 16 YEL
- 12-

CONNECTS TO WIRE ASM-ROOF (SHT 3, C-16) LOCATED BEHIND MONITOR PANEL

LOUNGE CEILING LAMP SWITCH

CONNECTS TO WIRE ASM-SIDEWALL (SHT 5, A-8) LOCATED BELOW HEAD OF BED

12V BREAKER PANEL

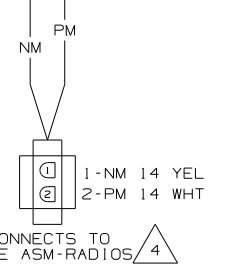
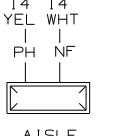
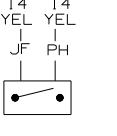
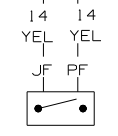
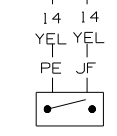
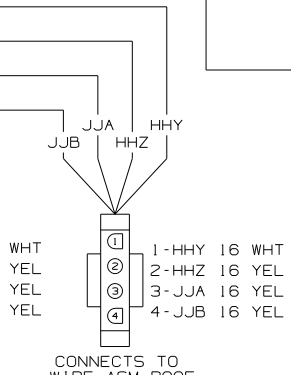
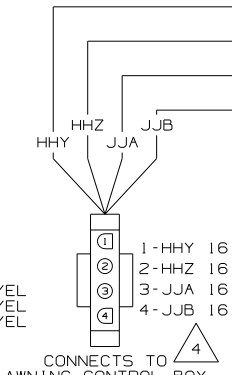
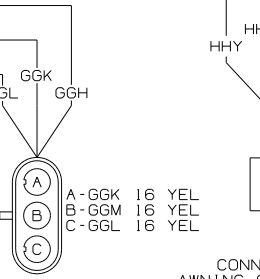
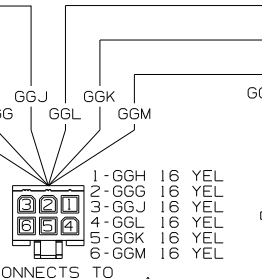
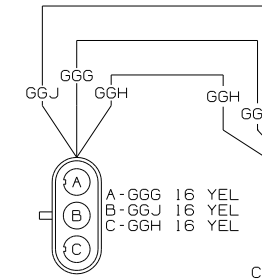
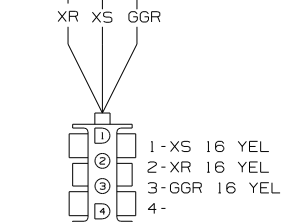
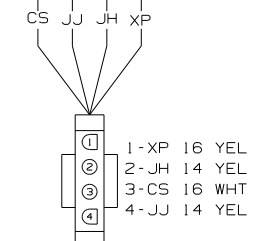
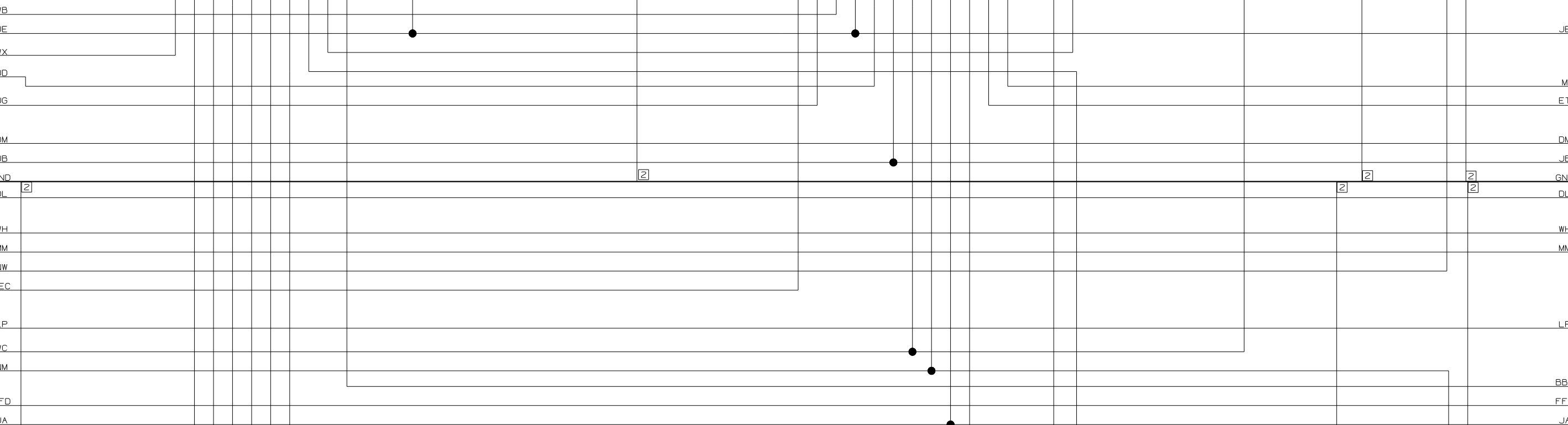
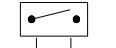
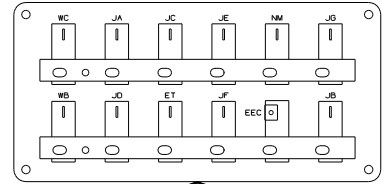
MAKEUP LAMP SWITCH

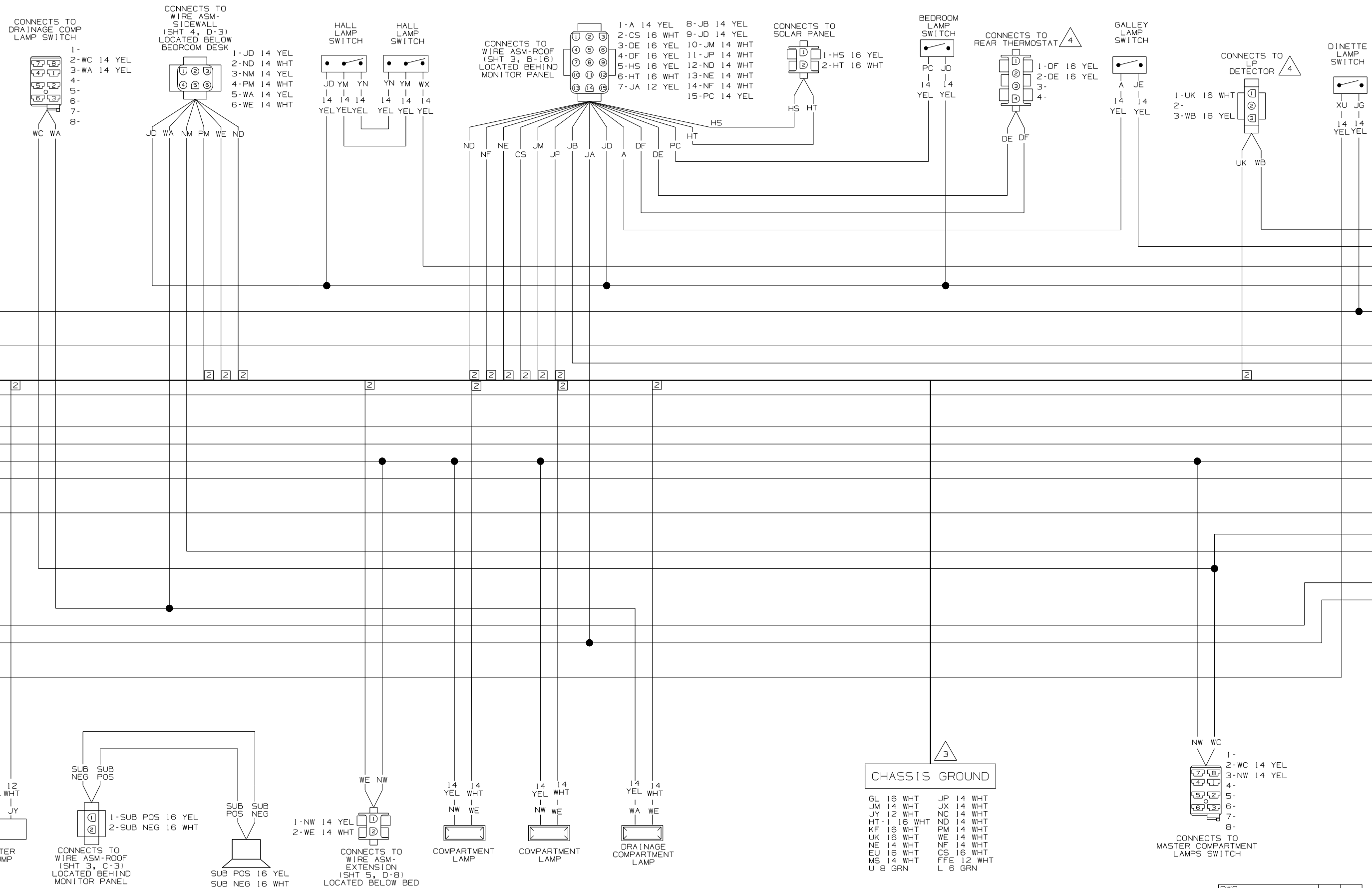
PORCH STEP LAMP SWITCH

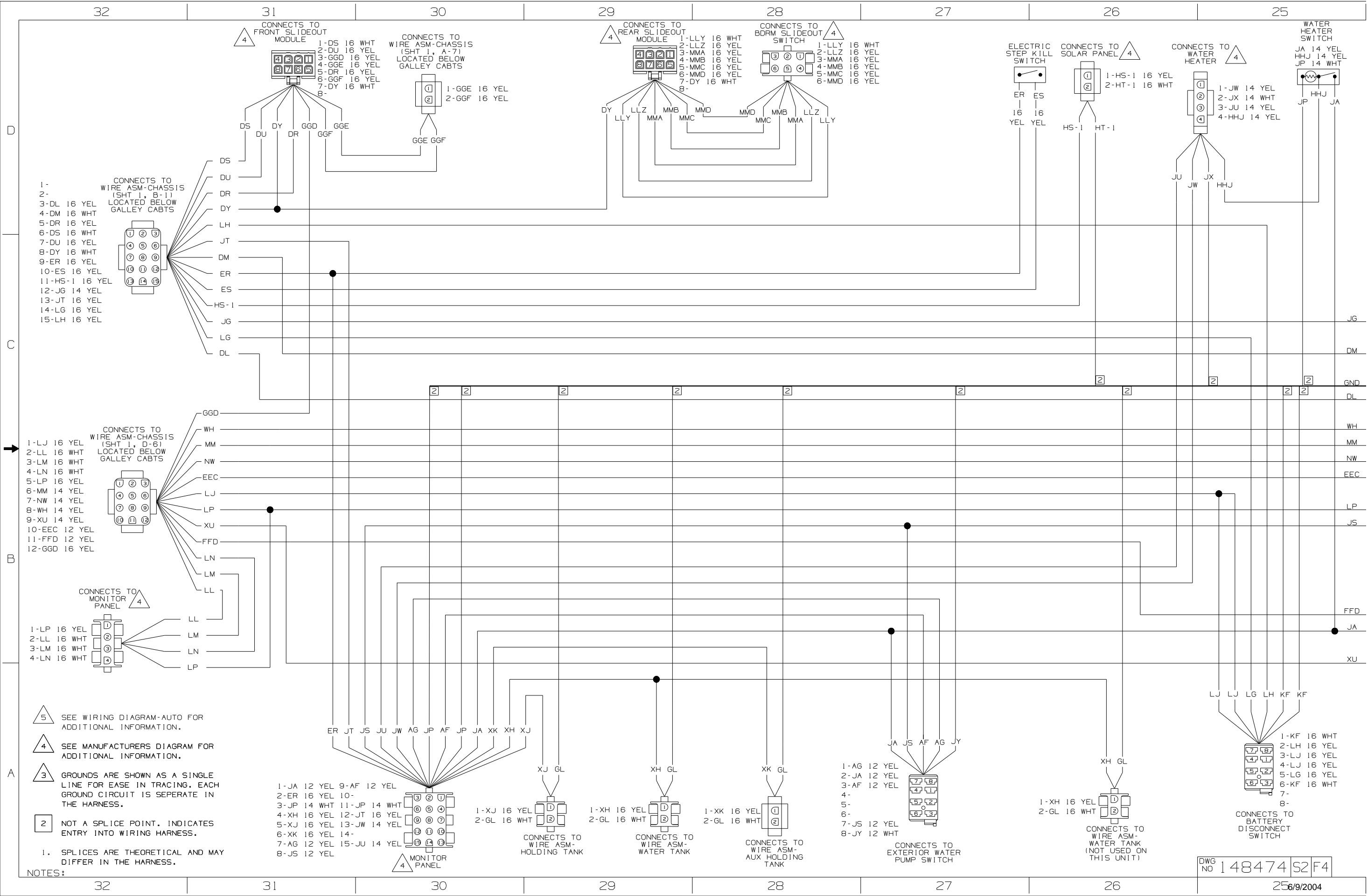
STEP LAMP

COMPARTMENT LAMP

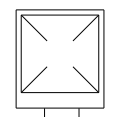
- WB 16 YEL
- WC 14 YEL
- EEC 12 YEL
- JA 12 YEL
- JB 14 YEL
- JC 14 YEL
- JD 14 YEL
- JE 14 YEL
- JF 14 YEL
- NM 14 YEL
- ET 16 YEL
- JG 14 YEL
- M 6 BLK



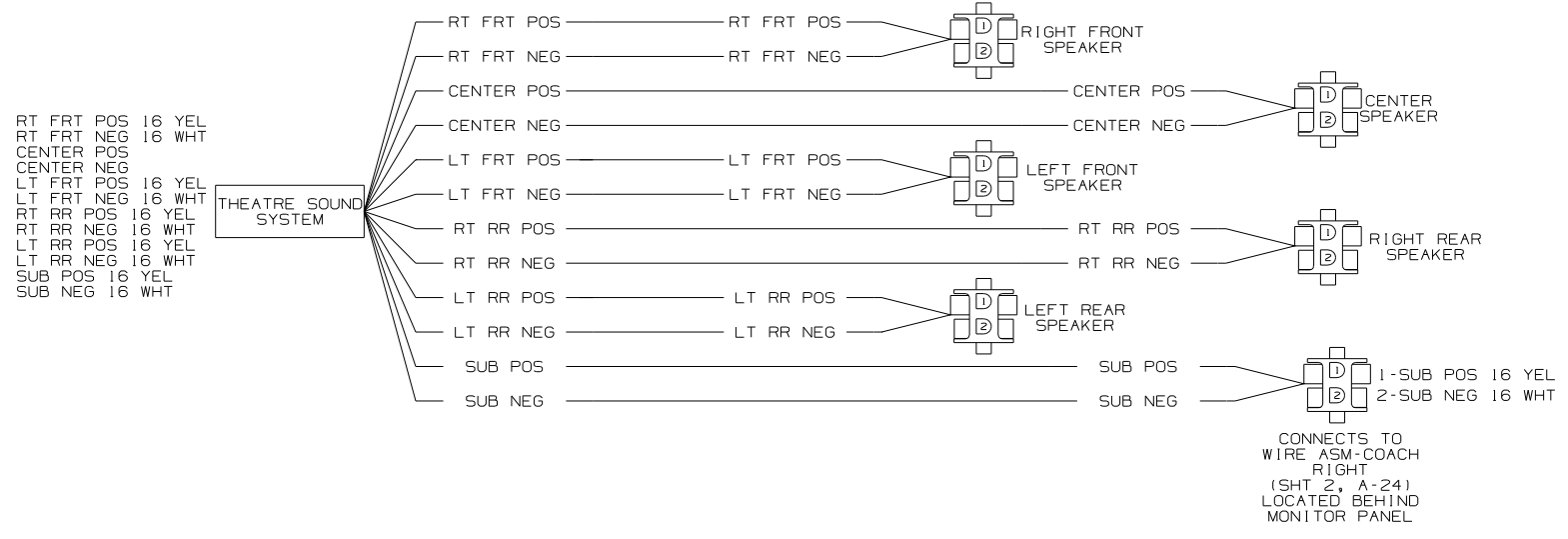




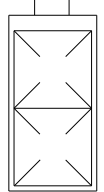
TOILET
CEILING
LAMP



PF NF
14 14
YEL WHT

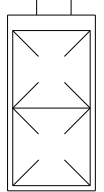


14 14
WHT YEL
NE A



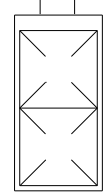
GALLEY
CEILING
LAMP

14 14
WHT YEL
NE A



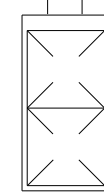
DINETTE
CEILING
LAMP

14 14
WHT YEL
ND PC



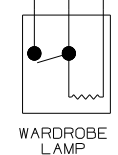
BEDROOM
CEILING
LAMP

14 14
YEL WHT
PC ND



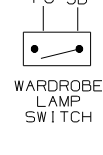
BEDROOM
CEILING
LAMP

14 14 14
YEL YEL WHT
JD PG ND



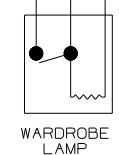
WARDROBE
LAMP

14 14
YEL YEL
PG JD



WARDROBE
LAMP
SWITCH

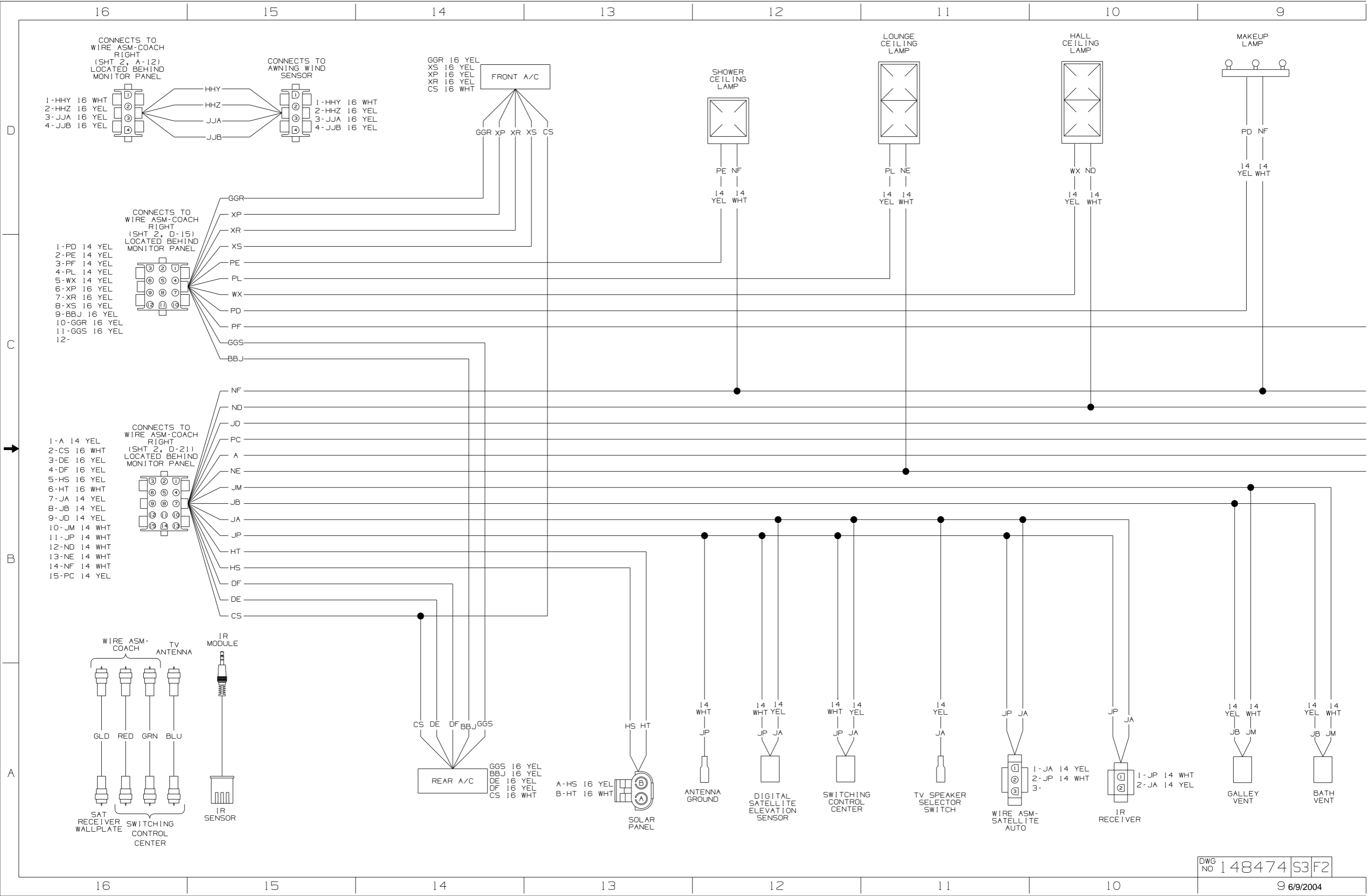
14 14 14
YEL YEL WHT
JD PG ND

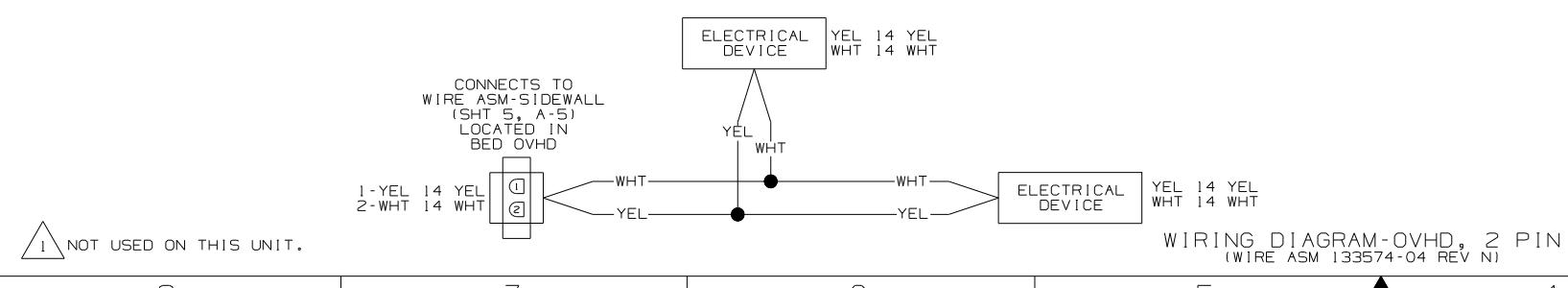
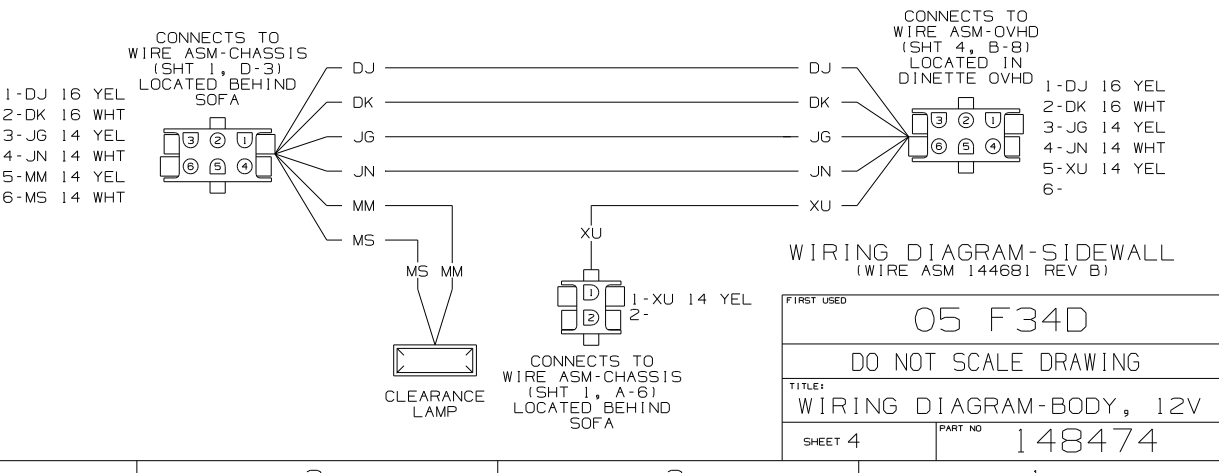
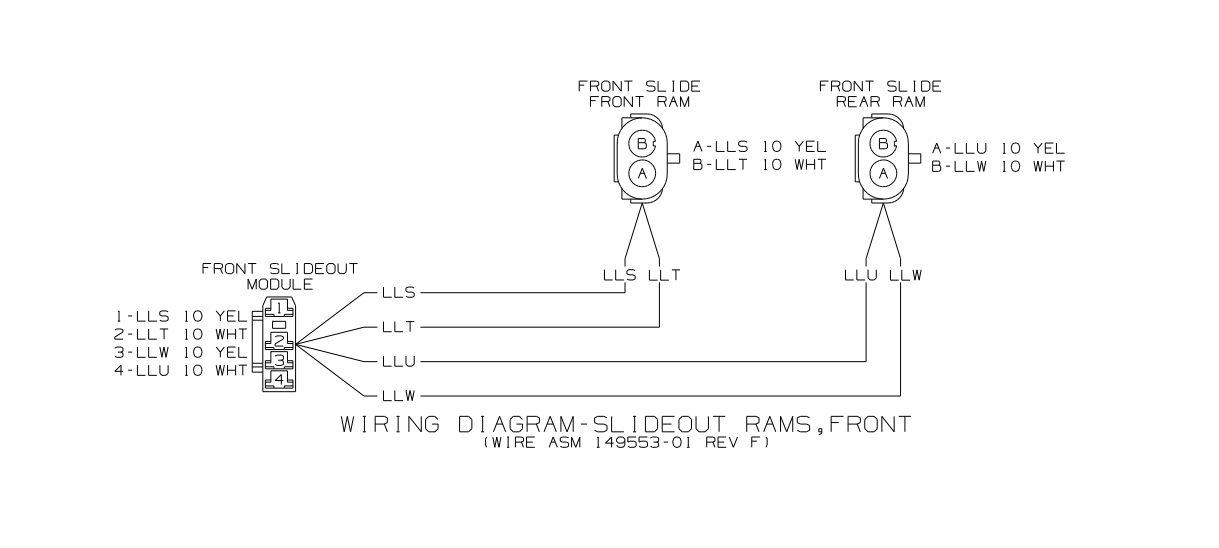
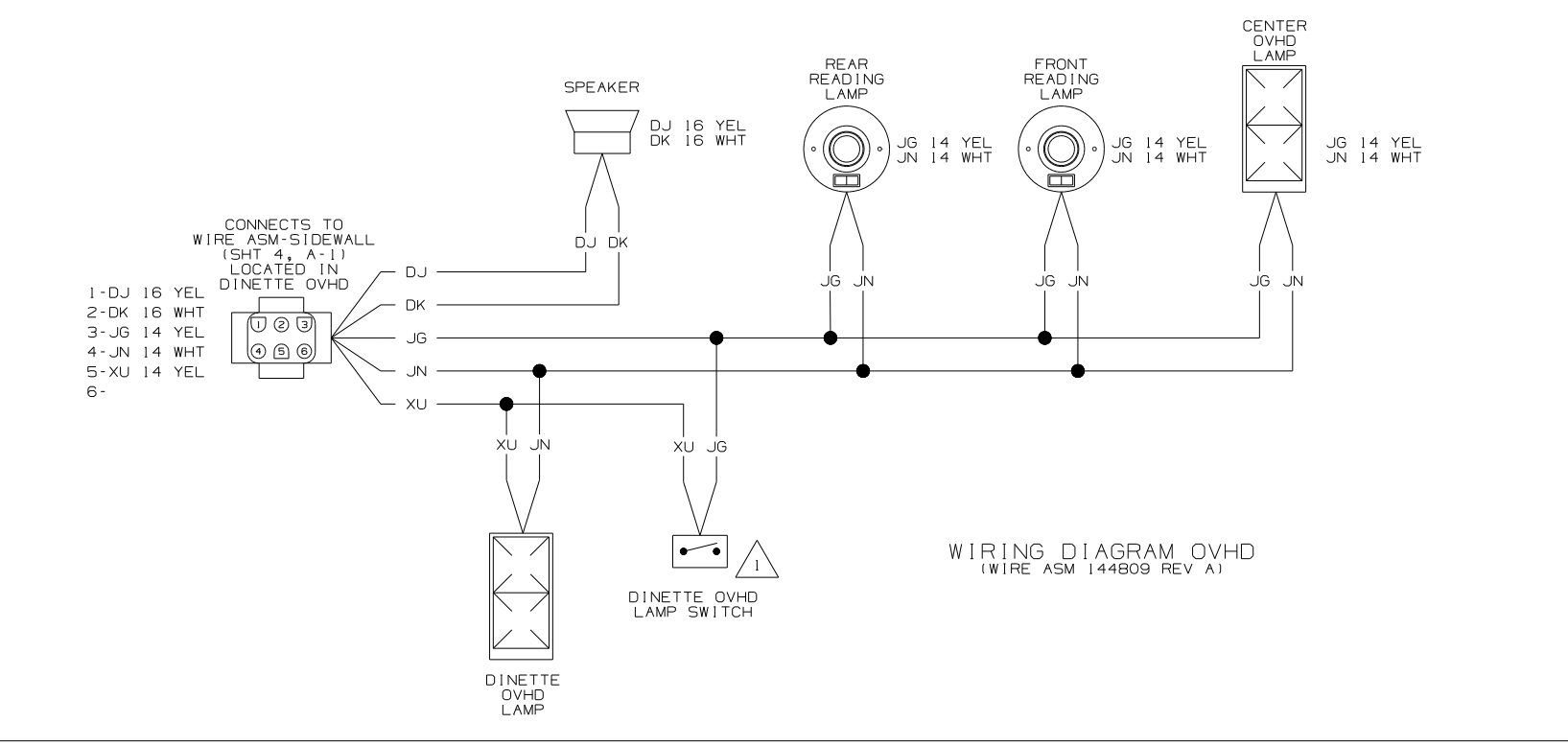
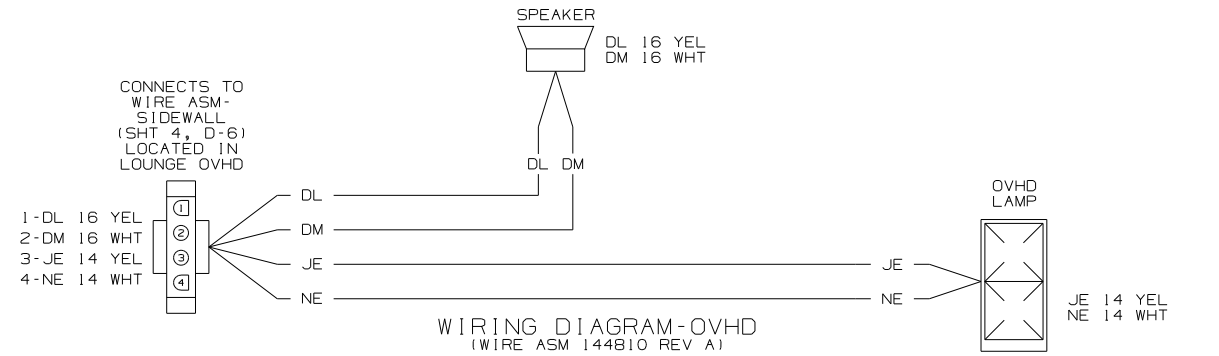
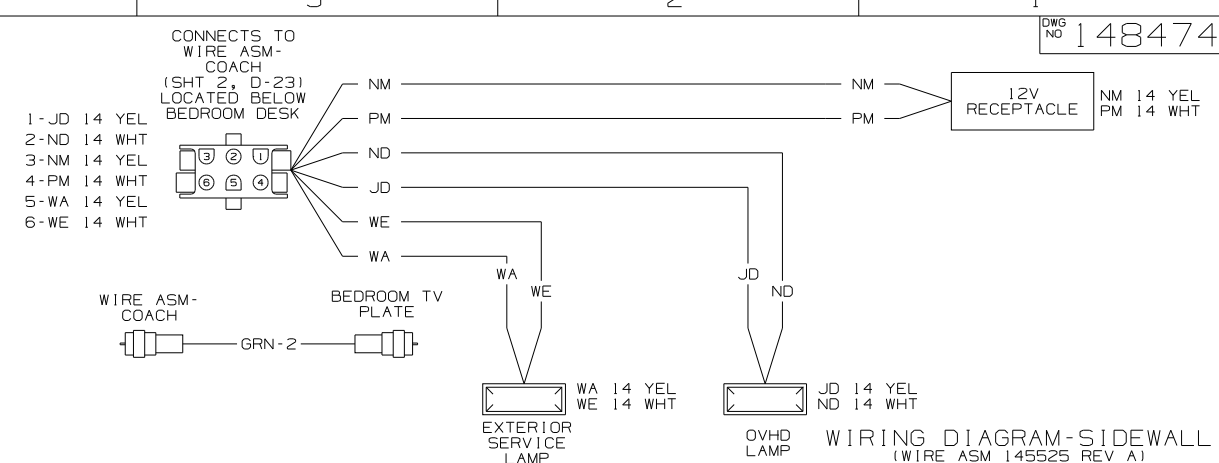
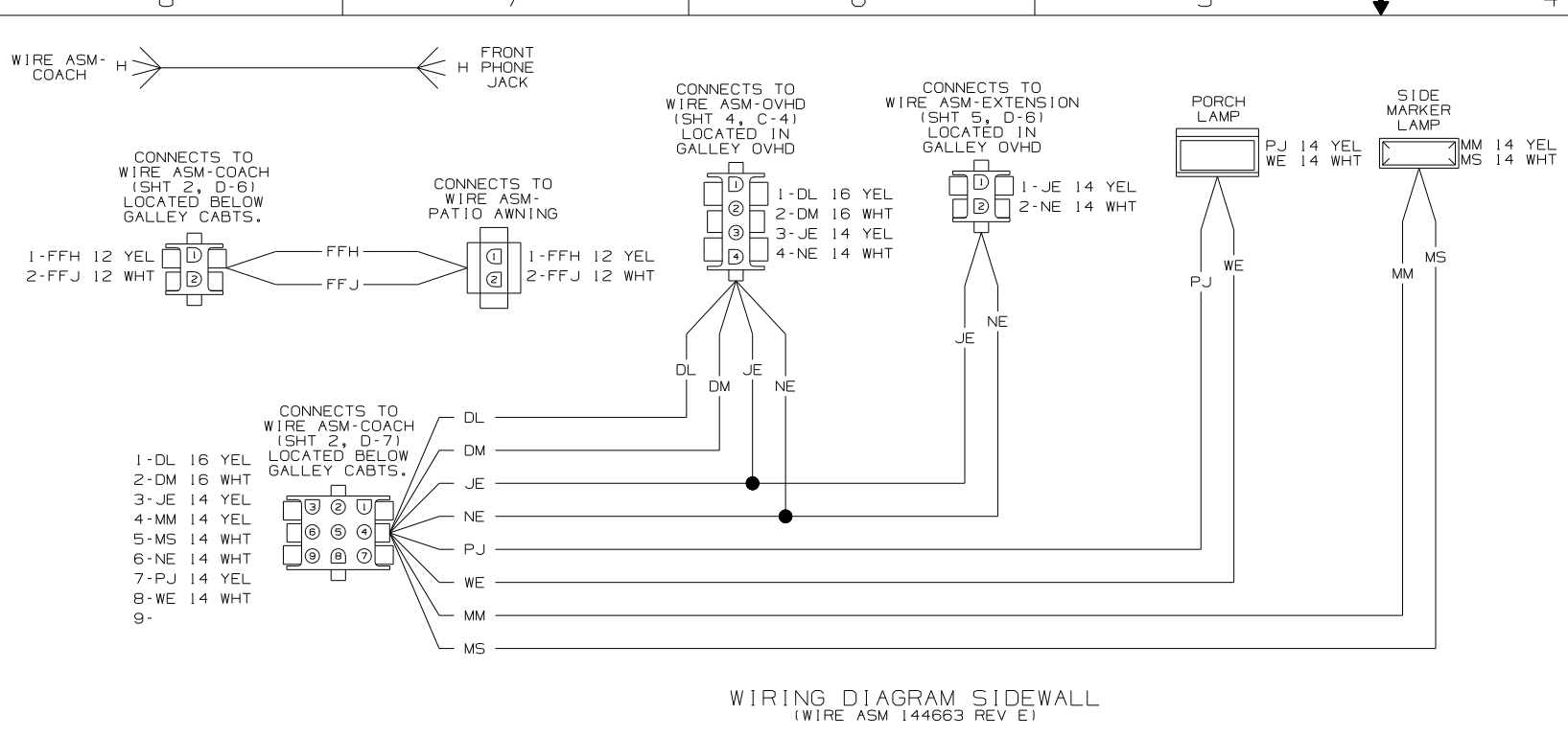


WARDROBE
LAMP

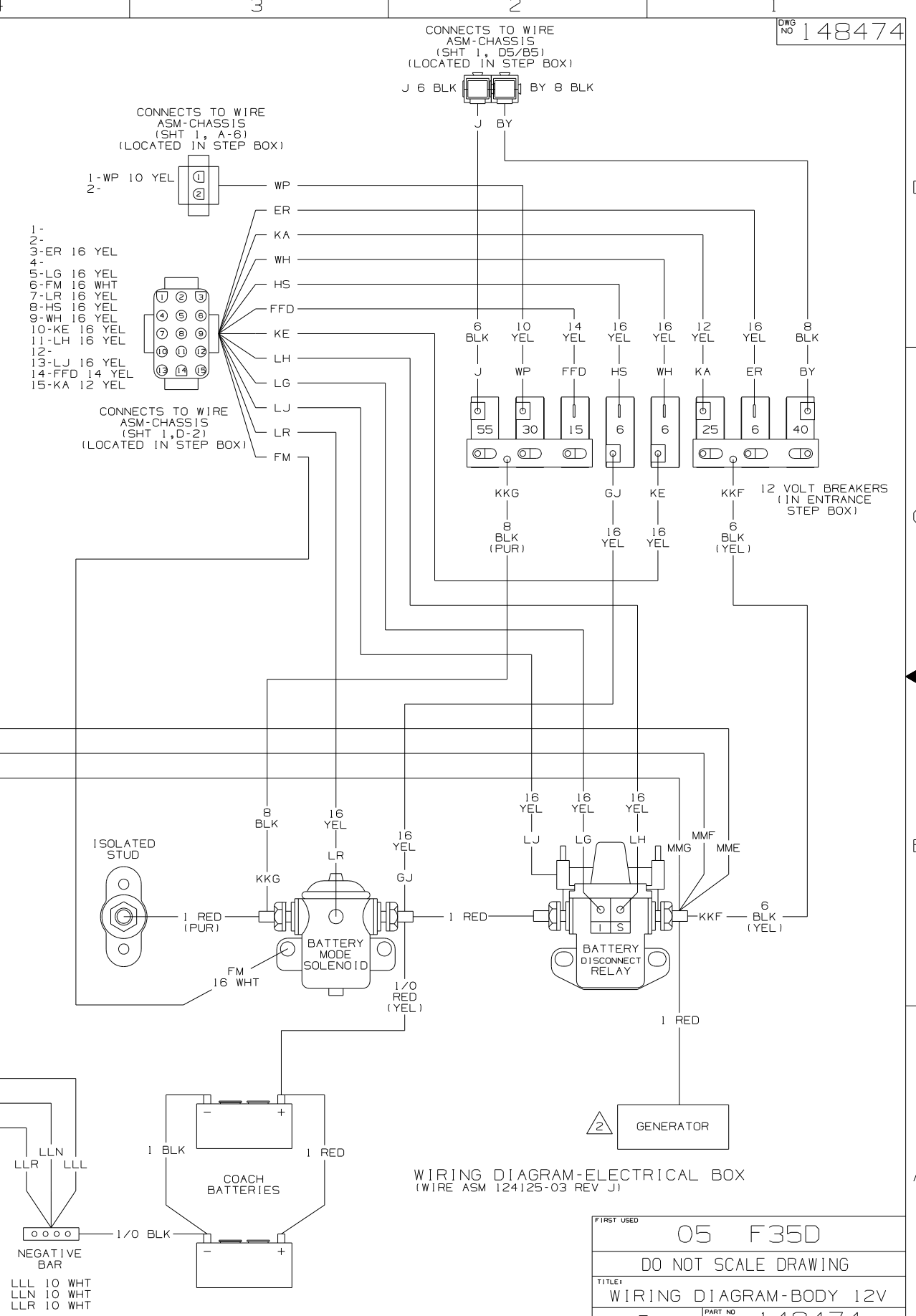
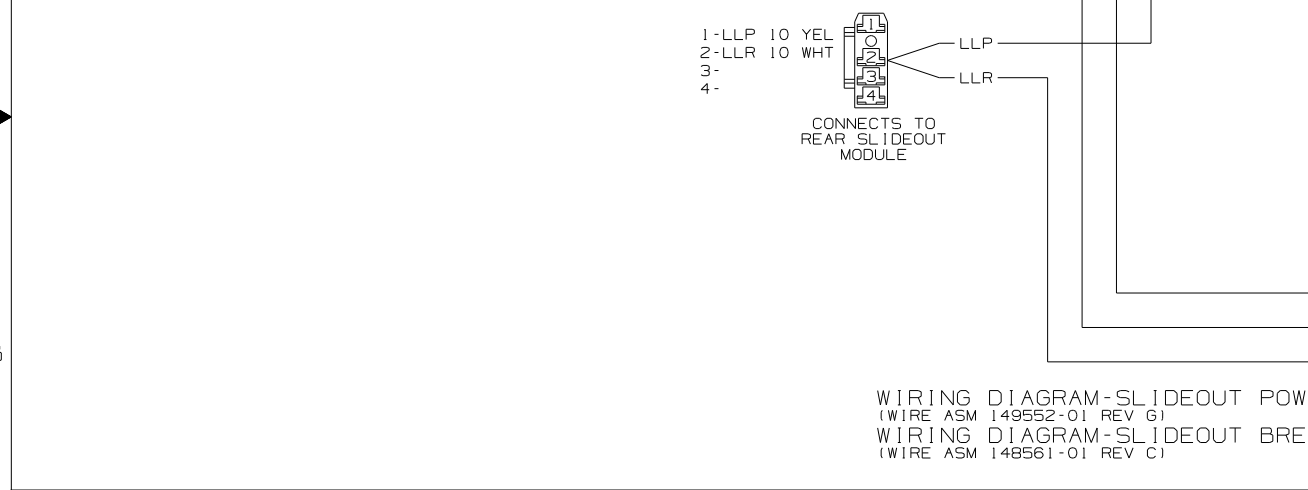
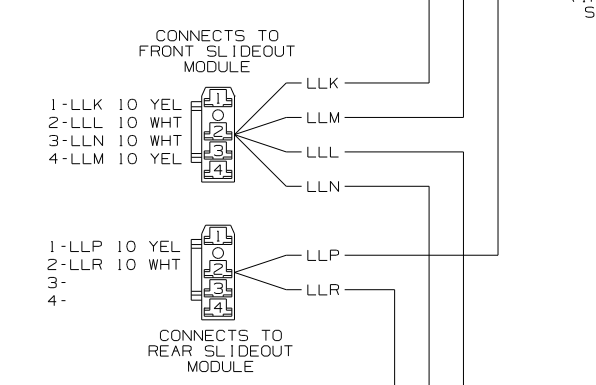
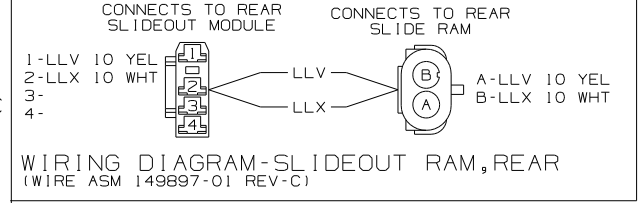
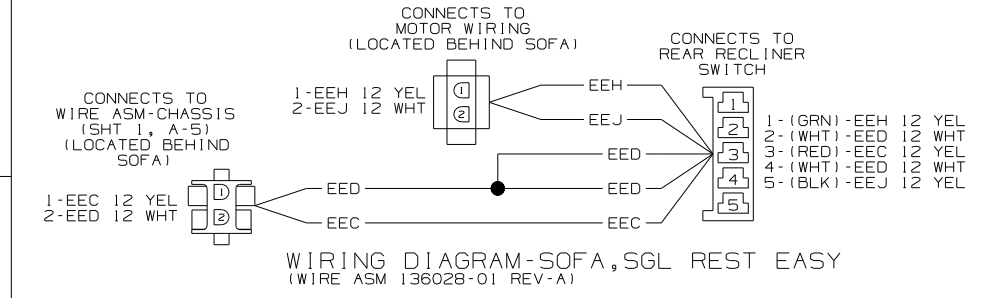
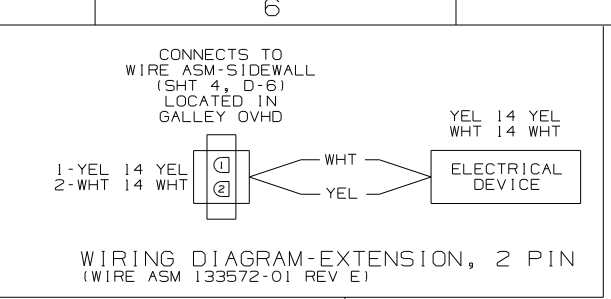
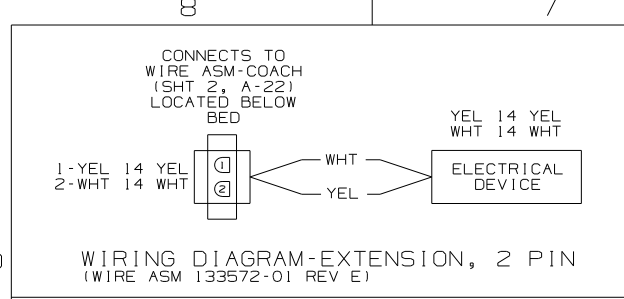
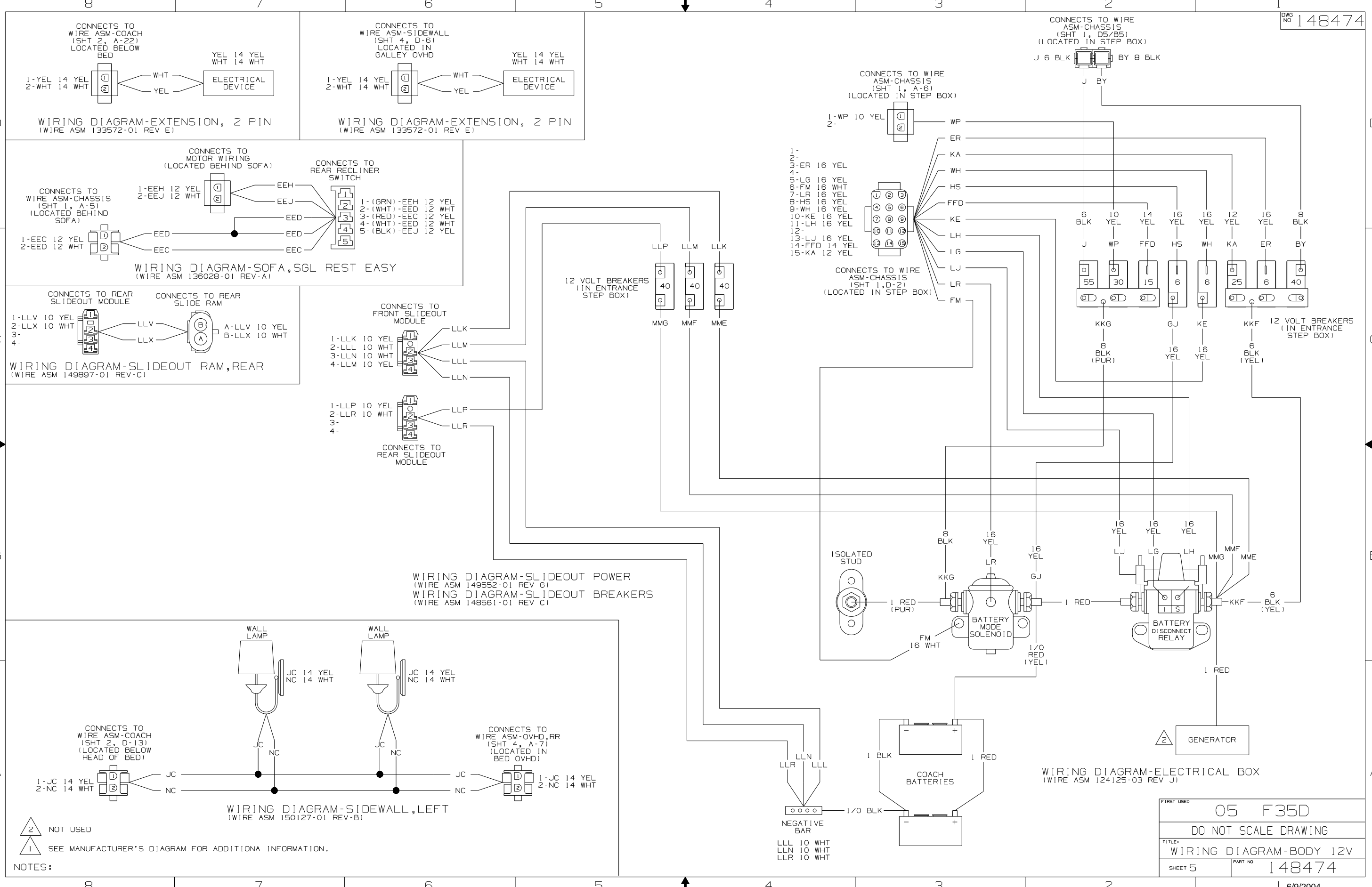
WIRING DIAGRAM-ROOF
(WIRE ASM 148732 REV F)

FIRST USED	05 F35D
TITLE	DO NOT SCALE DRAWING
TITLE	WIRING DIAGRAM-BODY, 12V
SHEET 3	PART NO 148474





FIRST USED	05 F34D
TITLE	DO NOT SCALE DRAWING
TITLE	WIRING DIAGRAM-BODY, 12V
SHEET 4	PART NO 148474



NOTES:

- 2 NOT USED
- 1 SEE MANUFACTURER'S DIAGRAM FOR ADDITIONAL INFORMATION.

FIRST USED	05 F35D
TITLE	DO NOT SCALE DRAWING
TITLE	WIRING DIAGRAM-BODY 12V
SHEET 5	PART NO 148474