



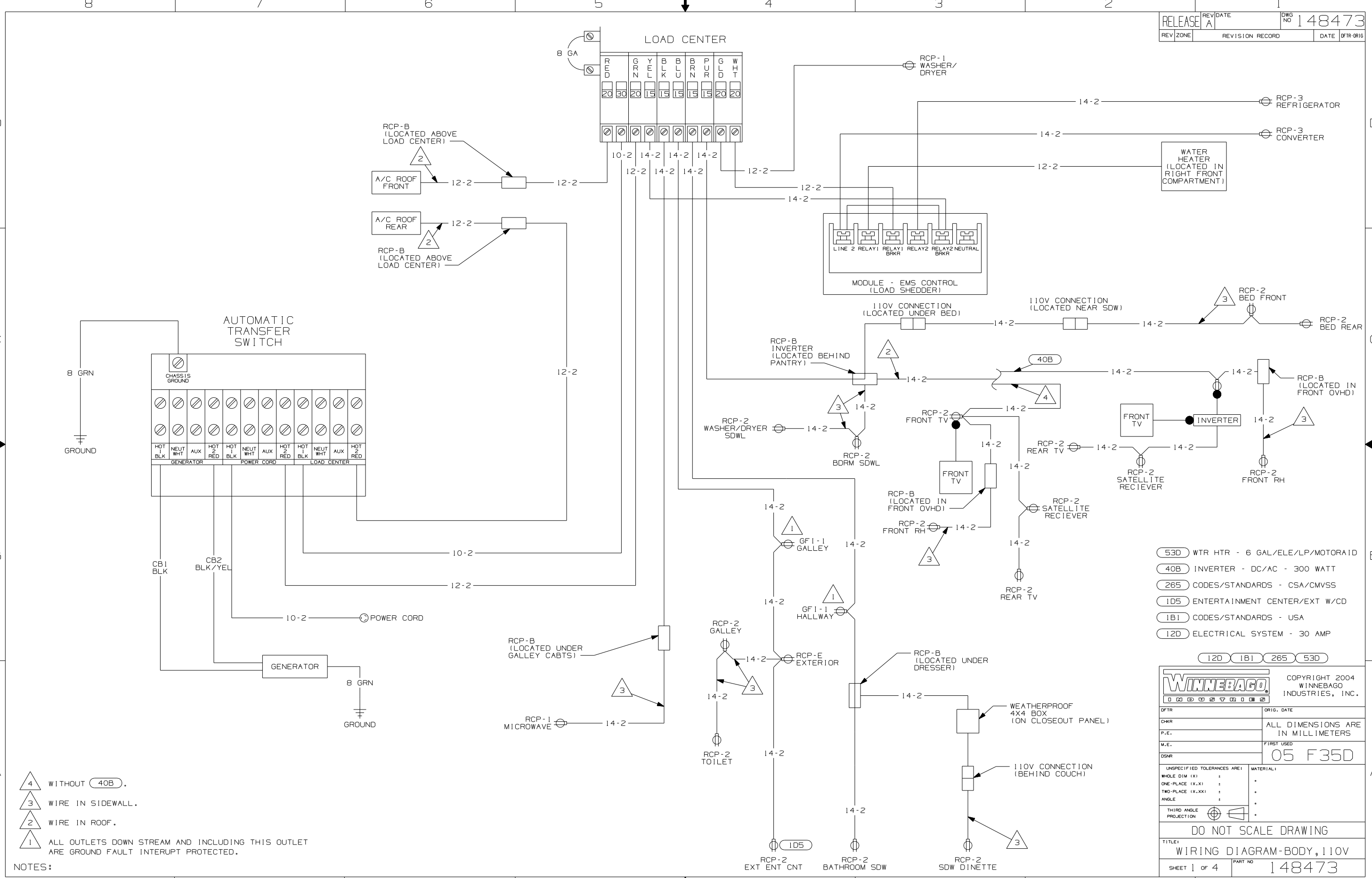
DANGER

Danger of electrical shock, burns or death. Always remove all power sources before attempting any repair, service or diagnostic work. Power can be present from shore power, generator, inverter or battery. All power sources must be disabled and secured before performing any service.



CAUTION

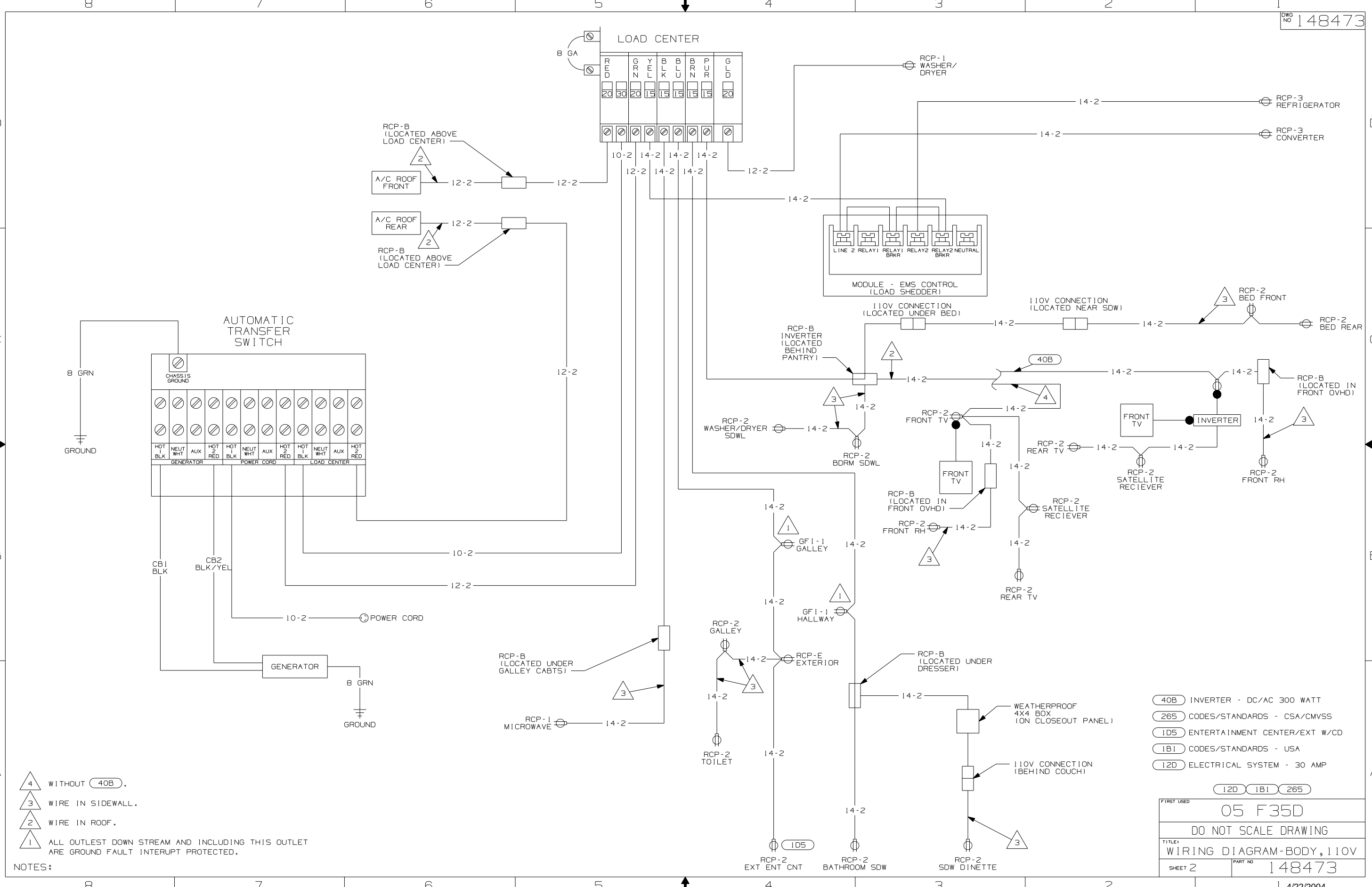
If you lack the skills, tools or equipment to perform diagnostic or repair work leave such work to an authorized Winnebago Industries dealer or other qualified shop.



- NOTES:
- 4 WITHOUT 40B.
 - 3 WIRE IN SIDEWALL.
 - 2 WIRE IN ROOF.
 - 1 ALL OUTLETS DOWN STREAM AND INCLUDING THIS OUTLET ARE GROUND FAULT INTERRUPT PROTECTED.

- 53D WTR HTR - 6 GAL/ELE/LP/MOTORAID
- 40B INVERTER - DC/AC - 300 WATT
- 265 CODES/STANDARDS - CSA/CMVSS
- 1D5 ENTERTAINMENT CENTER/EXT W/CD
- 1B1 CODES/STANDARDS - USA
- 12D ELECTRICAL SYSTEM - 30 AMP

WINNEBAGO		COPYRIGHT 2004 WINNEBAGO INDUSTRIES, INC.	
DFT#	ORIG. DATE	ALL DIMENSIONS ARE IN MILLIMETERS	
CHKR		FIRST USED 05 F35D	
P.E.			
M.E.		UNSPECIFIED TOLERANCES ARE:	
DSNR		MATERIAL:	
		WHOLE DIM (X)	:
		ONE-PLACE (X.X)	:
		TWO-PLACE (X.XX)	:
		ANGLE	:
		THIRD ANGLE PROJECTION	:
DO NOT SCALE DRAWING			
TITLE: WIRING DIAGRAM-BODY, 110V			
SHEET 1 OF 4	PART NO	148473	
REF: 144614 4/22/2004			



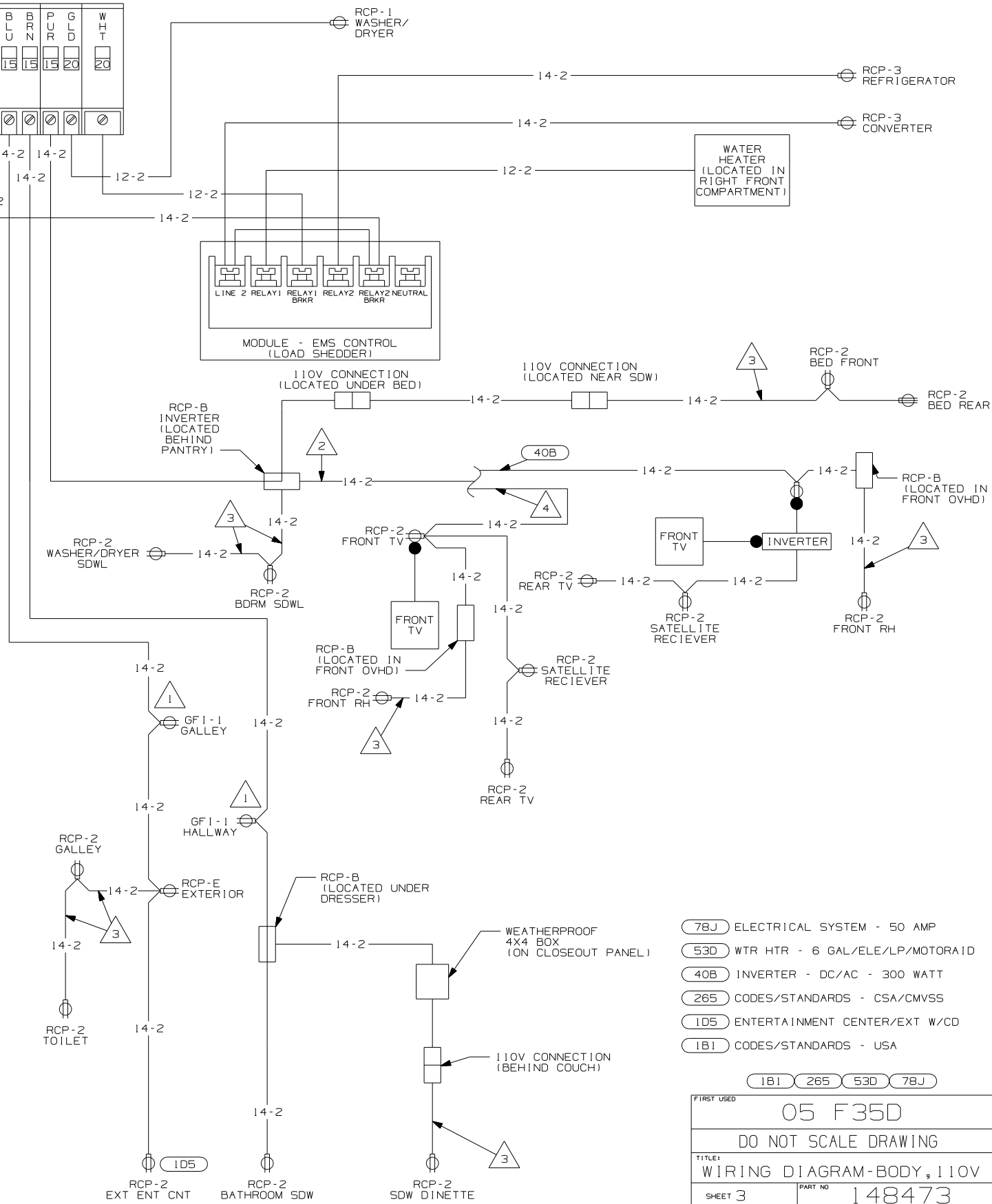
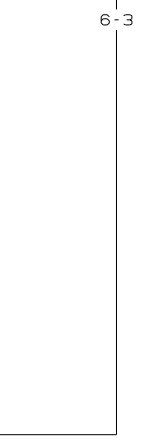
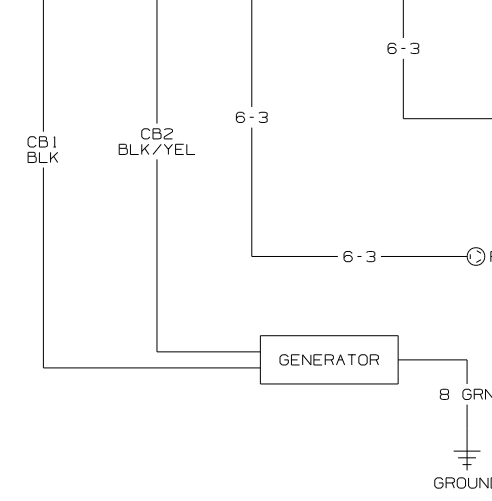
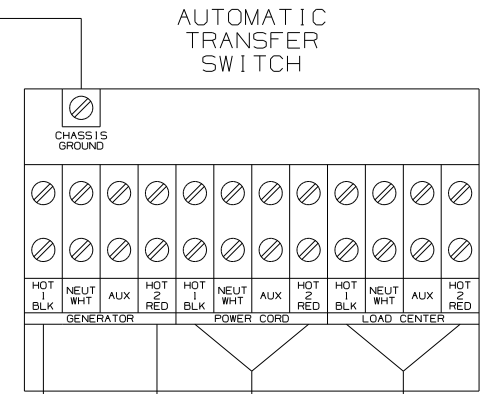
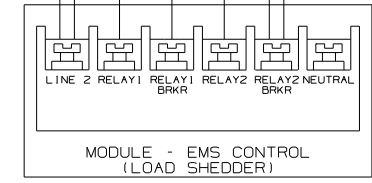
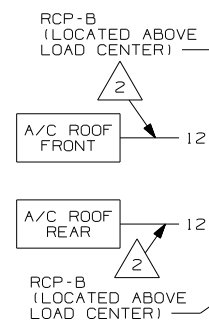
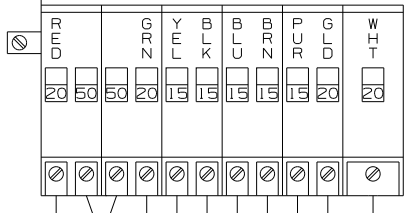
NOTES:

- 4 WITHOUT 40B.
- 3 WIRE IN SIDEWALL.
- 2 WIRE IN ROOF.
- 1 ALL OUTLET DOWN STREAM AND INCLUDING THIS OUTLET ARE GROUND FAULT INTERRUPT PROTECTED.

- 40B INVERTER - DC/AC 300 WATT
- 265 CODES/STANDARDS - CSA/CMVSS
- 1D5 ENTERTAINMENT CENTER/EXT W/CD
- 1B1 CODES/STANDARDS - USA
- 12D ELECTRICAL SYSTEM - 30 AMP

FIRST USED	05 F35D
DO NOT SCALE DRAWING	
TITLE: WIRING DIAGRAM-BODY, 110V	
SHEET 2	PART NO 148473

LOAD CENTER



- NOTES:
- 4 WITHOUT 40B.
 - 3 WIRE IN SIDEWALL.
 - 2 WIRE IN ROOF.
 - 1 ALL OUTLET DOWN STREAM AND INCLUDING THIS OUTLET ARE GROUND FAULT INTERRUPT PROTECTED.

- 78J ELECTRICAL SYSTEM - 50 AMP
- 53D WTR HTR - 6 GAL/ELE/LP/MOTOR AID
- 40B INVERTER - DC/AC - 300 WATT
- 265 CODES/STANDARDS - CSA/CMVSS
- ID5 ENTERTAINMENT CENTER/EXT W/CD
- IB1 CODES/STANDARDS - USA

FIRST USED	05 F35D
DO NOT SCALE DRAWING	
TITLE: WIRING DIAGRAM-BODY, 110V	
SHEET 3	PART NO 148473

