



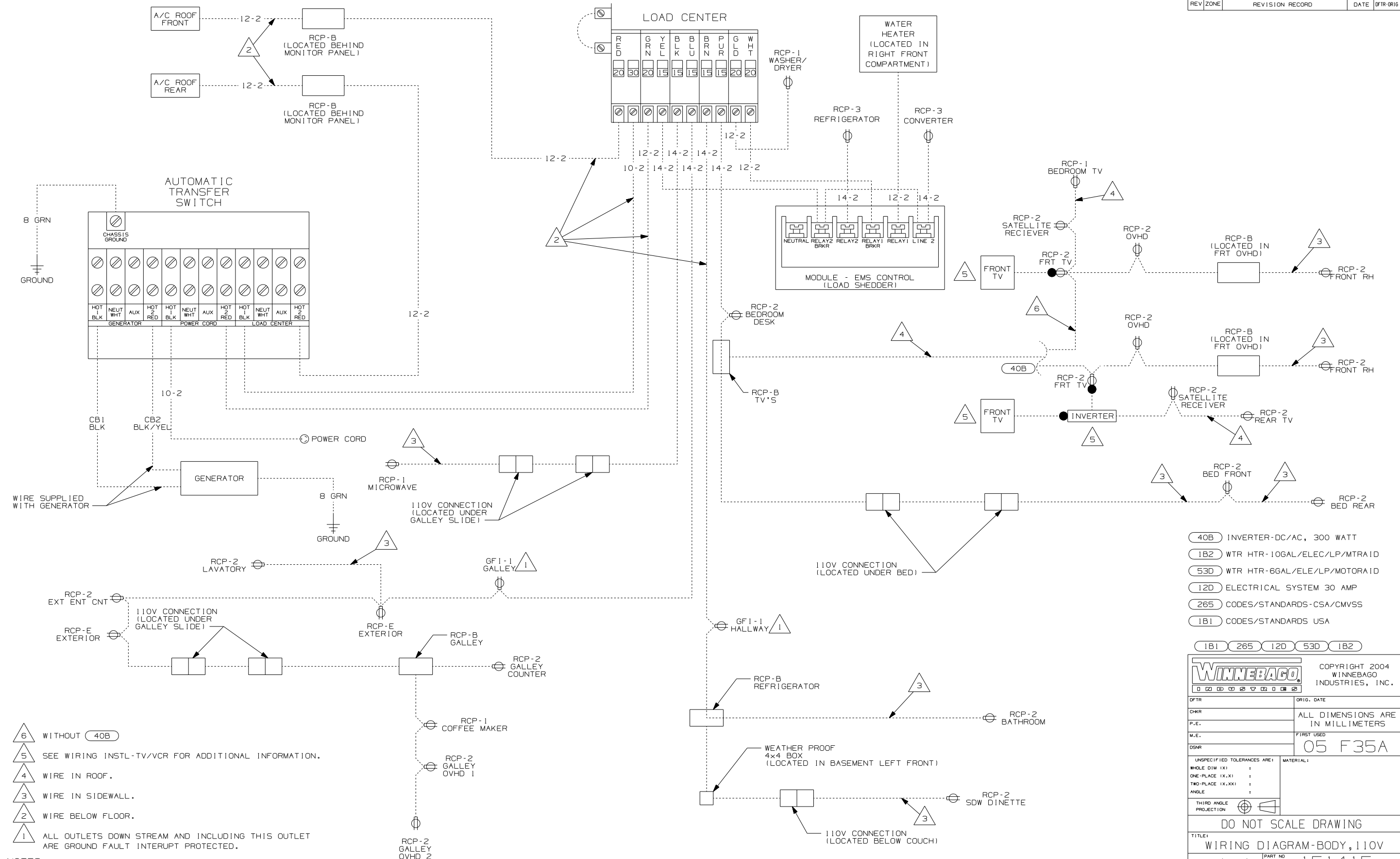
DANGER

Danger of electrical shock, burns or death. Always remove all power sources before attempting any repair, service or diagnostic work. Power can be present from shore power, generator, inverter or battery. All power sources must be disabled and secured before performing any service.



CAUTION

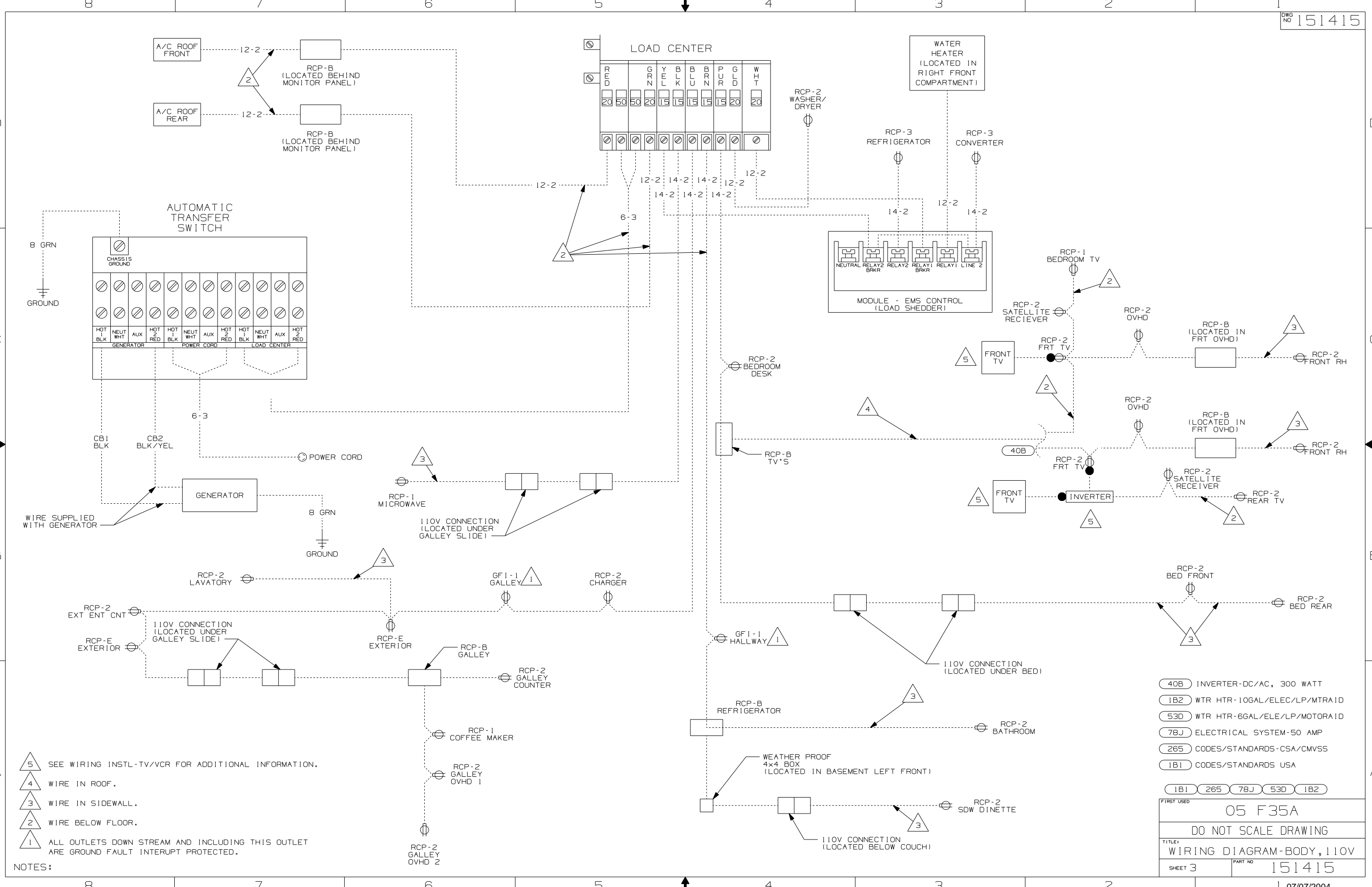
If you lack the skills, tools or equipment to perform diagnostic or repair work leave such work to an authorized Winnebago Industries dealer or other qualified shop.



- NOTES:
- 6 WITHOUT 40B
 - 5 SEE WIRING INSTL-TV/VCR FOR ADDITIONAL INFORMATION.
 - 4 WIRE IN ROOF.
 - 3 WIRE IN SIDEWALL.
 - 2 WIRE BELOW FLOOR.
 - 1 ALL OUTLETS DOWN STREAM AND INCLUDING THIS OUTLET ARE GROUND FAULT INTERRUPT PROTECTED.

- 40B INVERTER-DC/AC, 300 WATT
- 1B2 WTR HTR-10GAL/ELEC/LP/MTR/ID
- 53D WTR HTR-6GAL/ELE/LP/MOTORAID
- 12D ELECTRICAL SYSTEM 30 AMP
- 265 CODES/STANDARDS-CSA/CMVSS
- 1B1 CODES/STANDARDS USA

WINNEBAGO		COPYRIGHT 2004 WINNEBAGO INDUSTRIES, INC.	
DFTR	ORIG. DATE	ALL DIMENSIONS ARE IN MILLIMETERS	
CHKR		FIRST USED 05 F35A	
P.E.		UNSPECIFIED TOLERANCES ARE:	
M.E.		MATERIAL:	
DSNR		WHOLE DIM (X)	:
		ONE-PLACE (X.X)	:
		TWO-PLACE (X.XX)	:
		ANGLE	:
		THIRD ANGLE PROJECTION	
DO NOT SCALE DRAWING			
TITLE: WIRING DIAGRAM-BODY, 110V			
SHEET 1 OF 4	PART NO	151415	
REF: 150625-C 07/07/2004			

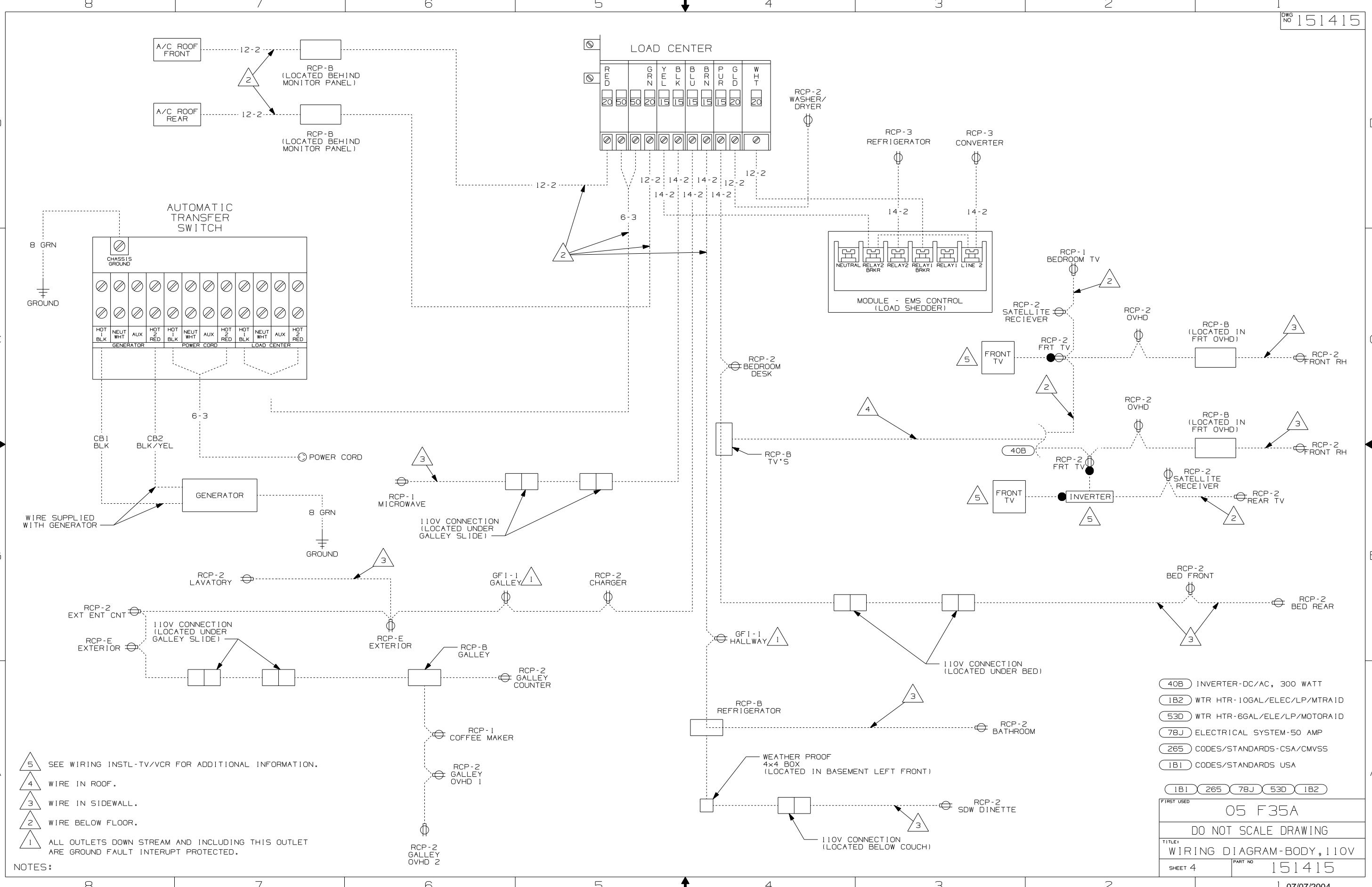


- 5 SEE WIRING INSTL-TV/VCR FOR ADDITIONAL INFORMATION.
- 4 WIRE IN ROOF.
- 3 WIRE IN SIDEWALL.
- 2 WIRE BELOW FLOOR.
- 1 ALL OUTLETS DOWN STREAM AND INCLUDING THIS OUTLET ARE GROUND FAULT INTERRUPT PROTECTED.

NOTES:

- 40B INVERTER-DC/AC, 300 WATT
- 1B2 WTR HTR-10GAL/ELEC/LP/MTR/1D
- 53D WTR HTR-6GAL/ELE/LP/MOTORA1D
- 78J ELECTRICAL SYSTEM-50 AMP
- 265 CODES/STANDARDS-CSA/CMVSS
- 1B1 CODES/STANDARDS USA

FIRST USED	05 F35A
TITLE	DO NOT SCALE DRAWING
WIRING DIAGRAM-BODY, 110V	
SHEET 3	PART NO 151415



- 5 SEE WIRING INSTL-TV/VCR FOR ADDITIONAL INFORMATION.
- 4 WIRE IN ROOF.
- 3 WIRE IN SIDEWALL.
- 2 WIRE BELOW FLOOR.
- 1 ALL OUTLETS DOWN STREAM AND INCLUDING THIS OUTLET ARE GROUND FAULT INTERRUPT PROTECTED.

NOTES:

- 40B INVERTER-DC/AC, 300 WATT
- 1B2 WTR HTR-10GAL/ELEC/LP/MTRAI D
- 53D WTR HTR-6GAL/ELE/LP/MOTORA I D
- 78J ELECTRICAL SYSTEM-50 AMP
- 265 CODES/STANDARDS-CSA/CMVSS
- 1B1 CODES/STANDARDS USA

FIRST USED	05 F35A
TITLE	DO NOT SCALE DRAWING
WIRING DIAGRAM-BODY, 110V	
SHEET 4	PART NO 151415