

FRONT OF VEHICLE

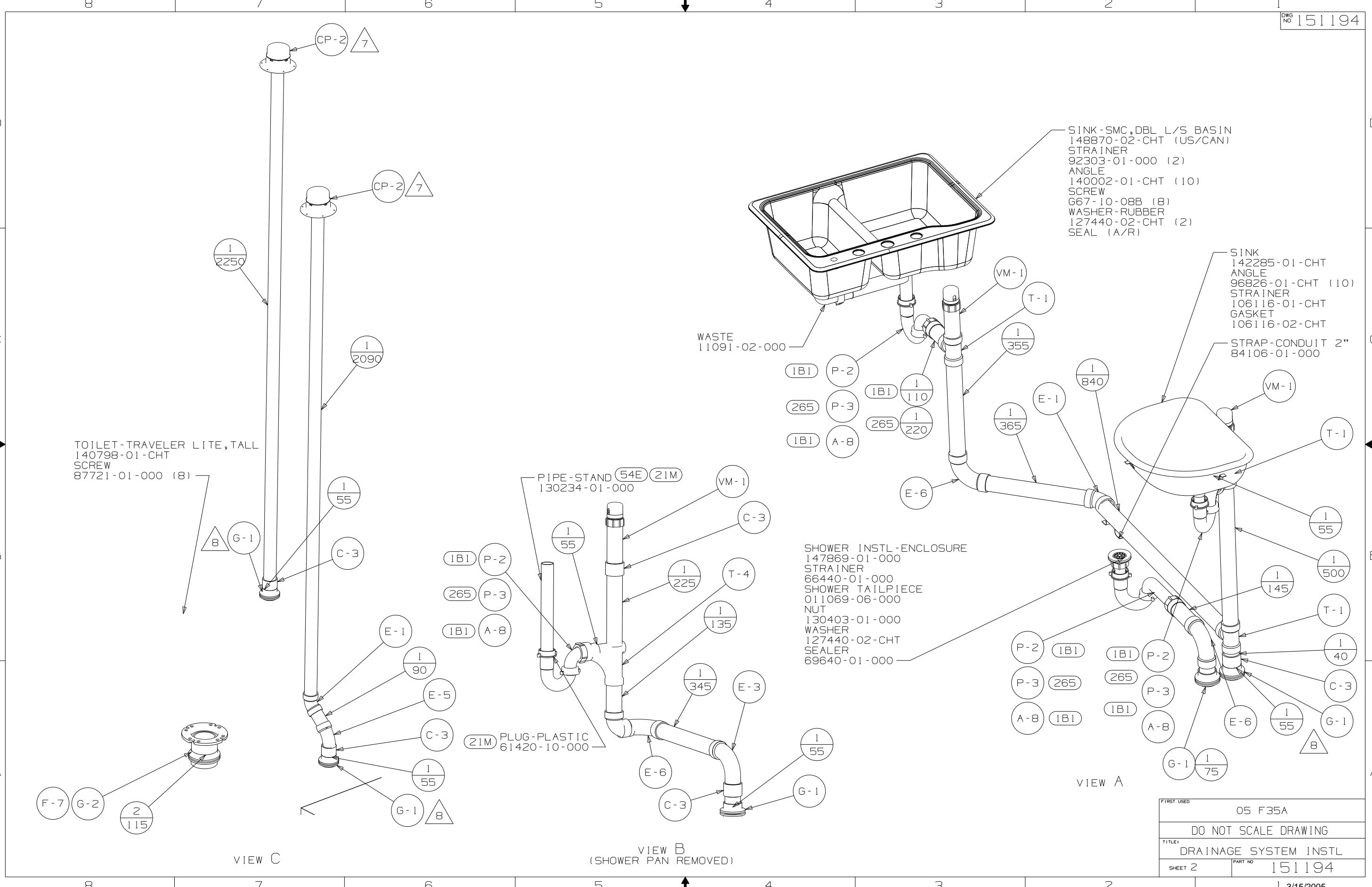
- (54E) WASHER/DRYER
- (21M) WASHER/DRYER PREP
- (265) CODES/STANDARDS-CSA/CMVSS
- (1B1) CODES/STANDARDS-USA

- 8 SECURE VENT TUBES TO FLOOR WITH BRACKET 136878-01-CHT (3) CLAMP 62401-02-000 (3), SCREW G67-10-12B (3).
- 7 VENT PIPE MUST PROJECT 51 MIN AND 64 MAX ABOVE ROOF FOR PROPER FIT AND FUNCTION.
6. ROF CANADIAN UNITS EACH HOLDING TANK SHALL HAVE A CSA APPROVAL STAMPED NEAR THE IAMPO APPROVAL.
5. SEAL AROUND SHOWER WITH SILICONE.
4. ALL EXTERIOR OPENINGS AROUND PIPE TO BE SEALED WITH 100744-01-000.
3. ALL PIPE AND FITTINGS TO BE ASSEMBLED WITH SOLVENT 4020-01-000 (US), 4020-02-000 (CAN)..
2. SLOPE OF TRAP ARM MUST BE 6 PER 305 mm.
1. SLOPE OF HORIZONTAL PIPING TO BE 6 PER 305 mm.

NOTES:

(X-X) FOR DRAINAGE CALLOUTS SEE DWG NO. 116229-01-000

<b>WINNEBAGO</b>		COPYRIGHT 2005 WINNEBAGO INDUSTRIES, INC.	
DFT	ORIG. DATE	ALL DIMENSIONS ARE IN MILLIMETERS	
CHKR		FIRST USED	
P.E.		05 F35A	
M.E.		UNSPECIFIED TOLERANCES ARE:	
DSNR		MATERIAL:	
		WHOLE DIM (X)	: 5
		ONE-PLACE (X.X)	:
		TWO-PLACE (X.XX)	:
		ANGLE	:
THIRD ANGLE PROJECTION		DO NOT SCALE DRAWING	
TITLE: DRAINAGE SYSTEM INSTL			
SHEET 1 OF 3		PART NO 151194	



SINK-SMC, DBL L/S BASIN  
 148870-02-CHT (US/CAN)  
 STRAINER  
 92303-01-000 (2)  
 ANGLE  
 140002-01-CHT (10)  
 SCREW  
 G67-10-08B (8)  
 WASHER-RUBBER  
 127440-02-CHT (2)  
 SEAL (A/R)

SINK  
 142285-01-CHT  
 ANGLE  
 96826-01-CHT (10)  
 STRAINER  
 106116-01-CHT  
 GASKET  
 106116-02-CHT

STRAP-CONDUIT 2"  
 84106-01-000

WASTE  
 11091-02-000

PIPE-STAND  
 130234-01-000

SHOWER INSTL-ENCLOSURE  
 147869-01-000  
 STRAINER  
 66440-01-000  
 SHOWER TAILPIECE  
 011069-06-000  
 NUT  
 130403-01-000  
 WASHER  
 127440-02-CHT  
 SEALER  
 69640-01-000

PLUG-PLASTIC  
 61420-10-000

TOILET-TRAVELER LITE, TALL  
 140798-01-CHT  
 SCREW  
 87721-01-000 (8)

VIEW C

VIEW B  
 (SHOWER PAN REMOVED)

VIEW A

FIRST USED	05 F35A
DO NOT SCALE DRAWING	
TITLE	DRAINAGE SYSTEM INSTL
SHEET 2	PART NO 151194

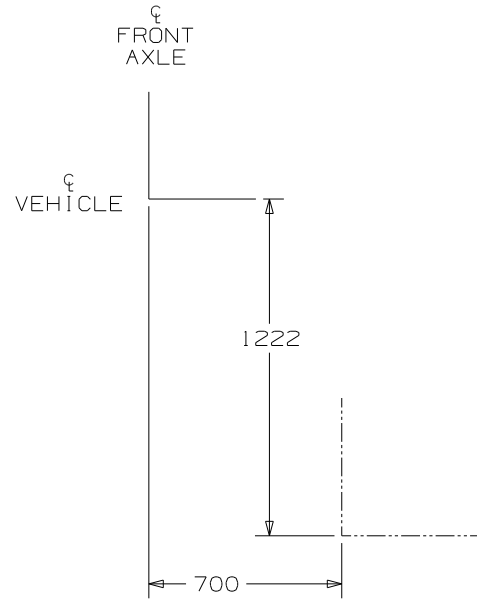
BRACKET - ANGLE, W/HOLES  
94756-02-CHT

PLATFORM-HOLDING TANK  
126714-33-000

PLATFORM-HOLDING TANK  
126714-10-000

PLATFORM-HOLDING TANK  
126714-22-000

PLATFORM-HOLDING TANK  
126714-10-000



VIEW D

TANK-HOLDING  
150413-02-000

TANK-HOLDING  
150414-03-000

VIEW E

2  
115

N-3

C-2

E-11

N-3

C-2

2  
175

V-11

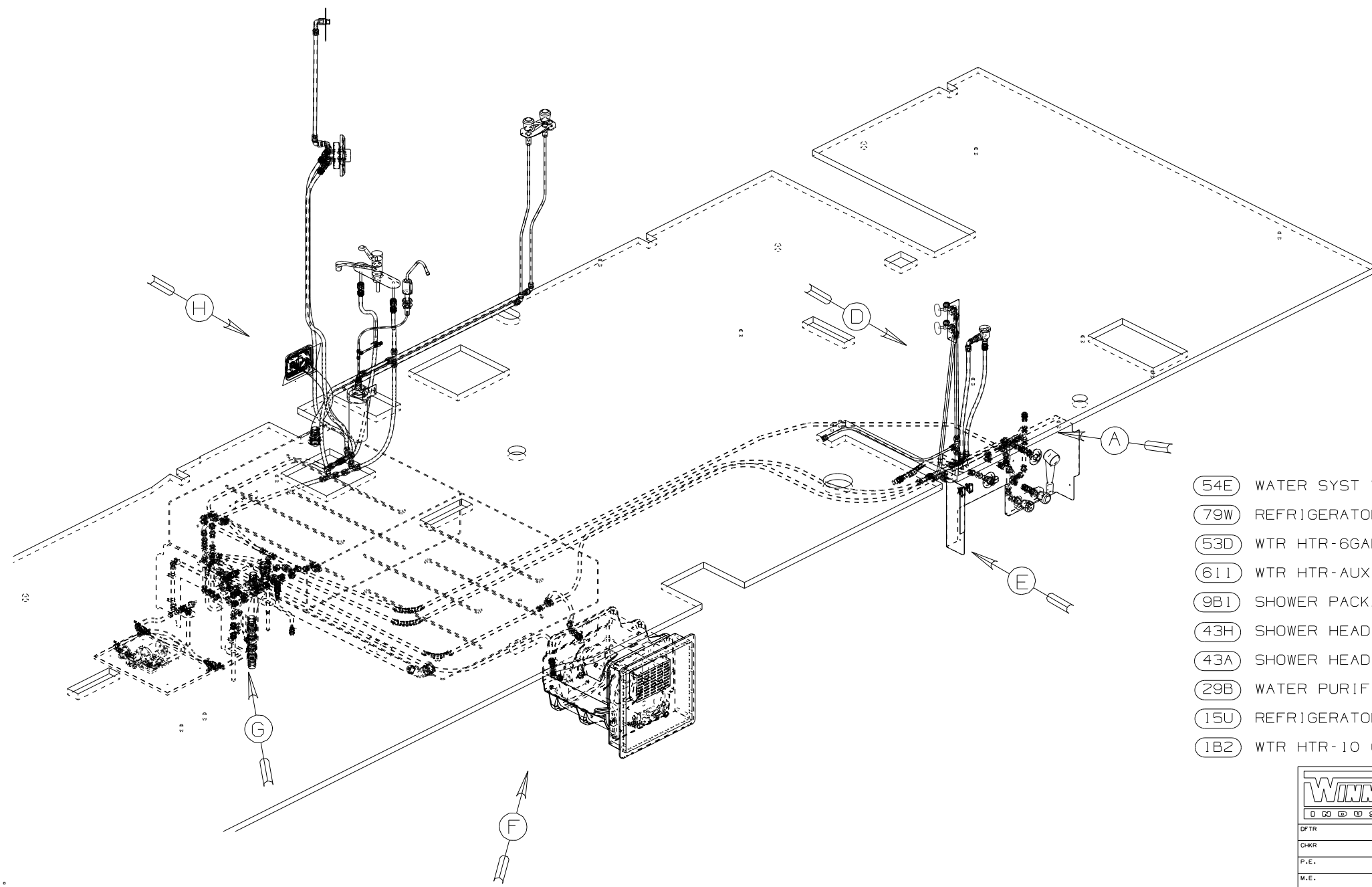
H-1

VALVE - SEWER  
144728-01-000  
CLAMP - HOSE  
062401-09-000  
LABEL - DRIP VALVE  
147845-01-CHT

FIRST USED	05 F35A
DO NOT SCALE DRAWING	
TITLE	DRAINAGE SYSTEM INSTL
SHEET 3	PART NO 151194

8 7 6 5 4 3 2

RELEASE	REV DATE	DWG NO
A		151203
REV ZONE	REVISION RECORD	DATE DFR-ORIG



- (54E) WATER SYST WINTERIZATIO PKG
- (79W) REFRIGERATOR-4 DOOR
- (53D) WTR HTR-6GAL/ELE/LP/MOTORAID
- (611) WTR HTR-AUX AUTO/MOTORAID
- (9B1) SHOWER PACKAGE
- (43H) SHOWER HEAD-HAND HELD
- (43A) SHOWER HEAD-FIXED
- (29B) WATER PURIFIER
- (15U) REFRIGERATOR/FRZR W/ICEMAKER
- (1B2) WTR HTR-10 GAL/ELEC/LP/MTRAID

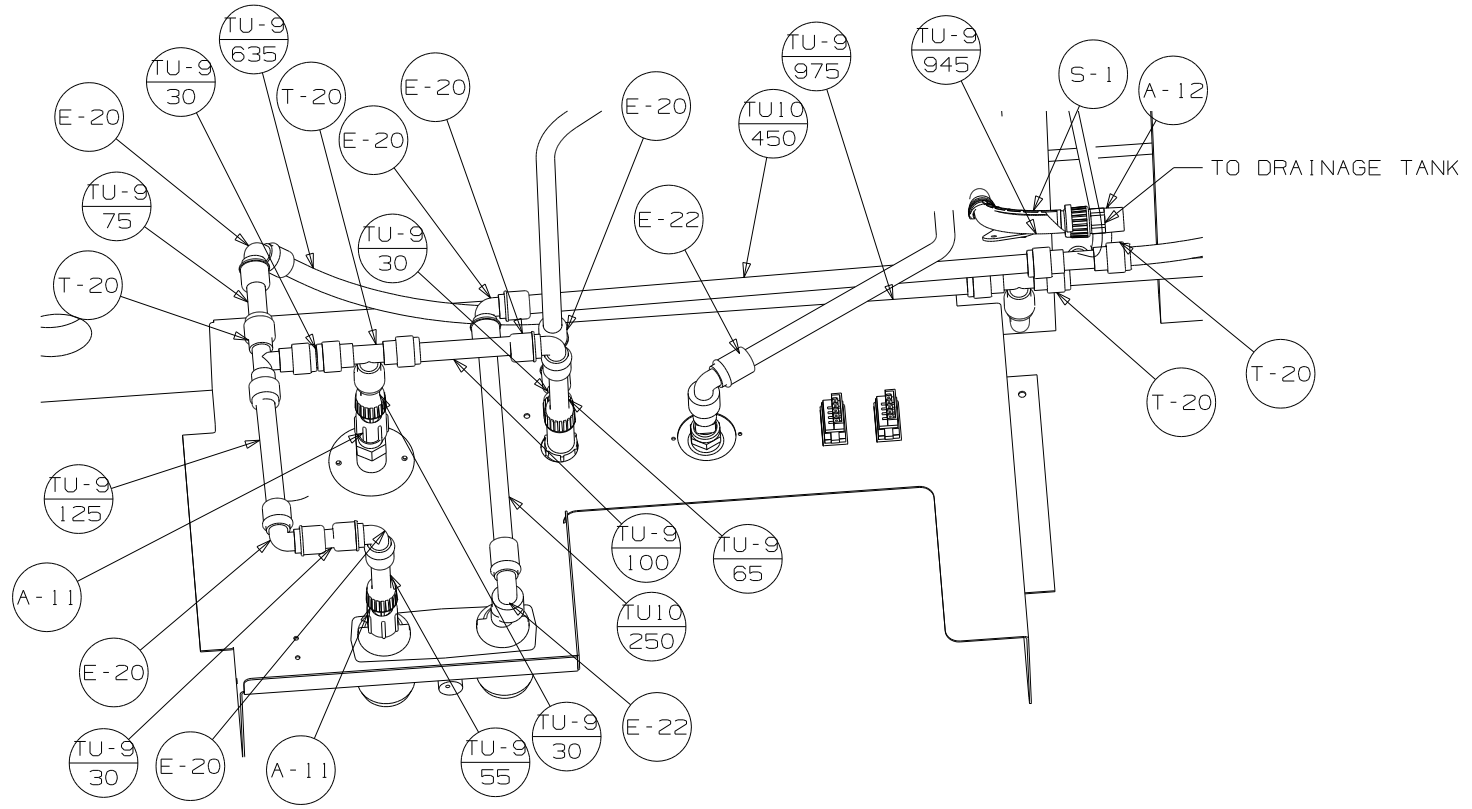
- NOTES:
- 5 ADD TEFLON TAPE 10405-02-000.
  - 4 ADD TEFLON TAPE 10405-01-000.
  3. ALL TUBING TO BE SECURED AT 1200 INTERVALS MAXIMUM WITH CLAMP 10495-01-000 OR CLIP 9151-01-000 AND SCREW 667-10-12B.
  2. TUBING TO BE INSTALLED WITH SUFFICIENT SLOPE TO PROVIDE DRAINAGE TO NEAREST VALVE.
  1. PLASTIC FITTINGS TO BE SEALED WITH SEALANT 84456-01-000.

<b>WINNEBAGO</b>		COPYRIGHT 2005 WINNEBAGO INDUSTRIES, INC.	
DFTR	ORIG. DATE	ALL DIMENSIONS ARE IN MILLIMETERS	
CHKR		FIRST USED	
P.E.		05 F35A	
M.E.		UNSPECIFIED TOLERANCES ARE:	
DSNR		MATERIAL:	
		WHOLE DIM (X) :	7
		ONE-PLACE (X.X) :	
		TWO-PLACE (X.XX) :	
		ANGLE :	
THIRD ANGLE PROJECTION		DO NOT SCALE DRAWING	
TITLE: WATER SYSTEM INSTL			
SHEET 1 OF 4		PART NO 151203	

(X-X)  
FOR  
WATER  
CALLOUTS  
SEE DWG NO  
116230-01-000

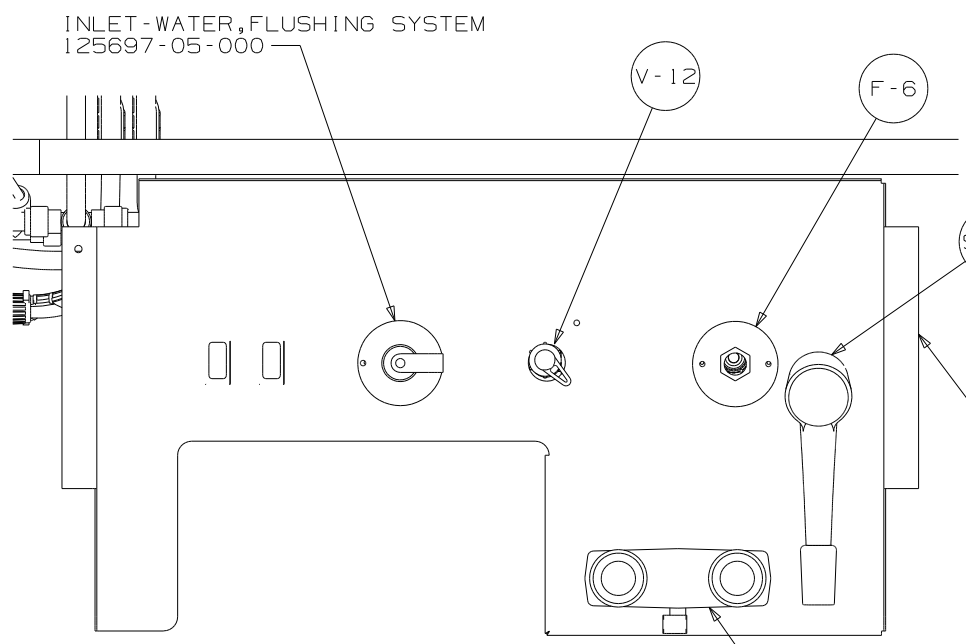
8 7 6 5 4 3 2



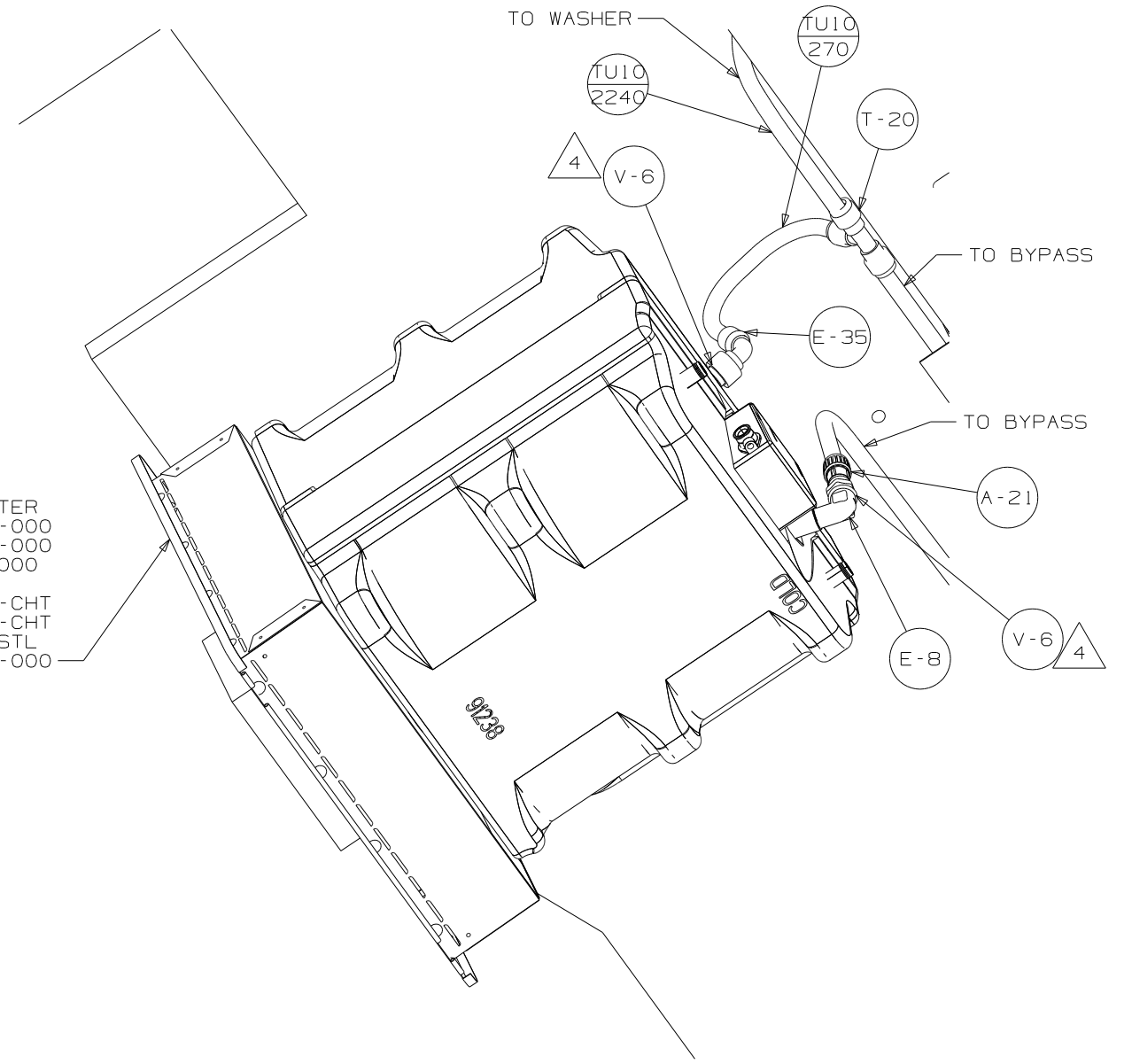


VIEW E

- (IB2) (54E) WATER HEATER 145541-01-000
- (53D) 145541-02-000
- (611) 51393-01-000 DOOR
- (IB2) (54E) 125420-03-CHT
- (611) (53D) 125420-04-CHT BUMPER INSTL
- 146507-01-000

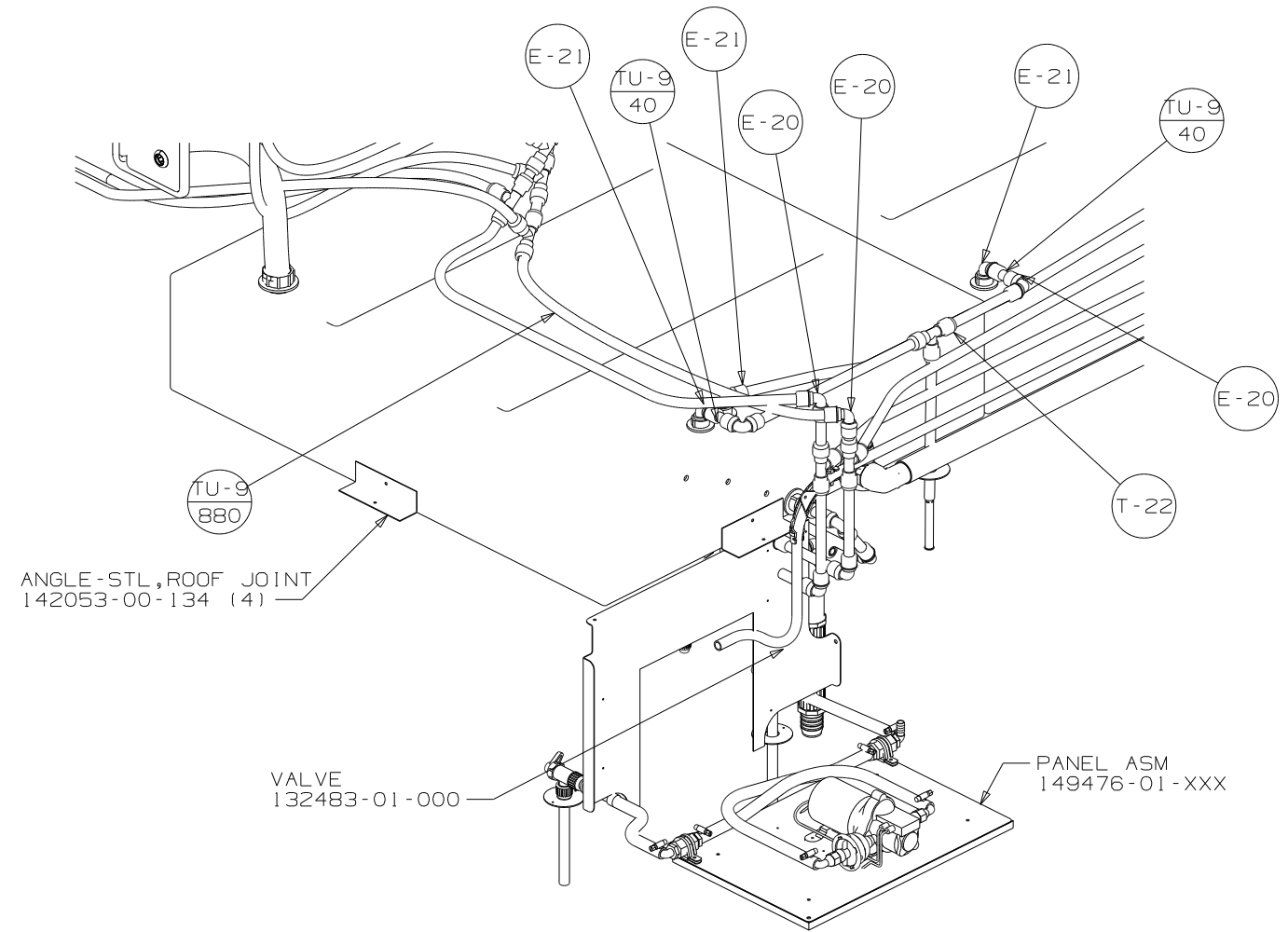


VIEW F

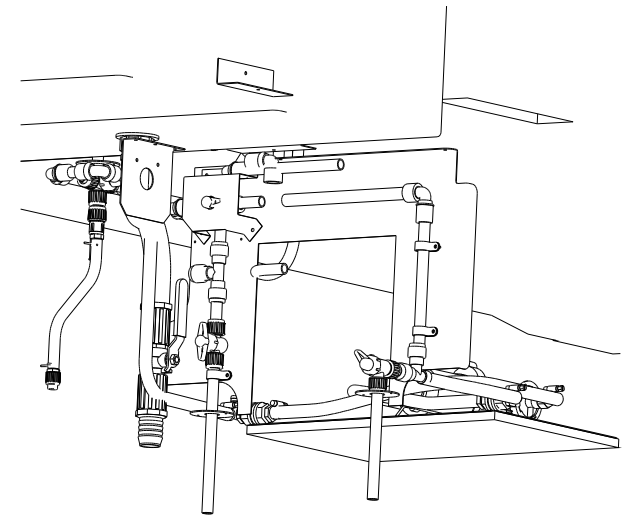


VIEW G

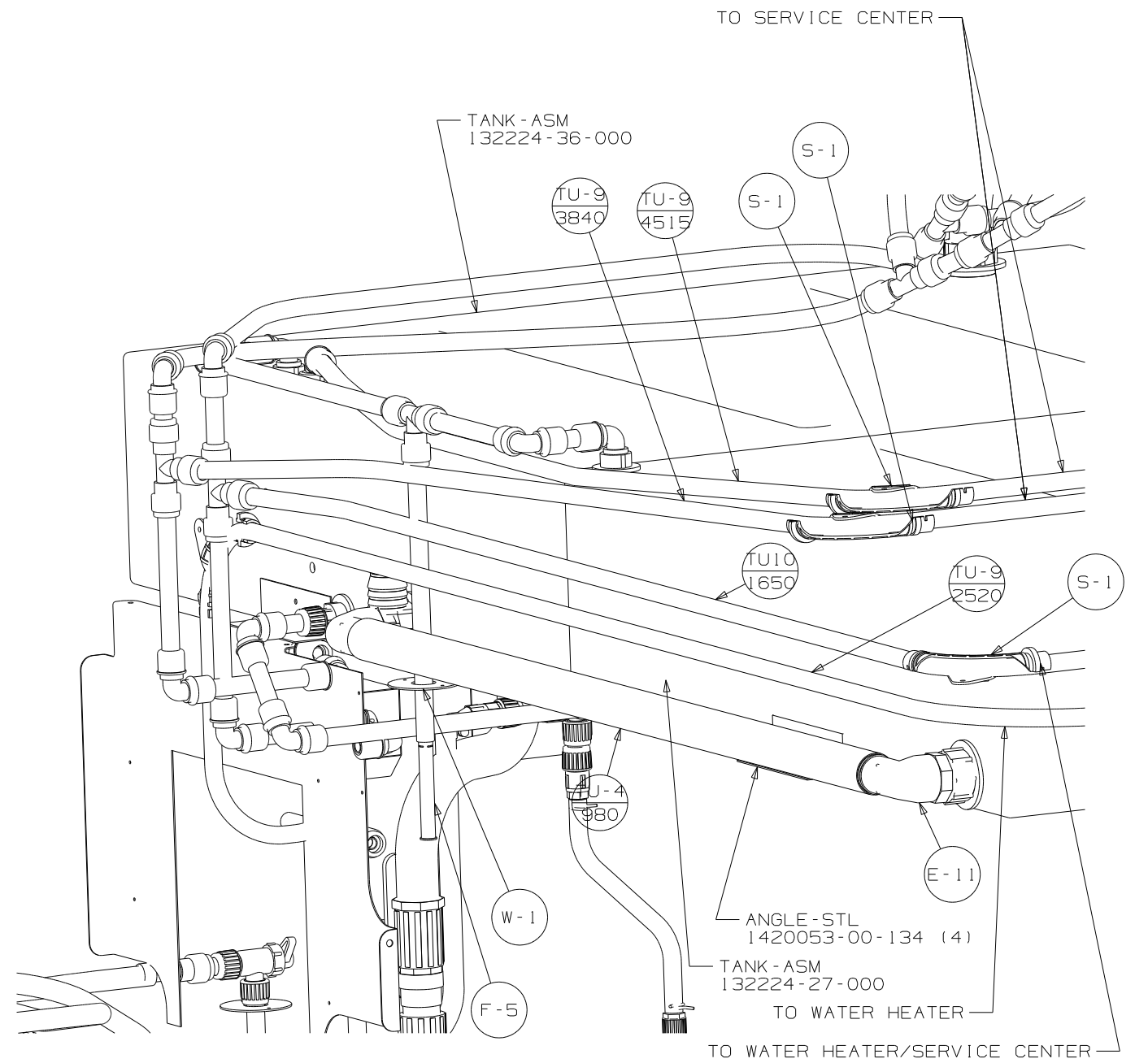
FIRST USED	05 F35A
TITLE	DO NOT SCALE DRAWING
SHEET 3	PART NO 151203
1 1/31/2005	



VIEW H  
FLOOR REMOVED



VIEW J  
FLOOR REMOVED



FIRST USED	05 F35A
TITLE	DO NOT SCALE DRAWING
SHEET 4	PART NO 151203
1 1/31/2005	