



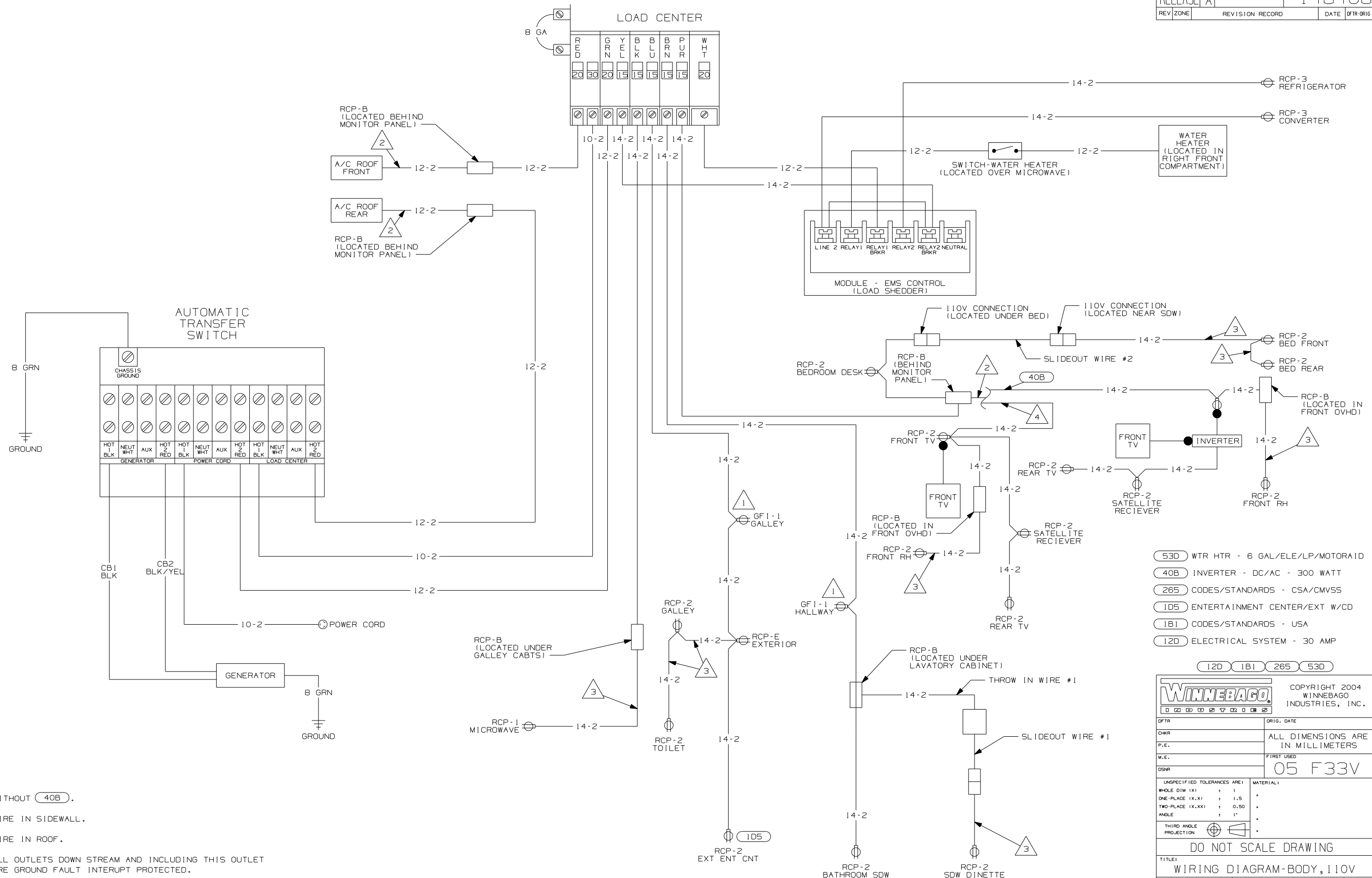
DANGER

Danger of electrical shock, burns or death. Always remove all power sources before attempting any repair, service or diagnostic work. Power can be present from shore power, generator, inverter or battery. All power sources must be disabled and secured before performing any service.



CAUTION

If you lack the skills, tools or equipment to perform diagnostic or repair work leave such work to an authorized Winnebago Industries dealer or other qualified shop.



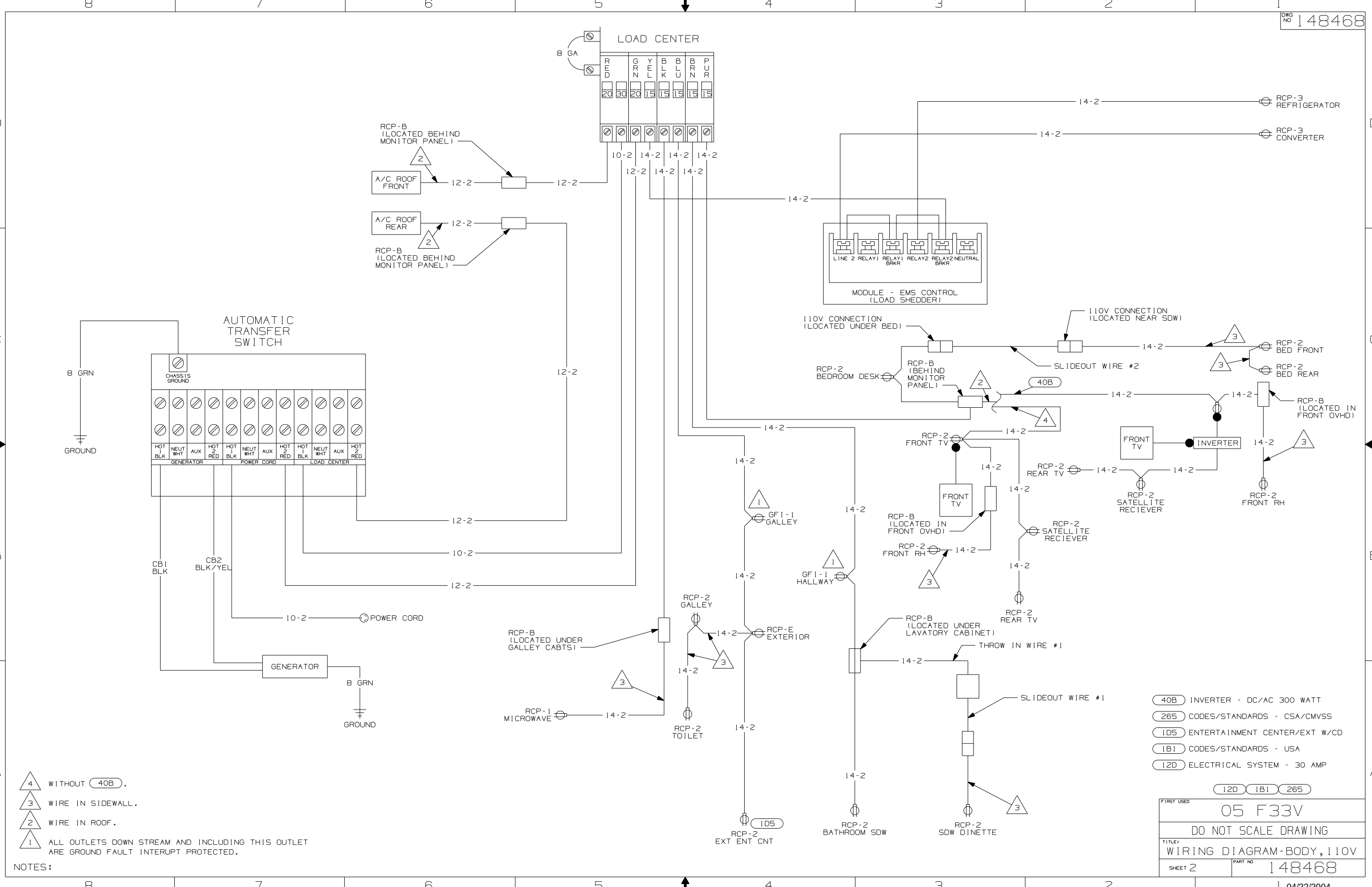
- (53D) WTR HTR - 6 GAL/ELE/LP/MOTORAID
- (40B) INVERTER - DC/AC - 300 WATT
- (265) CODES/STANDARDS - CSA/CMVSS
- (1D5) ENTERTAINMENT CENTER/EXT W/CD
- (1B1) CODES/STANDARDS - USA
- (12D) ELECTRICAL SYSTEM - 30 AMP

(12D) (1B1) (265) (53D)

WINNEBAGO		COPYRIGHT 2004 WINNEBAGO INDUSTRIES, INC.	
DFTR	ORIG. DATE		
CHKR	ALL DIMENSIONS ARE IN MILLIMETERS		
P.E.	FIRST USED	05 F33V	
M.E.			
DSNR			
UNSPECIFIED TOLERANCES ARE:		MATERIAL:	
WHOLE DIM (X)	: 1	.	
ONE-PLACE (X.X)	: 1.5	.	
TWO-PLACE (X.XX)	: 0.50	.	
ANGLE	: 1°	.	
THIRD ANGLE PROJECTION		.	
DO NOT SCALE DRAWING			
TITLE: WIRING DIAGRAM-BODY, 110V			
SHEET 1 OF 4	PART NO	148468	

NOTES:

- 4 WITHOUT (40B).
- 3 WIRE IN SIDEWALL.
- 2 WIRE IN ROOF.
- 1 ALL OUTLETS DOWN STREAM AND INCLUDING THIS OUTLET ARE GROUND FAULT INTERRUPT PROTECTED.

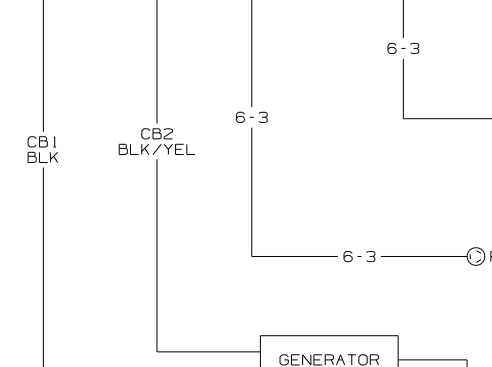
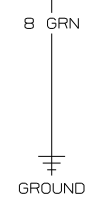
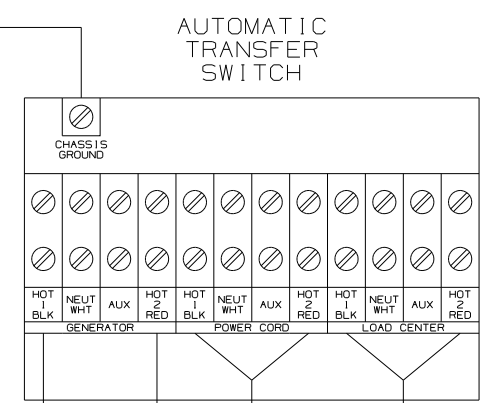
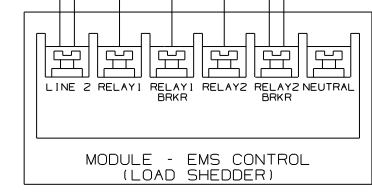
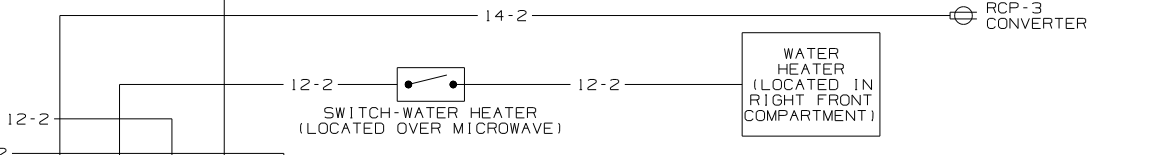
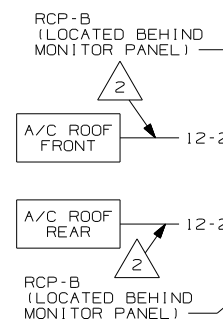
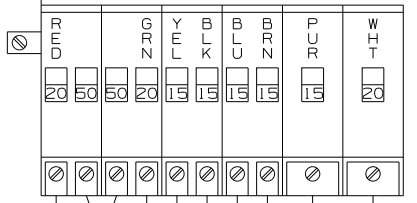


- NOTES:
- 4 WITHOUT 40B.
 - 3 WIRE IN SIDEWALL.
 - 2 WIRE IN ROOF.
 - 1 ALL OUTLETS DOWN STREAM AND INCLUDING THIS OUTLET ARE GROUND FAULT INTERRUPT PROTECTED.

- 40B INVERTER - DC/AC 300 WATT
- 265 CODES/STANDARDS - CSA/CMVSS
- ID5 ENTERTAINMENT CENTER/EXT W/CD
- IB1 CODES/STANDARDS - USA
- I2D ELECTRICAL SYSTEM - 30 AMP

FIRST USED	05 F33V
TITLE	DO NOT SCALE DRAWING
WIRING DIAGRAM-BODY, 110V	
SHEET 2	PART NO 148468

LOAD CENTER

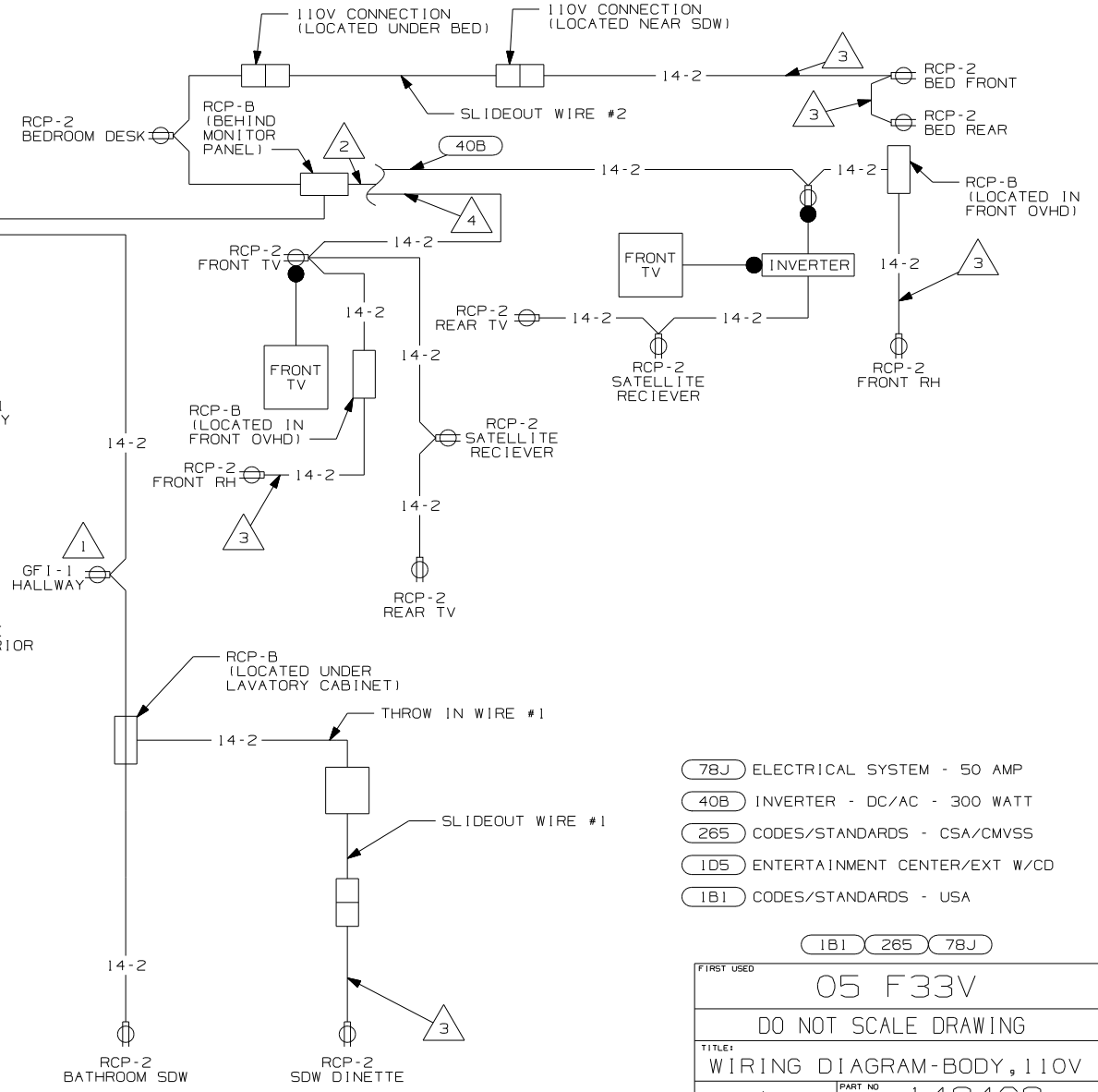
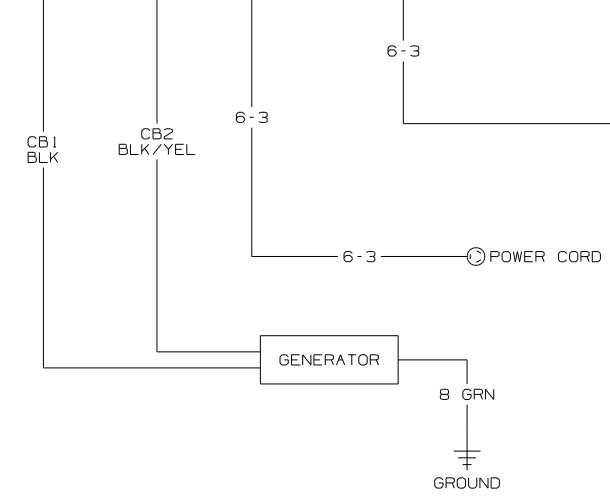
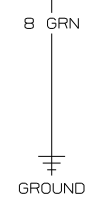
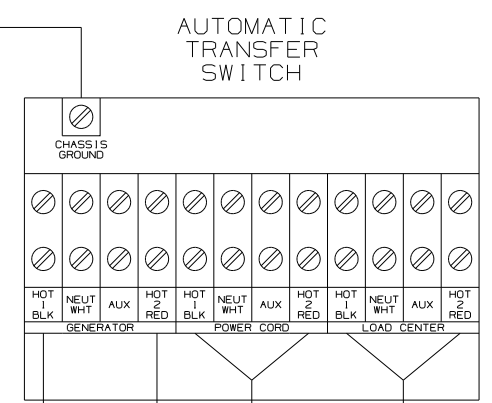
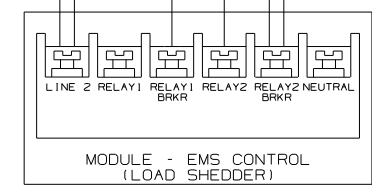
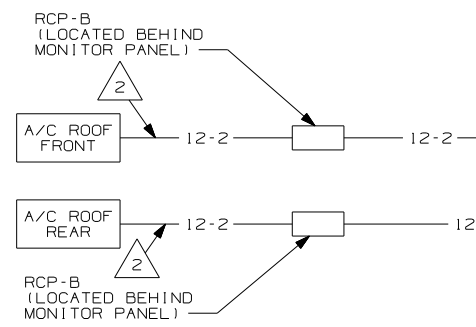
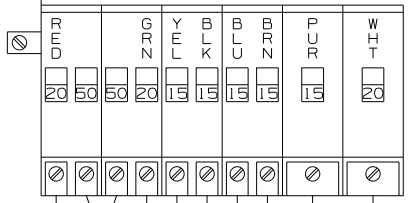


- NOTES:
- 4 WITHOUT 40B.
 - 3 WIRE IN SIDEWALL.
 - 2 WIRE IN ROOF.
 - 1 ALL OUTLETS DOWN STREAM AND INCLUDING THIS OUTLET ARE GROUND FAULT INTERRUPT PROTECTED.

- 78J ELECTRICAL SYSTEM - 50 AMP
- 53D WTR HTR - 6 GAL/ELE/LP/MOTORAID
- 40B INVERTER - DC/AC - 300 WATT
- 265 CODES/STANDARDS - CSA/CMVSS
- ID5 ENTERTAINMENT CENTER/EXT W/CD
- IB1 CODES/STANDARDS - USA

FIRST USED	05 F33V
TITLE	DO NOT SCALE DRAWING
WIRING DIAGRAM-BODY, 110V	
SHEET 3	PART NO 148468

LOAD CENTER



- NOTES:
- 4 WITHOUT 40B.
 - 3 WIRE IN SIDEWALL.
 - 2 WIRE IN ROOF.
 - 1 ALL OUTLETS DOWN STREAM AND INCLUDING THIS OUTLET ARE GROUND FAULT INTERRUPT PROTECTED.

- 78J ELECTRICAL SYSTEM - 50 AMP
- 40B INVERTER - DC/AC - 300 WATT
- 265 CODES/STANDARDS - CSA/CMVSS
- ID5 ENTERTAINMENT CENTER/EXT W/CD
- IB1 CODES/STANDARDS - USA

FIRST USED	IB1 265 78J
05 F33V	
DO NOT SCALE DRAWING	
TITLE: WIRING DIAGRAM-BODY, 110V	
SHEET 4	PART NO 148468