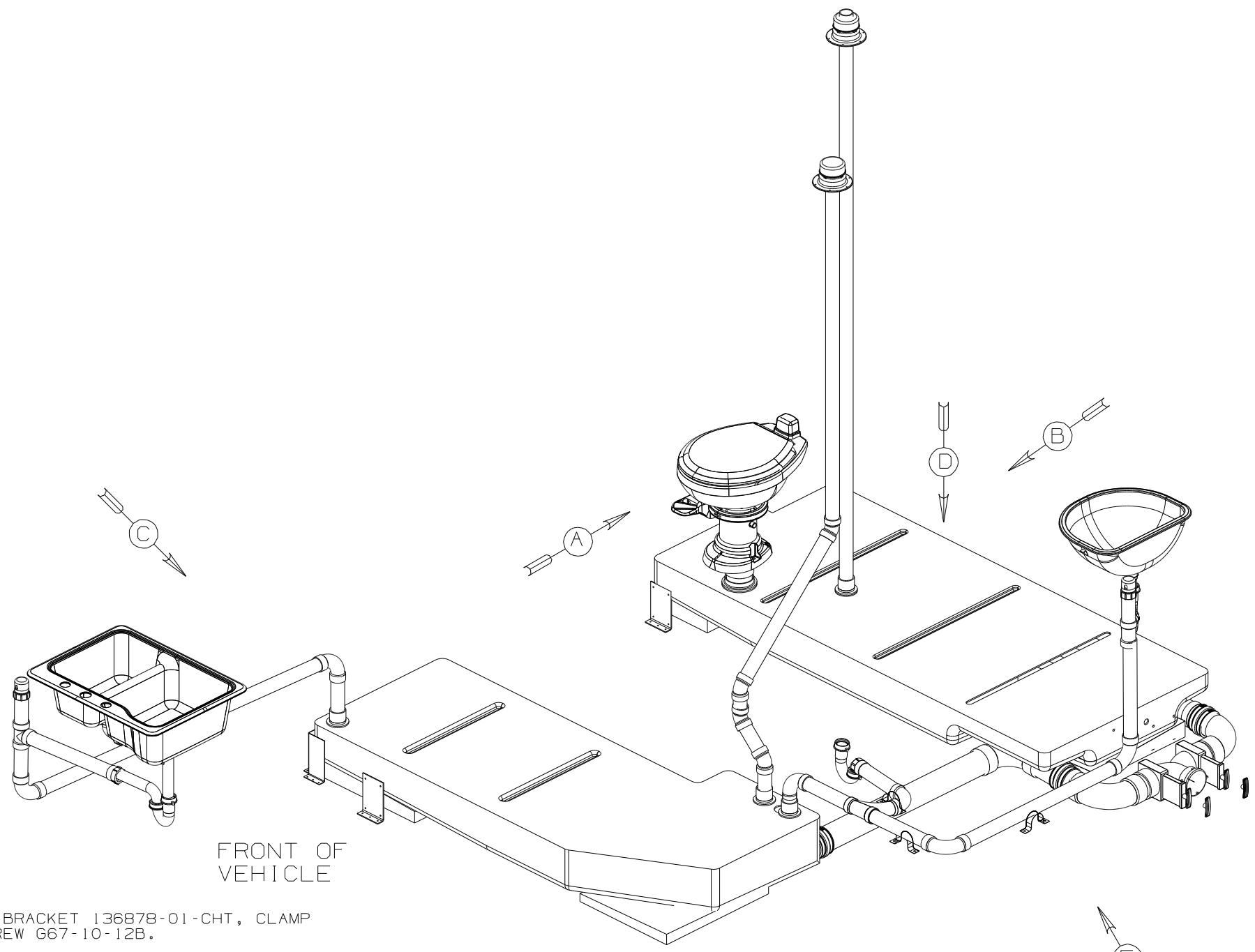


DWG NO	----
149283-01	(WIN)
149283-02	(ITA)

RELEASE	REV DATE	DWG NO
A		149283
REV ZONE	REVISION RECORD	DATE
		DFTR-ORIG



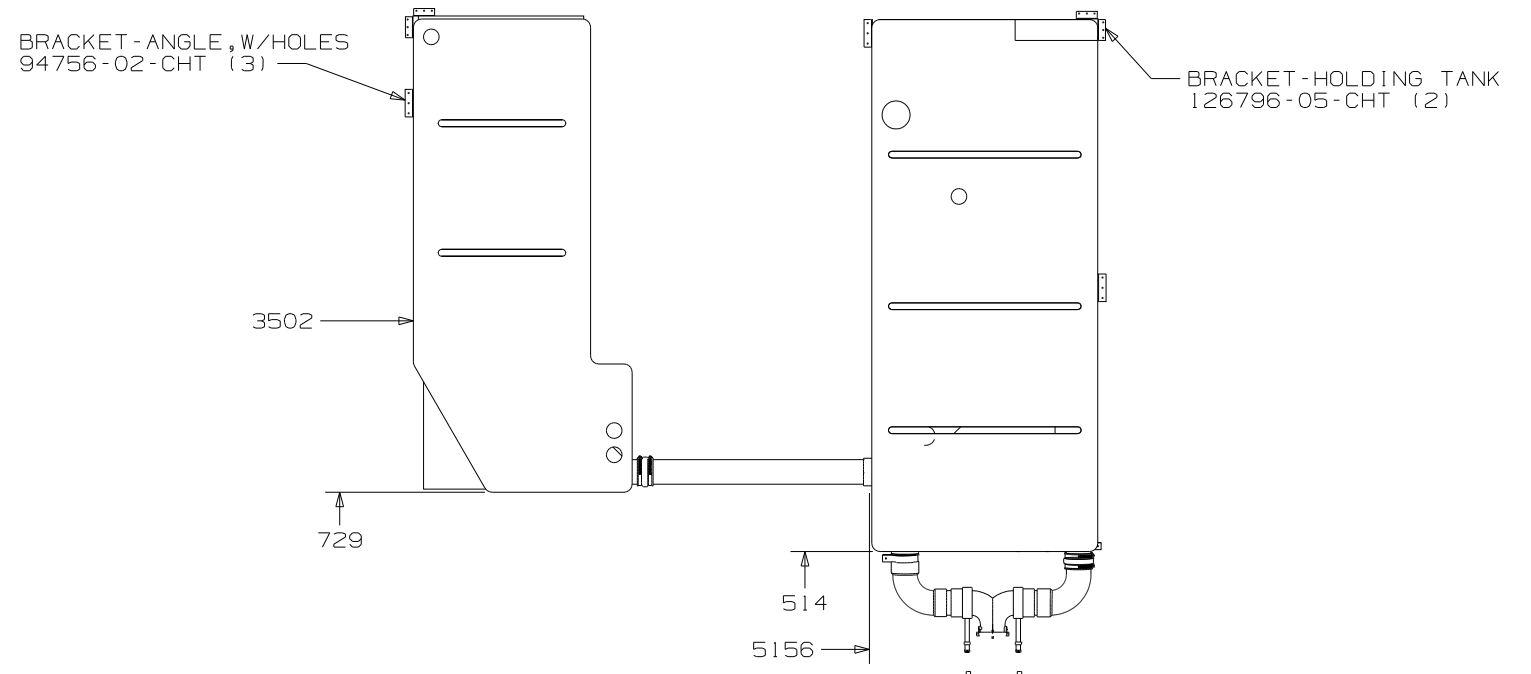
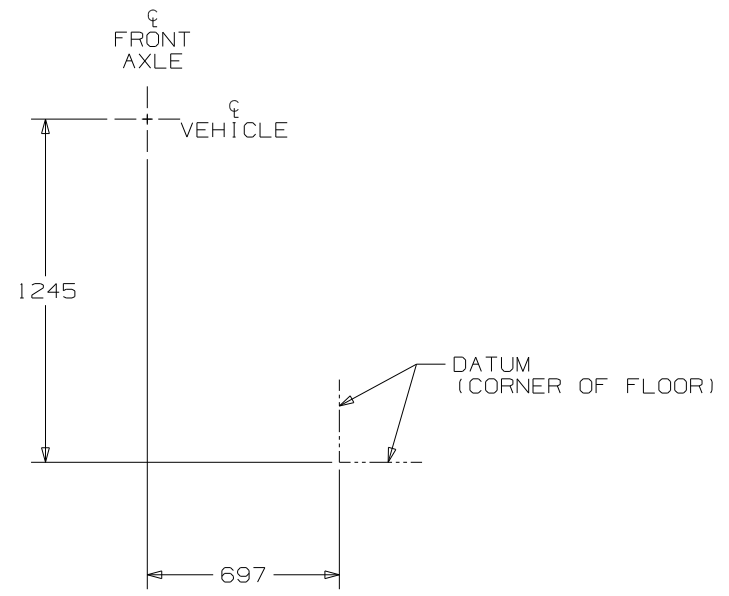
FRONT OF VEHICLE

- NOTES:
- 8. SECURE TO FLOOR WITH BRACKET 136878-01-CHT, CLAMP 62401-02-000, AND SCREW G67-10-12B.
 - 7. VENT PIPE MUST PROJECT 51 MIN AND 64 MAX ABOVE ROOF FOR PROPER FIT AND FUNCTION.
 - 6. FOR CANADIAN UNITS EACH HOLDING TANK SHALL HAVE A CSA APPROVAL STAMPED NEAR THE IAMPO APPROVAL.
 - 5. SEAL AROUND SHOWER WITH SILICONE.
 - 4. ALL EXTERIOR OPENINGS AROUND POPE TO BE SEALED WITH 100744-01-000.
 - 3. ALL PIPE AND FITTINGS TO BE ASSEMBLED WITH SOLVENT 4020-01-000 (US), 4020-02-000 (CAN).
 - 2. SLOPE OF TRAP ARM MUST E 6 PER 305 mm.
 - 1. SLOPE OF HORIZONTAL PIPING TO BE 6 PER 305 mm.

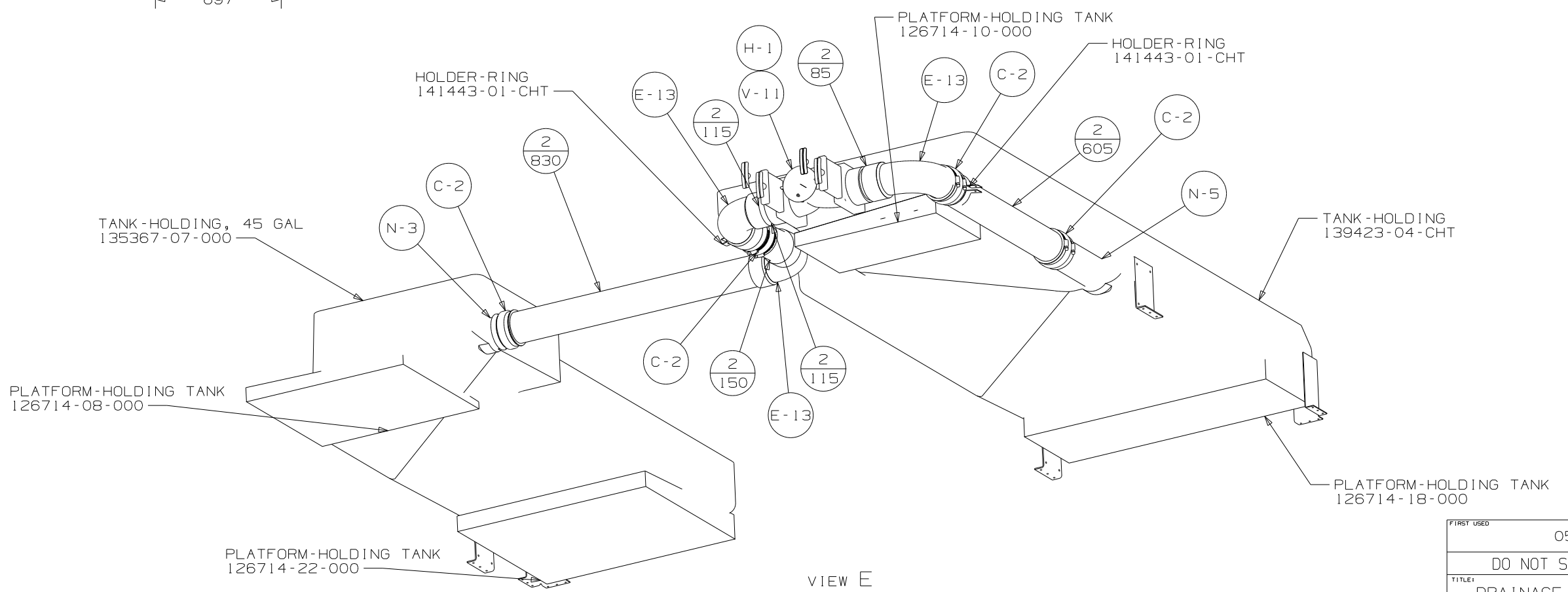
- (WIN) WINNEBAGO ONLY
- (ITA) ITASCA ONLY
- (265) CODES/STANDARDS-CSA/CMVSS
- (1B1) CODES/STANDARDS-USA

(X-X)
FOR DRAINAGE CALLOUTS SEE DWG NO. 116229-01-000

WINNEBAGO		COPYRIGHT 2005 WINNEBAGO INDUSTRIES, INC.	
DFTR	ORIG. DATE	ALL DIMENSIONS ARE IN MILLIMETERS	
CHKR		FIRST USED	
P.E.		05 F33V	
M.E.		UNSPECIFIED TOLERANCES ARE:	
DSNR		MATERIAL:	
		WHOLE DIM (X)	: 3
		ONE-PLACE (X.X)	:
		TWO-PLACE (X.XX)	:
		ANGLE	:
		THIRD ANGLE PROJECTION	⊕
DO NOT SCALE DRAWING			
TITLE: DRAINAGE SYSTEM INSTL			
SHEET 1 OF 3	PART NO	149283	

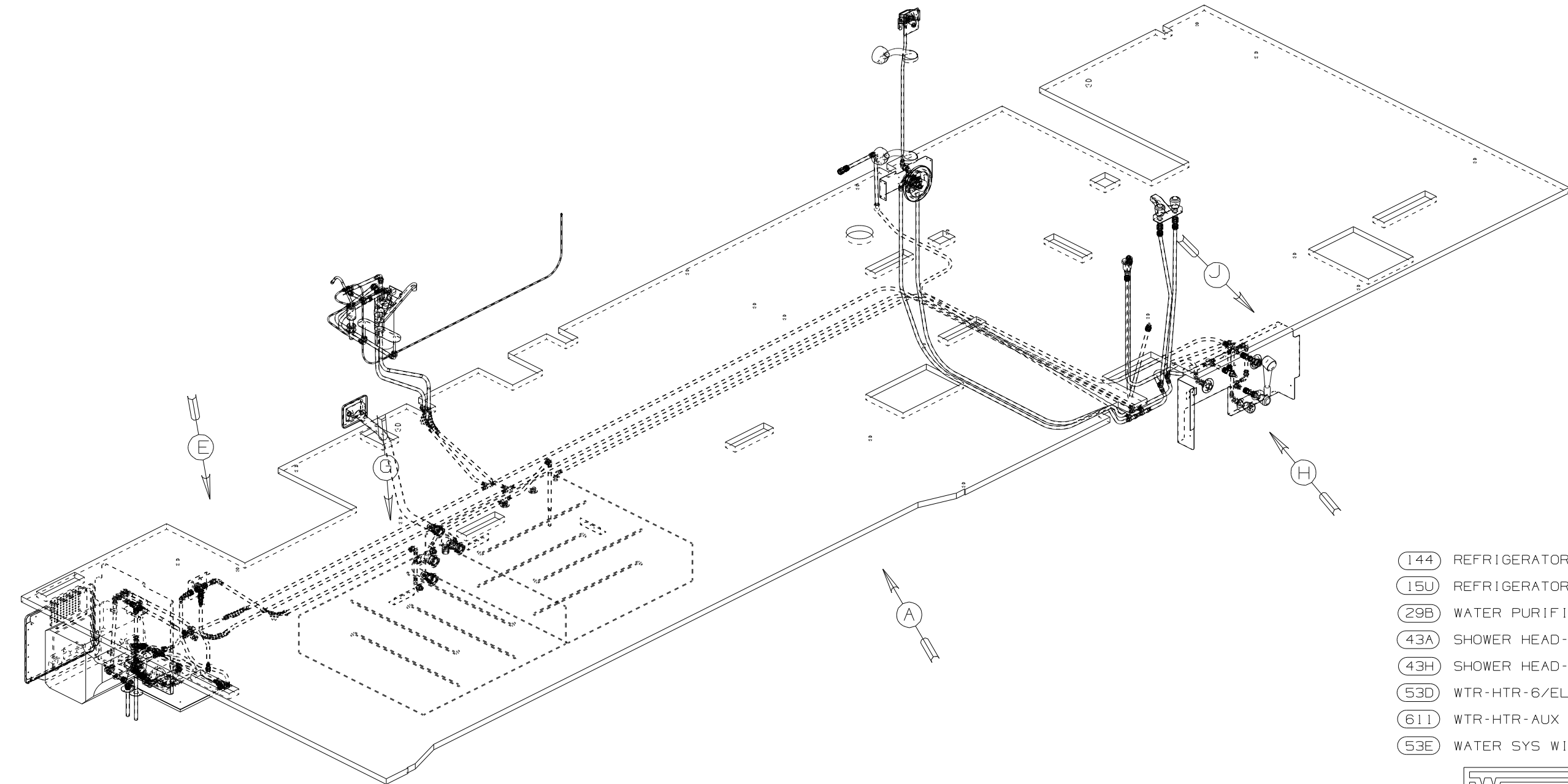


VIEW D



VIEW E

FIRST USED	05 F33V
DO NOT SCALE DRAWING	
TITLE	DRAINAGE SYSTEM INSTL
SHEET 3	PART NO 149283



- (144) REFRIGERATOR-DOUBLE DOOR
- (15U) REFRIGERATOR/FRZR W/ICEMAKER
- (29B) WATER PURIFIER
- (43A) SHOWER HEAD-FIXED
- (43H) SHOWER HEAD-HAND HELD
- (53D) WTR-HTR-6/ELE/LP/MA
- (611) WTR-HTR-AUX AUTO MA
- (53E) WATER SYS WINTERIZATION PKG

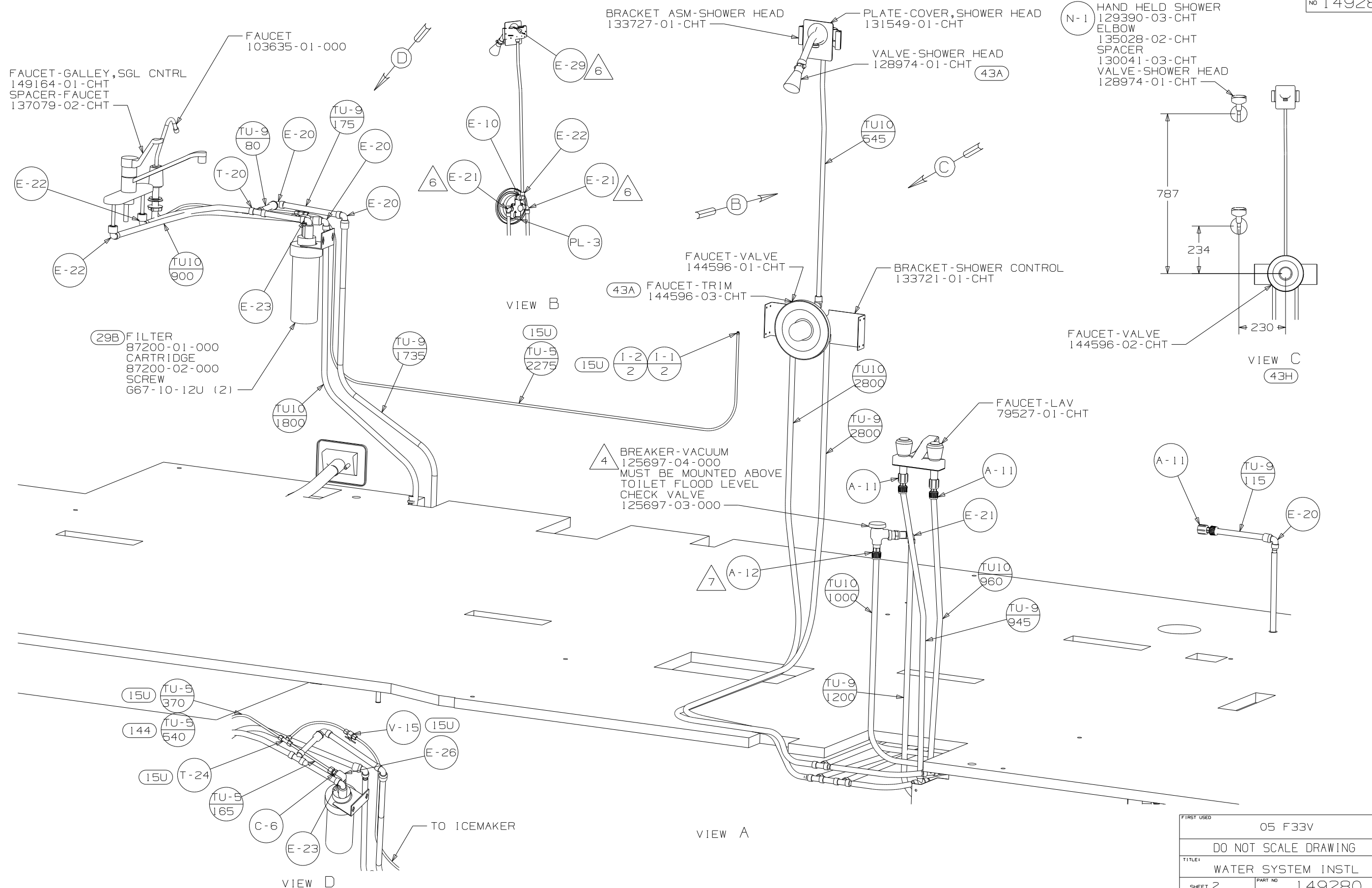
- ▲ 7 ADD TEFLON TAPE 10405-03-000.
- ▲ 6 ADD TEFLON TAPE 10405-01-000.
- ▲ 5 ADD TEFLON TAPE 10405-02-000.
- ▲ 4 FLUSHING SYSTEM REQUIRES 125697-06-000 INSTRUCTION SHEET.

- 3. ALL TUBING TO BE SECURED AT 1200 INTERVALS MAXIMUM WITH CLAMP 10495-01-000 OR CLIP 9151-01-000 AND SCREW 667-10-12B.
- 2. TUBING TO BE INSTALLED WITH SUFFICIENT SLOPE TO PROVIDE DRAINAGE TO NEAREST VALVE.
- 1. PLASTIC FITTINGS TO BE SEALED WITH SEALANT 84456-01-000.

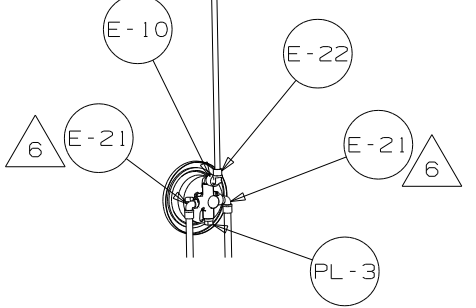
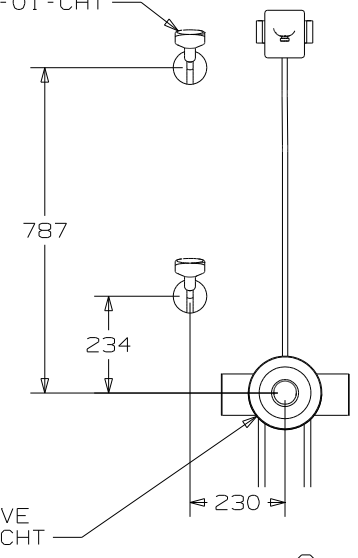
NOTES:

(X-X)
FOR
WATER
CALLOUTS
SEE DWG NO
116230-01-000

WINNEBAGO		COPYRIGHT 2004 WINNEBAGO INDUSTRIES, INC.	
DFTR	ORIG. DATE	ALL DIMENSIONS ARE IN MILLIMETERS	
CHKR		FIRST USED	
P.E.		05 F33V	
M.E.			
DSNR			
UNSPECIFIED TOLERANCES ARE:		MATERIAL:	
WHOLE DIM (X)	: 7		
ONE-PLACE (X.X)	:		
TWO-PLACE (X.XX)	:		
ANGLE	:		
THIRD ANGLE PROJECTION		DO NOT SCALE DRAWING	
TITLE: WATER SYSTEM INSTL			
SHEET 1 OF 4		PART NO 149280	
REF:144944 1 11/1/2004			



- (N-1) HAND HELD SHOWER 129390-03-CHT
- ELBOW 135028-02-CHT
- SPACER 130041-03-CHT
- VALVE-SHOWER HEAD 128974-01-CHT



VIEW B

VIEW C

4 BREAKER-VACUUM 125697-04-000
 MUST BE MOUNTED ABOVE TOILET FLOOD LEVEL
 CHECK VALVE 125697-03-000

FAUCET-GALLEY, SGL CNTRL 149164-01-CHT
 SPACER-FAUCET 137079-02-CHT

FAUCET 103635-01-000

BRACKET ASM-SHOWER HEAD 133727-01-CHT

PLATE-COVER, SHOWER HEAD 131549-01-CHT

VALVE-SHOWER HEAD 128974-01-CHT (43A)

FAUCET-VALVE 144596-01-CHT

(43A) FAUCET-TRIM 144596-03-CHT

BRACKET-SHOWER CONTROL 133721-01-CHT

FAUCET-VALVE 144596-02-CHT

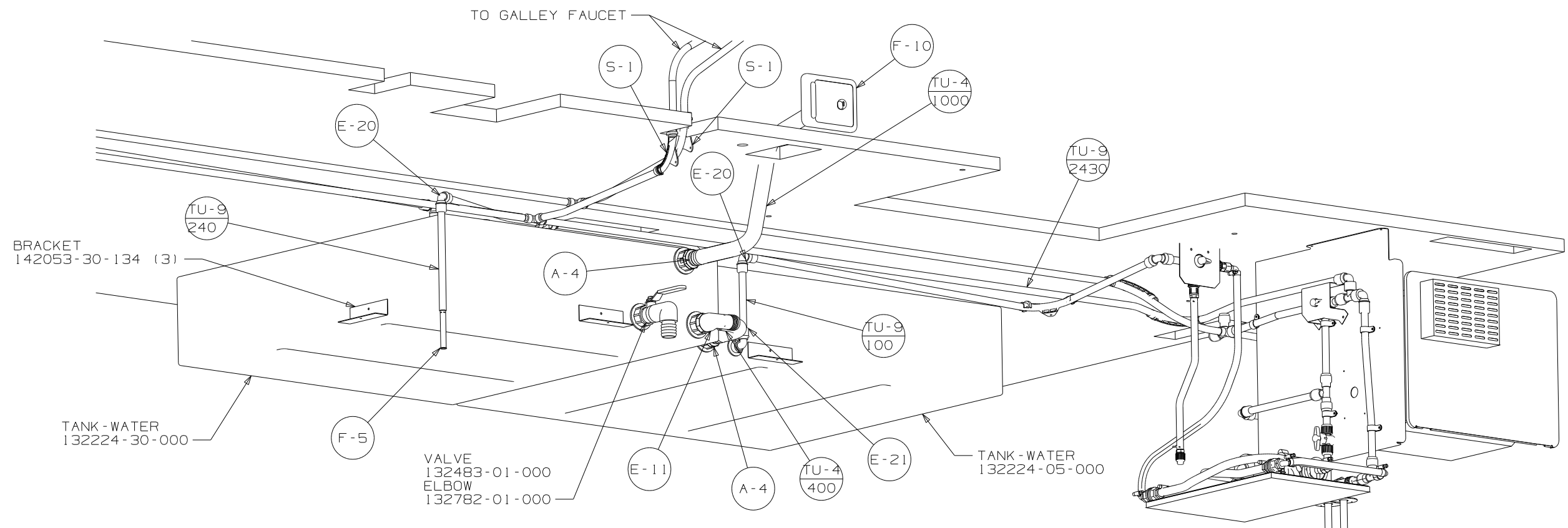
FAUCET-LAV 79527-01-CHT

(29B) FILTER 87200-01-000
 CARTRIDGE 87200-02-000
 SCREW 667-10-12U (2)

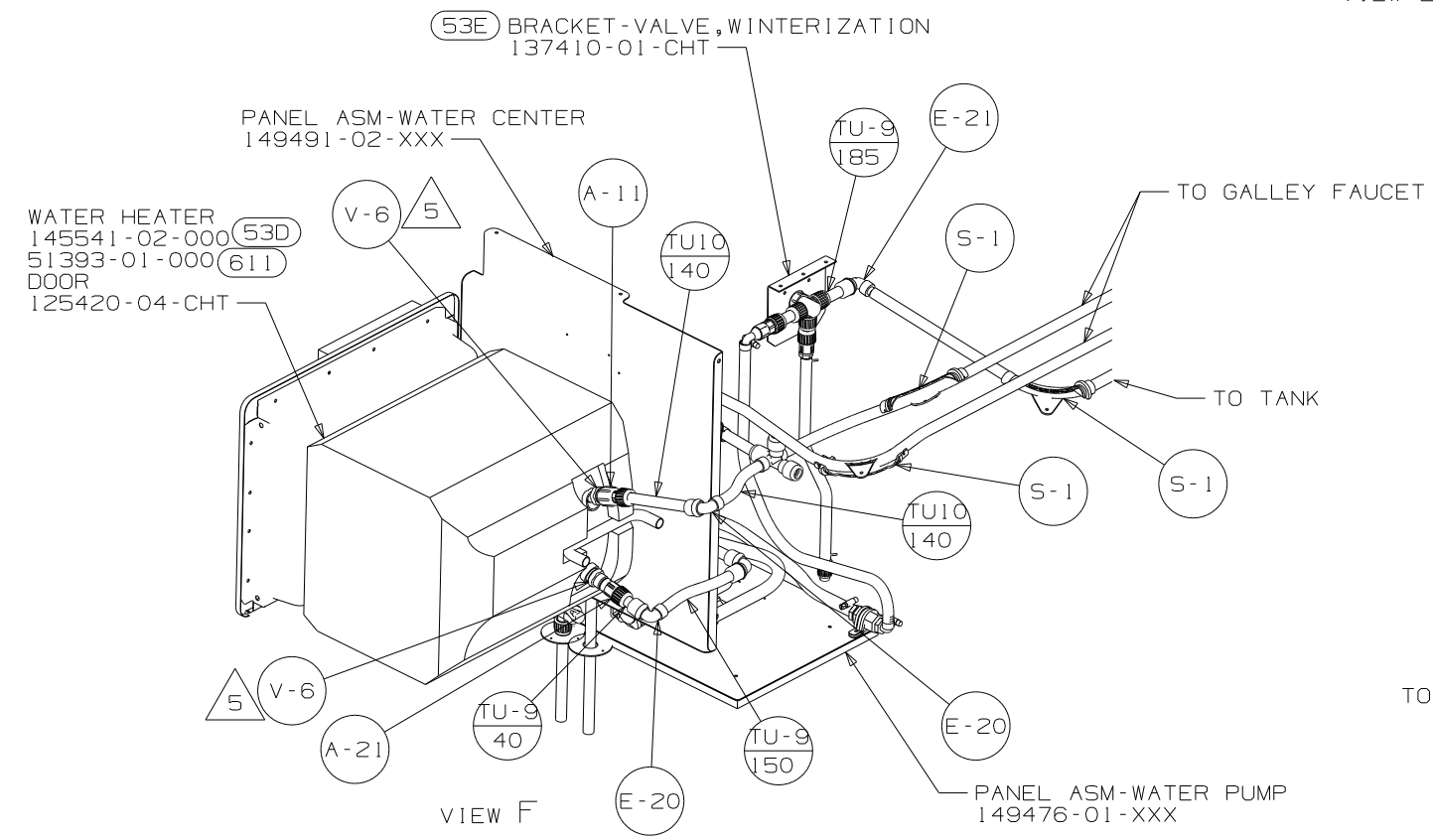
VIEW A

VIEW D

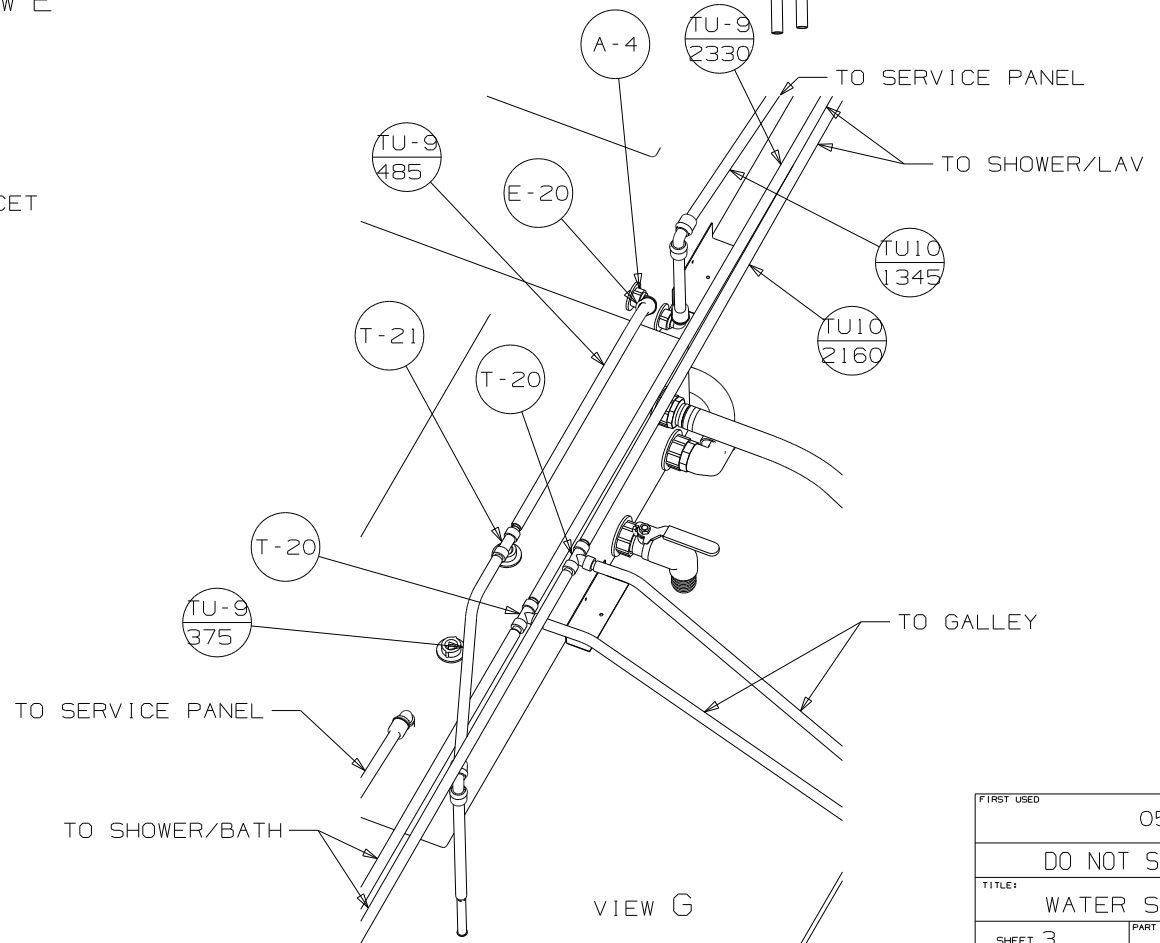
FIRST USED	05 F33V
TITLE	DO NOT SCALE DRAWING
TITLE	WATER SYSTEM INSTL
SHEET 2	PART NO 149280



VIEW E

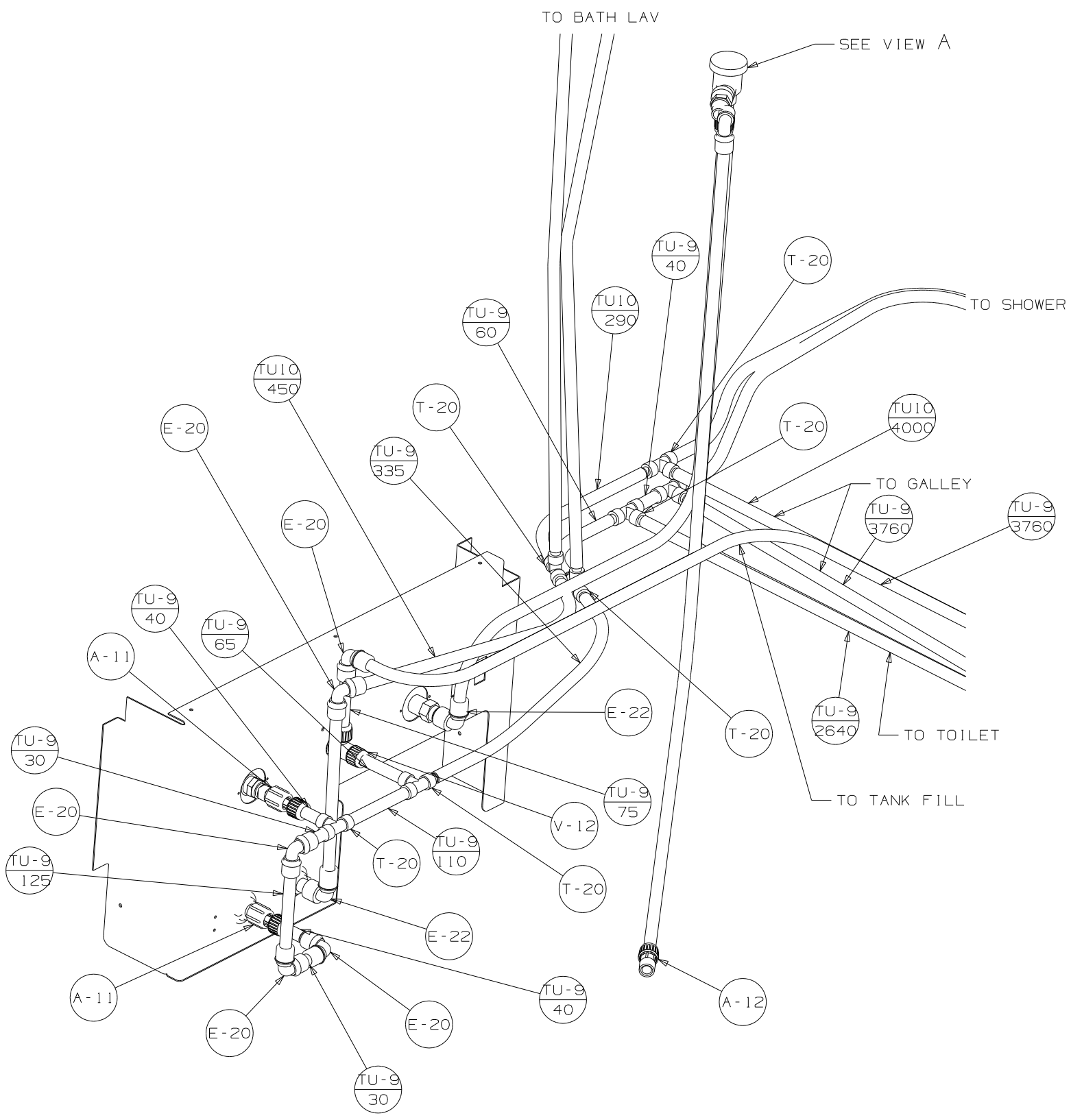


VIEW F



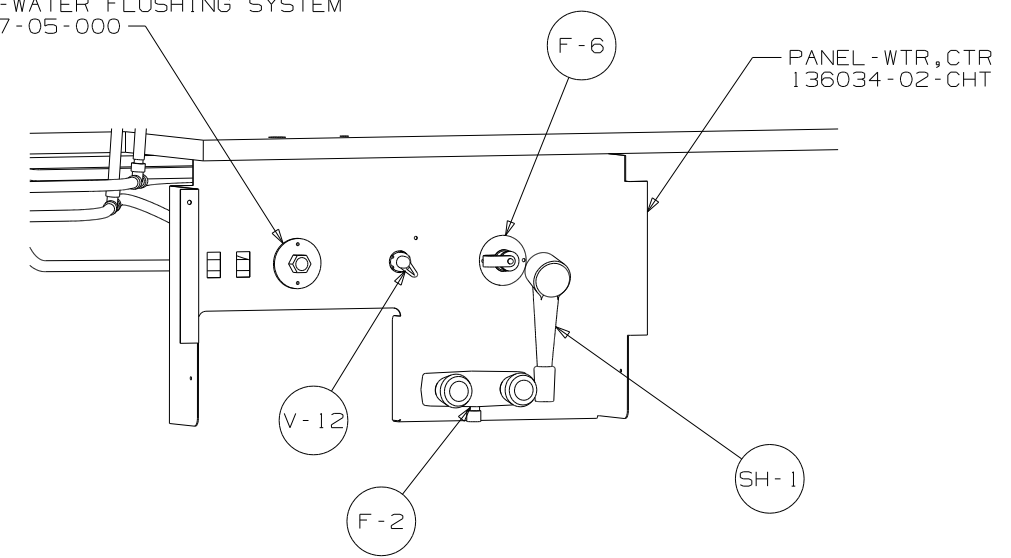
VIEW G

FIRST USED	05 F33V
DO NOT SCALE DRAWING	
TITLE:	WATER SYSTEM INSTL
SHEET 3	PART NO 149280



VIEW J

INLET-WATER FLUSHING SYSTEM
125697-05-000



VIEW H

FIRST USED	05 F33V
TITLE	DO NOT SCALE DRAWING
	WATER SYSTEM INSTL
SHEET 4	PART NO 149280