



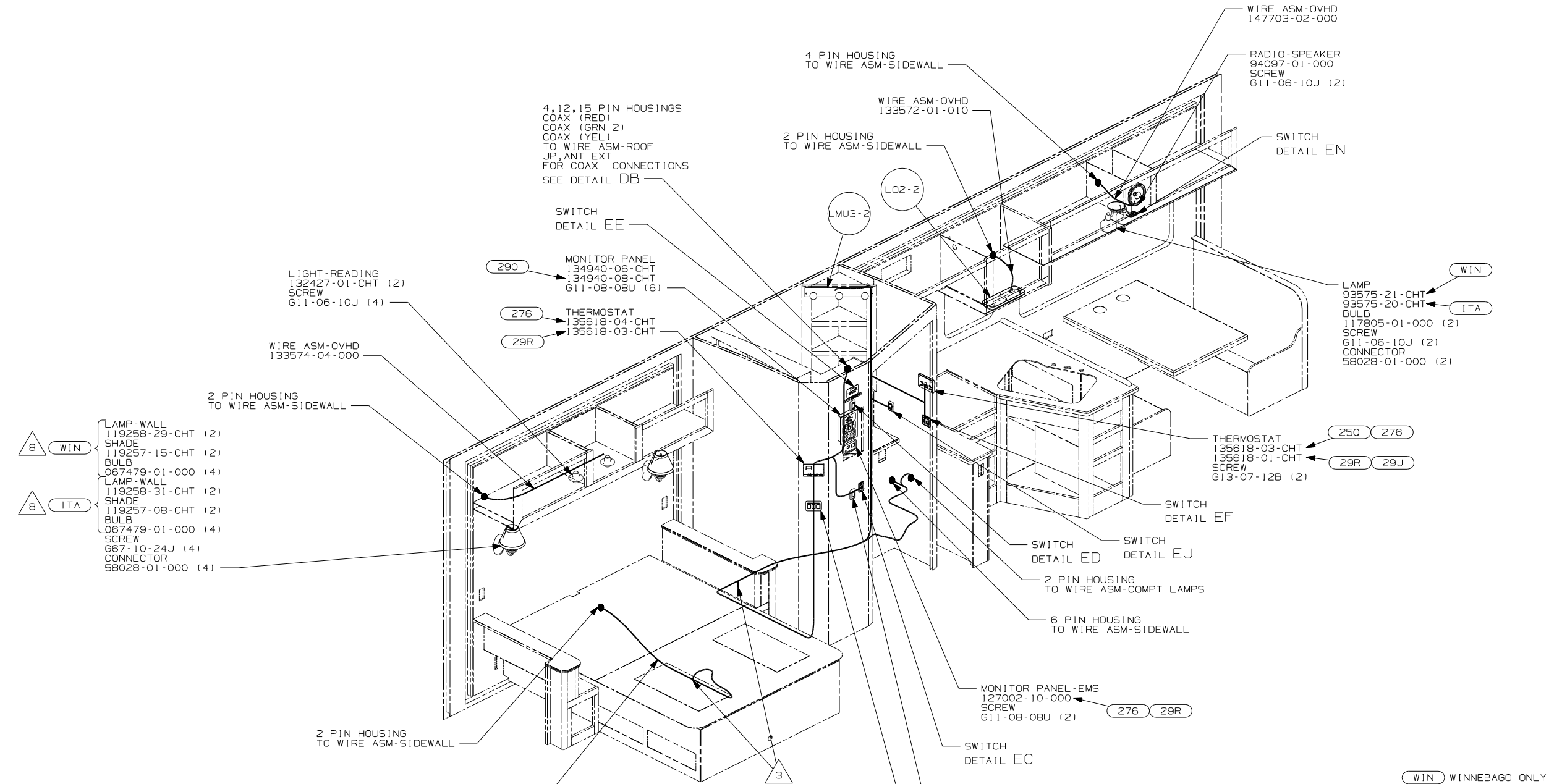
DANGER

Danger of electrical shock, burns or death. Always remove all power sources before attempting any repair, service or diagnostic work. Power can be present from shore power, generator, inverter or battery. All power sources must be disabled and secured before performing any service.



CAUTION

If you lack the skills, tools or equipment to perform diagnostic or repair work leave such work to an authorized Winnebago Industries dealer or other qualified shop.



- △ 8 TOP OF LAMP SHADE/GLOBE TO BE NO LESS THAN 150mm BELOW BOTTOM OF CABINET.
- △ 7 ADD CONDUIT 41953-07 TO WIRE OUT OF ROOF.
- △ 6 MOUNT DEVICE AS CLOSE TO WIRE DROP FROM ROOF AS POSSIBLE.
- △ 5 WIRE IN ROOF.
- △ 4 WIRE IN SIDEWALL.
- △ 3 WIRE PASSES THROUGH FLOOR AT THIS POINT.

2. SEE WIRING DIAGRAM-BODY,12V FOR ADDITIONAL INFORMATION.
1. ALL WIRES TO BE CLAMPED WITH CLAMP 10495-01-000 OR WIRE TIE 8343-02-000 EVERY 600MM, UNLESS OTHERWISE SPECIFIED.

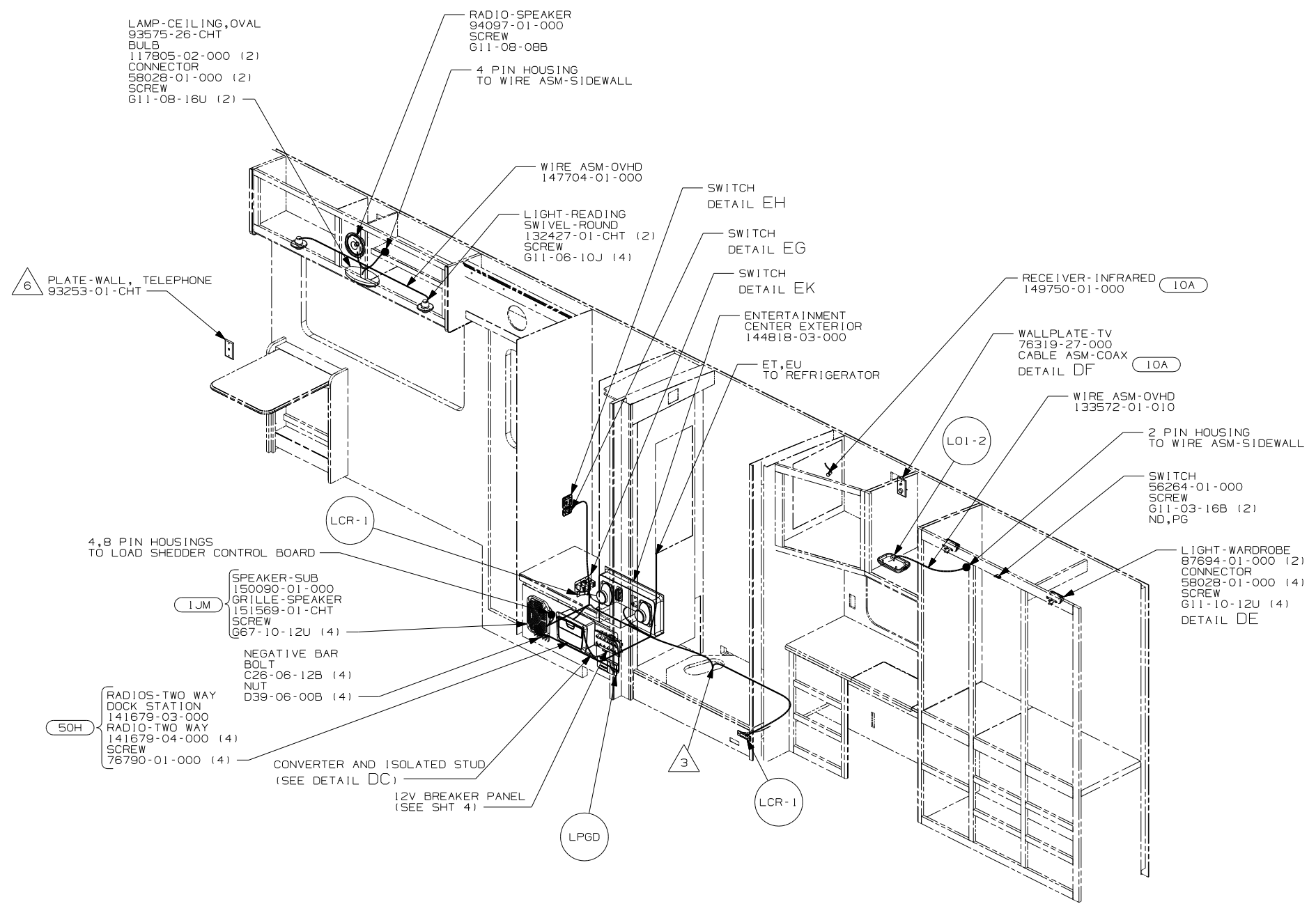
NOTES:

- (WIN) WINNEBAGO ONLY
- (ITA) ITASCA ONLY
- (420) TV-19' COLOR
- (290) SOLAR PANEL - 10 WATT
- (29R) HEAT PUMPS-2-HI EFF
- (276) A/C ROOF-HI EFF (2) W/EMS
- (265) CODES/STANDARDS - CSA/CMVSS
- (1B1) CODES/STANDARDS - USA

FOR ELECTRICAL TORQUE SPECIFICATIONS SEE DWG NO. 128783-01-000

(X-X) FOR ELECTRICAL CALLOUTS SEE DWG NO. 121339-01-000

FIRST USED	05 F31W
TITLE	DO NOT SCALE DRAWING
	WIRING INSTL-BODY,12V
SHEET 2	PART NO 148466



LAMP-CEILING, OVAL
93575-26-CHT
BULB
117805-02-000 (2)
CONNECTOR
58028-01-000 (2)
SCREW
G11-08-16U (2)

RADIO-SPEAKER
94097-01-000
SCREW
G11-08-08B

4 PIN HOUSING
TO WIRE ASM-SIDEWALL

WIRE ASM-OVHD
147704-01-000

LIGHT-READING
SWIVEL-ROUND
132427-01-CHT (2)
SCREW
G11-06-10J (4)

SWITCH
DETAIL EH

SWITCH
DETAIL EG

SWITCH
DETAIL EK

ENTERTAINMENT
CENTER EXTERIOR
144818-03-000

ET, EU
TO REFRIGERATOR

RECEIVER-INFRARED
149750-01-000 (10A)

WALLPLATE-TV
76319-27-000
CABLE ASM-COAX
DETAIL DF (10A)

WIRE ASM-OVHD
133572-01-010

2 PIN HOUSING
TO WIRE ASM-SIDEWALL

SWITCH
56264-01-000
SCREW
G11-03-16B (2)
ND, PG

LIGHT-WARDROBE
87694-01-000 (2)
CONNECTOR
58028-01-000 (4)
SCREW
G11-10-12U (4)
DETAIL DE

6 PLATE-WALL, TELEPHONE
93253-01-CHT

4,8 PIN HOUSINGS
TO LOAD SHEDDER CONTROL BOARD

1JM SPEAKER-SUB
150090-01-000
GRILLE-SPEAKER
151569-01-CHT
SCREW
G67-10-12U (4)

NEGATIVE BAR
BOLT
C26-06-12B (4)
NUT
D39-06-00B (4)

50H RADIOS-TWO WAY
DOCK STATION
141679-03-000
RADIO-TWO WAY
141679-04-000 (4)
SCREW
76790-01-000 (4)

CONVERTER AND ISOLATED STUD
(SEE DETAIL DC)

12V BREAKER PANEL
(SEE SHT 4)

LPGD

- 7 TOP OF LAMP SHADE/GLOBE TO BE NO LESS THEN 150MM BELOW BOTTOM OF CABINET.
- 6 CONNECT TELEPHONE WIRES TO MATCHING COLORS ON PLATE-WALL, TELEPHONE.
- 5 WIRE IN ROOF.
- 4 WIRE IN SIDEWALL.
- 3 WIRE PASSES THROUGH FLOOR AT THIS POINT.

- 2. SEE WIRING DIAGRAM-BODY, 12V FOR ADDITIONAL INFORMATION.
- 1. ALL WIRES TO BE CLAMPED WITH CLAMP 10495-01-000 OR WIRE TIE 8343-02-000 EVERY 600MM, UNLESS OTHERWISE SPECIFIED.

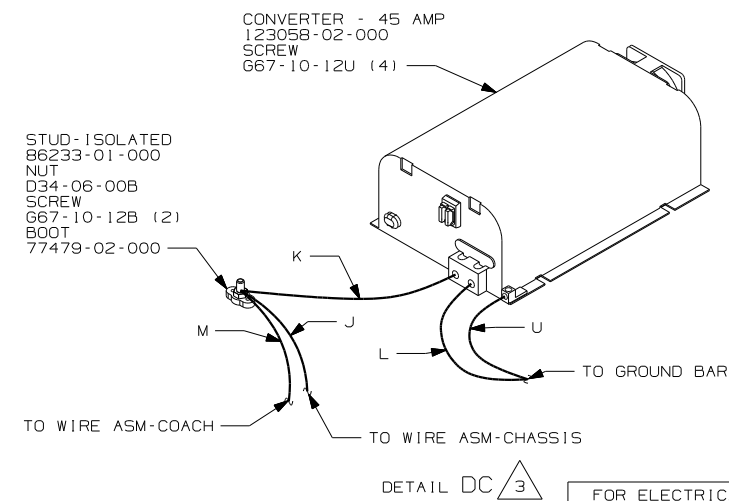
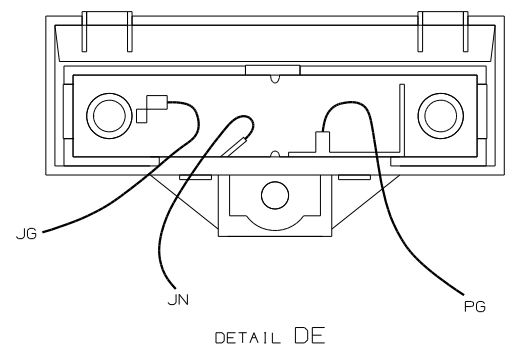
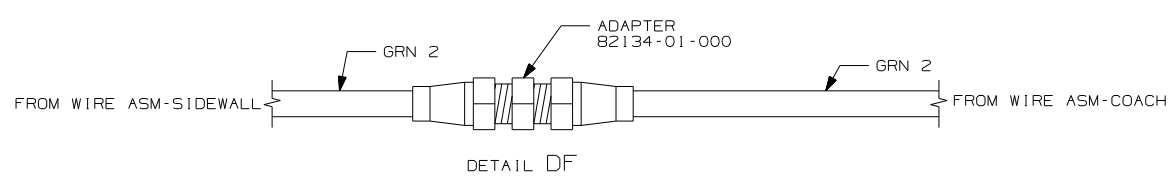
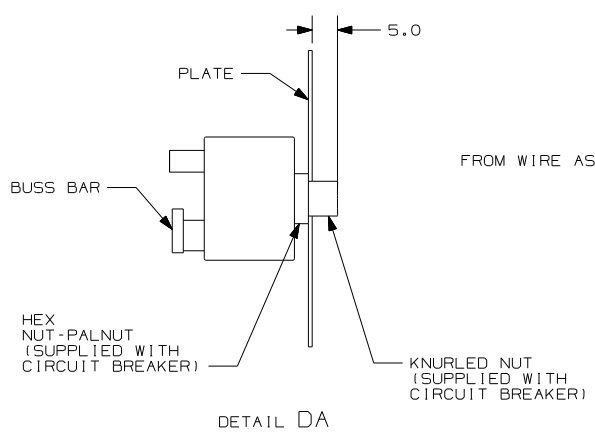
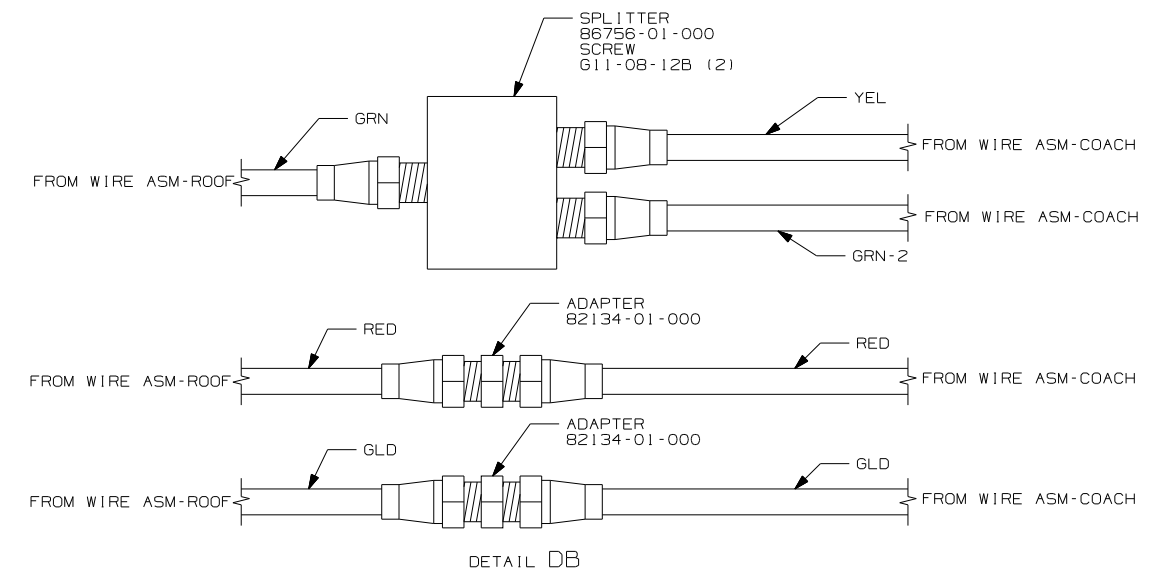
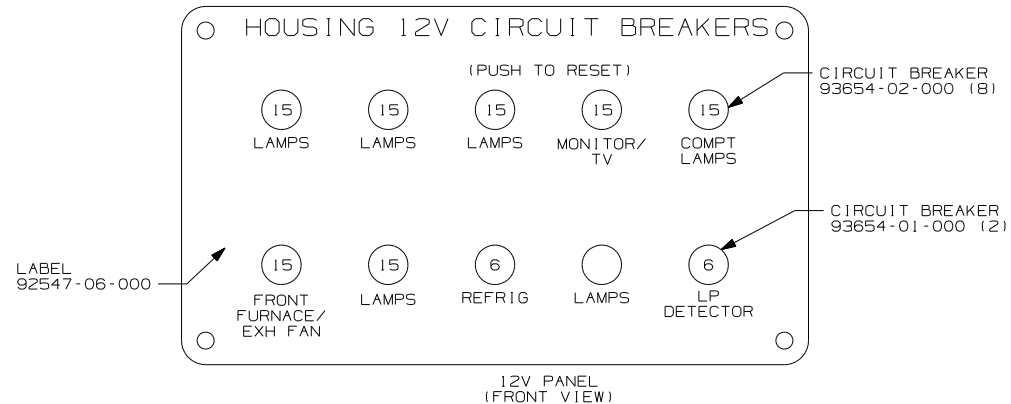
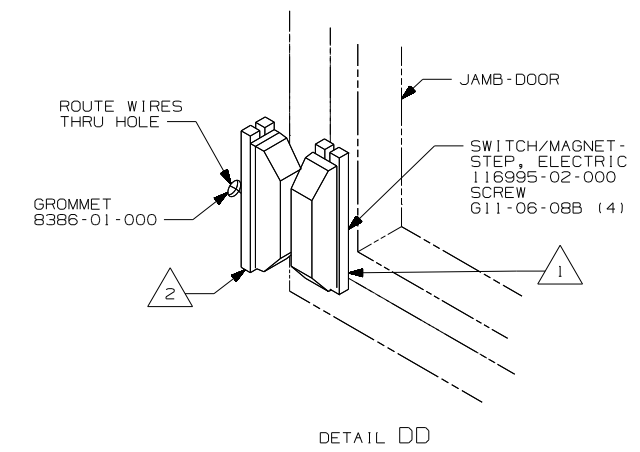
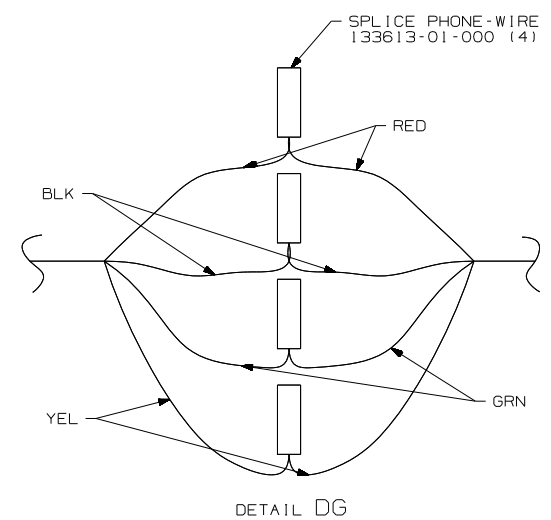
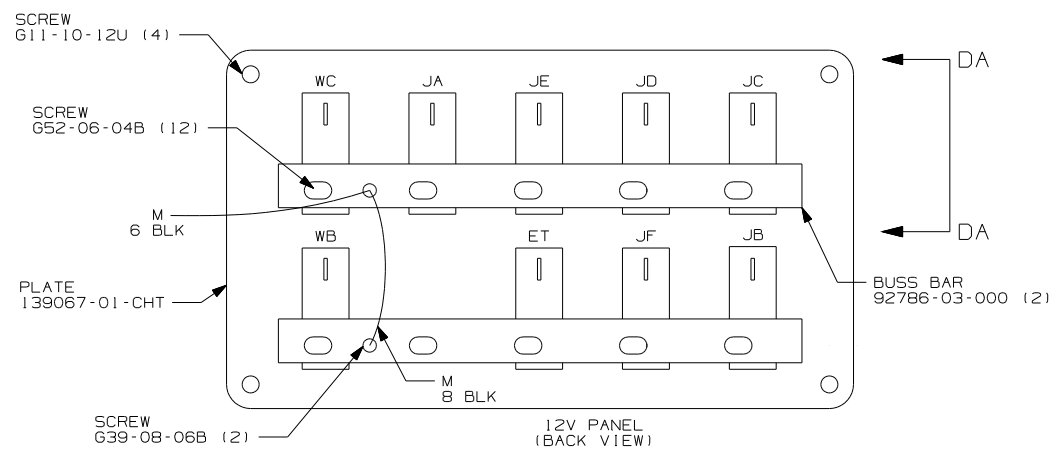
NOTES:

- (WIN) WINNEBAGO ONLY
- (ITA) ITASCA ONLY
- (50H) RADIOS (4) - TWO-WAY
- (265) CODES/STANDARDS - CSA/CMVSS
- (1B1) CODES/STANDARDS - USA
- (10A) TV (REAR) - 20" COLOR, STEREO

FOR ELECTRICAL
TORQUE
SPECIFICATIONS
SEE DWG NO.
128783-01-000

(X-X)
FOR
ELECTRICAL
CALLOUTS
SEE DWG NO.
121339-01-000

FIRST USED	05 F31W
TITLE:	DO NOT SCALE DRAWING
	WIRING INSTL-BODY, 12V
SHEET 3	PART NO 148466



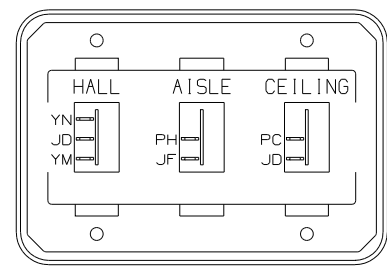
- NOTES:
- 3 FOR POSITIONING DIMENSIONS SEE WIRING INSTL-BODY, 110V SHT 4.
 - 2 MOUNT SWITCH AND SPACER TO BLOCK ON JAMB ADJUST HEIGHT TO MATCH MAGNET.
 - 1 MOUNT MAGNET USING PILOT HOLES IN SCREEN DOOR FRAME. MOUNT WITH MAGNET TOWARD SWITCH.

265 CODES/STANDARDS - CSA/CMVSS
 1B1 CODES/STANDARDS - USA

FIRST USED	05 F31W
TITLE	DO NOT SCALE DRAWING
	WIRING INSTL-BODY, 12V
SHEET 4	PART NO 148466

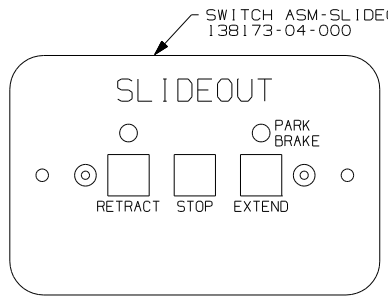
FOR ELECTRICAL TORQUE SPECIFICATIONS SEE DWG NO. 128783-01-000

FOR ELECTRICAL CALLOUTS SEE DWG NO. 121339-01-000



SWITCH-ROCKER
135740-01-CHT (2)
135740-02-CHT
SWITCH-BASE
135741-03-CHT
SWITCH-BEZEL
135742-25-CHT
SCREW
G11-08-08U (4)

DETAIL EA

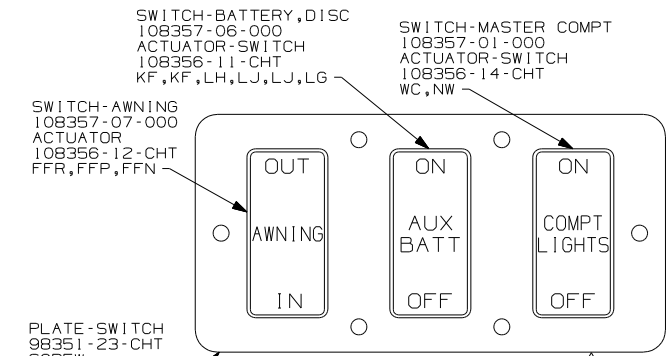


SWITCH ASM-SLIDEOUT
138173-04-000

WARNING UNDERSTAND OPERATOR'S MANUAL BEFORE USING
KEEP PEOPLE AND OBSTRUCTIONS CLEAR OF
SLIDEOUT ROOM WHEN OPERATING TO AVOID
INJURY AND/OR PROPERTY DAMAGE

DETAIL EE

LABEL-WARING
116549-01-000



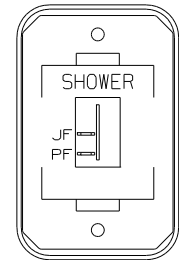
SWITCH-BATTERY, DISC
108357-06-000
ACTUATOR-SWITCH
108356-11-CHT
KF, KF, LH, LJ, LG, LG

SWITCH-MASTER COMPT
108357-01-000
ACTUATOR-SWITCH
108356-14-CHT
WC, NW

SWITCH-AWNING
108357-07-000
ACTUATOR
108356-12-CHT
FFR, FFP, FFN

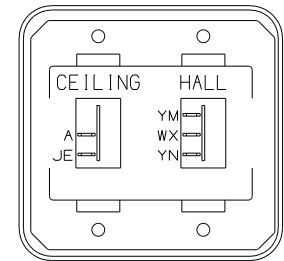
PLATE-SWITCH
98351-23-CHT
SCREW
G11-06-10U (6)

DETAIL EK (52N) 3



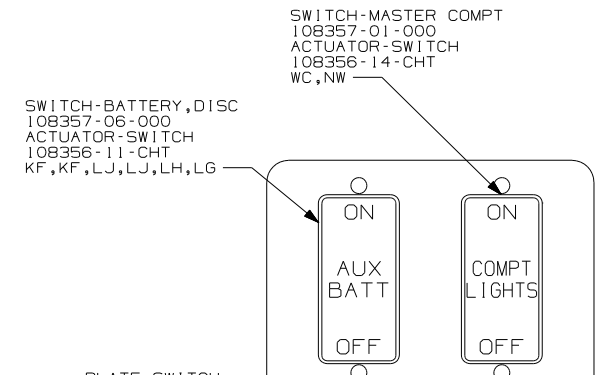
SWITCH-ROCKER
135740-01-CHT
SWITCH-BASE
135741-01-CHT
SWITCH-BEZEL
135742-10-CHT
SCREW
G11-08-08U (2)

DETAIL EB



SWITCH-ROCKER
135740-01-CHT
135740-02-CHT
SWITCH-BASE
135741-02-CHT
SWITCH-BEZEL
135742-16-CHT
SCREW
G11-08-08U (4)

DETAIL EF

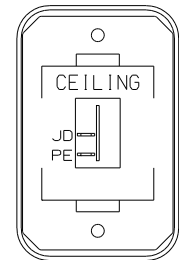


SWITCH-MASTER COMPT
108357-01-000
ACTUATOR-SWITCH
108356-14-CHT
WC, NW

SWITCH-BATTERY, DISC
108357-06-000
ACTUATOR-SWITCH
108356-11-CHT
KF, KF, LJ, LJ, LH, LG

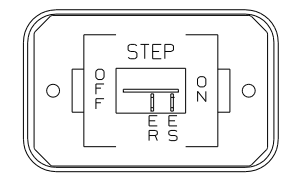
PLATE-SWITCH
98351-22-CHT
SCREW
G11-06-10U (4)

DETAIL EK 2 3



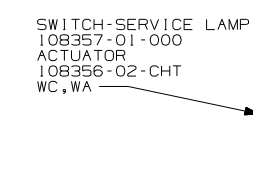
SWITCH-ROCKER
135740-01-CHT
SWITCH-BASE
135741-01-CHT
SWITCH-BEZEL
135742-07-CHT
SCREW
G11-08-08U (2)

DETAIL EC



SWITCH-ROCKER
135740-01-CHT
SWITCH-BASE
135741-01-CHT
SWITCH-BEZEL
135742-11-CHT
SCREW
G11-08-08U (2)

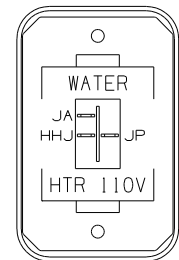
DETAIL EG



SWITCH-SERVICE LAMP
108357-01-000
ACTUATOR
108356-02-CHT
WC, WA

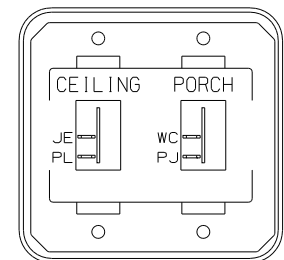
SWITCH-PUMP
108357-15-000
ACTUATOR
108356-04-CHT
JY, AG, JA, AF, JS

DETAIL EL 3



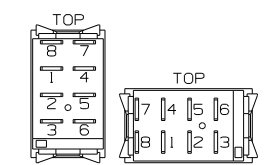
SWITCH-ROCKER
135740-06-CHT
SWITCH-BASE
135741-01-CHT
SWITCH-BEZEL
135742-35-CHT
SCREW
G11-08-08U (2)

DETAIL ED (53D)

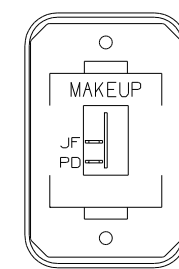


SWITCH-ROCKER
135740-01-CHT (2)
SWITCH-BASE
135741-02-CHT
SWITCH-BEZEL
135742-19-CHT
SCREW
G11-08-08U (4)

DETAIL EH

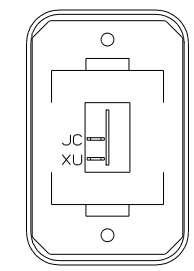


DETAIL EM



SWITCH-ROCKER
135740-01-CHT
SWITCH-BASE
135741-01-CHT
SWITCH-BEZEL
135742-08-CHT
SCREW
G11-08-08U (2)

DETAIL EJ



SWITCH-ROCKER
135740-01-CHT
SWITCH-BASE
135741-01-CHT
SWITCH-BEZEL
135742-01-CHT
SCREW
G11-08-08U (2)

DETAIL EN

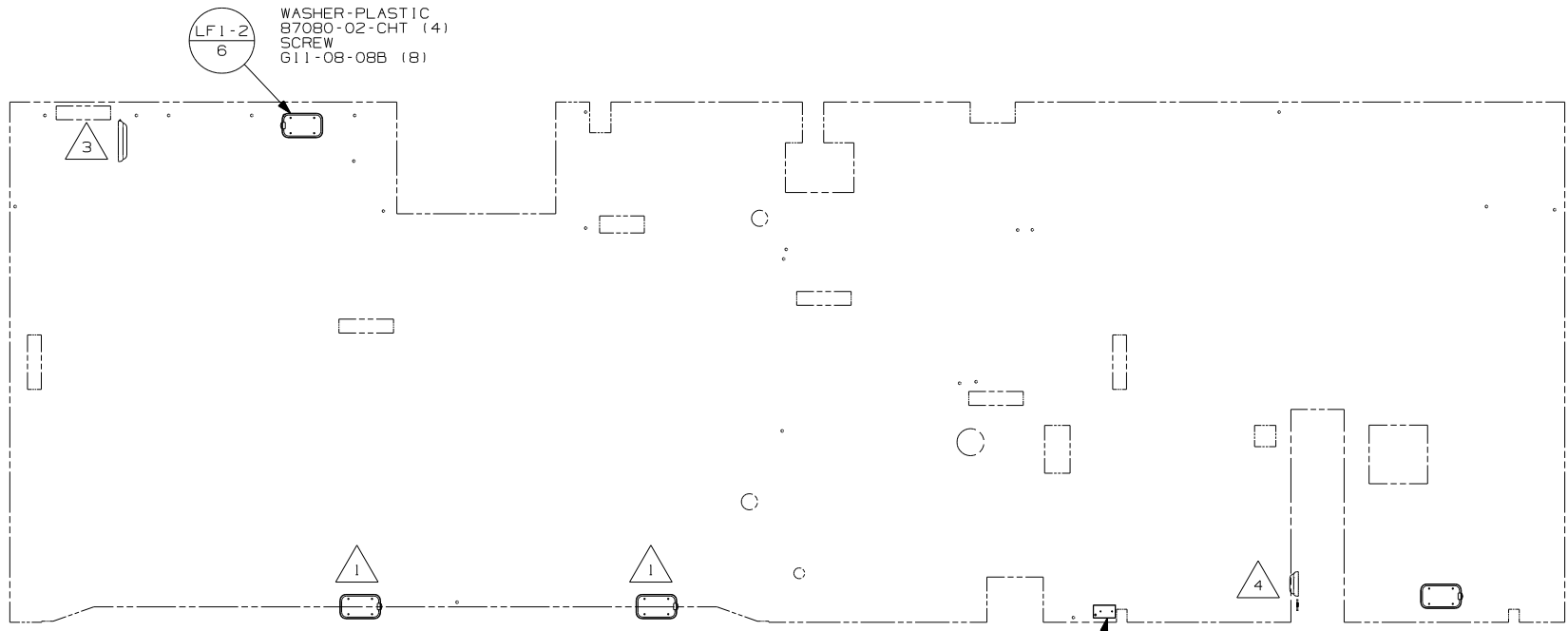
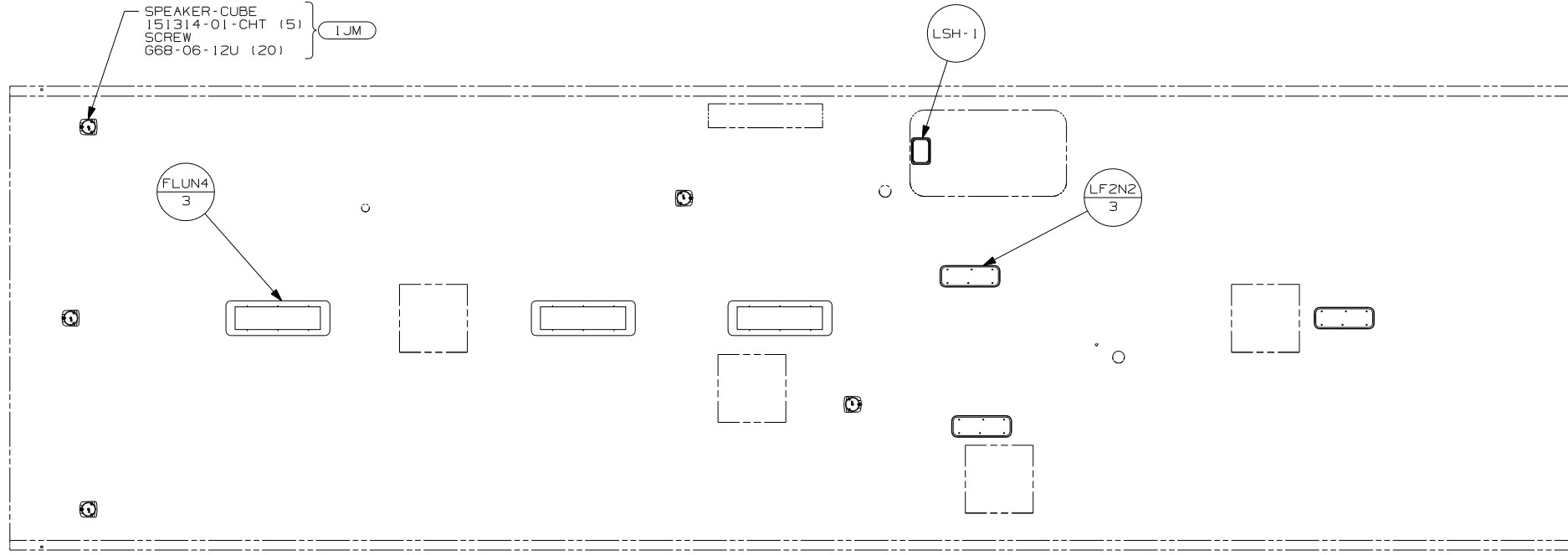
FOR ELECTRICAL
TORQUE
SPECIFICATIONS
SEE DWG NO.
128783-01-000

FOR ELECTRICAL
CALLOUTS
SEE DWG NO.
121339-01-000

- (53D) WTR HTR-6GAL/ELE/LP/MOTORAID
- (52N) AWNING - PAT10, ELECTRIC
- (265) CODES/STANDARDS - CSA/CMVSS
- (1B1) CODES/STANDARDS - USA

FIRST USED	
05 F31W	
DO NOT SCALE DRAWING	
TITLE: WIRING INSTL-BODY, 12V	
SHEET 5	PART NO 148466

3 FOR SWITCH OREINTATION SEE DETAIL EM.
2 WITHOUT (52N).
1. SWITCHES ARE TO BE INSTALLED AS SHOWN ON THIS DRAWING.
NOTES:



- NOTES:
- 4 LAMP LOCATED IN POWER CORD COMPARTMENT.
 - 3 LAMP LOCATED IN WATER HEATER COMPARTMENT.
 - 2 LAMP LOCATED IN SERVICE COMPARTMENT.
 - 1 LAMPS LOCATED IN SLIDEOUT.

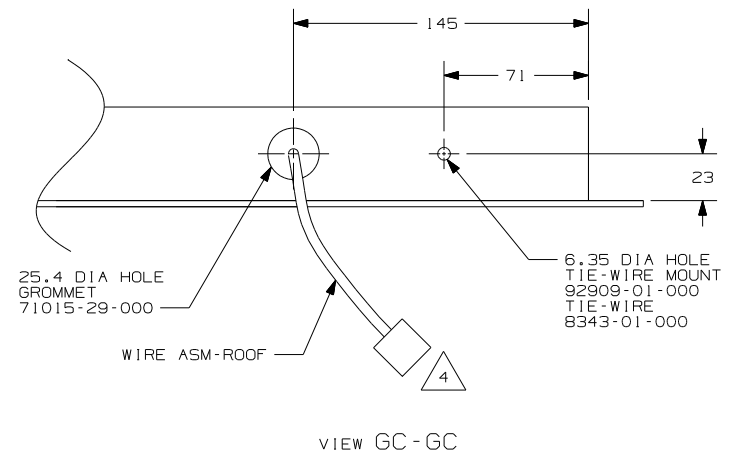
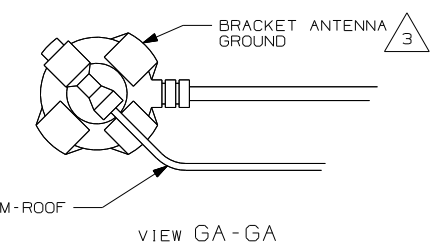
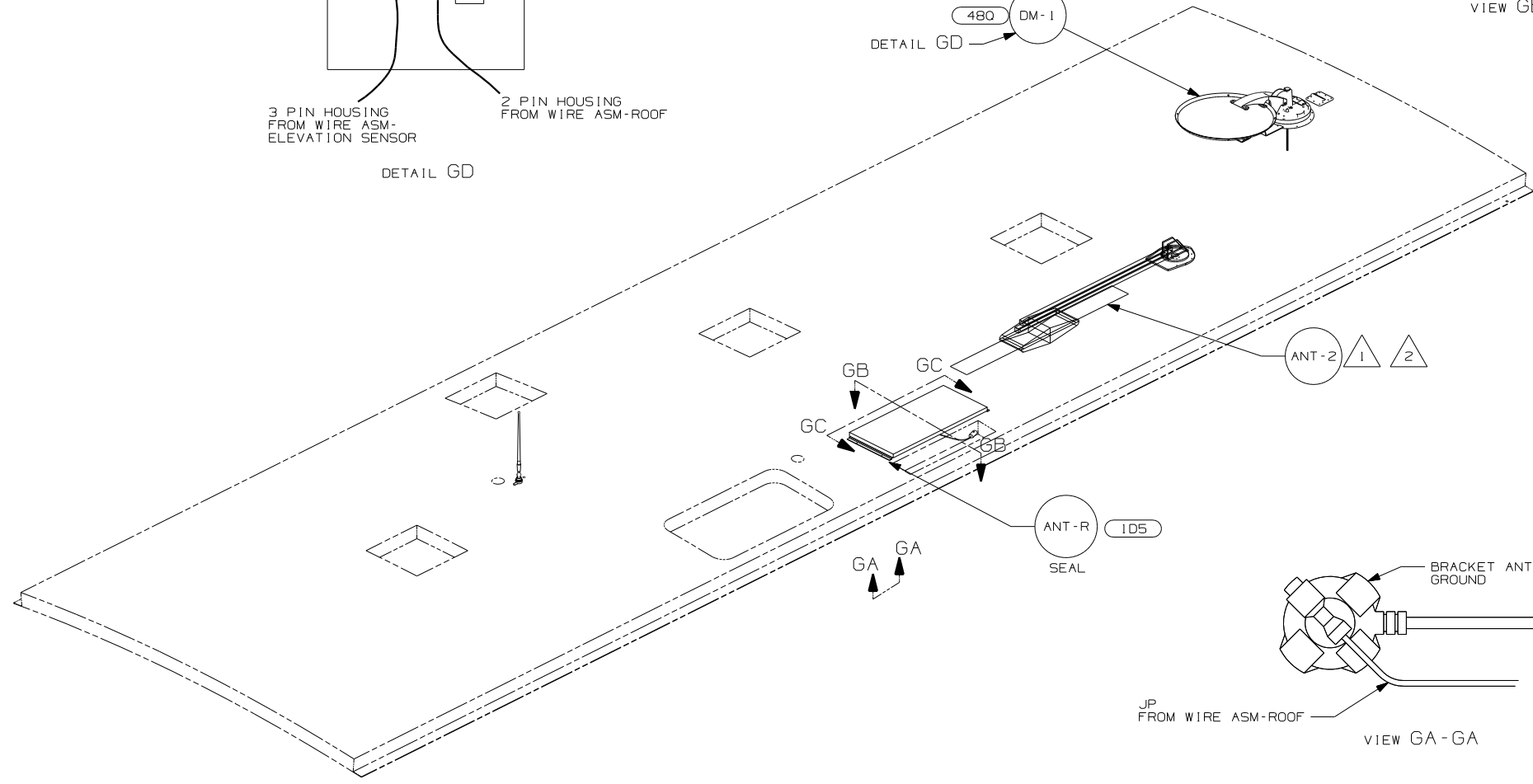
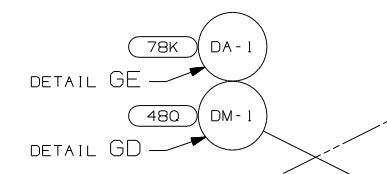
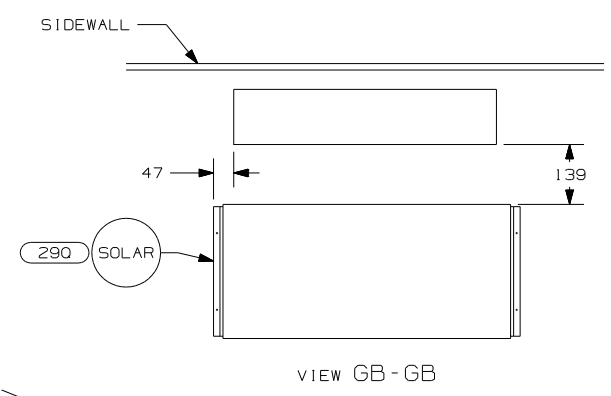
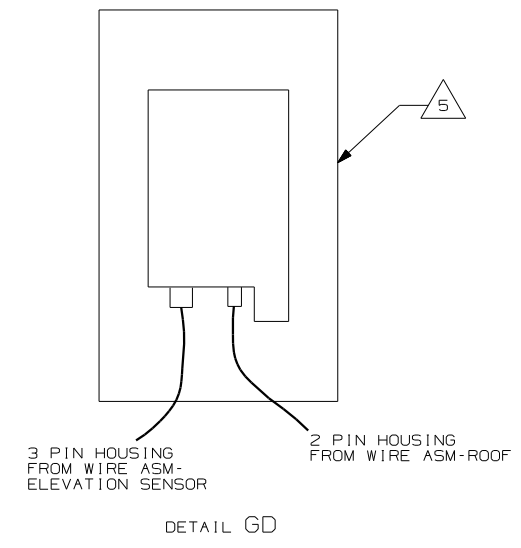
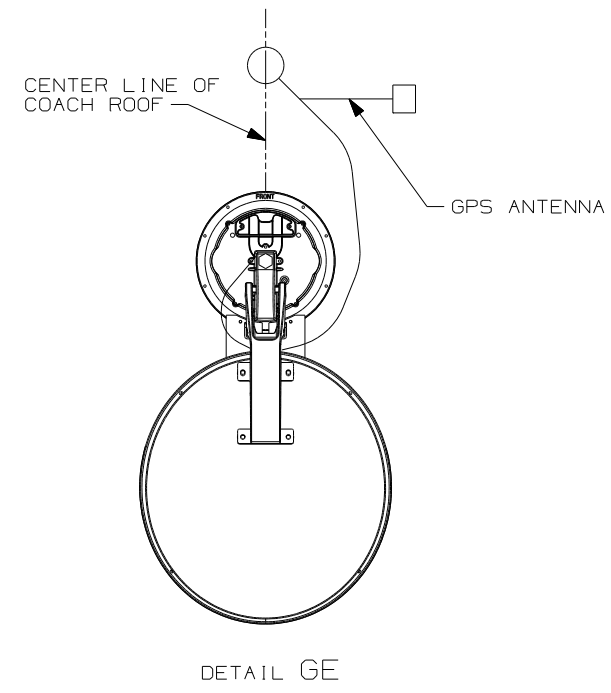
2 LAMP
86280-01-000
SCREW
667-10-12U (4)
CONNECTOR
58028-01-000 (2)
WASHER-PLASTIC
87080-02-CHT (5)

- 48V LIGHTS-FLOURESCENT
- 48M LIGHTS-INCANDESCENT
- 265 CODES/STANDARDS - CSA/CMVSS
- 1B1 CODES/STANDARDS - USA

FOR ELECTRICAL TORQUE SPECIFICATIONS SEE DWG NO. 128783-01-000

FOR ELECTRICAL CALLOUTS SEE DWG NO. 121339-01-000

FIRST USED	05 F31W
TITLE	DO NOT SCALE DRAWING
SHEET 6	WIRING INSTL-BODY, 12V
PART NO	148466



- NOTES:
- 5 SENSOR SUPPLIED WITH SATELLITE ASSEMBLY.
 - 4 FASTEN TO VENT.
 - 3 WRAP BRACKET LEGS AROUND ANTENNA BASE.
 - 2 ADD RUBBER BUMPERS TO ROOF UNDER EACH END OF ANTENNA TO PREVENT CONTACT WITH ROOF.
 - 1 SEE DWG 76319-01-000 FOR INSTALLATION OF TV ANTENNA.

- 78K SATELLITE DISH-AUTOMATIC
- 480 SATELLITE DISH & ELEV.SENSOR
- 290 SOLAR PANEL-10 WATT
- 1D5 ENTERTAINMENT CENTR/EXT W/CD
- 265 CODES/STANDARDS - CSA/CMVSS
- 1B1 CODES/STANDARDS - USA

FOR ELECTRICAL TORQUE SPECIFICATIONS SEE DWG NO. 128783-01-000

FOR ELECTRICAL CALLOUTS SEE DWG NO. 121339-01-000

FIRST USED	
05 F31W	
DO NOT SCALE DRAWING	
TITLE: WIRING INSTL - BODY, 12V	
SHEET 7	PART NO 148466