



DANGER

Danger of electrical shock, burns or death. Always remove all power sources before attempting any repair, service or diagnostic work. Power can be present from shore power, generator, inverter or battery. All power sources must be disabled and secured before performing any service.

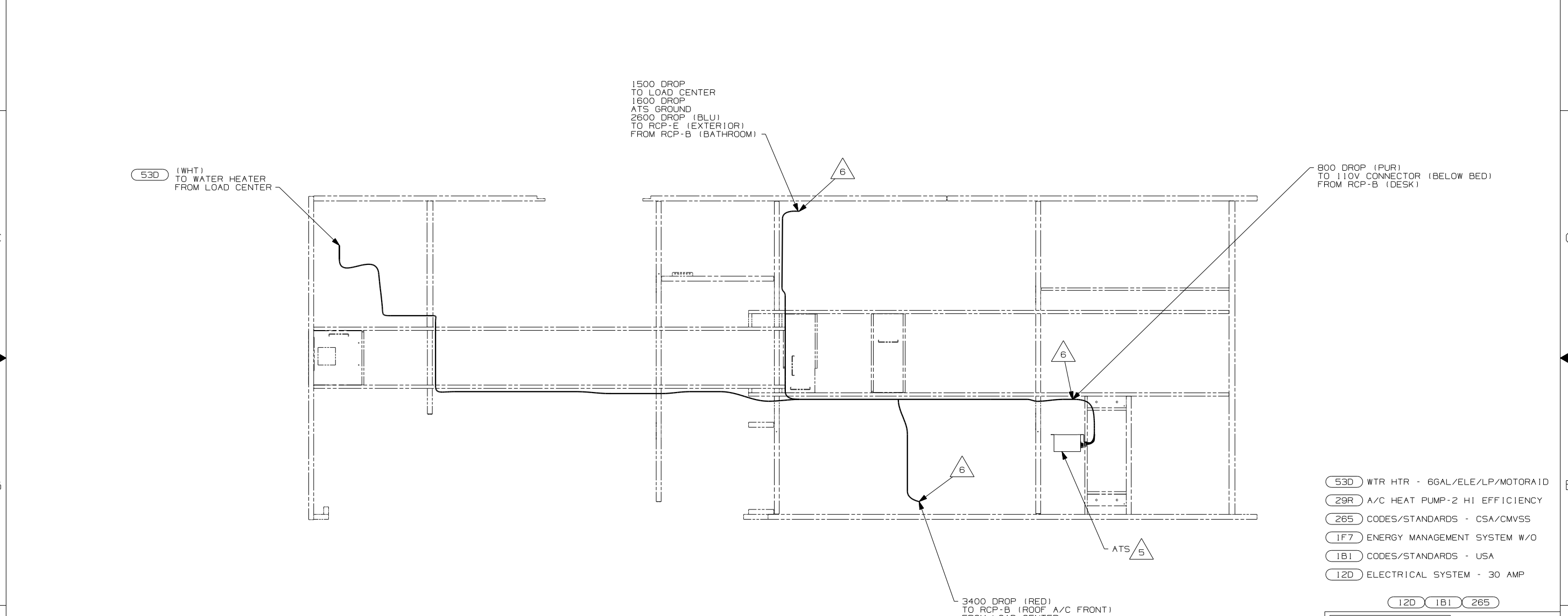


CAUTION

If you lack the skills, tools or equipment to perform diagnostic or repair work leave such work to an authorized Winnebago Industries dealer or other qualified shop.

DRAWING NO.	FEATURE
148465-01	-----
148465-11	(1B1) (12D)
148465-15	(265) (12D)
148465-19	(1B1) (12D) (29R)
148465-20	(265) (12D) (29R)

RELEASE	REV DATE	DWG NO
A		148465
REV ZONE	REVISION RECORD	DATE
		DFTR-016



- 7 MOUNT 4X4 BOX ON BACK OF COMPARTMENT OVER HOLES.
 6 WIRE PASSES THROUGH FLOOR AT THIS POINT.
 5 FOR MORE INFORMATION SEE LOAD CENTER/ATS ASM.
 4. FOR MORE INFORMATION SEE WIRING DIAGRAM-BODY,110V.
 3. ALL GROUND WIRE TO BE COVERED WITH TUBING 8041-02-000.
 2. ALL 110V WIRE TO BE CLAMPED WITH CLAMP 10497-05-000 WITHIN 200MM OF OUTLET BOXES, USE SCREW G67-10-12B.
 1. ALL WIRES TO BE SECURED WITH CLAMP 10495-01-000 OR CLIP B0734-01-000 EVERY 600MM. USE SCREW G67-10-12B UNLESS OTHERWISE SPECIFIED.

- 3400 DROP (RED) TO RCP-B (ROOF A/C FRONT) FROM LOAD CENTER
 3400 DROP (GRN 2) TO RCP-B (ROOF A/C REAR) FROM ATS (BLK) TO 4X4 BOX FROM LOAD CENTER
 1500 DROP (BRN) TO 4X4 BOX FROM LOAD CENTER
 2600 LOOP (BLU) TO GFI-1 (BATHROOM) FROM LOAD CENTER
 FROM RCP-B (REFRIGERATOR)

- (53D) WTR HTR - 6GAL/ELE/LP/MOTORAID
 (29R) A/C HEAT PUMP-2 HI EFFICIENCY
 (265) CODES/STANDARDS - CSA/CMVSS
 (1F7) ENERGY MANAGEMENT SYSTEM W/O
 (1B1) CODES/STANDARDS - USA
 (12D) ELECTRICAL SYSTEM - 30 AMP

(12D) (1B1) (265)

WINNEBAGO COPYRIGHT 2004 WINNEBAGO INDUSTRIES, INC.

DFTR	ORIG. DATE
CHKR	ALL DIMENSIONS ARE IN MILLIMETERS
P.E.	
M.E.	FIRST USED
DSNR	05 F31W

UNSPECIFIED TOLERANCES ARE: MATERIAL:

HOLE DIM (X)	: 1	*
ONE-PLACE (X.X)	: 1.5	*
TWO-PLACE (X.XX)	: 0.50	*
ANGLE	: 1°	*

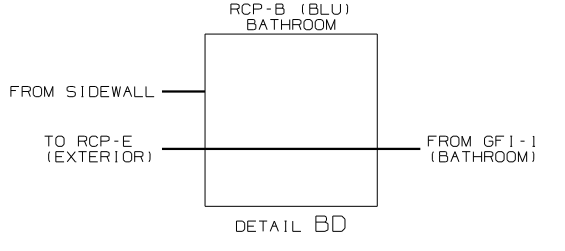
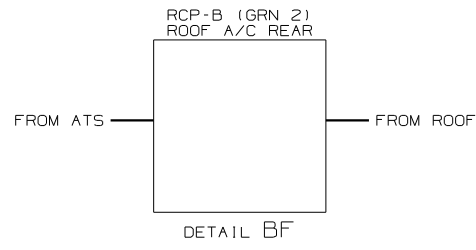
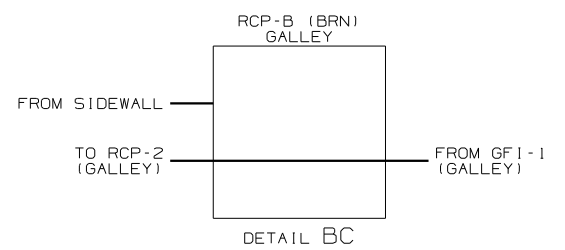
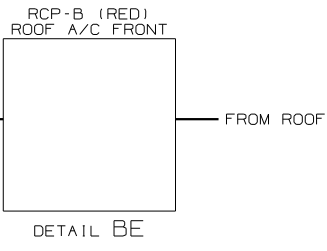
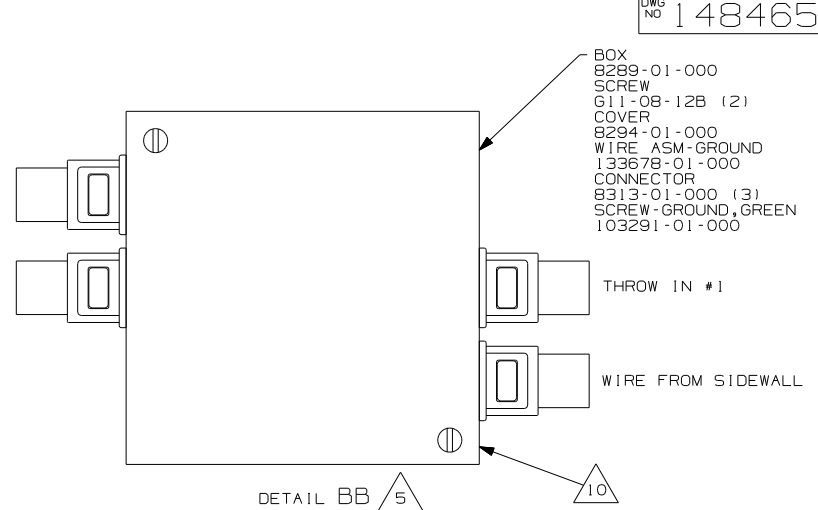
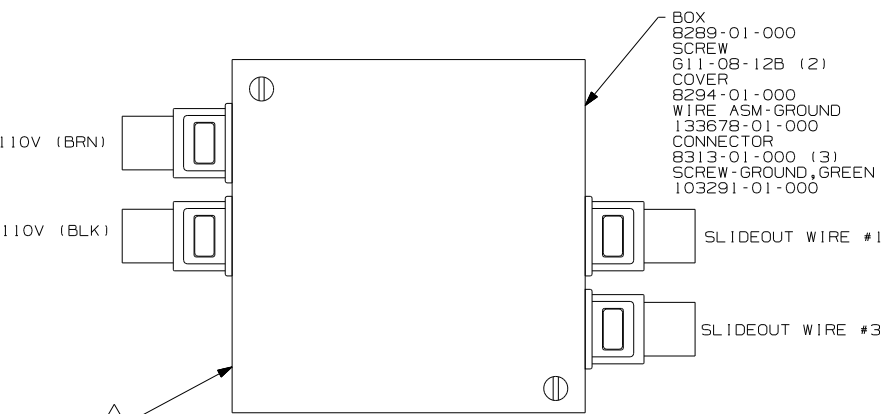
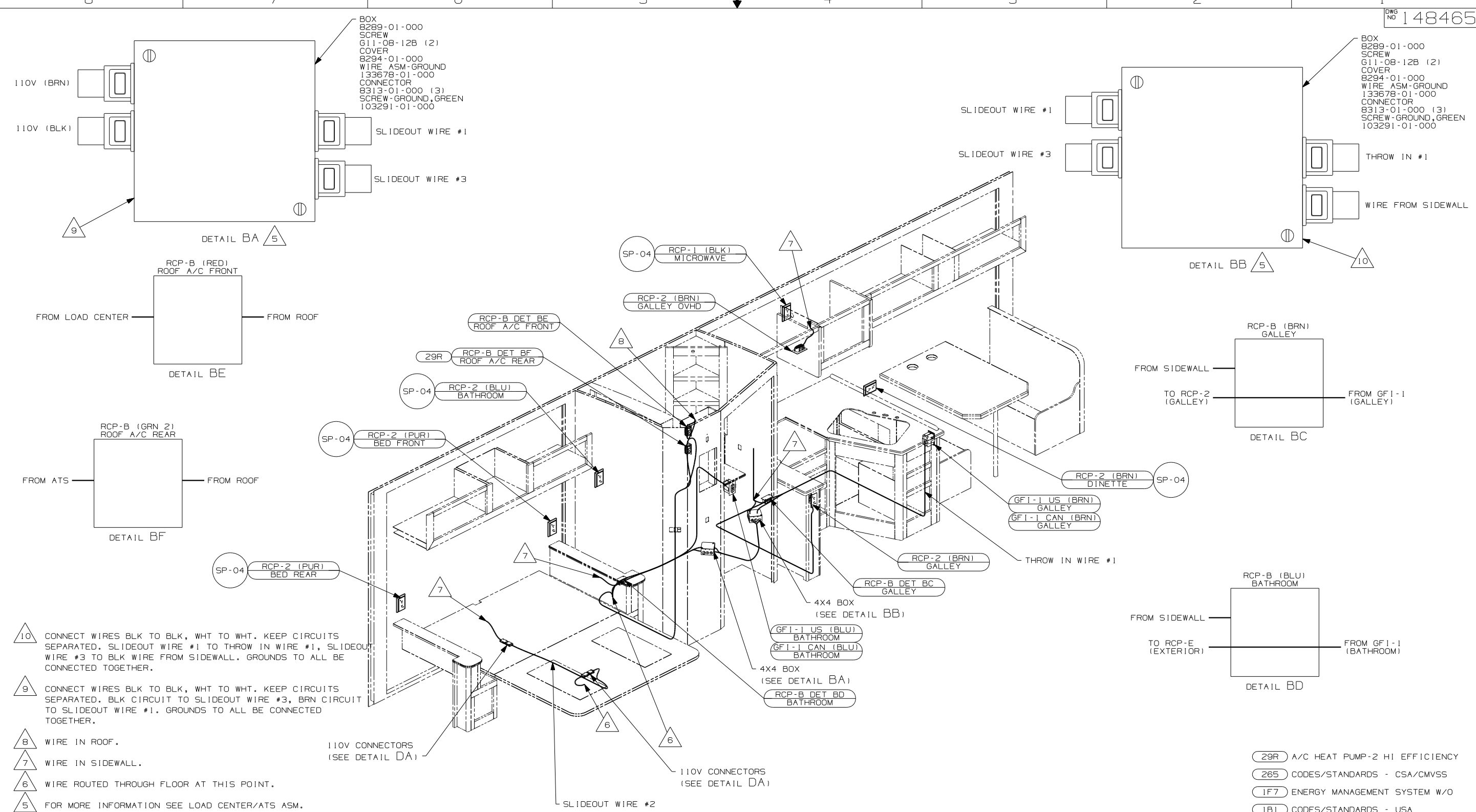
THIRD ANGLE PROJECTION

DO NOT SCALE DRAWING

TITLE: WIRING INSTL-BODY,110V
 SHEET 1 of 4 PART NO 148465

FOR ELECTRICAL TORQUE SPECIFICATIONS SEE DWG NO. 128783-01-000

FOR ELECTRICAL CALLOUTS SEE DWG NO. 121339-01-000



- 10 CONNECT WIRES BLK TO BLK, WHT TO WHT. KEEP CIRCUITS SEPARATED. SLIDEOUT WIRE #1 TO THROW IN WIRE #1, SLIDEOUT WIRE #3 TO BLK WIRE FROM SIDEWALL. GROUNDS TO ALL BE CONNECTED TOGETHER.
- 9 CONNECT WIRES BLK TO BLK, WHT TO WHT. KEEP CIRCUITS SEPARATED. BLK CIRCUIT TO SLIDEOUT WIRE #3, BRN CIRCUIT TO SLIDEOUT WIRE #1. GROUNDS TO ALL BE CONNECTED TOGETHER.
- 8 WIRE IN ROOF.
- 7 WIRE IN SIDEWALL.
- 6 WIRE ROUTED THROUGH FLOOR AT THIS POINT.
- 5 FOR MORE INFORMATION SEE LOAD CENTER/ATIS ASM.

4. FOR MORE INFORMATION SEE WIRING DIAGRAM-BODY, 110V.
3. ALL GROUND WIRES TO BE COVERED WITH TUBING 8041-02-000.
2. ALL 110V WIRE TO BE CLAMPED WITH CLAMP 10497-05-000 WITHIN 200MM OF OUTLET BOXES, USE SCREW 667-10-12B.
1. ALL WIRES TO BE SECURED WITH CLAMP 10495-01-000 OR CLIP 80734-01-000 EVERY 600MM. USE SCREW 667-10-12B UNLESS OTHERWISE SPECIFIED.

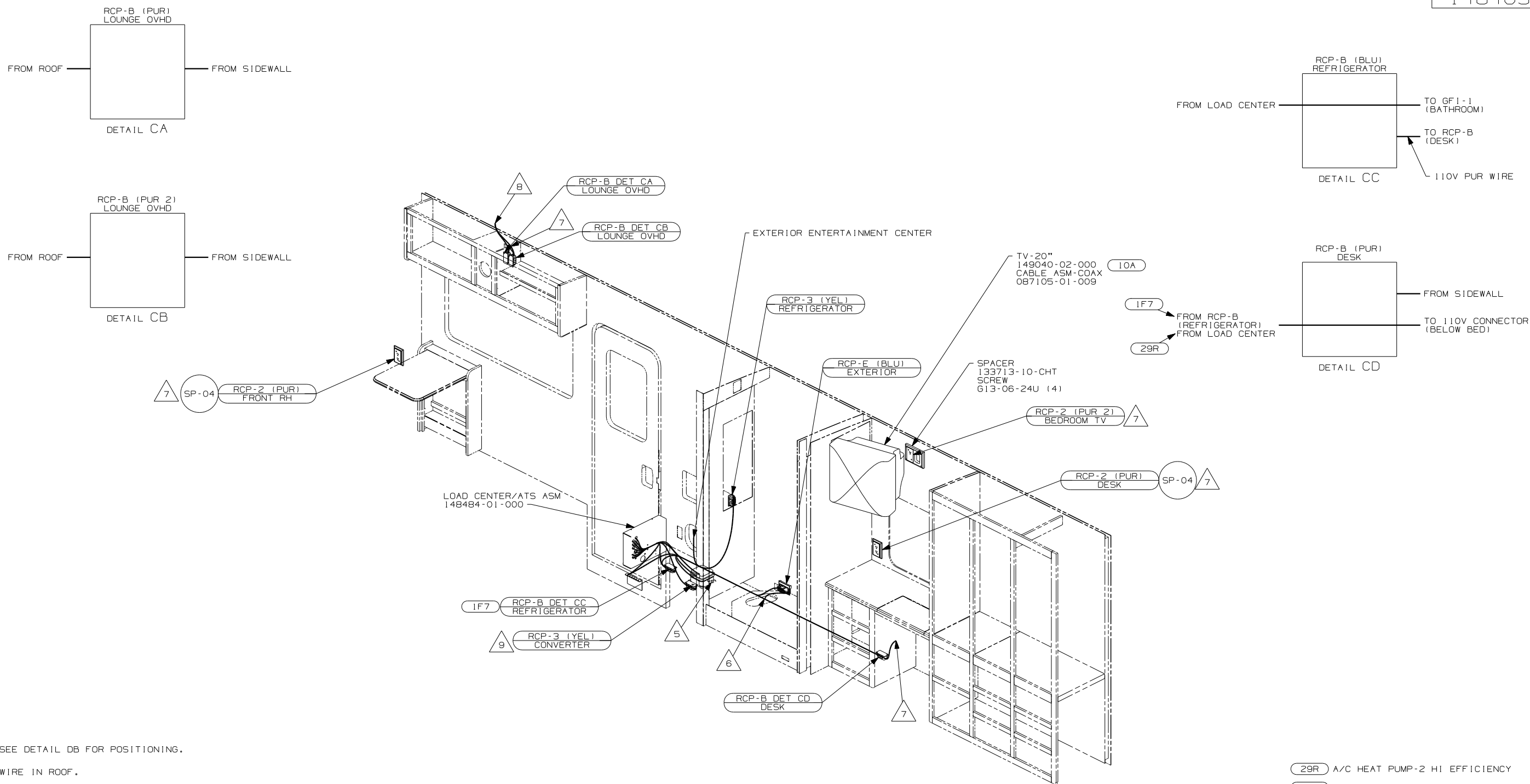
NOTES:

- (29R) A/C HEAT PUMP-2 HI EFFICIENCY
- (265) CODES/STANDARDS - CSA/CMVSS
- (IF7) ENERGY MANAGEMENT SYSTEM W/O
- (1B1) CODES/STANDARDS - USA
- (12D) ELECTRICAL SYSTEM - 30 AMP

FOR ELECTRICAL TORQUE SPECIFICATIONS SEE DWG NO. 128783-01-000

(X-X) FOR ELECTRICAL CALLOUTS SEE DWG NO. 121339-01-000

FIRST USED	05 F31W
TITLE	DO NOT SCALE DRAWING
WIRING INSTL-BODY, 110V	
SHEET 2	PART NO 148465



- 9 SEE DETAIL DB FOR POSITIONING.
- 8 WIRE IN ROOF.
- 7 WIRE IN SIDEWALL.
- 6 WIRE ROUTED THROUGH FLOOR AT THIS POINT.
- 5 FOR MORE INFORMATION SEE LOAD CENTER/ATS ASM.
- 4. FOR MORE INFORMATION SEE WIRING DIAGRAM-BODY,110V.
- 3. ALL GROUND WIRES TO BE COVERED WITH TUBING 8041-02-000.
- 2. ALL 110V WIRE TO BE CLAMPED WITH CLAMP 10497-05-000 WITHIN 200MM OF OUTLET BOXES, USE SCREW G67-10-12B.
- 1. ALL WIRES TO BE SECURED WITH CLAMP 10495-01-000 OR CLIP 80734-01-000 EVERY 600MM. USE SCREW G67-10-12B UNLESS OTHERWISE SPECIFIED.

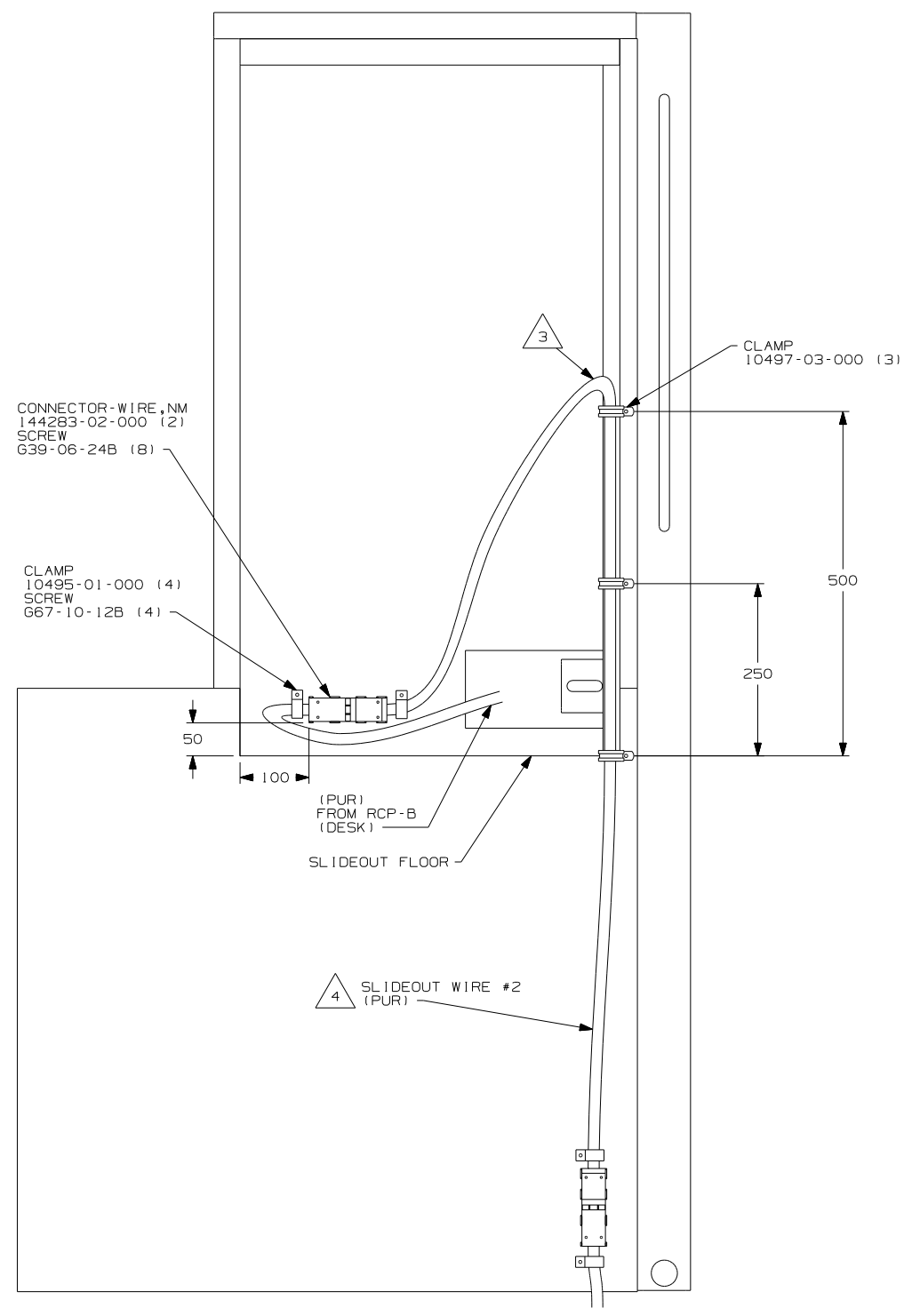
- 29R A/C HEAT PUMP-2 HI EFFICIENCY
- 265 CODES/STANDARDS - CSA/CMVSS
- 1F7 ENERGY MANAGEMENT SYSTEM W/O
- 1B1 CODES/STANDARDS - USA
- 12D ELECTRICAL SYSTEM - 30 AMP
- 10A TV (REAR) - 20" COLOR, STEREO

NOTES:

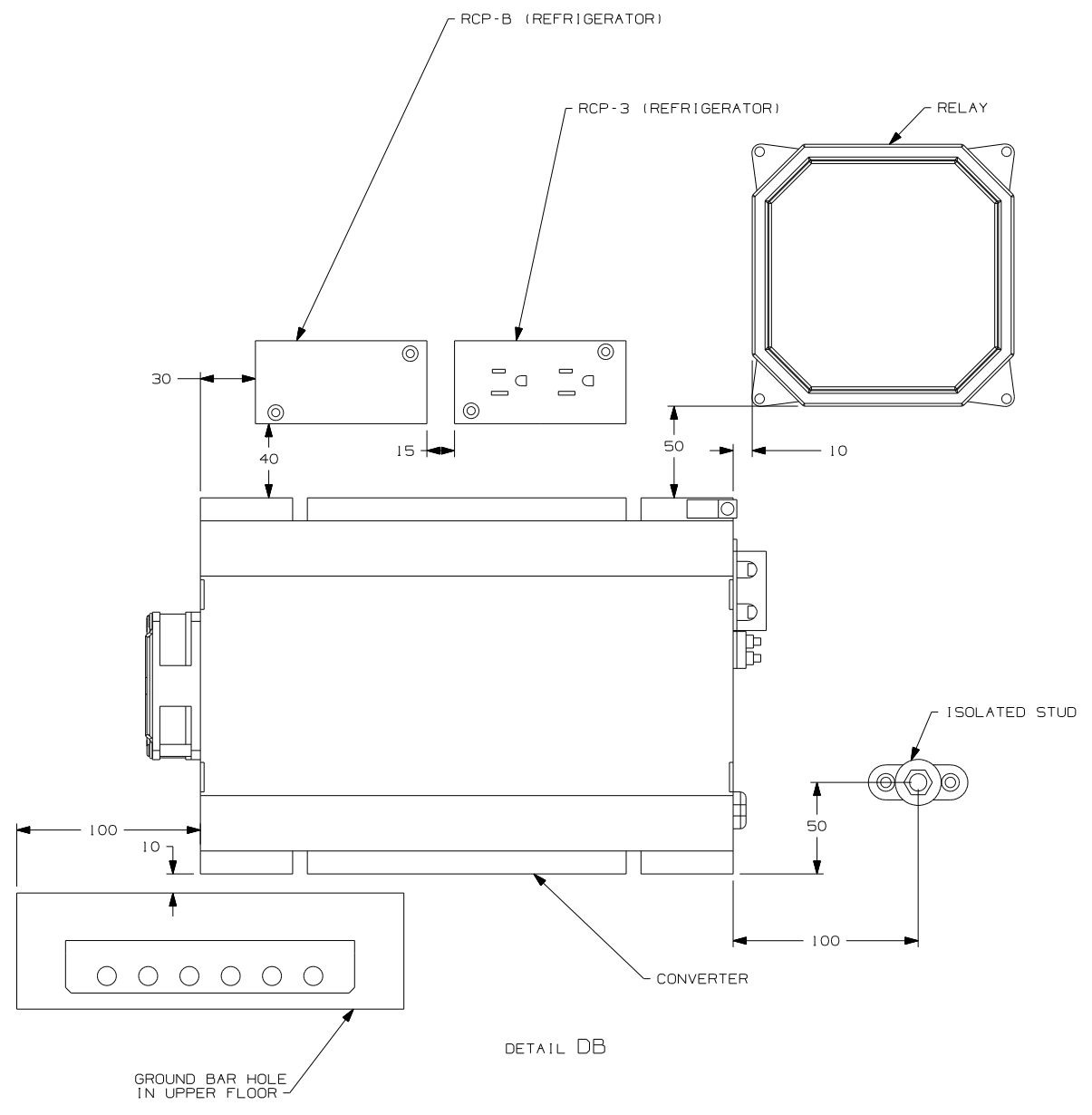
FOR ELECTRICAL TORQUE SPECIFICATIONS SEE DWG NO. 128783-01-000

FOR ELECTRICAL CALLOUTS SEE DWG NO. 121339-01-000

FIRST USED	
05 F31W	
DO NOT SCALE DRAWING	
TITLE: WIRING INSTL-BODY,110V	
SHEET 3	PART NO 148465



DETAIL DA



DETAIL DB

- NOTES:
- 4 FOR MORE INFORMATION SEE LOAD CENTER/ATS ASM.
 - 3 MAKE LOOP AS SMALL AS POSSIBLE WHEN SLIDEOUT IS COMPLETELY RETRACTED.
 - 2. RUN 12V WIRE ALONG WITH SLIDEOUT WIRE.
 - 1. WIRE MUST BE ROUTED THROUGH CLAMPS AS SHOWN.

- 265 CODES/STANDARDS - CSA/CMVSS
- 1B1 CODES/STANDARDS - USA
- 12D ELECTRICAL SYSTEM - 30 AMP

12D 1B1 265

FIRST USED	
05 F31W	
DO NOT SCALE DRAWING	
TITLE:	
WIRING INSTL-BODY, 110V	
SHEET 4	PART NO
	148465

FOR ELECTRICAL TORQUE SPECIFICATIONS SEE DWG NO. 128783-01-000

FOR ELECTRICAL CALLOUTS SEE DWG NO. 121339-01-000