



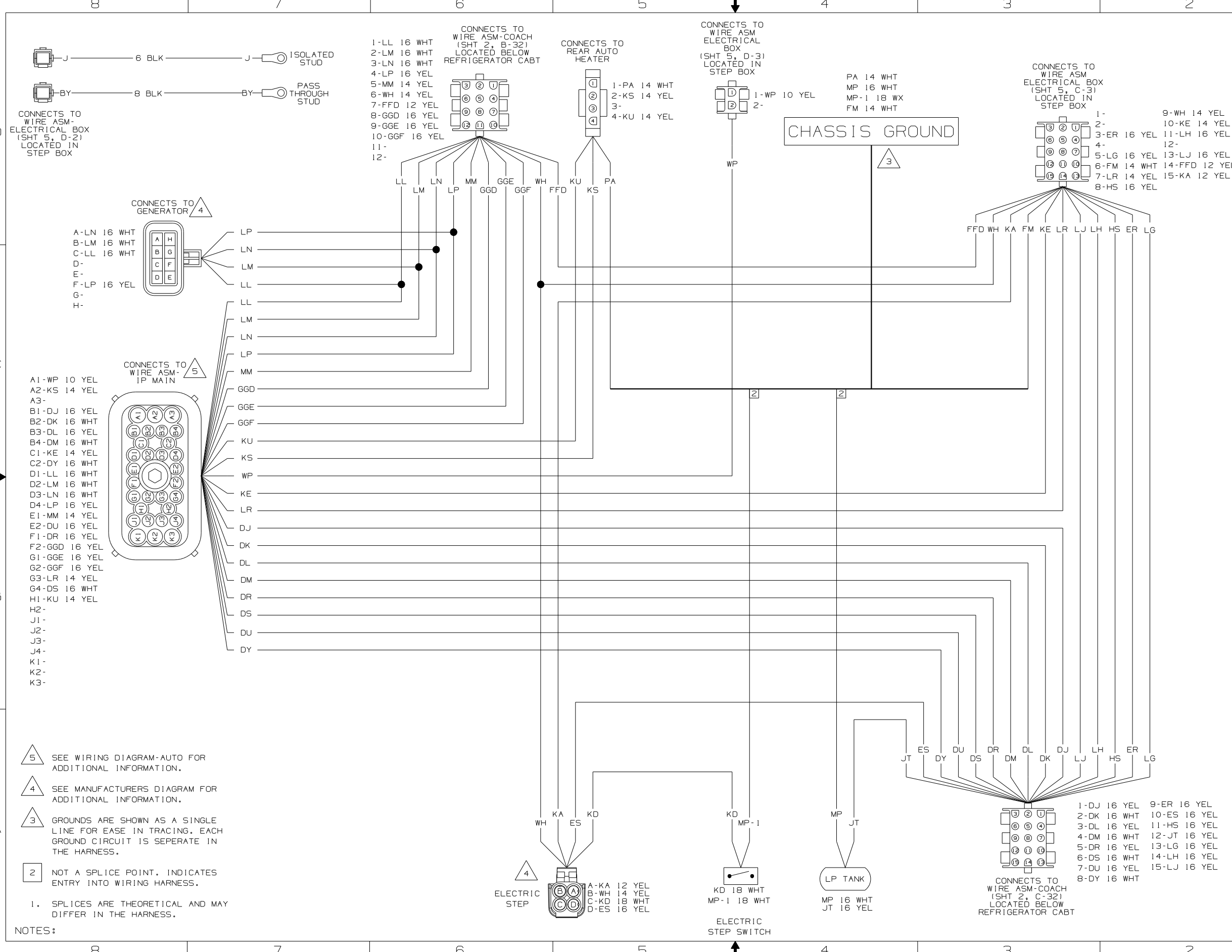
**DANGER**

**Danger of electrical shock, burns or death.** Always remove all power sources before attempting any repair, service or diagnostic work. Power can be present from shore power, generator, inverter or battery. All power sources must be disabled and secured before performing any service.



**CAUTION**

If you lack the skills, tools or equipment to perform diagnostic or repair work leave such work to an authorized Winnebago Industries dealer or other qualified shop.



5 SEE WIRING DIAGRAM-AUTO FOR ADDITIONAL INFORMATION.

4 SEE MANUFACTURERS DIAGRAM FOR ADDITIONAL INFORMATION.

3 GROUNDS ARE SHOWN AS A SINGLE LINE FOR EASE IN TRACING. EACH GROUND CIRCUIT IS SEPERATE IN THE HARNESS.

2 NOT A SPLICE POINT. INDICATES ENTRY INTO WIRING HARNESS.

1. SPLICES ARE THEORETICAL AND MAY DIFFER IN THE HARNESS.

NOTES:

WIRING DIAGRAM-CHASSIS (WIRE ASM 15118 REV B)

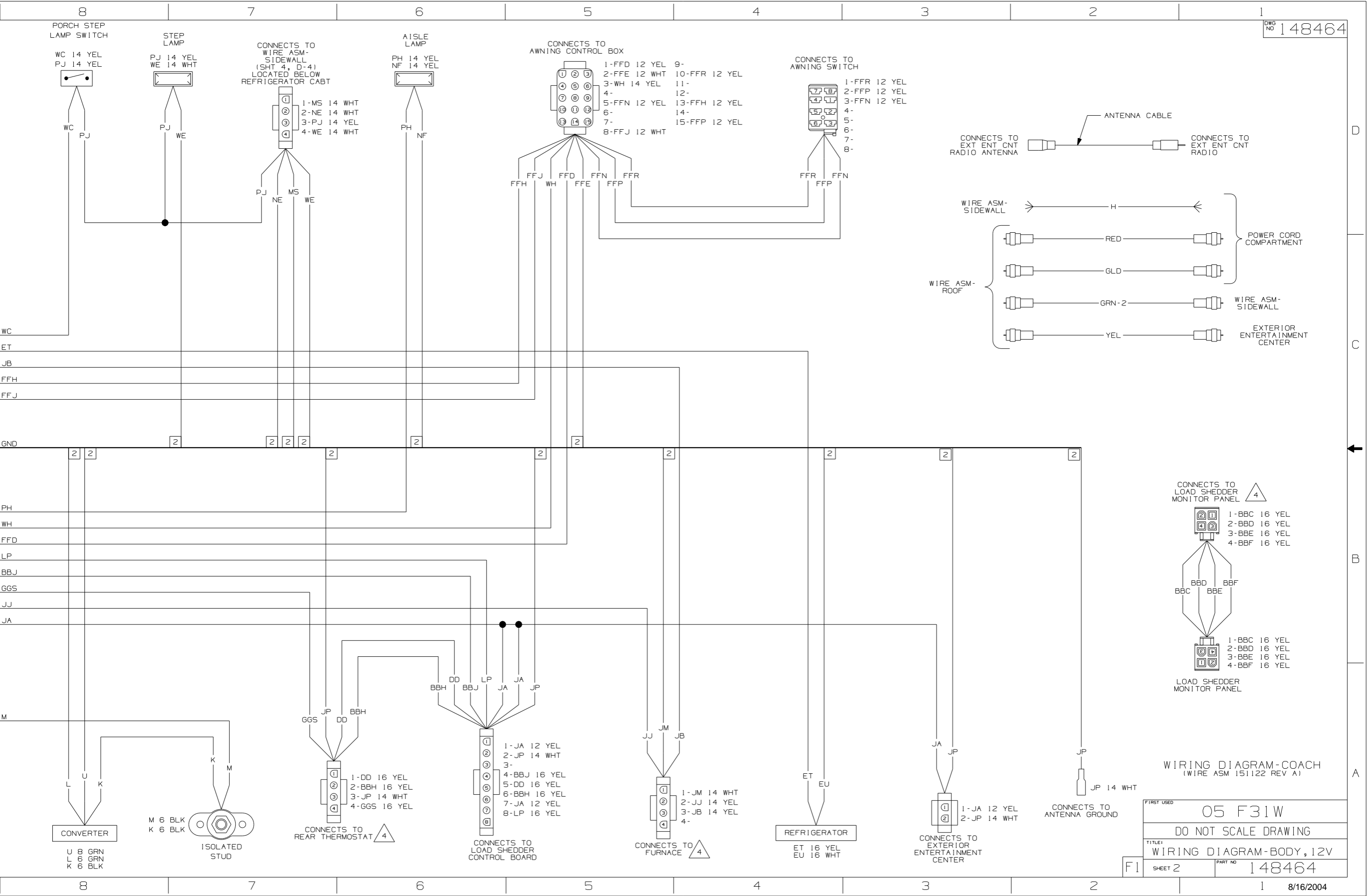
**WINNEBAGO** COPYRIGHT 2004 WINNEBAGO INDUSTRIES, INC.

DFTR	ORIG. DATE
CHKR	ALL DIMENSIONS ARE IN MILLIMETERS
P.E.	
M.E.	FIRST USED
DSNR	05 F31W
UNSPECIFIED TOLERANCES ARE:	MATERIAL:
WHOLE DIM (X)	:
ONE-PLACE (X.X)	:
TWO-PLACE (X.XX)	:
ANGLE	:
THIRD ANGLE PROJECTION	

DO NOT SCALE DRAWING

TITLE: WIRING DIAGRAM-BODY, 12V

SHEET 1 of 5 PART NO 148464



PORCH STEP LAMP SWITCH

STEP LAMP

CONNECTS TO WIRE ASM-SIDEWALL (SHT 4, D-4) LOCATED BELOW REFRIGERATOR CABT

AISLE LAMP

CONNECTS TO AWNING CONTROL BOX

CONNECTS TO AWNING SWITCH

CONNECTS TO EXT ENT CNT RADIO ANTENNA

ANTENNA CABLE

CONNECTS TO EXT ENT CNT RADIO

WIRE ASM-SIDEWALL

WIRE ASM-ROOF

H

RED

GLD

GRN-2

YEL

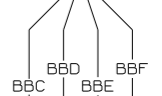
POWER CORD COMPARTMENT

WIRE ASM-SIDEWALL

EXTERIOR ENTERTAINMENT CENTER

CONNECTS TO LOAD SHEDDER MONITOR PANEL

- 1-BBC 16 YEL
- 2-BBD 16 YEL
- 3-BBE 16 YEL
- 4-BBF 16 YEL



- 1-BBC 16 YEL
- 2-BBD 16 YEL
- 3-BBE 16 YEL
- 4-BBF 16 YEL

LOAD SHEDDER MONITOR PANEL

WIRING DIAGRAM-COACH (WIRE ASM 151122 REV A1)

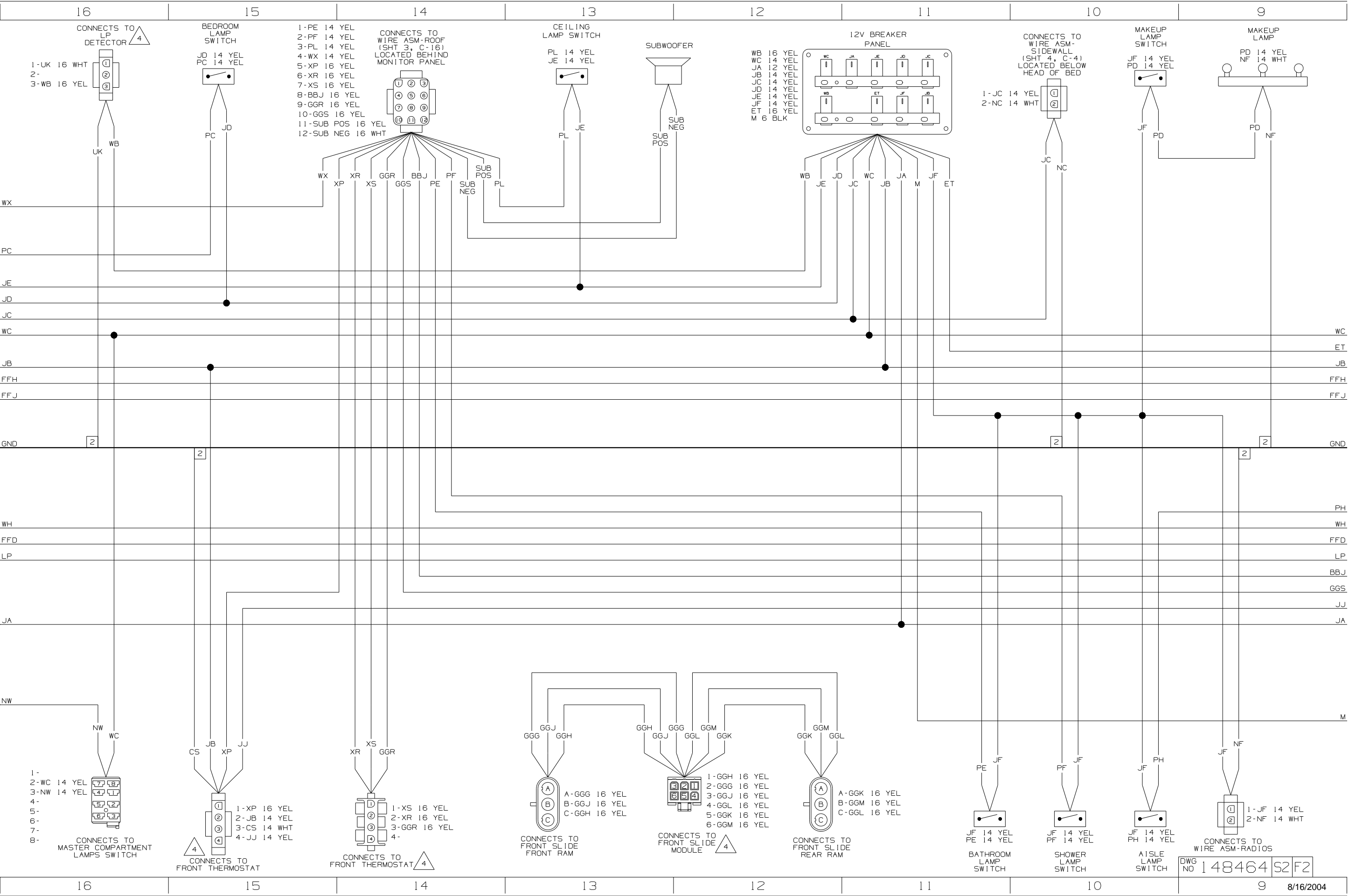
FIRST USED 05 F31W

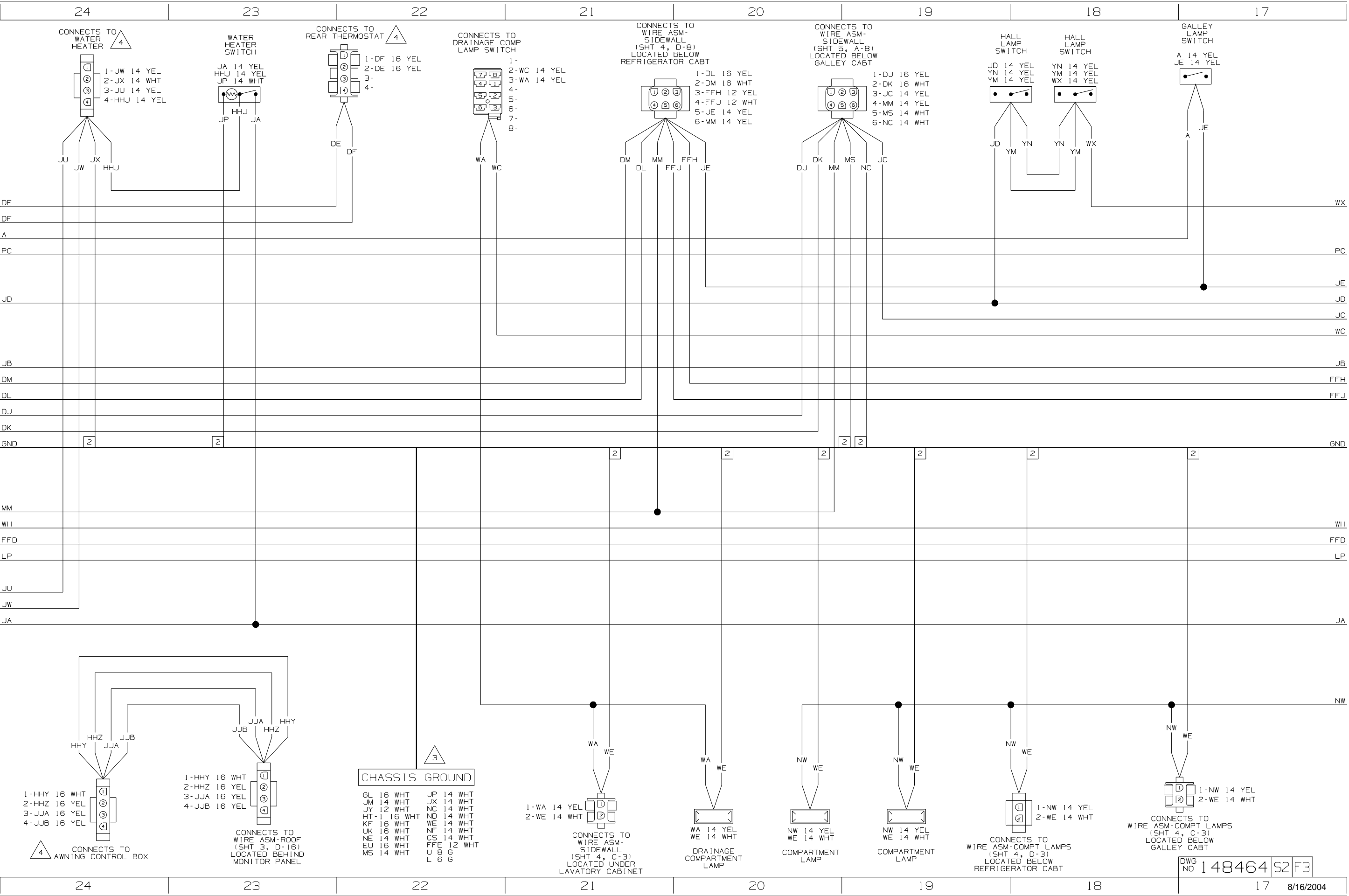
DO NOT SCALE DRAWING

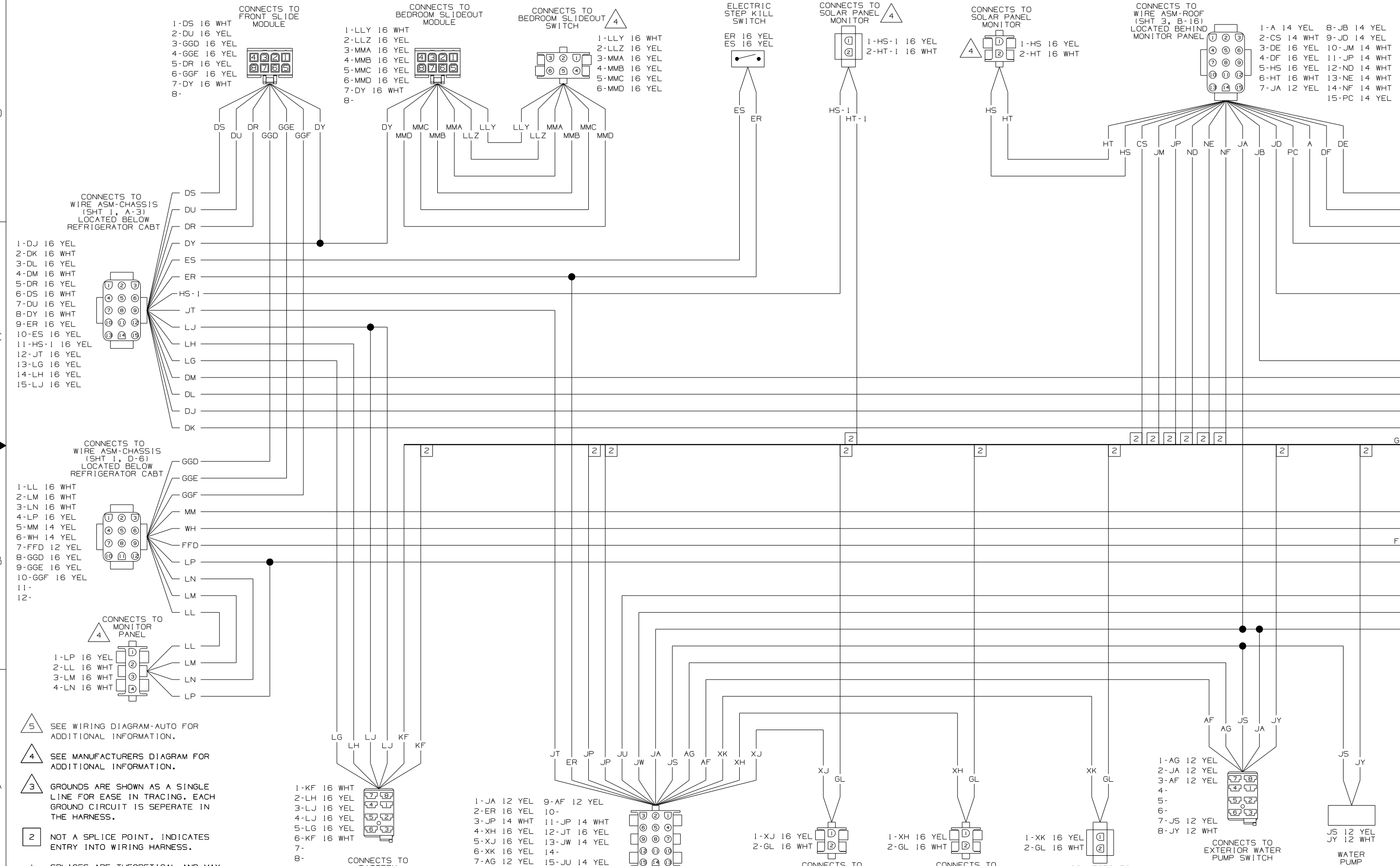
TITLE: WIRING DIAGRAM-BODY, 12V

SHEET 2

PART NO 148464







5 SEE WIRING DIAGRAM-AUTO FOR ADDITIONAL INFORMATION.

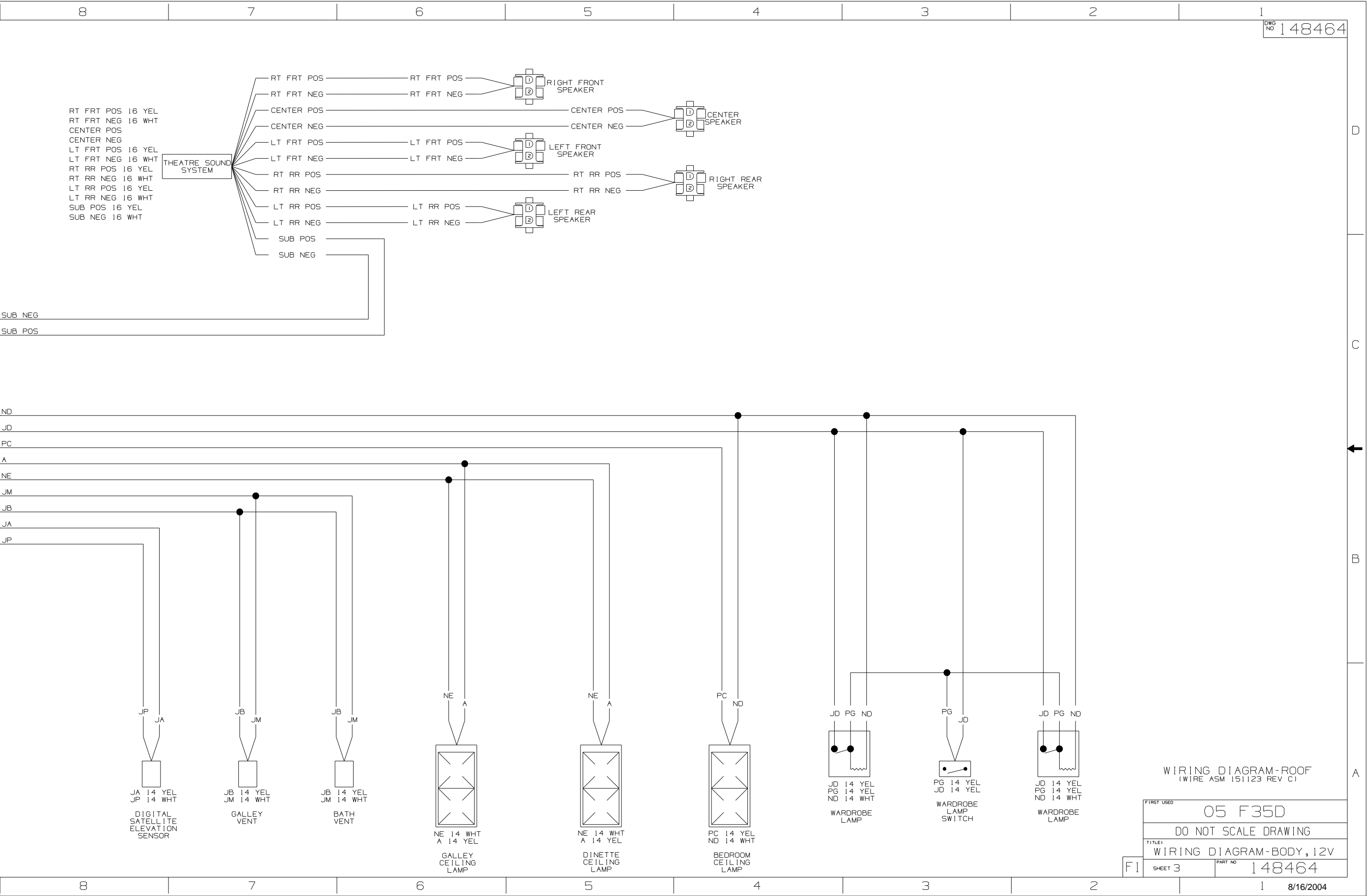
4 SEE MANUFACTURERS DIAGRAM FOR ADDITIONAL INFORMATION.

3 GROUNDS ARE SHOWN AS A SINGLE LINE FOR EASE IN TRACING. EACH GROUND CIRCUIT IS SEPERATE IN THE HARNESS.

2 NOT A SPLICE POINT. INDICATES ENTRY INTO WIRING HARNESS.

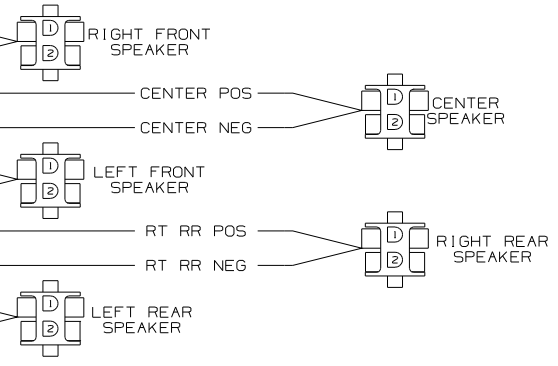
1. SPLICES ARE THEORETICAL AND MAY DIFFER IN THE HARNESS.

NOTES:

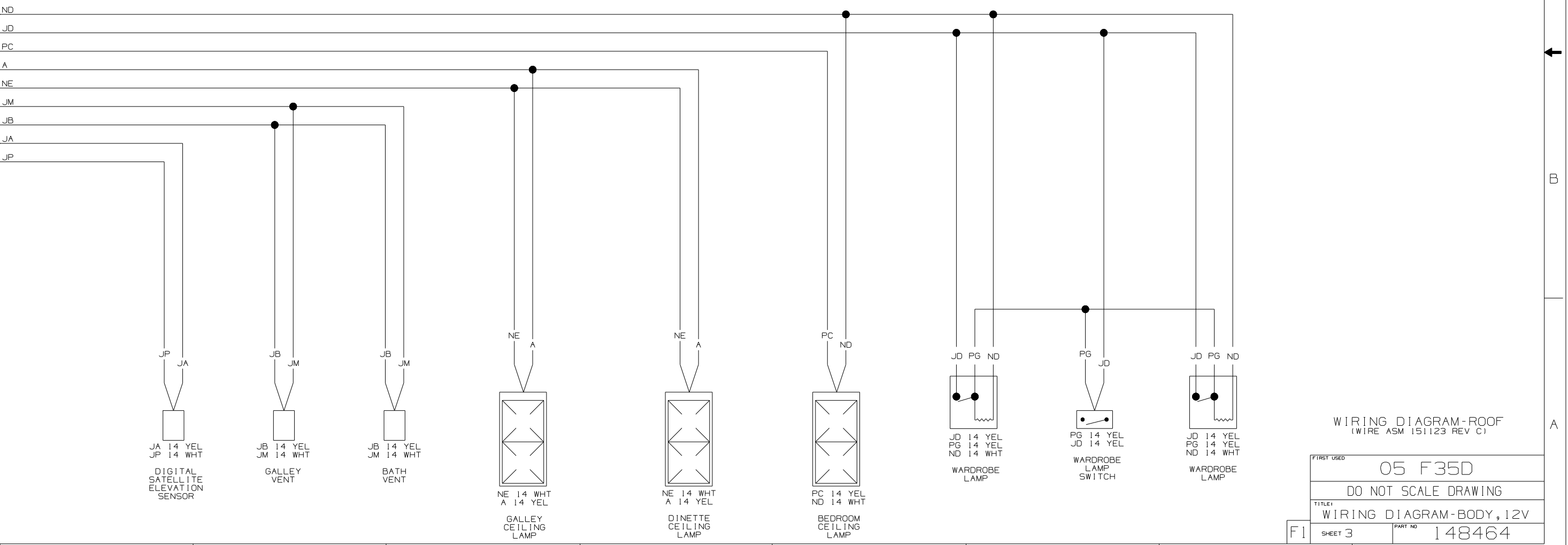


RT FRT POS 16 YEL  
 RT FRT NEG 16 WHT  
 CENTER POS  
 CENTER NEG  
 LT FRT POS 16 YEL  
 LT FRT NEG 16 WHT  
 RT RR POS 16 YEL  
 RT RR NEG 16 WHT  
 LT RR POS 16 YEL  
 LT RR NEG 16 WHT  
 SUB POS 16 YEL  
 SUB NEG 16 WHT

THEATRE SOUND SYSTEM

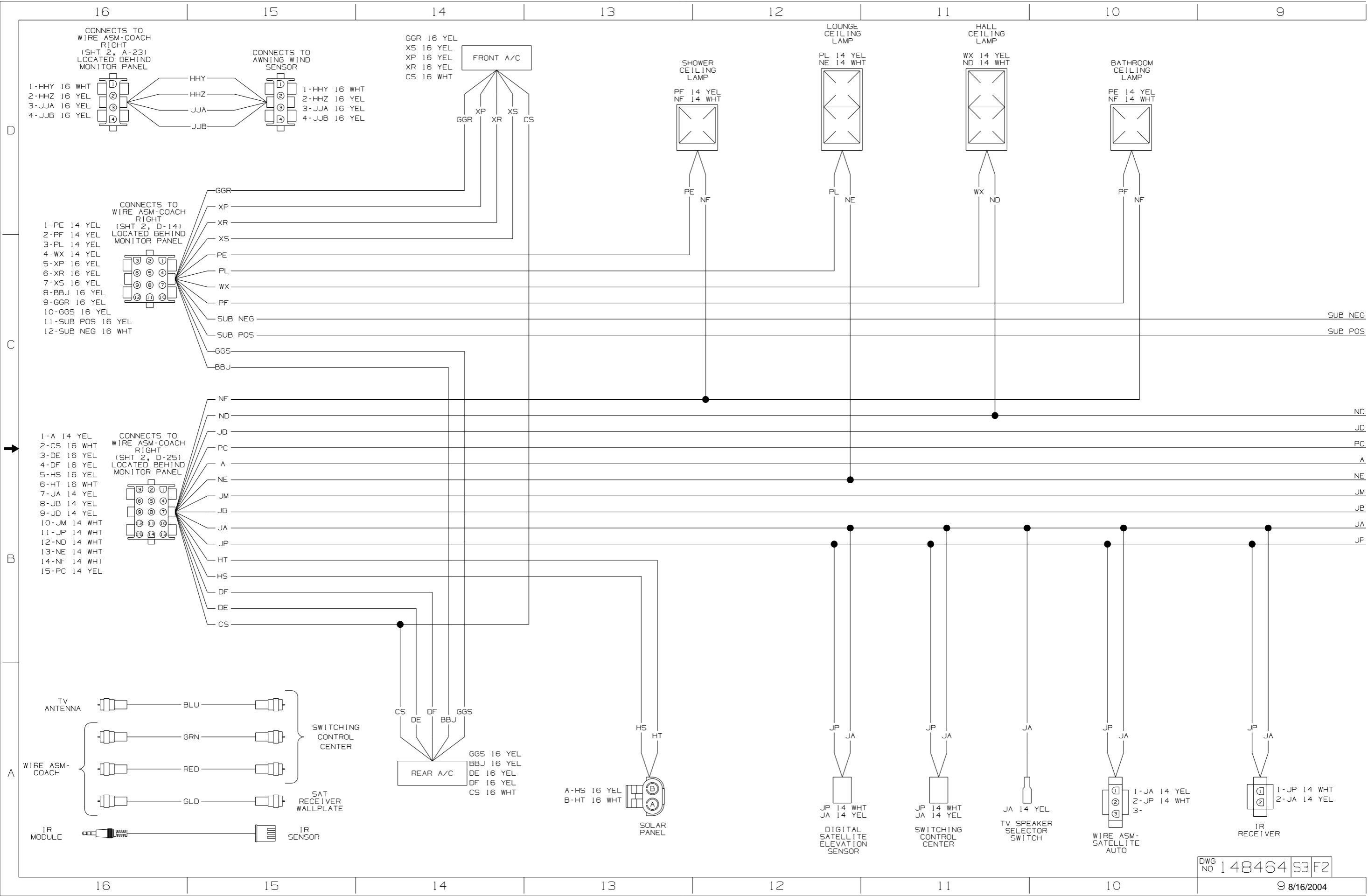


SUB NEG  
 SUB POS



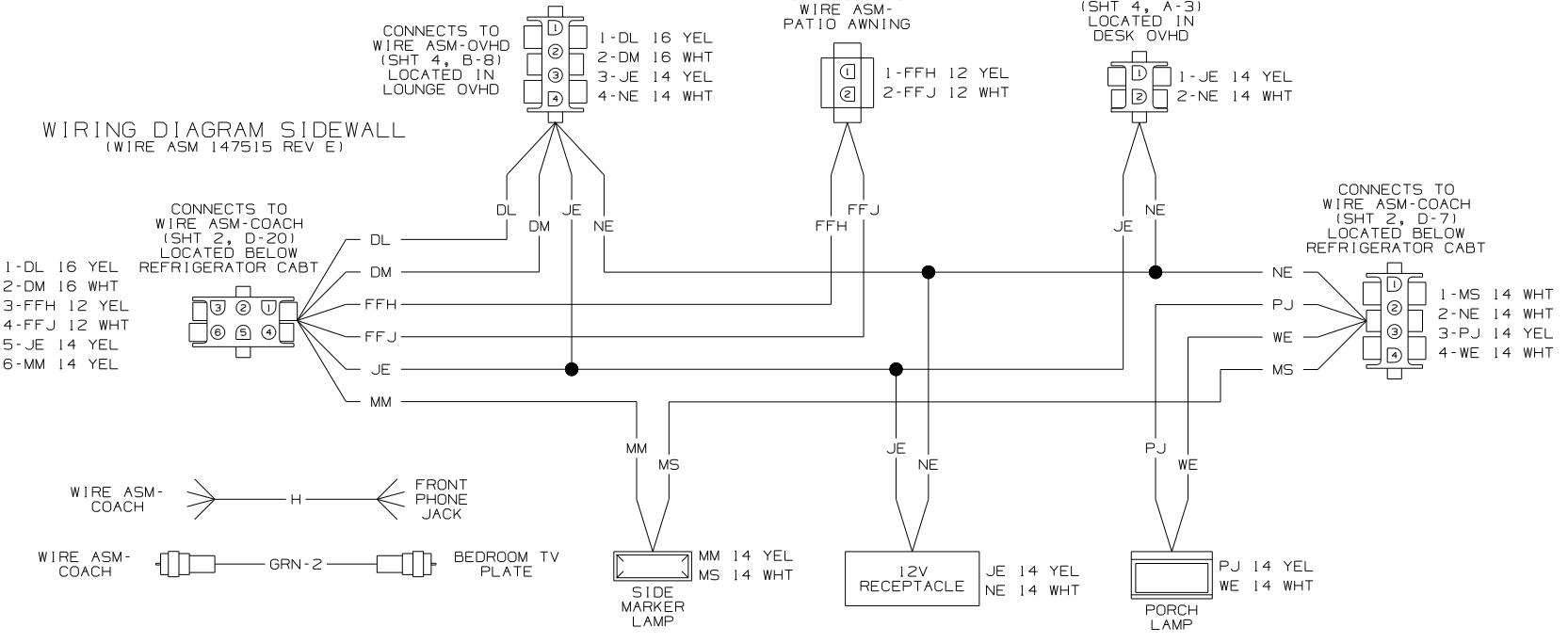
WIRING DIAGRAM-ROOF  
 (WIRE ASM 151123 REV C)

FIRST USED	05 F35D	
TITLE	DO NOT SCALE DRAWING	
	WIRING DIAGRAM-BODY, 12V	
F1 SHEET 3	PART NO	148464

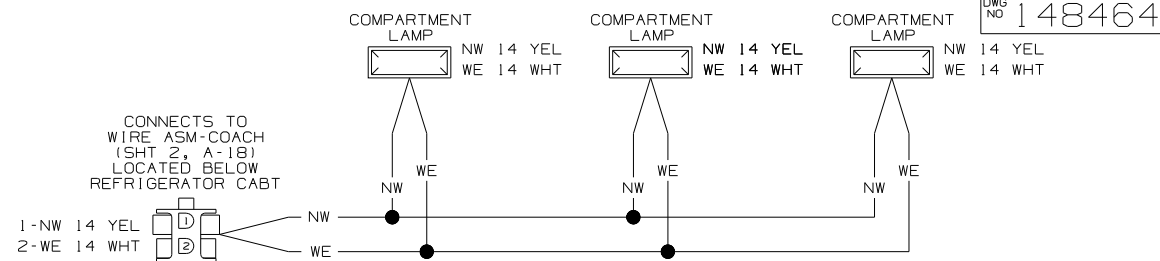




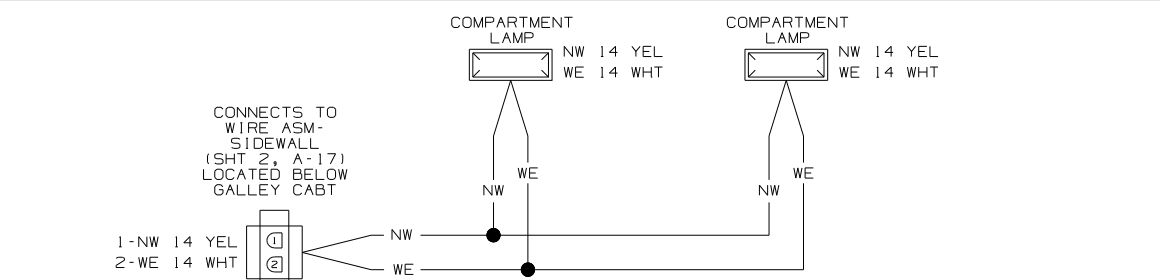
WIRING DIAGRAM SIDEWALL  
(WIRE ASM 147515 REV E)



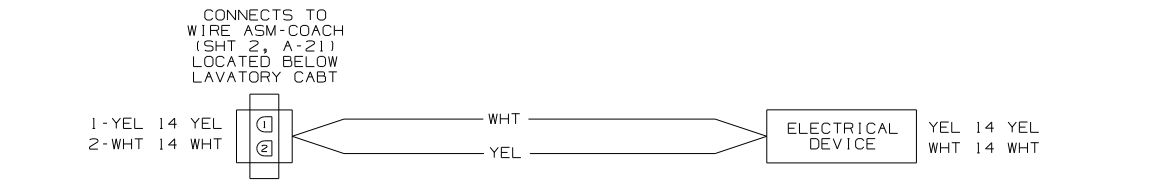
WIRING DIAGRAM-COMPT LAMPS  
(WIRE ASM 147523 REV B)



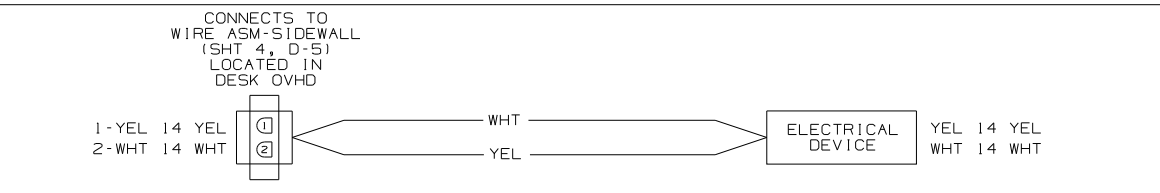
WIRING DIAGRAM-COMPT LAMPS  
(WIRE ASM 133574 REV N)



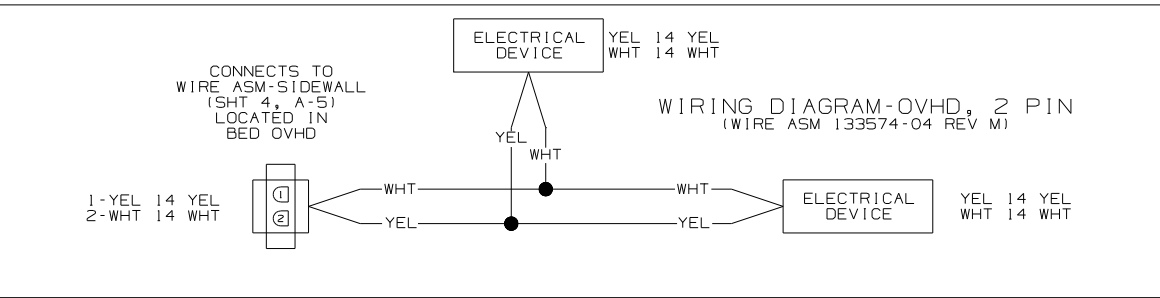
WIRING DIAGRAM-EXTENSION, 2 PIN  
(WIRE ASM 133572-01 REV E)



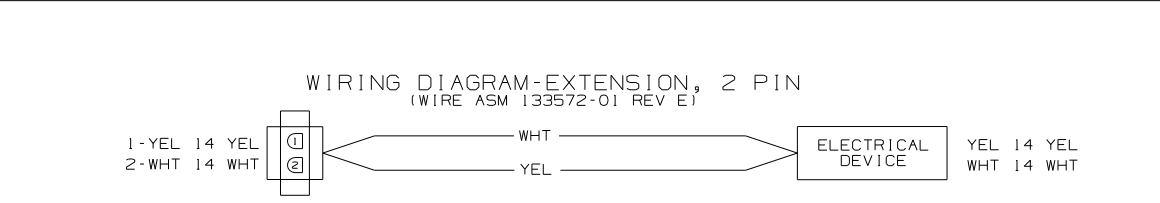
WIRING DIAGRAM-EXTENSION, 2 PIN  
(WIRE ASM 133572-01 REV E)



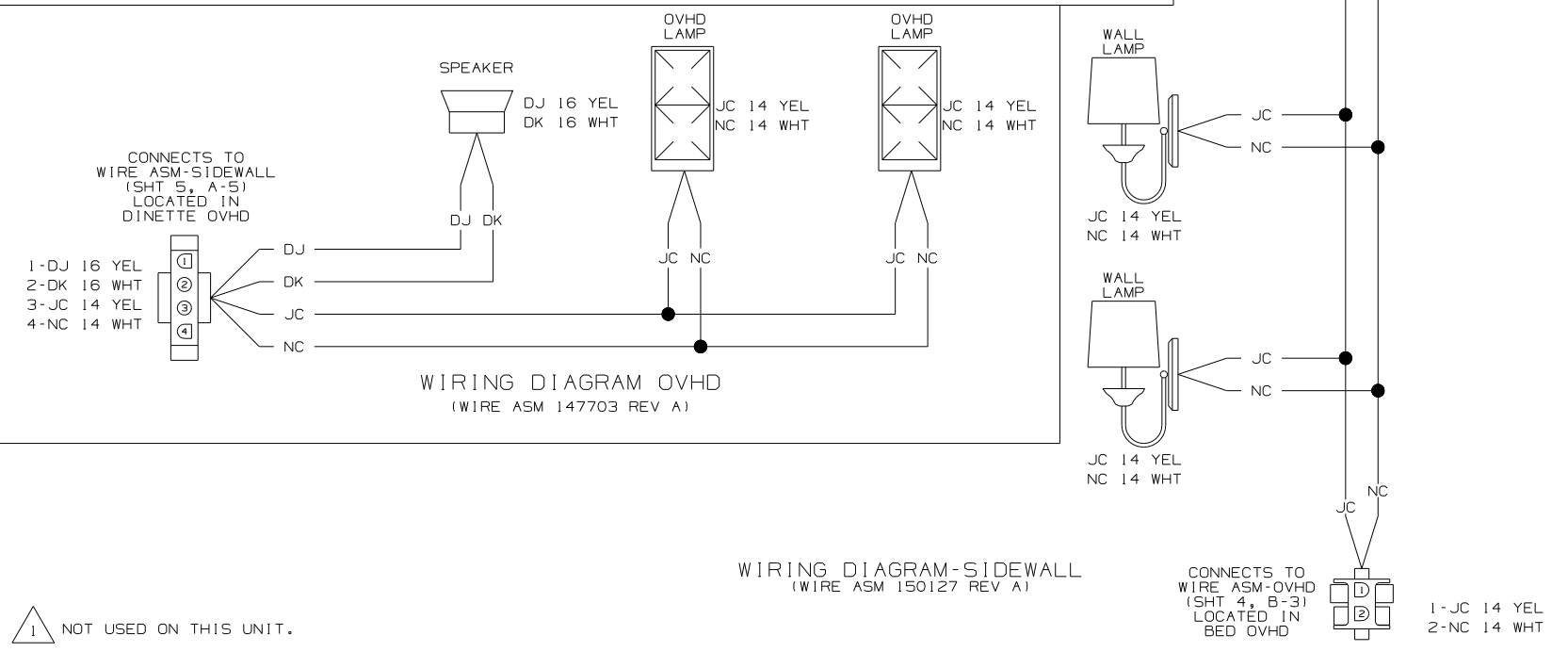
WIRING DIAGRAM-OVHD, 2 PIN  
(WIRE ASM 133574-04 REV M)



WIRING DIAGRAM-EXTENSION, 2 PIN  
(WIRE ASM 133572-01 REV E)

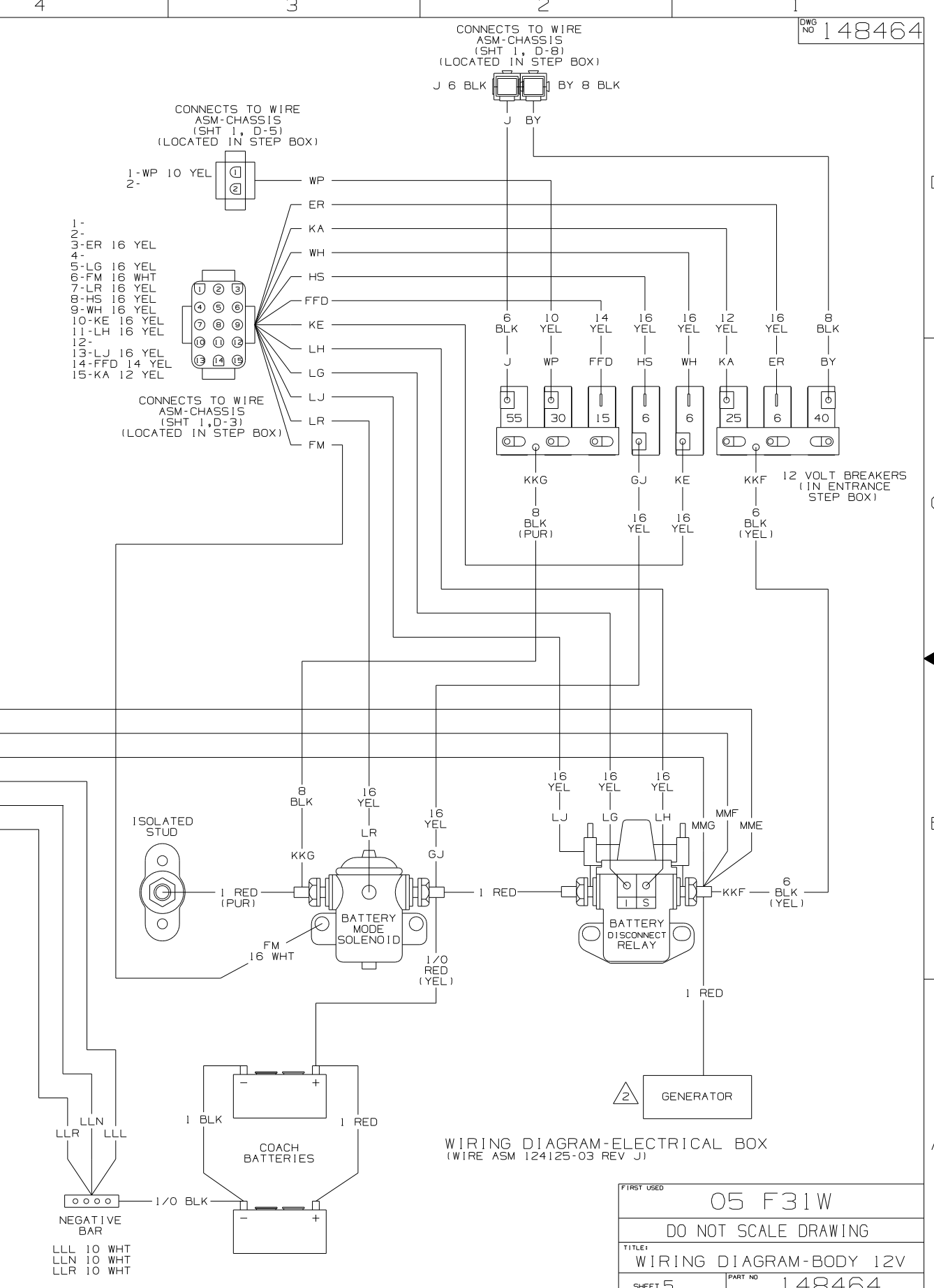
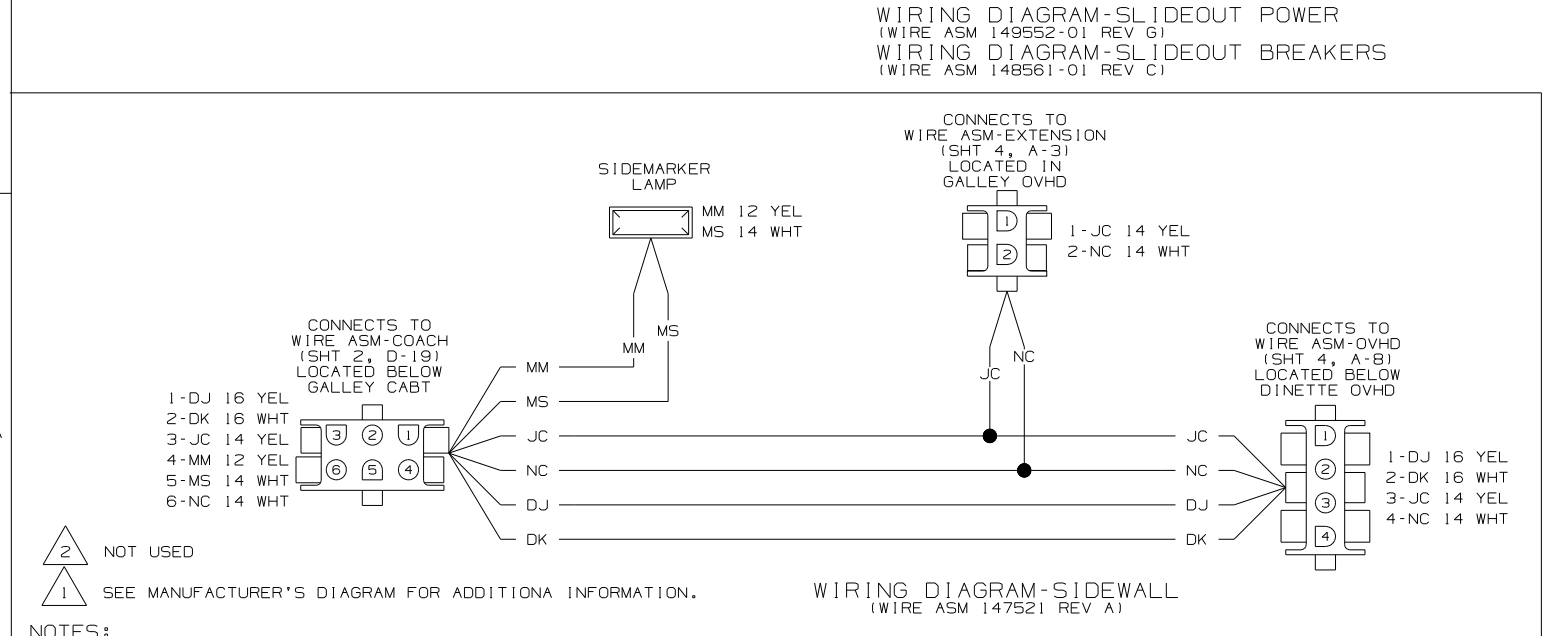
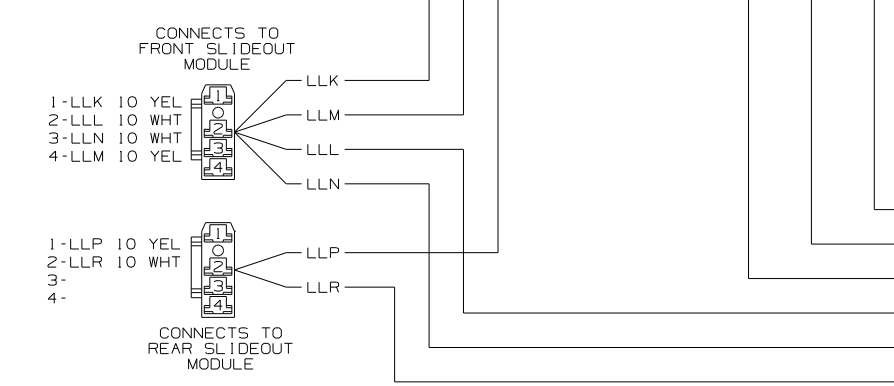
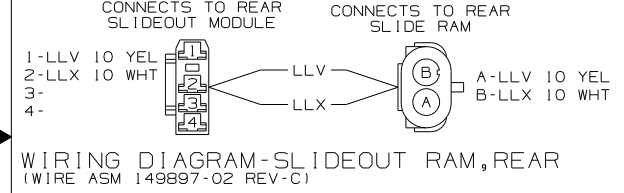
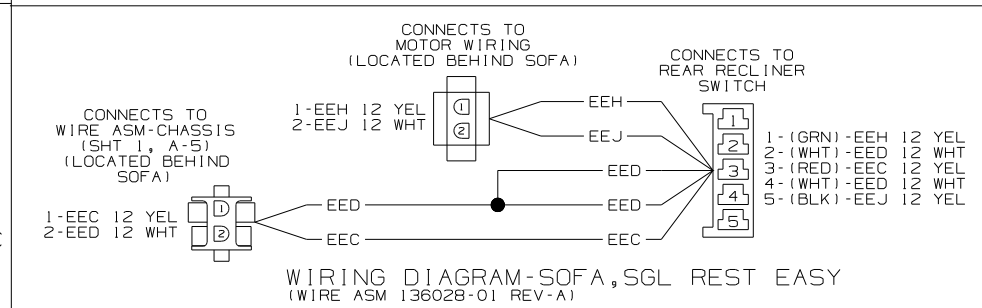
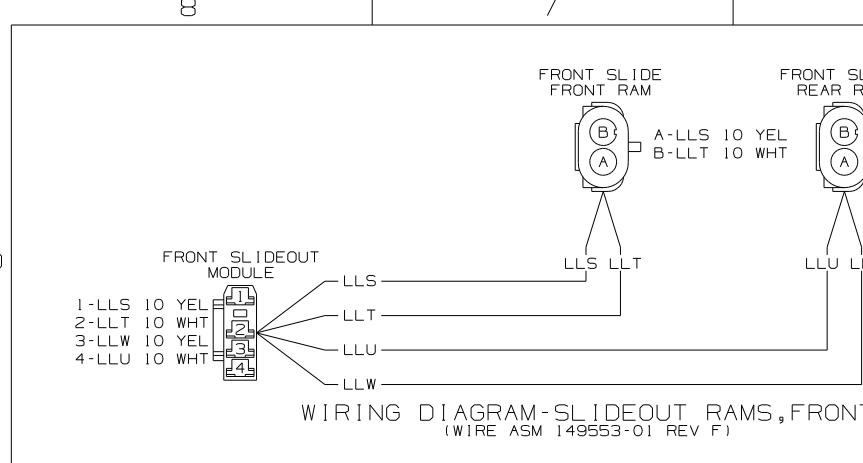
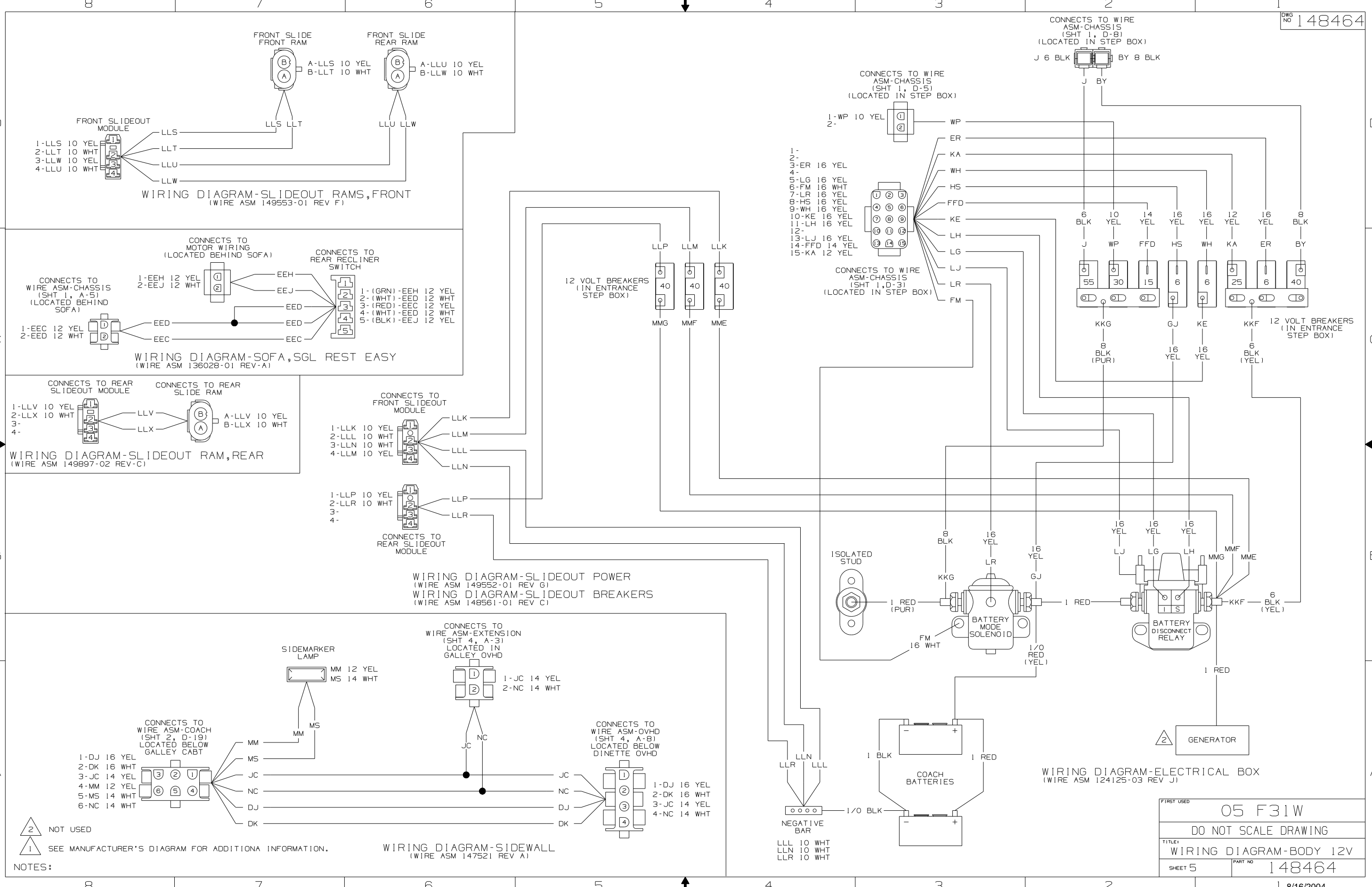


WIRING DIAGRAM-SIDEWALL  
(WIRE ASM 150127 REV A)



1 NOT USED ON THIS UNIT.

FIRST USED	05 F31W
TITLE	DO NOT SCALE DRAWING
WIRING DIAGRAM-BODY, 12V	
SHEET 4	PART NO 148464



NOTES:

② NOT USED

① SEE MANUFACTURER'S DIAGRAM FOR ADDITIONAL INFORMATION.

FIRST USED	05 F31W
TITLE	DO NOT SCALE DRAWING
TITLE	WIRING DIAGRAM-BODY 12V
SHEET 5	PART NO 148464