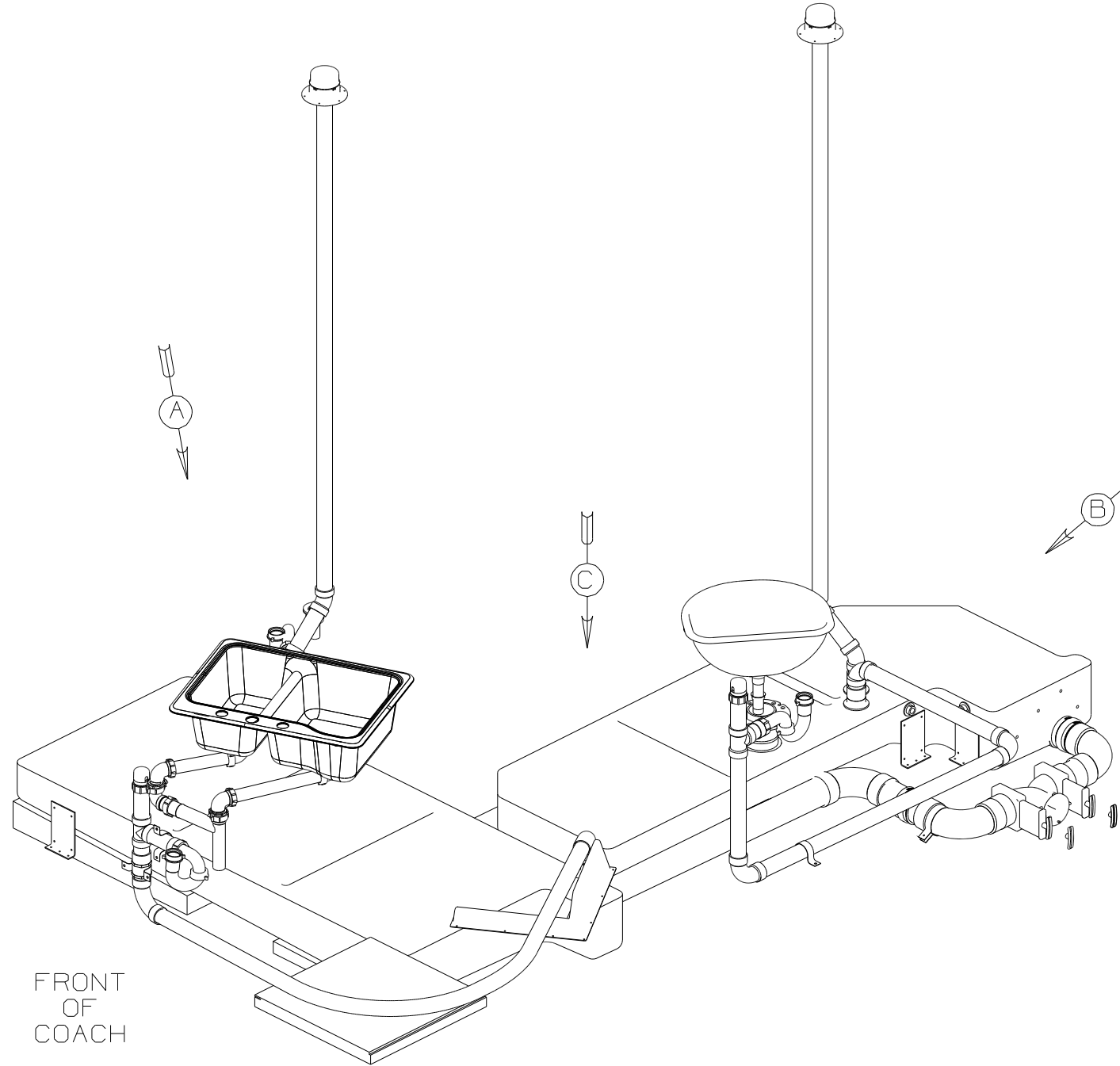


DWG NO	--
150906-01	(WIN)
150906-02	(ITA)

RELEASE	REV DATE	DWG NO
A		150906
REV ZONE	REVISION RECORD	DATE



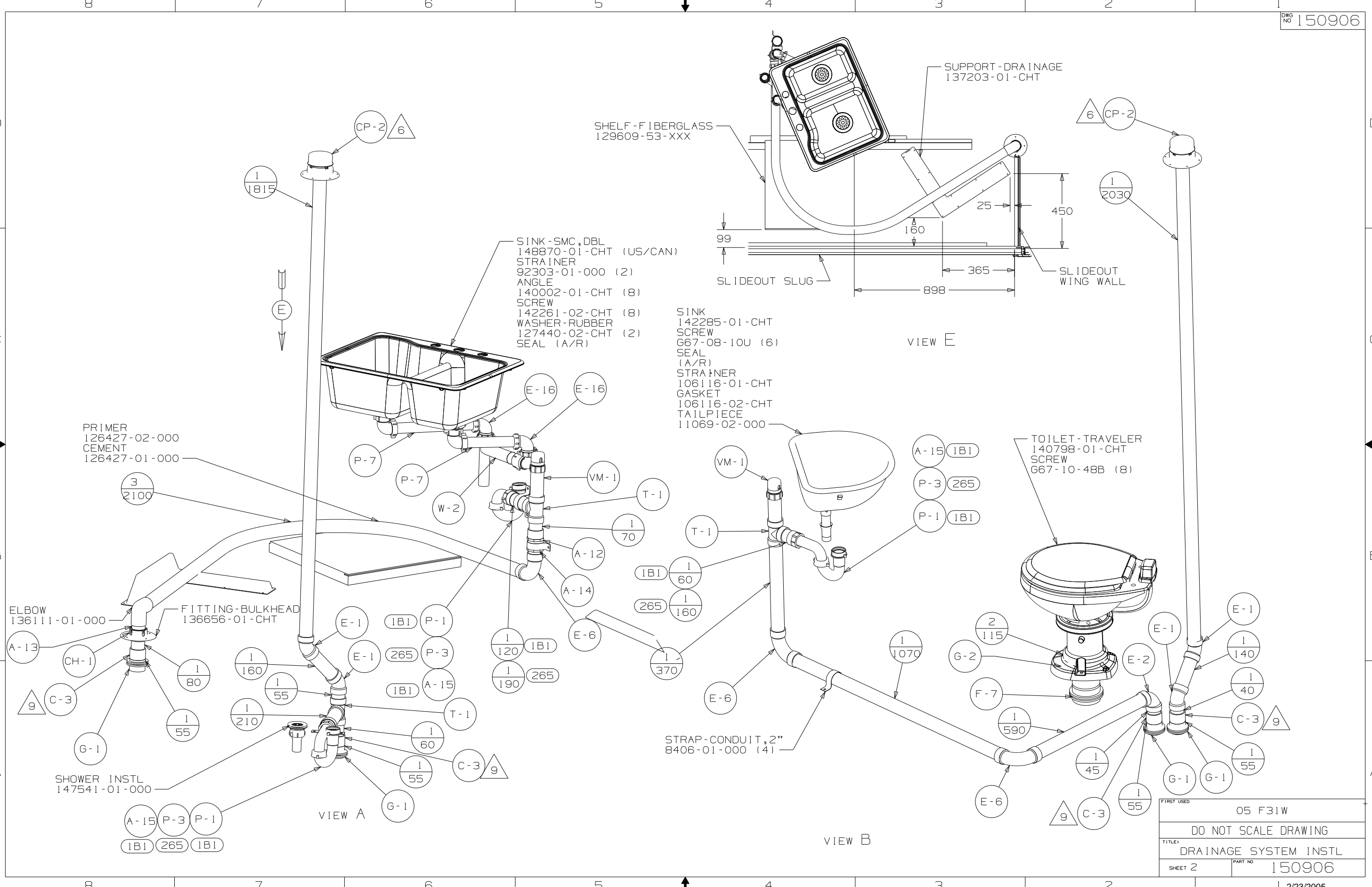
FRONT  
OF  
COACH

- (WIN) WINNEBAGO ONLY
- (ITA) ITASCA ONLY
- (IBI) CODES/STANDARDS USA
- (265) CODES/STDS-CSA/CMVSS

- NOTES:
9. SECURE PIPES TO FLOOR USING BRACKET 136878-01-CHT (3) CLAMP 62401-02-000 (3) AND SCREW G67-10-12B (3).
  8. SECURE PIPES TO CABINET USING WIRE TIE 108046-02-000 AND SCREW G67-10-12U (8).
  7. SEE DWG 61607-01-000 FOR INSTL OF GROMMET.
  6. VENT PIPE MUST PROJECT 51 MIN AND 64 MAX ABOVE ROOF FOR PROPER FIT AND FUNCTION.
  5. SEAL AROUND SHOWER WITH SILICONE.
  4. ALL EXTERIOR OPENINGS AROUND PIPE TO BE SEALED WITH 110744-01-000.
  3. ALL PIPE AND FITTINGS TO BE ASSEMBLED WITH SOLVENT 4020-01-000.
  2. SLOPE OF TRAP ARM MUST BE 6 PER 305 mm.
  1. SLOPE OF HORIZONTAL PIPING TO BE MIN 3 PER 305 mm.

(X-X)  
FOR  
DRAINAGE  
CALLOUTS  
SEE DWG NO  
116229-01-000

<b>WINNEBAGO</b>		COPYRIGHT 2005 WINNEBAGO INDUSTRIES, INC.	
DFT	ORIG. DATE	ALL DIMENSIONS ARE IN MILLIMETERS	
CHKR		FIRST USED	
P.E.		05 F31W	
M.E.		UNSPECIFIED TOLERANCES ARE:	
DSNR		MATERIAL:	
		WHOLE DIM (X) :	5
		ONE-PLACE (X.X) :	
		TWO-PLACE (X.XX) :	
		ANGLE :	
THIRD ANGLE PROJECTION		DO NOT SCALE DRAWING	
TITLE: DRAINAGE SYSTEM INSTL			
SHEET 1 OF 3		PART NO 150906	



SHELF - FIBERGLASS  
129609-53-XXX

SUPPORT - DRAINAGE  
137203-01-CHT

SINK - SMC, DBL  
148870-01-CHT (US/CAN)  
STRAINER  
92303-01-000 (2)  
ANGLE  
140002-01-CHT (8)  
SCREW  
142261-02-CHT (8)  
WASHER - RUBBER  
127440-02-CHT (2)  
SEAL (A/R)

SINK  
142285-01-CHT  
SCREW  
G67-08-10U (6)  
SEAL  
(A/R)  
STRAINER  
106116-01-CHT  
GASKET  
106116-02-CHT  
TAILPIECE  
11069-02-000

TOILET - TRAVELER  
140798-01-CHT  
SCREW  
G67-10-48B (8)

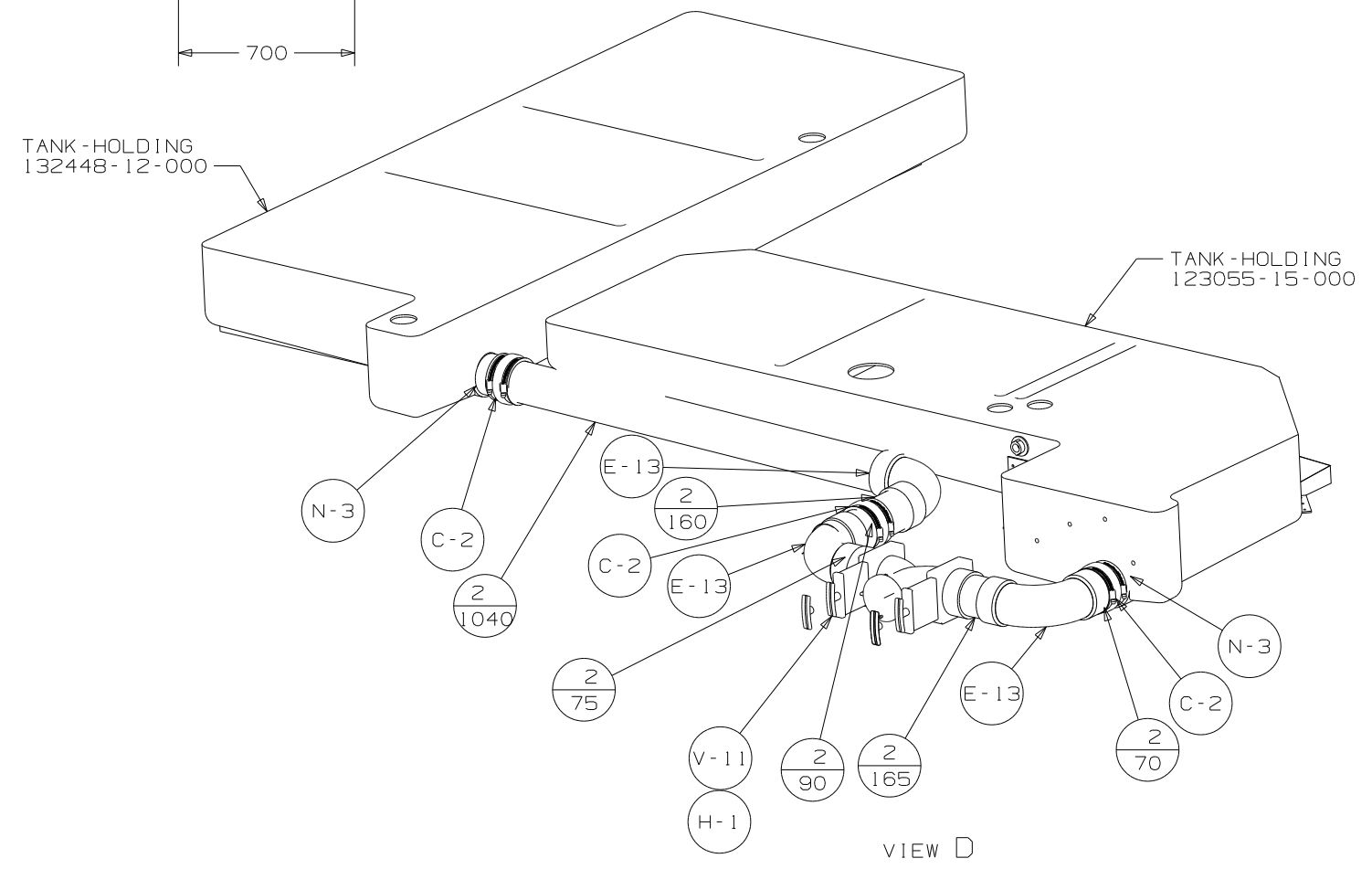
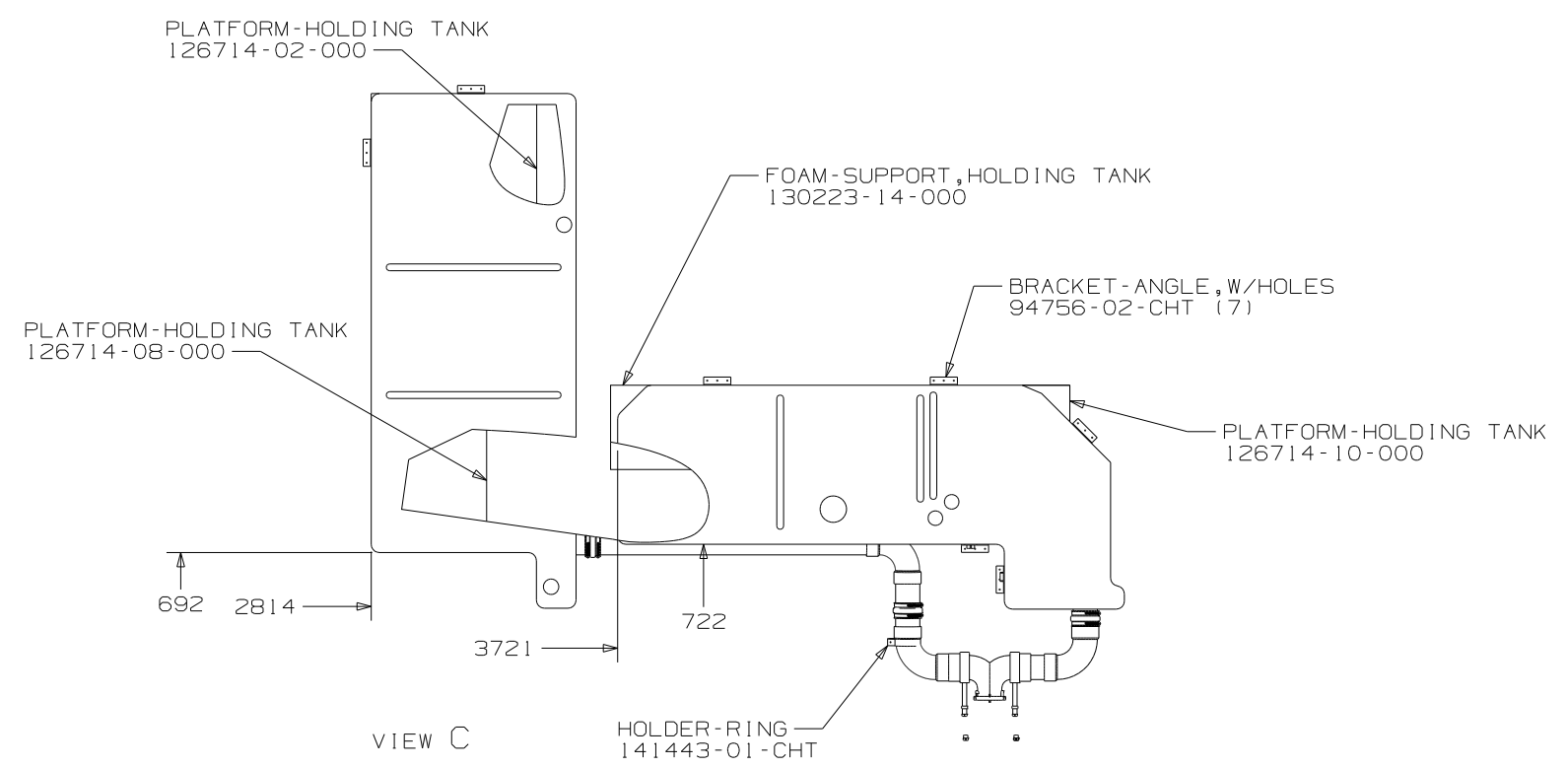
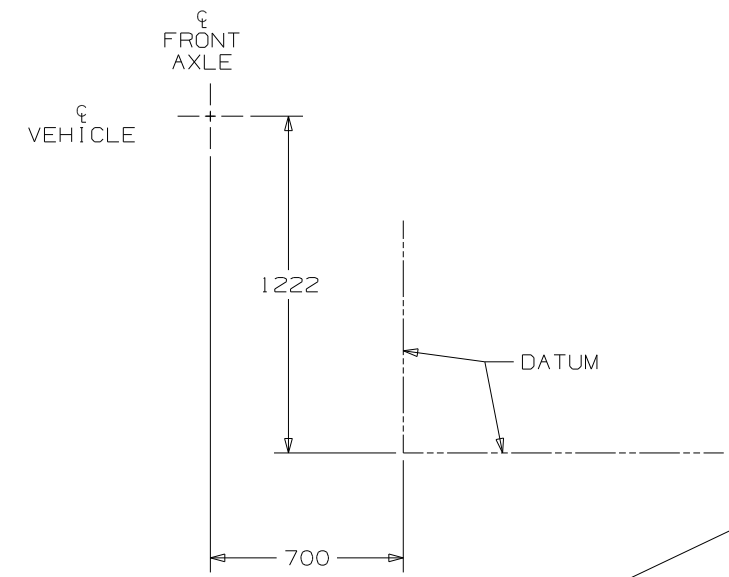
PRIMER  
126427-02-000  
CEMENT  
126427-01-000

ELBOW  
136111-01-000

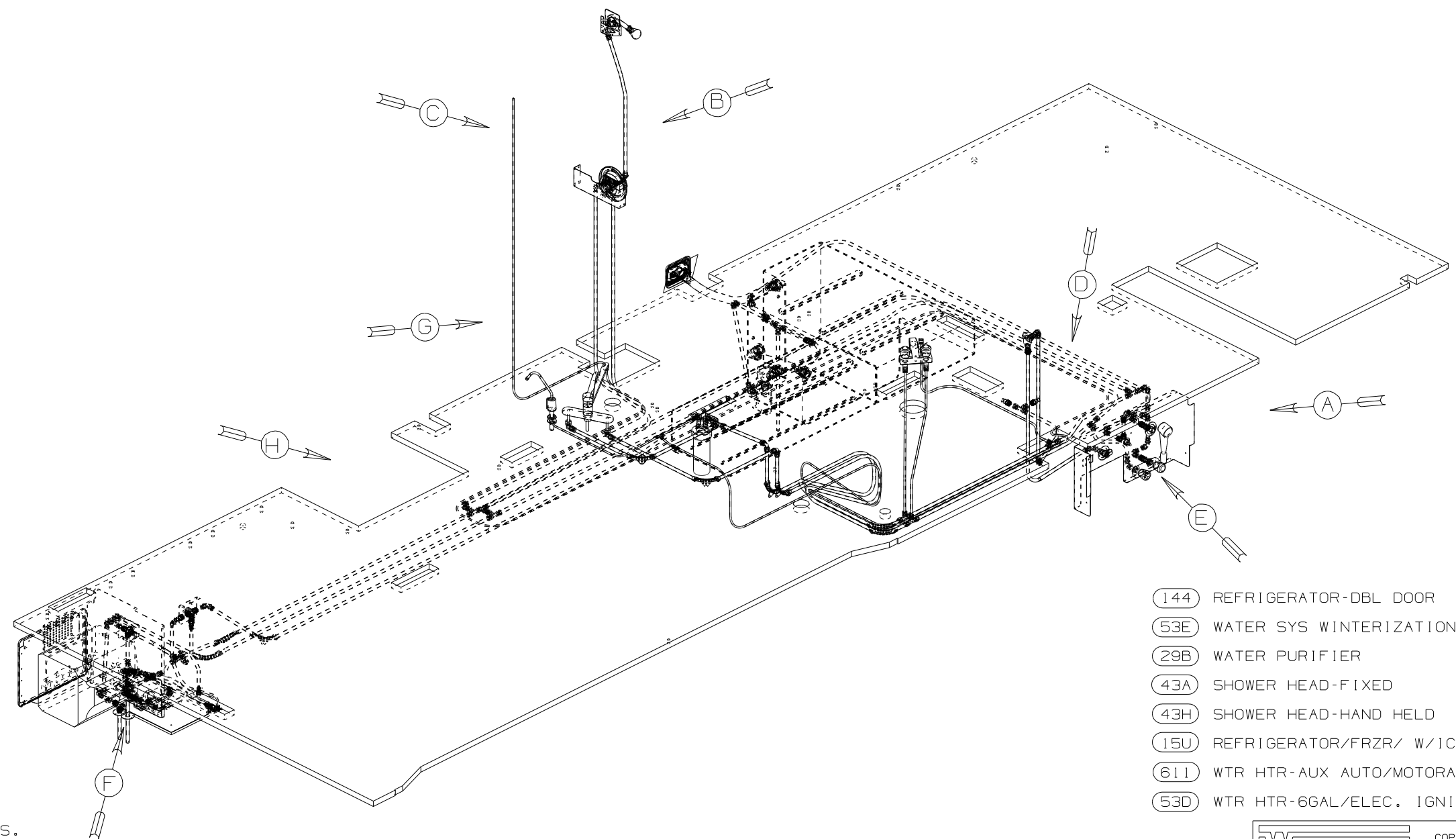
FITTING - BULKHEAD  
136656-01-CHT

STRAP - CONDUIT, 2"  
8406-01-000 (4)

FIRST USED	05 F31W
TITLE	DO NOT SCALE DRAWING
	DRAINAGE SYSTEM INSTL
SHEET 2	PART NO 150906



FIRST USED	05 F31W
TITLE	DO NOT SCALE DRAWING
SHEET 3	DRAINAGE SYSTEM INSTL
PART NO	150906



- (144) REFRIGERATOR-DBL DOOR
- (53E) WATER SYS WINTERIZATION PKG
- (29B) WATER PURIFIER
- (43A) SHOWER HEAD-FIXED
- (43H) SHOWER HEAD-HAND HELD
- (15U) REFRIGERATOR/FRZR/ W/ICE MAKER
- (611) WTR HTR-AUX AUTO/MOTORAID
- (53D) WTR HTR-6GAL/ELEC. IGNITION

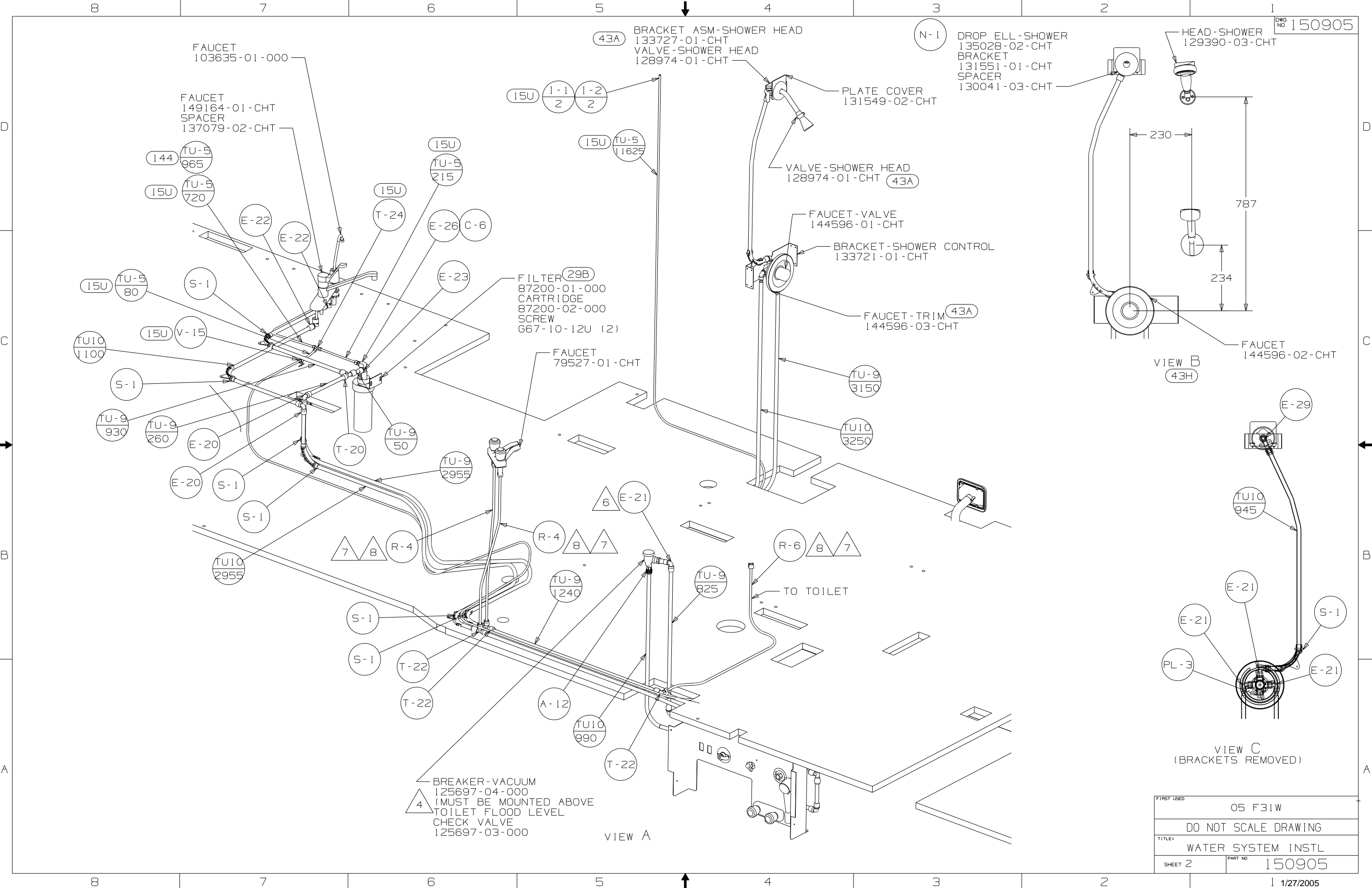
- △ 8 LABEL HOT AND COLD SUPPLY TUBES.
  - △ 7 TAPE FITTING TO TUBE BEFORE CABINET SET TO PREVENT FITTING FROM MOVING.
  - △ 6 ADD TEFLON TAPE 10405-01-000.
  - △ 5 ADD TEFLON TAPE 10405-02-000.
  - △ 4 FLUSHING SYSTEM REQUIRES 125697-06-000 INSTRUCTION SHEET.
3. ALL TUBING TO BE SECURED AT 1200 INTERVALS MAXIMUM WITH CLAMP 10495-01-000 OR CLIP 9151-01-000 AND SCREW G67-10-12B.
  2. TUBING TO BE INSTALLED WITH SUFFICIENT SLOPE TO PROVIDE DRAINAGE TO NEAREST VALVE.
  1. PLASTIC FITTINGS TO BE SEALED WITH SEALANT 84456-01-000.

NOTES:

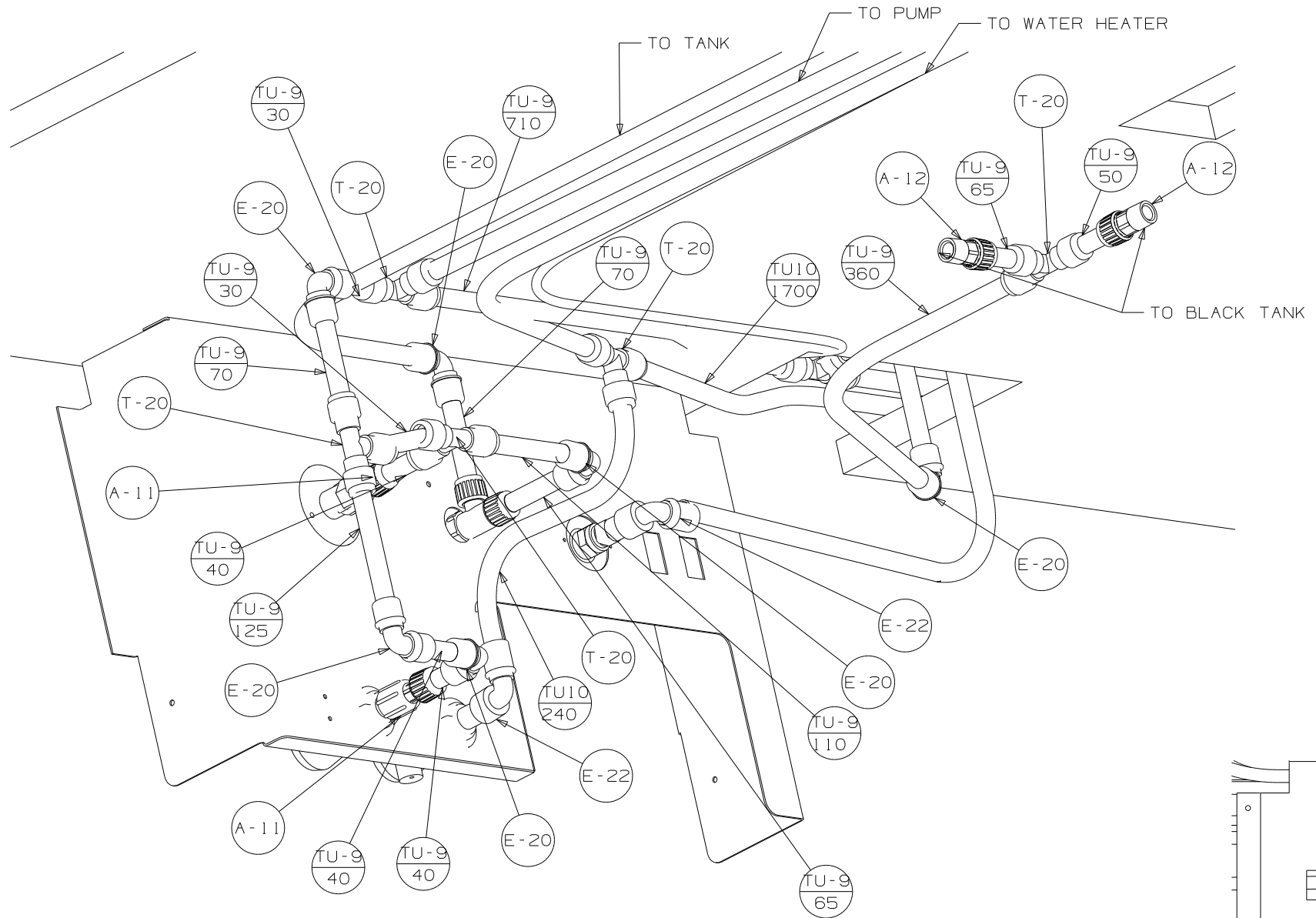
<b>WINNEBAGO</b>		COPYRIGHT 2005 WINNEBAGO INDUSTRIES, INC.	
DFTR	ORIG. DATE	ALL DIMENSIONS ARE IN MILLIMETERS	
CHKR		FIRST USED	
P.E.		05 F31W	
M.E.		UNSPECIFIED TOLERANCES ARE:	
DSNR		MATERIAL:	
		WHOLE DIM (X) :	7
		ONE-PLACE (X.X) :	
		TWO-PLACE (X.XX) :	
		ANGLE :	
THIRD ANGLE PROJECTION		DO NOT SCALE DRAWING	
TITLE: WATER SYSTEM INSTL			
SHEET 1 OF 4		PART NO 150905	
REF: 147407 1/27/2005			

X-X

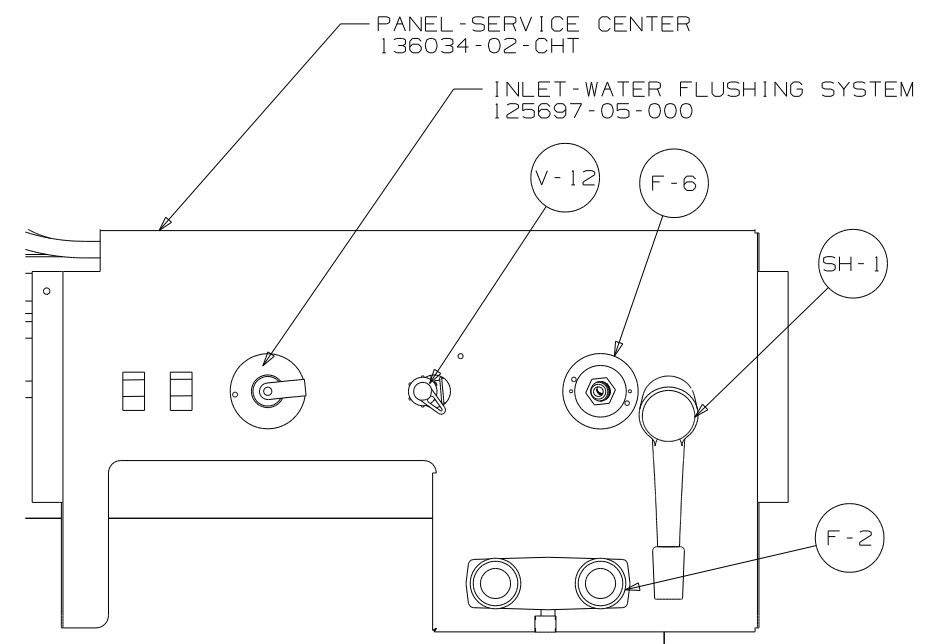
FOR  
WATER  
CALLOUTS  
SEE DWG NO  
116230-01-000



FIRST USED	05 F31W
TITLE	DO NOT SCALE DRAWING
SHEET 2	PART NO 150905
	1 1/27/2005



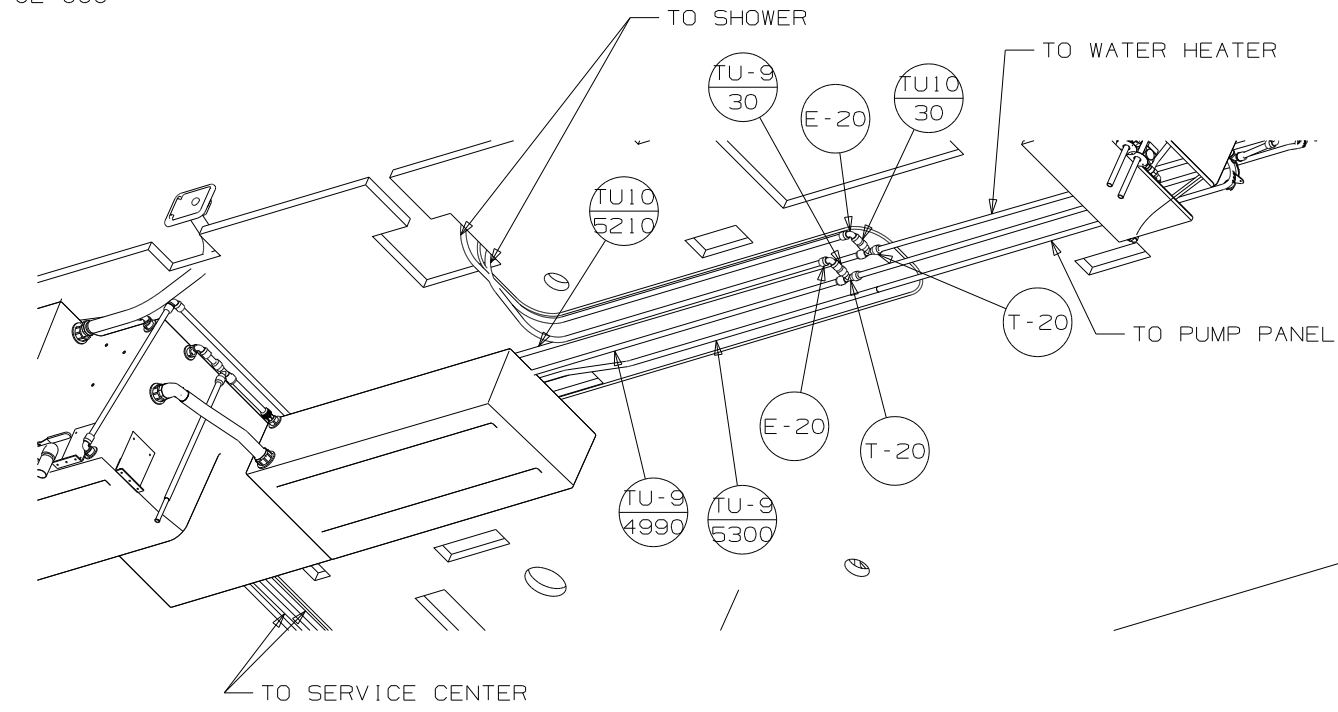
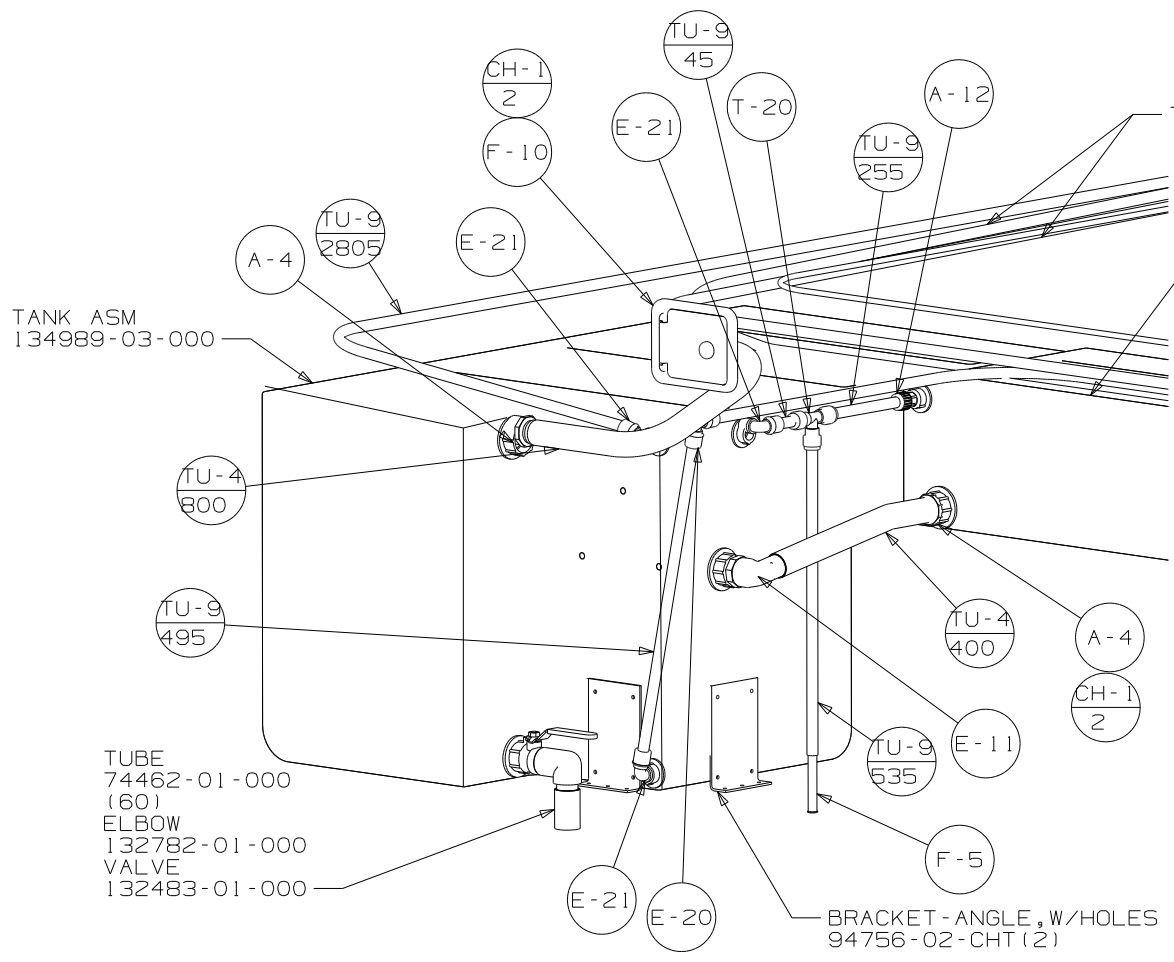
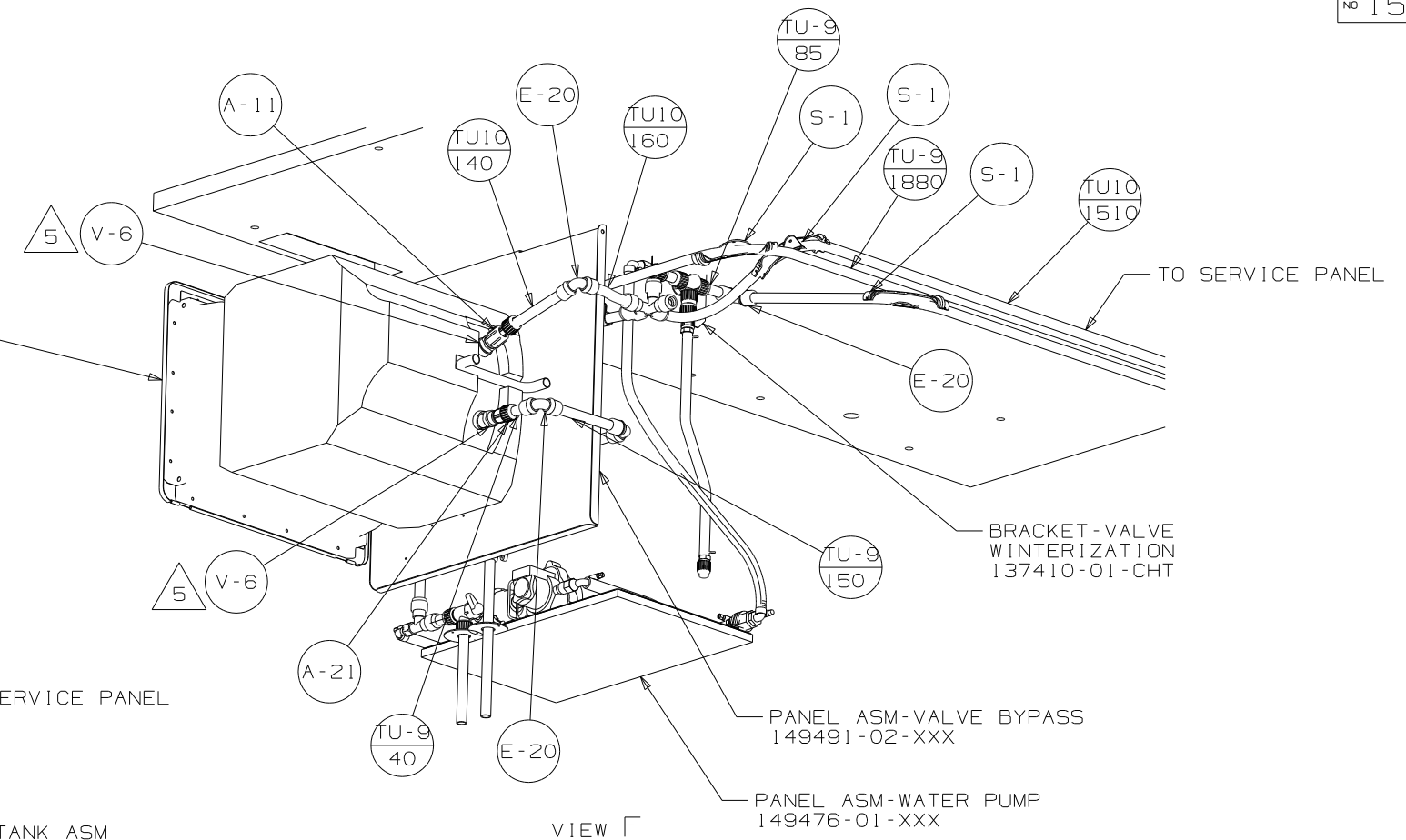
VIEW D



VIEW E

FIRST USED	05 F31W
TITLE	DO NOT SCALE DRAWING
	WATER SYSTEM INSTL
SHEET 3	PART NO 150905

- (611) WATER HEATER  
51393-01-000
- (53D) 145541-02-000  
DOOR  
125420-04-CHT  
BUMPER INSTL  
146507-01-000



VIEW G  
(FLOOR REMOVED)

VIEW H

FIRST USED	05 FB11W
DO NOT SCALE DRAWING	
TITLE	WATER SYSTEM INSTL
SHEET 4	PART NO 150905